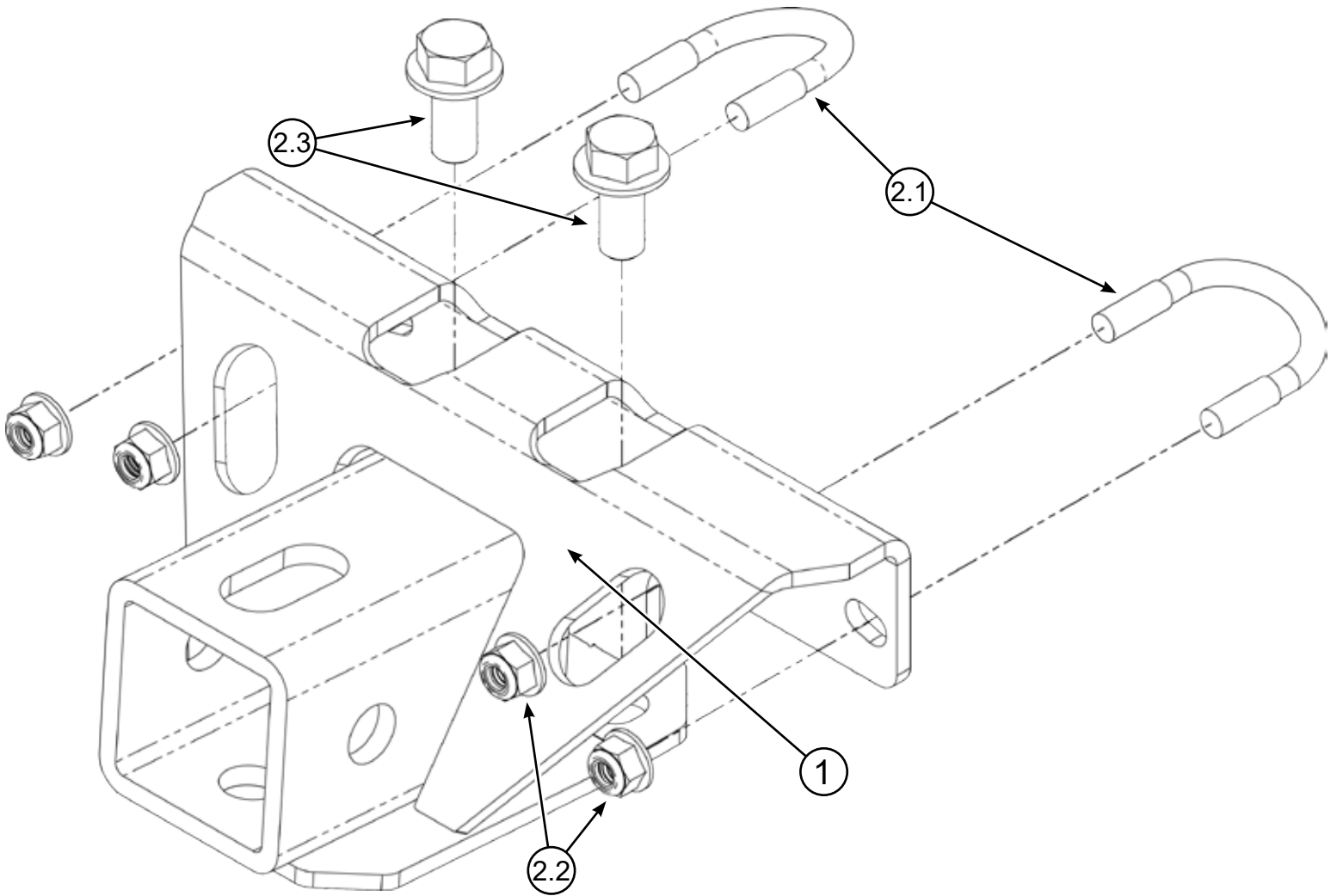


KAWASAKI BRUTE FORCE

Rear Receiver PART #100835

Kit Components:		
Item #	Qty.	Description
1	1	Brute Force Rear Receiver Weldment
2	1	Hardware Kit HK-425
2.1	2	5/16"-18 x 1.25" x 1.75" x .75" Thread U-Bolt
2.2	4	5/16"-18 Hex Nut Flange Nylock GR5
2.3	2	M12-1.25 x 25 Hex Bolt Flange GR8.8



INSTALLATION INSTRUCTIONS

Note: Make sure all hardware needed to complete this mount is in the package. Thoroughly read through and understand the instructions before installing.

1. Remove the OEM hitch by removing the 2 bolts (A), as shown in **Figure 1**. Discard bolts (A).
2. Place receiver (1) in place of the OEM hitch and use the 2 included bolts (2.3) to secure the receiver in place using the OEM hitch bolt locations. **Figure 2**.
3. Once those bolts are in place, you can put the U-Bolts (2.1) around the frame bars and through the receiver (1), secure with 4 nuts (2.2). **Figure 2**.
4. Once all hardware is in place, you can fully tighten all hardware.

