

# 2” RECEIVER WINCH MOUNT

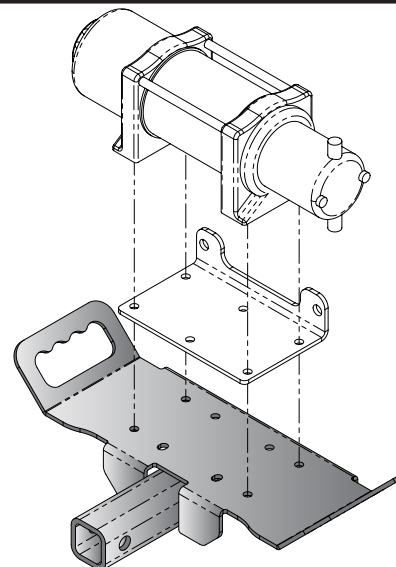
Winch Mount            PART # 100620  
                                 Hardware Kit: HK-031

## Kit Components:

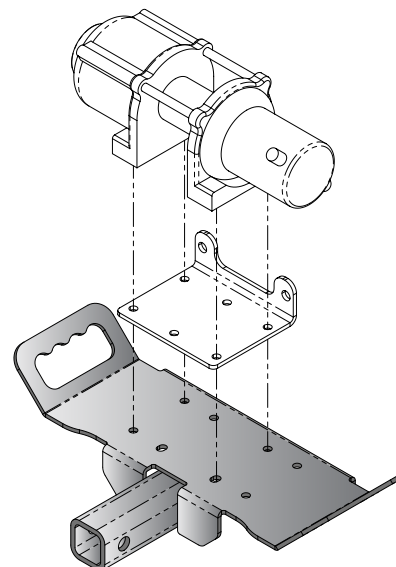
Qty.	Part Description
1.....	Receiver Mount
1.....	UTV Mini Rocker Kit (HK-031)

## 4-HOLE MOUNTED WINCH INSTALLATION INSTRUCTIONS:

1. Mount your hawse or roller fairlead to your fairlead bracket with the hardware that was supplied with your winch kit. (not included)
2. Mount your winch (not included) and fairlead bracket assembly (not included) to the receiver mount using the hardware that was supplied with your winch kit as shown in Figure 1 or 2.
3. Using the instructions provided with your winch and/or the instructions provided with your multi-mount wiring kit, wire accordingly.



“Figure 1” Wide Winch Install



“Figure 2” 4 Hole Winch Install

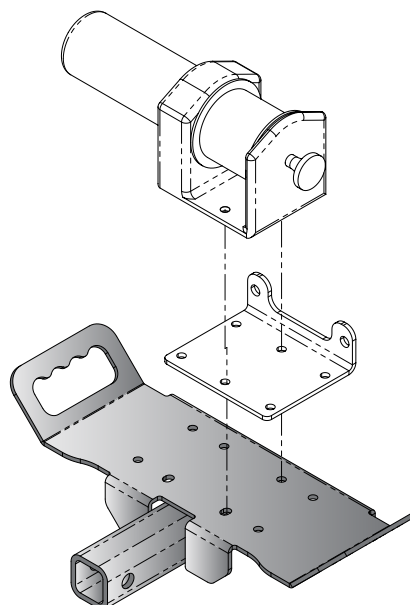
## 2-HOLE MOUNTED WINCH INSTALLATION INSTRUCTIONS:

1. Mount your hawse or roller fairlead to your fairlead bracket with the hardware that was supplied with your winch kit. (not included)
2. Mount your winch (not included) and fairlead bracket assembly (not included) to the receiver mount using the hardware that was supplied with your winch kit as shown in Figure 3.

*NOTE: Some 2-hole mounted winches may have the motor on the opposite side as shown in Figure 3. Simply use the holes on the opposite side of the receiver mount for installation.*

3. Using the instructions provided with your winch and/or the instructions provided with your multi-mount wiring kit, wire accordingly.

See Page 2 for mini rocker mounting instructions.

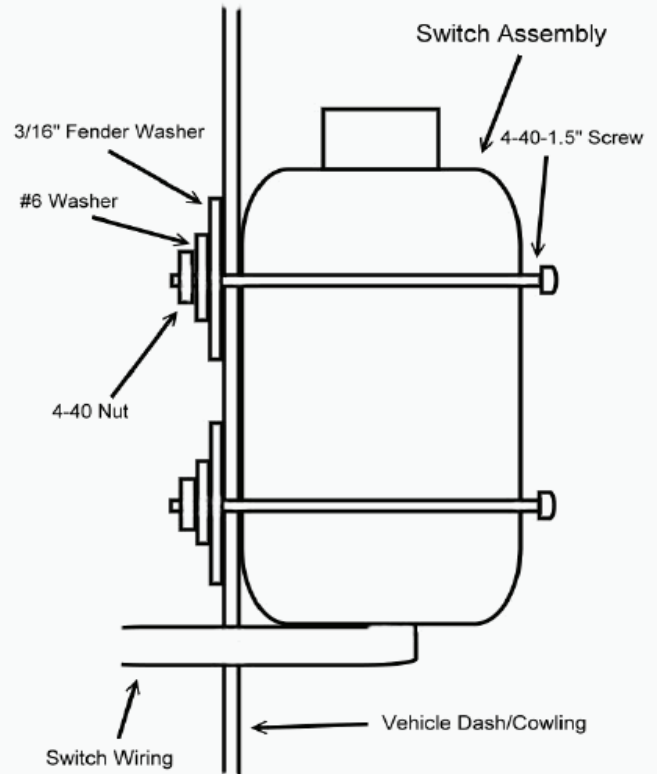


“Figure 3” 2 Hole Winch Install



## Mini-Rocker Switch Mounting

1. Find a location that suits your purposes for the mini-rocker switch and hand remote.
2. Mini-Rocker Switch Hardware kit. This allows you to mount your usual handle bar mounted switch to almost any desired location.
  - a. Remove handlebar mount hardware from the switch.
  - b. Locate desired mounting location
  - c. Mark and drill two switch holes through dash using switch housing as a template
  - d. Drill a 3rd hole for the switch wiring.
  - e. Assemble per Figure 4.



### Optional Switch Mount Instructions\*

*"Figure 4" Mini-Rocker Mounting*