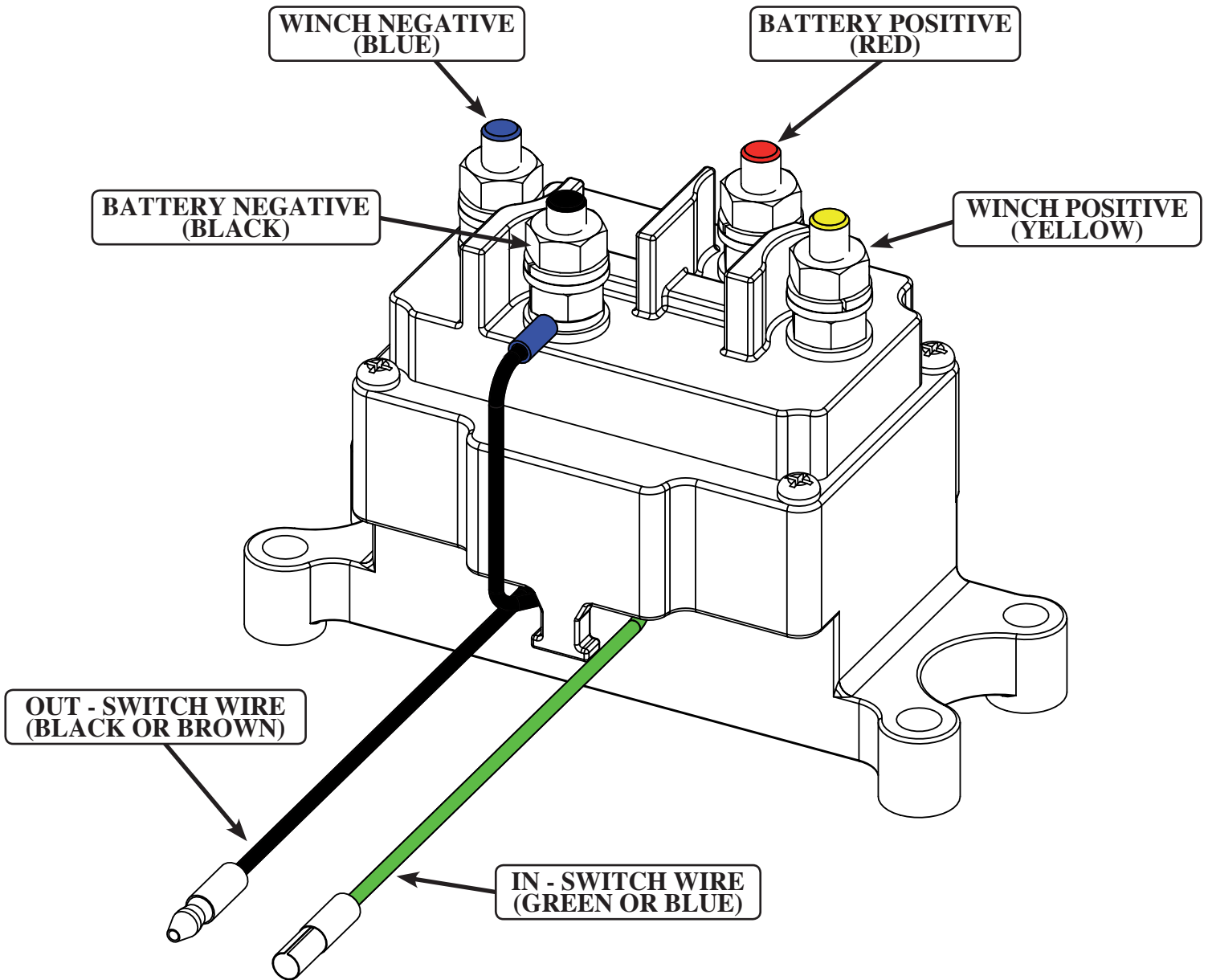




# CONTACTOR TROUBLESHOOTING GUIDE

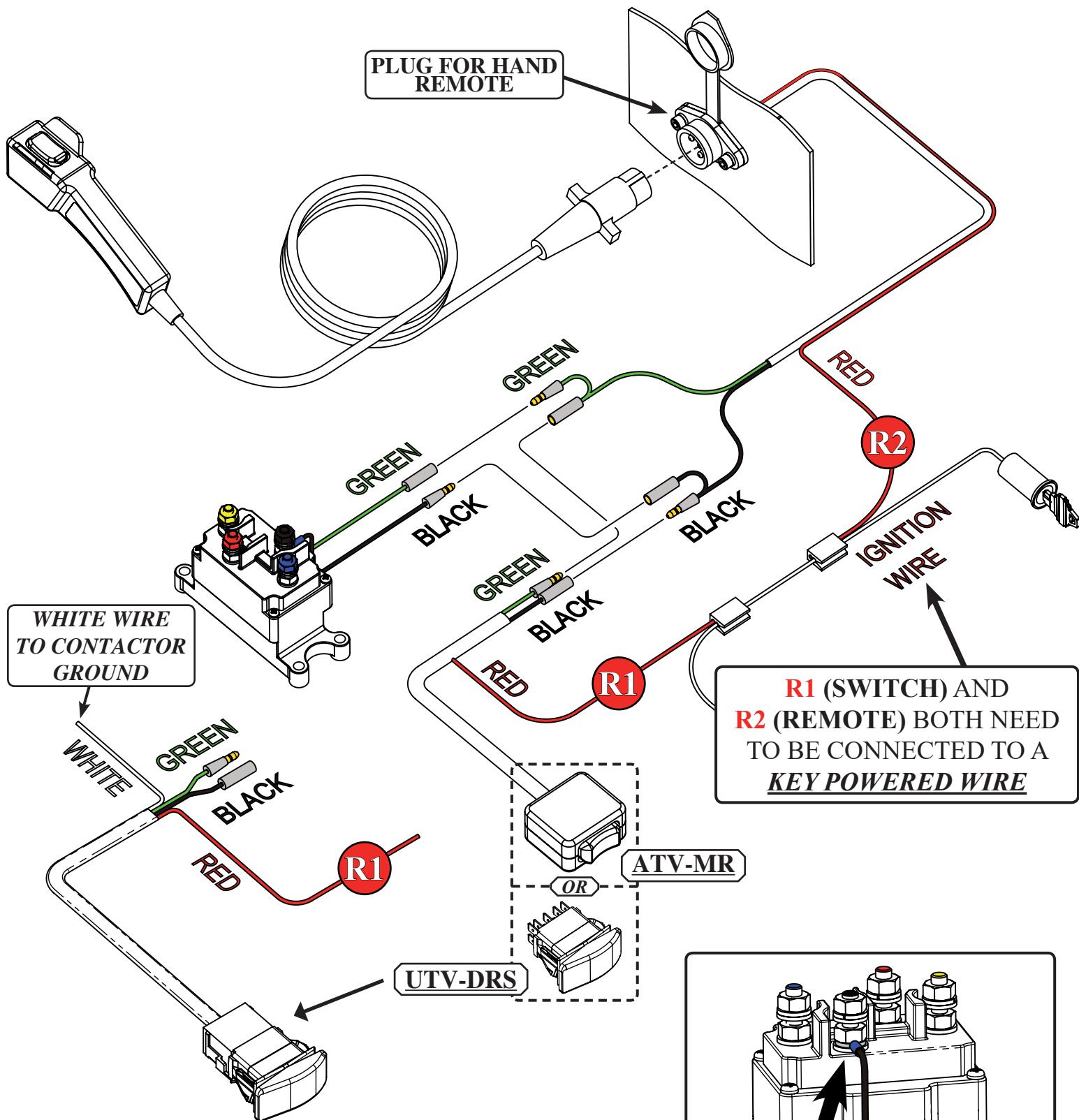


THIS STEP BY STEP TROUBLESHOOTING GUIDE WILL HELP YOU TEST YOUR CONTACTOR TO SEE IF IT IS FUNCTIONING PROPERLY.

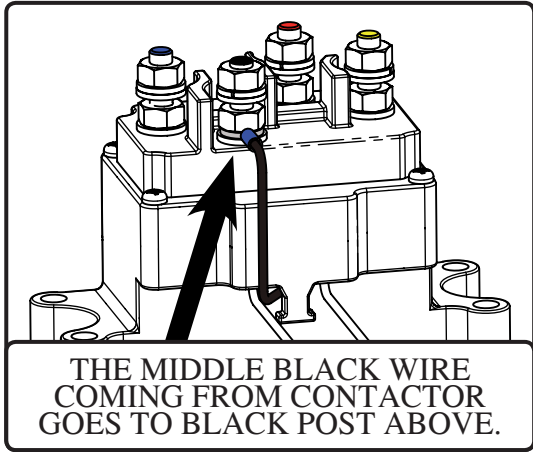
## **TOOLS RECOMMENDED:**

- *TEST LIGHT AND/OR VOLTMETER*
- *SMALL JUMPER WIRES*

# IS THE SWITCH WIRED CORRECTLY?



**R1 (SWITCH) AND R2 (REMOTE) BOTH NEED TO BE CONNECTED TO A KEY POWERED WIRE**

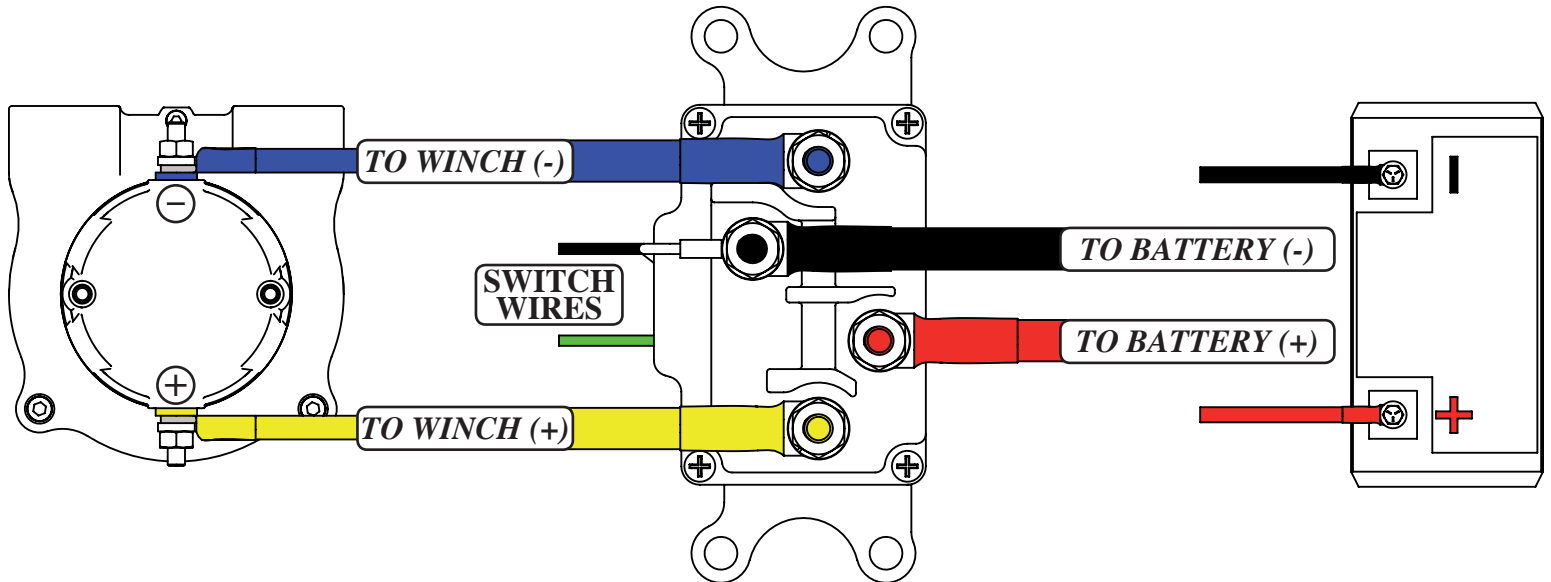


*When using the **UTV-DRS**, the connections will all be the same except for a white wire. It is the ground for the LED bulb inside the switch. **The white wire needs to be hooked up to contactor ground.***

# WHICH WIRING LAYOUT DO YOU HAVE?

## STANDARD WIRING LAYOUT

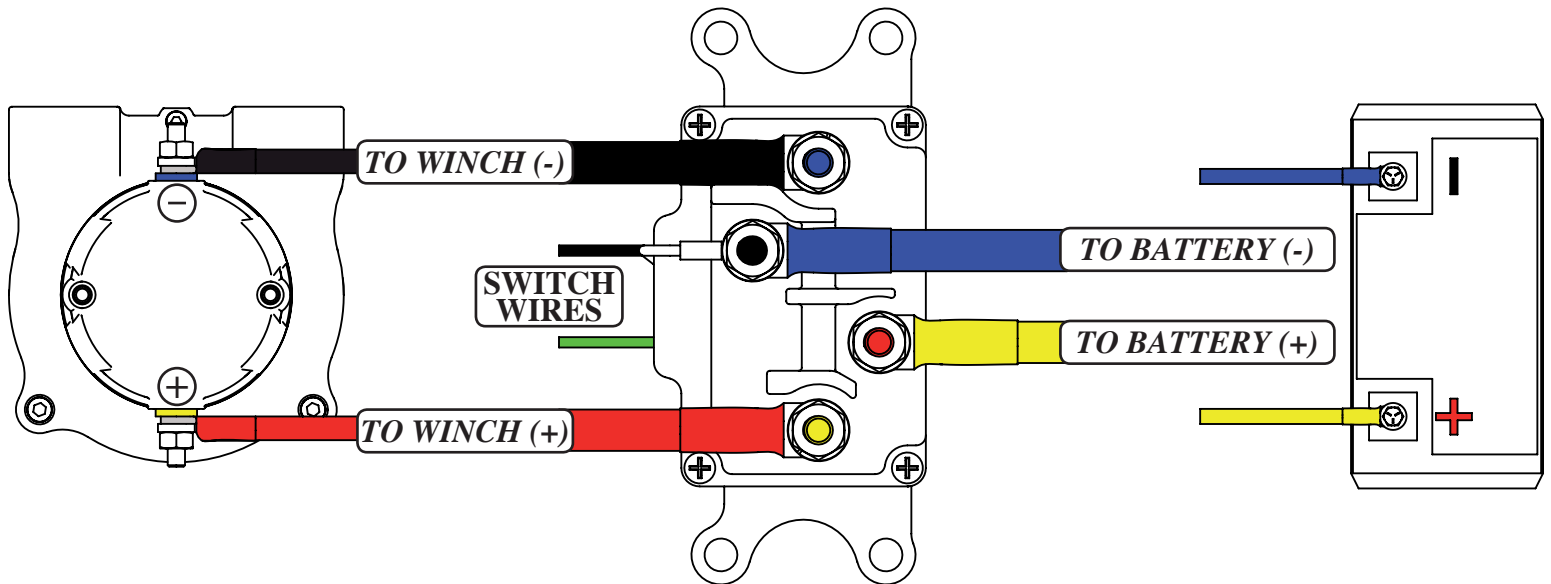
KFI uses color coding to help make wiring easy. Standard wiring layout matches the color on the wires to the color on the posts for the winch, contactor, and battery.



OR

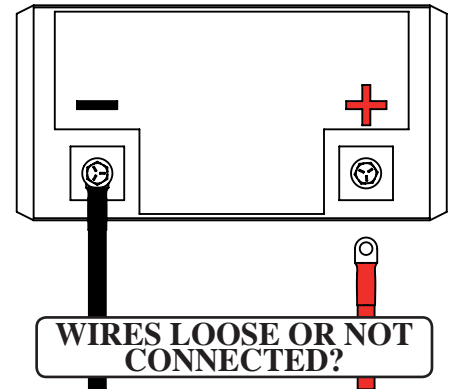
## ALTERNATIVE WIRING LAYOUT

Alternative wiring layout is used on applications where the contactor cannot be located close to the vehicles battery.

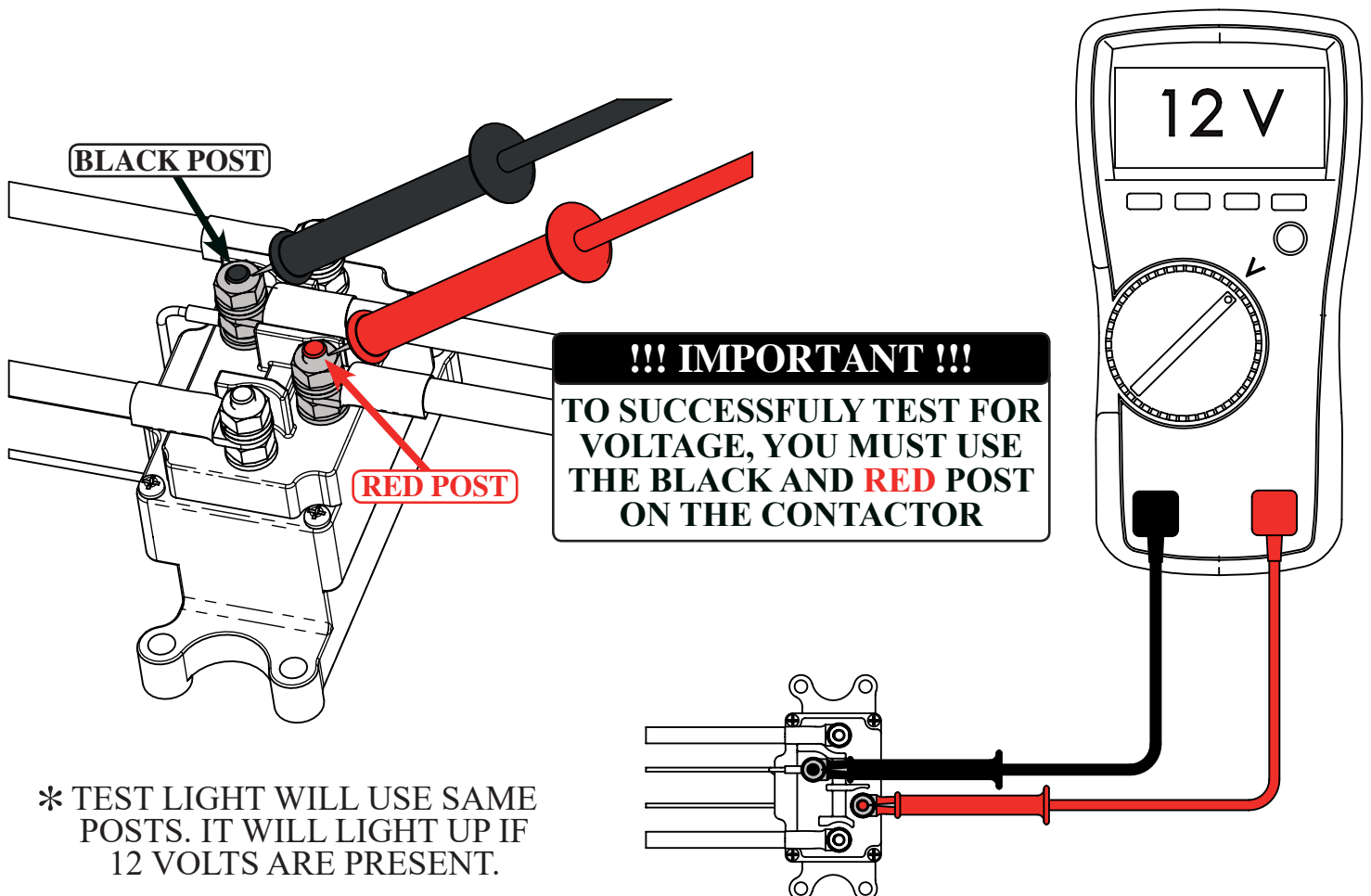


*The longer (Blue and Yellow) wires will be used to go from the contactor to the battery instead of the contactor to the winch. The shorter (Red and Black) wires will be used to go from the contactor to the winch.*

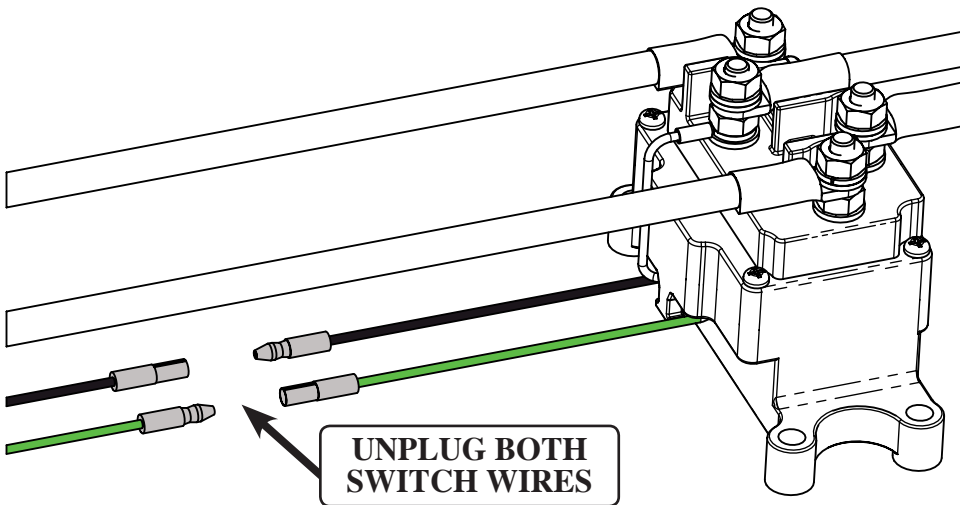
1. Compare the wiring on your machine to the previous diagrams.
  - *Be sure all wires are hooked up correctly.*
  - *Check that all nuts are tight and plugs for the switch are fully connected.*
  - *Check for damaged, corroded, or exposed wires.*



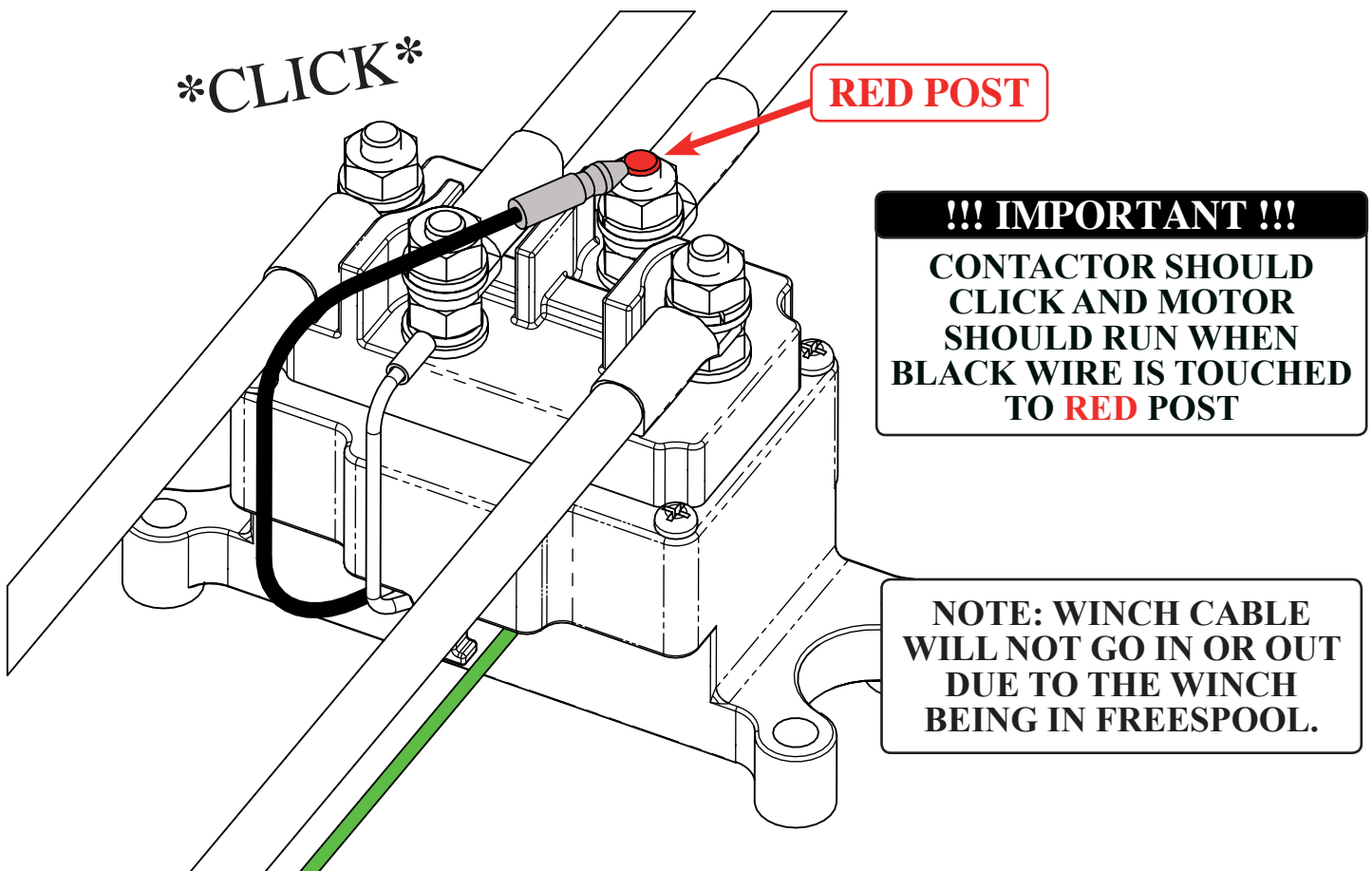
2. Check that there are 12 volts coming to the contactor from the battery. This can be done using a test light or a voltmeter. Use the red and black post on the contactor to measure voltage.



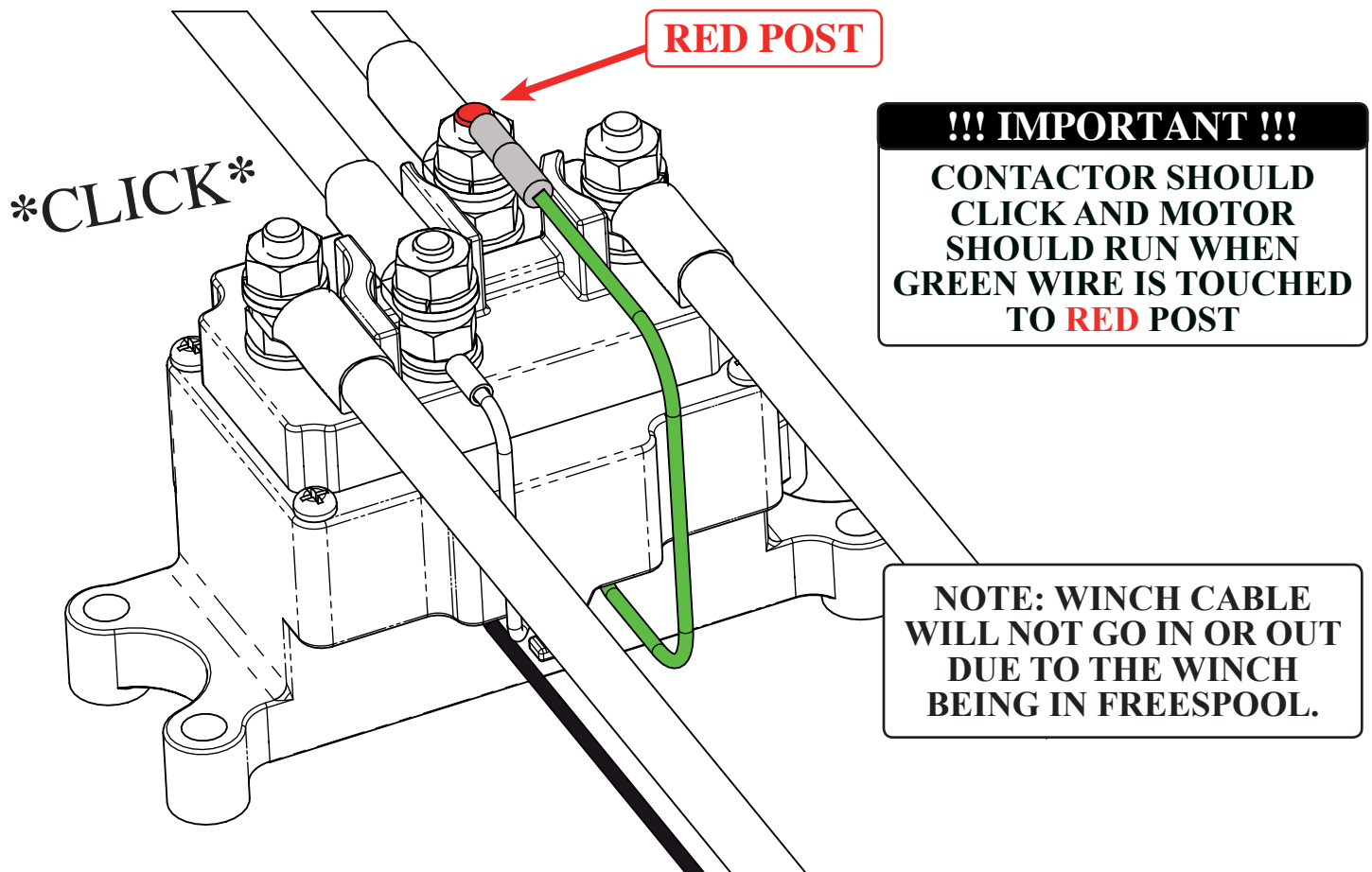
3. If there are 12 volts going to the contactor and it is still not clicking, contactor testing can begin. To do this, unplug the green and black switch wires. ***\*Be sure the winch is in free spool before starting any testing.\****



4. With power still going to the contactor, take the black (*OUT*) wire (from the contactor) and touch it to the red post on the contactor. It should make a clicking sound and operate the winch motor.



5. Now repeat the same step with the green (*IN*) wire (from the contactor). Touch it to the red post on the contactor. It should make a clicking sound and operate the winch motor.



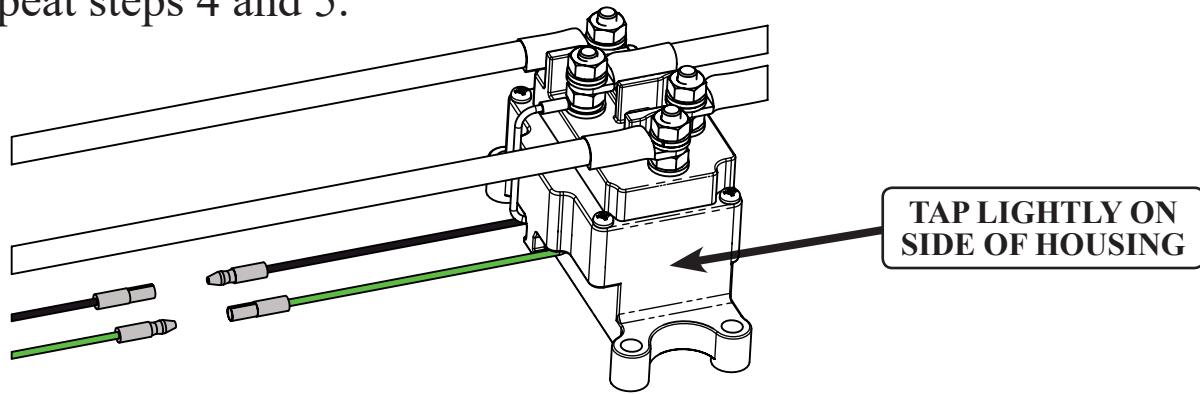
6. If the contactor clicks and the winch motor moves with both steps 4 and 5, the contactor is working properly. If the winch will not operate after the switch is reconnected, compare wiring to diagram on page 2. If wiring is correct, the switch is bad.

7. If the contactor clicks and the winch motor does not move, refer to:

## *Winch Motor Troubleshooting Guide*

The troubleshooting guide walks through the process of testing the winch motor to see if it is operating correctly.

8. If the contactor does not click and the winch motor does not move (or only works in one direction), try tapping contactor on the side of the housing. Then repeat steps 4 and 5.



9. If step 7 and 8 continue to be unsuccessful and the contactor does not click, contact KFI Products for further technical assistance.

**Tech Support #: 1-877-346-2050 OPT. 2**  
**Tech EMAIL: Tech@KFIproducts.com**

10. The technical support may ask for the serial number from contactor along with a proof of purchase. This can be found on the bottom of the contactor as shown in the images below.

