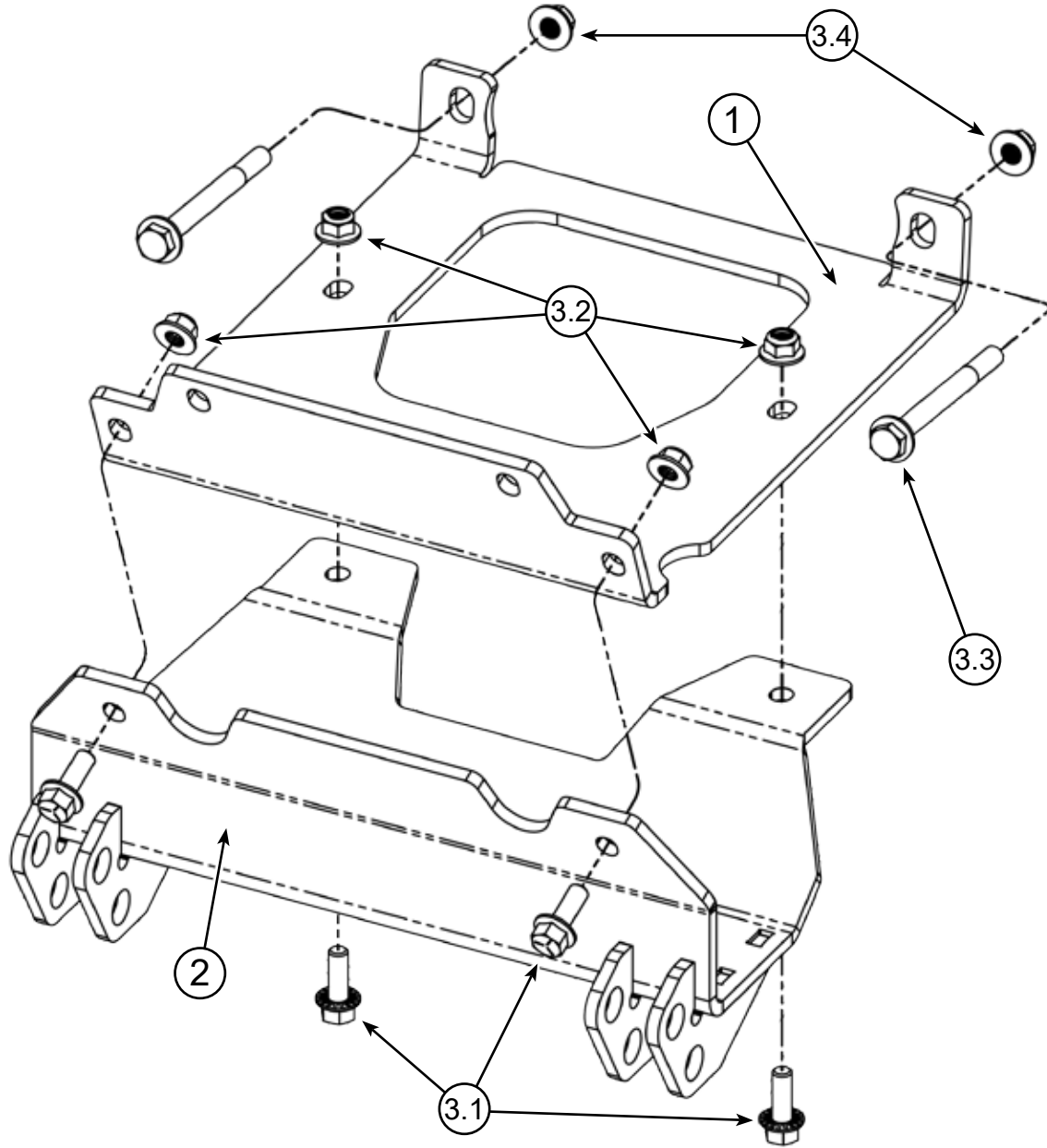


POLARIS RZR XP 1000

Plow Mount PART #106610



Kit Components:

Item #	Qty.	Description	Item #	Qty.	Description
1	1	Frame Mount	3.2	4	3/8"-16 Hex Nut Flange Nylock GR5
2	1	Plow Mount	3.3	2	M10-1.25 X 100 Hex Bolt Flange GR10.9
3	1	Hardware Kit HK-435	3.4	2	M10-1.25 Hex Nut Flange Nylock
3.1	4	3/8"-16 X 1.00" Hex Bolt Flange Serrated GR5			



INSTALLATION INSTRUCTIONS

Note: Make sure all hardware needed to complete this mount is in the package. Thoroughly read through and understand the instructions before installing.

1. The winch mount for this machine must be installed before the plow mount can be installed. The front plastics shown in **Figure 1** will already be removed and will not be reinstalled.
2. Locate the front lower bolts (A) shown in **Figure 1**, and remove them from the machine. This hardware will be reused.
3. Safely jack up the machine to take the pressure off of the A-Arms. Remove the rear bolts (B) from the lower A-Arms as shown in **Figure 1**. This hardware will not be reused.
4. Place the Frame Mount (1) on the machine as shown in **Figure 2** and loosely secure the front with Bolts (A), removed in Step 1.
5. Install bolts (3.3) through the Frame Mount (1) and through the original locations on the lower A-Arm as shown in **Figure 3**. Complete on both sides and secure with nuts (3.4) *Not Shown*.
6. Tighten hardware evenly according to manufactures specification
7. Use hardware (3.1 and 3.2) to attach Plow Mount (2) onto the Frame Mount (1) as shown in **Figure 4** and the **Exploded Diagram** on the front page.

Note: Plow Mount (2) is designed to be removed in the off season so you don't lose ground clearance.

8. Tighten Hardware (3.1 and 3.2) evenly.

