



RoHS  
COMPLIANT



PATCHING SYSTEMS

AUDIO, VIDEO, SERIAL DATA

600 WEST ELK AVENUE  
GLENDALE, CA. 91204

TEL 818 500-8142

FAX 818 500-7062

WWW.BITTREE.COM

DATA CONTAINED IN THIS DOCUMENT  
IS PROPRIETARY AND SHALL NOT BE  
DISCLOSED, COPIED OR USED FOR  
PROCUREMENT OR MANUFACTURE  
WITHOUT EXPRESS WRITTEN PERMISSION  
OF BITTREE INCORPORATED

DWG. NO.: 32S1MWTHDRE.DWG

PART NO.: G32S1MWTHD

DESIGNATION: DS870-10

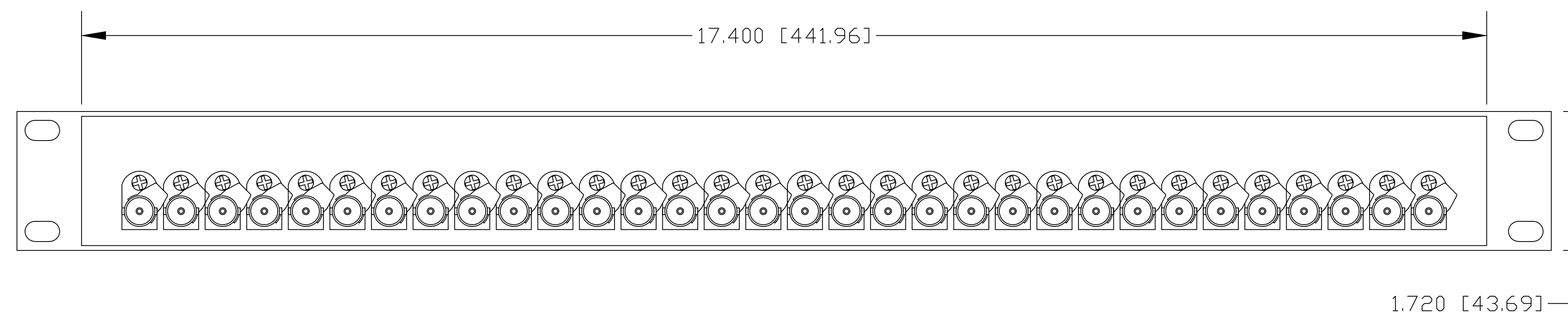
LAYER (DS\_INSERT) IS PROVIDED  
FOR THE CREATION OF LEGEND  
STRIPS FOR THIS PATCHBAY. THE  
RED OUTLINE MATCHES THE SIZE  
OF INSERT.  
PLEASE NOTE THE VIEWABLE AREA  
IS LISTED IN NOTES BELOW THE  
FRONT PANEL VIEW.

DWG. SCALE: FULL

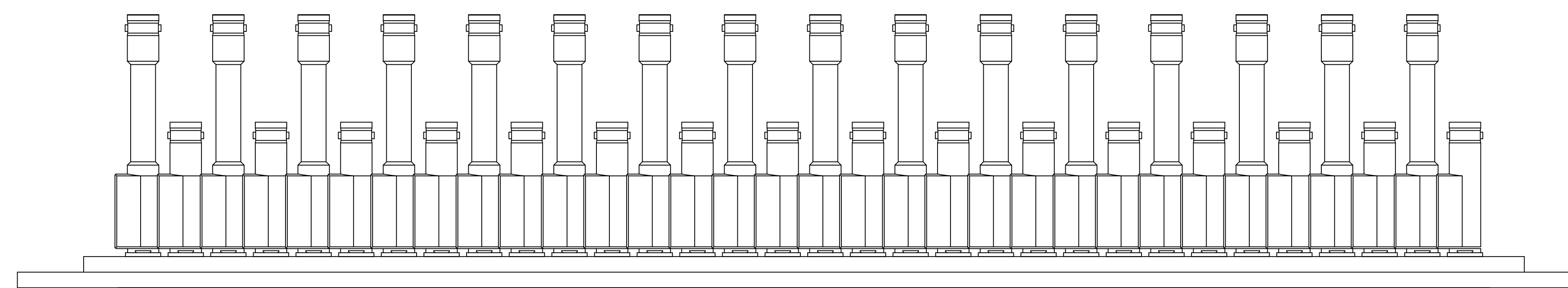
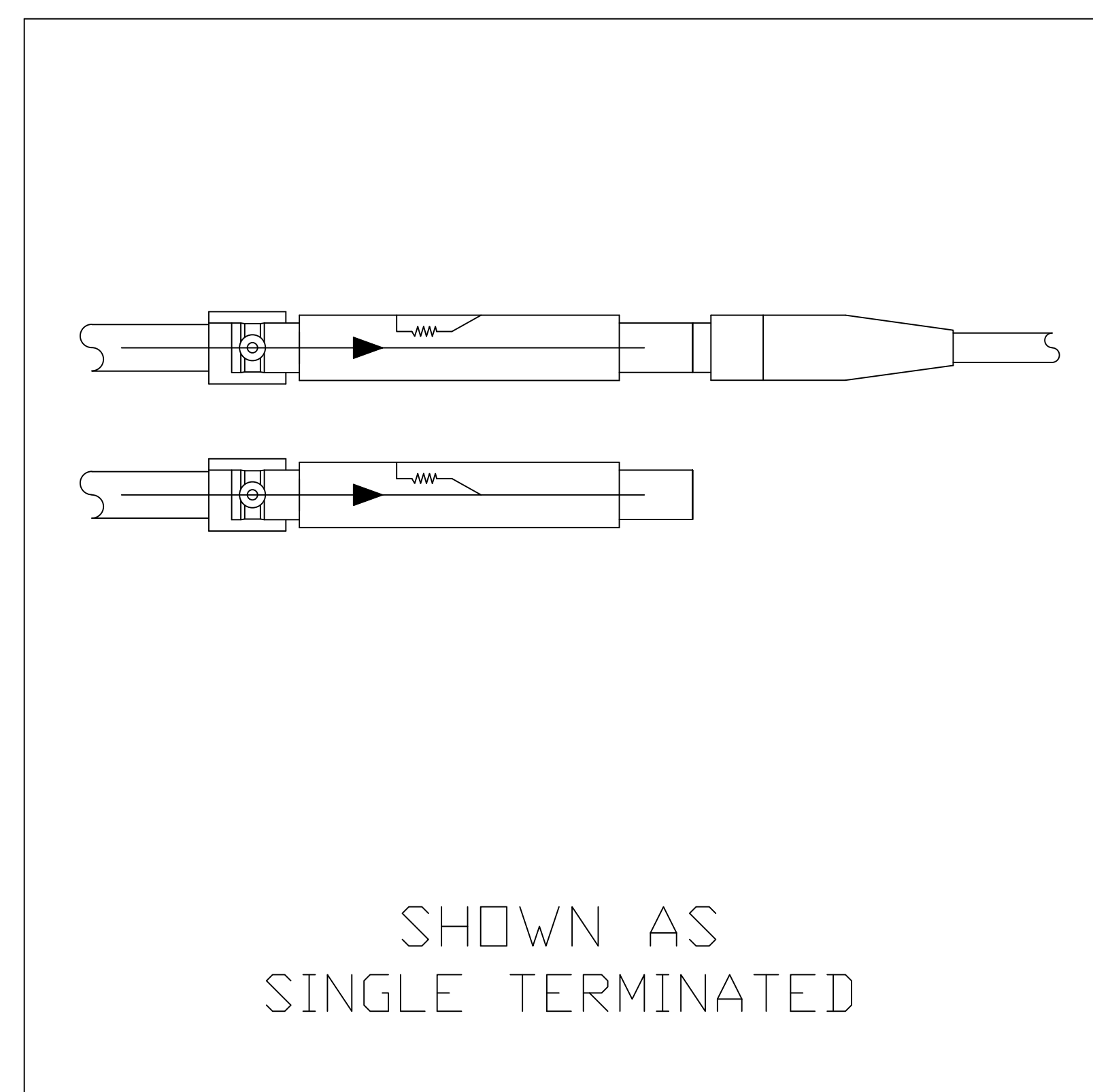
PDF. SCALE: NONE

ALL POSSIBLE CARE HAS BEEN TAKEN IN  
PREPARING THIS SET OF DRAWINGS.  
STATEMENTS AND SPECIFICATIONS ARE  
BELIEVED TRUE BUT CANNOT BE  
GUARANTEED AND THEREFORE WE ARE  
NOT RESPONSIBLE FOR ANY  
INACCURACIES. THIS DOCUMENT SHOULD  
BE USED AS THE BASIS FOR DESIGN OR  
TO ESTABLISH SPECIFICATION LIMITS.

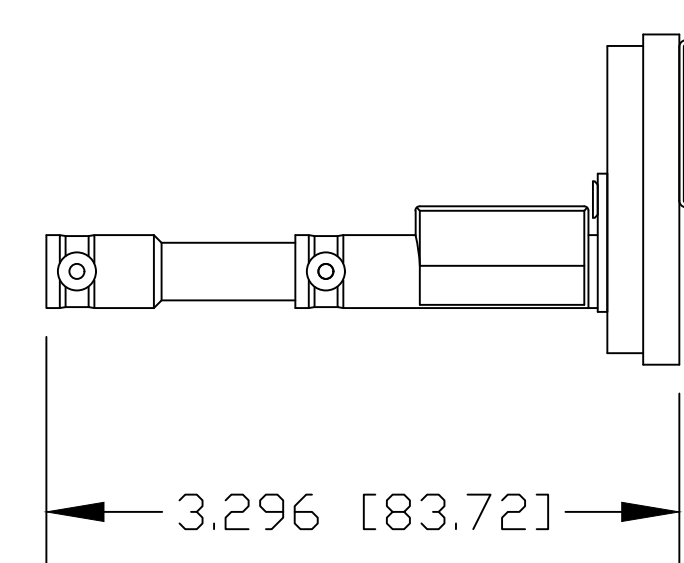
BITTREE RESERVES THE RIGHT TO  
CHANGE OR ALTER SPECIFICATIONS OR  
MATERIALS WITHOUT NOTICE. PROVIDED  
THE FUNCTION AND PERFORMANCE OF  
THE PRODUCT REMAINS REASONABLY  
SIMILAR OR IS IMPROVED.



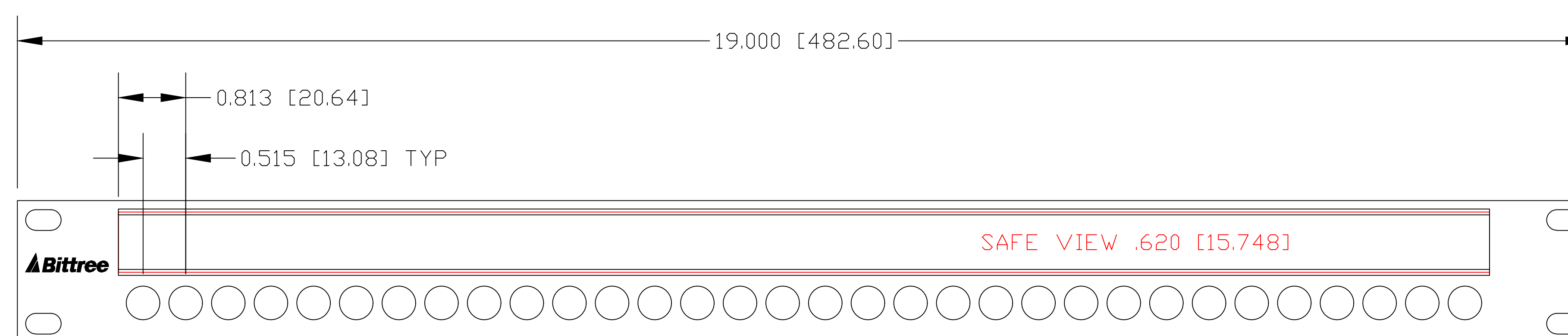
REAR VIEW



TOP VIEW



SIDE VIEW



FRONT VIEW

DESIGNATION HOLDER: DS800-10/S, .800 [20.320]x16.56 [420.624] Stainless Steel  
CLEAR LEXAN INSERT: DS800-10/P, .725 [18.45]x16.56 [420.624]  
PAPER INSERTS: DS800-10/D, .795 [18.415]x16.56 [420.624]

NOTE: Ds\_insert Layer is a scaled 1:1 label insert outline

REV.:

DATE: 9/18/2017

BY: G.S.

CHANGES: