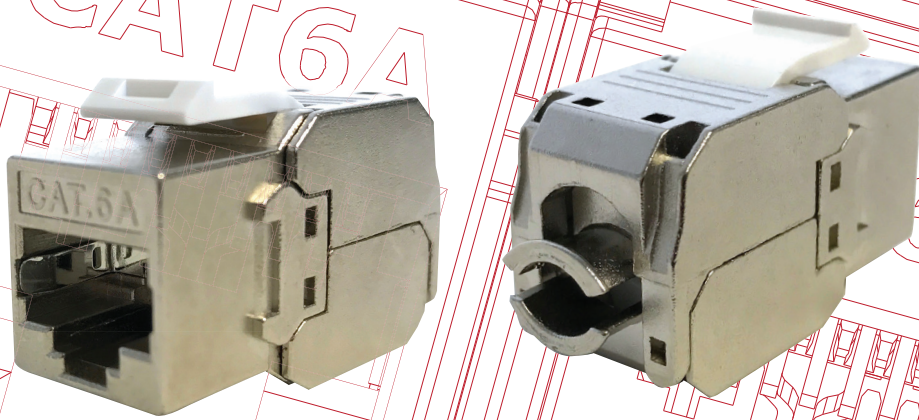


DSKI-CAT6AS

CAT6A 180 DEGREE SHIELDED JACK



- Cat. 6A 4 connector channel compliant
- Die-Cast Housing, effective protection from EMI & Alien crosstalk
- Features Tool-less design, requiring no impact tool
- A 110 punchdown tool can be used as an alternative termination technique
- Slim design allows high-density population
- Nylon cable tie included

MATERIAL

Keystone Jack Housing: Zinc alloyed ZAMAC3
Spring wire: Phosphor bronze with 50u" gold plated over nickel undercoat
Contact holder: Polycarbonate, UL94V-2
Wire organizer: Polycarbonate + glass fiber, UL94V-2
IDC housing: Polycarbonate + glass fiber, UL94V-2
IDC contact: Phosphor bronze with tin plated over nickel undercoat
Grounding clip: Stainless steel
PCB: FR-4, UL94V-0

PHYSICAL SPECS

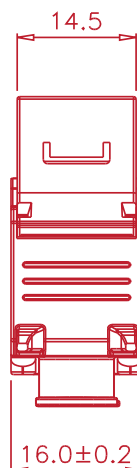
Mating: 750 mating cycles with FCC compliant RJ-45 plug
Contact force: 100 grams with FCC compliant RJ-45 plug
Plug retention force: 11 lbf. minimum
Contact compatibility: accommodates 23 to 26 AWG solid
Operating temperature/operating humidity: 32°~115°f, 10%~90%RH
Storage temperature: -32°~105°f

ELECTRICAL SPECS

Insulation resistance: 500mΩ
Dielectric withstanding voltage: 1000VAC
DC current rating: 1.5 Amps
DC resistance: 0.1Ω
Contact resistance: 20mΩ

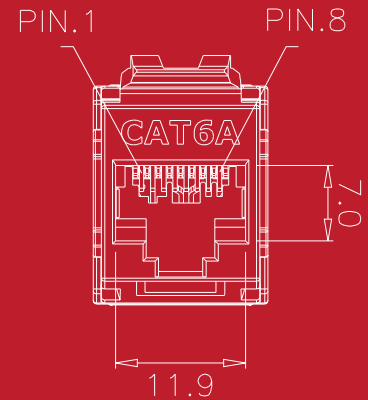
VERIFICATION

ANSI/TIA-568-C.2 Cat.6A channel compliant
ISO/IEC 11801 Class EA channel compliant
ISO/IEC60603-7
FCC part 68, Subpart F
UL 1863
RoHS directive 2011/65/EC

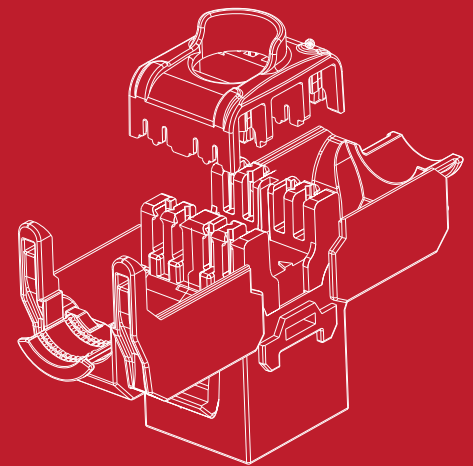


Bittree

High-Performance Patching Systems



- Suppressed internal magnetic coupling up to bandwidth of 500MHz
- 180 degree design
- Die-cast housing provides excellent EMI, RFI, and AXT suppression



Bittree, Inc.
600 W Elk Ave,
Glendale, CA 91204 USA



Bittree.com