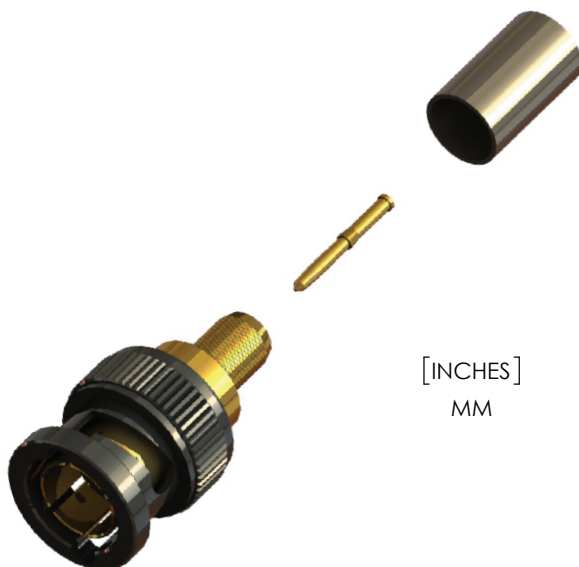
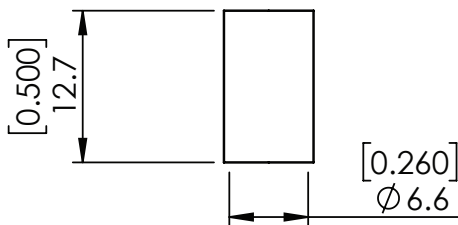
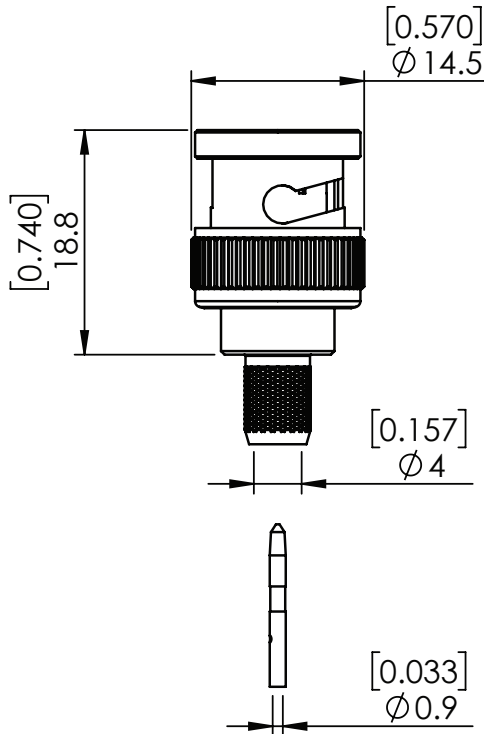


BNC CONNECTORS

BNC STRAIGHT CRIMP/CRIMP PLUG

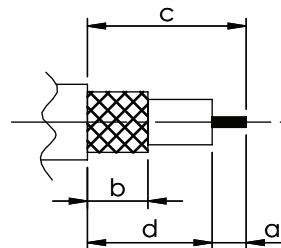


[INCHES]
MM

Suitable for Cables:

Belden 1505A, 4505R

Stripping Dimensions



a = 4.0 mm [0.1575"]
b = 8.0 mm [0.3150"]
c = 16.0 mm [0.6299"]
d = 12.0 mm [0.4724"]

* CUT FOIL TO DIM. "b"

Tooling

Center Contact: SQ 1.07 [0.0421"] A/F Tool No: BIT550594

Crimp Sleeve: HEX 6.48 [0.255"] A/F Tool No: BIT550594

Environmental Specification

Operating Temp: -55 to +155 Deg C./ -67 to +311 Deg F.
IP Rating (Mated): IP 64

Electrical Specification

Impedance: 75 Ohm
Frequency: 0-18 GHz
Dielectric W/V: 1500 Veff
Insulation res: 5000 M-Ohm

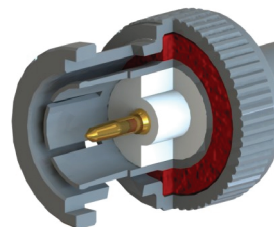
Mechanical Specification

Contact Retention: 10 N min
Cable Retention: 200 N min
Mating cycles: 500
Weight: 12.22 g

Connector Interface

image for illustration purposes only

Performance



-30.39 dB @ 3.0 GHz
-23.90 dB @ 6.0 GHz
-23.28 dB @ 12.0 GHz
-20.30 dB @ 18.0 GHz



Bittree, Inc.
600 W Elk Ave,
Glendale, CA
91204 USA



Bittree.com