



RoHS COMPLIANT

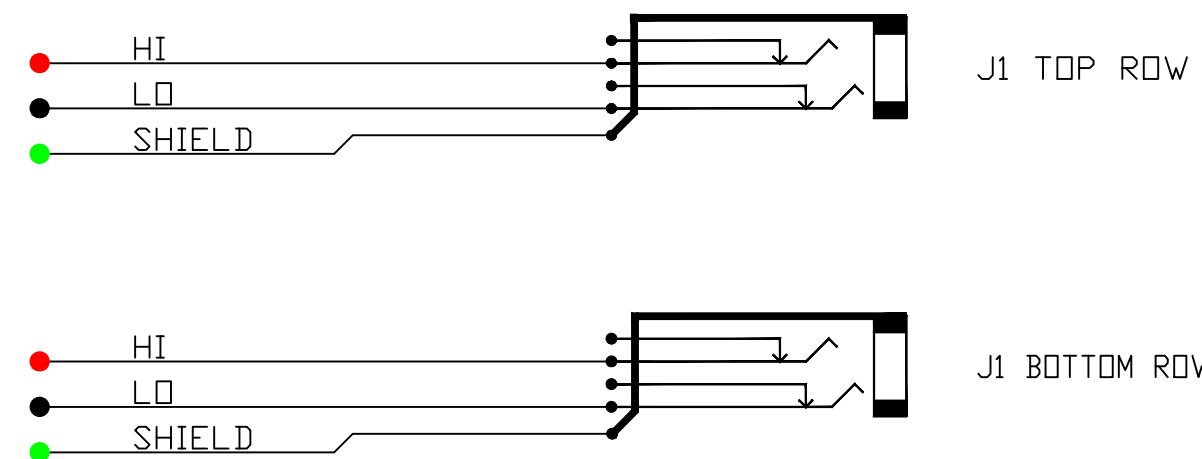


|   |  |         |
|---|--|---------|
| H |  | T (RED) |
| L |  | R (BLK) |
| S |  | S (WHT) |

IDC PUNCH DOWN  
REAR VIEW PIN-OUT

TOOLS AND ACCESSORIES PART NUMBERS

| DESCRIPTION                           | PART NUMBER |
|---------------------------------------|-------------|
| IMPACT TOOL WITH LIGHT                | PT11A       |
| REPLACEMENT IMPACT TOOL TIP           | PT2B        |
| THERMOPLASTIC HOUSINGS (BLACK)        | K51000      |
| THERMOPLASTIC HOUSINGS (RED)          | K51002      |
| THERMOPLASTIC HOUSINGS (WHITE)        | K51009      |
| CONNECTOR CONTACTS                    | K514        |
| PVC TUBING, 2.4 IN (6 CM), BAG OF 100 | PTC100      |
| REPLACEMENT HARDWARE KIT              | 961DR       |
| PROGRAMMING SHUNTS (RED)              | 382811-9    |
| PROGRAMMING SHUNTS (WHITE)            | 382811-0    |
| LACING BAR 6IN (152.4MM)              | LB-17500    |
| LACING BAR 3IN (76.2MM)               | LB175-3     |

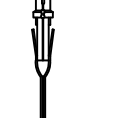
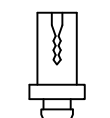


SCHEMATIC  
NON-NORMALED ISOLATED GND VIEW

IDC PUNCH DOWN

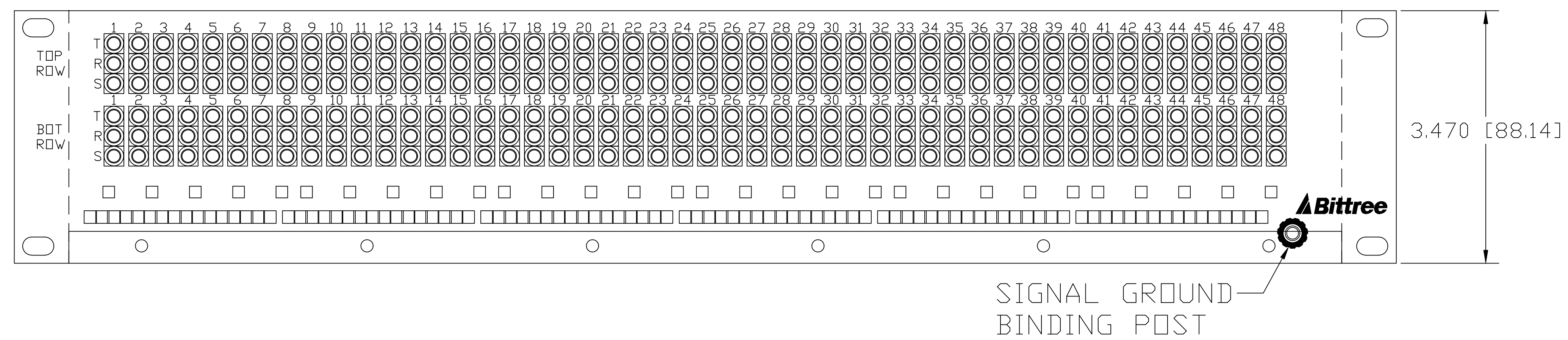
PLASTIC HOUSINGS: IDC CONTACT: K514

- K51000 (BLACK)
- K51002 (RED)
- K51003 (ORANGE)
- K51004 (YELLOW)
- K51006 (BLUE)
- K51009 (WHITE)

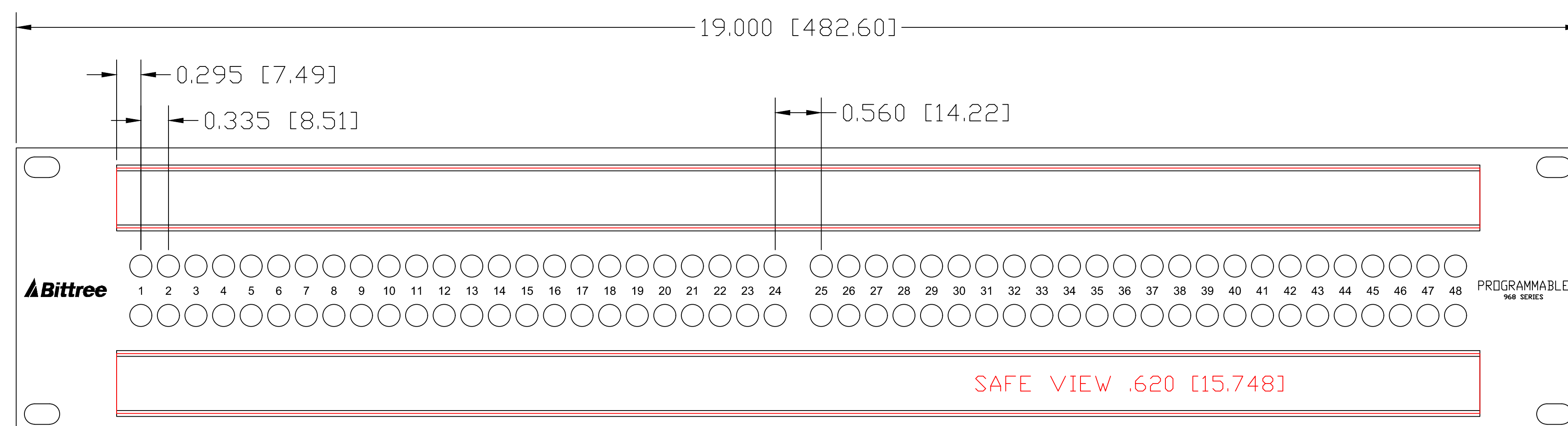


REPAIR HARDWARE KIT SUPPLIED

FOR PURCHASE OF ADDITIONAL MATING HARDWARE SEE ACCESSORIES DRAWING OR USE ABOVE PART NUMBERS



REAR VIEW



| DESIGNATION:            | PART NBR.   | DIMENSIONS                    |
|-------------------------|-------------|-------------------------------|
| STAINLESS STEEL HOLDER: | DS870-10/S, | .870 [22.098]x16.56 [420.624] |
| CLEAR LEXAN INSERT:     | DS870-10/P, | .725 [18.415]x16.56 [420.624] |
| PAPER INSERTS:          | DS870-10/D, | .725 [18.415]x16.56 [420.624] |

FRONT VIEW

NOTE: DS\_INSERT LAYER IS A SCALED 1:1 LABEL INSERT OUTLINE

# Bittree

PATCHING SYSTEMS

AUDIO, VIDEO, DATA  
600 WEST ELK AVENUE  
GLENDALE, CA. 91204  
TEL 818 500-8142  
FAX 818 500-7062  
WWW.BITTREE.COM

DATA CONTAINED IN THIS DOCUMENT IS PROPRIETARY AND SHALL NOT BE DISCLOSED, COPIED OR USED FOR PROCUREMENT OR MANUFACTURE WITHOUT EXPRESS WRITTEN PERMISSION OF BITTREE INCORPORATED

DWG. NO.:  
B96DHNIIITDM20U48BRP2

PART NO.:  
B96DH-NNIIT/ID M20U48B RP2

DESIGNATION: DS870-10-ASSY

LAYER (DS\_INSERT) IS PROVIDED FOR THE CREATION OF LEGEND STRIPS FOR THIS PATCHBAY. THE RED OUTLINE MATCHES THE SIZE OF INSERT. PLEASE NOTE THE VIEWABLE AREA IS LISTED IN NOTES BELOW THE FRONT PANEL VIEW.

DWG. SCALE: FULL

PDF. SCALE: NONE

ALL POSSIBLE CARE HAS BEEN TAKEN IN PREPARING THIS SET OF DRAWINGS. STATEMENTS AND SPECIFICATIONS ARE BELIEVED TRUE BUT CANNOT BE GUARANTEED AND THEREFORE WE ARE NOT RESPONSIBLE FOR ANY INACCURACIES. THIS DOCUMENT SHOULD BE USED AS THE BASIS FOR DESIGN OR TO ESTABLISH SPECIFICATION LIMITS.

BITTREE RESERVES THE RIGHT TO CHANGE OR ALTER SPECIFICATIONS OR MATERIALS WITHOUT NOTICE. PROVIDED THE FUNCTION AND PERFORMANCE OF THE PRODUCT REMAINS REASONABLY SIMILAR OR IS IMPROVED.

|       |                  |          |          |
|-------|------------------|----------|----------|
| REV.: | DATE: 11/10/2017 | BY: G.S. | CHANGES: |
|-------|------------------|----------|----------|