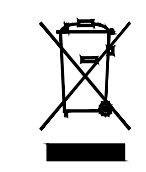


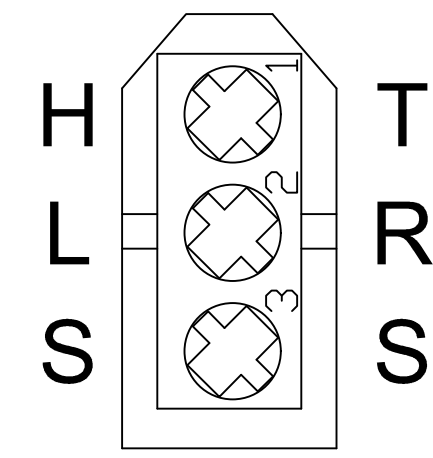


RoHS COMPLIANT



PATCHING SYSTEMS

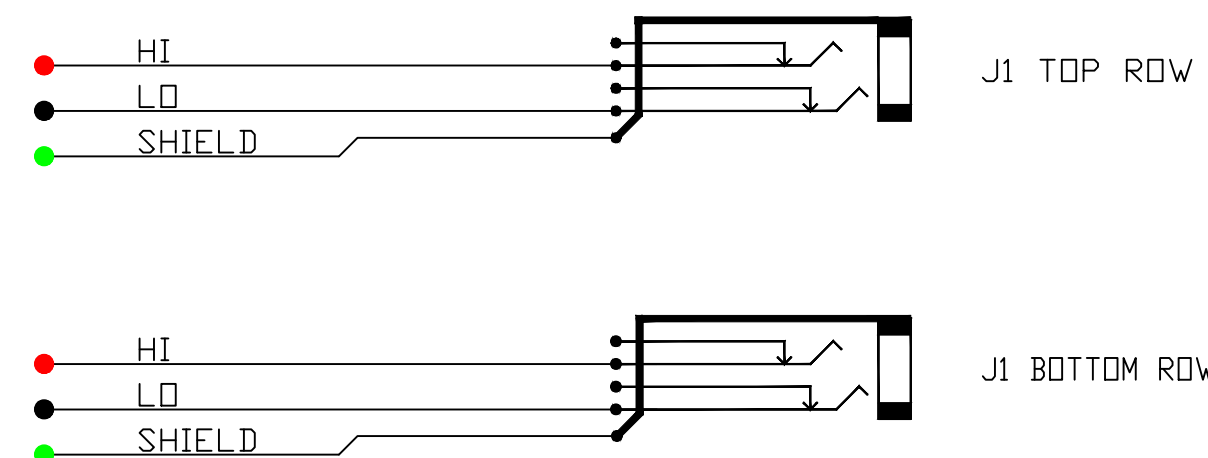
AUDIO, VIDEO, DATA
600 WEST ELK AVENUE
GLENDALE, CA. 91204
TEL 818 500-8142
FAX 818 500-7062
WWW.BITTREE.COM



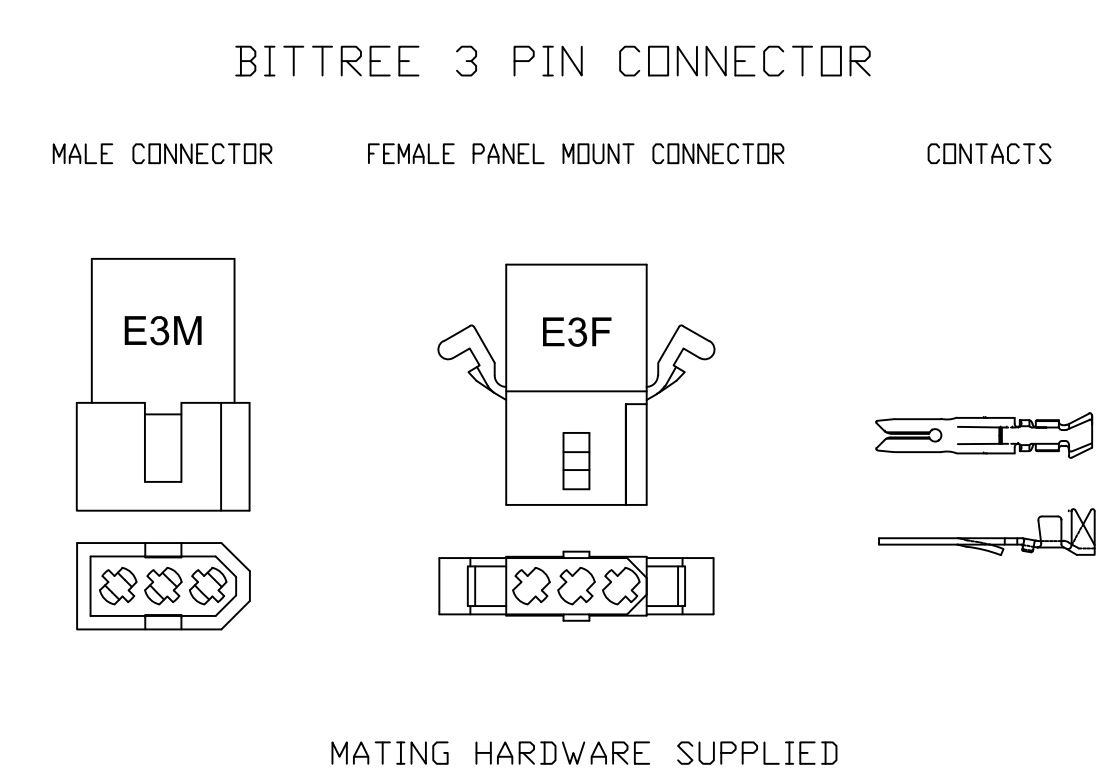
BITTREE 3 PIN CONNECTOR
REAR VIEW PIN-OUT

TOOLS AND ACCESSORIES PART NUMBERS

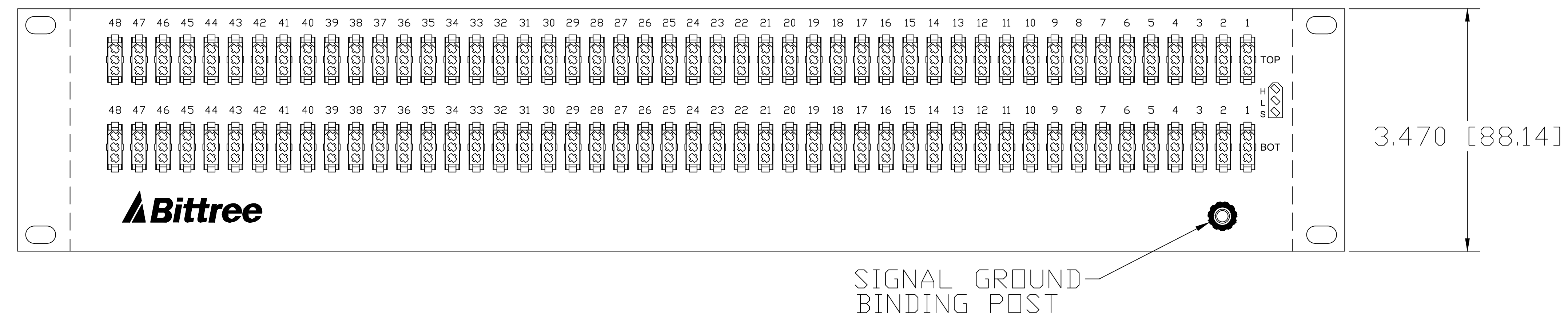
| DESCRIPTION | PART NUMBER |
|----------------------------|-------------|
| CONTACT CRIMP TOOL | K2MA-01 |
| CONTACT REMOVAL TOOL | S16-280-300 |
| CONTACT INSERTION TOOL | S16-280-400 |
| BITTREE MALE CONNECTOR | E3M |
| BITTREE FEMALE CONNECTOR | E3F |
| CONNECTOR CONTACTS (PINS) | EPIN |
| REPLACEMENT HARDWARE KIT | 9603R |
| PROGRAMMING SHUNTS (RED) | 382811-9 |
| PROGRAMMING SHUNTS (WHITE) | 382811-0 |
| LACING BAR 6IN (152.4MM) | LB-17500 |
| LACING BAR 3IN (76.2MM) | LB175-3 |



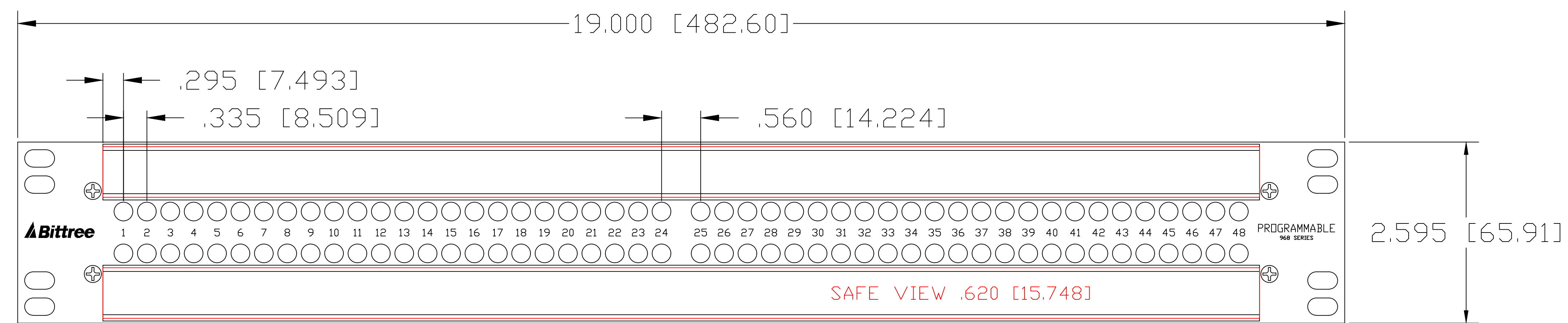
SCHEMATIC
NON-NORMALED ISOLATED GND VIEW



MATING HARDWARE SUPPLIED
FOR PURCHASE OF ADDITIONAL MATING HARDWARE
SEE ACCESSORIES DRAWING FOR PART NUMBERS.



REAR VIEW



| DESIGNATION: | PART NBR. | DIMENSIONS |
|----------------------------|-------------|----------------------------------|
| STAINLESS STEEL HOLDERS: | DS800-10/S, | .800 [20.320] x 16.560 [420.624] |
| TRANSLUCENT LEXAN INSERTS: | DS800-10/P, | .725 [18.415] x 16.560 [420.624] |
| WHITE STYRENE INSERTS: | DS800-10/D, | .725 [18.415] x 16.560 [420.624] |

FRONT VIEW

NOTE: DS_INSERT LAYER IS A SCALED 1:1 LABEL INSERT OUTLINE

DATA CONTAINED IN THIS DOCUMENT
IS PROPRIETARY AND SHALL NOT BE
DISCLOSED, COPIED OR USED FOR
PROCUREMENT OR MANUFACTURE
WITHOUT EXPRESS WRITTEN PERMISSION
OF BITTREE INCORPORATED

DWG. NO.:
B96DHNNIIHE3M2DU48BRP2
PART NO.:
B96DH-NNIIH/E3 M2DU48B RP2
DESIGNATION: DS800-10-ASSY

LAYER (DS_INSERT) IS PROVIDED
FOR THE CREATION OF LEGEND
STRIPS FOR THIS PATCHBAY. THE
RED OUTLINE MATCHES THE SIZE
OF INSERT.
PLEASE NOTE THE VIEWABLE AREA
IS LISTED IN NOTES BELOW THE
FRONT PANEL VIEW.

DWG. SCALE: FULL

PDF. SCALE: NONE

ALL POSSIBLE CARE HAS BEEN TAKEN IN
PREPARING THIS SET OF DRAWINGS.
STATEMENTS AND SPECIFICATIONS ARE
BELIEVED TRUE BUT CANNOT BE
GUARANTEED AND THEREFORE WE ARE
NOT RESPONSIBLE FOR ANY
INACCURACIES. THIS DOCUMENT SHOULD
BE USED AS THE BASIS FOR DESIGN OR
TO ESTABLISH SPECIFICATION LIMITS.

BITTREE RESERVES THE RIGHT TO
CHANGE OR ALTER SPECIFICATIONS OR
MATERIALS WITHOUT NOTICE. PROVIDED
THE FUNCTION AND PERFORMANCE OF
THE PRODUCT REMAINS REASONABLY
SIMILAR OR IS IMPROVED.

| | | | |
|-------|------------------|----------|----------|
| REV.: | DATE: 11/10/2017 | BY: G.S. | CHANGES: |
|-------|------------------|----------|----------|