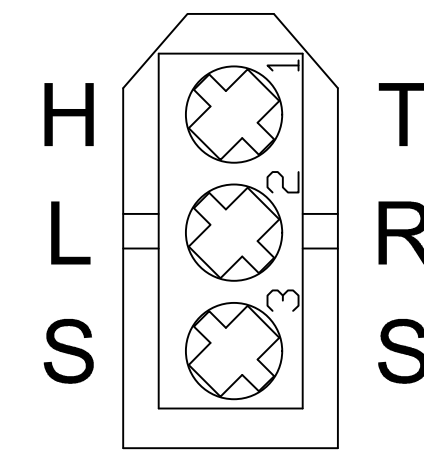


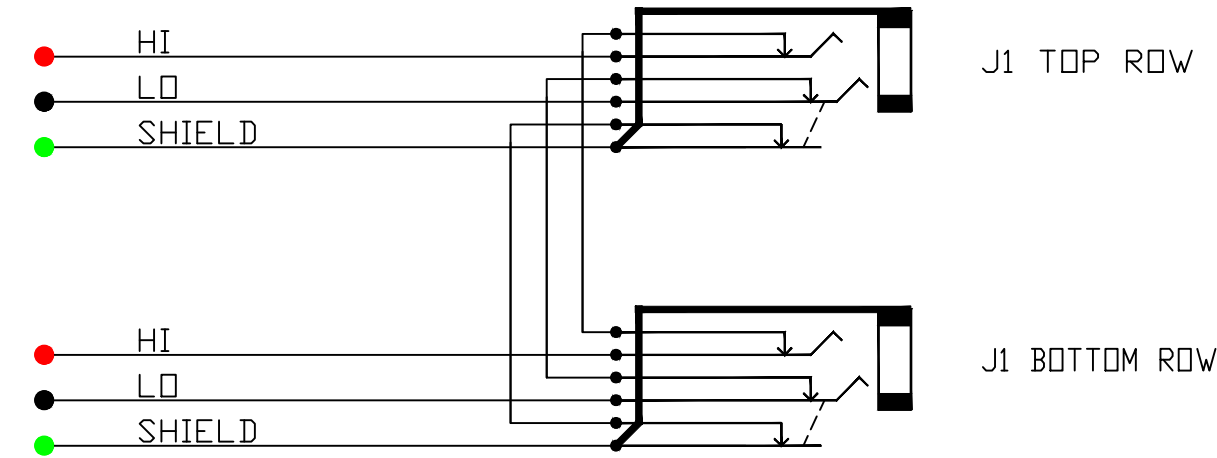
RoHS  
COMPLIANT



BITTREE 3 PIN CONNECTOR  
REAR VIEW PIN-OUT

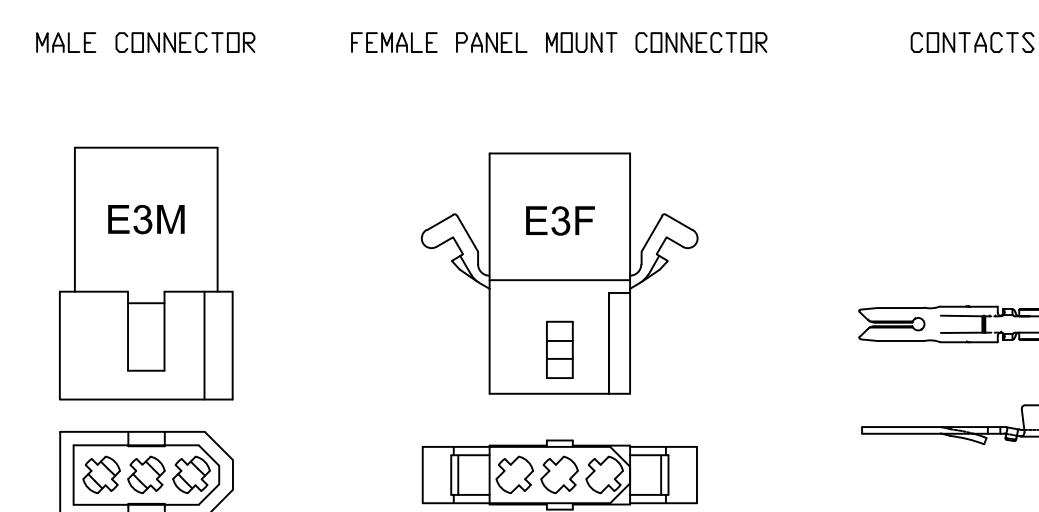
TOOLS AND ACCESSORIES PART NUMBERS

DESCRIPTION	PART NUMBER
CONTACT CRIMP TOOL	K2MA-01
CONTACT REMOVAL TOOL	516-280-300
CONTACT INSERTION TOOL	516-280-400
BITTREE MALE CONNECTOR	E3M
BITTREE FEMALE CONNECTOR	E3F
CONNECTOR CONTACTS (PINS)	EPIN
REPLACEMENT HARDWARE KIT	9603R
PROGRAMMING SHUNTS (RED)	382811-9
PROGRAMMING SHUNTS (WHITE)	382811-0
LACING BAR 6IN (152.4MM)	LB-17500
LACING BAR 3IN (76.2MM)	LB175-3



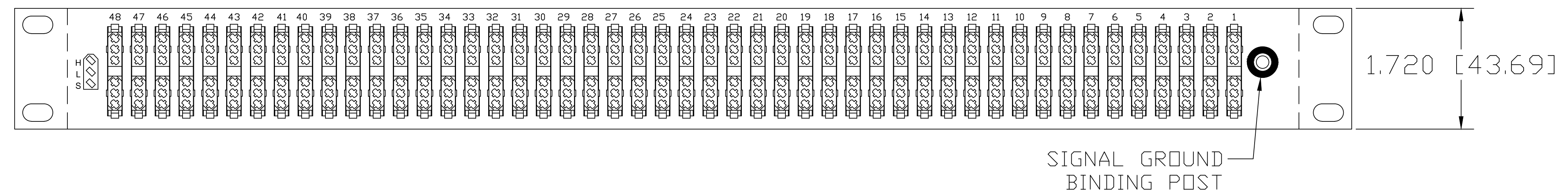
SCHEMATIC  
FULL-NORMALED SWITCHED GND VIEW

BITTREE 3 PIN CONNECTOR

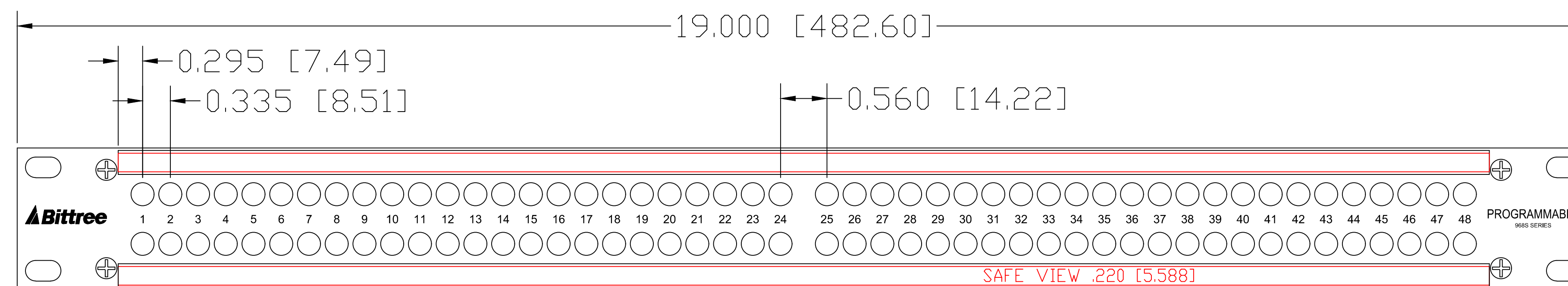


MATING HARDWARE SUPPLIED

FOR PURCHASE OF ADDITIONAL MATING HARDWARE  
SEE ACCESSORIES DRAWING FOR PART NUMBERS.



REAR VIEW



DESIGNATION: DS250-10/B, .250 [6.350] x 16.560 [420.624]  
 DESIGNATION HOLDER SNAP-ON CAP DS250-10/C, .290 [7.336] x 16.560 [420.624]

FRONT VIEW

# Bittree

PATCHING SYSTEMS

AUDIO, VIDEO, DATA  
600 WEST ELK AVENUE  
GLENDALE, CA. 91204  
TEL 818 500-8142  
FAX 818 500-7062  
WWW.BITTREE.COM

DATA CONTAINED IN THIS DOCUMENT  
IS PROPRIETARY AND SHALL NOT BE  
DISCLOSED, COPIED OR USED FOR  
PROCUREMENT OR MANUFACTURE  
WITHOUT EXPRESS WRITTEN PERMISSION  
OF BITTREE INCORPORATED

DWG. NO.:  
B96DHFNRSSSE3M2DU48BRP1

PART NO.:  
B96DH-FNRSS/E3 M2DU48B RP1

DESIGNATION: DS250-10-ASSY

LAYER (DS\_INSERT) IS PROVIDED  
FOR THE CREATION OF LEGEND  
STRIPS FOR THIS PATCHBAY. THE  
RED OUTLINE MATCHES THE SIZE  
OF INSERT.  
PLEASE NOTE THE VIEWABLE AREA  
IS LISTED IN NOTES BELOW THE  
FRONT PANEL VIEW.

DWG. SCALE: FULL

PDF. SCALE: NONE

ALL POSSIBLE CARE HAS BEEN TAKEN IN  
PREPARING THIS SET OF DRAWINGS.  
STATEMENTS AND SPECIFICATIONS ARE  
BELIEVED TRUE BUT CANNOT BE  
GUARANTEED AND THEREFORE WE ARE  
NOT RESPONSIBLE FOR ANY  
INACCURACIES. THIS DOCUMENT SHOULD  
BE USED AS THE BASIS FOR DESIGN OR  
TO ESTABLISH SPECIFICATION LIMITS.

BITTREE RESERVES THE RIGHT TO  
CHANGE OR ALTER SPECIFICATIONS OR  
MATERIALS WITHOUT NOTICE. PROVIDED  
THE FUNCTION AND PERFORMANCE OF  
THE PRODUCT REMAINS REASONABLY  
SIMILAR OR IS IMPROVED.

REV.:	DATE: 11/10/2017	BY: G.S.	CHANGES:
-------	------------------	----------	----------