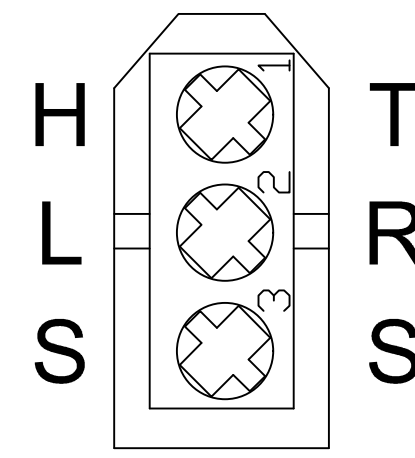


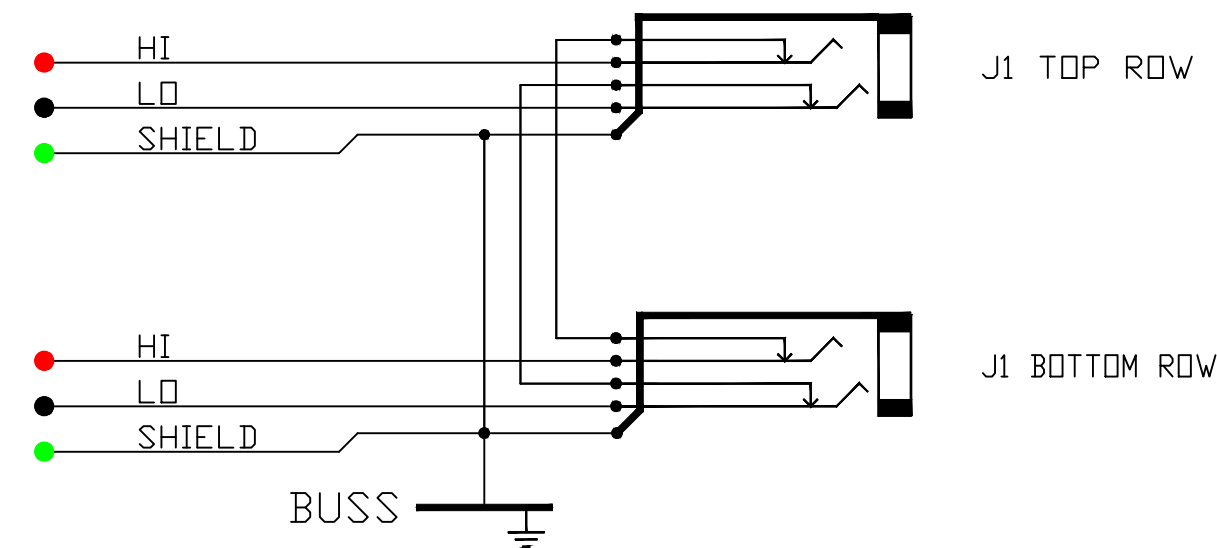
RoHS  
COMPLIANT



BITTREE 3 PIN CONNECTOR  
REAR VIEW PIN-OUT

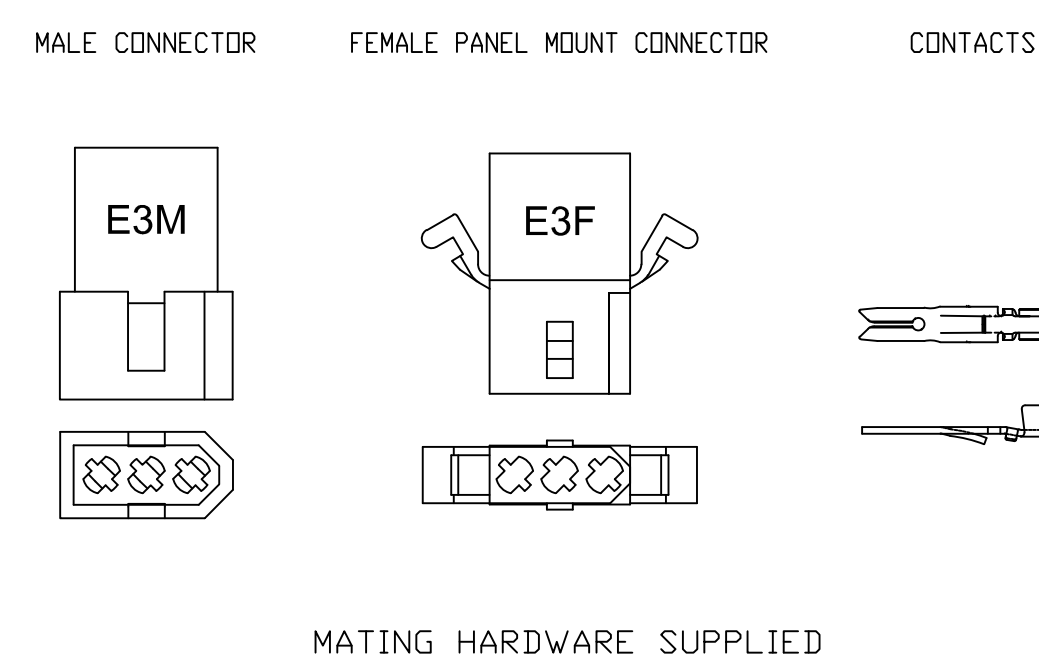
TOOLS AND ACCESSORIES PART NUMBERS

| DESCRIPTION                | PART NUMBER |
|----------------------------|-------------|
| CONTACT CRIMP TOOL         | K2MA-01     |
| CONTACT REMOVAL TOOL       | 516-280-300 |
| CONTACT INSERTION TOOL     | 516-280-400 |
| BITTREE MALE CONNECTOR     | E3M         |
| BITTREE FEMALE CONNECTOR   | E3F         |
| CONNECTOR CONTACTS (PINS)  | EPIN        |
| REPLACEMENT HARDWARE KIT   | 9603R       |
| PROGRAMMING SHUNTS (RED)   | 382811-9    |
| PROGRAMMING SHUNTS (WHITE) | 382811-0    |
| LACING BAR 6IN (152.4MM)   | LB-17500    |
| LACING BAR 3IN (76.2MM)    | LB175-3     |

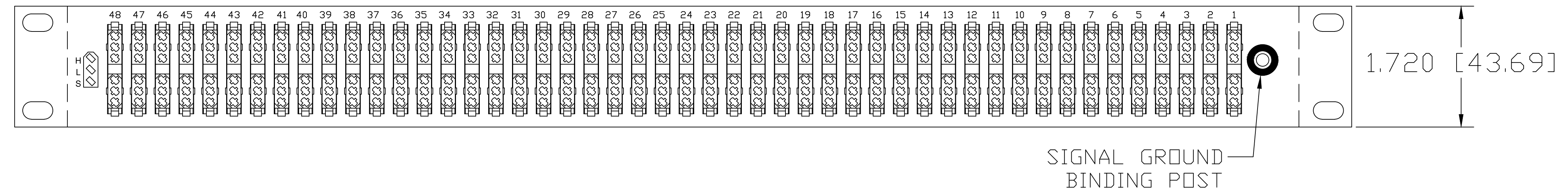


SCHEMATIC  
FULL-NORMALIZED BUSSEDED GND VIEW

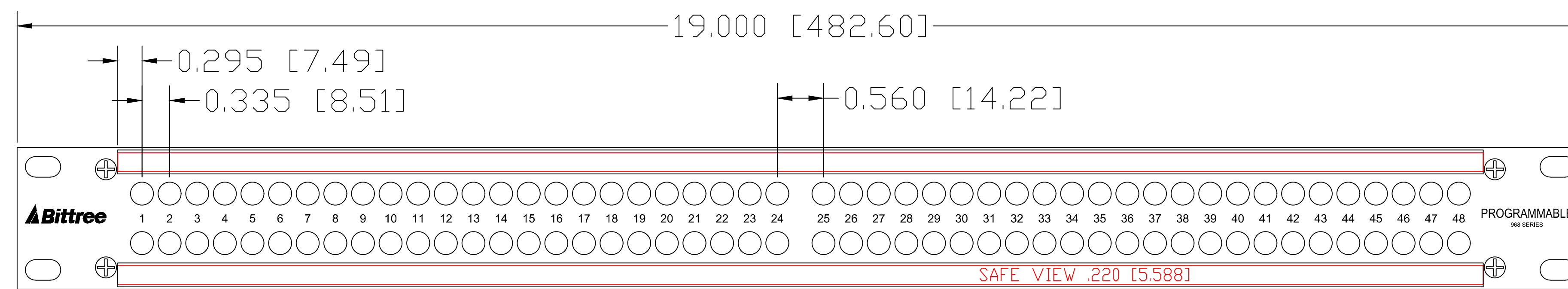
BITTREE 3 PIN CONNECTOR



FOR PURCHASE OF ADDITIONAL MATING HARDWARE  
SEE ACCESSORIES DRAWING FOR PART NUMBERS.



REAR VIEW



DESIGNATION: DS250-10/B, .250 [6.350] x 16.560 [420.624]  
 DESIGNATION HOLDER SNAP-ON CAP DS250-10/C, .290 [7.336] x 16.560 [420.624]

FRONT VIEW

# Bittree

PATCHING SYSTEMS

AUDIO, VIDEO, DATA  
600 WEST ELK AVENUE  
GLENDALE, CA. 91204  
TEL 818 500-8142  
FAX 818 500-7062  
WWW.BITTREE.COM

DATA CONTAINED IN THIS DOCUMENT IS PROPRIETARY AND SHALL NOT BE DISCLOSED, COPIED OR USED FOR PROCUREMENT OR MANUFACTURE WITHOUT EXPRESS WRITTEN PERMISSION OF BITTREE INCORPORATED

DWG. NO.:  
B96DHFNIBSE3M2DU48BRP1

PART NO.:  
B96DH-FNIBS/E3 M2DU48B RP1

DESIGNATION: DS250-10-ASSY

LAYER (DS\_INSERT) IS PROVIDED FOR THE CREATION OF LEGEND STRIPS FOR THIS PATCHBAY. THE RED OUTLINE MATCHES THE SIZE OF INSERT. PLEASE NOTE THE VIEWABLE AREA IS LISTED IN NOTES BELOW THE FRONT PANEL VIEW.

DWG. SCALE: FULL

PDF. SCALE: NONE

ALL POSSIBLE CARE HAS BEEN TAKEN IN PREPARING THIS SET OF DRAWINGS. STATEMENTS AND SPECIFICATIONS ARE BELIEVED TRUE BUT CANNOT BE GUARANTEED AND THEREFORE WE ARE NOT RESPONSIBLE FOR ANY INACCURACIES. THIS DOCUMENT SHOULD BE USED AS THE BASIS FOR DESIGN OR TO ESTABLISH SPECIFICATION LIMITS.

BITTREE RESERVES THE RIGHT TO CHANGE OR ALTER SPECIFICATIONS OR MATERIALS WITHOUT NOTICE. PROVIDED THE FUNCTION AND PERFORMANCE OF THE PRODUCT REMAINS REASONABLY SIMILAR OR IS IMPROVED.

|       |                  |          |          |
|-------|------------------|----------|----------|
| REV.: | DATE: 11/10/2017 | BY: G.S. | CHANGES: |
|-------|------------------|----------|----------|