

RoHS COMPLIANT



# Bittree

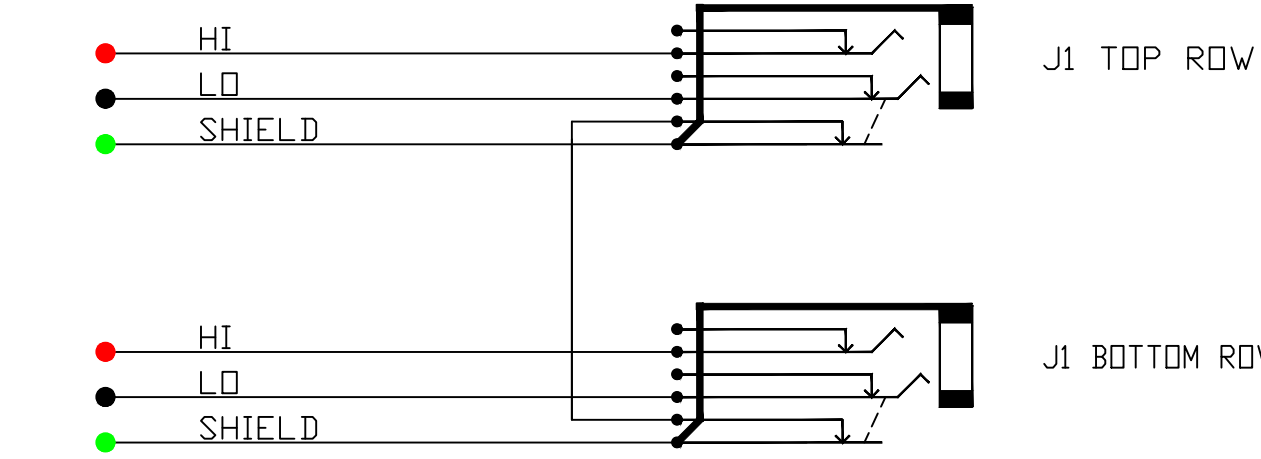
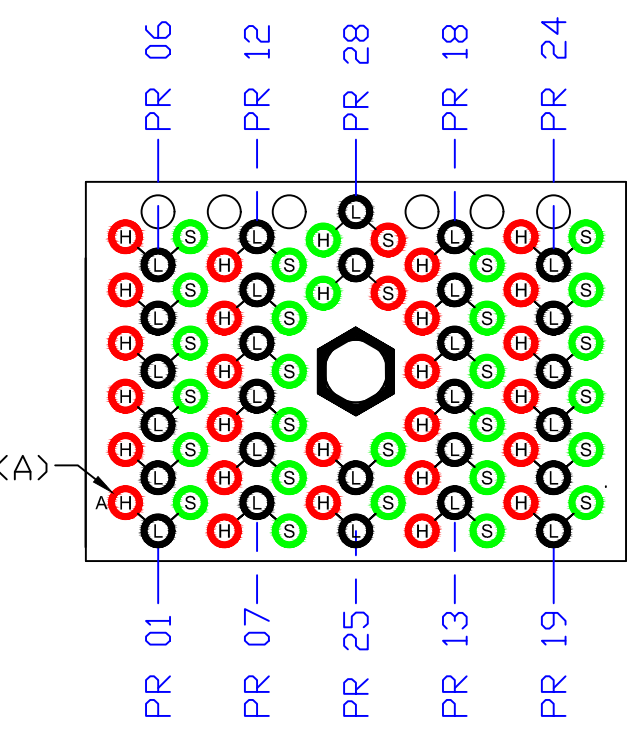
## PATCHING SYSTEMS

AUDIO, VIDEO, DATA  
600 WEST ELK AVENUE  
GLENDALE, CA. 91204  
TEL 818 500-8142  
FAX 818 500-7062  
WWW.BITTREE.COM

### E90 PIN-OUT

| CHANNEL | PR(HIGH) | LD(W) | SHIELD(B) |
|---------|----------|-------|-----------|
| 1       | A        | H     | S         |
| 2       | B        | J     | S         |
| 3       | C        | K     | U         |
| 4       | D        | L     | U         |
| 5       | E        | M     | V         |
| 6       | F        | N     | V         |
| 7       | X        | AE    | AM        |
| 8       | Y        | AF    | AM        |
| 9       | Z        | AH    | AP        |
| 10      | AA       | AJ    | AR        |
| 11      | AB       | AK    | AS        |
| 12      | AC       | AL    | AT        |
| 13      | AD       | AM    | AV        |
| 14      | AE       | AN    | BZ        |
| 15      | BE       | AO    | CA        |
| 16      | BF       | AP    | CB        |
| 17      | BN       | BV    | CC        |
| 18      | BP       | BX    | CC        |
| 19      | CP       | CN    | CV        |
| 20      | CH       | CP    | CV        |
| 21      | CJ       | CS    | CZ        |
| 22      | CK       | CS    | CZ        |
| 23      | CL       | CT    | DB        |
| 24      | CH       | CU    | DB        |
| 25      | AV       | AZ    | BD        |
| 26      | AV       | BA    | BE        |

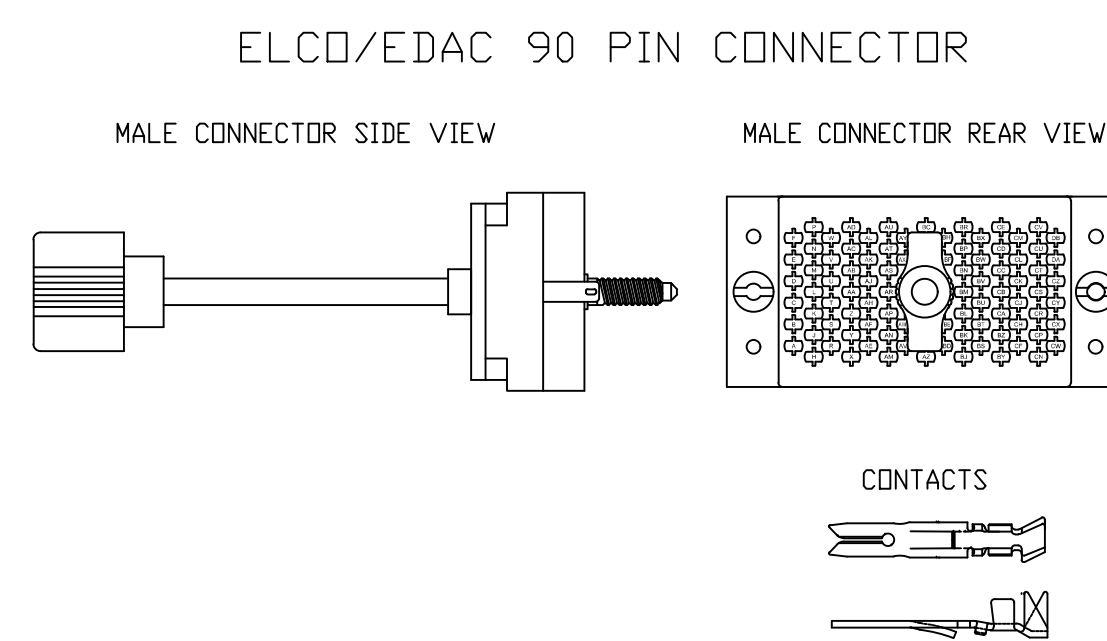
### MALE CONNECTOR REAR VIEW (CONTACT INSERTION PATTERN)



### SCHEMATIC NON-NORMALED SWITCHED GND VIEW

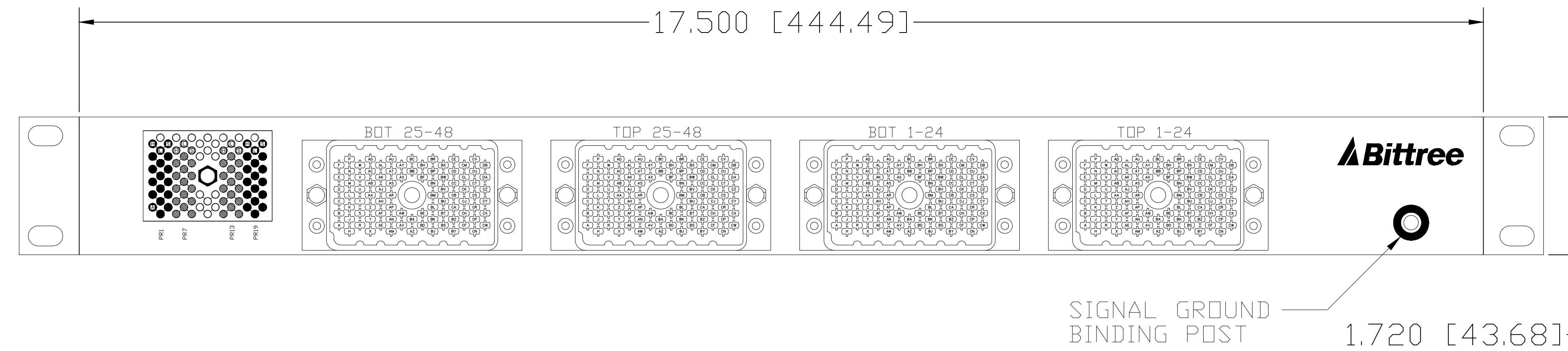
### TOOLS AND ACCESSORIES PART NUMBERS

| DESCRIPTION                      | PART NUMBER |
|----------------------------------|-------------|
| CONTACT CRIMP TOOL               | K2MA-01     |
| CONTACT REMOVAL TOOL             | 516-280-300 |
| CONTACT INSERTION TOOL           | 516-280-400 |
| 90 PIN MALE CONNECTOR WITH SCREW | E90MS       |
| 90 PIN FEMALE CONNECTOR WITH NUT | E90FN       |
| CONNECTOR CONTACTS (PINS)        | EPIN        |
| REPLACEMENT HARDWARE KIT         | 9690R       |
| PROGRAMMING SHUNTS (RED)         | 382811-9    |
| PROGRAMMING SHUNTS (WHITE)       | 382811-0    |

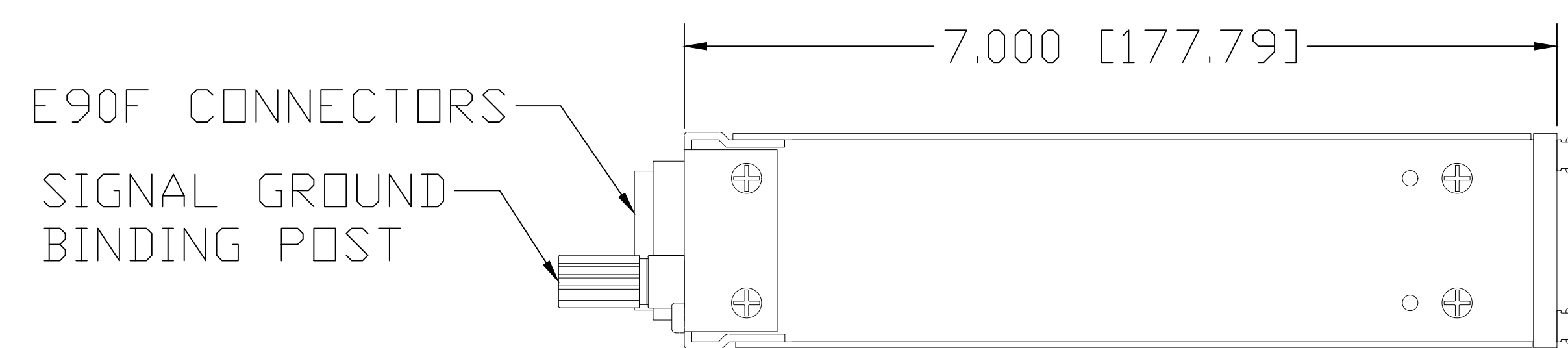


MATING HARDWARE SUPPLIED

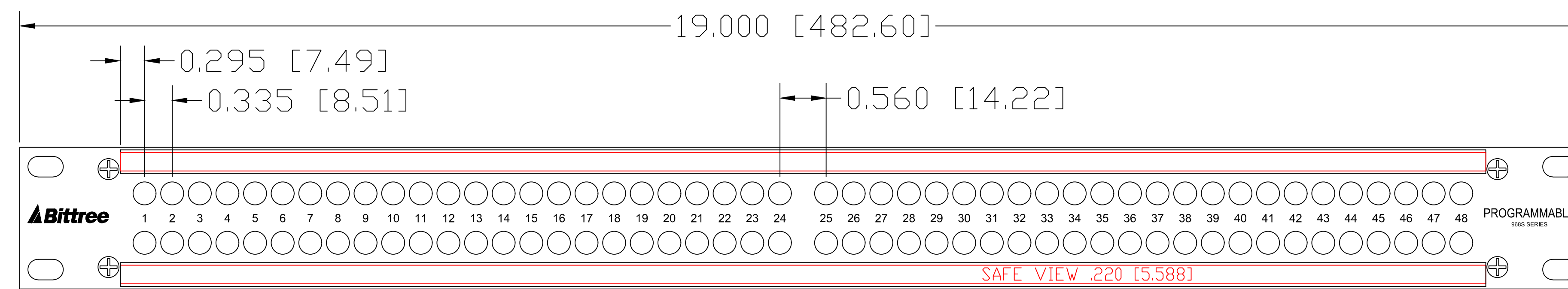
FOR PURCHASE OF ADDITIONAL MATING HARDWARE  
SEE ACCESSORIES DRAWING FOR PART NUMBERS.



### REAR VIEW



### LEFT SIDE VIEW



| DESIGNATION:       | PART NBR.   | DIMENSIONS                      |
|--------------------|-------------|---------------------------------|
| DESIGNATION HOLDER | DS250-10/B, | .250 [6.350] x 16.560 [420.624] |
| SNAP-ON CAP        | DS250-10/C, | .290 [7.336] x 16.560 [420.624] |

### FRONT VIEW

DATA CONTAINED IN THIS DOCUMENT IS PROPRIETARY AND SHALL NOT BE DISCLOSED, COPIED OR USED FOR PROCUREMENT OR MANUFACTURE WITHOUT EXPRESS WRITTEN PERMISSION OF BITTREE INCORPORATED

DWG. NO.:  
B96DCNNRSSE90M20U7B

PART NO.:  
B96DC-NNRSS/E90 M20U7B

DESIGNATION: DS250-10-ASSY

LAYER (DS\_INSERT) IS PROVIDED FOR THE CREATION OF LEGEND STRIPS FOR THIS PATCHBAY. THE RED OUTLINE MATCHES THE SIZE OF INSERT. PLEASE NOTE THE VIEWABLE AREA IS LISTED IN NOTES BELOW THE FRONT PANEL VIEW.

DWG. SCALE: FULL

PDF. SCALE: NONE

ALL POSSIBLE CARE HAS BEEN TAKEN IN PREPARING THIS SET OF DRAWINGS. STATEMENTS AND SPECIFICATIONS ARE BELIEVED TRUE BUT CANNOT BE GUARANTEED AND THEREFORE WE ARE NOT RESPONSIBLE FOR ANY INACCURACIES. THIS DOCUMENT SHOULD BE USED AS THE BASIS FOR DESIGN OR TO ESTABLISH SPECIFICATION LIMITS.

BITTREE RESERVES THE RIGHT TO CHANGE OR ALTER SPECIFICATIONS OR MATERIALS WITHOUT NOTICE. PROVIDED THE FUNCTION AND PERFORMANCE OF THE PRODUCT REMAINS REASONABLY SIMILAR OR IS IMPROVED.

|       |                 |          |          |
|-------|-----------------|----------|----------|
| REV.: | DATE: 11/3/2017 | BY: G.S. | CHANGES: |
|-------|-----------------|----------|----------|