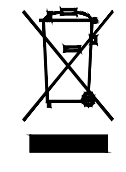


RoHS COMPLIANT



Bittree

PATCHING SYSTEMS

AUDIO, VIDEO, DATA
600 WEST ELK AVENUE
GLENDALE, CA. 91204
TEL 818 500-8142
FAX 818 500-7062
WWW.BITTREE.COM

DATA CONTAINED IN THIS DOCUMENT IS PROPRIETARY AND SHALL NOT BE DISCLOSED, COPIED OR USED FOR PROCUREMENT OR MANUFACTURE WITHOUT EXPRESS WRITTEN PERMISSION OF BITTREE INCORPORATED

DWG. NO.: B96DCNNRSSD25S2OU12B

PART NO.: B96DC-NNRSS/D25 S2OU12B

DESIGNATION: DS250-10-ASSY

LAYER (DS_INSERT) IS PROVIDED FOR THE CREATION OF LEGEND STRIPS FOR THIS PATCHBAY. THE RED OUTLINE MATCHES THE SIZE OF INSERT. PLEASE NOTE THE VIEWABLE AREA IS LISTED IN NOTES BELOW THE FRONT PANEL VIEW.

DWG. SCALE: FULL

PDF. SCALE: NONE

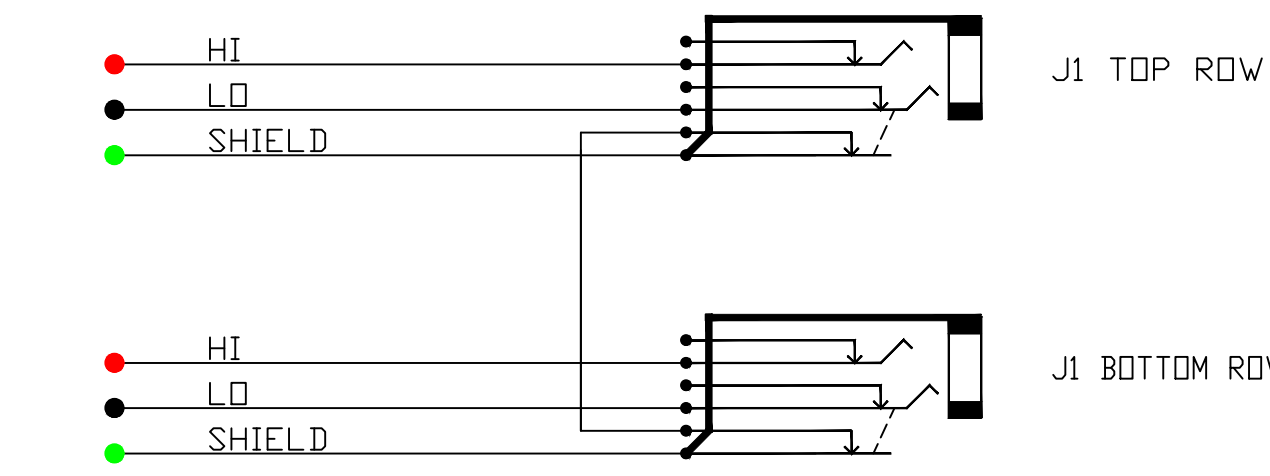
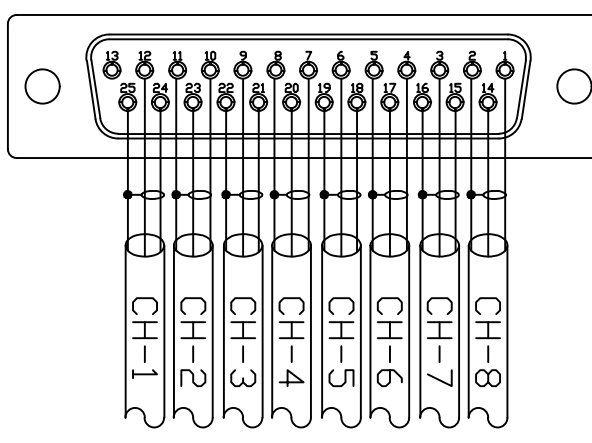
ALL POSSIBLE CARE HAS BEEN TAKEN IN PREPARING THIS SET OF DRAWINGS. STATEMENTS AND SPECIFICATIONS ARE BELIEVED TRUE BUT CANNOT BE GUARANTEED AND THEREFORE WE ARE NOT RESPONSIBLE FOR ANY INACCURACIES. THIS DOCUMENT SHOULD BE USED AS THE BASIS FOR DESIGN OR TO ESTABLISH SPECIFICATION LIMITS.

BITTREE RESERVES THE RIGHT TO CHANGE OR ALTER SPECIFICATIONS OR MATERIALS WITHOUT NOTICE. PROVIDED THE FUNCTION AND PERFORMANCE OF THE PRODUCT REMAINS REASONABLY SIMILAR OR IS IMPROVED.

DA88 STANDARD CHART FOR DB25 PIN-OUT

| PAIR | HI | LO | SH |
|------|----|----|----|
| 1 | 24 | 12 | 25 |
| 2 | 10 | 23 | 11 |
| 3 | 21 | 9 | 22 |
| 4 | 7 | 20 | 8 |
| 5 | 18 | 6 | 19 |
| 6 | 4 | 17 | 5 |
| 7 | 15 | 3 | 16 |
| 8 | 1 | 14 | 2 |

DB25 MALE CONNECTOR REAR VIEW



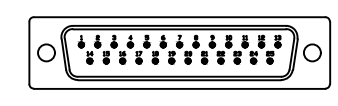
SCHEMATIC NON-NORMALED SWITCHED GND VIEW

TOOLS AND ACCESSORIES PART NUMBERS

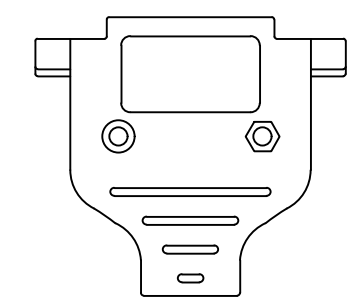
| DESCRIPTION | PART NUMBER |
|----------------------------|-------------|
| PROGRAMMING SHUNTS (RED) | 3B2B11-9 |
| PROGRAMMING SHUNTS (WHITE) | 3B2B11-0 |
| LACING BAR 6IN (152.4MM) | LB-17500 |
| LACING BAR 3IN (76.2MM) | LB175-3 |
| DB25 MALE WITH SOLDER PIN | DS-25P/T |
| 25 PIN DSUB METAL HOOD | DM-25C |
| | |
| | |
| | |
| | |
| | |
| | |
| | |
| | |
| | |
| | |
| | |
| | |
| | |
| | |

DB25M CONNECTOR

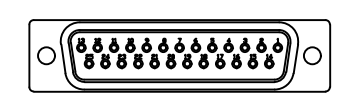
MALE CONNECTOR FRONT VIEW



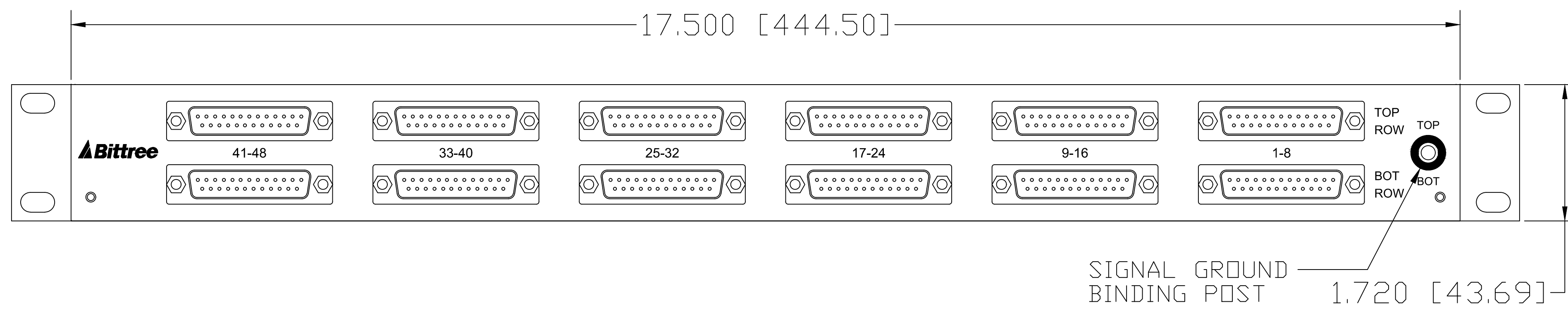
DB25 HOOD (BACKSHELL)



MALE CONNECTOR REAR VIEW

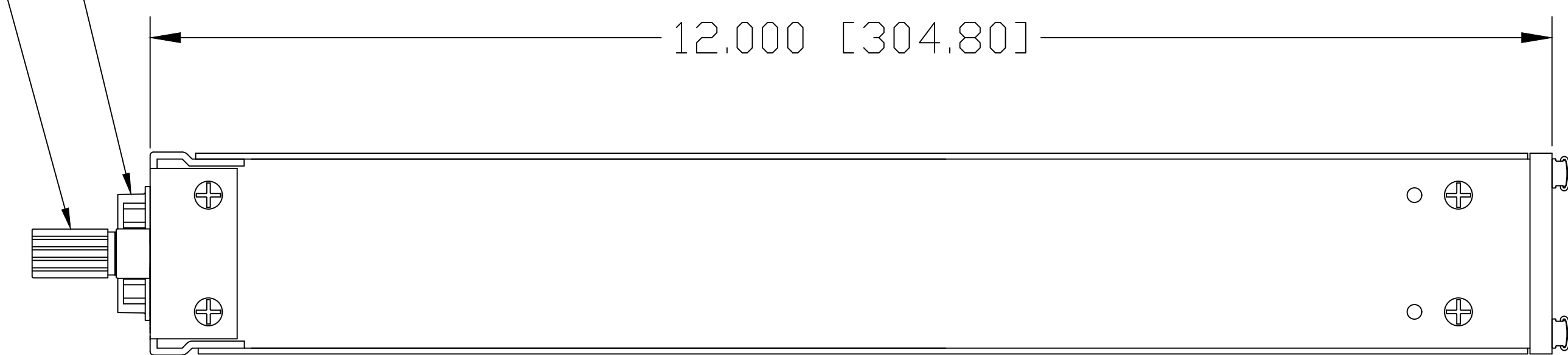


FOR PURCHASE OF MALE DB25M MATING HARDWARE SEE ACCESSORIES DRAWING FOR PART NUMBERS.

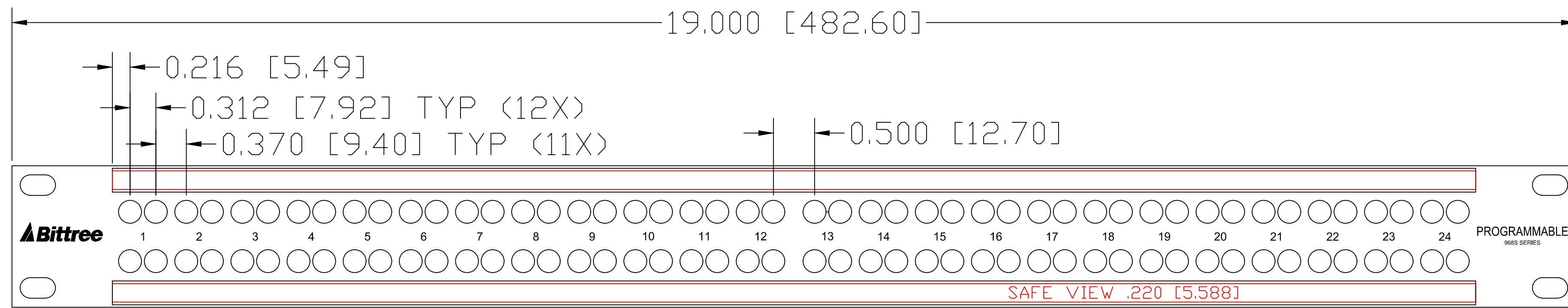


REAR VIEW

SIGNAL GROUND BINDING POST DB25 CONNECTORS



LEFT SIDE VIEW



FRONT VIEW

| DESIGNATION: | PART NBR. | DIMENSIONS |
|--------------------|-------------|---------------------------------|
| DESIGNATION HOLDER | DS250-10/B, | .250 [6.350] x 16.560 [420.624] |
| SNAP-ON CAP | DS250-10/C, | .290 [7.336] x 16.560 [420.624] |

| | | | |
|-------|-----------------|----------|----------|
| REV.: | DATE: 11/6/2017 | BY: G.S. | CHANGES: |
|-------|-----------------|----------|----------|