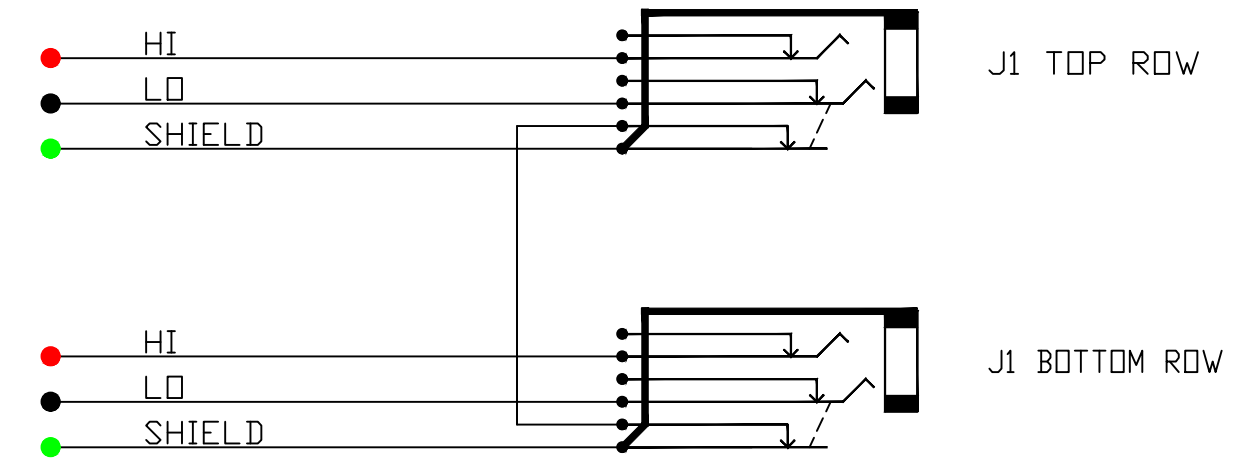


H T (RED)
L R (BLK)
S S (WHT)

IDC PUNCH DOWN
REAR VIEW PIN-OUT

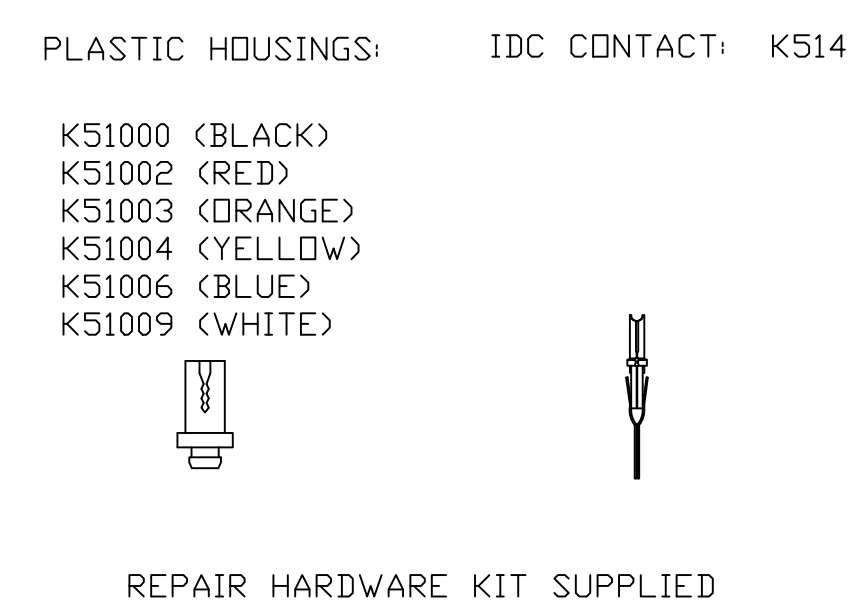


SCHEMATIC
NON-NORMALED SWITCHED GND VIEW

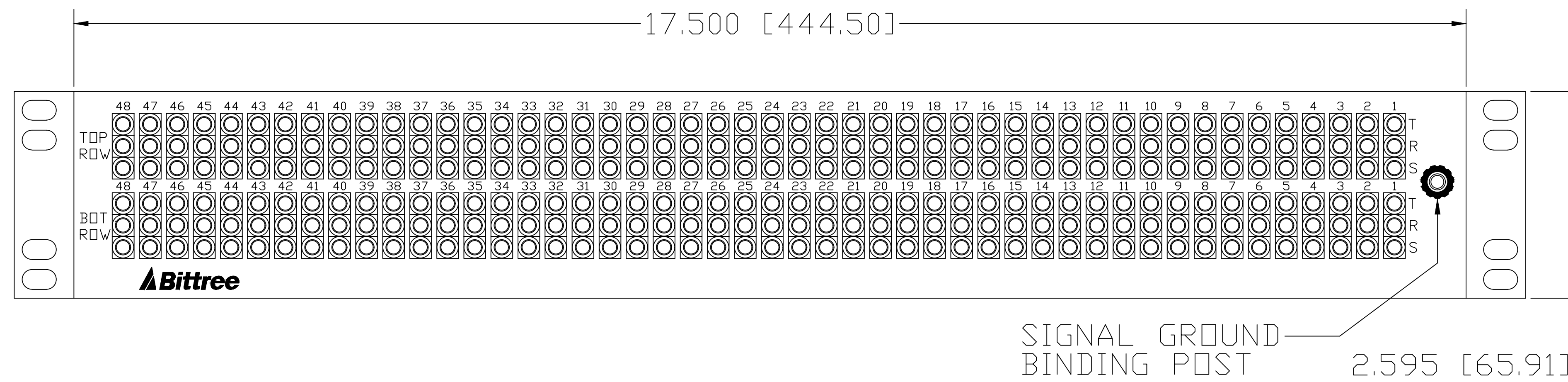
TOOLS AND ACCESSORIES PART NUMBERS

| DESCRIPTION | PART NUMBER |
|---------------------------------------|-------------|
| IMPACT TOOL WITH LIGHT | PT1LA |
| REPLACEMENT IMPACT TOOL TIP | PT2B |
| THERMOPLASTIC HOUSINGS (BLACK) | K51000 |
| THERMOPLASTIC HOUSINGS (RED) | K51002 |
| THERMOPLASTIC HOUSINGS (WHITE) | K51009 |
| CONNECTOR CONTACTS | K514 |
| PVC TUBING, 2.4 IN (6 CM), BAG OF 100 | PTC100 |
| REPLACEMENT HARDWARE KIT | 961DR |
| PROGRAMMING SHUNTS (RED) | 382B11-9 |
| PROGRAMMING SHUNTS (WHITE) | 382B11-0 |
| LACING BAR 6IN (152.4MM) | LB-17500 |
| LACING BAR 3IN (76.2MM) | LB175-3 |

IDC PUNCH DOWN



FOR PURCHASE OF ADDITIONAL MATING HARDWARE SEE ACCESSORIES DRAWING OR USE ABOVE PART NUMBERS



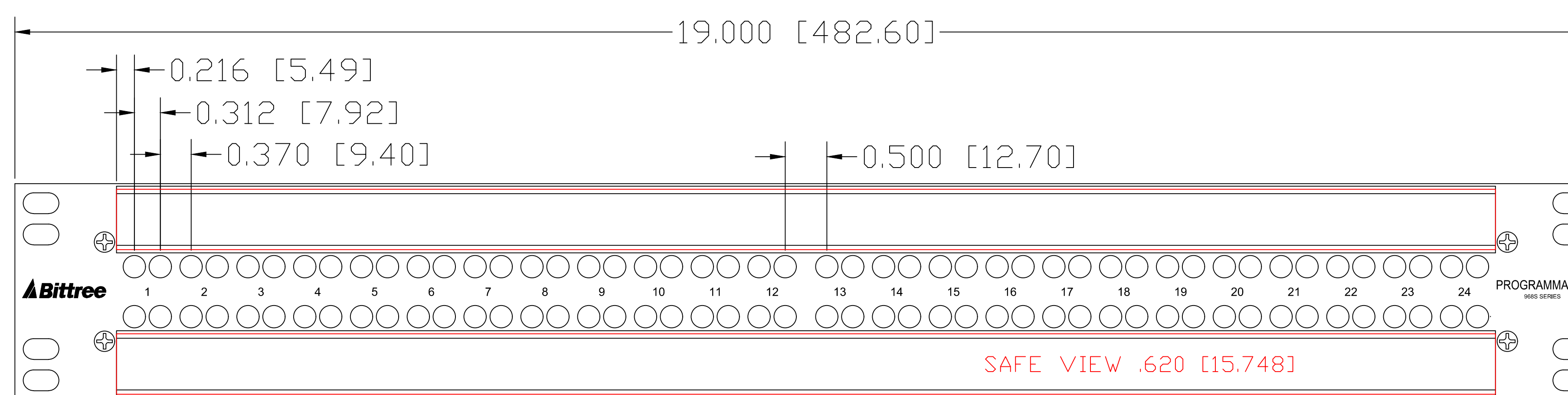
REAR VIEW

DATA CONTAINED IN THIS DOCUMENT IS PROPRIETARY AND SHALL NOT BE DISCLOSED, COPIED OR USED FOR PROCUREMENT OR MANUFACTURE WITHOUT EXPRESS WRITTEN PERMISSION OF BITTREE INCORPORATED

DWG. NO.: B96DCNNRSHIDS20U12B
PART NO.: B96DC-NNRSH/ID S20U12B
DESIGNATION: DS800-10-ASSY



LEFT SIDE VIEW



FRONT VIEW

| DESIGNATION: | PART NBR. | DIMENSIONS |
|----------------------------|-------------|----------------------------------|
| STAINLESS STEEL HOLDERS: | DS800-10/S, | .800 [20.320] x 16.560 [420.624] |
| TRANSLUCENT LEXAN INSERTS: | DS800-10/P, | .725 [18.415] x 16.560 [420.624] |
| WHITE STYRENE INSERTS: | DS800-10/D, | .725 [18.415] x 16.560 [420.624] |

LAYER (DS_INSERT) IS PROVIDED FOR THE CREATION OF LEGEND STRIPS FOR THIS PATCHBAY. THE RED OUTLINE MATCHES THE SIZE OF INSERT. PLEASE NOTE THE VIEWABLE AREA IS LISTED IN NOTES BELOW THE FRONT PANEL VIEW.

DWG. SCALE: FULL

PDF. SCALE: NONE

ALL POSSIBLE CARE HAS BEEN TAKEN IN PREPARING THIS SET OF DRAWINGS. STATEMENTS AND SPECIFICATIONS ARE BELIEVED TRUE BUT CANNOT BE GUARANTEED AND THEREFORE WE ARE NOT RESPONSIBLE FOR ANY INACCURACIES. THIS DOCUMENT SHOULD BE USED AS THE BASIS FOR DESIGN OR TO ESTABLISH SPECIFICATION LIMITS.

BITTREE RESERVES THE RIGHT TO CHANGE OR ALTER SPECIFICATIONS OR MATERIALS WITHOUT NOTICE. PROVIDED THE FUNCTION AND PERFORMANCE OF THE PRODUCT REMAINS REASONABLY SIMILAR OR IS IMPROVED.

NOTE: DS_INSERT LAYER IS A SCALED 1:1 LABEL INSERT OUTLINE

| | | | |
|-------|-----------------|----------|----------|
| REV.: | DATE: 11/9/2017 | BY: G.S. | CHANGES: |
|-------|-----------------|----------|----------|