



RoHS COMPLIANT



PATCHING SYSTEMS

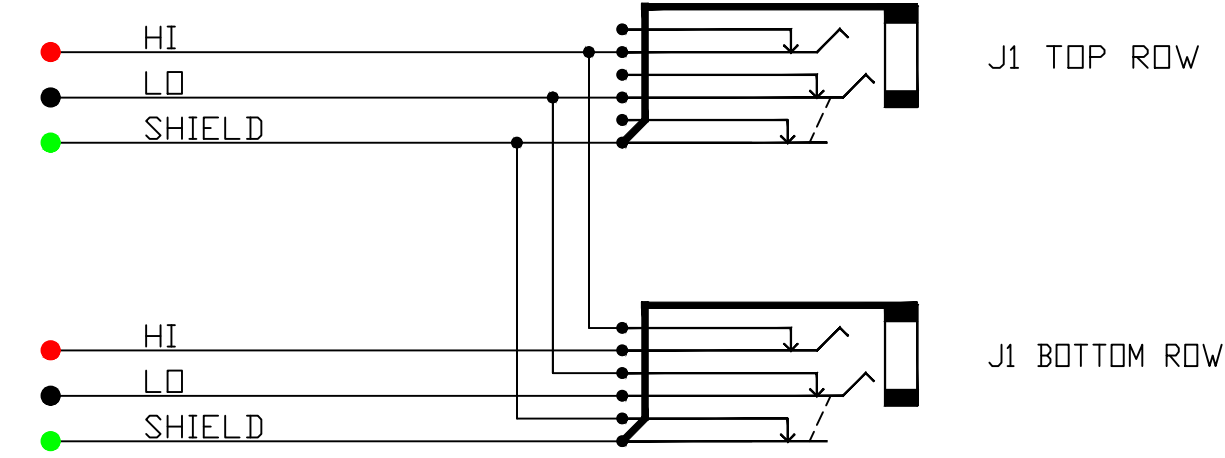
AUDIO, VIDEO, DATA

600 WEST ELK AVENUE
GLENDALE, CA. 91204

TEL 818 500-8142
FAX 818 500-7062
WWW.BITTREE.COM

H T (RED)
L R (BLK)
S S (WHT)

IDC PUNCH DOWN
REAR VIEW PIN-OUT



SCHEMATIC
HALF-NORMALED SWITCHED GND VIEW

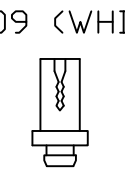
TOOLS AND ACCESSORIES PART NUMBERS

| DESCRIPTION | PART NUMBER |
|---------------------------------------|-------------|
| IMPACT TOOL WITH LIGHT | PT1LA |
| REPLACEMENT IMPACT TOOL TIP | PT2B |
| THERMOPLASTIC HOUSINGS (BLACK) | K51000 |
| THERMOPLASTIC HOUSINGS (RED) | K51002 |
| THERMOPLASTIC HOUSINGS (WHITE) | K51009 |
| CONNECTOR CONTACTS | K514 |
| PVC TUBING, 2.4 IN (6 CM), BAG OF 100 | PTC100 |
| REPLACEMENT HARDWARE KIT | 961DR |
| PROGRAMMING SHUNTS (RED) | 382B11-9 |
| PROGRAMMING SHUNTS (WHITE) | 382B11-0 |
| LACING BAR 6IN (152.4MM) | LB-17500 |
| LACING BAR 3IN (76.2MM) | LB175-3 |

IDC PUNCH DOWN

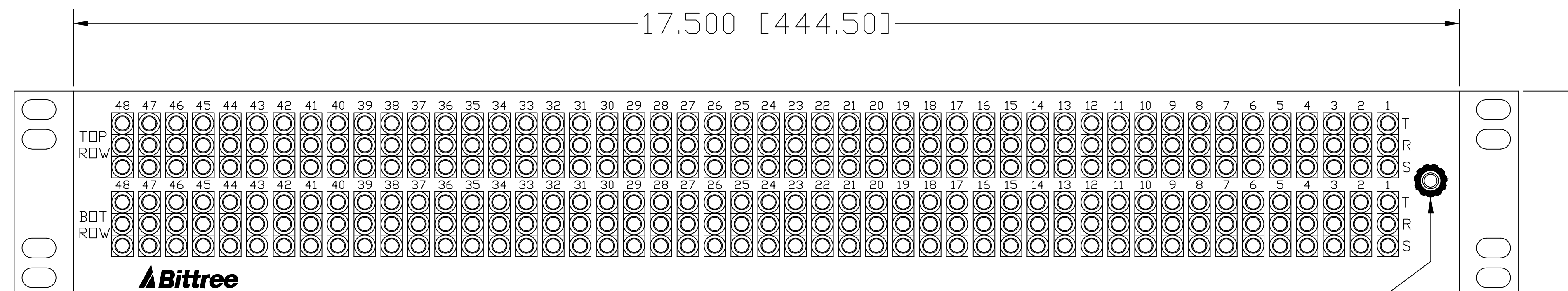
PLASTIC HOUSINGS: IDC CONTACT: K514

- K51000 (BLACK)
- K51002 (RED)
- K51003 (ORANGE)
- K51004 (YELLOW)
- K51006 (BLUE)
- K51009 (WHITE)



REPAIR HARDWARE KIT SUPPLIED

FOR PURCHASE OF ADDITIONAL MATING HARDWARE SEE ACCESSORIES DRAWING OR USE ABOVE PART NUMBERS



SIGNAL GROUND BINDING POST

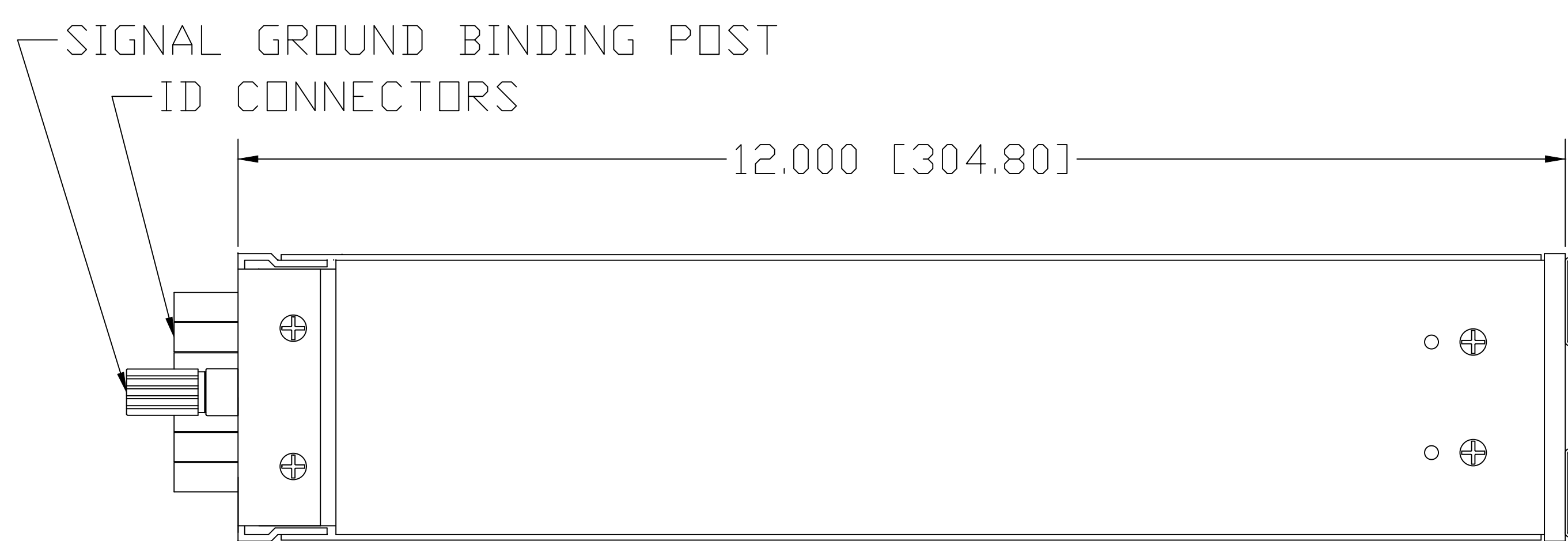
REAR VIEW

DATA CONTAINED IN THIS DOCUMENT IS PROPRIETARY AND SHALL NOT BE DISCLOSED, COPIED OR USED FOR PROCUREMENT OR MANUFACTURE WITHOUT EXPRESS WRITTEN PERMISSION OF BITTREE INCORPORATED

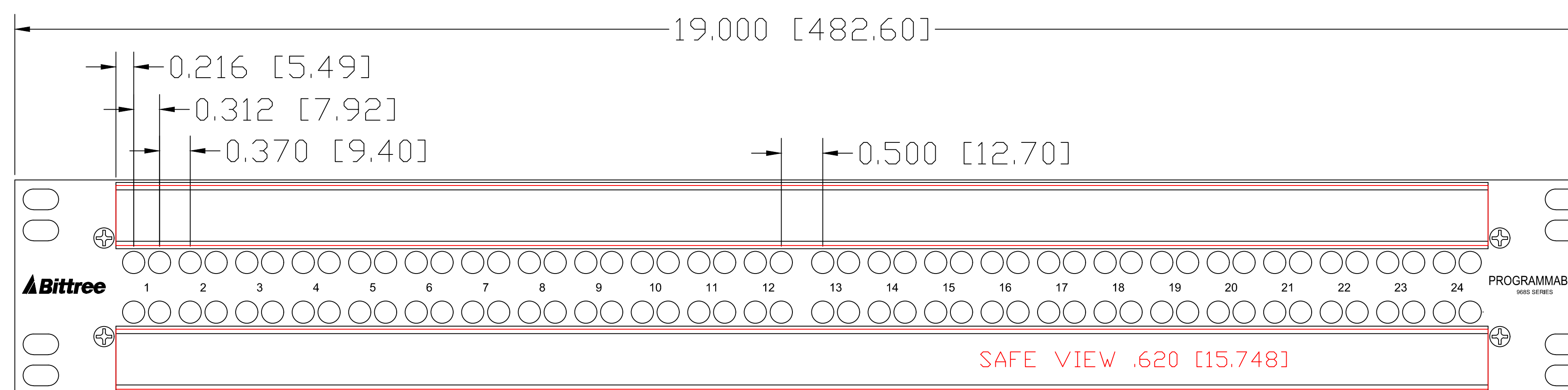
DWG. NO.: B96DCHNRSHIDS20U12B

PART NO.: B96DC-HNRSH/ID S20U12B

DESIGNATION: DS800-10-ASSY



LEFT SIDE VIEW



FRONT VIEW

| DESIGNATION: | PART NBR. | DIMENSIONS |
|----------------------------|-------------|----------------------------------|
| STAINLESS STEEL HOLDERS: | DS800-10/S, | .800 [20.320] x 16.560 [420.624] |
| TRANSLUCENT LEXAN INSERTS: | DS800-10/P, | .725 [18.415] x 16.560 [420.624] |
| WHITE STYRENE INSERTS: | DS800-10/D, | .725 [18.415] x 16.560 [420.624] |

LAYER (DS_INSERT) IS PROVIDED FOR THE CREATION OF LEGEND STRIPS FOR THIS PATCHBAY. THE RED OUTLINE MATCHES THE SIZE OF INSERT. PLEASE NOTE THE VIEWABLE AREA IS LISTED IN NOTES BELOW THE FRONT PANEL VIEW.

DWG. SCALE: FULL

PDF. SCALE: NONE

ALL POSSIBLE CARE HAS BEEN TAKEN IN PREPARING THIS SET OF DRAWINGS. STATEMENTS AND SPECIFICATIONS ARE BELIEVED TRUE BUT CANNOT BE GUARANTEED AND THEREFORE WE ARE NOT RESPONSIBLE FOR ANY INACCURACIES. THIS DOCUMENT SHOULD BE USED AS THE BASIS FOR DESIGN OR TO ESTABLISH SPECIFICATION LIMITS.

BITTREE RESERVES THE RIGHT TO CHANGE OR ALTER SPECIFICATIONS OR MATERIALS WITHOUT NOTICE. PROVIDED THE FUNCTION AND PERFORMANCE OF THE PRODUCT REMAINS REASONABLY SIMILAR OR IS IMPROVED.

NOTE: DS_INSERT LAYER IS A SCALED 1:1 LABEL INSERT OUTLINE

| | | | |
|-------|-----------------|----------|----------|
| REV.: | DATE: 11/7/2017 | BY: G.S. | CHANGES: |
|-------|-----------------|----------|----------|