



RoHS COMPLIANT

# Bittree

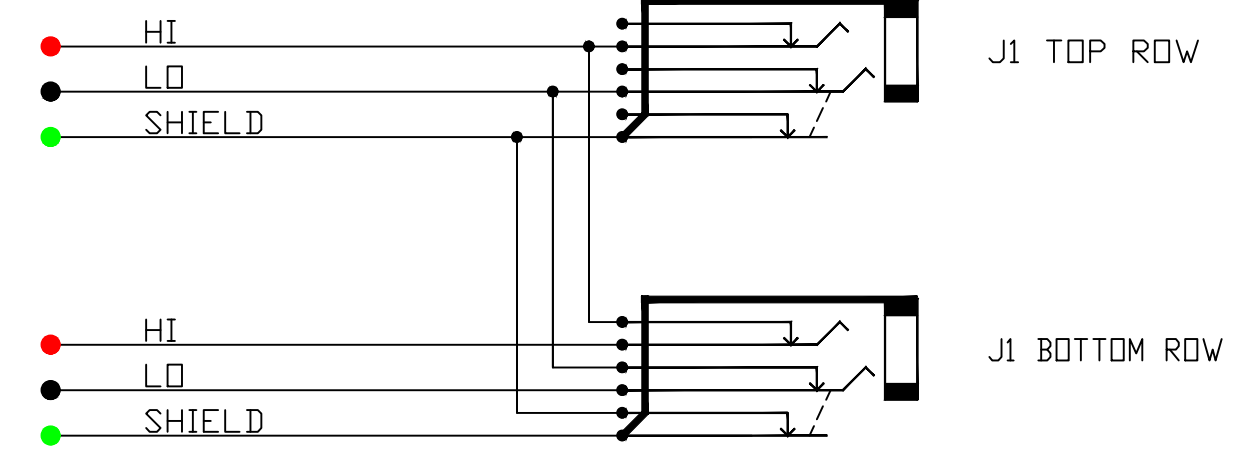
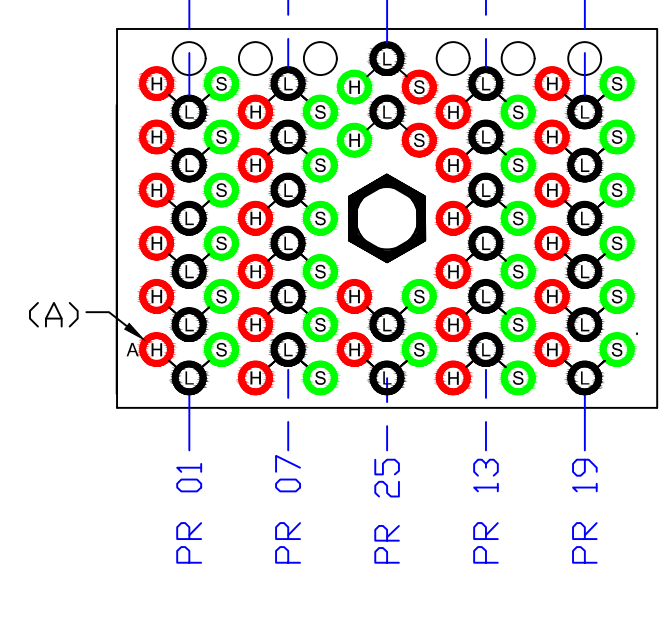
## PATCHING SYSTEMS

AUDIO, VIDEO, DATA  
 600 WEST ELK AVENUE  
 GLENDALE, CA. 91204  
 TEL 818 500-8142  
 FAX 818 500-7062  
 WWW.BITTREE.COM

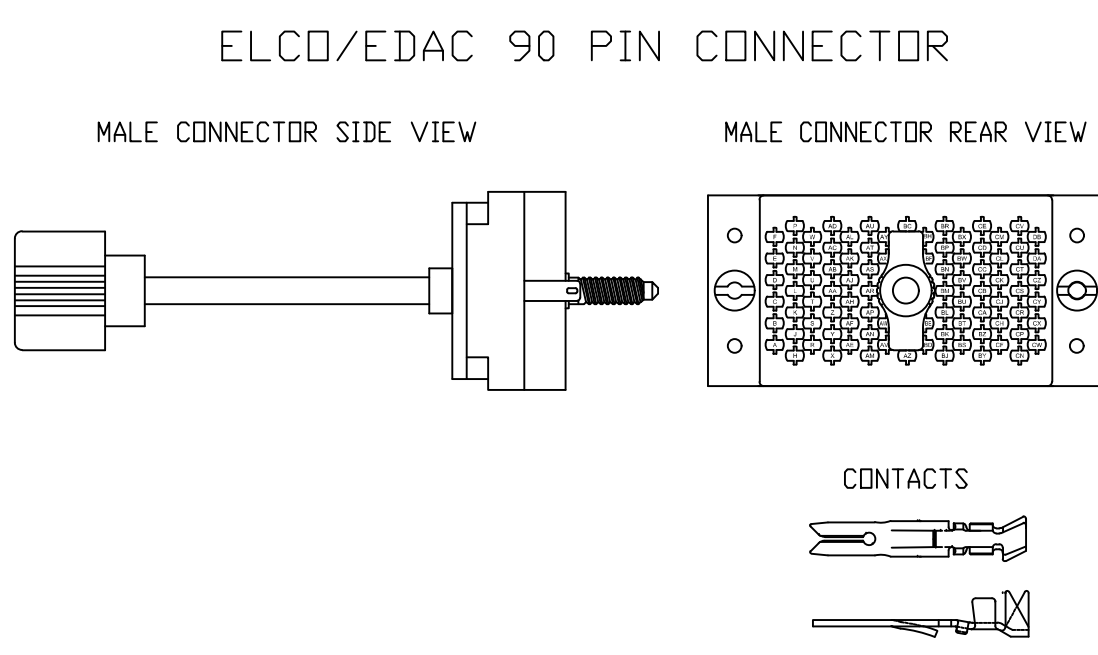
### E90 PIN-OUT

CHANNEL / (P) (RIGHT) / (L) (LEFT) / (S) (SHIELD) / (R) (RES)	1	2	3	4	5	6	7	8	9	10	11	12	13	14	15	16	17	18	19	20	21	22	23	24
A	H	R																						
B	J	S																						
C	K	T																						
D	L	U																						
E	M	V																						
F	N	W																						
G	O	X	AE	AM																				
H	P	Y	AF	AN																				
I	Q	Z	AH	AP																				
J	R	AA	AJ	AR																				
K	S	AB	AK	AS																				
L	T	AC	AL	AT																				
M	U	AD	AM	AN																				
N	V	AE	AM	AN																				
O	W	AF	AN	AO																				
P	X	AG	AO	AP																				
Q	Y	AH	AP	AQ																				
R	Z	AI	AP	AR																				
S	AA	AJ	AR	AS																				
T	AB	AK	AS	AT																				
U	AC	AL	AT	AV																				
V	AD	AM	AN	AO																				
W	AE	AM	AN	AO																				
X	AF	AN	AO	AP																				
Y	AG	AO	AP	AQ																				
Z	AH	AP	AQ	AR																				
AA	AJ	AR	AS	AT																				
AB	AK	AS	AT	AV																				
AC	AL	AT	AV	AW																				
AD	AM	AN	AO	AP																				
AE	AM	AN	AO	AP																				
AF	AN	AO	AP	AQ																				
AG	AO	AP	AQ	AR																				
AH	AP	AQ	AR	AS																				
AI	AP	AQ	AR	AS																				
AJ	AR	AS	AT	AV																				
AK	AS	AT	AV	AW																				
AL	AT	AV	AW	AX																				
AM	AN	AO	AP	AQ																				
AN	AO	AP	AQ	AR																				
AO	AP	AQ	AR	AS																				
AP	AQ	AR	AS	AT																				
AQ	AR	AS	AT	AV																				
AR	AS	AT	AV	AW																				
AS	AT	AV	AW	AX																				
AT	AV	AW	AX	AY																				
AV	AW	AX	AY	AZ																				
AW	AX	AY	AZ	BA																				
AX	AY	AZ	BA	BB																				
AY	AZ	BA	BB	BC																				
AZ	BA	BB	BC	BD																				
BA	BB	BC	BD	BE																				

### MALE CONNECTOR REAR VIEW (CONTACT INSERTION PATTERN)



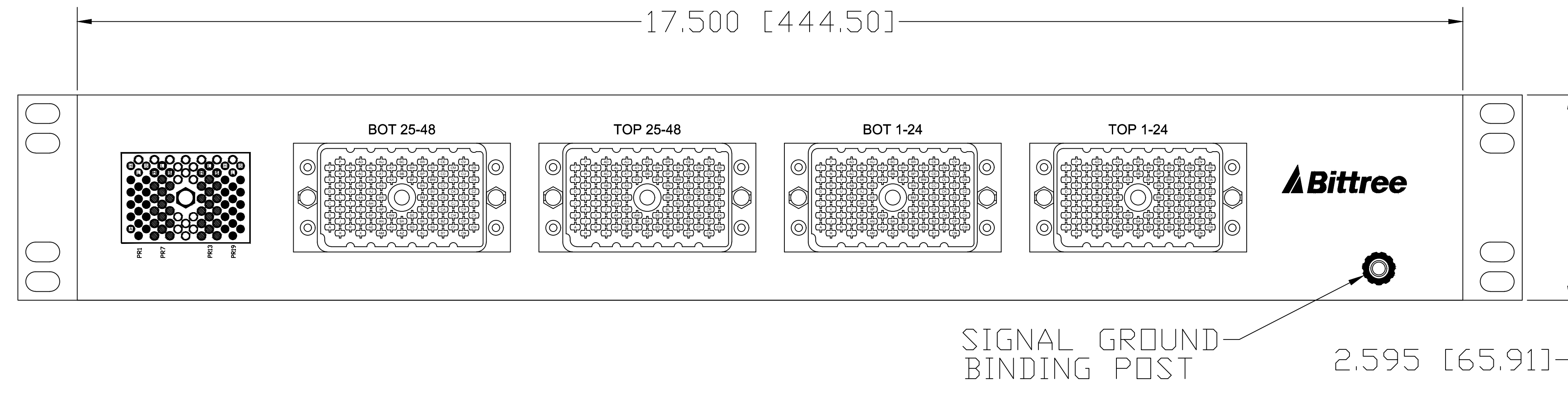
### SCHEMATIC HALF-NORMALED SWITCHED GND VIEW



MATING HARDWARE SUPPLIED  
 FOR PURCHASE OF ADDITIONAL MATING HARDWARE SEE ACCESSORIES DRAWING FOR PART NUMBERS.

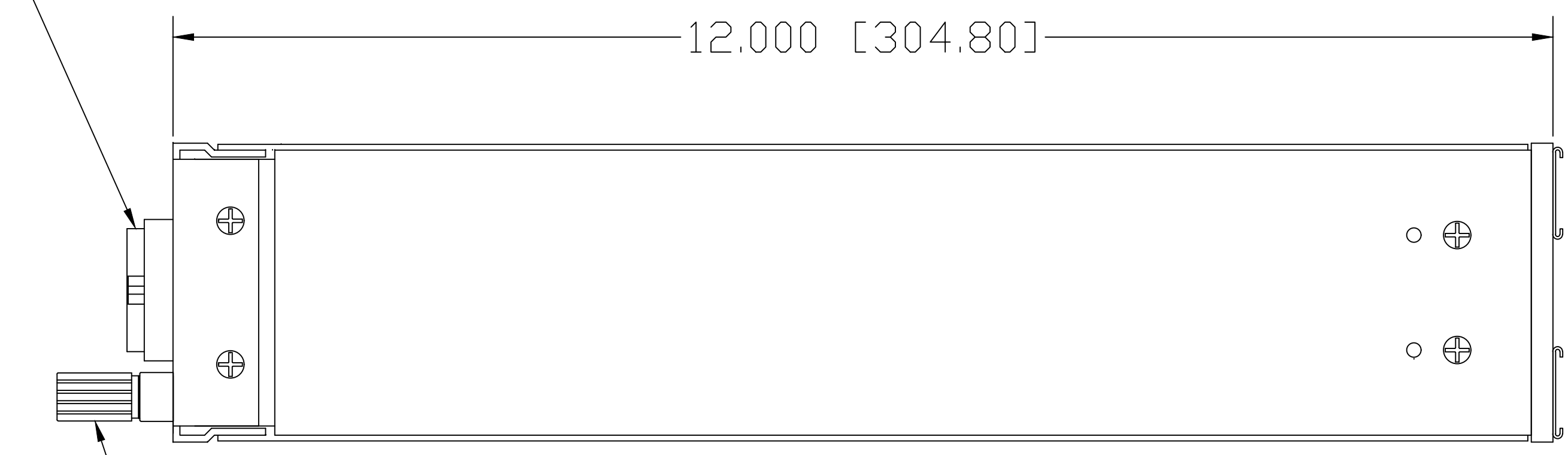
### TOOLS AND ACCESSORIES PART NUMBERS

DESCRIPTION	PART NUMBER
CONTACT CRIMP TOOL	K2MA-01
CONTACT REMOVAL TOOL	S16-280-300
CONTACT INSERTION TOOL	S16-280-400
90 PIN MALE CONNECTOR WITH SCREW	E90MS
90 PIN FEMALE CONNECTOR WITH NUT	E90FN
CONNECTOR CONTACTS (PINS)	EPIN
REPLACEMENT HARDWARE KIT	9690R
PROGRAMMING SHUNTS (RED)	382811-9
PROGRAMMING SHUNTS (WHITE)	382811-0

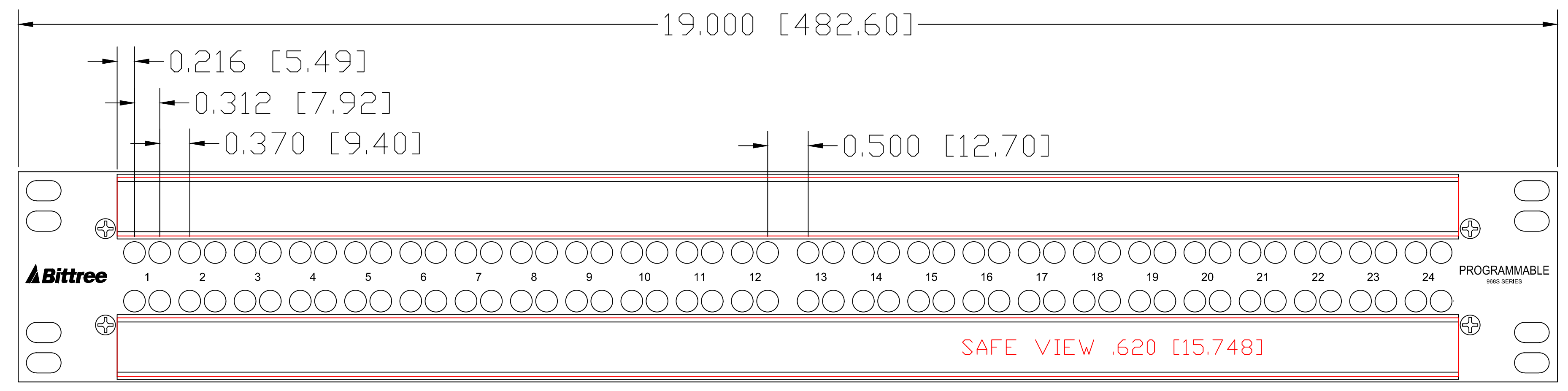


### REAR VIEW

### E90F CONNECTORS



### LEFT SIDE VIEW



### FRONT VIEW

DESIGNATION:	PART NBR.	DIMENSIONS
STAINLESS STEEL HOLDERS:	DS800-10/S,	.800 [20.320] x 16.560 [420.624]
TRANSLUCENT LEXAN INSERTS:	DS800-10/P,	.725 [18.415] x 16.560 [420.624]
WHITE STYRENE INSERTS:	DS800-10/D,	.725 [18.415] x 16.560 [420.624]

NOTE: DS\_INSERT LAYER IS A SCALED 1:1 LABEL INSERT OUTLINE

DATA CONTAINED IN THIS DOCUMENT IS PROPRIETARY AND SHALL NOT BE DISCLOSED, COPIED OR USED FOR PROCUREMENT OR MANUFACTURE WITHOUT EXPRESS WRITTEN PERMISSION OF BITTREE INCORPORATED

DWG. NO.: B96DCHNRSHE90S2DU12B  
 PART NO.: B96DC-HNRSH/E90 S2DU12B  
 DESIGNATION: DS800-10-ASSY

LAYER (DS\_INSERT) IS PROVIDED FOR THE CREATION OF LEGEND STRIPS FOR THIS PATCHBAY. THE RED OUTLINE MATCHES THE SIZE OF INSERT. PLEASE NOTE THE VIEWABLE AREA IS LISTED IN NOTES BELOW THE FRONT PANEL VIEW.

DWG. SCALE: FULL  
 PDF. SCALE: NONE

ALL POSSIBLE CARE HAS BEEN TAKEN IN PREPARING THIS SET OF DRAWINGS. STATEMENTS AND SPECIFICATIONS ARE BELIEVED TRUE BUT CANNOT BE GUARANTEED AND THEREFORE WE ARE NOT RESPONSIBLE FOR ANY INACCURACIES. THIS DOCUMENT SHOULD BE USED AS THE BASIS FOR DESIGN OR TO ESTABLISH SPECIFICATION LIMITS.

BITTREE RESERVES THE RIGHT TO CHANGE OR ALTER SPECIFICATIONS OR MATERIALS WITHOUT NOTICE. PROVIDED THE FUNCTION AND PERFORMANCE OF THE PRODUCT REMAINS REASONABLY SIMILAR OR IS IMPROVED.

REV.:	DATE: 11/7/2017	BY: G.S.	CHANGES:
-------	-----------------	----------	----------