



RoHS COMPLIANT



Bittree

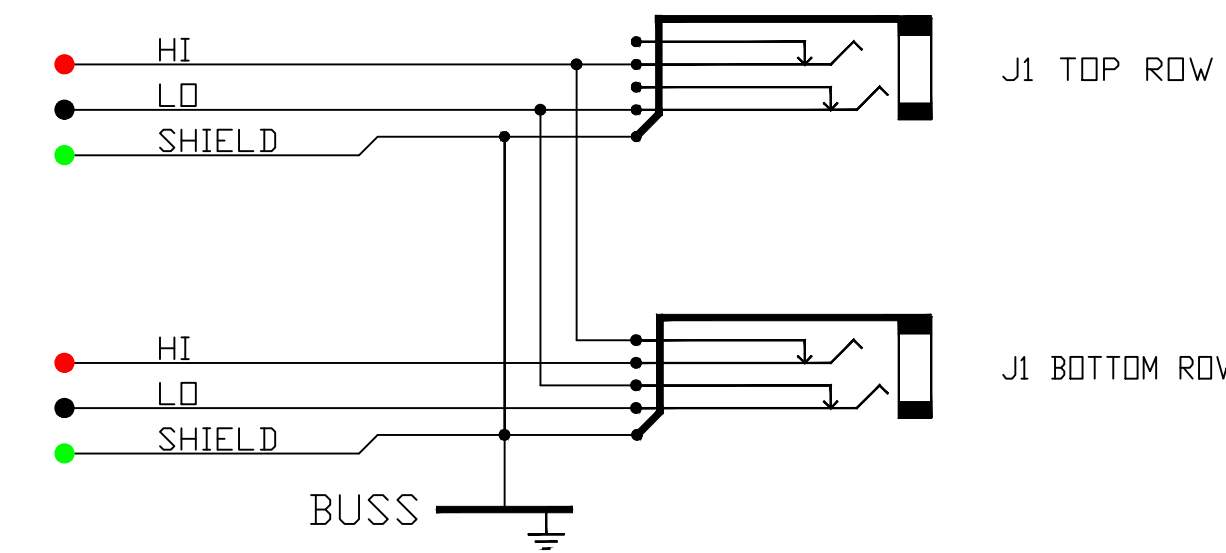
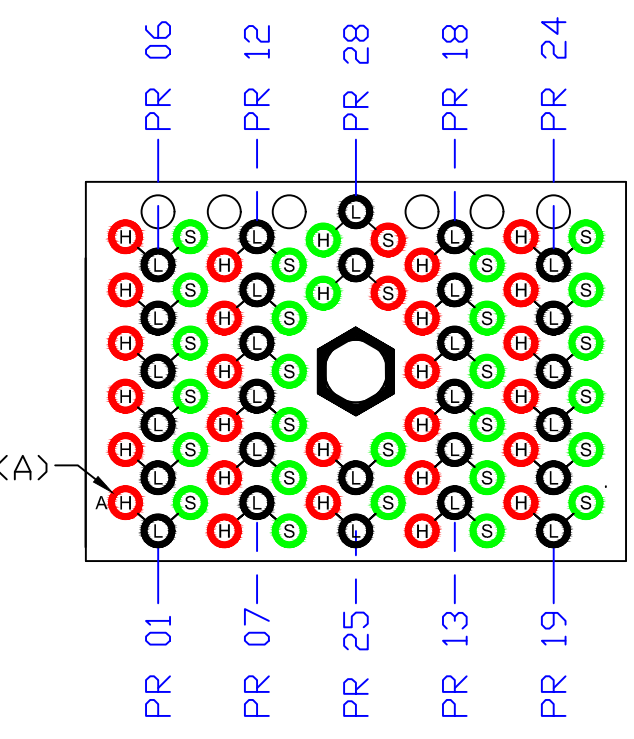
PATCHING SYSTEMS

AUDIO, VIDEO, DATA
600 WEST ELK AVENUE
GLENDALE, CA. 91204
TEL 818 500-8142
FAX 818 500-7062
WWW.BITTREE.COM

E:90 PIN-OUT

| CHANNEL | PR(HIGH) | LD(W) | SHIELD(B) |
|---------|----------|-------|-----------|
| 1 | A | H | S |
| 2 | B | J | S |
| 3 | C | K | U |
| 4 | D | L | U |
| 5 | E | M | V |
| 6 | F | N | V |
| 7 | X | AE | AM |
| 8 | Y | AF | AM |
| 9 | Z | AH | AP |
| 10 | AA | AJ | AR |
| 11 | AB | AK | AS |
| 12 | AC | AL | AT |
| 13 | AD | AM | AV |
| 14 | AE | AN | BZ |
| 15 | BE | AO | CA |
| 16 | BF | AP | CB |
| 17 | BN | BV | CC |
| 18 | BP | BX | CD |
| 19 | CP | CN | CV |
| 20 | CH | CP | CV |
| 21 | CJ | CS | CZ |
| 22 | CK | CS | CZ |
| 23 | CL | CT | DA |
| 24 | CH | CU | DB |
| 25 | AV | AZ | BD |
| 26 | AV | BA | BE |

MALE CONNECTOR REAR VIEW (CONTACT INSERTION PATTERN)

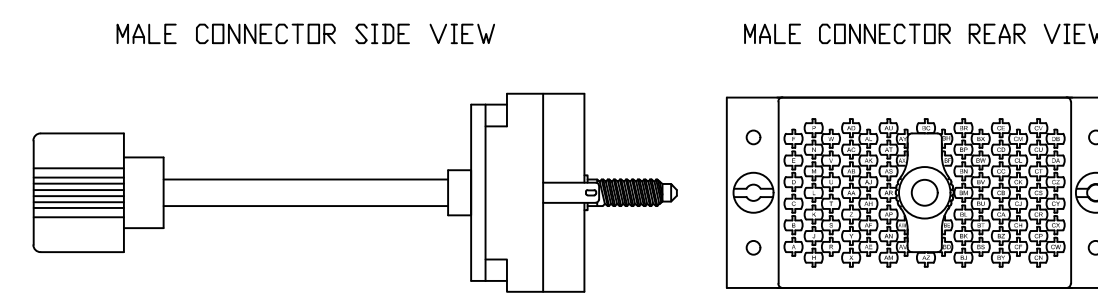


SCHMATIC
HALF-NORMALIZED BUSSED GND VIEW

TOOLS AND ACCESSORIES PART NUMBERS

| DESCRIPTION | PART NUMBER |
|----------------------------------|-------------|
| CONTACT CRIMP TOOL | K2MA-01 |
| CONTACT REMOVAL TOOL | S16-280-300 |
| CONTACT INSERTION TOOL | S16-280-400 |
| 90 PIN MALE CONNECTOR WITH SCREW | E90MS |
| 90 PIN FEMALE CONNECTOR WITH NUT | E90FN |
| CONNECTOR CONTACTS (PINS) | EPIN |
| REPLACEMENT HARDWARE KIT | 9690R |
| PROGRAMMING SHUNTS (RED) | 382811-9 |
| PROGRAMMING SHUNTS (WHITE) | 382811-0 |

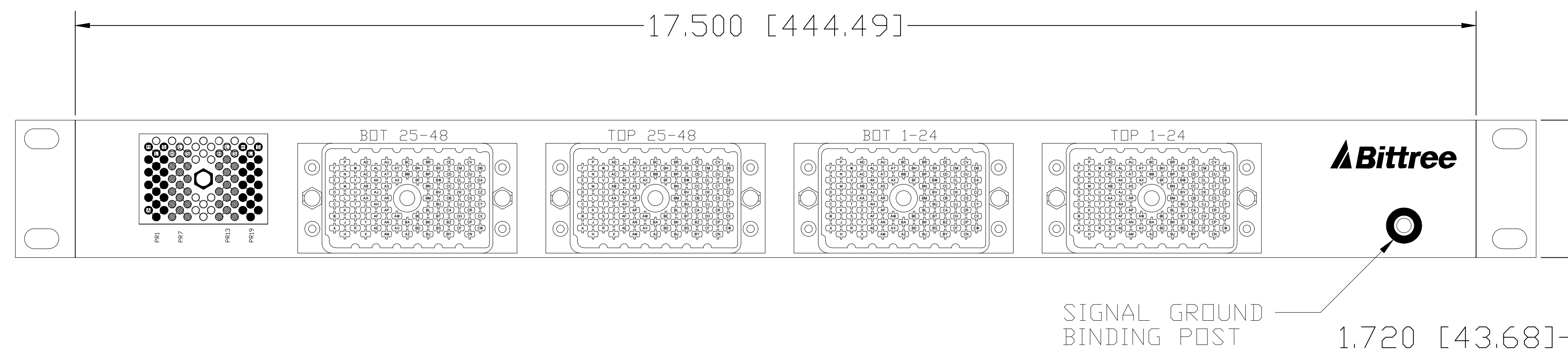
ELCO/EDAC 90 PIN CONNECTOR



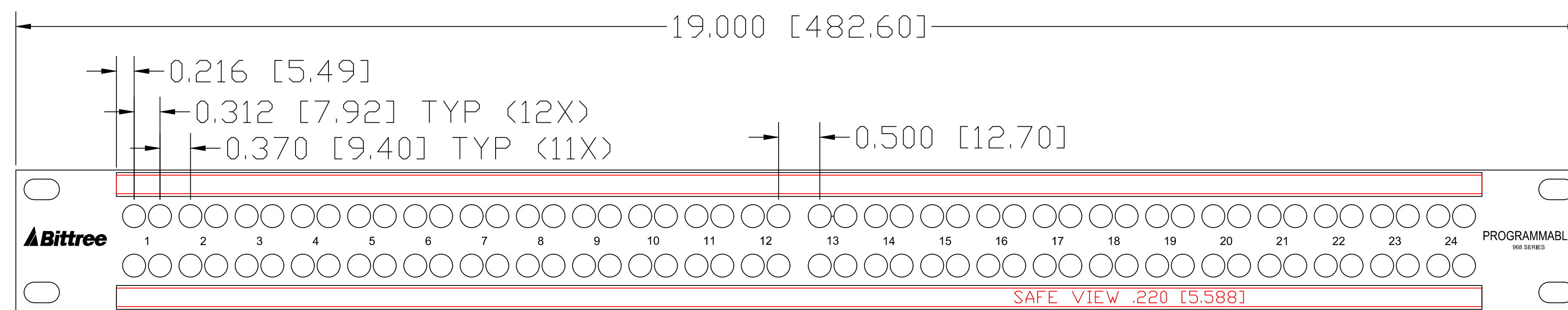
CONTACTS

MATING HARDWARE SUPPLIED

FOR PURCHASE OF ADDITIONAL MATING HARDWARE
SEE ACCESSORIES DRAWING FOR PART NUMBERS.

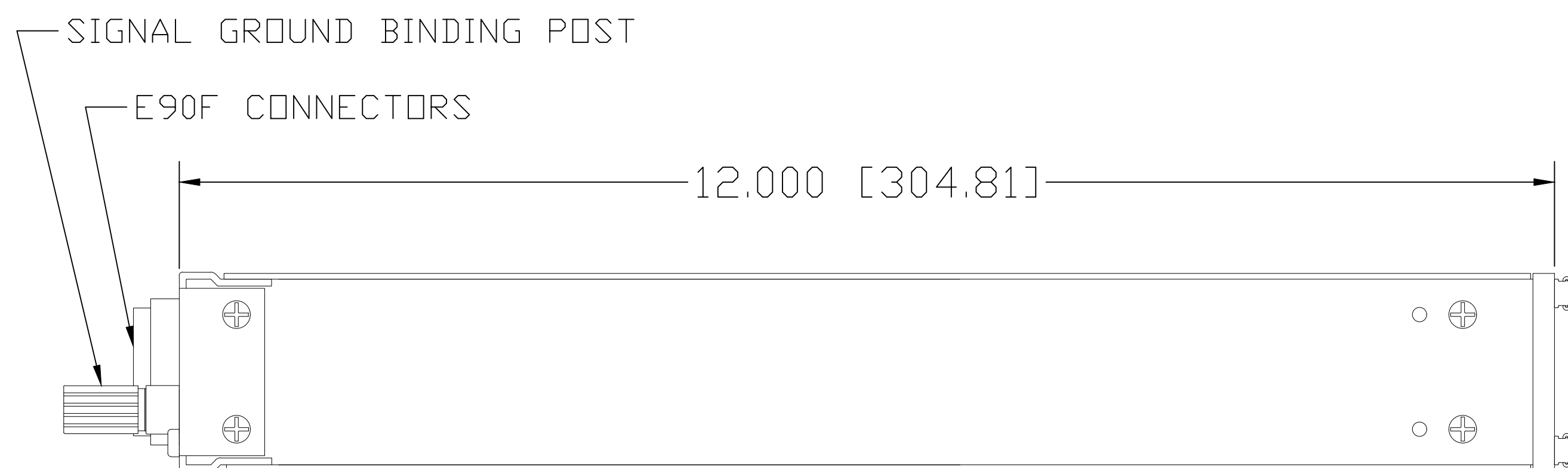


REAR VIEW



| DESIGNATION: | PART NBR. | DIMENSIONS |
|--------------------|-------------|---------------------------------|
| DESIGNATION HOLDER | DS250-10/B, | .250 [6.350] x 16.560 [420.624] |
| SNAP-ON CAP | DS250-10/C, | .290 [7.336] x 16.560 [420.624] |

FRONT VIEW



LEFT SIDE VIEW

DATA CONTAINED IN THIS DOCUMENT IS PROPRIETARY AND SHALL NOT BE DISCLOSED, COPIED OR USED FOR PROCUREMENT OR MANUFACTURE WITHOUT EXPRESS WRITTEN PERMISSION OF BITTREE INCORPORATED

DWG. NO.:
B96DCHNIBSE90S2DU12B

PART NO.:
B96DC-HNIBS/E90 S2DU12B

DESIGNATION: DS250-10-ASSY

LAYER (DS_INSERT) IS PROVIDED FOR THE CREATION OF LEGEND STRIPS FOR THIS PATCHBAY. THE RED OUTLINE MATCHES THE SIZE OF INSERT. PLEASE NOTE THE VIEWABLE AREA IS LISTED IN NOTES BELOW THE FRONT PANEL VIEW.

DWG. SCALE: FULL

PDF. SCALE: NONE

ALL POSSIBLE CARE HAS BEEN TAKEN IN PREPARING THIS SET OF DRAWINGS. STATEMENTS AND SPECIFICATIONS ARE BELIEVED TRUE BUT CANNOT BE GUARANTEED AND THEREFORE WE ARE NOT RESPONSIBLE FOR ANY INACCURACIES. THIS DOCUMENT SHOULD BE USED AS THE BASIS FOR DESIGN OR TO ESTABLISH SPECIFICATION LIMITS.

BITTREE RESERVES THE RIGHT TO CHANGE OR ALTER SPECIFICATIONS OR MATERIALS WITHOUT NOTICE. PROVIDED THE FUNCTION AND PERFORMANCE OF THE PRODUCT REMAINS REASONABLY SIMILAR OR IS IMPROVED.

| | | | |
|-------|------------------|----------|----------|
| REV.: | DATE: 10/31/2017 | BY: G.S. | CHANGES: |
|-------|------------------|----------|----------|