



RoHS COMPLIANT



Bittree

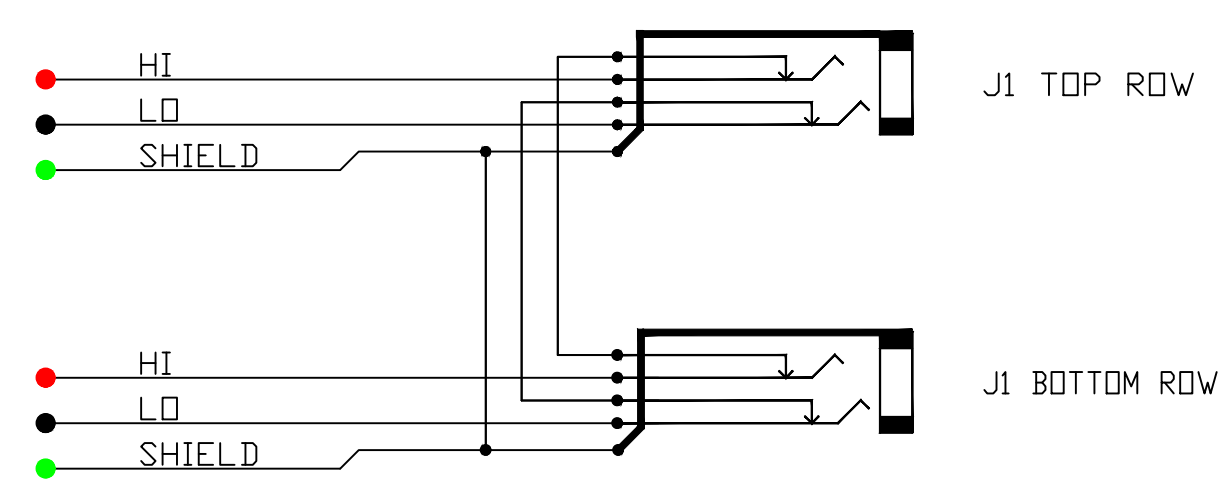
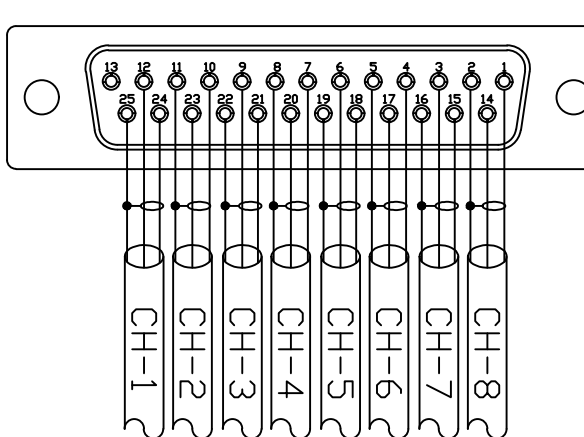
PATCHING SYSTEMS

AUDIO, VIDEO, DATA
 600 WEST ELK AVENUE
 GLENDALE, CA. 91204
 TEL 818 500-8142
 FAX 818 500-7062
 WWW.BITTREE.COM

DA88 STANDARD
 CHART FOR DB25 PIN-OUT

PAIR	HI	LO	SH
1	24	12	25
2	10	23	11
3	21	9	22
4	7	20	8
5	18	6	19
6	4	17	5
7	15	3	16
8	1	14	2

DB25 MALE CONNECTOR
 REAR VIEW

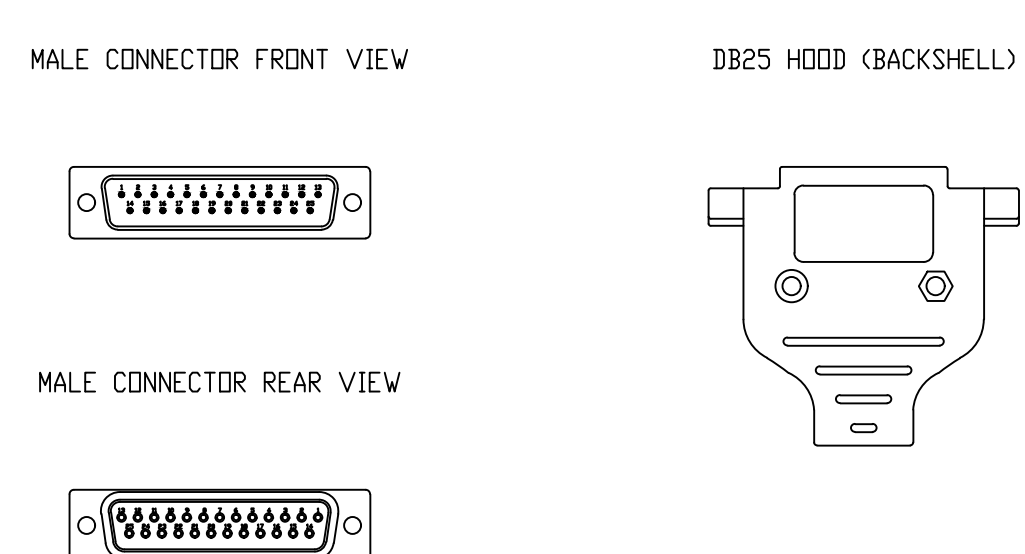


SCHEMATIC
 FULL-NORMALED LOOPED GND VIEW

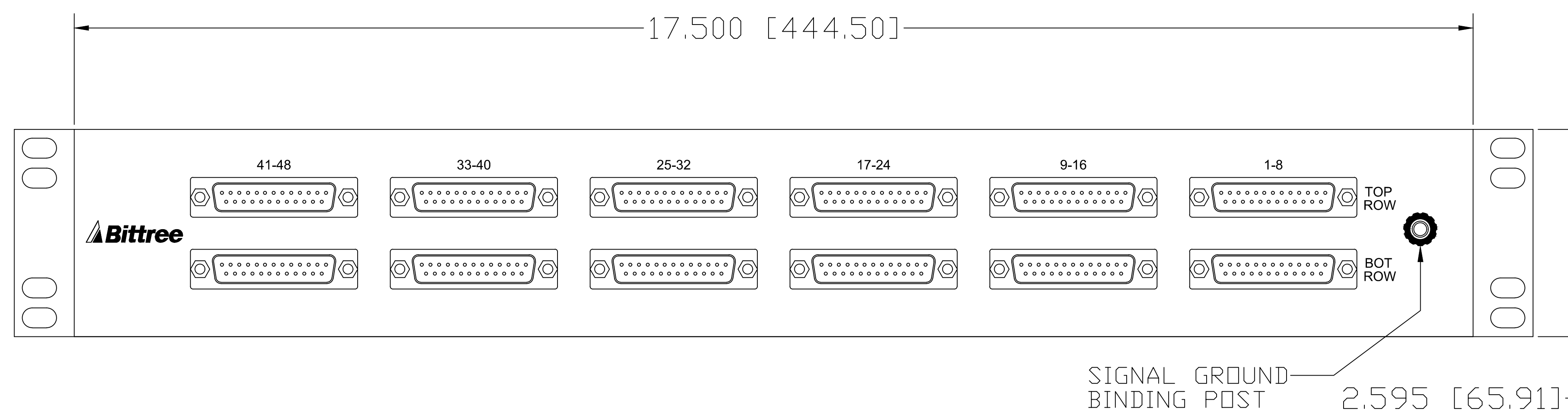
TOOLS AND ACCESSORIES PART NUMBERS

DESCRIPTION	PART NUMBER
PROGRAMMING SHUNTS (RED)	382811-9
PROGRAMMING SHUNTS (WHITE)	382811-0
LACING BAR 6IN (152.4MM)	LB-17500
LACING BAR 3IN (76.2MM)	LB175-3
DB25 MALE WITH SOLDER PIN	DS-25P/T
25 PIN DSUB METAL HOOD	DM-25C

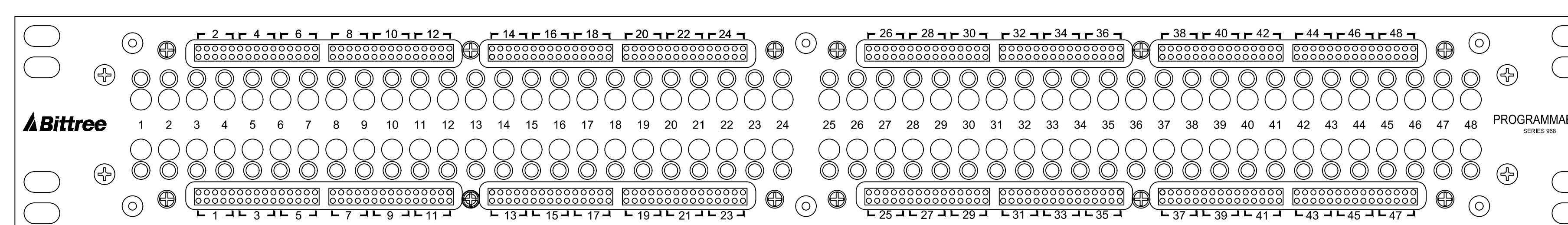
DB25M CONNECTOR



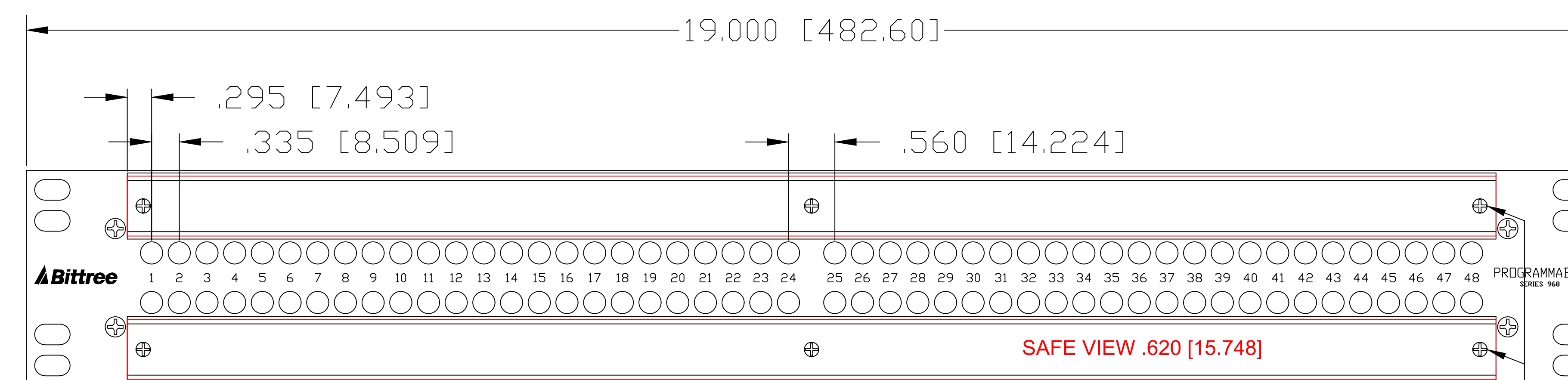
FOR PURCHASE OF MALE DB25M MATING HARDWARE
 SEE ACCESSORIES DRAWING FOR PART NUMBERS.



REAR VIEW



FRONT VIEWS



DESIGNATION:	PART NBR.	DIMENSIONS
STAINLESS STEEL HOLDERS:	DS800-10/S,	.800 [20.320] x 16.560 [420.624]
TRANSLUCENT LEXAN INSERTS:	DS800-10/P,	.725 [18.415] x 16.560 [420.624]
WHITE STYRENE INSERTS:	DS800-10/D,	.725 [18.415] x 16.560 [420.624]

REMOVE SCREWS
 TO ACCESS
 PROGRAMMING
 SHUNTS (6X)

DATA CONTAINED IN THIS DOCUMENT
 IS PROPRIETARY AND SHALL NOT BE
 DISCLOSED, COPIED OR USED FOR
 PROCUREMENT OR MANUFACTURE
 WITHOUT EXPRESS WRITTEN PERMISSION
 OF BITTREE INCORPORATED

DWG. NO.:
 B96DCFNILHD25M20U7B
 PART NO.:
 B96DC-FNILH/D25 M20U7B
 DESIGNATION: DS800-10-ASSY

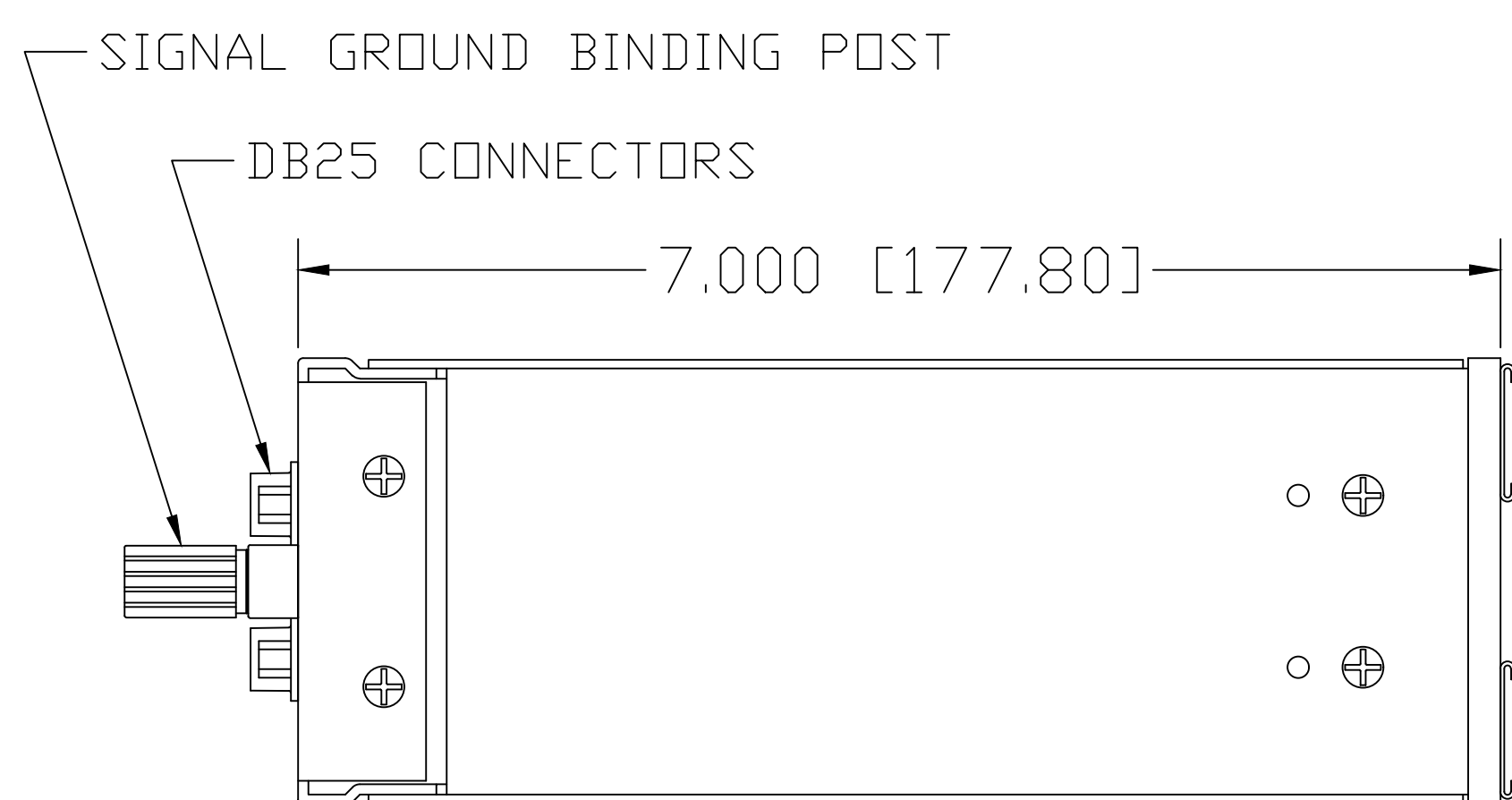
LAYER (DS_INSERT) IS PROVIDED
 FOR THE CREATION OF LEGEND
 STRIPS FOR THIS PATCHBAY. THE
 RED OUTLINE MATCHES THE SIZE
 OF INSERT.
 PLEASE NOTE THE VIEWABLE AREA
 IS LISTED IN NOTES BELOW THE
 FRONT PANEL VIEW.

DWG. SCALE: FULL

PDF. SCALE: NONE

ALL POSSIBLE CARE HAS BEEN TAKEN IN
 PREPARING THIS SET OF DRAWINGS.
 STATEMENTS AND SPECIFICATIONS ARE
 BELIEVED TRUE BUT CANNOT BE
 GUARANTEED AND THEREFORE WE ARE
 NOT RESPONSIBLE FOR ANY
 INACCURACIES. THIS DOCUMENT SHOULD
 BE USED AS THE BASIS FOR DESIGN OR
 TO ESTABLISH SPECIFICATION LIMITS.

BITTREE RESERVES THE RIGHT TO
 CHANGE OR ALTER SPECIFICATIONS OR
 MATERIALS WITHOUT NOTICE. PROVIDED
 THE FUNCTION AND PERFORMANCE OF
 THE PRODUCT REMAINS REASONABLY
 SIMILAR OR IS IMPROVED.



LEFT SIDE VIEW

REV.:	DATE: 10/23/2017	BY: G.S.	CHANGES:
-------	------------------	----------	----------