

S I G H T  M A R K [®]

USER MANUAL

NIGHT VISION RIFLESCOPES

Night Raider 2.5x50 and 3x60



English / Francais / Español / Deutsch

ABOUT SIGHTMARK®

Sightmark offers a wide range of products that include red dot scopes, reflex sights, rangefinders, riflescopes, laser sights, night vision and award-winning flashlights and boresights. Sightmark products are inspired by military and law enforcement applications. All products are designed to be the most effective weapon accessories possible.

Sightmark - MAKE YOUR MARK

S I G H T  M A R K®

www.sightmark.com

Sightmark Night Raider NV riflescopes 1-17

Viseurs Nocturnes Sightmark "Night Raider" 18-34

Visors de Visión Nocturna Sightmark 'Night Raider' ... 35-51

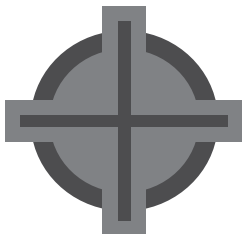
Nachtsichtvisiers Sightmark "Night Raider" 52-68

ENGLISH

FRANCAIS

ESPAÑOL

DEUTSCH



ENGLISH



FEATURES:

- 2.5x50 and 3x60 options (*sold separately*)
- Two-color range finding reticle (*red or green*)
- High quality image and resolution
- Close observational range of focus (*5m*)
- Lightweight and extremely durable titanium body
- Built-in, high power IR illuminator with beam focus
- Incremental reticle brightness adjustment
- IPX4 rating against water intrusion
- Precision internal windage / elevation adjustment
- Ergonomic design
- Quick power-up
- Vertical positioning of the battery to ensure an uninterrupted power supply when shooting
- Remote stabilized power supply
- Protective flip-up objective lens cover
- Weaver MIL-STD-1913 rail
- Protective carrying case
- Remote control with secure attachment
- Photo and video adaptable

TECHNICAL SPECIFICATIONS - 2.5x50

Magnification	(x)	2.5
Objective	(mm)	50
Generation		1
Resolution	(lines / mm)	35
Field of view	(degrees)	13
Detection range*	(m / yds)	200 / 219
Minimum focus range	(m / yds)	5 / 5
Diopter setting	(D)	± 3
Power supply; battery type voltage	(V)	(2) AA 3
Battery life, without IR	(hours)	70
Eye relief	(mm)	45
Operating temperature	(°C / °F)	-30 ~ +40 / -22~+104
Dimensions	(in / mm)	10.6x3.9x3.5 / 270x100x90
Weight	(oz / kg)	35.2 / 1.0

INCLUDES:

- Protective carrying case
- Remote control
- Extra Weaver rail for a digital camera adapter
(supplied only for riflescopes with a Weaver mount)
- Limited Lifetime Warranty



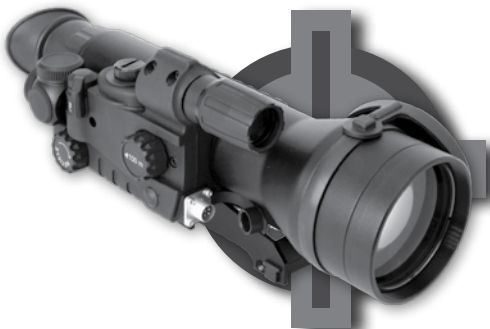
* In natural night conditions 0.05 lux, quarter moon.

TECHNICAL SPECIFICATIONS - 3x60

Magnification	(x)	3
Objective	(mm)	60
Generation		1
Resolution	(lines / mm)	35
Field of view	(degrees)	11
Detection range*	(m / yds)	200 / 219
Minimum focus range	(m / yds)	5 / 5
Diopter setting	(D)	± 3
Power supply; battery type voltage	(V)	(2) AA 3
Battery life, without IR	(hours)	70
Eye relief	(mm)	45
Operating temperature	(°C / °F)	-30 ~ +40 / -22~+104
Dimensions	(in / mm)	12x3.9x3.5 / 307x100x90
Weight	(oz / kg)	35.2 / 1.0

INCLUDES:

- Protective carrying case
- Remote control
- Extra Weaver rail for a digital camera adapter
(supplied only for riflescopes with a Weaver mount)
- Limited Lifetime Warranty



* In natural night conditions 0.05 lux, quarter moon.

DIAGRAM - 2.5x50

1. Battery compartment
2. Objective lens / cover
3. ON / OFF / IR switch
4. Reticle brightness adjustment
5. Reticle color selection button
6. Objective focus knob
7. Eyepiece ring
8. IR illuminator
9. Mount
10. Photo / video adapter outlet
11. Windage / elevation knobs
12. Weaver rail

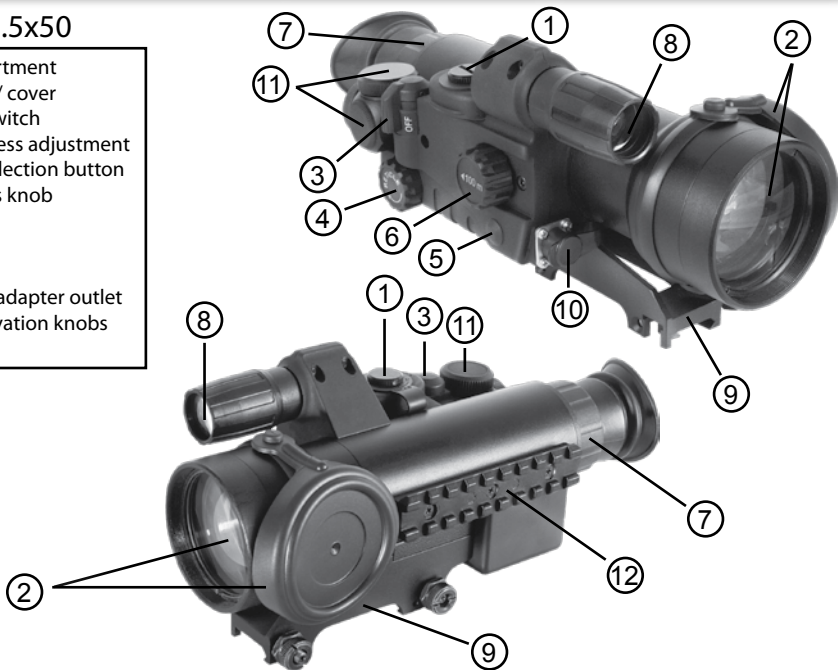
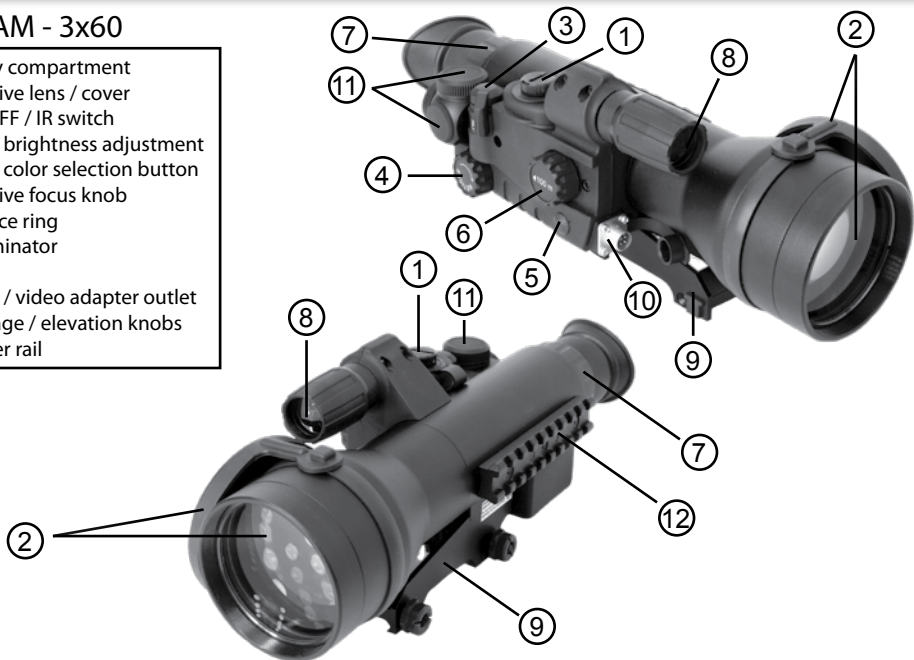


DIAGRAM - 3x60

1. Battery compartment
2. Objective lens / cover
3. ON / OFF / IR switch
4. Reticle brightness adjustment
5. Reticle color selection button
6. Objective focus knob
7. Eyepiece ring
8. IR illuminator
9. Mount
10. Photo / video adapter outlet
11. Windage / elevation knobs
12. Weaver rail



ABOUT THE SIGHTMARK NIGHT RAIDER NV RIFLESCOPES

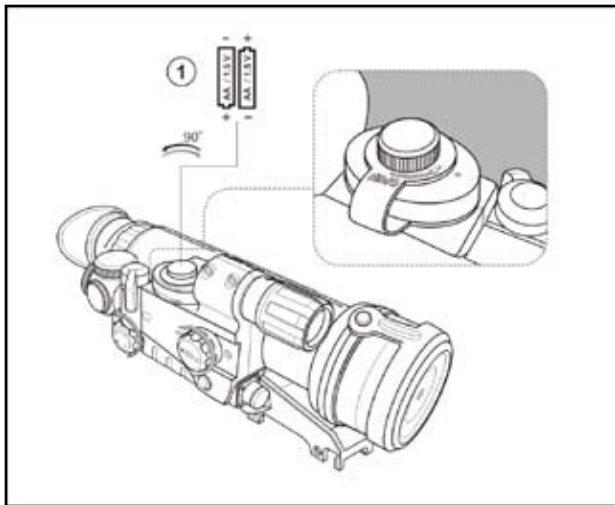
The Night Raider is a universal night vision scope, which is ideal for night observation and hunting.

The Night Raider night vision riflescopes are intended for observation, and shooting at dusk or during the night-time hours. It is a passive starlight device, and in most conditions does not require an artificial or IR light source. The scope is built with a high performance Gen1 image intensifier tube, and a built-in IR illuminator enhances viewing ability in environments of absolute darkness. The stabilized power supply works up to 70 hours using only two AA batteries; depleted batteries do not affect aiming ability. An additional remote stabilized power supply was designed for optimized power consumption, which ensures a consistent aiming point in conditions of continuous power draw or drop in temperature.

As with every Sightmark product, the Night Raider NV riflescopes are quality shooting accessories for any function.

BATTERY INSTALLATION

- 1) Turn the knob of the battery compartment cover 90° counterclockwise (1) to match the red dot on the knob with the red dot on the battery compartment cover.
- 2) Remove the cover by raising it by its lug.



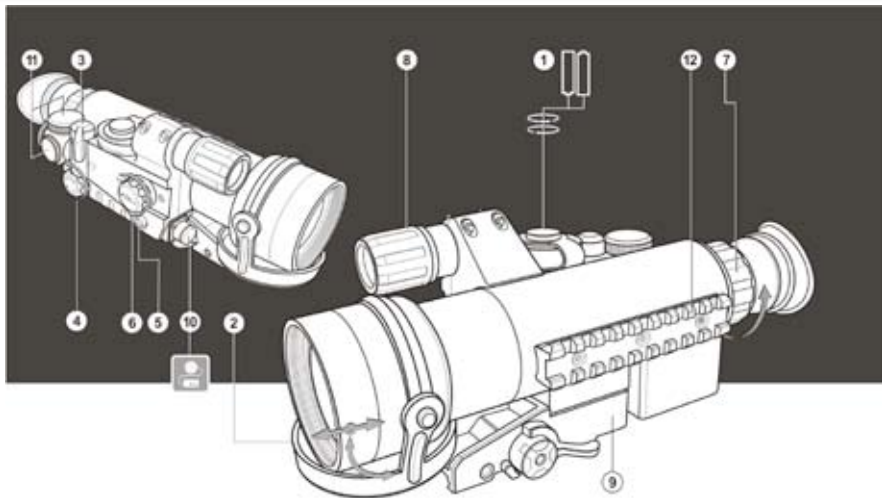
- 3) Slide in two AA batteries so that the "+" and "-" match the polarity on the inner side of the cover; rechargeable AA batteries may be used.
- 4) Close the cover of the battery compartment cover and turn the knob of the cover 90° clockwise.

OPERATING INSTRUCTIONS

WARNING: It is strongly recommended to test and operate the Night Raider in dark conditions, or during the nighttime.

- 1) Install the batteries according to the directions in the section entitled "BATTERY INSTALLATION".
- 2) Enter a dark environment.
- 3) Remove the objective lens cap by sliding it up on top of the objective lens (2).
- 4) Activate the scope by turning the power switch to the "ON" position (3); the indicator will turn green.
- 5) A red indicator means that batteries are low and the scope will be working with the IR illuminator turned on for 30 more minutes.
- 6) Select the color of the reticle, green or red, by pushing the button (5).
- 7) Adjust the reticle brightness by rotating the switch (4).
- 8) Please select an object of observation at a distance of approximately 100 meters (*about 110 yards*) away.
- 9) Set up the objective focus ring knob (6) to be aligned with the mark "100"; it will become tighter as it reaches the mark, which is normal.
- 10) Focus on the selected object by rotating the eyepiece ring (7).
- 11) If needed, turn on the IR illuminator (8) by turning the switch (3) to the "IR" position. The red IR LED indicator lights up.
- 12) Rotate the IR illuminator lens ring until the IR illuminator beam is focused.
- 13) If, after all the settings are completed and the image is still not clear, despite the distance and conditions DO NOT rotate the eyepiece ring (7). Refocus by turning the objective lens ring (6) only and adjusting the IR illuminator (8) beam focus.
- 14) To turn off the Night Raider, simply turn off the scope and place the cover over the objective lens.
- 15) After mounting the scope onto a rifle for the first time, zero it by following the instructions in the "SIGHTING IN THE NIGHT RAIDER" section.

Note: The Night Raider and its IR can be activated using the remote control.



SIGHTING IN THE NIGHT RAIDER

WARNING: Be sure to follow proper safety instructions provided by the weapon manufacturer or vendor.

1) To test the scope in a lighted area, protect the intensifier by keeping the lens cover over the objective lens of the scope. Regardless of being in the "ON" or "OFF" position, the IR illuminator will not have any effect in a lighted environment.

Note: The sighting of the scope should be performed under the same environmental and temperature conditions as the ones that the scope will be exposed to during its use.

2) In cases where the aiming point (*the center of the reticle*) does not match the center of target, adjust it by turning the windage/elevation knobs (11) RIGHT & UP until the aiming point (*the center of the reticle*) matches the center of the target.

3) Take 3-4 control shots, trying to be as accurate as possible and aiming at the center of the target. Examine the results. If the results are noticeably skewed to one of the sides from the center, adjust by turning the windage/elevation adjustment knobs RIGHT & UP, as needed. Repeat the control shots until the aiming point matches the center of the target.

Remember: one click equals 20 mm (3/4 inch) at a distance of 100 meters (110 yards).

USING THE RETICLE AS A RANGEFINDER

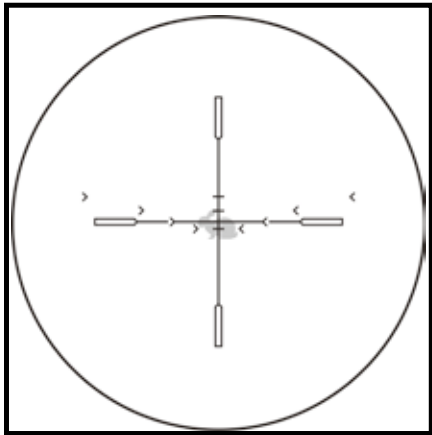
The range finding reticle in your Night Raider was designed to assist you in determining the range of your target. The range can be determined using the marks (*chevrons*) on the horizontal line as well as bars on vertical line of the reticle.

Note: To utilize this feature, the Night Raider needs to be sighted at 50 meters (55 yards).

HORIZONTAL SCALE:

If a 0.5 meter (1.6') wide target fits between the two closest center marks on the horizontal line of the reticle, the target is 50 meters (55 yards) away. If the same target fits between the marks located just beneath the horizontal line of the reticle, the target is 100 meters (110 yards) away. If the same target fits between the marks located above the horizontal line of the reticle, the target is 25 meters (27 yards) away. See the drawing, below.

*Picture: Target Size .5m
- Distance 100m/110y*



VERTICAL SCALE:

The four short horizontal bars are located on the main vertical line. If a 0.5 meter (1.6') high target fits between the top marks and the bottom mark right below the horizontal line, the target is 25 meters (27 yards) away. The other two horizontal bars on the vertical line correspond to 50 meters (55 yards) and 100 meters (100 yards) accordingly.

Note: If the determined range is 100 meters (110 yards), aim at the center of the target using the horizontal bar below the center crosshairs.

Note: It is possible to select the color of the reticle of the Night Raider. Red is best when used in clear viewing conditions. Green is preferable for use when viewing is obscured.

USING THE REMOTE CONTROL CONSOLE

The Night Raider is supplied with a remote control console. The console has three buttons:

- 1) "ON" button - turns on/off the riflescope (*fixed when pressed*).
- 2) "IR" button - turns on/off the built-in IR Illuminator (*fixed when pressed*).
- 3) "Quick start" button - quick start-up of the riflescope and IR illuminator (*the device works only when the button is continuously pressed*). After this button is released, the riflescope turns off, the IR Illuminator and reticle go out, but the tube's residual green glow remains for some time afterwards.

INSPECTION

It is recommended to inspect the Night Raider before each use for:

- Body condition; cracks, deep dents and corrosion are not acceptable.
- Check that the scope is firmly attached to the rifle.
- Objective lens, eyepiece and IR illuminator condition; cracks, finger marks, dirt, water drops and other stains are not acceptable.
- Make sure not to use depleted batteries or batteries that show electrolyte stains, salt or acid leaks; these conditions may result in damage to the scope.
- Check that the power switches (3) and the reticle brightness knob (4) are functioning normally.
- Check that the objective lens ring (6) and the eyepiece ring (7) are movable.

STORAGE

Always keep the scope in its carrying case in a dry, well ventilated space. Storage temperature should not be below +10°C (+50°F), and humidity no higher than 70%. Remove the batteries if the scope will not be used for more than 1 month.

MAINTENANCE

It is recommended that technical maintenance should be performed on the Night Raider at least two times a year; tasks for technical maintenance include:

- To clean the exterior of the scope of dust, dirt and moisture using a dry tissue applied with a few drops of gun oil or similar substance.
- To clean the electrical contact lead located in the battery housing using pure alcohol.
- To examine the lenses of the eyepiece, objective lens and IR illuminator, and blow off sizable particles of sand and dust; clean the lenses only if necessary.
- Do not pour liquids directly onto the lens surface when cleaning; apply the solution to a clean, dry cloth and then proceed to clean the lens.

Warning: Please use extreme caution when handling hazardous substances, such as alcohol.

WARNING

The Night Raider is not recommended for use with cartridges producing recoil rating higher than 3700 joules or calibers in excess of 7.62/.308. The manufacturer's warranty will be voided if damage is caused by caliber cartridges greater than 7.62/.308, hand made cartridges or shooting from a smooth-bore barrel.

- Do not remove the lens cap in a lit area if the scope has been activated, or if the eyepiece is emitting a green glow.
- Exposure to bright light can damage the image intensifier tube (IIT).
- Do not remove the objective lens cover in a lit area immediately after using the scope. It will stay activated for 20 minutes after the unit has been turned off.
- The scope has an IPX4 water resistance rating. It is water resistant and can be used in inclement weather conditions.
- Do not attempt to repair or disassemble the scope!
- Clean the scope's optical surfaces only if necessary, and use caution. Remove dust and sand by blowing air across the optic surface, then apply lens cleaning fluid for multi layered optics onto a soft cloth or tissue and wipe carefully. Do not pour any fluid, including alcohol, onto the lenses directly.
- The scope can be used in temperatures ranging from -30°C to +40°C. However, when it is brought indoors from cold temperatures, wait 3-4 hours before using the unit.
- Consult a qualified gunsmith if there is difficulty attaching the scope firmly to a rifle or if there is uncertainty about the right type of mount. The weapon mount can be deformed or destroyed by shooting with a riflescope that is not mounted correctly.
- Regular maintenance of the scope will help keep the device free from malfunctions and the untimely wearing of parts and connectors.

Failure to observe these warnings will void the manufacturer's warranty.

TROUBLESHOOTING

Listed below are some potential problems that may occur when using the Night Raider. Carry out the recommended checks and troubleshooting steps in the order listed. Please note that the following list does not mention all of the possible problems. If the problem experienced with the scope is not listed, or if the suggested action meant to correct it does not resolve the problem, please contact the manufacturer.

The riflescope does not turn on:

- The batteries have been installed incorrectly. Reinstall the batteries with the correct polarity orientation.
- The total battery charge is less than 2.0V. Install fresh batteries.
- Oxidized contact points in the battery compartment due to “leaky” batteries or the contact points becoming exposed to a chemically reactive solution. Clean the battery compartment, focusing on the contact points.

The reticle is blurred and can not be focused with the eyepiece:

The eyepiece is not adjusted correctly. Adjust the eyepiece according to the instructions in the “OPERATING INSTRUCTIONS” section.

There is a clear reticle image, but the image of the target at least 30m away is blurred:

- The eyepiece is not adjusted correctly. Adjust the eyepiece according to the instructions in the “OPERATING INSTRUCTIONS” section.
- Dust and moisture are covering the outside optical surfaces. Clean the lens surfaces with a soft cotton tissue or cloth.
- Condensation collects on the inside of the objective and the eyepiece lenses, or is on the optical surfaces of the electronic-optical converter, and may be caused by the scope fogging due to a rapid change in temperature; for example, when the scope is brought from a cold into a warm environment. Let the unit dry by leaving it in a warm environment for 4 hours.

Distinct black dots or specks appear on the screen while the image is focused:

The dots are cosmetic blemishes resulting from ITT production processes and do not interfere with the reliability or performance of the scope; the size of the dots are specified in the technical requirements for IIT and the scope itself.

The scope or the IR do not turn off via the “ON/OFF” switch on the scope:

The scope was activated by remote control. Turn off the scope and IR by using the remote control.

The displacement of the reticle while shooting:

The scope is not mounted securely. Check that the scope is firmly attached to the mount and make sure that the same type and caliber bullets are being used as when the scope was initially sighted in; if the scope was sighted in during the summer, and is now being used in the winter, or vice versa, a small displacement of the aiming point is possible.

The scope does not focus:

Wrong settings. Adjust the scope according to the instructions in the “OPERATING INSTRUCTIONS” section and check the eyepiece and objective lens condition; if necessary, clean the lenses of dirt, dust, condensation, frost, etc. to prevent fogging in cold weather and apply a special anti-fog solution.

SIGHTMARK LIMITED WARRANTY

Your product is warranted free of defects in materials and workmanship. In the event of a defect under this warranty, we will, at our option, repair or replace the product. For night vision products, the image intensifier tube that enables night vision capability is warranted to be free from defects for a period of 3 years, as are other electronic components and light emitting devices such as lasers, red dots, and holographic imaging devices. However, light bulbs, batteries and other consumable components are not applicable to this warranty. This warranty does not cover damages caused by misuse or improper handling. Also, this warranty is null and void if modification or maintenance is provided by someone other than the manufacturer.

If you are sending in a product for a warranty repair, you will be required to fill out a RA request form, which can be found at the brand's website. Once the form has been received and processed, you will receive a confirmation email containing your RA number and a PDF Return Form. The Return Form must be filled out completely, and mailed in, with your product. In order for your repair to be successfully fulfilled, be sure to closely follow all instructions outlined by the Return Form. If any of the aforementioned instructions are not properly followed, your request cannot be processed and the product will be held until you are contacted, and proper documentation is received.

To receive a RA number for warranty service or out-of-warranty repair, or need further information regarding warranty details and information, visit www.sightmark.com.

This warranty is non-transferable and is only valid if the product is registered within 30 days after the product has been purchased. To register your product, go to the brand's website. Warranty details and updates, including specific warranty coverage outside the United States, are located online, along with information regarding any shipping costs and/or handling fees. Registering online may also provide additional coverage and faster warranty service.

**Warranty varies by country. See website for details.*



CARACTÉRISTIQUES:

- Options 2.5x50 ou 3x60 (*chacune vendue séparément*)
- Choix du couleur de la marque de pointage (*vert ou rouge*)
- Une haute résolution et qualité d'image sur tout le champ de l'écran de l'appareil
- Distance d'observation minimale (*5m*)
- Le corps facile et solide de titane
- La marque de pointage avec le réticule de portée
- Eclairage infrarouge focalisé
- Classe d'hermétisation IPX4 (*étanche à l'eau*)
- Choix de fixations, permettant de monter le viseur pratiquement sur tout type de fusil de chasse
- Design ergonomique
- Bloc d'alimentation stabilisé: consommation d'énergie optimisée
- Position verticale d'une batterie est une sureté d'alimentation au moment du tir
- Pupitre de commande à distance avec raccord de haute sureté
- Couvercle de l'objectif non détachable
- Planche supplémentaire latérale Weaver
- Cas de transport protectif
- Bloc d'alimentation stabilisé: consommation d'énergie optimisée
- Possibilité de prise de vue photographique et cinématographique

SPÉCIFICATIONS TECHNIQUES - 2.5x50

Grossissement	(x)	2.5
Diamètre de la lentille	(mm)	50
Génération		1
Résolution	(lignes / mm)	35
Champs de vue	(degrés)	13
Champ max. de detection*	(m/ yds)	200 / 219
Distance d'observation minimale	(m / yds)	5 / 5
Ajustement dioptrique	(D)	± 3
Alimentation électrique; genre de pile voltage	(V)	(2) AA 3
Durée d'usage , sans IR	(heure)	70
Dégagement oculaire	(mm)	45
Température d'utilisation	(°C / °F)	-30 ~ +40 / -22~+104
Dimensions	(in / mm)	10.6x3.9x3.5 / 270x100x90
Poids	(oz / kg)	35.2 / 1.0

INCLUS:

- Cas de transport protectiv
- Le pupitre de télécommande
- Le raccord pour l'adaptateur photo de l'appareil photo digital (*n'est fourni que pour les viseurs avec la fixation Weaver*)
- Garantie Limitée



* À l'éclairage nocturne naturel 0.05 lux (*un quart de la lune*).

SPÉCIFICATIONS TECHNIQUES - 3x60

Grossissement	(x)	3
Diamètre de la lentille	(mm)	60
Génération		1
Résolution	(lignes / mm)	35
Champs de vue	(degrés)	11
Champ max. de detection*	(m/ yds)	200 / 219
Distance d'observation minimale	(m / yds)	5 / 5
Ajustement dioptrique	(D)	± 3
Alimentation électrique; genre de pile voltage	(V)	(2) AA 3
Durée d'usage , sans IR	(heure)	70
Dégagement oculaire	(mm)	45
Température d'utilisation	(°C / °F)	-30 ~ +40 / -22~+104
Dimensions	(in / mm)	12x3.9x3.5 / 307x100x90
Poids	(oz / kg)	35.2 / 1.0

INCLUS:

- Cas de transport protectiv
- Le pupitre de télécommande
- Le raccord pour l'adaptateur photo de l'appareil photo digital (*n'est fourni que pour les viseurs avec la fixation Weaver*)
- Garantie Limitée



* À l'éclairage nocturne naturel 0.05 lux (*un quart de la lune*).

DIAGRAMME - 2.5x50

1. Compartiment à batterie
2. Lentille l'objectif / converger
3. Interrupteur SUR / DU / IR
4. Contrôle de luminosité du réticule
5. Bouton de sélection du réticule
6. Bouton du converger l'objectif
7. L'oculaire de anneau
8. Enlumineur IR
9. Fixation
10. Prise pour le photographique et cinématographique
11. Dérivation / élévation boutons
12. Barre Weaver

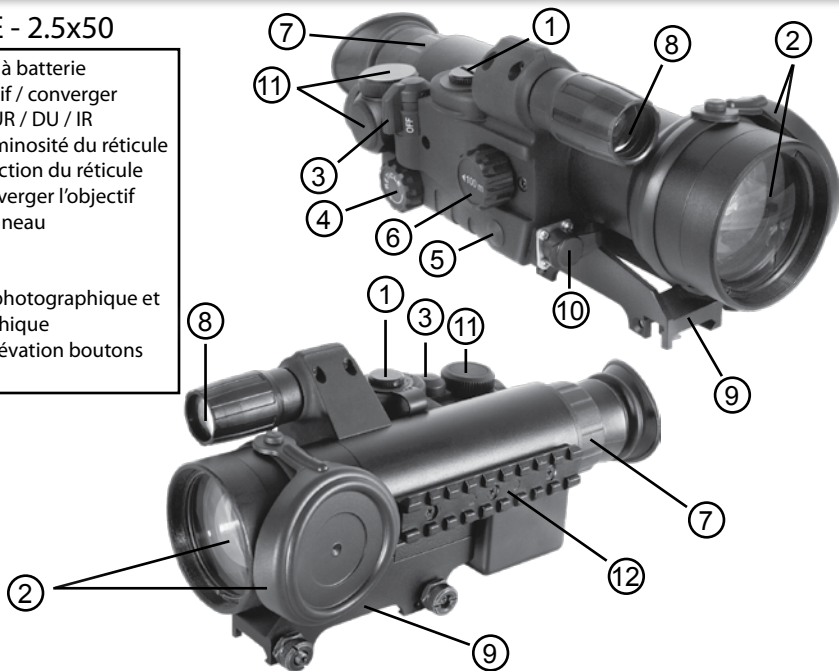
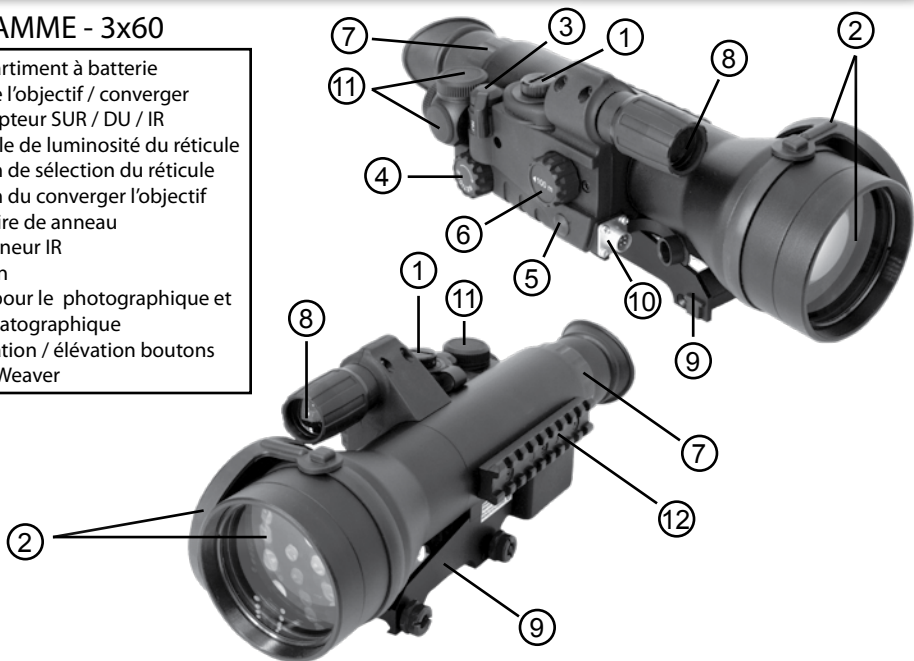


DIAGRAMME - 3x60

1. Compartiment à batterie
2. Lentille l'objectif / converger
3. Interrupteur SUR / DU / IR
4. Contrôle de luminosité du réticule
5. Bouton de sélection du réticule
6. Bouton du converger l'objectif
7. L'oculaire de anneau
8. Enlumineur IR
9. Fixation
10. Prise pour le photographique et cinématographique
11. Dérivation / élévation boutons
12. Barre Weaver



À PROPOS DU VISEURS NOCTURNES "NIGHT RAIDER" DU SIGHTMARK

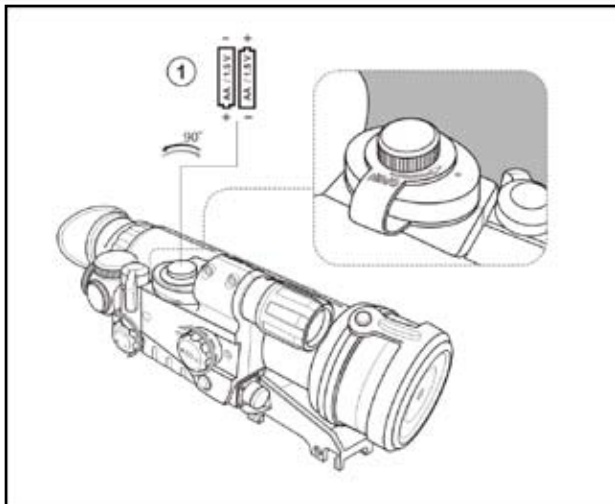
La ligne des viseurs nocturnes "Night Raider" est destinée à l'observation et au tir ajusté dans le crépuscule et l'obscurité complète.

L'appareil est fabriqué sur la base du convertisseur d'image électronique (CIE) de 1-ère génération et a l'objectif focalisé. C'est un appareil passif, dans la plupart des cas fonctionne avec assurance sans sources de lumière artificiels. Néanmoins l'éclairage infrarouge focalisé incorporé augmente l'efficacité de son exploitation. L'unité d'alimentation autonome avec la stabilisation de tension fonctionne pendant 70 heures avec deux batteries type AA. La position verticale des éléments d'alimentation assure l'augmentation de la fiabilité de leur fonctionnement au moment du tir.

Votre viseur "Night Raider" est un appareil universel de noctovision et parfait pour les différents domaines d'application professionnelle et d'amateur, y compris observation nocturne et la chasse à la nuit et prise de vue nocturne photographique et cinématographique.

INSTALLATION DES BATTERIES

- 1) Dévissez au sens contraire le couvercle du compartiment de batteries (1).
- 2) Utilisez le tournevis ou une petite monnaie métallique.



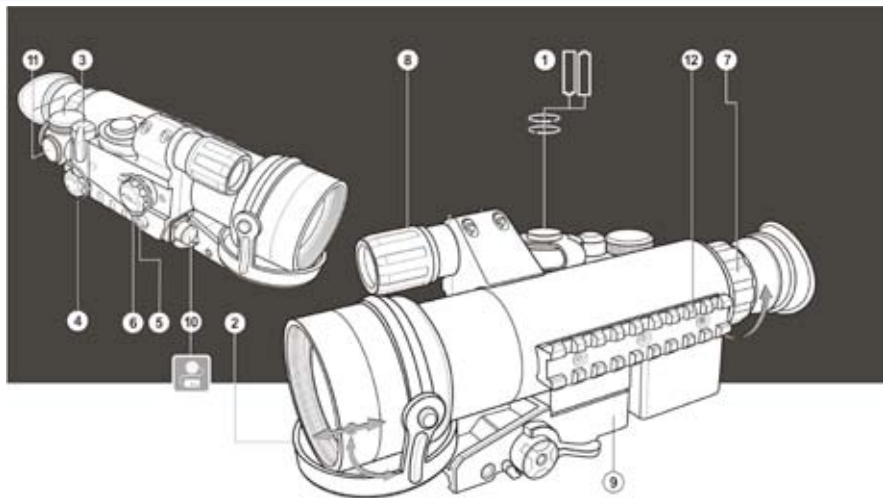
- 3) Insérez deux batteries type AA (il est admis d'utiliser deux batteries d'accumulateur équivalentes aux batteries type AA) de façon que (+) et (-) coïncident au marquage sur le corps.
- 4) Vissez le couvercle (1).

INSTRUCTION D'OPERATION

- 1) Insérez les batteries en conformité avec les indications du chapitre "INSTALLATION DES BATTERIES".
- 2) Entrez dans la zone obscure.
- 3) Enlevez le couvercle en le déposant sur le corps de l'objectif (2).
- 4) Mettez en marche l'appareil en tournant la poignée (3) en position "ON" l'indicateur de couleur vert s'allume.

- 5) A la décharge des batteries l'indicateur change le couleur et devient rouge. Cela signifie que le viseur fonctionne normalement avec l'éclairage infrarouge actionné jusqu'à décharge complète des batteries pendant 30 minutes à peu près.
- 6) Vous pouvez régler l'appareil dans la zone d'éclairage. Ce régime est prévu exclusivement pour vérifier le fonctionnement de l'appareil le couvercle (2) doit être mis étroitement sur l'objectif.
- 7) La luminosité de la marque de pointage rouge tournez le régulateur (4).
- 8) Pour le choix du couleur de la marque de pointage (*vert ou rouge*) appuyez le bouton (5).
- 9) Choisissez l'objet d'observation immobile éloigné à la distance près de 100 mètres.
- 10) Installez le régulateur de focalisation de l'objectif (6) en face de la marque "100" l'effort élevé de son fixation en signifie.
- 11) Observez l'objet choisi par le viseur. Tournez l'anneau de focalisation de l'objectif (7) jusqu'à la meilleure qualité de l'image.
- 12) En cas nécessaire mettez en marche l'éclairage infrarouge encastré (8). Pour cela tournez le régulateur (3) en position "IR" l'indicateur de couleur rouge s'allume.
- 13) Tournez le parasoleil de l'éclairage infrarouge (8) jusqu'à la focalisation infrarouge nécessaire de la tache lumineuse.
- 14) Après ce réglage, indépendamment de la distance et des autres conditions il ne faut plus tourner l'anneau de l'oculaire (7). Réglez la qualité de l'image seulement en tournant le régulateur de focalisation de l'objectif (6) et de la parasoleil de l'éclairage infrarouge (8).
- 15) A la fin de l'utilisation arrêtez le viseur. Pour faire cela tounez le reguleteur (3) en position "OFF".
- 16) Fermez l'objectif de l'appareil par le couvercle (2).
- 17) Le viseur de noctovision peut être monté avec un support spécial (9) sur l'arme. Après le premier montage de votre viseur sur l'arme, il est nécessaire accomplir les recommandations du chapitre "REGLAGE PAR LE TIR DU VISEUR".

Note: La mise en marche instantané du viseur et de l'éclairage infrarouge à la chasse peut être effectuée avec le pupitre de commande transportable branché dans la douille (10).



REGLAGE PAR LE TIR DU VISEUR

AVERTISSEMENT: Il est recommandé d'effectuer le réglage par le tir à la température d'exploitation du viseur dans l'ordre suivant.

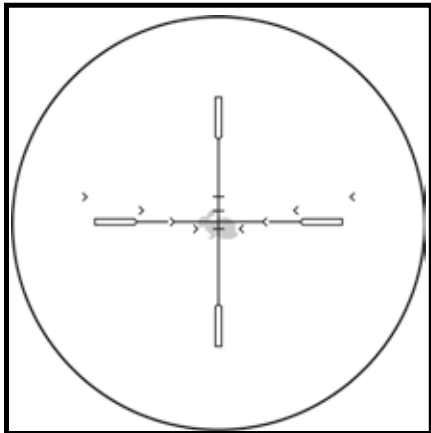
- 1) Monter l'arme avec le viseur sur le dispositif de pointage. S'assurer de l'absence dans le champ de vision du viseur de fortes sources de lumière. Installer la cible à la distance de réglage à 50 m. L'éclairage dans la zone de la cible ne doit pas dépasser 1 lux. Enlever le couvercle de l'objectif, le déposant sur le corps de l'objectif (2). Mettre en marche le viseur, tout en mettant le commutateur (3) en position ON.
- 2) Pointer l'arme sur le centre de la cible selon le viseur mécanique. Régler le viseur conformément à la recommandation du chapitre "INSTRUCTION D'OPERATION" en tournant la bague de focalisation de l'objectif (6) trouvez l'image fine de la cible. Régler la luminosité optimale de la marque de pointage par le régulateur (4). Si le centre de la cible ne coïncide pas avec le point de mire (*le centre du réticule de la marque rouge de pointage*), alors préalablement dévissant les coiffes des disques d'ajustage (11), tout en tournant les diques R et UP faites coïncider le centre de la cible avec le centre du réticule de la marque de pointage.
- 3) Faites par tir 3-4 coups de controle, en essayant de faire soigneusement et uniformément le pointage dans le point de mire. Déterminez la précision du tir et la position du point moyen d'impact (PMI); en cas de l'écart du PMI dépassant la valeur admissible, en tournant le disque d'ajustage (*réglage vertical UP, réglage horizontal R*) faites coïncider le PMI avec le point de mire. En le faisant il faut prendre en considération qu'un chiquenaude correspond au déplacement de la marque de 20 mm à la distance de 100 m. Vérifiez l'ajustage par la répétition du tir. De cette manière le viseur est réglé à la distance choisie.

L'EMPLOI DE LA MARQUE DE POINTAGE

La marque de pointage de votre viseur a le réticule de portée avec lequel on peut corriger le tir à différentes distances. Pour une bonne utilisation la marque il faut faire le pointage du viseur à la distance de 50 mètres à laquelle correspond le centre du réticule. Si l'image du but (*de l'objet d'observation*) avec une largeur réelle de 0,5 m dans le viseur peut être placée entre les marques ("*oiselets*") dans le centre du réticule, alors la distance jusqu'au but sera 50 mètres.

Les repères de l'échelle verticale de corrections correspondent aux distances de 100, 50, 25 et 15 mètres jusqu'au but à partir de la repère la plus basse. C'est-à-dire si le but avec une largeur réelle de 0,5 m se place entre les repères ("oiselets") de l'échelle de corrections la plus basse alors la distance jusqu'au but sera 100 mètres et il faut faire le pointage dans le centre de mire avec une correction selon une repère basse de correction.

***Jusqu'au but avec une largeur
réelle de 0,5 m - 100 m.***



Vous pouvez changer la couleur de la marque de pointage: la couleur rouge de la marque est utilisée dans des conditions d'une bonne, contraste visibilité du but; la couleur verte est utilisée dans des conditions où le but est visé insuffisamment contraste alors la marque de pointage même "cachera" moins l'image du but.

UTILISATION DE LA TELECOMMANDE

Le viseur Night Raider vision nocturne est livrée avec une télécommande. La console dispose de trois boutons:

- 1) Bouton «ON» (13) allume et éteint le viseur (*mise en fonction en appuyant*).
- 2) Bouton «IR / torche infrarouge » (14) allume et éteint la torche infrarouge intégrée (*mise en fonction en appuyant*).
- 3) Bouton «Quick start / démarrage rapide» (15) pour démarrer rapidement le viseur et la torche IR (*l'appareil est en fonction uniquement lorsque le bouton est maintenu appuyé*). Après que le bouton «Quick start / démarrage rapide» soit relâché, le viseur s'éteint, la torche IR et le réticule disparaissent, mais le vert résiduel provenant du tube reste apparent encore pendant quelques instants (*le tube lumineux concerne les appareils Gen. 1 et Super-CF uniquement*).

VISITE TECHNIQUE

Lors de la visite technique, recommandée chaque fois avant d'aller à la chasse, il faut faire obligatoirement ce qui suit:

- Contrôle extérieur de l'appareil (*les fissures, enfoncements profonds, traces de rouille ne sont pas admissibles*).
- Contrôle de la régularité et de la sûreté de fixation du viseur sur l'arme (*le jeu dans la fixation est inadmissible*).
- Contrôle de l'état des lentilles de l'objectif, de l'oculaire et de l'éclairage infrarouge (*les fissures, taches grasses, saleté, gouttes d'eau et d'autres dépôts sont inadmissibles*).
- Contrôle de l'état des piles d'alimentation et des contacts électriques du compartiment de batteries (*la batterie ne doit pas être déchargée: les traces d'électrolyte, de sels et d'oxydation sont inadmissibles*).
- Contrôle de la sûreté du fonctionnement du commutateur des régimes de travail (3), du régulateur de

- luminosité de la marque de mire (4).
- Contrôle du douceur de fonctionnement du régulateur de focalisation de l'objectif (6), de la bague d'oculaire (7).

STOCKAGE

Conservez toujours l'appareil dans son étui, dans un endroit sec et bien aéré. La conservation se fait à la température de +10°C au minimum et à l'humidité maximum de 70%. Pour la conservation de l'appareil d'une longue période la pile devra être retirée.

ENTRETIEN

L'entretien technique se fait au moins deux fois par an et consiste en ce qui suit:

- Nettoyer les surfaces extérieures des pièces métalliques et plastiques de la poussière, des boues et de l'humidité; les essuyer avec une serviette à coton, légèrement imbibé d'huile d'arme ou de vaseline.
- Nettoyer les contacts électriques du compartiment de batteries, en utilisant n'importe quel dissolvant organique non-gras.
- Examiner les lentilles d'oculaire, de l'objectif et de l'éclairage infrarouge; enlever soigneusement la poussière et le sable; en cas nécessaire nettoyer leurs surfaces extérieures.

ADVERTISSEMENT

L'énergie recommandée des cartouches pour les viseurs de la 1-ère génération ne doit pas dépasser 3700 Jules. Le viseur du Convertisseur d'image électronique de la 1-ère génération supporte le surcharge de choc correspondant au calibre pas plus de 7,62/.308. La garantie du fabricant sera annulée au cas de l'utilisation des cartouche à calibre dépassant 7,62/.308, cartouche de bricolage ou du tir avec le fusil de chasse à canon lisse.

- Ne mettez pas en marche l'appareil avec le couvercle ouvert dans la zone éclairé, ne pointez pas sur une forte source de lumière (*phare d'automobile, feu de bois et d'autres*) puisque cela peut endommager l'appareil ou di minuer irrémédiablement l'efficacité de son fonctionnement et la ressource.
- Ne dépechez pas d'enlever le couvercle de l'objectif dans le lieu de lumière.
- La tension du CIE se conserve pendant 20 minutes après l'arrêt du viseur (*CIE fonctionne*).
- Le viseur a un haut niveau de protection contre la pénétration d'humidité IPX5 et peut être exploité dans les conditions de précipitations atmosphériques abondantes d'un importe quelle intensité.
- Il est interdit de réparer, démonter et changer le support de fixation du viseur!
- Le nettoyage extérieur des pièces est effectué soigneusement et seulement en cas d'une vraie nécessité.
- D'abord il faut enlever de la poussière et des boues de la surface optique, puis faites le nettoyage. Utilisez une serviette à coton propre, de l'alcool ou des moyens spécifiques destinés aux lentilles avec le revêtement multi couches. Ne versez pas de l'eau tout droit sur la lentille!
- Le viseur peut être exploité dans une large étendue de températures de - 30°C à + 40°C. Néanmoins si l'appareil est apporté du froid dans le local chaud ne le mettez pas en marche depuis 3-4 heures.
- Si vous ne pouvez pas monter facilement et sûrement le viseur sur le fusil (*sans le jeu, tout droit le long du canon*) ou vous mettez en doute la sûreté de fixation adressez-vous obligatoirement à un atelier réparation des armes spécialisé. Le tir avec le viseur monté irrégulièrement sur le fusil peut causer la déformation et détérioration du support de fixation.
- Afin d'assurer le fonctionnement du viseur sans défaillance, ainsi que la constatation opportune et la réparation

des défauts causant l'usure prématurée et mise hors marche des unités et des pièces il faut effectuer à temps la visite technique et entretien du viseur.

La garantie du producteur sera annulée au cas de la détérioration de l'appareil à la suite de non-observation des recommandations mentionnées ci-dessus.

LES PANNES ÉVENTUELLES ET LE DÉPANNAGE

Le liste présente la liste des dérangements eventuels pouvant apparaitre au cours de l'utilisation du viseur.

Le viseur ne se met en marche:

- L'installation incorrecte des batteries. Installer les batteries suivant le marquage.
- La tension sommaire des batteries est moins de 2.0V. Remplacer les batteries.
- Les contacts dans le container des batteries sont oxydés les batteries "se coulent" ou le liquide chimiquement actif a été sur les contacts. Nettoyer le container des batteries, dénuder les contacts.

L'image de la marque rouge pas nette - on n'arrive pas de viser l'oculaire:

La poussière et l'humidité sur les surfaces optiques extérieures de l'objectif et de l'oculaire. Régler l'oculaire.

A une bonne image de la marque rouge une mauvaise image de l'objet éloigné pas moins de 30 m:

Apparition de l'humidité sur les surfaces intérieures de l'objectif et de l'oculaire, sur les surfaces optiques de l'appareil au moment du placement du viseur du froid au local chaud. Secher le viseur et le laisser dans le local chaud depuis 4 heures.

De petits points noirs nets au champ de vision à l'image nette de l'objectif:

Les points sur l'écran de l'appareil conditionnés par la technologie de sa fabrication et n'influent pas à la capacité et sureté du fonctionnement. La grandeur des points est déterminée pas les conditions techniques des convertisseurs d'image électronique et de l'appareil. Utiliser l'appareil.

Le viseur ou l'éclairage infrarouge ne sont mis hors marche avec le régulateur d'arrêt sur le viseur:

Le viseur est branché sur le pupitre de commande à distance (PCD). Arrêter l'appareil et l'éclairage infrarouge en appuyant les boutons du PCD.

La marque de pointage s'écarte au moment du tir:

Le montage du viseur sur le fusil n'est pas rigide. Vérifier la rigidité du montage du viseur. Assurez-vous que vous utilisez un tel type de cartouches que vous avez utilisé au réglage par tir de vos fusil et viseur. Si vous avez réglé le viseur en été mais l'utilisez en hiver (*ou au contraire*) alors il n'est pas exclu un certain changement du point zéro de mire.

Le viseur ne fonctionne pas:

Réglage incorrecte. Régler l'appareil suivant le chapitre „INSTRUCTION D'OPERATION“. Vérifier les surfaces extérieures des lentilles de l'objectif et de l'oculaire; en cas nécessaire les nettoyer de la poussière, du condensat, du givre etc. Au temps froid utiliser les moyens de protection spéciaux (*par exemple, les lunettes de correction*).

GARANTIE LIMITÉE DE SIGHTMARK

Votre produit est garanti comme étant exempt de défauts au niveau des matériaux et de la main d'œuvre. Dans l'éventualité où un défaut survient sous cette garantie, nous remplacerons ou réparerons le produit, à notre choix. Pour les produits de vision nocturne, le tube d'intensification de l'image qui permet la fonctionnalité de vision nocturne est garanti pour une période de 3 ans, tout comme le sont les autres composants électroniques et dispositifs d'émission de lumière, tel que les lasers, points rouges et dispositifs d'imagerie holographique. Toutefois, les ampoules, batteries et autres composants consommables ne sont pas couverts par cette garantie. Cette garantie ne couvre pas les dommages entraînés par une mauvaise utilisation ou une manipulation inappropriée. De plus, cette garantie est nulle et sans effet si de l'entretien ou des modifications sont effectués par toute autre personne que le fabricant.

Si vous envoyez le produit pour une réparation sous garantie, vous devrez remplir le formulaire de demande RA, qui se trouve sur le site web de l'entreprise. Une fois le formulaire reçu et traité, vous obtiendrez un courriel de confirmation contenant votre numéro RA ainsi qu'un formulaire de retour PDF. Le formulaire de retour doit être rempli en entier, et être envoyé par la poste avec votre produit. Afin que votre réparation soit correctement exécutée, il est important de suivre toutes les instructions établies dans le formulaire de retour. Si une ou plusieurs des instructions ne sont pas suivies, votre demande ne pourra pas être traitée, et le produit sera conservé jusqu'à ce que vous soyez contacté, et que la documentation nécessaire soit reçue.

Afin d'obtenir un numéro RA pour service de garantie ou réparation hors-garantie, ou si vous désirez obtenir plus d'informations relatives à la garantie et aux détails de celle-ci, visitez le www.sightmark.com.

Cette garantie est non-transférable et est uniquement valide si le produit est enregistré dans les 30 jours suivant son achat. Afin d'enregistrer votre produit, veuillez accéder au site web de l'entreprise. Les détails ainsi que les délais relatifs à la garantie, incluant la garantie offerte hors de États-Unis se retrouvent en ligne, en plus de l'information relative aux frais de livraison et/ou de maintenance. L'enregistrement en ligne peut aussi offrir des couvertures supplémentaires ainsi qu'un service de garantie plus rapide.

**La garantie varie selon les pays. Veuillez consulter le site web pour les détails.*

ESPAÑOL



CARACTERÍSTICAS:

- Opciones de 2.5x50 o 3x60
(cada una se vende por separado)
- La elección del color de la marca de puntería
(rojo o verde)
- Una alta resolución y calidad de la imagen en todo el campo de la pantalla del COE
- Distancia mínima de observación (5m)
- Cuerpo de titanio ligero y sólido
- Una foco infrarrojo de enfoque, fácil de extraer
- Una elección de los encofrados que permiten instalar el visor practicamente en cualquier tipo de arma de caza
- Clase de hermeticidad IPX4 (impermeable)
- Ajustes internos de alta precisión en elevación y deriva
- Un diseño ergonómico
- Marca de puntería con una escala telemétrica
- Una ubicación vertical de la batería - confiabilidad del suministro de energía durante el tiro
- Un bloque de alimentación estabilizado
- Una tapa del objetivo que no se pierde
- Un chapa lateral adicional Weaver
- Funda de protector
- Un mando de control remoto con un enchufe de alta confiabilidad
- La posibilidad de la toma de fotos y de filmación de video

ESPECIFICACIONES TÉCNICAS - 2.5x50

Magnificación	(x)	2.5
Diámetro de la lente	(mm)	50
Generación		1
Resolución	(líneas / mm)	35
Ángulo de visión	(grado)	13
Distancia máxima del tiro de puntería*	(m / yds)	200 / 219
Distancia mínima de observación	(m / yds)	5 / 5
Ajuste dióptrico	(D)	± 3
Fuente de energía; tipo batería		(2) AA
voltaje	(V)	3
Vida de batería, sin IR	(horas)	70
Alivio pupilar	(mm)	45
Temperaturas de utilización (°C / °F)		-30 ~ +40 / -22~+104
Dimensiones	(in / mm)	10.6x3.9x3.5 / 270x100x90
Peso	(oz / kg)	35.2 / 1.0

INCLUYE:

- Funda de protector
- Mando de control remoto
- Empalme para el fotoadaptador para la cámara fotográfica digital *(se suministra solamente para los visores con encofrado Weaver)*
- Garantía Limitada



* Iluminación nocturna natural de 0,05 lux, cuarto de Luna.

ESPECIFICACIONES TÉCNICAS - 3x60

Magnificación	(x)	3
Diámetro de la lente	(mm)	60
Generación		1
Resolución	(líneas / mm)	35
Ángulo de visión	(grado)	11
Distancia máxima del tiro de puntería*	(m / yds)	200 / 219
Distancia mínima de observación	(m / yds)	5 / 5
Ajuste dióptrico	(D)	± 3
Fuente de energía; tipo batería		(2) AA
voltaje	(V)	3
Vida de batería, sin IR	(horas)	70
Alivio pupilar	(mm)	45
Temperaturas de utilización (°C / °F)		-30 ~ +40 / -22~+104
Dimensiones	(in / mm)	12x3.9x3.5 / 307x100x90
Peso	(oz / kg)	35.2 / 1.0

INCLUYE:

- Funda de protector
- Mando de control remoto
- Empalme para el fotoadaptador para la cámara fotográfica digital (*se suministra solamente para los visores con encofrado Weaver*)
- Garantía Limitada



* Iluminación nocturna natural de 0,05 lux, cuarto de Luna.

DIAGRAMA - 2.5x50

1. Compartimiento de batería
2. Lente objetivo / cubierta
3. Botón EN / LEJOS / IR
4. Control luminosa de retículo
5. Selector de retículo
6. Perilla de enfoque del objetivo
7. Anillo de ocular
8. Iluminador IR
9. Montura
10. Conector de fotos y de filmación de video
11. Tornillos ajuste deriva / dirección
12. Baranda de Weaver

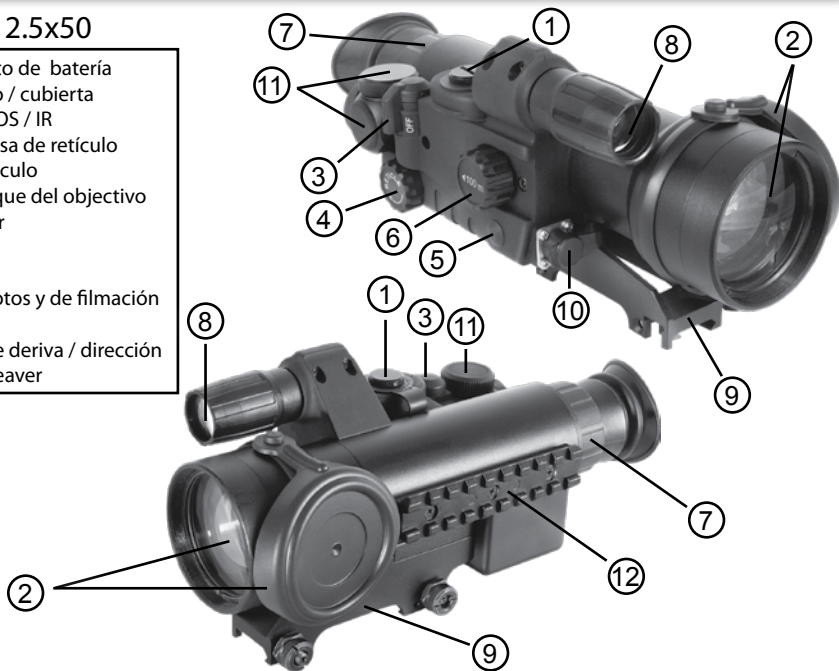
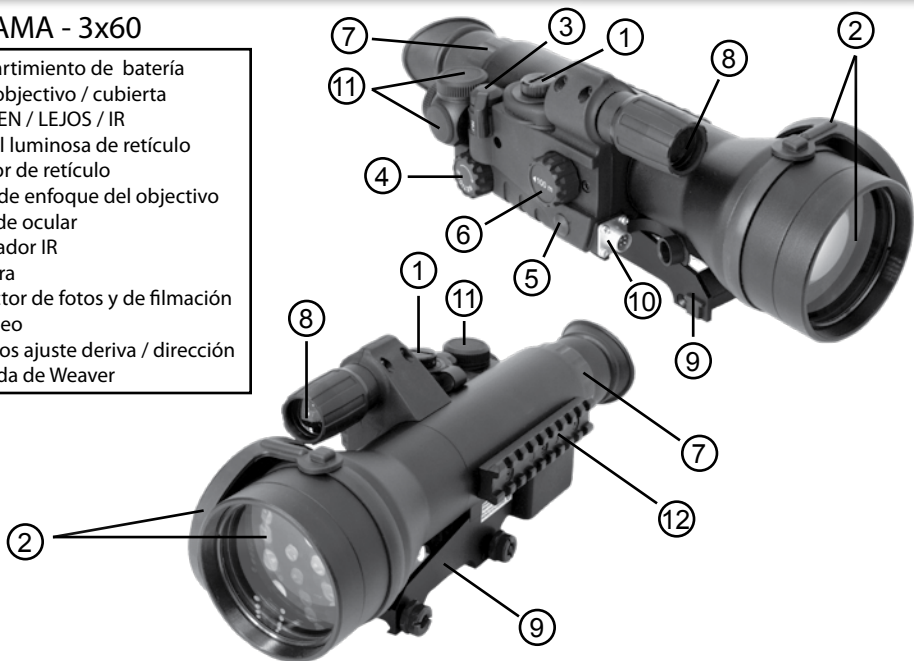


DIAGRAMA - 3x60

1. Compartimiento de batería
2. Lente objetivo / cubierta
3. Botón EN / LEJOS / IR
4. Control luminosa de retículo
5. Selector de retículo
6. Perilla de enfoque del objetivo
7. Anillo de ocular
8. Iluminador IR
9. Montura
10. Conector de fotos y de filmación de video
11. Tornillos ajuste deriva / dirección
12. Baranda de Weaver



EN CUANTO AL VISOR DE VISION NOCTURNA SIGHTMARK 'NIGHT RAIDER'

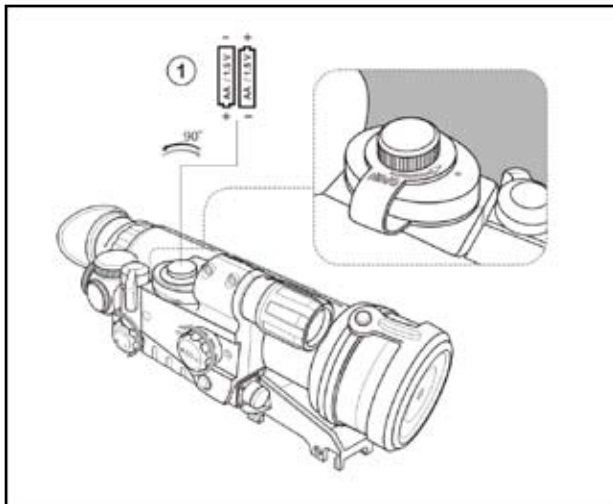
El visor de visión nocturna "Night Raider" está destinada para la observación y ejecución del fuego en las horas del crepúsculo y de la noche.

El artículo está fabricado sobre la base de los COE de la primera generación y posee un objetivo enfocable. Este es un instrumento pasivo, que en la mayoría de las veces funciona en forma segura sin fuentes de iluminación. Sin embargo, la iluminación infrarroja enfocable encajada aumenta la efectividad de su aplicación en forma considerable. El bloque de alimentación con una estabilización de la tensión funciona hasta 70 horas con las dos pilas del tipo AA; está excluido el cambio del punto cero del reglaje de tiro con un descargue paulatino de las pilas. La disposición vertical de los elementos de alimentación ayudan a aumentar la seguridad de su funcionamiento durante el tiro.

Su visor Night Raider es un instrumento universal de visión nocturna que es conveniente para diferentes esferas para la aplicación profesional y de aficionado, incluyendo la observación nocturna y la caza nocturna, y la toma de fotos y la filmación nocturna.

INSTALACIÓN DE BATERÍAS

- 1) Destornille de derecha a izquierda la tapa del compartimiento de las pilas (1). Utilice un destornillador o una moneda pequeña.

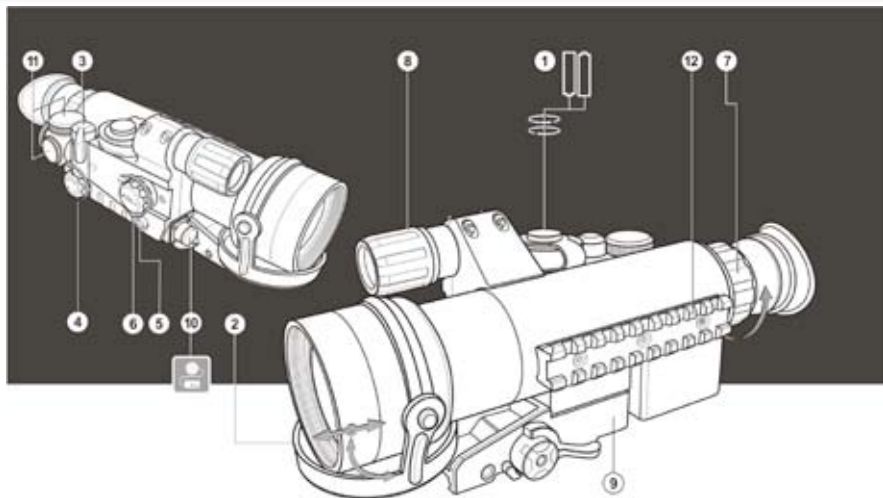


- 2) Coloque dos pilas del tipo AA (se permite también el uso de dos baterías de acumuladores equivalentes a la batería del tipo AA) de tal manera que el (+) y el (-) correspondan a la marcación que hay en la caja.
- 3) Atornille la tapa (1).

UTILIZACIÓN DEL VISOR

- 1) Instale las baterías en correspondencia con las indicaciones de la parte "INSTALACIÓN DE LAS BATERÍAS". Entre en una zona oscura.
- 2) Quite la tapa del objetivo, desplazándola sobre el casco del objetivo (2).
- 3) Encienda el instrumento, girando la manilla (3) a la posición "ON" - comienza a iluminarse la pantalla verde.

- 4) Ud. también puede revisar el visor en una zona iluminada. Este modo de funcionamiento está previsto exclusivamente para la revisión de la capacidad de trabajo del instrumento; la tapa (2) debe estar ajustadamente colocada en el objetivo.
- 5) Para la regulación del brillo de la marca roja de puntería haga girar la manilla (4).
- 6) Para elegir el color de la marca de puntería (roja o verde) presione el botón (5).
- 7) Elija un objeto inmóvil de observación, que esté alejado a la distancia de 100 m.
- 8) Coloque la manilla de enfoque del objetivo (6) enfrente de la marca "100", - un esfuerzo más elevado de fijación va a evidenciar esto. Observe el objeto elegido a través del visor; haga girar el anillo de enfoque del ocular (7) hasta obtener la calidad máxima imagen.
- 9) Observe el objeto elegido a través del visor; haga girar el anillo de enfoque del ocular (7) hasta obtener la calidad máxima imagen.
- 10) En caso de necesidad encienda la iluminación infrarroja encajada. Para ello hay que girar la manilla (3) a la posición "IR" - se enciende el indicador de color rojo.
- 11) Haga girar el diafragma de la iluminación infrarroja (8) hasta la obtención del enfoque necesario de la mancha infrarroja clara.
- 12) Después del presente ajuste, independientemente de la distancia y de otras condiciones, no es necesario hacer girar el anillo del ocular (7). Ajuste la calidad de la imagen solamente girando la manilla del enfoque del objetivo (6) y del diafragma de la iluminación infrarroja (8).
- 13) Al término de su uso, apague el visor. Para ello, haga girar la manilla (3) hasta la posición "OFF". Cierre el objetivo del instrumento con la tapa (2).
- 14) Ud. puede colocar el visor sobre el arma con ayuda del soporte especial (9). Después de la primera colocación de su visor sobre el arma, es necesario cumplir las recomendaciones del capítulo "Tiro de ajustamiento para el arma".
- 15) El encendido momentáneo del visor y del foco infrarrojo durante la caza puede realizarse con ayuda del mando extraíble que se une al clavijero (10).



EL REGLAJE DE TIRO DEL VISOR

El reglaje de tiro del visor se recomienda llevarlo a cabo con una temperatura de explotación del visor en el siguiente orden.

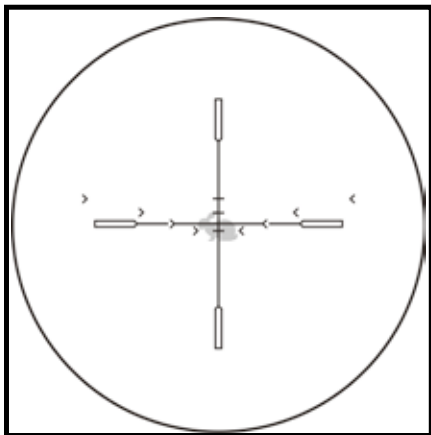
- 1) Coloque el arma con el visor en la cureña de puntería. Asegúrese de la ausencia de fuentes brillantes de luz en el campo de vista del visor. Coloque el blanco a una distancia de tiro 50 m. La iluminación en la zona del blanco durante el reglaje debe ser de no más de 1 lux. Quite la tapa del objetivo, desplazándola sobre el casco del objetivo (2). Encienda el visor, instalando el conmutador (3) a la posición "ON".
- 2) Dirija el arma al centro del blanco de acuerdo con el visor mecánico. Ajuste el visor de acuerdo con las recomendaciones del capítulo "UTILIZACION DEL VISOR". Girando la manilla del anillo del enfoque del objetivo (6), obtenga una visión nítida de la imagen del blanco. Instale el brillo óptimo de la marca de puntería con ayuda del regulador (4). Si el centro del blanco no coincidiera con el punto de puntería (el centro del cruce de la marca roja de puntería), entonces, habiendo desatornillado los casquetes en los discos de comprobación (11), por medio del giro de los discos R y UP obtenga una coincidencia del centro del blanco con el centro del cruce de la marca de puntería.
- 3) Lleve a cabo 3-4 tiros de control, cuidadosa y uniformemente apuntando al punto de puntería. Determine la precisión del tiro y la posición del punto medio de impacto (PMI); al haber una desviación del PMI hacia alguno de los lados en más de una magnitud permisible, por medio del giro del disco de comprobación (*por la vertical - UP, por el horizonte - R*), obtenga una coincidencia del PMI con el punto de puntería. Al mismo tiempo hay que tener en cuenta que un capirotazo durante el giro del disco corresponde al desplazamiento de la marca en 20 mm a una distancia de 100 m. Revise la corrección de la comprobación del tiro repetido. El visor ha sido reglado a la distancia elegida.

USO DE LA MARCA DE PUNTERÍA

La marca de puntería de su visor posee una escala telemétrica, con ayuda de la cual se puede corregir el tiro a las diferentes distancias. Para que haya un funcionamiento correcto es necesario reglar el tiro a la distancia de 50 metros lo que corresponde al cruce central.

Si la imagen del blanco (objeto) con una anchura real de 0,5 m en el alza se puede colocar entre las marcas ("señal") en el cruce central, entonces la distancia hasta el blanco es de 50 m. Las rayas de la escala vertical de las correcciones corresponden a la distancia hasta el blanco de 100, 50, 25 y 15 metros, comenzando desde la más inferior.

***Hasta el blanco con una anchura
real de 0.5 m - 100 m.***



Es decir, si el blanco con una anchura real de 0,5 m se coloca entre las marcas ("señales") de la escala de corrección más baja, entonces hasta el blanco hay 100 m y al centro del blanco hay que apuntar con una corrección - a través de la marca inferior de corrección. Ud. puede cambiar el color de la marca de puntería: utilice el color rojo de la marca en las condiciones de una visibilidad buena y de contraste del blanco; utilice el color verde de la marca en las condiciones cuando el blanco se ve con un contraste insuficiente - entonces la marca de puntería misma va a "llenar" menos la imagen del blanco.

PANEL DE CONTROL REMOTO *(a distancia)*

El Night Raider viene con un panel extraíble del control remoto. En el panel hay tres botones:

- 1) Botón "ON" - conexión / desconexión del visor *(fijado cuando está presionado)*.
- 2) Botón "IR" - conexión / desconexión de la linterna infrarroja *(fijado cuando está presionado)*.
- 3) Botón "Quick start" - conexión del visor y del iluminador IR rápido *(el visor funciona solamente cuando el botón está presionado)*. Después de que este botón es liberado, el visor apaga, el iluminador de IR y el retículo se apagan, salen, pero la luminiscencia verde residual del tubo permanece durante unos minutos.

REVISIÓN TÉCNICA

Durante la inspección técnica, que se recomienda antes de cada salida de caza, obligatoriamente revise:

- El estado externo del instrumento *(no se permiten grietas, abolladuras profundas y huellas de corrosión)*.
- La justeza y la confiabilidad de la fijación del visor al arma *(en forma categórica no se permiten los juegos)*.
- El estado de los lentes del objetivo, del ocular y del foco infrarrojo *(no se permiten grietas, manchas grasosas, suciedad, gotas de agua y otros sedimentos)*.
- El estado de los elementos de alimentación y de los contactos eléctricos del compartimiento de las pilas - las pilas no deben estar descargadas; no se permite la presencia de huellas del electrolito, de sales y de oxidación.
- La confiabilidad de los selectores de modos de funcionamiento (3), del regulador del brillo de la marca de puntería (4).
- La suavidad del desplazamiento de la manilla de enfoque del objetivo (6) y del anillo del ocular (7).

ALMANECIMIENTO

Hay que siempre conservar el instrumento solamente en el estuche, en un local seco, con ventilación. El almacenamiento debe realizarse a una temperatura de no menos de +10°C y a una humedad de no más de 70%. Durante una conservación prolongada, extraiga la batería de alimentación.

MANTENIMIENTO

El mantenimiento técnico se lleva a cabo no menos de dos veces al año y consiste en la realización de los puntos expuestos a continuación:

- Limpie el polvo, la suciedad y la humedad desde las superficies metálicas externas y las piezas de plástico; frótelas con una servilleta de algodón ligeramente empapada con aceite para armas o con vaselina.
- Limpie los contactos eléctricos del compartimiento de las pilas, utilizando cualquier disolvente orgánico no grasoso.
- Revise los lentes del ocular, del objetivo y de la iluminación infrarroja; saque con cuidado el polvo y la arena; si fuera necesario limpie sus superficies externas.

ADVERTENCIA

La energía recomendada para los visores de la 1 generación no debe exceder de 3700 joule. El visor del COE de la 1 generación resiste una sobrecarga de golpe que corresponde al calibre no mayor de 7,62/.308. La garantía del fabricante se anula si se han utilizado cartuchos de un calibre mayor de 7,62/.308, cargas de fabricación casera o se

ha llevado a cabo el tiro con un arma de caza de cañón liso.

- No encienda el instrumento estando abierta la tapa del objetivo en una zona iluminada, no lo dirija a una fuente de luz brillante (los faros de un automóvil, una hoguera, etc.), ya que esto puede estropear el visor irreparablemente disminuir el rendimiento de su funcionamiento y de su recurso.
- No se dé prisa en abrir la tapa del objetivo en un lugar iluminado - ¡la tensión del COE se conserva en el curso de 20 minutos después de apagar el visor (*el COE funciona!*)!
- El visor posee un alto grado de impermeabilidad IPX4 y puede llevarse a cabo su explotación con precipitaciones atmosféricas de cualquier intensidad.
- ¡Se prohíbe reparar, desarmar, desmontar y cambiar el soporte del encofrado del visor!
- Lleve a cabo la limpieza externa de las piezas ópticas muy cuidadosamente y solamente en caso de una necesidad evidente. Para comenzar, saque con mucho cuidado el polvo y la arena desde la superficie óptica, después realice la limpieza. Utilice una servilleta limpia de algodón, alcohol o medios especiales para los lentes con cubiertas poliestratificadas. ¡No vierta el líquido directamente al lente!
- El visor puede explotarse dentro de un amplio diapazón de temperaturas - desde menos 30°C hasta más 40°C.
- Sin embargo, si el visor se introduce desde el frío a un local cálido, no lo encienda en el curso de 3-4 horas.
- Si Ud. no logró colocar el visor en el arma en forma fácil y segura (*sin juego, estrictamente a lo largo de la línea del cañón*); o Ud. duda de la fijación correcta - sin falta diríjase a un taller de armas especializado. ¡El disparar con un visor incorrectamente colocado puede llevar a la deformación y a la destrucción del soporte del encofrado!
- Para asegurar un funcionamiento impecable, para la prevención y eliminación de las causas, que provocan un desgaste o un estropeo prematuros de los bloques y piezas, es necesario a su debido tiempo realizar la inspección técnica y el mantenimiento del visor.

Las averías del instrumento que sean resultado de la inobservancia de las recomendaciones arriba expuestas liquidan la garantía de la empresa - fabricante.

SOLUCIONADOR DE PROBLEMAS

En la lista está expuesta una lista de los posibles problemas que pueden surgir durante el proceso de explotación del instrumento. Lleva a cabo la revisión y la corrección recomendadas de acuerdo al orden indicado en la tabla. Si en la lista indicada no estuviera contemplado un problema o la acción indicada de eliminación del defecto no da resultado, comuníquelo al fabricante.

El visor no se enciende:

- Las pilas de alimentación están colocadas incorrectamente. Coloque las pilas de acuerdo con la marcación.
- La tensión total de las pilas es menor que 2.0V. Reemplace las pilas.
- Están oxidados los contactos en el contenedor de las pilas - "se derramaron" las pilas o a los contactos cayó un líquido químicamente activo. Limpie el contenedor de las pilas, limpie los contactos.

Hay una imagen imprecisa de la marca roja - no resulta enfocar el ocular:

El ocular está ajustado incorrectamente. Ajuste el ocular.

Cuando hay una imagen precisa de la marca roja, se tiene una imagen imprecisa del objetivo que se encuentra a una distancia de no menos de 30 m:

- Hay polvo y humedad en las superficies ópticas externas del objetivo y del ocular. Frote las superficies ópticas con una servilleta suave de algodón.
- Hay humedad en las superficies ópticas internas del objetivo y del ocular, en las superficies ópticas del COE - que ha sido posible durante el traslado del visor desde el frío a un local cálido. Seque el visor - déjelo estar 4 horas en un local cálido.

Hay diferentes pequeños puntos negros precisos en el campo visual con una imagen precisa del objeto:

Los puntos en la pantalla del COE están condicionados por la tecnología de su fabricación, no influyen en su capacidad de funcionamiento y en su seguridad. Los tamaños de los puntos están determinados en las condiciones técnicas del COE y del instrumento. Utilice el instrumento.

El visor o la iluminación infrarroja no se apagan con la manilla del interruptor que hay en el visor:

El visor está conectado desde el mando de control remoto (MCR). Encienda el instrumento y la iluminación infrarroja, presionando los botones del MCR.

Se desvía la marca durante el tiro:

No hay rigidez en la colocación del visor sobre el arma. Revise la rigidez de la colocación del visor. Asegúrese que Ud. está utilizando precisamente aquel tipo de municiones con los que antes hizo el reglaje de tiro de su arma y del visor. Si Ud. regló el visor en verano, y lo explota en invierno (*o al revés*), entonces no se excluye un cierto cambio del punto cero del reglaje.

El visor no se enfoca:

Está incorrectamente ajustado. Ajuste el instrumento en conformidad con el capítulo "UTILIZACION DEL VISOR". Revise las superficies externas de los lentes del objetivo y del ocular; en caso de necesidad límpielas del polvo, del condensado, de la escarcha, etc. Durante el tiempo frío Ud. puede utilizar recubrimientos especiales contra el empañamiento (*por ejemplo, tal como para lentes correctivos*).

GARANTÍA LIMITADA SIGHTMARK

Su producto esta garantizado de estar libre de defectos en materiales y construcción. En el evento de un defecto bajo esta garantía, nosotros, a nuestra discreción, repararemos o reemplazaremos el producto. Para productos de visión nocturna, el tubo intensificador de imagen esta garantizado de estar libre de defectos por un periodo de 3 años al igual que componentes electrónicos y aparatos emisores de luz como es el caso de lasers, puntos rojos y miras holográficas. Bombillos, baterías y otros componentes consumibles no están cubiertos bajo esta garantía. Esta garantía no cubre daños causados por uso inapropiado y será anulada si mantenimiento o manipulación es realizado por una parte ajena al fabricante.

Si desea enviar un producto para efectos de garantía, deberá diligenciar una forma RA la cual será encontrada en la página de internet de cada marca. Una vez la forma ha sido procesada, usted recibirá una notificación por email con información referente a su devolución. Estas formas deberán ser diligenciadas completamente y devueltas con el producto. En orden de garantizar un proceso rápido, siga las instrucciones en la solicitud de devolución. Si dichas instrucciones y solicitudes no están propiamente diligenciadas, el arreglo de su producto puede tardar mas de lo necesario hasta que la información adecuada sea apropiadamente recibida.

Para recibir un numero RA para servicio de garantía o fuera de garantía o si requiere mas información por favor revisar la pagina web www.sightmark.com.

Esta garantía no es transferible y valida únicamente si el producto es registrado durante los 30 días siguientes de la fecha de compra. Para registrar su producto, visite la página web de la marca. Detalles de la garantía al igual que cobertura fuera de los Estados Unidos está localizada en la página web. Completar la registración de su producto en internet facilitara su proceso de garantía.

**La garantía varía de país a país. Visite nuestra página web para más detalles.*

DEUTSCH



BEINHALTET:

- 2.5x50 und 3x60 Vergrößerung
(wir jeweils separat verkauft)
- Das Auswählen der Farbe der Visieranzeige
(grün oder rot)
- Das hohe Auflösungsvermögen und die hohe Qualität des Bildes im ganzen Feld des Bildschirmes der elektro-optischen Verstärkerröhre (EOV)
- Die minimale Beobachtungsdistanz 5 Meter
- Leichtes und zuverlässiges Titangehäuse
- Die fokussierte IR-Beleuchtung
- Visiermarke mit einem Entfernungsnetz
- Dichtheitsklasse IPX4 *(wasserfest)*
- Ergonomisches Design
- Die Wahl der Befestigungen, die ermöglichen das Visier praktisch an beliebige Art der Jagdwaffe zu montieren
- Die senkrechte Anordnung der Batterie ist Zuverlässigkeit der Energieversorgung beim Schießen
- Die stabilisierte Energieversorgungseinheit
- Der nicht verlierbare Deckel des Objektivs
- Die zusätzliche Seitenleiste Weaver
- Aufbewahrungstasche
- Das Fernbedienungspult mit dem Stecker der erhöhten Zuverlässigkeit
- Die Möglichkeit der Lichtbild - und Videoaufnahme

TECHNISCHE DATEN - 2.5x50

Vergrößerung	(x)	2.5
Objektiv	(mm)	50
Generation		1
Auflösungsvermögen (Linien / mm)		35
Winkel des Sehfeldes (Winkelgrad)		13
Maximale Distanz des Zielschießens*	(m / yds)	200 / 219
Minimale Beobachtungsdistanz	(m / yds)	5 / 5
Dioptrienausgleich	(D)	± 3
Energieversorgung, Batterietyp		(2) AA
Spannung (V)		3
Betriebszeit, ohne IR	(Stunden)	70
Austrittspupillenabstand	(mm)	45
Betriebstemperaturbereich (°C / °F)		-30 ~ +40 / -22~+104
Maße	(in / mm)	10.6x3.9x3.5 / 270x100x90
Gewicht	(oz / kg)	35.2 / 1.0

BEINHALTET:

- Aufbewahrungstasche
- Fernsteuerpult
- Adapter für den Fotoadapter zum Ziffernfotoapparat
(wird nur für Visiere mit der Befestigung Weaver geliefert)
- Eingeschränkte Lebenslange Garantie



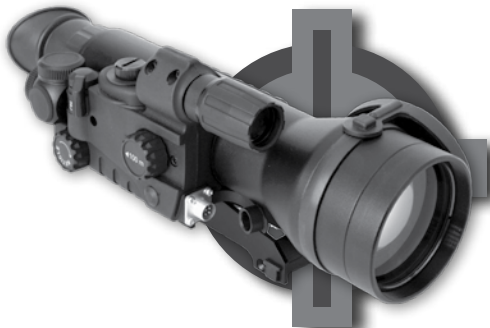
* Bei der natürlichen Nachtsbeleuchtungsstärke 0,05 lx.
(das Viertel des Mondes)

TECHNISCHE DATEN - 3x60

Vergrößerung	(x)	3
Objektiv	(mm)	60
Generation		1
Auflösungsvermögen (Linien / mm)		35
Winkel des Sehfeldes (Winkelgrad)		11
Maximale Distanz des Zielschießens*	(m / yds)	200 / 219
Minimale Beobachtungsdistanz	(m / yds)	5 / 5
Dioptrienausgleich	(D)	± 3
Energieversorgung, Batterietyp		(2) AA
Spannung (V)		3
Betriebszeit, ohne IR	(Stunden)	70
Austrittspupillenabstand	(mm)	45
Betriebstemperaturbereich (°C / °F)		-30 ~ +40 / -22 ~ +104
Maße	(in / mm)	12x3.9x3.5 / 307x100x90
Gewicht	(oz / kg)	35.2 / 1.0

BEINHALTET:

- Aufbewahrungstasche
- Fernsteuerpult
- Adapter für den Fotoadapter zum Ziffernfotoapparat
(wird nur für Visiere mit der Befestigung Weaver geliefert)
- Eingeschränkte Lebenslange Garantie



* Bei der natürlichen Nachtsbeleuchtungsstärke 0,05 lx.
(das Viertel des Mondes)

DIAGRAMM - 2.5x50

1. Batteriefach
2. Objektive Linse / Abdeckung
3. AUF / AB / IR Knopf
4. Absehen Helligkeitseinstellung
5. Absehen Auswahldrehrad
6. Objektive Fokus Knopf
7. Okular Ring
8. IR-Strahler
9. Montage
10. Externer der Lichtbild - und Videoaufnahme
11. Seiteneinstellung / Höheneinstellung Knopfs
12. Weaver Schiene

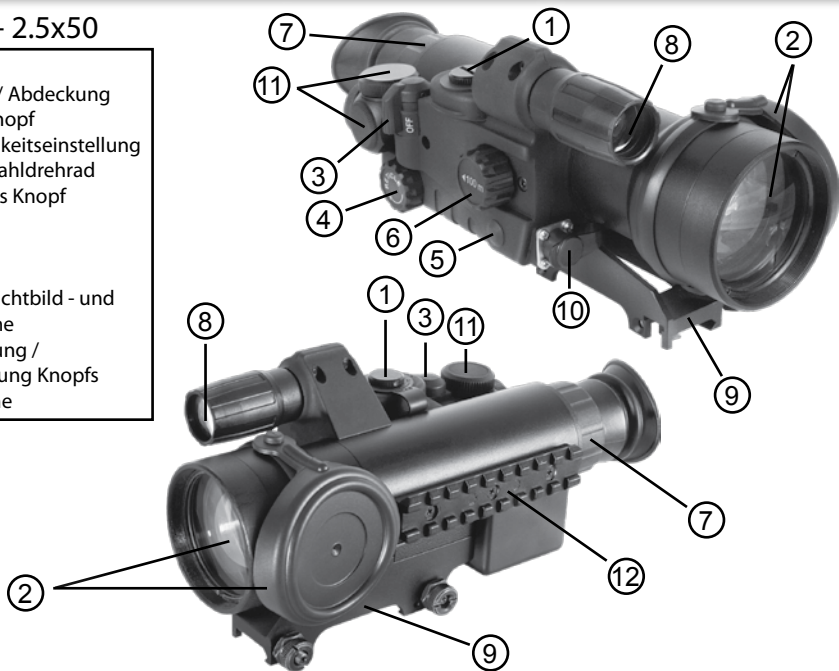
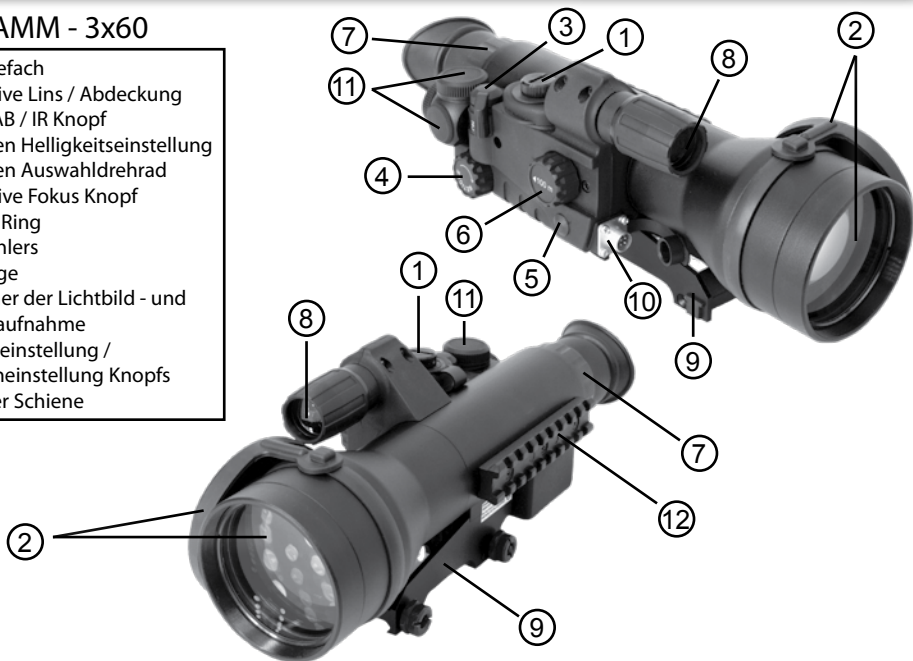


DIAGRAMM - 3x60

1. Batteriefach
2. Objektive Linse / Abdeckung
3. AUF / AB / IR Knopf
4. Absehen Helligkeitseinstellung
5. Absehen Auswahldrehrad
6. Objektive Fokus Knopf
7. Okular Ring
8. IR-Strahler
9. Montage
10. Externer der Lichtbild - und Videoaufnahme
11. Seiteneinstellung / Höheneinstellung Knopfs
12. Weaver Schiene



ÜBER SIGHTMARK "NIGHT RAIDER" NACHTSICHTVISIER

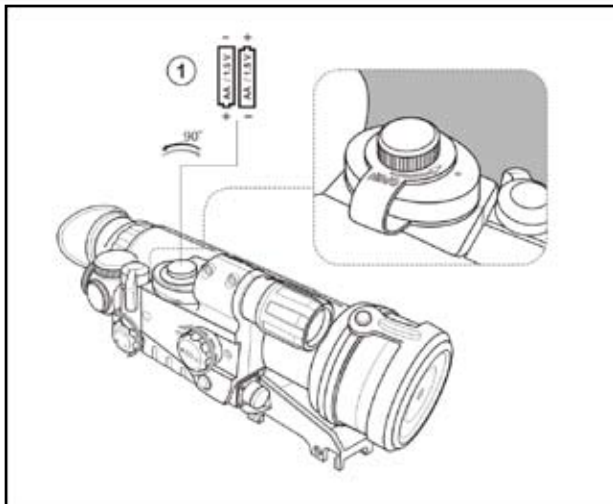
Das Nachtsichtvisier "Night Raider" ist für die Beobachtung und das Zielschießen in der Dämmerung und Nacht bestimmt.

Das Erzeugnis ist aufgrund der EOV der 1. Generation hergestellt und hat das Objektiv mit der Einstellung des Brennpunktes. Es ist ein passives Gerät, das meistens sicher ohne künstliche Lichtquellen arbeitet. Aber die eingebaute IR-Leuchte mit der Einstellung des Brennpunktes erhöht bedeutend die Effektivität seiner Anwendung. Die unabhängige Stromversorgungseinheit mit der Stabilisierung der Spannung arbeitet bis 70 Stunden mit zwei Batterien Typ AA; die Änderung des Nullpunktes des Einschießens ist bei der allmählichen Batterieentladung ausgeschlossen. Die senkrechte Lage der Batterien erhöht die Zuverlässigkeit ihrer Arbeit beim Schießen.

Ihr Visier "Night Raider" ist ein universales Nachtsichtgerät, das ideal zu verschiedenen Bereichen für die berufliche und liebhaberische Anwendung passt, einschließlich Nachtsbeobachtung und - Jagd, und Nachtslichtbild- und Videoaufnahme.

INSTALLATION DER BATTERIEN

- 1) Schrauben Sie gegen den Uhrzeigersinn den Deckel des Batteriefaches (1) ab. Dafür benutzen Sie den Schraubenzieher oder eine kleine metallische Münze.

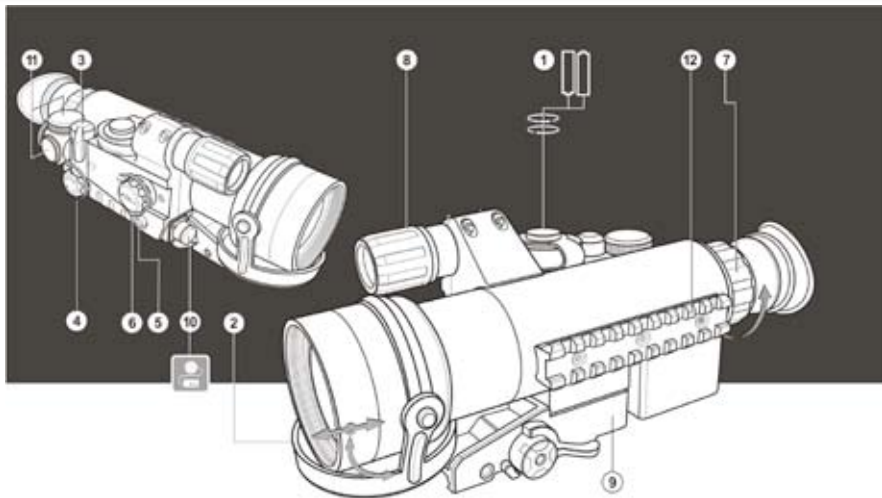


- 2) Legen Sie zwei Batterien Typ AA (es ist zulässig, auch zwei Akkumulatoren batterien, die der Batterie AA äquivalent sind, zu verwenden) auf solche Weise, dass (+) und (-) der Markierung an dem Gehäuse entsprechen, ein.
- 3) Schrauben Sie den Deckel (1) zu.

EINSATZ DES GERÄTES

- 1) Legen Sie Batterien laut Hinweisen des Abschnitts "Installation der Batterien" ein.
- 2) Treten Sie in die dunkle Zone ein.
- 3) Nehmen Sie den Deckel des Objektivs, geschoben ihn auf das Gehäuse des Objektivs, ab (2).
- 4) Schalten Sie das Gerät ein, umgedreht den Griff (3) in die Position "ON" leuchtet die grüne Anzeige.

- 5) Bei der Entladung der Batterien ändert die Anzeige die Farbe auf rot. Es bedeutet, dass Visier mit eingeschalteter IR-Leuchte bis zu der vollen Entladung der Batterien im Laufe von etwa 30 Minuten normal funktionieren wird.
- 6) Sie können das Visier auch in der beleuchteten Zone prüfen. Diese Arbeitsweise ist nur für die Prüfung der Arbeitsfähigkeit des Gerätes vorgesehen, dabei soll Deckel (2) auf das Objektiv dicht aufgesetzt sein.
- 7) Für die Regelung der Helligkeit der roten Visieranzeige drehen Sie den Griff (4) um.
- 8) Für das Auswählen der Farbe der Visieranzeige (grün oder rot) drücken Sie die Taste (5).
- 9) Wählen Sie ein unbewegliches Beobachtungsobjekt, das etwa 100 Meter fern ist.
- 10) Stellen Sie den Griff der Fokussierung des Objektivs (6) an "100" - darüber wird ihre erhöhte Fixierungskraft zeugen.
- 11) Beobachten Sie das gewählte Objekt durch Visier, drehen Sie den Ring der Fokussierung des Okulars (7) bis zum Erhalten der maximalen Qualität des Bildes.
- 12) Falls notwendig ist, schalten Sie die eingebaute IR- Leuchte ein (8). Dafür drehen Sie den Griff (3) in die Position "IR" - leuchtet rote Anzeige.
- 13) Drehen Sie die IR-Leuchteblende (8) bis zum Erhalten der notwendigen Fokussierung des IR-Lichtfleckes um.
- 14) Nach der gegebenen Einregulierung, unabhängig von der Distanz und der sonstigen Bedingungen, den Ring des Okulars (7) zu drehen es ist nicht erforderlich. Passen Sie die Qualität des Bildschirmbildes nur mittels Drehen des Griffes der Fokussierung des Objektivs (6) und der IR-Leuchtblende (8) an.
- 15) Nach der Nutzung des Gerätes schalten Sie das Visier aus. Dafür drehen Sie den Griff (3) in die Position "OFF" um. Schließen Sie den Deckel (2) des Objektivs.
- 16) Sie können das Visier auf das Gewehr mit Hilfe des speziellen Befestigungsarmes (9) einbauen.
- 17) Nach der ersten Installation Ihres Visiers auf Gewehr, ist es notwendig, die Empfehlungen des Abschnitts "EINSATZ DES GERATES" zu erfüllen.
- 18) Das Momenteinschalten des Visiers und der IR-Leuchte auf der Jagd durch das Fernsteuerpult, das zur Steckbuchse (10) angeschlossen ist.



EINSATZ DES GERÄTES

Es ist empfehlenswert, das Visier bei der Temperatur des Visierbetriebs auf folgender Weise einzuschießen:

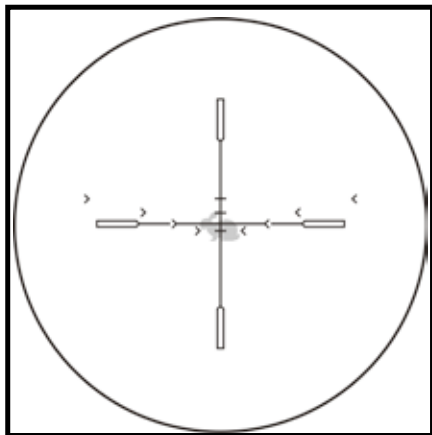
- 1) Stellen Sie das Gewehr mit dem Visier auf eine Einschießmaschine ein. Überzeugen Sie sich, dass es im Sehfeld des Visiers keine hellen Lichtquellen gibt. Stellen Sie die Zielscheibe auf eine Einschießreichweite 50 Meter auf. Die Beleuchtungsstärke im Bereich der Zielscheibe bei Einschießen soll nicht mehr als 1 Lux sein. Nehmen Sie den Deckel des Objektivs, geschoben ihn auf das Gehäuse des Objektivs, ab (2). Schalten Sie das Gerät ein, umgedreht den Griff (3) in die Position "ON".
- 2) Stellen Sie das Gewehr in die Zielscheibenmitte entsprechend mechanischem Visier auf. Stellen Sie das Visier laut der Empfehlung des Abschnitts "NUTZUNG DES VISIERS" ein. Den Ring der Fokussierung des Okulars (7) drehend, erreichen Sie das scharfe Bild der Zielscheibe. Stellen Sie die optimale Helligkeit der roten Visiermarke mit dem Griff (4) ein. Wenn die Zielscheibenmitte nicht im Einschießpunkt liegt (*Mitte des Strichkreuzes von roter Visiermarke*), dann, vorläufig die Kappen auf den Ausrichtensscheiben (11) abdrehend, die Scheiben R und UP drehend, erreichen Sie die Deckung der Zielscheibenmitte mit der Mitte des Strichkreuzes der Visiermarke.
- 3) Geben Sie 3-4 Kontrollschüsse ab, sorgfältig und ähnlich in einen Einschießpunkt zielend. Bestimmen Sie die Trefferdichte und die Lage des mittleren Punktes des Treffens (MPT); bei der Abweichung des MPT in irgendwelche Seite über die zulässige Höhe, die Ausrichtensscheibe (senkrecht UP, waagrecht - R) drehend, erreichen Sie die Deckung des MPT mit dem Einschießpunkt. Dabei merken Sie sich, dass ein Klick bei der Drehung der Scheibe der Markeabweichung um 20 mm 100 m weit. Prüfen Sie die Richtigkeit des Ausrichtens durch das nochmalige Schießen. Das Visier ist nach der gewählten Länge eingeschossen.

NUTZUNG DER VISIERMARKE

Die Visiermarke Ihres Visiers hat ein Entfernungsnetz, mit Hilfe dessen das Schießen auf verschiedene Entfernungen korrigiert sein kann. Für die richtige Arbeit des Netzes ist es notwendig, das Visier auf die Entfernung von 50 Meter einzuschießen, der dem zentralen Fadenkreuz entspricht. Wenn man die Darstellung des Ziels (des Gegenstands) mit der realen Breite 0,5 M. im Visier zwischen den Marken ("Zeichen") im zentralen Fadenkreuz hineinpassen kann,

dann ist die Entfernung bis zum Ziel 50 M. ist. Die Striche der senkrechten Korrekturskala entsprechen der Entfernung bis zu dem Ziel in 100, 50, 25 und 15 Meter, beginnend vom niedrigen Wert. Das heißt, wenn das Ziel mit der realen Breite 0,5 Meter zwischen den Marken ("Zeichen") der niedrigsten Korrekturskala hineinpasst, so ist bis zum Ziel 100 Meter ist, und es notwendig ist, ins Zentrum des Ziels mit der Korrektur in der unteren Korrekturmarke durchzuführen.

Bis zum Ziel mit der realen 0,5M. ist 100M.



Sie können die Farbe der Visiermarke umschalten: die rote Farbe der Marke verwenden Sie unter den Bedingungen der guten, kontrastreichen Sicht des Ziels; die grüne Farbe der Marke verwenden Sie unter den Bedingungen, wenn das Ziel nicht genügend kontrastreich ist dann wird die Visiermarke weniger die Darstellung des Ziels "beschatten".

VERWENDUNG DER FERNBEDIENUNG

Im Lieferumfang des Visiers Night Raider ist eine Fernbedienung enthalten. Diese verfügt über 3 Tasten:

- 1) Die Taste „ON“ - schaltet das Visier ein/aus (*wird fixiert nach dem drücken*).
- 2) Die Taste „IR“ - schaltet die integrierte IR-Beleuchtung ein/aus (*wird fixiert nach dem drücken*).
- 3) Die Taste „Schnelleinschaltung“ - schaltet sofort das Visier und die IR-Beleuchtung ein/aus (*das Gerät funktioniert nur wenn die Taste gedrückt bleibt*). Sobald Sie die Taste „Schnelleinschaltung“ los lassen, schaltet sich das Visier automatisch aus. Auch die IR-Beleuchtung und das Fadenkreuz gehen aus. Nur das restliche grüne leuchten der Bildverstärkerröhre bleibt für einen bestimmten Zeitraum (*das leuchten gilt nur für die Gen.1 und CF-Super Geräte*).

TECHNISCHE KONTROLLE

Bei der technischen Kontrolle, die vor jeder Jagd empfohlen ist, ist unbedingt zu prüfen:

- Den äußerlichen Zustand des Gerätes (*Risse, tiefe Druckstellen und die Korrosionsspuren sind nicht zulässig*).
- Den Zustand der Speisungselemente und der elektrischen Kontakte des Batteriefaches, die Batterien sollen nicht entladet sein; die Elektrolyt-, Salz-, und Oxydierungsspuren sind nicht zulässig.
- Die Richtigkeit und Zuverlässigkeit der Visierbefestigung auf dem Gewehr (*Lüfte sind strengstens nicht zugelassen*).
- Den Zustand der Objektivlinsen, des Okulars und IR-Leuchte (*die Risse, Fettflecke, den Schmutz, die Wassertropfen und andere Beschläge*) sind nicht zugelassen.

- Die Zuverlässigkeit des Auslösens des Betriebsumschalters (3), des Reglers der Helligkeit der Einschießmarke (4).
- Die gleichmäßige Bewegung des Fokussierungsgriffs des Objektivs (6) und des Okularrings (7).

AUFBEWAHRUNG

Lagern Sie das Gerät immer nur in dem Futteral, im trockenen, gut gelüfteten Raum. Lagern Sie das Gerät bei der Temperatur nicht unter +10°C und Feuchtigkeit nicht über 70%. Bei der Dauerlagerung ziehen Sie unbedingt die Batterie heraus.

WARTUNG

Die Wartung ist mindestens zwei Male im Jahre durchzuführen und nämlich:

- Reinigen Sie die Außenflächen der Metall- und Plastteile vom Staub, Schmutz und der Feuchtigkeit; wischen sie mit Baumwolltuch, der leicht mit dem Waffenöl oder dem Vaseline angefeuchtet ist, ab.
- Reinigen Sie die elektrischen Kontakte des Batteriefaches mit dem beliebigen nicht fetten, organischen Lösungsmittel.
- Prüfen Sie die Linsen des Okulars, Objektivs und IR- Leuchte; vorsichtig stäuben ab; wenn es notwendig ist, reinigen Sie ihre äußerliche Oberflächen.

ACHTUNG

Die empfohlene Energie der Patronen für Visiere der 1. Generation soll nicht 3700 Joules übertreten. Das Visier mit EOY der 1. Generation erträgt die Stoßüberlastung, die dem Kaliber nicht mehr als 7,62/.308 entspricht. Die Garantie des Produzenten wird annulliert, wenn die Patronen des Kalibers über 7,62/.308, die selbstgemachten Ladungen verwendet wurden oder es aus dem Jagdgewehr mit glattem Lauf geschossen wurde.

- Schalten Sie das Gerät mit dem geöffneten Objektivsdeckel in der beleuchteten Zone nicht ein, richten Sie auf die helle Lichtquelle (*Scheinwerfer des Autos, das Lagerfeuer und dgl.*) nicht, da es Visier außer Betrieb setzen oder unverbesserlich die Wirksamkeit seiner Arbeit und Ressource herabsetzen kann.
- Eilen Sie nicht, den Deckel des Objektivs in der beleuchteten Zone zu öffnen die Spannung an der EOY wird im Laufe von 20 Minuten nach dem Ausschalten des Visiers (*EOY funktioniert*) gehalten!
- Das Visier hat einen erhöhten Schutz vor Feuchtigkeit IPX4 und kann bei den Niederschlägen einer beliebigen Intensität betrieben werden, aber tauchen Sie das Visier ins Wasser nicht ein!
- Es ist verboten, den Befestigungsarm des Visiers zu reparieren, zu demontieren, und zu ändern!
- Reinigen Sie die optischen Außenteile sehr vorsichtig und nur im Falle der dringenden Notwendigkeit. Zunächst wischen Sie vorsichtig den Staub und Sand von der optischen Oberfläche, dann reinigen. Benutzen Sie ein sauberes Baumwolltuch, Spiritus oder die speziellen Mittel für die mehrschichtigen Linsen. Gießen die Flüssigkeit direkt auf die Linse nicht!
- Das Visier kann man bei Temperatur von -30°C bis +40°C verwenden. Aber wenn das Visier von der Kälte in den warmen Raum getragen ist, schalten Sie es im Laufe von 3-4 Stunden nicht ein.
- Wenn es Ihnen nicht gelang, leicht und sicher (ohne Luft, direkt längs der Linie des Laufes) das Visier an das Gewehr einzubauen; oder Sie zweifeln, dass es richtig befestigt ist, - wenden Sie sich unbedingt an spezialisierte Gewehrwerkstatt. Das Schießen mit falsch eingebautem Visier kann zur Verformung und Zerstörung des Befestigungsarmes bringen!
- Für die Sicherung des störungsfreien Betriebs, die Vorbeugung und Beseitigung der Gründe, die den vorzeitigen

Verschleiß oder den Ausfall der Blockteile oder Teile verursachen kann, ist die technische Besichtigung und die Wartung des Visiers rechtzeitig durchzuführen.

Die Beschädigungen des Gerätes als Ergebnis der Nichterfüllung von oben erwähnten Empfehlungen annullieren die Garantie des Betriebes - Herstellers.

FEHLERBESEITIGUNG

In der Tabelle ist die Liste der möglichen Probleme, die bei dem Betrieb des Visiers entstehen können, aufgeführt. Führen Sie die empfohlene Prüfung und Korrektur auf Art und Weise, wie es in der Tabelle angeführt ist, durch. Wenn in der gegebenen Liste das Problem nicht erwähnt ist, oder die erwähnte Maßnahme für die Beseitigung des Defektes kein Ergebnis hat, teilen Sie darüber dem Hersteller mit.

Das Visier schaltet sich nicht ein:

- Die Batterien sind falsch eingelegt. Legen Sie die Batterien entsprechend der Markierung ein.
- Summarische Spannung auf Batterien unter 2,0 V. Ersetzen Sie die Batterien.
- Kontakte im Batteriefach sind oxidiert, die Batterien "lecken" oder auf die Kontakte geriet die chemisch aktive Flüssigkeit. Reinigen Sie Batteriefach, reinigen Sie die Kontakte.

Das unscharfe Bild der roten Anzeige es gelingt nicht das Okular richtig zu richten:

Das Okular ist nicht richtig eingestellt. Stellen Sie das Okular ein.

Bei dem deutlichen Bild der roten Anzeige ist das unscharfe Bild des Objektes, das mindestens 30 M. fern ist:

- Staub und Feuchtigkeit auf den optischen Außenflächen des Objektivs und Okulars. Wischen Sie die optischen

Außenflächen mit dem weichen Baumwolltuch ab.

- Die Feuchtigkeit auf den inneren Oberflächen des Objektivs und Okulars, auf den optischen Oberflächen der EOVisier es ist bei der Übertragung des Visiers von der Kälte in den warmen Raum möglich. Trocknen Sie das Visier lassen Sie für 4 Stunden im warmen Raum.

Einzig kleine deutliche dunkle Punkte im Gesichtsfeld bei dem deutlichen Bild:

Die Punkte am Bild der EOVisier, die technologiebedingt sind, beeinflussen die Arbeitsfähigkeit und Zuverlässigkeit nicht. Die Maße von Punkten sind in den technischen Bedingungen zur EOVisier und das Gerät festgesetzt. Verwenden Sie das Gerät.

Das Visier oder die IR-Leuchte schalten sich mit dem Griff des Schalters auf dem Visier nicht aus:

Das Visier ist mit dem Fernsteuerpult (FSP) eingeschaltet. Schalten Sie das Gerät und die IR-Leuchte mit den Tasten des FSPs aus.

Die Anzeige bei dem Schießen wird verschoben:

Es gibt keinen festen Einbau des Visiers am Gewehr. Prüfen Sie die Festigkeit des Einbaues des Visiers. Überzeugen Sie sich, dass Sie die Art der Patronen, mit denen Sie früher Ihr Gewehr und Visier eingeschossen haben, verwenden. Wenn Sie das Visier im Sommer eingeschossen haben, und es im Winter (oder im Gegenteil) verwenden, dann eine gewisse Veränderung des Nullpunktes des Einschießens nicht ausgeschlossen ist.

Das Visier wird nicht fokussiert:

Es ist nicht richtig eingestellt. Stellen Sie das Gerät entsprechend dem Abschnitt "Nutzung des Visiers" ein. Prüfen Sie die Außenflächen der Linsen des Objektivs und Okulars; falls notwendig ist, reinigen Sie sie vom Staub, Kondensat, Reif usw. Bei kaltem Wetter können Sie spezielle Anlaufenschutzschicht (*zum Beispiel, wie für Korrekturbrillen*) verwenden.

SIGHMARK EINGESCHRÄNKTE LEBENSLANGE GARANTIE

Ihr Produkt ist garantiert frei von Produktions- und Verarbeitungsfehlern. Im Fall eines Defekts im Sinn dieser Garantie, werden wir nach unseren Vorstellungen, das Produkt reparieren oder ersetzen. Im Bezug auf die Nachtsichtgeräte ist die Sichtverstärkererröhere, die die Restlichtverstärkung ermöglicht, sowie alle anderen elektrischen und lichtverstärkenden oder unterstützenden Komponenten wie Laser, Rotpunkt und holographische Visiere mit 3 Jahren Garantie versehen. Leuchtdioden, Batterien und andere Einheiten sind in der Garantie. Diese Garantie trägt nicht die Schäden aus falscher Behandlung oder inkorrektur Handhabungen. Auch verfällt diese Garantie bei Modifikationen oder Veränderungen durch Dritte.

Wenn Sie ein Produkt für eine Garantiereparatur einschicken, sind Sie verpflichtet ein RA Anfrageformular auszufüllen, das sie auf der Homepage des Herstellers finden. Sobald das Formular angekommen und bearbeitet ist erhalten Sie eine Bestätigung, die ihre RA Nummer und ein PDF Rücksendeformular enthält. Das vollständig ausgefüllte Formular und das Produkt senden Sie bitte an uns. Um Ihre Anfrage zur Reparatur zu Ihrer Zufriedenheit zu erfüllen folgen Sie bitte den Onlineanweisungen zum Rücksendungsformular. Wenn die Angaben nicht vollständig sind wird ihr Produkt so lange einbehalten bis die angeforderten Dokumente eingegangen sind.

Falls Sie eine RA Nummer im Bezug auf den Garantieservice, eine Reparatur außerhalb der Garantie oder nähere Informationen im Bezug auf die Garantiedetails oder Informationen zum Produkt benötigen, besuchen Sie bitte www.sightmark.com.

Diese Garantie ist nicht übertragbar und nur gültig bei einer Registration innerhalb von 30 Tagen auf der Website des Herstellers.nachdem das Produkt käuflich erworben wurde. Um sich zu registrieren gehen Sie bitte auf die Website, Warranty Details and updates, insbesondere spezialisierte Garantiebestimmungen außerhalb der USA(Vereinigte Staaten von Amerika). Darin beinhaltet sind Informationen bezüglich Verschiffungskosten und/oder Bearbeitungsgebühren. Eine Onlineregistrierung beinhaltet auch spezielle Abdeckung und einen schnelleren Garantieservice.

**Garantie unterschiedlich je nach Land. Besuchen Sie die Website für Details.*

S I G H T  M A R K[®]

www.sightmark.com