



RECON 325

DIGITAL NIGHT VISION

I N S T R U C T I O N S

ENGLISH / FRANÇAIS / DEUTSCH / ESPAÑOL / ITALIANO / РУССКИЙ

10 ● ХРАНИЕ

70%.

+10°

11 ● ВЫЯВЛЕНИЕ НЕИСПРАВНОСТЕЙ

Проблема	Проверка	Исправление
<hr/>		
<hr/>		
<hr/>		
<hr/>		
<hr/>		
<hr/>		
<hr/>		

()

Reset () (18)

!

SONY,

Pulsar,

(4%)

SONY.

7

● АКСЕССУАРЫ

(9)

Pulsar-940 (

¼

Pulsar-940

8

● ОСОБЕННОСТИ ЭКСПЛУАТАЦИИ

);

2-3

9

● ОБСЛУЖИВАНИЕ

DIGITAL NIGHT VISION
RECON 325

2-11

ENGLISH

VISION NOCTURNE DIGITALE
RECON 325

12-21

FRANÇAIS

DIGITALES NACHTSICHTGERÄT
RECON 325

22-31

DEUTSCH

DISPOSITIVO DIGITAL DE VISIÓN
NOCTURNA RECON 325

32-41

ESPAÑOL

VISORE NOTTURNO DIGITALE
RECON 325

42-51

ITALIANO

ЦИФРОВОЙ ПРИБОР НОЧНОГО
ВИДЕНИЯ RECON 325

52-60

РУССКИЙ

SPECIFICATIONS MODEL

	78022 RECON 325	78032 RECON 325R	78027 RECON X325
Optical characteristics			
Magnification, x	2	2	2.7
Objective lens	24 mm, F/ 0.92	24 mm, F/ 0.92	24 mm, F/ 0.92
Max. detection range, m/yds*	150/164	150 / 164	350/383
Field of view, degree/m (@ 100m)	12 / 21	12 / 21	12 / 21
Eyeiece dioptre adjustment, D	±5	±5	±5
Resolution, lines/mm	37	37	≥50
Operational characteristics			
Operating voltage, V	6 (4xAA)	6 (4xAA)	6 (4xAA)
External power supply/Consumption power n/a	n/a	n/a	9-15V/3W
Operation time with one set of rechargeable batteries (built-in IR off/on), hour	12 / 9	12 / 9	5 / 4
Output video signal standard	CCIR / EIA**	CCIR / EIA**	CCIR / EIA**
Camera resolution	500x582/510x492	752x582/768x494	
Type of CCD sensor CCIR	Sony ICX-255AL, 1/3"	Sony ICX-659AL, 1/3"	
EIA	Sony ICX-254AL, 1/3"	Sony ICX-658AL, 1/3"	
Min/max working illuminance (f1.2, S/N 20dB), lux		0.005 / 30000	0.0001 / 30000
Tripod mount, inch	¼	¼	¼
Operating temperature		-10 °C ~ +45 °C / +14 °F ~ +113 °F	
Degree of protection, IP code (IEC 60529)	IPX6	IPX4	IPX6
Dimensions, mm:	162x83x55 /	162x83x52	169x83x55 /
inch:	6.4x3.3x2.1	6.4x3.3x2	6.6x3.3x2.1
Weight (without batteries), kg/oz	0.24 / 11.3	0.27 / 14.1	0.27 / 12.3
Characteristics of videorecorder			
TV system	--	PAL/NTSC	--
Video/photo format	--	AVI/JPG	--
Video/photo resolution	--	640x480, 320x240	--
Frame frequency	--	30 frames/sec	--
Horizontal resolution	--	420 TV lines	--
Type of memory card	--	SD (4Gb)	--

Models 78022K, 78032K, 78027K are supplied with IR Pulsar-940 Flashlight.

* Max. detection range of an object measuring 1.7x0.5 m in natural night conditions (0.05 lux, quarter moon).

** Depending on the region of sale.

1

PACKAGE CONTENTS

- Digital night vision device
- Carrying case
- Wrist strap
- Video cable
- SD memory card*
- Tripod adapter
- Lens cloth
- User manual
- Warranty card

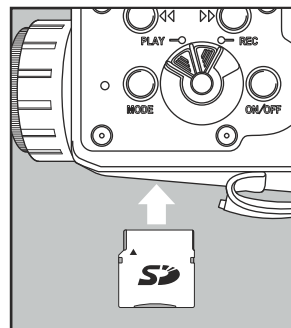


* Supplied with Recon 325R.

For improvement purposes, design of this product is subject to change.

6

КАРТА ПАМЯТИ



Максимальное время записи в зависимости от объема карты памяти и разрешения видеоролика:

	640x480 (VGA)	320x240 (QVGA)
512	28	102
1	55	200
2	111	400
4	222	800

FEATURES

- Video and photo function (Recon 325R)
- Sensitive CCD array
- High Aperture Lens
- Signal Processing Function Sum Light™ (Recon X325)
- High Resolution
- Great Viewing Distance
- New Eyepiece Enhancing Image Sharpness/ Contrast
- Compact & Lightweight
- Degree of protection - IPX4 (IPX6)
- Video Output
- Video Input (except for the Recon X325)
- Resistant to Bright Light Exposure
- Contrast Gain Function (except for the Recon X325)
- User Choice of the LCD's Emission Color (except for the Recon X325)
- Additional Weaver MIL-STD-1913 Rail for Accessories
- Ergonomic eyeshade that protects against lateral ambient light

Your digital night vision monocular **Recon 325** is perfectly suited to a wide range of applications including:

- Outdoor observation
- Hunting & camping
- Sports and night navigation/observation
- Commercial and personal fishing and boating
- Search and rescue
- Equipment maintenance

BATTERY INSTALLATION

- Unscrew and remove the battery cover.
- Install four AA batteries as indicated (see illustration). Rechargeable batteries are recommended for use.
- Replace and screw back the battery cover.

Attention! Please do not use batteries of different types or batteries with various charge level.

The **Recon X325** can be powered with an external DC power supply with voltage ranging from 9V to 15V or a 12V vehicle socket. External power supply (AC/DC) (2.1 mm plug) is to be connected to "Power" (19) jack.

External power supply DOES NOT charge the batteries in the device!

Attention! In order to ensure reliable operation use only certified quality power supply units.

on/off (12) 4-5 LED

(14). "mode", " / " (13) "rec".

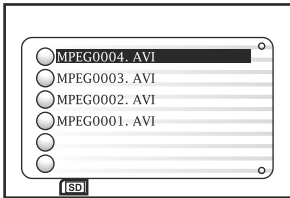
"OK" (10), on/off (12) (14)

(12) 4-5 LED

"ON" (2). on/off (12) 4-5 LED

(14). " " "Play". " " (.avi)

(.jpg).



(16) (17) (16) (17)

"OK" (10). "Mode" (15).

1-2 - "OK" (10) (16) (17)

"OK" (10)

ФУНКЦИЯ "ОБНАРУЖЕНИЕ ДВИЖЕНИЯ"

" " (10), "rec".

"AUTO".

APPLICATION

- Remove the lens caps from the objective lens (1).
 - Activate the device by pressing the «ON» (2) button - the green LED (3) will light up. If the battery is low the color of the indicator will turn red.
 - Locate an object within 20 to 30 meters.
 - Adjust image brightness by turning the adjustment wheel (4).
 - Rotate the eyepiece (5) and objective lens (1) until you see a sharp image. When changing the viewing distance, try to see a sharp and high-quality image by rotating the objective lens (1) and brightness adjustment wheel (4). Do not rotate the eyepiece (5) - the device has already been individually adjusted.
 - In low light conditions or in complete darkness you may switch on the built-in IR Illuminator (6) by pressing the “IR” button (7). The IR Illuminator increases viewing range and enhances image brightness.
 - To transmit the observed image to an external LCD monitor, plug one jackplug of the video cable (supplied) into Recon’s video output (10) and the second jackplug (AV OUT) to an external device. If coupled with video equipment, the Recon can record the observed image.
 - In order to use video input function, plug the jackplug (AV IN) of the video cable to an external device (see connection diagram). Video input is designed to connect external source and transmit video signal to Recon’s display.
 - Next to the “IR” button there is a button “■”(9), which helps you choose the color of the display (black and white, green, red) and increase image contrast. The button “■”(9) works as follows:
 - **first touch** - contrast increase of black and white image;
 - **second touch** - change of display color from black and white to green;
 - **third touch** - change of display color from green to red (red light reduces eye strain during observation);
 - **fourth touch** - return to the black and white image.
- Button “■”(9) in the Recon X325 deactivates and activates the Signal Processing Program Sum Light™. This function activates automatically after the unit is on. If you do need the function, deactivate it manually.

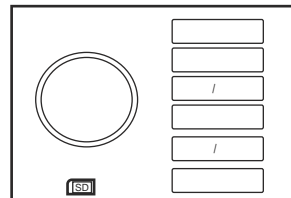
Sum Light™ function and its peculiarities

The Sum Light™ function based on the accumulation of signals inside the CCD array, increases sensitivity of the CCD array several times in case of low illumination levels thus making it possible to conduct observation virtually in complete darkness. However please note that higher sensitivity may trigger an increased noise level in the picture; in case of rapid movement of the device from one side to the other, the picture may be blurred for a moment. Neither of these effects is a flaw of the unit. After the SumLight™ is activated, a couple of light dots may appear in the field of view which is explained by operation peculiarities of this function. This is not a defect either.

USING THE VIDEORECORDER

Video mode

The Recon 325R is equipped with a built-in video recorder that enables recording video clips and capturing pictures of the image seen through the device’s eyepiece.



«OK» (10).
 «mode» (15)
 «mode»

« »
 (VGA) 320x240 (QVGA). () - 640x480

“OK” (10)
 (/ /). (/ /) (16) () (17)

“ ”
 “ ”

“ » “ »
 (Languages)

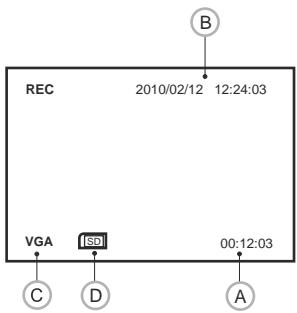
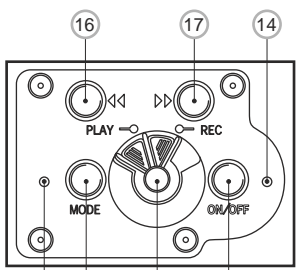
Режим «Фотосъемка»

“ON” (2).
 “ ”
 (13) “play”.

ИСПОЛЬЗОВАНИЕ ВИДЕОРЕКОРДЕРА

Режим «Видеозапись»

Recon 325R

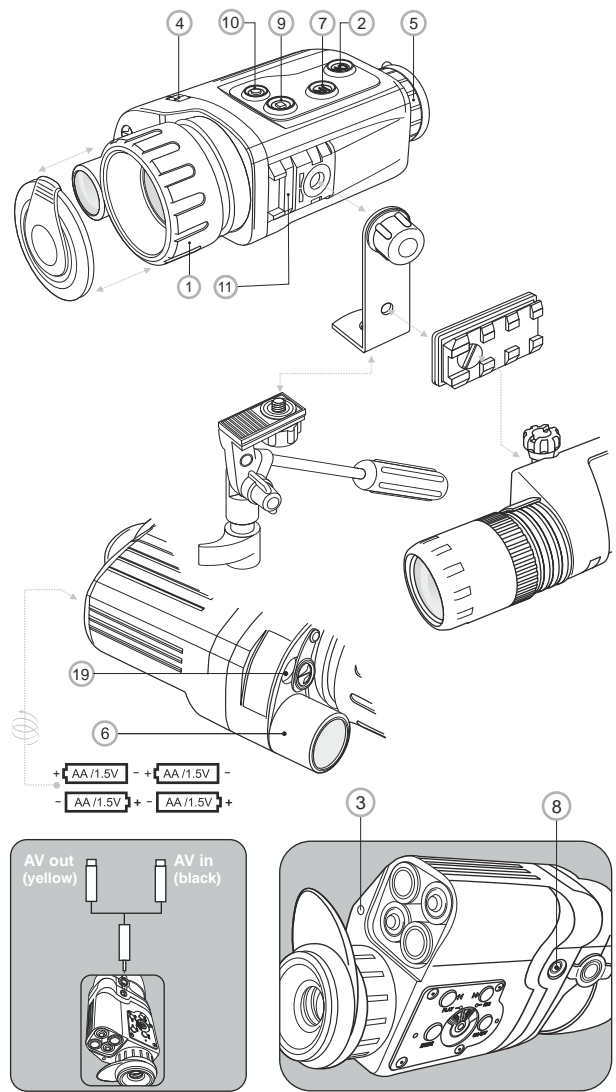


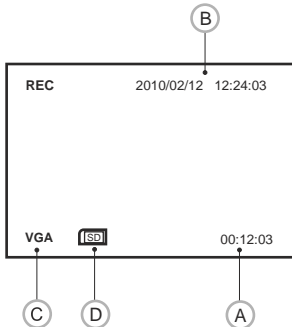
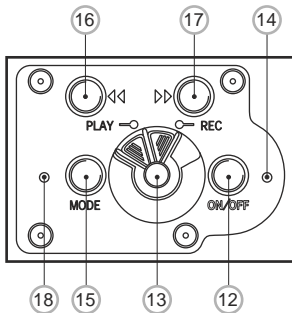
Меню «Настройки»

«play».

(2).
 (13)
 4-5
 (12)
 (14).
 QVGA (),
 (D) (.).
 " " (10).
 "REC".
 " " (10).
 "REC"
 on/off (12)
 5 LED (12)
 4- (14)

(13)
 «mode» (15)



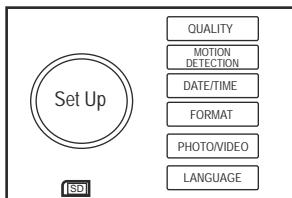


- Press the “ON” (2) button to start the device. Adjust the device according to the instructions in Section “OPERATION”.
- Turn the switch (13) to the “rec” position.
- Press and hold the “on/off” button (12) for 4-5 sec to start the video recorder. The blue LED indicator (14) on the right of the “on/off” button (12) will light up.
- The video viewfinder displays the following: available recording time (A), running date and time (B), video clip resolution (VGA or QVGA) (C), miniSD icon (D) (see picture).

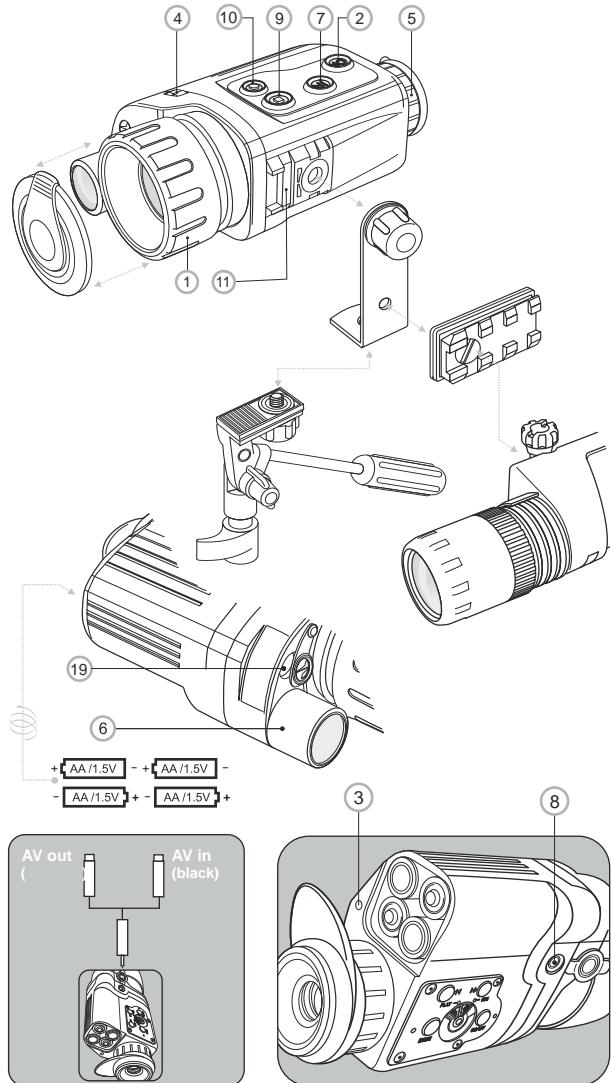
- Press the “OK” (10) button to start recording. The record icon “REC” is displayed in the top left-hand corner of the screen.
 - Press the “OK” (10) button to stop recording. The record icon “REC” goes out.
 - Press and hold the “on/off” button (12) for 4-5 sec to deactivate the video recorder. The blue LED indicator (14) goes out.
- Please note that if you switch off the unit, the video recorder will be stopped. All unsaved data will be lost!**
- If you want your settings to be saved, switch off the recorder first.**

Menu “Set up”

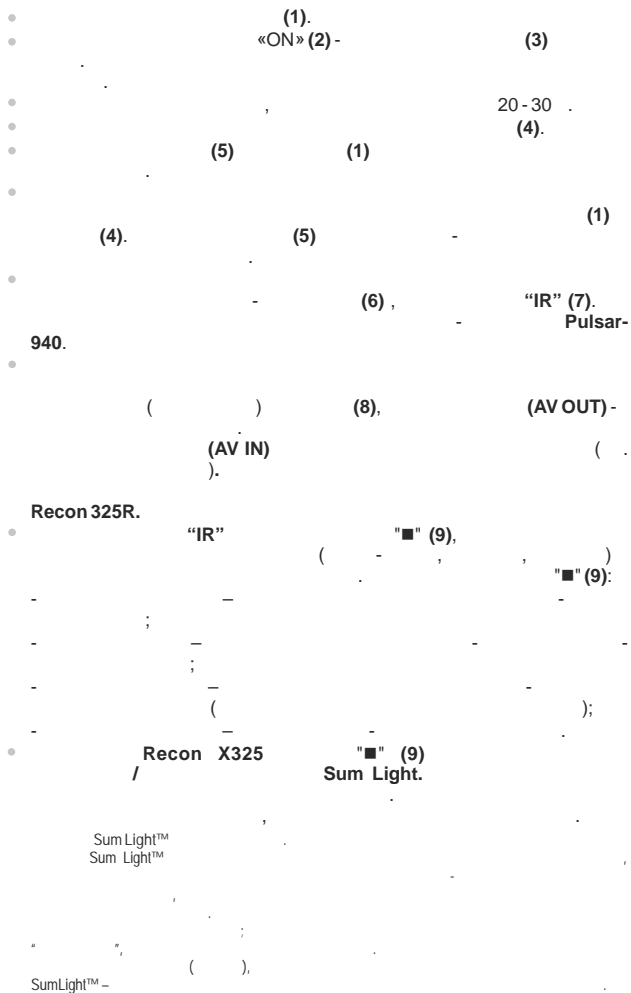
- Switch on the device and activate the video recorder. Turn the switch (13) to the “play” position. Press and hold the “mode” button (15) for 2 sec. The screen displays the following menu:



- To switch between options of the menu “Set up” use the (16) and (17) buttons. Press the “OK” (10) button to select required option. Press the “mode” button (15) for a second to return to preceding menu option. Press and hold the “mode” button (15) for two seconds to exit menu “Set up”.



ИСПОЛЬЗОВАНИЕ ПРИБОРА



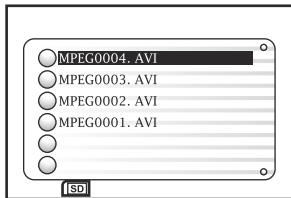
Menu “Set up” includes the following options:

- **Quality (Resolution).**
Select resolution of a video clip or an image - **640x480** (VGA) or **320x240** (QVGA).
- **Motion detection**
This function automatically activates video recording when a moving object in the device's field of view is detected. Further description of this function can be found in section **MOTION DETECTION**.
- **Date and Time settings.**
- **Setting the running date and time.** Press the “OK” (10) button to select parameter of the date (year/day/month) or time (hour/minute/second). Use the (16) button (parameter decrease) and the (17) button (parameter increase) to adjust the value of the selected parameter.
- **Date stamp.** To display actual date and running time in a video clip (or an image) select “Display” > “Yes”.
- **Format.**
Select option “Yes” to format the memory card.
Warning! Please make sure that all important data have been saved on an external source before format. Producer bears no responsibility for data loss.
- **Photo/Video**
Choose between video recording or picture capturing.
- **Languages.**
Ten interface languages are available: English, Chinese, Czech, German, Spanish, French, Italian, Japanese, Russian, Swedish.

Image mode

- Press the “ON” (2) button to start the device. Adjust the device according to the instructions in Section “OPERATION”.
- Turn the switch (13) to the “play” position.
- Press and hold the “on/off” button (12) for 4-5 sec to start the video recorder. The blue LED indicator (14) on the right of the “on/off” button (12) will light up.
- Press “mode” (15) to enter the main menu.
- Choose menu option “Photo/Video”, then choose “Photo”.
- Turn the switch (13) to the “play” position.
- Press the “OK” button (10) to capture a picture - the image stands still for a second at the moment of capturing.
Press and hold the “on/off” button (12) for 4-5 sec to deactivate the video recorder. The blue LED indicator (14) goes out.

Play mode



- Press the “ON” (2) button to start the device.
- Press and hold the “on/off” button (12) for 4-5 sec to start the video recorder. The blue LED indicator (14) on the right of the “on/off” button (12) will light up.
- Turn the switch (13) to the “play” position.

- The screen displays a list of recorded video clips (in .avi format) and captured images (in .jpg format). Use the (16) and (17) buttons to select the required video clip or image. Press the “OK” (10) button to play a file. Press the “OK” (10) button again to pause a file. Use the (16) REW and (17) FWD buttons to rewind a file. To speed up/slow down rewinding press the respective button.
- To start viewing images in “Slide show” mode, press “OK” (10). Press “Mode” (15) to exit “Slide show”.
- Press the “mode” button (15) to exit Play mode.

Deletion of a video clip/picture

Use the (16) and (17) buttons to select the file to be deleted. Keep the “OK” (10) button pressed for 1-2 seconds – deletion menu will show up. Press the “OK” (10) button to delete a file.

MOTION DETECTION

- Start the device and the video recorder, select option “Motion detection”.
- Press the “OK” (10) button, select option “Yes”.
- Turn the switch (13) to the “rec” position.
- The record icon “AUTO” is displayed in the top left-hand corner of the screen.
- Press the “OK” (10) button to switch the video recorder to stand-by mode. As soon as a moving object appears in the field of view, recording starts automatically (“rec” icon displays in the top left-hand corner of the screen).

Note: as illuminance level decreases, the distance at which a moving object can be detected, goes down.

- After the object is out of the device’s field of view recording continues for 10 seconds and then stops automatically (“rec” icon goes out). Recorder returns to stand-by mode again.
- Turn the switch (13) to the “play” position and press “mode” (15) to proceed to the menu.

Note: to achieve better results, it is recommended to install the unit on a tripod.

2

ОТЛИЧИТЕЛЬНЫЕ ЧЕРТЫ

- (Recon 325R)
- Sum Light™ (Recon X325)
- ()
- IPX4 (IPX6)
- (Recon X325)
- (Recon X325)
- X325)
- (Recon
- Recon 325
- :
- ()
- ()
- !
- Recon X325
- (AC/DC) (2,1) 8,4 15
- (12).
- !

3

УСТАНОВКА БАТАРЕЙ

- ()
- ()
- !
- Recon X325
- (AC/DC) (2,1) 8,4 15
- (12).
- !

ТЕХНИЧЕСКИЕ ХАРАКТЕРИСТИКИ	78022	78032	78027
МОДЕЛЬ	RECON 325	RECON 325R	RECON X325
	2	2	2.7
	24, F/0,92	24, F/0,92	24, F/0,92
	150	150	350
	12 / 21	12 / 21	12 / 21
	±5	±5	±5
	≥37	37	≥50
	6 (4xAA)	6 (4xAA)	6 (4xAA)
	n/a	n/a	9-15 /3
	12 / 9	12 / 9	5 / 4
	CCIR / EIA**	CCIR / EIA**	CCIR / EIA**
(CCIR/EIA)	500x582/510x492	752x582/768x494	
CCIR	Sony ICX-254AL, 1/3"	Sony ICX-659AL, 1/3"	
EIA	Sony ICX-255AL, 1/3"	Sony ICX-658AL, 1/3"	
(1.2, / 20),	0,005 / 30000	0,0001 / 30000	
	¼	¼	
	-10 °C ~ +45 °C	-10 °C ~ +45 °C	
IP (IEC 60529)	IPX6	IPX4	IPX6
	162x83x55	162x83x52	169x83x55
	0,24	0,27	
	--	PAL/NTSC	--
	--	AVI/JPG	--
	--	640x480/320x240	--
	--	30	--
	--	420	--
	--	SD (4)	--
78022K, 78032K, 78027K		-	Pulsar-940.
	0,05 ()	1,7x0,5	

1 КОМПЛЕКТ ПОСТАВКИ

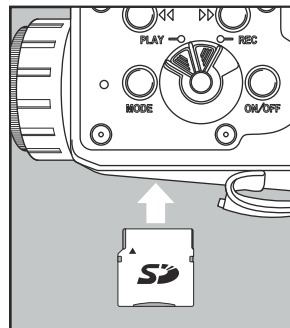
SD*

Recon 325R.



6 MEMORY CARD

- Video clips and images captured are saved to the SD memory card only. The device does not have internal memory. Maximum capacity of a memory card should not exceed 4Gb.



- Please format the memory card in the device before use. Follow instructions set forth in option "Format" of menu "Set up".
- Open the cover of the memory card slot. Insert the card in the slot as shown in the picture and push it in. You can hear a click when the card locks into place.
- Close the cover of the memory card slot. Ensure that the cover is properly closed.

Do not remove the memory card during an operation when

the card is being accessed. Doing so may damage the memory card and the device, and corrupt data stored on the card.

Max. recording time depending on the card capacity and video clip resolution:

Capacity of memory card	640x480 (VGA)	320x240 (QVGA)
512Mb	28 min	102 min
1Gb	55 min	200 min
2Gb	111 min	400 min
4Gb	222 min	800 min

After recording you can remove the memory card and view or process recorded data using some peripheral equipment (PC, lap-top etc.). Press the memory card to release it from the slot. Pull out the memory card.

ACCESSORIES

The **Recon 325** is equipped with a special mount (9) that allows you to affix various accessories, such as the **Pulsar - 940** IR Flashlight (IR illumination from the **Pulsar 940** is invisible to the human eye). The **IR Pulsar-940** can be optionally delivered along with the **Recon** unit. The **Recon** also has a ¼" standard socket for installation on a tripod. The **Recon** comes with a tripod adapter which enables the **Recon** to be installed on a tripod with affixed **Pulsar-940 IR** Flashlight.

CARE AND STORAGE

Turn off the device when not in use and when carrying the unit. The device can be used in daylight as well as nighttime conditions. However, do not point the device towards bright sources of light.

- After using the device in cold temperatures, please, wait up to 2-3 hours before using the device in the warm temperatures. This helps prevent condensation on the lenses.
- Do not leave the device in direct sunlight. Do not submerge in water.
- Do not subject the digital NV device to shock or impact. Do not drop. Sand, dust, and salt can damage the device.
- Do not connect any non-recommended accessories (headphones, for example) to the «Video» port. This may damage the device and void any guarantee.
- When focusing on the display (you can see the fine black net) a maximum of seven light or dark spots on the whole field of view in the image plane is acceptable.
- Design of the unit does not provide for adjustment of the IR-illuminator.

CLEANING

The housing of the device can be cleaned with a soft cloth. Do not use an abrasive cloth/chemical cleaning solutions.

Always use cleaning equipment designed for photographic equipment. Dust can be removed from the lens with a soft brush. The lens can be cleaned with any cloth designed for cleaning optical equipment. Do not pour lens cleaner on the lens itself!

Condensation on the lens may occur when bringing the device in from the cold. This is normal; condensation should disappear within one hour.

Important Note

Do not clean lenses and unit surfaces with any paper, such as newspaper, notebook paper, etc.: this can damage the coating.

MANIFESTAZIONE GUASTI

Nella Tabella si riporta la lista dei eventuali problemi che potrebbero manifestarsi nel funzionamento dell'apparecchio. Se sull'elenco non si vede il guasto oppure la procedura indicata non si risulta a liquidare la causa, preghiamo di comunicare il costruttore.

Problem	Spiegazione	Rimedio
L'apparecchio non si inserisce.	Verificare il corretto montaggio delle batterie nel contenitore. Assicurarsi del corretto funzionamento delle batterie.	Sostituire le batterie o montarle correttamente.
Qualità immagine inferiore.	Verificare il regolamento dell'oculare e dell'obiettivo secondo la procedura sull'MANUALE USO. Assicurarsi che la lente non ha la condensa, ne' contaminata. La ghiera di regolazione della luminosità (4) si trova nella posizione estrema.	Seguire le istruzioni per impostare lo strumento. Pulire la lente con la stoffa impregnata di alcohol. Regolate la luminosità con la ghiera.
Ci sono alcuni piccoli punti chiari o scuri (pixels) sul display del visore.	La presenza dei punti è causata dalla tecnologia di produzione delle matrici e non è un difetto se i punti non sono più di 7*.	Non è necessario alcun rimedio.
Recorder video non risponde se premuti pulsanti.	Probabile lo strumento si e' bloccato.	Premere Reset (18) (cancellazione) per ricaricare recorder video. Attenzione! Tutte regolazioni in questo caso ritornano ai valori della fabbrica.
Recorder video non effettua registrazione.	Scheda memoria non e' stata inserita. La scheda di memoria è piena.	Verificare la presenza e una corretta installazione della scheda memoria. Inserire una nuova scheda di memoria o cancellare i dati sulla scheda di memoria corrente.

* Particolarità dei sensori CCD

I sensori CCD Sony, utilizzati nei visori notturni digitali Pulsar, sono caratterizzati da un'elevata qualità. Tuttavia è possibile la presenza di qualche punto bianco e nero e di piccoli aloni di ampiezza variabile. Queste particolarità potrebbero presentarsi sia durante l'osservazione diurna che quella notturna. La presenza di punti bianchi e/o neri, di aloni e altre imperfezioni minori sul CCD (fino a 4%) sono da considerare accettabili, in accordo con quanto stabilito dal produttore Sony. La visibilità sullo schermo di un difetto bianco (vedi immagine) di uguale livello di difetto dipende dal tipo di CCD, dal tipo di apparecchio, aumento di temperatura dopo l'accensione dell'unità.

ACCESSORI

Il **Recon 325** è dotato di una slitta **(9)** che permette di applicare diversi accessori, come la torcia **Pulsar-940** (l'illuminazione IR del **Pulsar-940** è invisibile all'occhio umano). L'illuminatore **Pulsar-940** è un accessorio opzionale per il **Recon 325**. L'apparecchio ha anche un attacco standard da ¼" per tripode. Il **Recon 325** è dotato di un adattatore per treppiede che permette al Recon di essere installato su un treppiede unitamente alla torcia IR Pulsar-940.

AVVERTENZE PARTICOLARI

Spegner il visore quando non si usa e quando lo si trasporta. L'apparecchio può essere usato sia di notte che di giorno.

- Dopo aver usato il visore a basse temperature, attendere 2-3 ore prima di usarlo con temperature calde. Ciò per evitare la formazione di condensa sulle lenti.
- Non dimenticare l'apparecchio al sole. Non immergere in acqua.
- Evitare di far prendere colpi al visore. Non farlo cadere.
- Sabbia, polvere e sale possono danneggiare il visore.
- Non collegare altri accessori non raccomandati (ad esempio, cuffie) all'uscita "Video". Potrebbe danneggiare l'apparecchio ed invalidare la garanzia.
- L'eventuale presenza di alcuni piccoli punti chiari o scuri (fino al numero di 7) sul display non è da considerarsi un difetto.
- La progettazione del visore non consente la regolazione dell'illuminatore IR.

MANUTENZIONE

- Il corpo può essere pulito con un panno morbido. Non usare tessuti abrasivi o soluzioni etergenti chimiche. Usare sempre prodotti specifici per la pulizia di attrezzature fotografiche. Rimuovere la polvere dalle lenti con uno spazzolino morbido. Le lenti possono essere pulite con qualsiasi panno per la pulizia delle ottiche. Non versare mai detergenti per lenti direttamente sulle lenti stesse.
- Si potrebbe formare della condensa se il apparecchio viene portato dal freddo in un ambiente caldo. E' normale e la condensa dovrebbe scomparire nel giro di un'ora.

CONSERVAZIONE

- Prima di metterlo a parte estrarre cellule alimentazione e seccare l'apparecchio.
- Conservare l'apparecchio nella cuffia lontano dalla fonte di calore e di sfogo; la temperature non inferiore a +10 °C, l'umidità' relative non superiore a 70%.

STORAGE

Remove the batteries if the device will not be used for a long time. Always store the device in its case in a dry, well-ventilated area away from heating/air conditioning vents and other heating devices.

TROUBLESHOOTING

The table below lists possible problems that you may encounter with your equipment. If the problem is not listed or the corrective actions listed do not correct the issue please notify the manufacturer.

Problem	Test of inspection	Corrective action
Monocular fails to activate.	Visual. Check for defective, missing or improperly installed batteries.	Replace or install batteries.
Poor image.	Check the objective lens and eyepiece, making sure they are focused according to the instructions listed in section: OPERATING INSTRUCTIONS. ----- Check for fog or dirt on the lens. The brightness adjustment wheel (4) is in its extreme position.	Follow the instructions to adjust the device. Adjust brightness with the wheel.
There are several light or black dots (pixels) on the display of the device.	Presence of dots is caused by matrix production technology and is not a defect unless quantity exceeds 7*.	No action needed.
The video recorder does not respond when buttons are pressed.	The device must have "frozen".	Press Reset (18) to reboot the recorder. Warning! All settings will return to defaults.
Video recorder does not record.	The memory card is not inserted. The memory card is full.	Check that the memory is in the memory card slot and it is correctly installed. Insert a new card or erase data on the old one.

* Peculiarities of CCD array

Sony CCD arrays employed in Pulsar digital night vision devices, feature high quality. However certain white and black defective dots and variable amplitude spots are allowed. These defects can be easily detected when conducting observation both in the day and in the nighttime. Presence of white and black dots, spots and other minor defects of a CCD array (up to 4%) are acceptable in accordance with regulations of the company SONY.

Visibility on the screen of a white defect (see picture) of equal defect level depends on the type of CCD array, camera type, temperature increase after the unit is switches on.

CARACTÉRISTIQUES TECHNIQUES	78022	78032	78027
MODÈLE	RECON 325	RECON 325R	RECON X325

Caractéristiques optiques:

Amplification, fois	2	2	2.7
L'objectif	24 mm, F/ 0,92	24 mm, F/ 0,92	24 mm, F/ 0,92
Distance maximum de détection, m*	150	150	350
Champ visuel, degré d'angle/m (@100m)	12 / 21	12 / 21	12 / 21
Ajustement dioptrique de l'oculaire, dioptries	±5	±5	±5
La résolution, lignes/mm	≥37	37	≥50

Caractéristiques fonctionnelles:

Tension de travail	6 (4xAA)	6 (4xAA)	6 (4xAA)
Alimentation extérieure/énergie absorbée	n/a	n/a	9-15V/3W
Temps max d'utilisation avec un kit de batteries d'accumulateurs (IR intégré arrêté/marche), h	12 / 9	12 / 9	5 / 4
Modèle du signal	CCIR / EIA**	CCIR / EIA**	CCIR / EIA**
Résolution de la caméra, Pixel (CCIR/EIA)	500x582/510x492	752x582/768x494	
Type de la matrice CCD	Sony ICX-254AL, 1/3"	Sony ICX-659AL, 1/3"	
EIA	Sony ICX-255AL, 1/3"	Sony ICX-658AL, 1/3"	
Luminosité d'emploi min/max (f1.2, S/N 20dB), lux	0,005 / 30000	0,0001 / 30000	
Support de trépied, pouce	¼	¼	¼
Température d'emploi	-10 °C ~ +45 °C	-10 °C ~ +45 °C	
Degrés de protection, code IP (IEC 60529)	IPX6	IPX4	IPX6
Dimensions, mm	162x83x55	162x83x52	169x83x55
Poids (sans batteries), kg	0,24	0,27	0,27

Caractéristiques de l'enregistreur

Système TV	--	PAL/NTSC	--
Format vidéo/photo	--	AVI/JPG	--
Résolution du vidéo/photo, pixels	--	640x480/320x240	--
Fréquence images	--	30 images/sec	--
Résolution horizontale	--	420 lignes TV	--
Type de la carte mémoire (capacité max)	--	SD (4Gb)	--

Les modèles 78022K, 78032K, 78027K sont fournis avec la Torche IR Pulsar-940.

* Distance de la détection de l'objet avec dimensions 1,7x0,5 m à l'éclairage nocturne naturel 0,05 lux (un quart de la lune).

** Selon le lieu de vente.

1

CONTENU DE L'EMBALLAGE

- Monoculaire vision nocturne digital
- Étui de transport
- Dragonne
- Câble vidéo
- Carte mémoire SD*
- Adaptateur du trépied
- Chiffon doux
- Guide d'utilisation
- Carte de garantie



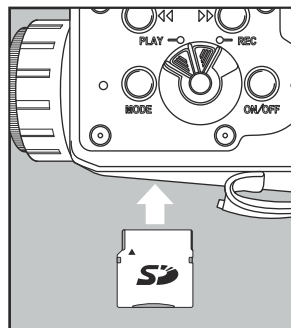
* Fourni avec le Recon 325R.

Le design de ce produit pourrait-être amené à changer, afin d'améliorer son utilisation.

6

SCHEDA MEMORIA

- Registrazione dei filmati video e fotografie si fa solo sulla scheda memoria SD, per la mancanza della memoria incorporata nello strumento. Capacità di scheda memoria massima 4Gb.



- Prima di usare scheda memoria nello strumento si consiglia di sezionarla (veda sezione "Formato" del menu "Regolazioni").
- Inserire la scheda come nella Figura. Assicurarsi dell'inserimento della scheda corretto (si sente click).
- **Non estrarre la scheda memoria durante registrazione o riproduzione!** La scheda può essere danneggiata o persi i dati.

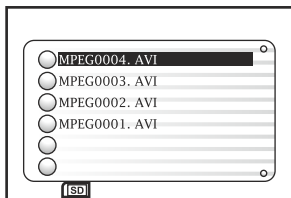
Tempo Massimo di registrazione video in funzione alla capacità di scheda memoria e risoluzione del filmato video:

Capacità di scheda memoria	640x480 (VGA)	320x240 (QVGA)
512 b	28 min	102 min
1Gb	55 min	200 min
2Gb	111 min	400 min
4Gb	222 min	800 min

Dopo registrazione potete estrarre scheda memoria e visionare dati registrati sul dispositivo esterno (quale ad esempio computer). Per estrarre la scheda aprire il tappo dello scompartimento scheda memoria, premere la scheda a click, la molla la spinge fuori.

Modo "Riproduzione"

- Accendere lo strumento con pulsante "ON" (2).
- Mantenere il pulsante **on/off (12)** 4-5 s., per accendere recorder video. LED blu (14) si accende a destra dal pulsante (12).
- Per andare al modo "Riproduzione" mettere selettore (13) nella posizione "Play".
- Sul display si vede la lista dei filmati video registrati (formato .avi) e fotografie (formato .jpg).



- Con il pulsante (16) e (17) selezionare il filmato desiderato. Per iniziare la riproduzione premere il pulsante "OK" (10). Il pulsante "OK" (10) si usa anche per introdurre una pausa di riproduzione. Per riavvolgimento indietro o avanti usare pulsanti (16) e (17) rispettivamente.

- Per aumentare (diminuire) la velocità di riavvolgimento premere il pulsante corrispondente. Per uscire dal modo "Riproduzione" premere il pulsante "mode" (15).

- Per iniziare a visualizzare le immagini in modo "Presentazione", premere "OK" (10). Premere "Mode" (15) per uscire "Presentazione".

Cancellazione di un video

- In modo "Riproduzione" tenere premuto il pulsante "OK" (10) per 1-2 secondi - comparirà il menu di cancellazione. Utilizzare i pulsanti (16) e (17) per selezionare il file desiderato e premere il pulsante "OK" (10) per cancellarlo.

FUNZIONE RIVELAZIONE MOVIMENTO

- Accendere lo strumento e recorder video, selezionare icona menu "Rivelazione movimento".
- Premere " K" (10), selezionare "Si".
- Mettere selettore nella posizione "rec". La scrittura "AUTO" si appare nell'angolo destro superiore di display.
- Premere " K" (10) lo strumento entra nel modo d'attesa dell'oggetto in movimento. Rilevato tale oggetto si inizia la registrazione (nell'angolo sinistro superiore si appare icona rec).

Nota: Al diminuire del livello di luminosità, diminuisce anche la distanza alla quale può essere avvistato un oggetto in movimento.

- Sparito l'oggetto dal campo visivo, si conituna la registrazione entro 10 secondi, poi si ferma automaticamente (icona rec sparisce), lo strumento ritorna nel modo d'attesa.
- Per cambiare menu mettere selettore (13) nella posizione "play" e premere "mode" (15).

Nota: per ottenere risultati migliori, si consiglia di installare lo strumento su un treppiede.

2

TRAITS DISTINCTIFS

- Fonctions de l'enregistrement et de la prise de photos (Recon 325R)
- Fonction du cumul de lumière Sum Light™ (Recon X325)
- Spectre CCD hautement sensible
- Haute ouverture de la lentille
- Haute résolution
- Grande distance d'observation
- Nouvel oculaire améliorant la netteté/contraste de l'image
- Compact & léger
- Niveau d'étanchéité IPX4 (IPX6)
- Sortie Vidéo
- Entrée Vidéo (Recon 325/325R)
- Résistant aux expositions de lumière vive
- Fonction gain de contraste (Recon 325/325R)
- Choix par l'utilisateur de la couleur d'émission du LCD (Recon 325/325R)
- Rail Weaver MIL-STD-1913 supplémentaire en accessoire
- Une visière ergonomique rotative qui protégé de la lumière ambiante latérale.

Votre monoculaire vision nocturne digital **Recon 325R** convient parfaitement à une large gamme d'applications incluant:

- L'observation en extérieur
- La chasse & camping
- Les sports et l'observation en navigation nocturnes
- La pêche commerciale et en loisirs
- Les secours et les patrouilles de recherche
- La maintenance des équipements

3

INSTALLATION DES PILES

- Dévissez et enlever le couvercle du compartiment à piles.
- Installez quatre piles AA comme indiqué (voir illustration). Les piles rechargeables sont recommandées.
- Remplacez et revissez le couvercle du compartiment à piles.

Attention! Ne pas utiliser des différents types de piles ou des piles avec des niveaux de charge différents.

L'appareil peut fonctionner à l'aide d'une source extérieure stabilisée d'alimentation ou d'un réseau d'automobile. La plage de la tension d'entrée varie de 9V à 15V. Une source extérieure d'alimentation (AC/DC) doit être raccordée au port (19).

Pendant le fonctionnement à l'aide d'une source extérieure d'alimentation la charge des accumulateurs ne se produit pas!

Attention! Pour assurer le fonctionnement correct du viseur il faut utiliser uniquement les sources extérieures d'alimentation certifiées de bonne qualité.

UTILISATION

- Enlever le cache objectif de la lentille objective (1).
 - Activez l'appareil en appuyant sur le bouton «ON» (2) la LED verte (3) s'allumera. Si la pile est faible la couleur du témoin lumineux deviendra rouge.
 - Localisez un objet dans les 20 à 30 mètres.
 - Ajustez la luminosité de l'image en tournant la molette d'ajustement (4).
 - Faites une rotation de l'oculaire (5) et de la lentille objective (1) jusqu'à ce que vous obteniez une image nette.
 - Lorsque vous changez la distance d'observation, essayez de voir une image nette et de haute qualité en effectuant une rotation de la lentille objective (1) et de la molette d'ajustement de la luminosité (4). Ne faites pas de rotation de l'oculaire (5) - l'appareil a déjà été ajusté individuellement.
 - Dans de faibles conditions de luminosité ou dans l'obscurité complète, vous pouvez allumer la torche IR intégrée (6) en appuyant sur le bouton "IR" (7). L'IR augmente le champ d'observation et améliore la luminosité de l'image.
 - Pour transmettre l'image observée sur un moniteur LCD extérieur, branchez une fiche du câble de sortie vidéo (fourni) dans la prise vidéo (8) du Recon 325, et la deuxième fiche (AV OUT) - à un équipement périphérique. Si couplé avec un équipement vidéo, le monoculaire Recon 325 peut enregistrer l'image observée. Pour utiliser la fonction "l'entrée vidéo", branchez la fiche (AV IN) à un équipement périphérique (voir le schéma de branchement). L'entrée vidéo est conçue pour brancher équipement périphérique et transmettre le signal vidéo à l'écran du Recon 325.
 - A proximité du bouton "IR" se trouve un bouton "■" (9), qui vous aidera à choisir la couleur de l'écran (noir et blanc, vert, rouge) et à augmenter le contraste de l'image. Le bouton "■" (9) fonctionne comme suit :
 - **Premier toucher** - augmente le contraste de l'image en noir et blanc;
 - **Deuxième toucher** - change la couleur de l'écran du noir et blanc vers le vert;
 - **Troisième toucher** - change la couleur de l'écran du vert vers le rouge (la couleur rouge réduit la fatigue des yeux pendant l'observation);
 - **Quatrième toucher** - retour à l'image en noir et blanc.
- Dans le modèle Recon X325 le bouton "■" (9) désactive/active la fonction du cumul de lumière Sum Light™. La fonction est activée automatiquement après que l'appareil est allumée. Donc, si vous n'avez pas besoin de la fonction, veuillez le désactiver manuellement.

La fonction Sum Light™ basée sur l'accumulation de signaux à l'intérieur de la matrice CCD augmente la sensibilité de la matrice CCD plusieurs fois dans le cas d'un faible niveau d'éclairage, permettant de procéder à l'observation quasi dans l'obscurité totale. Cependant, veuillez noter que une plus haute sensibilité peut entraîner une augmentation du niveau de bruit dans l'image; en cas de mouvement rapide de l'appareil d'un côté à l'autre, l'image peut se brouiller pendant un moment. Aucun de ces effets est un défaut de l'appareil. Après la activation de la fonction, quelques points (pixels) phosphorescents sont visibles sur l'écran du appareil, qui est expliqué par les particularités d'opération de cette fonction. Ce n'est pas un défaut.

EXPLOITATION DE L'ENREGISTREUR

Mode "Enregistrement vidéo"

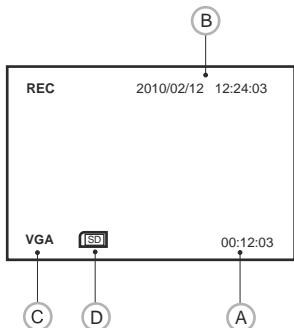
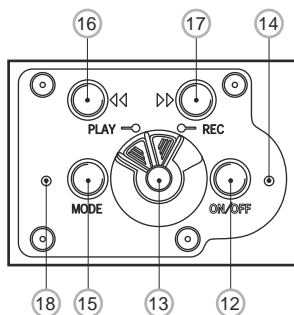
L'appareil Recon 325R est doté d'un enregistreur intégré permettant de faire l'enregistrement photo ou vidéo de l'image observée par l'oculaire.

Menu "Impostazioni" comprese i seguenti punti:

- **Pixels (Risoluzione).** Accessibili due risoluzioni del filmato video (fotografia) - **680x480 (VGA)** o **320x240 (QVGA)**.
- **Rilevamento movimento.** Data funzione accende automaticamente registrazione video appena localizzato l'oggetto mobile nel campo del mirino dello strumento. Veda dettagli nella sezione **FUNZIONE RILEVAMENTO MOVIMENTO**.
- **Data/Ora.** **Regolazione data ed ore correnti.** Con il pulsante "OK" (10) selezionare i parametri di data (anno/giorno/mese) o ore (ora/minuto/secondo). Sintonizzare il valore del parametro occorrente con pulsanti (16) (diminuzione del valore) o (17) (incremento del valore). **Stampare data** - per visualizzare l'informazioni di data e ore attuali nel filmato video (fotografia) selezionare "Display" - "Si".
- **Formattazione.** Per sezionare la scheda memoria miniSD selezionare "Si". **Attenzione!** Prima d'eseguire questo comando assicurarsi di aver memorizzato tutti i dati importanti sul portatore esterno. Il produttore non assume le responsabilita' per la perdita di dati dell'utente.
- **Foto/Video.** Scelta della modalità "Fotografia" o "Videoregistrazione".
- **Lingua.** Selezione del linguaggio d'interfaccia. **Dieci lingue disponibili:** Inglese, Cinese, Ceca, Tedesca, Spagnola, Francese, Italiana, Giapponese, Russa, Svedese.

Modo "Fotografia"

- Accendere lo strumento con pulsante "ON" (2). Regolare lo strumento secondo l'istruzioni nella sezione "Uso strumento".
- Mettere selettore (13) nella posizione "play".
- Mantenere il pulsante on/off (12) 4-5 s., per accendere recorder video. LED blu (14) si accende a destra dal pulsante (12).
- Premere il pulsante "mode" per entrare nel menu.
- Selezionare l'opzione del menu "Photo/Video", quindi selezionare "Photo".
- Mettere selettore (13) nella posizione "rec".
- Premere il pulsante "OK" (10), per fotografare al momento del foto l'immagine resta immobile per un secondo.
- Per spegnere recorder video mantenere on/off (12) 4-5 s. LED blu (14) si accende a destra dal pulsante (12).



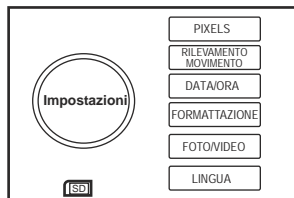
- Premere pulsante **“ON” (2)** per accendere lo strumento. Regolare lo strumento seguendo l'indicazioni nella sezione **“Uso strumento”**.
- Mettere selettore modale (13) nella posizione **“rec”**.
- Mantenere il pulsante **on/off (12)** premuto 4-5 s, per accendere recorder. Si accende LED (14) blu a destra dal pulsante (12).
- Sul display si visualizza il tempo di registrazione rimasto (A), le ore e la data corrente (B), risoluzione di filmato video (VGA o QVGA) (C), icona SD della scheda (D) (veda Figura).

- Per iniziare registrazione video premere il pulsante **“ K” (10)**. L'indicazione di registrazione **“REC”** appare nell'angolo superiore a sinistra.
- Per fermare la registrazione premere il pulsante **“ K” (10)**. Indicazione di registrazione **“REC”** sparisce.
- Per accendere recorder video mantenere premuto il pulsante **on/off (12)** 4-5 s. LED blu a destra dal pulsante (12) spegne.

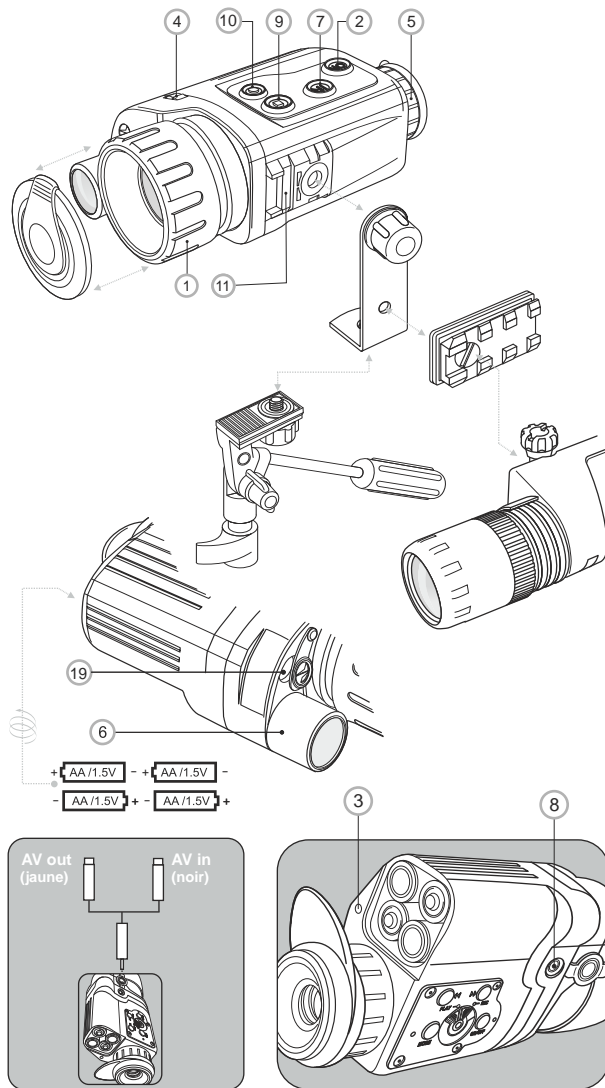
- Per accendere recorder video mantenere premuto il pulsante **on/off (12)** 4-5 s. LED blu a destra dal pulsante (12) spegne.

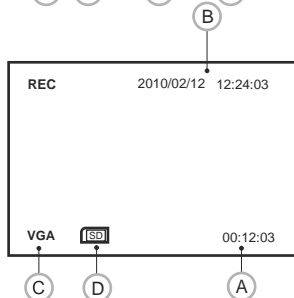
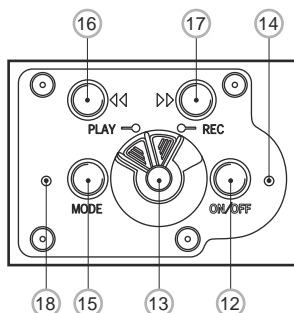
NB: Spenta l'unita' il video recorder si fermerà, tutti i dati non salvati si perderanno! Per salvare le impostazioni, spegnere il video recorder prima di spegnere l'unita'.

Menu “Regolazione”



Per spostarsi tra punti di menu **“Impostazioni”** usare pulsanti (16), (17), per selezionare il punto premere **“ K” (10)**. Per ritornare al punto precedente mantenere il pulsante **“mode” (15)** una seconda. Per uscire dal menu mantenere il pulsante **“mode” (15)** due secondi.



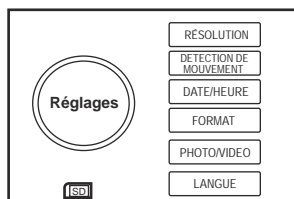


- Allumez l'appareil en appuyant la touche "ON" (2). Réglez l'appareil conformément aux recommandations du chapitre "Exploitation de l'appareil".
- Mettez le coupleur de modes (13) en position "rec".
- Retenez la touche on/off (12) pendant 4-5 sec, pour mettre en marche l'enregistreur. Vous verrez s'allumer l'indicateur bleu LED (14) à droite de la touche (12).
- L'écran affiche le temps d'enregistrement restant (A), la date et l'heure actuelles (), la résolution du spot (VGA ou QVGA) (), le pictogramme de la carte miniSD (D) (voir fig.).
- Pour commencer l'enregistrement, appuyez la touche " K" (10). Vous verrez l'indication de l'enregistrement "REC" dans le coin haut gauche.
- Pour arrêter l'enregistrement, appuyez la touche " K" (10). L'indication de l'enregistrement "REC" disparaîtra.

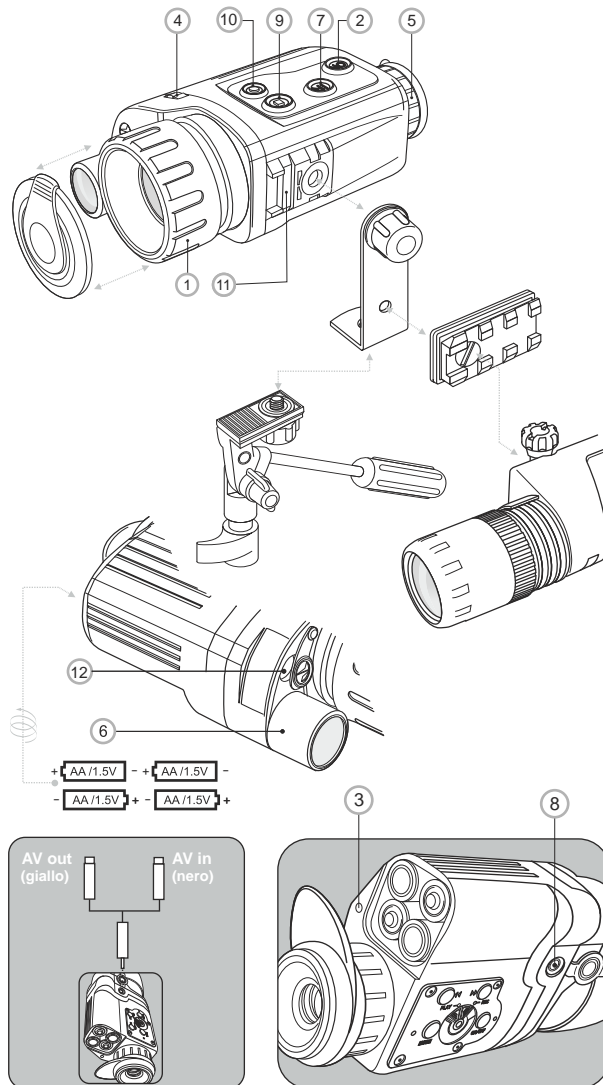
- Pour éteindre l'enregistreur, retenez la touche on/off (12) pendant 4-5 sec. L'indicateur bleu LED (14) à droite de la touche (12) s'éteindra. **Notez s'il vous plait que si vous éteignez l'unité, l'enregistreur sera arrêté. Toutes les données non sauvees seront perdues! Pour sauver les réglages, éteignez l'enregistreur avant de éteindre l'unité.**

Menu "Réglages"

- Allumez l'appareil, allumez l'enregistreur. Pour accéder au menu "Réglages", mettez le coupleur (13) en position "play". Ensuite retenez la touche "mode" (15) pendant 2 sec. L'écran affichera le menu.



- Pour naviguer dans les points du menu "Réglages", utilisez les touches (16), (17), pour sélectionner un point, appuyez "OK" (10). Pour revenir au point précédent, appuyez "mode" (15) pendant 1 sec. Pour quitter le menu, retenez la touche "mode" (15) pendant 2 sec.



- Rimuovere il copriobiettivo (1).
- Accendere l'apparecchio premendo il pulsante "ON" (2) - il LED di colore verde (3) si illuminerà. Se la carica della batteria è bassa il colore del led diventerà rosso.
- Individuare un oggetto tra i 20 e i 30 metri.
- Regolare la luminosità dell'immagine ruotando la ghiera di regolazione (4).
- Ruotare l'oculare (5) e l'obiettivo (1) fino ad ottenere un'immagine nitida.
- Al variare della distanza di osservazione, ruotare la lente dell'obiettivo (1) e la ghiera di regolazione della luminosità (4) per vedere un'immagine nitida e di alta qualità. Non ruotare l'oculare (5) - il visore è già stato regolato individualmente per l'utilizzatore.
- In condizioni di luce scarsa o in completa oscurità, si può attivare l'illuminatore IR incorporato (6) premendo il pulsante "IR" (7). L'illuminatore IR aumenta il raggio di azione e migliora la luminosità delle immagini.

Per trasmettere l'immagine osservata ad un monitor LCD esterno inserire una spina del cavo di uscita video nel connettore di uscita video (8) del Recon, la seconda spina - nel dispositivo periferico. Se abbinato con l'attrezzatura video necessaria, il Recon può registrare l'immagine osservata. Per utilizzare la funzione "Ingresso Video" inserire la spina (AV IN) nel dispositivo periferico. "Ingresso Video" è stato progettato per connettere dispositivi periferici e trasmettere il segnale video ad display del Recon 325R.

Accanto al pulsante "IR" vi è un altro pulsante "■" (9), che permette di scegliere il colore del display (bianco/nero, verde, rosso) e di aumentare il contrasto dell'immagine. Il pulsante "■" (9) funziona in questo modo:

- **primo impulso** - aumento del contrasto dell'immagine in bianco e nero;
- **secondo impulso** - cambio del display da bianco/nero a verde;
- **terzo impulso** - cambio del display da verde a rosso (Il colore rosso riduce l'affaticamento degli occhi durante l'osservazione);
- **quarto impulso** - ritorno all'immagine in bianco e nero.

Il pulsante "■" (9) nel modello Recon X325 disattiva e attiva la funzione accumulazione di luce Sum Light™. Questa funzione viene attivata automaticamente all'accensione dell'apparecchio. Se tale opzione non è necessaria, disattivarla premendo il pulsante "■" (9).

La funzione Sum Light™ e le sue peculiarità

La funzione Sum Light™, che si basa sull'accumulo di segnali all'interno del sensore CCD, aumenta di diverse volte la sensibilità del sensore CCD nel caso di bassi livelli di illuminazione, consentendo l'osservazione anche in quasi completa oscurità. Tuttavia, tenere presente che la sensibilità maggiorata potrebbe aumentare il livello di rumore dell'immagine (ossia ridurre la nitidezza dell'immagine); nel caso di rapidi movimenti del monocolo da una parte all'altra, l'immagine potrebbe risultare meno nitida per un'istante. Nessuno di tali effetti è un difetto del prodotto. Con l'attivazione della funzione, sullo schermo dell'apparecchio potrebbe apparire alcuni puntini (pixel) chiari. In virtù delle caratteristiche operative di tale funzione. Anche questo non è da considerare come difetto.

USO DI VIDEO RECORDER

Modo "Videoregistrazione"

Strumento Recon 325R e' attrezzato di recorder video incorporato che permette di effettuare video- o foto registrazione dell'immagine osservata attraverso l'oculare.

Le menu "Réglages" comprend les points suivants:

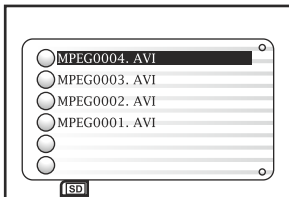
- **Résolution.**
Il y a deux résolutions du spot (photo) - **680x480** (VGA) ou **320x240** (QVGA).
- **Détection du mouvement.**
Cette fonction allume automatiquement l'enregistrement en cas de détection d'un objet ambulant dans le champ de vision de l'appareil. Pour plus d'information, consultez le chapitre **FONCTION DE LA DETECTION DU MOUVEMENT**
- **Date/heure.**
Réglage de la date et heure. Sélectionnez à l'aide la touche "OK" (10) le paramètre de la date (année/jour/mois) ou de l'heure (heure/minute/seconde). Réglez les valeurs appropriées à l'aide des touches (16) (diminution du paramètre) et (17) (augmentation du paramètre).
Impression de la date - pour affichez les informations date et heure dans le spot (photo), sélectionnez "Ecran" - "Oui".
- **Format.**
Pour formater la carte mémoire, sélectionnez "Oui".
Attention! Avant de commencer à formater, sauvegardez toutes les données importantes sur un autre support. Le fabricant ne tient pas la responsabilité pour la perte de données de l'utilisateur.
- **Photo/Video.**
Le choix entre l'enregistrement vidéo ou le prise de photos.
- **Langue.**
Sélection de la langue interface.
Dix langues possibles:
anglais, chinois, tchèque, allemand, espagnol, français, italien, japonais, russe, suédois.

Mode "Prise de photos"

- Allumez l'appareil en appuyant la touche "ON" (2). Réglez l'appareil conformément aux recommandations du chapitre "Exploitation de l'appareil".
- Mettez le coupleur (13) en position "play".
- Retenez la touche **on/off** (12) pendant 4-5 sec, pour allumer l'enregistreur. L'indicateur bleu LED (14) s'allumera à droite de la touche (12).
- Retenez la touche "**mode**" (15) pour entrer dans le menu principal.
- Sélectionnez le point "**Photo/Video**" - "**Photo**".
- Mettez le coupleur (13) en position "**rec**".
- Retenez la touche "**OK**" (10) pour faire une photo au moment de la prise de photo l'image s'arrêtera pour une seconde.
- Pour éteindre l'enregistreur, retenez la touche **on/off** (12) pendant 4-5 sec. L'indicateur bleu LED (14) s'éteindra à droite de la touche (12).

Mode "Lecture"

- Allumez l'appareil en appuyant la touche "ON" (2).
- Retenez la touche **on/off** (12) pendant 4-5 sec, pour allumer l'enregistreur. L'indicateur bleu LED (14) s'allumera à droite de la touche (12).
- Pour passer au mode "Lecture", mettez le coupleur (13) en position "Play". L'écran affichera la liste des spots enregistrés (format .avi) et des photos prises (format .jpg).



- A l'aide des touches (16) et (17) sélectionnez le spot désiré. Pour commencer la lecture, appuyez la touche "OK" (10). La touche "OK" (10) sert aussi à mettre une pause. Pour rembobiner en avant ou en arrière, utilisez respectivement les touches (16) et (17). Pour augmenter (baisser) la vitesse du

rembobinage, appuyez la touche appropriée.

- Pour commencer à voir des images dans le mode "Diaporama", appuyez la touche "OK" (10). Pour quitter le mode, appuyez la touche "Mode" (15).
- Pour quitter le mode "Lecture", appuyez la touche "mode" (15).
- Pour revenir au menu, mettez le coupleur (13) en position "play" et appuyez la touche "mode" (15).
- Pour effacer des vidéos/photos appuyez sur la touche (10) pendant 1-2 secondes, le menu pour effacer apparaîtra. Appuyez sur les touches (16) et (17) pour sélectionner le fichier concerné et appuyez ensuite sur (10) pour effacer le fichier.

FONCTION DETECTION DU MOUVEMENT

- Allumez l'appareil et l'enregistreur, sélectionnez dans le menu le point "Détection du mouvement".
- Appuyez "K" (10), sélectionnez le point "Oui".
- Mettez le coupleur en position "rec". Dans le coin haut droit vous verrez s'afficher "AUTO".
- Appuyez la touche "K" (10) l'appareil passera en mode d'attente d'un objet ambulant. Si un tel objet apparaît dans le champ de vision de l'appareil, l'enregistrement commencera (le pictogramme rec apparaîtra dans le coin haut gauche).
Remarque: Si le niveau d'illumination diminue, la distance à laquelle un objet bougeant peut être découvert, descend.
- Après la disparition de l'objet du champ de vision de l'appareil, l'enregistrement continuera pendant 10 sec et s'arrêtera automatiquement (le pictogramme rec disparaîtra), l'appareil reviendra en mode veille.
- Pour revenir au menu, mettez le coupleur (13) en position "play" et appuyez la touche "mode" (15).

Remarque: pour de meilleurs résultats, il est recommandé d'installer l'unité sur un trépied.

2

DESCRIZIONE

- Funzione videoregistrazione e fotografia (Recon 325R)
- Funzione accumulazione di luce Sum Light™ (Recon X325)
- Sensore CCD
- Lente con apertura elevata
- Risoluzione elevata
- Grande raggio di azione
- Nuovo oculare per una migliore nitidezza e contrasto dell'immagine
- Compatto e leggero
- Grado di resistenza all'acqua pari a IPX4 (IPX6)
- Uscita Video
- Ingresso Video (Recon 325/325R)
- Resistente all'esposizione di luce (Recon 325/325R)
- Funzione di correzione del contrasto (Recon 325/325R)
- Slitta Weaver MIL-STD-1913 addizionale per accessori
- Un copriluce ergonomico regolabile sull'oculare per proteggere dalla luce ambiente laterale

Il monocolo digitale per la visione notturna **Recon 325** è perfetto per una vasta gamma di usi, tra cui:

- Osservazione naturalistica
- Caccia & campeggio
- Osservazione di sport e navigazione in notturna
- Navigazione e pesca notturna sia professionale che amatoriale
- Ricerca e soccorso
- Manutenzione di impianti

3

INSERIMENTO DELLE BATTERIE

- Svitare e rimuovere il coperchio del vano batterie.
- Inserire 4 batterie stilo (AA) come indicato (vedi figura). Si raccomanda l'uso di batterie ricaricabili.
- Riposizionare il coperchietto del vano batterie e bloccarlo.

Attenzione! Non usare batterie di diverso tipo o con livelli di carica diversi.

Il Recon X325 può essere alimentato con una sorgente elettrica esterna DC, con voltaggio stabilizzato tra 9V e 15V o 12V da autoveicolo.

L'alimentatore esterno (AC/DC) deve essere collegato alla presa (12).

L'alimentazione esterna NON RICARICA le batterie presenti nel cannocchiale!

Attenzione! Per un uso corretto e sicuro utilizzare solo alimentatori di qualità e certificati.

SPECIFICHE MODELLO	78022 RECON 325	78032 RECON 325R	78027 RECON X325
--------------------	--------------------	---------------------	---------------------

Caratteristiche della parte ottica

Ingrandimenti, x	2	2	2,7
Obiettivo	24 mm, F/ 0,92	24 mm, F/ 0,92	24 mm, F/ 0,92
Max. raggio di azione, m*	150	150	350
Campo visivo, gradi/m a 100m	12 / 21	12 / 21	12 / 21
Regolazione diottrica dell'oculare, D	±5	±5	±5
Risoluzione, linee/mm	37	37	≥50

Caratteristiche operative

Voltaggio operativo, V	6 (4xAA)	6 (4xAA)	6 (4xAA)
Alimentazione esterna/consumo energetico n/a	n/a	n/a	9-15V/3W
Durata di un set di batterie ricaricabili (con illuminatore IR acceso/spento), ore	12 / 9	12 / 9	5 / 4
Segnale standard output video	CCIR / EIA**	CCIR / EIA**	CCIR / EIA**
Risoluzione camera, pixel (CCIR / EIA)	500x582/510x492	752x582/768x494	
Tipo di CCD CCIR	Sony ICX-254AL, 1/3"	Sony ICX-659AL, 1/3"	
EIA	Sony ICX-255AL, 1/3"	Sony ICX-658AL, 1/3"	

illuminazione di funzionamento min/max (f1.2, S/N 20dB), lux	0,005 / 30000		0,0001 / 30000
Attacco per tripode, pollici	¼	¼	¼
Temperatura di funzionamento	-10 °C ~ +45 °C		-10 °C ~ +45 °C
Grado di protezione, valore IP (IEC 60529)	IPX6	IPX4	IPX6
Dimensioni, mm	162x83x55	162x83x52	169x83x55
Peso, kg	0,24	0,27	0,27

Caratteristiche di recorder video

Sistema TV	--	PAL/NTSC	--
Formato video/foto	--	AVI/JPG	--
Risoluzione filmato video/foto, pixel	--	640x480/320x240	--
Frequenza di quadro	--	30 quadri/s	--
Risoluzione orizzontale	--	420 linee TV	--
Tipo scheda di memoria (capacità massima)	--	SD (4Gb)	--

I modelli 78022K, 78032K, 78027K includono la torcia illuminatore IR Pulsar-940.

* Distanza massima di localizzazione di un oggetto di 1,7x0,5 m, all'illuminazione notturna 0,05 lux (luna quarto).

** A seconda della regione di vendita.

CONTENUTO DELLA CONFEZIONE

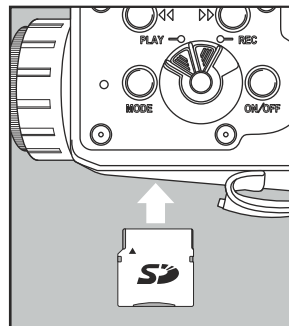
- Visore notturno digitale
- Custodia per trasporto
- Cinturino da polso
- Cavo video
- Scheda memoria SD*
- Adattatore per treppiede
- Panno per pulizia lente
- Manuale d'uso
- Garanzia



* Fornito con il Recon 325R.

Caratteristiche e specifiche sono soggette a migliorie e cambiamenti.

- L'enregistrement des spots et la prise de photos ne se font que sur la carte mémoire SD, car la mémoire intégrée est absente dans l'appareil. La capacité maximale de la carte mémoire pour le fonctionnement de l'appareil 4Go.



- Avant d'utiliser la carte mémoire, il est recommandé de la formater (voir point "Format" du chapitre "Réglages")
- Installez la carte de façon indiquée à la figure. Rassurez-vous que la carte est insérée jusqu'au bout (vous devez entendre un clic).
- **Ne retirez pas la carte mémoire pendant l'enregistrement ou prise de photos!** Cela peut aboutir à l'endommagement de la carte ou perte de données.

Temps maximal de l'enregistrement en fonction de la capacité de la carte mémoire et résolution du spot:

Capacité de la carte mémoire	640x480 (VGA)	320x240 (QVGA)
512Mo	28 min.	102 min.
1Go	55 min.	200 min.
2Go	111 min.	400 min.
4Go	222 min.	800 min.

Après l'enregistrement, vous pouvez retirer la carte mémoire et visualiser, faire le traitement des données enregistrées sur un autre appareil (p.ex. ordinateur). Pour retirer la carte, ouvrez le bouchon du réservoir de la carte mémoire, appuyez sur la carte jusqu'au clic - le ressort poussera la carte dehors.

ACCESSOIRES

Le **Recon 325** est équipé avec un montage spécial (9) qui vous permet de fixer divers accessoires, tels que la torche **Pulsar-940** (l'éclairage est invisible à l'œil nu). La torche **Pulsar-940** peut être disponible en option avec le **Recon 325**. Le **Recon 325** a également une prise standard ¼" pour une installation sur trépied. L'adaptateur du tripod (dans le contenu de l'emballage) permet de fixer la torche **Pulsar-940** et installer le Recon sur trépied.

PARTICULARITÉS D'UTILISATION

Eteignez l'appareil lorsque vous ne l'utilisez pas et lorsque vous transportez l'appareil. L'appareil peut être utilisé en lumière de jour comme en conditions de nuit.

- Après avoir utiliser l'appareil dans des températures froides, veuillez, attendre 2-3 heures avant d'utiliser l'appareil dans des températures chaudes. Cela permet d'éviter la condensation sur les lentilles.
- Ne pas laisser l'appareil en lumière directe. Ne submergez pas dans l'eau
- Ne pas donner de choc ou d'impact à l'appareil digital NV. Ne pas faire tomber.
- Le sable, la poussière, et le sel peuvent endommager l'appareil.
- Ne pas connecter des accessoires non recommandés (écouteurs, par exemple) dans le port «Vidéo». Cela endommagerait l'appareil et annulerait toute garantie.
- Lorsque vous effectuez une mise au point sur l'écran (vous pouvez voir le noir net) un maximum de sept lumières ou de points sombres sur tout le champ de vision de l'image est acceptable.
- La conception de l'appareil n'est pas prévu pour un ajustement de la torche IR.

ENTRETIEN

- Le corps de l'appareil peut être nettoyé avec un tissu doux. Ne pas utiliser un tissu abrasif/ou des solutions de nettoyage chimiques.
- Toujours utiliser les équipements de nettoyage conçus pour les équipements photo. La poussière peut se retirer de la lentille avec une brosse douce. La lentille se nettoie avec des tissus pour des équipements optiques. Ne jamais verser de produits de nettoyage pour lentille sur la lentille!
- De la condensation peut apparaître sur la lentille. Cela est normal: la condensation devrait disparaître sous une heure.

STOCKAGE

- Retirer les piles de l'appareil, si l'appareil n'est pas utilisé pendant un long terme de temps.
- Toujours stocker le **Recon 325** dans son étui.
- Conservez l'appareil dans son étui, loin des appareils de chauffage et des canaux de ventilation, à la température de +10 °C au minimum et l'humidité maximum de 70%.

REVELACION DE FALLOS

En la tabla está expuesta una lista de los posibles problemas que pueden surgir durante el proceso de explotación del instrumento. Si en la lista indicada no estuviera contemplado un problema o la acción indicada de eliminación del defecto no da resultado, comuníquelo al fabricante.

Problema	Revisión	orrección
El instrumento no se enciende.	Visual. Revise la correcta instalación, los elementos de alimentación en el contenedor en la sección de las baterías. Asegúrese de la capacidad de funcionamiento de las baterías.	Apague y después encienda el instrumento. Reemplace los elementos de alimentación o instáloslos correctamente.
La imagen es de mala calidad.	Revise, está o no ajustado el ocular y el objetivo en conformidad con Las Instrucciones de Explotación. Segúrese que las lentes no están empañadas y no están sucias. El regulador de sensibilidad (4) está en la posición extrema.	Enfoque el aparato de nuevo según las instrucciones. Limpie las lentes con una servilleta mojada en espíritu. Ajuste la vivacidad con el regulador.
En la pantalla del dispositivo se ven varios puntos luminosos o negros (píxeles).	La presencia de tales puntos está relacionada con la tecnología de la fabricación de la matriz y no es un defecto*.	Esto no es un defecto.
Videorecorder no reacciona si pulsar botones.	Es posible que el aparato "está bloqueado".	Pulse el botón Reset (quitar) (18) para volver a cargar el videorecorder. ¡Atención! En este caso todos los ajustes vuelven a los de la fábrica.
Videorecorder no realiza la grabación.	La tarjeta de memoria no está instalada. La tarjeta de memoria está llena.	Compruebe si la tarjeta de memoria está insertada y está encaja en su sitio. Instale una tarjeta nueva o borre datos grabados.

* Particularidades de matrices CCD

Los matrices CCD de Sony empleadas en los dispositivos digitales de visión nocturna Pulsar, se distinguen por la alta calidad. Sin embargo se acepta la presencia de ciertos puntos defectuosos blancos y negros y los puntos de amplitud variables. Estos defectos pueden ser fácilmente descubiertos con la observación tanto en el día como en la noche. La presencia de puntos blancos y negros, puntos y otros defectos menores de matrices CCD (hasta el 4%) es aceptable de acuerdo con el reglamento de la empresa SONY.

La aparición en la pantalla de un defecto blanco (ver la figura) depende del tipo de matriz CCD, tipo de cámara, aumento de temperaturas después de que la unidad se enciende.

ACCESORIOS

El dispositivo está equipado con un encofrado especial (9) para montar accesorios como el Iluminador Infrarrojo **Pulsar-940** (iluminación invisible para el ojo humano) que puede ser vendido junto con el dispositivo **Recon 325**. El dispositivo dispone también de una rosca de sujeción de ¼ de pulgada para montarlo sobre un trípode. En el contenido del embalaje hay un adaptador de trípode que permite acoplar el Iluminador IR **Pulsar-940** y montar el **Recon 325** sobre un trípode.

PARTICULARIDADES DE EXPLOTACIÓN

Ud. puede sin peligro explotar el instrumento también en condiciones de iluminación natural diurna, tal modo de funcionamiento no provoca ningún daño al artículo.

- La condensación de las lentes puede ocurrir cuando se trae el conversor desde un ambiente frío. Esto es normal; la condensación desaparecerá en una hora.
- No sumergir el instrumento en algún líquido; no lo deje bajo los rayos solares.
- Evite los golpes fuertes, la influencias del calor u otras influencias que dañan instrumento.
- No conecte a la salida de video mecanismos extraños (por ejemplo, auriculares). Esto puede estropear el aparato.
- Cuando Ud. enfoca a la pantalla (se puede ver la red negra) en el plano de imagen se permiten 7 puntos oscuros o claros sobre todo el campo de visión.
- El iluminador infrarrojo principal no está destinado para enfocar.

MANTENIMIENTO

El casco del dispositivo puede ser limpiado con un paño suave. No use un paño con productos químicos o abrasivos.

Use siempre productos de limpieza diseñados para equipos fotográficos. El polvo puede ser eliminado de la lente con un pincel suave. Las lentes pueden ser limpiadas con cualquier paño diseñado para la limpieza de equipos ópticos.

¡No derrame líquido limpiador de lentes sobre las mismas!

CONSERVACIÓN

Antes de colocarlo en conservación extraiga las pilas de alimentación y seque el instrumento.

Conserve el instrumento en el estuche, lejos de los utensilios de calefacción y de los pozos de ventilación a una temperatura no menor de +10 °C y una humedad no más de 70%.

DETECTION DES DERANGEMENTS

Le tableau présente la liste des dérangements éventuels pouvant apparaître au cours de l'utilisation de l'appareil. Si dans cette liste le problème n'est pas indiqué ou l'action indiquée sur la réparation un dérangement ne donne aucun résultat, informez le fabricant.

Problème	Test d'inspection	Action corrective
L'appareil ne se met en marche.	Visuelle. Vérifiez la mise des piles dans le container et le container dans le compartiment de batteries. Assurez-vous de la capacité des piles.	Remplacez les éléments d'alimentation ou vérifiez leur polarité.
Une mauvaise qualité de l'image.	Vérifiez l'ajustage de l'oculaire et de l'objectif conformément à la NOTICE D'UTILISATION	Suivre les instructions pour ajuster l'appareil.
	Assurez-vous que les lentilles ne sont pas embuées ou encrassées. La molette d'ajustement (4) est dans sa position extrême.	Nettoyez les lentilles avec la serviette imbibée d'alcool. Ajuster la luminosité avec la molette d'ajustement (4).
Il y a plusieurs lumières ou point noirs (pixels) sur l'écran de l'appareil.	Présence de points est causée par la technologie de la production de la matrice et n'est pas détectée tant que la quantité n'excède pas 7.	Pas d'action nécessaire.
L'enregistreur ne réagit pas aux appuis sur les touches.	Bogue possible de l'appareil.	Appuyez la touche Reset (18) (remise à zéro) redémarrer l'enregistreur. Attention! Tous les réglages se remettront dans ce cas à ceux par défaut.
L'appareil n'enregistre pas.	Carte mémoire absente.	Vérifiez la présence et la justesse de l'installation de la carte mémoire.
	Carte mémoire est pleine.	Insérez une nouvelle carte mémoire ou effacez les données sur la carte courante.

* Particularités du spectre CCD

Les spectres Sony CCD utilisés dans les équipements vision nocturne Pulsar, sont de haute qualité. Toutefois, certains points de défaut blancs et noirs et des taches d'amplitude variables sont tolérés. Ces défauts peuvent être facilement détectés lors d'observations de jour comme de nuit. La présence de points blancs et noirs, de taches et d'autres défauts mineurs du spectre CCD (jusqu'à 4%) sont tolérés en accord avec la réglementation de la société SONY. La visibilité sur l'écran d'un défaut blanc (voir photo) à niveau de défaut égal dépend du type de spectre CCD, du type de caméra, de l'augmentation de la température après que l'appareil soit allumé.

TECHNISCHE DATEN MODELL

78022 RECON 325	78032 RECON 325R	78027 RECON X325
--------------------	---------------------	---------------------

Optische Kenndaten:

Vergrößerung, -fach	2	2	2,7
Objektiv	24 mm, F/ 0,92	24 mm, F/ 0,92	24 mm, F/ 0,92
Max. Detektionsdistanz, m*	150	150	350
Sichtfeldwinkel, Winkelgrad / auf 100 m.	12 / 21	12 / 21	12 / 21
Dioptrienausgleich, Dioptrien	±5	±5	±5
Bildauflösung, Linien /mm	37	37	≥50

Betriebsparameter:

Betriebsspannung	6 (4xAA)	6 (4xAA)	6 (4xAA)
Externe Speisung/Leistungsbedarf	n/a	n/a	9-15V/3W
Betriebsdauer von einem Akku-Set (integrierter IR EIN/AUS)	12 / 9	12 / 9	5 / 4
Signalformat	CCIR / EIA**	CCIR / EIA**	CCIR / EIA**

Auflösungsvermögen der Kamera,

Pixel (CCIR/EIA)	500x582/510x492		752x582/768x494
CCD-Matrixtyp CCIR	Sony ICX-254AL, 1/3"		Sony ICX-659AL, 1/3"
EIA	Sony ICX-255AL, 1/3"		Sony ICX-658AL, 1/3"

Min/max Betriebsbeleuchtung

(f1,2, S/N 20dB), Lux	0,005 / 30000		0,0001 / 30000
Stativgewinde, Zoll	¼	¼	¼
Betriebstemperatur	-10 °C ~ +45 °C		-10 °C ~ +45 °C

Grad der Dichtigkeit, IP Code

(laut IEC 60529)	IPX6	IPX4	IPX6
Abmessungen, mm	162x83x55	162x83x52	169x83x55
Gewicht (ohne Batterien), kg	0,24	0,27	0,27

Technische Daten des Videorecorders

TV- System	--	PAL/NTSC	--
Format Video/Foto	--	AVI/JPG	--
Auflösung Videoclip/Foto, Pixel	--	640x480/320x240	--
Bildfrequenz	--	30 Bilder/s	--
Auflösung horizontal	--	420 TV-Linien	--
Speicherkartentyp (max. Volumen)	--	SD (4Gb)	--

Modellen 78022K, 78032K, 78027K werden mit dem IR-Strahler Pulsar-940 geliefert.

* Max. Entdeckungsdistanz von einem Objekt mit Abmessungen 1,7x0,5 m bei der natürlichen Nachtbeleuchtungsstärke 0,05 lx (1/4 Mond).

** Verkaufsregion abhängig.

1

LIEFERUMFANG

- Digitales Nachtsichtgerät
- Tragetasche
- Trageschlaufe
- Videoaufzeichnungskabel
- Speicherkarte SD*
- Stativadapter
- Linienputztuch
- Betriebsanleitung
- Garantieschein



* Geliefert mit dem Recon 325R.

Änderungen des Designs aufgrund von verbesserten Gebrauchseigenschaften vorbehalten.

Atención: con el decrecimiento del nivel de iluminación, la distancia, a cual el objeto puede ser descubierto, se disminuye.

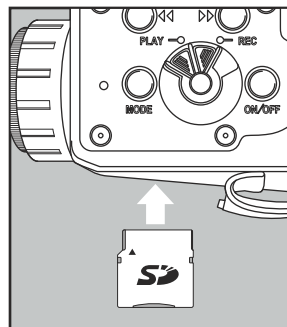
- Al desaparecer el objeto del campo visual, la cámara seguirá grabando durante 10 segundos, después dejará de grabar automáticamente (pictograma "rec" desaparecerá), el aparato vuelve a su estado de esperar.
- Para pasar al menú, deslice el interruptor (13) hacia la posición "play" y pulse "mode" (15).

Nota: para lograr mejores resultados, se recomienda instalar el dispositivo sobre un trípode.

6

LA TARJETA DE MEMORIA

- Es posible realizar la grabación de video clips y fotos sólo a la tarjeta de memoria SD, porque el aparato no tiene la memoria interna. El dispositivo puede funcionar con la tarjeta de memoria del volumen máximo de 4Gb.



- Antes de utilizar la tarjeta de memoria en el aparato se recomienda formatearla (vea el punto "Formato" del apartado del menú "Ajustes"). Instale la tarjeta según la figura.
- Asegúrese que la tarjeta esté encaja en su sitio (Ud. debe oír un chasquido).

¡No saque Ud. la tarjeta de memoria mientras haga la grabación o reproduzca! Esto puede causar daño a la tarjeta o es posible perder datos.

El tiempo máximo de la videograbación según el volumen de la tarjeta y de la resolución del video clip:

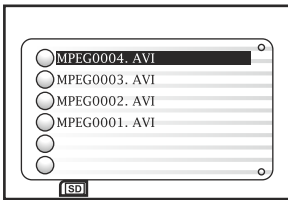
Volumen de la tarjeta de memoria	640x480 (VGA)	320x240 (QVGA)
512Mb	28 min	102 min
1Gb	55 min	200 min
2Gb	111 min	400 min
4Gb	222 min	800 min

Al hacer la grabación Ud. puede sacar la tarjeta de memoria y visualizar, tratar los datos grabados en el otro aparato (por ejemplo, en el ordenador). Para sacarla abra la puerta del compartimiento de la tarjeta de memoria, presione la tarjeta hasta que chasquee y el resorte la empuje fuera.

- Mantenga el botón **on/off (12)** durante 4-5 segundos, para encender el videorecorder. A la derecha del botón **(12)** se enciende el indicador azul LED **(14)**.
- Pulse el botón "mode" para entrar en el menú.
- Elija el punto del menú "**Photo/Video**" - "**Photo**".
- Deslice el interruptor **(13)** hacia la posición "**rec**".
- Mantenga el botón "**OK**" **(2)** para hacer fotografía en el momento de la toma de vistas la imagen se quedará inmóvil durante un segundo.
- Para apagar el videorecorder mantenga el botón **on/off (12)** presionado durante 4-5 segundos. A la derecha del botón **(12)** el indicador azul LED **(14)** se apagará.

Régimen "Reproducción"

- Enciende el aparato con el botón "**ON**" **(2)**.
- Mantenga el botón **on/off (12)** durante 4-5 segundos, para encender el videorecorder. A la derecha del botón **(12)** se enciende el indicador azul LED **(14)**.
- Para pasar al régimen "**Reproducción**" deslice el interruptor **(13)** en la posición "**play**".
- En la pantalla (display) se aparecerá la lista de videoclips grabados (formato.avi) y de fotografías (formato.jpg).



- Con la ayuda de botones **(16)** y **(17)** elija el clip necesario. Para empezar a reproducir pulse el botón "**OK**" **(10)**. También es posible utilizar el botón "**OK**" **(10)** para hacer pausa durante la reproducción. Para rebobinar atrás o adelante, utilice botones **(16)** y **(17)** respectivamente.

- Para aumentar (disminuir) la velocidad de rebobinar, pulse el botón correspondiente.
- Para salir del régimen "**Reproducción**" pulse el botón "**mode**" **(15)**.
- Para visualizar las imágenes en el régimen "**Presentación de dispositivos**", presione el botón "**OK**" **(10)**. Presione el botón "**Mode**" **(15)** para salir este régimen.
- **Borrar archivo de video/foto**
- Presione la tecla "**OK**" **(10)** durante 1-2 segundos y aparecerá el menú de borrar. Presione las teclas **(16)** y **(17)** para seleccionar el archivo necesario, presione "**OK**" **(10)** para borrar el archivo.

Régimen "Detección del movimiento"

- Enciende el aparato y el recorder, opte por el punto del menú "**Detección del movimiento**".
- Pulse " " **(10)**, elija el punto "**Si**".
- Deslice el interruptor **(13)** hacia la posición "**rec**". En el ángulo de la derecha de la pantalla (display) se aparecerá inscripción "**AUTO**".
- Pulse el botón " " **(10)** el aparato estará en el régimen de la espera del objeto que se mueva. Al aparecer tal objeto en el campo visual, el aparato empezará grabar (en el ángulo superior de la izquierda aparecerá el pictograma rec).

- Deckel des Batteriebehälters aufschrauben und abnehmen.
- Vier AA Batterien (oder aufladbare Batterien) in das Batteriefach einlegen. Bitte die Polarität auf der Innenseite des Batteriefachdeckels beachten. Um die Arbeitszeit des Gerätes zu verlängern empfehlen wir Ihnen Alkaline Batterien zu verwenden.
- Deckel des Batteriefachs zurücksetzen und einschrauben.

Achtung! Bitte Batterien verschiedener Typen oder mit ungleichem Ladezustand nicht verwenden.

Das **Recon X325** kann von einer externen stabilisierten Stromquelle als auch von einem Kraftfahrzeugsnetz gespeist werden. Das Intervall der Eingangsspannungen liegt zwischen 9V und 15V. Die externe Stromquelle (AC/DC) ist anzuschließen an die Anschlussstelle **(19)**.

Während der Versorgung von der externen Stromquelle erfolgt kein Aufladen der Akkus!

Achtung! Um einen korrekten Betrieb des Zielfernrohres abzusichern, dürfen nur hochwertige zertifizierte externe Stromversorgungsquellen genutzt werden.

- Funktion Videoaufzeichnung und Fotoaufzeichnung (Recon 325R)
- Funktion Lichtsammeln Sum Light™ (Recon X325)
- Empfindlicher CCD Chip
- Lichtstarkes Objektiv
- Hohe Auflösung
- Grosse Beobachtungsdistanz
- Neues Okular, das bessere Schärfe und Kontrast sichert
- Kompakt und leicht
- Grad der Dichtigkeit IPX4 (IPX6)
- Video Ausgang
- Video Eingang (Recon 325/325R)
- Widerstandsfähig gegen helles Licht
- Funktion der Kontrastverstärkung (Recon 325/325R)
- Farbwahl der Bildschirmbeleuchtung (Recon 325/325R)
- Zusätzlicher Anschluss für Zubehör ist vorhanden
- Eine ergonomische drehbare Augenmuschel, die gegen Fremdlicht schützt

Ihr Nachtsichtgerät **Recon** eignet sich perfekt für zahlreiche Einsätze, einschließlich:

- Nachtbeobachtung unter natürlichen Bedingungen
- Jagd und Tourismus
- Nächtliche Sportspiele und Orientierungsläufe
- Such- und Rettungstätigkeiten, Wach- und Sicherheitsdienst
- Monitoring von technologischen Ausrüstungen

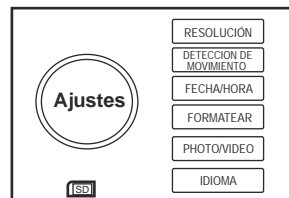
VERWENDUNG

- Nehmen Sie den Deckel des Objektivs (1) ab.
 - Um das Gerät einzuschalten, drücken Sie die Taste „ON“ (2) - die grüne LED Anzeige (3) leuchtet. Wenn die Batterie nur noch wenig Energie beinhaltet, dann leuchtet die Anzeige rot.
 - Das Gerät auf ein Objekt richten, das ca. 20-30 Meter entfernt ist.
 - Stellen Sie die Helligkeit des Bildes mittels des Regulators (4). Drehen Sie das Okular (5) und Objektiv (1) bis Sie ein scharfes Bild erhalten.
 - Bei Änderung der Beobachtungsentfernung erreichen Sie ein hochwertiges Bild allein durch drehen des Objektivs (1) und des Regulators. Drehen Sie das Okular (5) bitte nicht - Ihr Gerät wurde schon individuell eingestellt.
Bei niedriger Beleuchtungsstärke oder in voller Dunkelheit, können Sie den eingebauten Infrarotstrahler (6) mit der Taste „IR“ (7) einschalten. Der Infrarotstrahler erhöht wesentlich die Beobachtungsdistanz und verbessert den Abbildungscontrast.
 - Zur Übertragung der gewonnenen Abbildung auf einen externen Bildschirm oder ein Videoaufzeichnungsgerät schließen Sie den Stecker des Videoaufzeichnungskabels an den Videoausgang (8) an, der zweite Stecker (AV OUT) - an Peripheriegerät. Um die Funktion „Video Eingang“ zu benutzen, schließen Sie den Stecker (AV IN) an Peripheriegerät (siehe Anschlussschema). Die Video Eingang wird für Anschließen des Peripheriegeräts und Übertragung des Videosignals auf den Bildschirm des Recon 550 entworfen.
 - Neben der Taste „IR“ befindet sich die Taste „■“ (9), mit deren Hilfe können Sie die Farbe der Bildschirmbeleuchtung (schwarz und weiß, grün, rot) wählen und den Abbildungscontrast erhöhen.
 - Die Taste „■“ (9) arbeitet wie folgt:
 - **Erstes Drücken** - Kontrasterhöhung der schwarz-weißen Abbildung;
 - **Zweites Drücken** - Wechsel der Bildschirmfarbe von schwarz/weiß zu grün;
 - **Drittes Drücken** - Wechsel der Bildschirmfarbe von grün zu rot (rotes Licht reduziert Überanstrengung der Augen während der Beobachtung);
 - **Viertes Drücken** - zurück zur schwarz/weiß Abbildung. Die Taste „■“ (9) ins Recon X325 schaltet die Funktion Lichtsammeln Sum Light™ ab und ein. Diese Funktion wird automatisch aktiviert, nachdem das Gerät eingeschaltet wird. Ist es empfehlenswert, diese Funktion abzuschalten, wenn daran momentan kein Bedarf existiert.
- Die Funktion Sum Light™, basiert die auf dem Summierensprinzip des Signals innerhalb der CCD-Matrix ermöglicht es, im Falle der Senkung des Beleuchtungsniveaus die Empfindlichkeit der CCD-Matrix zu steigern. So wird die Beobachtung bei fast völliger Dunkelheit möglich. Es ist aber in Betracht zu nehmen, dass bei höherer Matrixempfindlichkeit das Niveau der Störungen auf dem Bild steigern kann. Beim heftigen Schieben des Gerätes kann das Bild „verzerrt“ werden. Es handelt sich aber dabei um keine Defekte des Gerätes. Nachdem die Funktion aktiviert wird, können leuchtende Punkte (Pixel) am Bildschirm auftreten. Es wird durch Besonderheiten der Arbeit dieser Funktion verursacht und es ist auch keine Mangel.

HANDHABUNG DES VIDEORECORDERS

Modus „Videoaufzeichnung“

Das Gerät **Recon 325R** ist mit einem integrierten Videorecorder ausgestattet, der Video- und Fotoaufzeichnungen von durch das Okular beobachteten Bilder ermöglicht.



Menú „Ajustes“ incluye los siguientes puntos:

- **Resolución.**
Son accesibles dos resoluciones del vídeo (foto) - **680x480 (VGA)** o **320x240 (QVGA)**.
- **Detección del movimiento.**
La función dada enciende automáticamente la grabación del vídeo en cuanto detecte el objeto que se mueve en el campo visual del dispositivo. La descripción más detallada está en el apartado **FUNCIÓN DE LA DETECCIÓN DEL MOVIMIENTO**.
- **Fecha/hora.**
Para ajustar la fecha y la hora corriente. Elija con el botón „OK“ (10) el parámetro de la fecha (año/día/mes) o la hora (hor /minuto/segundo). Ajuste el parámetro necesario con botones (16) (disminuir el parámetro) y (17) (aumentar el parámetro).
Grabación de la fecha para representar la información sobre la fecha y la hora corriente en el videoclip (foto) opte por „Display“ - „Si“.
- **Formatear.**
Para formatear la tarjeta de memoria opte por „Si“.
¡Atención! Antes de empezar a formatear asegúrese de que todos los datos importantes se hayan guardado en el portador imparcial. El fabricante no lleva la responsabilidad por la pérdida de los datos del usuario.
- **Photo/Video.**
Elija el régimen „Grabación de vídeo“ o „Toma de fotografías“.
- **Idioma.**
Seleccionar el idioma del interface.
Son accesibles diez idiomas:
El inglés, el chino, el checo, el alemán, el español, el francés, el italiano, el japonés, el ruso, el sueco.

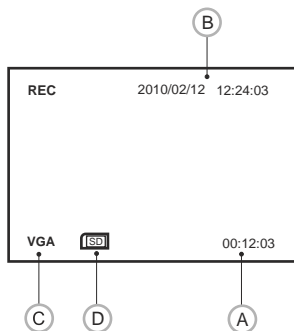
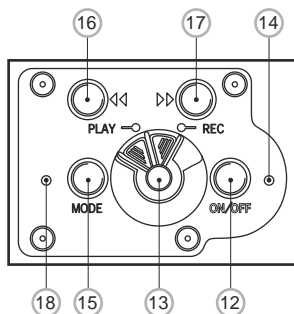
Régimen „Toma de fotografías“

Enciende el aparato con el botón „ON“ (2). Ajuste el aparato según las indicaciones del apartado „Utilización del aparato“.
Deslice el interruptor (13) hacia la posición „play“.

● EXPLOTACIÓN DEL VIDEORECORDER

Régimen “Grabación de vídeo”

Dispositivo **Recon 325R** está equipado con el videorecorder incorporado que permite hacer grabaciones de vídeo o de foto de la imagen que es posible observar a través del ocular.

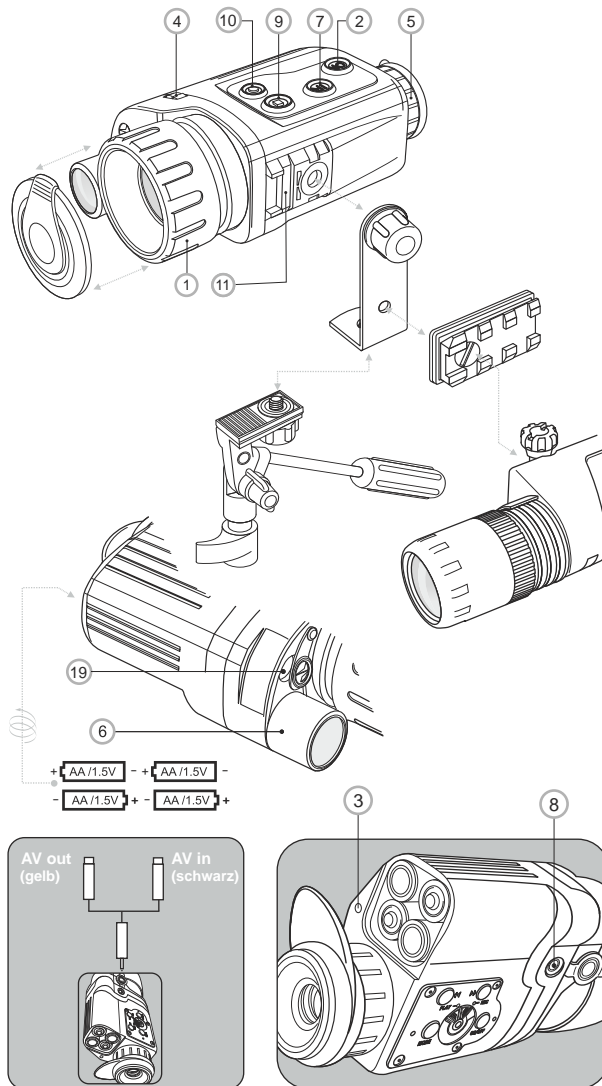


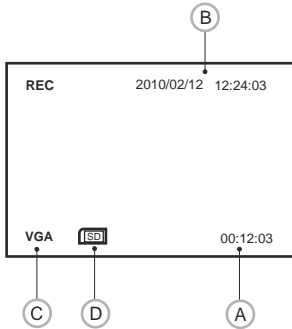
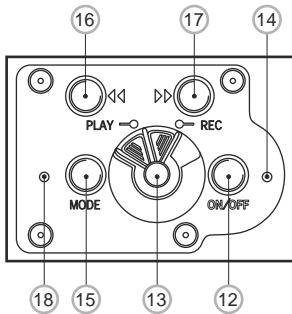
- Enciende el aparato con el botón “ON” (2). Ajuste el aparato según instrucciones del apartado “**Explotación del aparato**”.
- Deslice el interruptor de regímenes (13) a la posición “**rec**”.
- Mantenga presionado el botón **on/off** (12) durante 4-5 seg., para poner en marcha el recorder. A la derecha del botón (12) se enciende el indicador azul LED (14).
- En la pantalla (display) se aparece el tiempo resto de la grabación (A), la hora y la fecha corrientes (B), la resolución del videoclip (VGA o QVGA) (C), el pictograma de la tarjeta SD (D) (vea la figura).
- Antes de empezar a grabar el vídeo, pulse el botón “ ” (10). En el ángulo superior de la izquierda se aparece la indicación de la grabación “**REC**”.
- Para parar la grabación pulse el botón “ ” (10). La indicación de la grabación “**REC**” desaparecerá.
- Para apagar el videorecorder mantenga presionado botón **on/off** (12) durante 4-5 segundos. El indicador azul LED (14) a la derecha del botón (12) se apagará.

Atención! Note por favor que si **UD** apague el dispositivo, el videorecorder se para también. Todos datos que no han sido guardados serán perdidos. Para guardar sus ajustes, apague el videorecorder antes de apagar el dispositivo.

Menú “Ajustes”

- Enciende el aparato, después enciende el videorecorder. Para pasar al menú “**Ajustes**” deslice el interruptor (13) hacia la posición “**play**”. Después mantenga presionado el botón “**mode**” (15) durante dos segundos. En la pantalla (display) aparecerá el menú:





- Schalten Sie das Gerät mit Taste "ON" (2) ein. Stellen Sie das Gerät laut Hinweisen in Abschnitt "Handhabung des Geräts" ein.
- Bringen Sie Modus- Umschalter (13) in Stellung "rec".
- Halten Sie Taste **on/off** (12) innerhalb von 4-5 Sek., um den Recorder einzuschalten. Rechts vom Knopf leuchtet die blaue LED-Anzeige (14) auf.
- Am Display werden die verbliebene Aufzeichnungszeit (A), aktuelle Zeit und Datum (B), Auflösung des Videoclips (VGA oder QVGA) (C), Bildsymbol der miniSD- Karte (D) (s. Abb.) angezeigt.

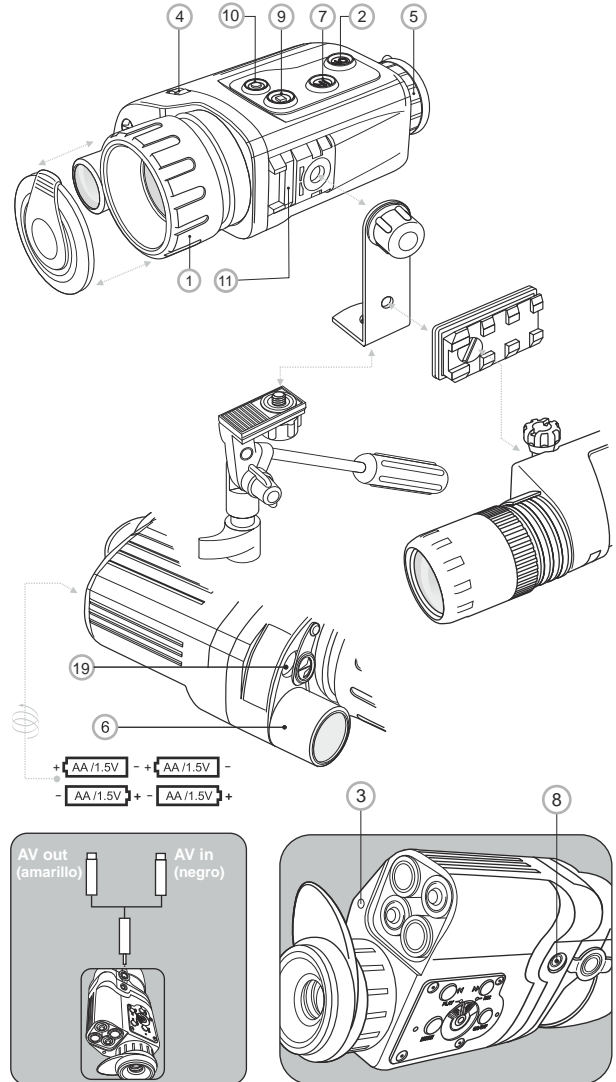
- Um mit der Videoaufnahme zu beginnen, drücken sie Taste "OK" (10). In der linken oberen Ecke erscheint die Anzeige der Aufnahme "REC".
- Für Anhalten der Aufnahme drücken Sie Taste "OK" (10). Die Anzeige der Aufnahme "REC" verschwindet.
- Um den Videorecorder auszus- chalten, halten sie Knopf **on/off** (12) innerhalb von 4-5 Sek. gedrückt, die blaue LED-Anzeige (14) rechts von Taste (12) erlischt.

Beachten Sie bitte, dass wenn das Gerät ausgeschaltet wird, stoppt sich auch der Videorecorder. Alle bewahrten Dateien werden verloren!

Um die Einstellungen des Videorecorders zu behalten, schalten Sie den Videorecorder zunächst aus.

Menü "Einstellungen"

- Schalten Sie das Gerät ein, schalten Sie anschließend den Videorecorder ein. Zum Übergang in das Menü "Einstellungen" bringen Sie Umschalter (13) in Stellung "play". Halten sie anschließend Taste "mode" (15) innerhalb von zwei Sekunden gerückt. Am Display erscheint das Menü:

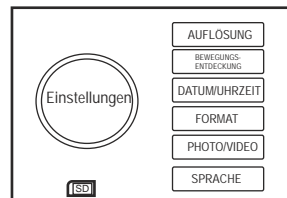


USO DEL INSTRUMENTO

- Quite la tapa del objetivo (1).
- Encienda el dispositivo pulsando el botón "ON" (2) - el indicador LED (3) de color verde se encenderá. Cuando las baterías descargadas, el indicador del LED cambia de color verde a rojo.
- Dirija el instrumento a un objeto que se encuentra a una distancia de 20 - 30 metros.
- Por medio de rotación del regulador (4) ajuste la vivacidad de la imagen. Por medio de la rotación del ocular (5) y del objetivo (1) logre que aparezca una imagen de calidad.
- Cuando varía la distancia de observación, trate de lograr una imagen de calidad solamente con ayuda de la rotación del objetivo (1), del regulador de vivacidad (4).
- No es necesario girar el ocular (5) - el instrumento ya está ajustado individualmente por Ud.
- En condiciones de iluminación insuficiente o en oscuridad Ud. puede activar el iluminador infrarrojo (IR) (6) pulsando el botón "IR" (7). El iluminador IR incrementa el rango de detección y mejora la vivacidad de la imagen.
- Para la transmisión de la imagen obtenida a la pantalla de un monitor externo y para la realización de la grabación de video, conecte una clavija del cable de video (se suministra con el dispositivo) a la salida de video (8), la segunda clavija - a un aparato periférico. Para usar la función de "Entrada de video", conecte la clavija (AV IN) a un aparato periférico (mira el diagrama de la conexión). La entrada de video es destinada para conectar un aparato periférico y transmitir la señal de video a la pantalla del Recon 325.
- Junto al botón "IR" se encuentra el botón "■" (9), que permite elegir el color de la pantalla (blanco y negro, verde, rojo) y aumentar el contraste de la imagen. El botón "■" (9) funciona del modo siguiente:
 - **primera presión** - aumento del contraste de la imagen blanco y negro;
 - **segunda presión** - selección del color de la pantalla LCD de blanco y negro a verde;
 - **tercera presión** - selección del color de la pantalla LCD de verde a rojo (la luz roja reduce la tensión sobre la vista durante la observación);
 - **cuarto presión** - retorno a la imagen blanco y negro.
 El botón "■" (9) en el Recon X325 desactiva/activa la función de acumulación de la luz Sum Light™. Al encender el dispositivo, la función ya está activada automáticamente. Si esta opción no es necesaria, desactívela presionando el botón "■" (9).

La función Sum Light™ y sus particularidades

La función Sum Light™, basada en la acumulación de señales dentro del sensor CCD, aumenta notablemente el nivel de sensibilidad del sensor CCD en caso de niveles de iluminación muy bajos permitiendo la observación casi en la oscuridad completa. Sin embargo hay que tener en cuenta que una sensibilidad aumentada puede producir un nivel alto de ruido de la imagen (esto reduce la resolución de la imagen). En caso de un movimiento rápido del dispositivo de un lado al otro, la imagen puede perder nitidez por unos instantes. En ningún caso estos efectos son considerados defectos del aparato. Al activar la Función, en la pantalla del dispositivo pueden aparecer unos puntos luminosos (píxeles). Esto es explicado por particularidades de operación que de esta función. Este no es un defecto tampoco.



- Für Bewegungen zwischen den Menüpunkten "Einstellungen" nutzen Sie Tasten (16), (17), für die Auswahl eines Punktes drücken Sie "OK" (10) innerhalb von eine Sekunde. Zur Rückkehr in den vorherigen Punkt drücken Sie "mode" (15). Für Ausgang aus Menü halten Sie Taste "mode" (15) innerhalb von zwei Sekunden gerückt.

Das Menü "Einstellungen" umfasst folgende Punkte:

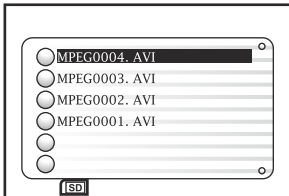
- **Auflösung**
Möglich sind zwei Auflösungen des Videoclips (Fotos) - **680x480** (VGA) oder **320x240** (QVGA).
- **Bewegungsentdeckung**
Diese Funktion schaltet bei Feststellung eines sich bewegenden Objektes im Blickfeld des Gerätes automatisch die Videoaufzeichnung ein. Ausführlicher s. im Abschnitt "Bewegungsentdeckung".
- **Datum/Zeit**
Einstellung des Datums und der aktuellen Zeit. Wählen Sie mit Taste "OK" (10) die Parameter des Datums (Jahr/Tag/Monat) oder der Zeit (Stunde, Minute, Sekunde). Stellen Sie den Wert des nötigen Parameters mit Tasten (16) (Abnahme des Parameters) und (17) (Zunahme des Parameters).
- **Ausdrucken des Datums** - für die Abbildung der Informationen über Datum und aktuelle Zeit im Videoclip (Foto) wählen Sie "Display" - "Ja".
- **Photo/Video**
Auswahl des Modus - **Fotoaufnahme** oder Videoaufzeichnung.
- **Format**
Für die Formatierung der Speicherkarte wählen Sie "Ja".
Achtung! Vergewissern Sie sich vor Beginn der Formatierung davon, dass alle wichtigen Daten auf einem externen Datenträger gespeichert wurden. Der Hersteller haftet nicht für Verlust von Daten des Nutzers.
- **Sprache**
Sprachwahl der Schnittstelle.
Möglich sind zehn Sprachen:
Englisch, Chinesisch, Tschechisch, Deutsch, Spanisch, Französisch, Italienisch, Japanisch, Russisch, Schwedisch.

Modus "Fotoaufnahme"

- Schalten Sie das Gerät mit Taste "ON" (2) ein. Stellen Sie das Gerät laut Hinweisen in Abschnitt "Handhabung des Geräts" ein.
- Bringen Sie Umschalter (13) in Stellung "play".
- Halten Sie Taste **on/off** (12) innerhalb von 4-5 Sek., um den Videorecorder einzuschalten. Rechts vom Taste (12) leuchtet die blaue LED-Anzeige (14) auf.
- Halten Sie Taste "mode" (10) um das Menü einzutreten.
- Wählen Sie "Photo/Video", dann "Photo".
- Bringen Sie Umschalter (13) in Stellung "rec".
- Drücken Sie Taste "OK" (10), um eine Fotoaufnahme zu machen - zum Aufnahmezeitpunkt hält die Darstellung für eine Sekunde still.
- Um den Videorecorder auszuschalten, halten sie Taste **on/off** (12) innerhalb von 4-5 Sek. gedrückt, die blaue LED-Anzeige (14) rechts von Knopf (12) erlischt.

Modus "Wiedergabe"

- Schalten Sie das Gerät mit Taste "ON" (2) ein.
- Halten Sie Taste **on/off** (12) innerhalb von 4-5 Sek., um den Videorecorder einzuschalten. Rechts vom Knopf leuchtet die blaue LED-Anzeige (14) auf.
- Zum Übergang in den Modus "Wiedergabe" schalten sie Umschalter (13) in die Stellung "Play" um.
- Am Display erscheint die Liste der aufgezeichneten Videoclips (Format .avi) und Fotoaufnahmen (Format .jpg).



- Mittels Tasten (16) und (17) wählen Sie den benötigten Clip aus. Zum Beginn der Wiedergabe drücken Sie Taste "OK" (10). Taste "OK" (10) wird ebenfalls genutzt, um bei der Wiedergabe eine Pause einzulegen. Zum Rück-/Vorspielen nutzen Sie entsprechend Tasten (16) und (17).

- Für die Steigerung (Verminderung) der Umspulgeschwindigkeit drücken sie die entsprechende Taste. Für Austritt aus dem Modus "Wiedergabe" drücken Sie Taste "mode" (15).

- Um sich die Bilder im Modus "Diaschau" anzuschauen, drücken Sie die Taste "OK" (10). Drücken Sie "Mode" (15), um diesen Modus zu schließen.

Dateilöschchen (Videodatei / Bild)

- Drücken Sie Taste "OK" (10), im Laufe von 1-2 Sekunden erscheint das Menü "Löschen". Wählen Sie mittels Tasten (16) und (17) nötige Datei und drücken Sie Taste "OK", um gewählte Datei zu löschen.

FUNKTION BEWEGUNGENTDECKUNG

- Schalten Sie das Gerät und den Recorder, wählen Sie Menüpunkt "Bewegungsentdeckung".
- Drücken Sie "OK" (10), wählen sie Punkt "Ja"

2

DESCRIPCIÓN

- Función de grabación vídeo y toma de fotos (Recon 325R)
- Función de acumulación de la luz Sum Light™ (Recon X325)
- CCD de alta sensibilidad
- Un grande rango de observación
- El nuevo ocular (reduce al mínimo la posible distorsión, produce imagen nitido y de contraste)
- Óptica de luminosidad grande
- Resolución alta
- Ligero y compacto
- Grado de impermeabilidad IPX4 (IPX6)
- Salida de video
- Entrada de video (Recon 325/325R)
- Resistente a luz diurna
- Función de aumento de contraste (Recon 325/325R)
- Selección del color de la pantalla (Recon 325/325R)
- Encofrado universal para montaje de accesorios
- Un anteojero ergonómico rotatorio que protege de la luz lateral

El monocular digital de visión nocturna **Recon 325** es ideal para su aplicación en los siguientes campos:

- Observación en condiciones naturales
- Caza y turismo
- Juegos deportivos y orientación en la noche
- Pesca industrial y amateur, deporte de lancha
- Búsqueda y socorro, guardia y seguridad
- Observación del funcionamiento de los equipos tecnológicos
- Observación y grabado de video en condiciones de una fuerte variación de la iluminación - desde la iluminación normal hasta la oscuridad completa.

3

INSTALACIÓN DE LAS BATERÍAS

- Destornille y quite la tapa del compartimiento de las pilas.
- Coloque las cuatro baterías (o acumuladores) del tipo AA en el compartimiento de las pilas observando las marcas sobre la tapa del compartimento y asegúrese que han sido instaladas siguiendo las instrucciones de este manual (vea la ilustración).
- Quite la tapa en su lugar y atorníllela.

Atención! No recomendamos usar las baterías de diferente tipo, porque esto puede reducir considerablemente la duración de trabajo del aparato.

El instrumento puede funcionar con una fuente estabilizadora externa de alimentación o de la red eléctrica de automóvil. La banda de tensiones de entrada es desde 9 V hasta 15 V. La fuente externa de alimentación (AC/DC) se debe conectar al enchufe (19).

¡Durante el funcionamiento de una fuente externa de alimentación, no se lleva a cabo la carga de los acumuladores!

¡Atención! Para asegurar un funcionamiento correcto del visor utilice solamente fuentes de alimentación certificadas de calidad.

CARACTERÍSTICAS TÉCNICAS MODELO	78022 RECON 325	78032 RECON 325R	78027 RECON X325
------------------------------------	--------------------	---------------------	---------------------

Características ópticas:

Aumentos, x	2	2	2,7
Objetivo	24 mm, F/ 0,92	24 mm, F/ 0,92	24 mm, F/ 0,92
Distancia máxima de detección, m*	150	150	350
Campo de visión, grado/a 100m	12 / 21	12 / 21	12 / 21
Ajuste dióptrico del ocular, dioptrias	±5	±5	±5
Resolución, línea/mm	37	37	≥50

Características de empleo:

Tensión de trabajo	6 (4xAA)	6 (4xAA)	6 (4xAA)
Alimentación externa, potencia consumida	n/a	n/a	9-15V/3W
Tiempo de funcionamiento continuo con acumuladores (IR int. conectado/desconectado), h	12 / 9	12 / 9	5 / 4
Formato de la señal	CCIR / EIA**	CCIR / EIA**	CCIR / EIA**
Resolución de cámara, pixel (CCIR/EIA)	500x582/510x492	752x582/768x494	
Tipo de sensor CCD CCIR	Sony ICX-254AL, 1/3"	Sony ICX-659AL, 1/3"	Sony ICX-658AL, 1/3"
EIA	Sony ICX-255AL, 1/3"		
Iluminación de uso min/max (f1.2, S/N 20dB), lx	0,005 / 30000	0,001 / 30000	
Montura de trípode, pulgada	¼	¼	¼
Temperatura de uso	-10 °C ~ +45 °C	-10 °C ~ +45 °C	
Índice de protección, código IP (IEC 60529)	IPX6	IPX4	IPX6
Dimensiones, mm	162x83x55	162x83x52	169x83x55
Peso (sin baterías), kg	0,24	0,27	0,27

Características del videorecorder

Sistema de V	--	PAL/NTSC	--
Formato de video/foto	--	AVI/JPG	--
Resolución del videoclip/fotografía, pixels	--	640x480/320x240	--
Frecuencia de cuadros (imágenes)	--	30 cuadros/sec	--
Resolución horizontal	--	420 TV lines	--
Tarjeta de memoria (capacidad max.)	--	SD (4Gb)	--

Los modelos 78022K, 78032K, 78027K vienen con el Iluminador IR Pulsar-940.

* Distancia máxima de detección de un objeto con dimensiones de 1,7x0,5 m bajo la iluminación nocturna natural de 0,05 lux (cuarto de Luna).

** Dependerá de la región donde se haya vendido el producto.

1

CONTENIDO DEL EMBALAJE

- Monocular digital de visión nocturna
- Estuche
- Correa de muñeca
- Cable de video
- Tarjeta de memoria SD*
- Adaptador de trípode
- Servilleta para limpiar la lente
- Instrucciones
- Bono de garantía



* Suministrado con el Recon 325R.

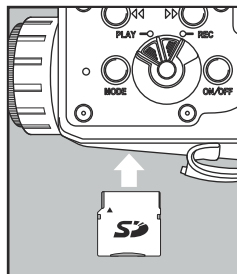
Con el fin de mejorar el diseño del producto, este puede estar sujeto a cambios.

- Bringen Sie Umschalter in Stellung "rec". In der oberen rechten Ecke erscheint die Aufschrift "AUTO".
- Drücken sie Knopf "OK" (10) - das Gerät geht in den Modus der Erwartung eines sich bewegenden Objektes über. Beim Erscheinen eines solchen Objektes im Blickfeld beginnt die Aufzeichnung (in oberer linker Ecke erscheint das Bildsymbol "rec").
- **Anmerkung:** bei Senkung der Beleuchtungsstärke, verringert sich auch die Entfernung, aus welcher ein bewegendes Objekt entdeckt werden kann.
- Nach Verschwinden des Objektes aus dem Blickfeld wird die Aufzeichnung noch innerhalb von 10 Sekunden fortgesetzt und danach automatisch beendet (Bildsymbol "rec" verschwindet), das Gerät kehrt ins den Wartemodus zurück.
- Für Übergang zum Menü bringen sie Umschalter (13) in Stellung "play" und drücken Sie "mode" (15).
Anmerkung: um bessere Ergebnisse zu bekommen, Ist es empfehlenswert das Gerät auf den Stativ zu stellen.

7

● SPEICHERKARTE

- Die Aufzeichnung der Videoclips und Fotos erfolgt nur auf die Speicherkarte SD, da das Gerät keinen eingebauten Speicher hat. Im Gerät können Speicherkarten mit einem maximalen Speichervolumen von 4GB genutzt werden.



- Vor Benutzung im Gerät sollte die Speicherkarte formatiert werden (s. Punkt "Format" des Menüabschnitts "Einstellungen").
- Installieren Sie die Karte wie auf Abb. gezeigt. Vergewissern Sie sich, dass die Karte bis zum Ende einsteckt ist (Sie müssen ein Knackgeräusch hören).
- **Nehmen Sie die Speicherkarte nicht während der Aufzeichnung oder Wiedergabe heraus!**

Dies kann zur Beschädigung der Karte oder zum Datenverlust führen.

Die maximale Dauer der Videoaufzeichnung in Abhängigkeit vom Speichervolumen der Karte und Auflösung des Videoclips:

Volumen der Speicherkarte	640x480 (VGA)	320x240 (QVGA)
512	28 min	102 min
1GB	55 min	200 min
2GB	111 min	400 min
4GB	222 min	800 min

Nach der Aufzeichnung können Sie die Speicherkarte herausnehmen und die aufgezeichneten Daten auf einem externen Gerät (z.B. PC) anschauen, bearbeiten. Zum Herausnehmen öffnen Sie die Blende des Speicherkartenfachs, drücken auf die Karte bis zum Knackgeräusch und die Feder wird sie nach außen befördern.

8

ZUBEHOR

Im **Recon 325** wird eine spezielle Montage (9) vorgesehen, die das Anschließen verschiedener Zubehörteile, wie Infrarot-Strahler **Pulsar-805** (oder **Pulsar-940**), (in **Pulsar-940** die IR Beleuchtung ist unsichtbar für das menschliche Auge) ermöglicht. Der Infrarot-Strahler **Pulsar-805** (oder **Pulsar-940**) kann auch mit dem **Recon 325** mitgeliefert werden. Das **Recon 325** hat auch ein 1/4" Stativgewinde um das Gerät auf einen Stativ zu montieren. Der Stativadapter, der im Lieferumfang inbegriffen ist, ermöglicht Anschließen des IR-Strahlers **Pulsar-940** und Montage des Gerats auf den Stativ.

9

BESONDERHEITEN DES BETRIEBES

Wenn das Gerät nicht verwendet wird oder Sie dieses in der Tragetasche transportieren dann sollte das Gerät ausgeschaltet werden. Sie können das Gerät ebenfalls bei Nacht und Tag benutzen.

- Bei Temperaturschwankungen kann es zu einen Beschlagen der Linsen kommen. Dieses ist normal und verschwindet innerhalb einer Stunde.
- Tauchen Sie das Gerät nicht in Flüssigkeiten. Schützen Sie es vor starker Sonneneinstrahlung.
- Vermeiden Sie starke Erschütterungen, Wärme- und andere Ereignisse die dem Gerät schaden können.
- Schließen Sie an den Videoausgang nur dafür vorgesehene Geräte. Verwenden Sie keine anderen Zubehörteile wie z.B. Kopfhörer. Das Gerät kann dadurch Schaden nehmen.
- Bei Einstellung des Bildschirms (man kann ein schwarzes Netz sehen), sind 7 helle und dunkle Flecken auf der Bildfläche zu sehen. Diese sind normal.
- Eine Einstellung der eingebauten Infrarot-Strahler ist nicht vorgesehen.

10

PFLERGE

- Das Gehäuse des Gerätes ist mit einem weichen Tuch zu reinigen. Verwenden Sie dazu keine groben Tücher oder chemische Reinigungsmittel.
- Verwenden Sie immer Reinigungsmittel, die auch für Fotoausrüstungen geeignet sind.
- Der Staub von der Linse kann mit einem weichen Haarpinsel abgewischt werden. Die Linse können Sie mit einen Tuch für optische Geräte/Linsen reinigen. Geben Sie das Reinigungsmittel nie direkt auf die Linse!

11

AUFBEWAHRUNG

Nehmen Sie vor der Lagerung die Speiseelemente heraus und trocknen Sie das Gerät. Bewahren Sie das Gerät in der Sporttasche auf. Es sollte nicht in Nähe eines Heizgerätes, Lüftungsschächten, Temperaturen unter +10 °C und Feuchtigkeit nicht über 70% aufbewahrt werden.

12

FEHLERBESEITIGUNG

In der Tabelle ist die Liste der möglichen Probleme, die bei der Verwendung des Gerätes entstehen, aufgeführt. Wenn in dieser Liste das Problem nicht aufgeführt ist oder die erwähnte Handlung für die Beseitigung des Defektes kein Ergebnis gibt, teilen Sie dieses bitte dem Hersteller mit.

Problem	Prüfung	Korrektur
Gerät schallt sich nicht ein.	Prüfen Sie die Richtigkeit des Einbaus der Batterien im Batteriefach. Vergewissern Sie sich über die Funktionsfähigkeit der Batterien.	Ersetzen Sie die Batterien oder bauen Sie diese richtig ein.
Schlechte Abbildungsqualität.	Prüfen Sie, ob das Okular und Objektiv entsprechend der Betriebsanleitung eingestellt sind. Überzeugen Sie sich, dass die Linsen nicht angelaufen und verschmutzt sind. Regulator von Helligkeit (4) ist in der äußersten Lage.	Stellen Sie das Gerät laut der Betriebsanleitung ein. Stellen Sie die Helligkeit mit dem Regulator.
Auf dem Bildschirm gibt es mehrere leuchtende oder schwarze Punkte (Pixel) zu sehen.	Das Vorhandensein von derartigen Punkten hängt mit dem Herstellungsverfahren der CCD-matrizen zusammen und ist kein Mangel*.	Keine Aktion wird gebraucht.
Videorecorder reagiert nicht auf das Drücken der Knöpfe.	Eventuell hat sich das Gerät "aufgehängt".	Drücken Sie Reset-Taste (19) (Rücksetzen) für das Neustarten des Videorecorders. Achtung! Alle Einstellungen werden in diesem Falle auf die Werkseinstellungen zurückgesetzt.
Videorecorder zeichnet nicht auf.	Speicherkarte nicht eingesetzt. Speicherkarte ist voll.	Überprüfen Sie Vorhandensein und richtige Anordnung der Speicherkarte. Setzen Sie eine neue Karte ein, oder löschen Sie die vorhandenen Daten.

* Besonderheiten der CCD-Matrizen

Die von der Firma Sony hergestellten CCD-Matrizen, die in den digitalen Geräten Pulsar verwendet werden, zeichnen sich durch hohe Qualität aus. Dennoch können bei diesen Geräten optische Defekte wie weiße oder schwarze Flecken auftreten, die nicht nur bei der Nachfunktion sondern auch bei Tageslicht auftreten können. Das Auftreten dieser weissen und schwarzen Flecken, Punkten, Defekte der CCD-Matrize ist gemäss den Normativakten der Firma Sony zulässig. Die Intensität der Defekte auf dem Bildschirm ist abhängig vom Typ der CCD-Matrize und der Kamera sowie vom Temperaturanstieg nach dem Einschalten des Gerätes.