



www.pulsarnv.com



BINOCULARS
EXPERT LRF 8x40
RANGE-FINDING

www.pulsarnv.com



MAIN FEATURES

- BUILT-IN LASER RANGEFINDER
- PROGRESSIVE PORRO II PRISM DESIGN
- SUPREME LIGHT TRANSMISSION
- REALISTIC COLOUR RENDERING
- OPERATION POSSIBLE IN FREEZING CONDITIONS
- WIDE RANGE OF SYMBOLS BRIGHTNESS SETTINGS
- STABLE POSITION OF GRAPHIC DATA IN THE FIELD OF VIEW
- EXCELLENT PERCEPTION OF ON-SCREEN SYMBOLS UNDER ANY CONDITIONS
- LONG MEASURING DISTANCE
- HIGH MEASURING ACCURACY
- SINGLE MEASUREMENT AND SCAN MODES (METERS/YARDS)
- LOW POWER CONSUMPTION, LOW BATTERY INDICATOR
- DURABLE FIBER REINFORCED COMPOSITE BODY PROTECTIVE RUBBER GRIP PADS
- EXTERIOR FLAT PROTECTIVE LENSES
- ERGONOMIC EYECUPS
- EXCLUSIVE ECLIPSE-M LENS CAPS

1 RANGEFINDER MODULE

The emitter and receiver of the rangefinder module are located between the binocular's lenses separately from optical channel which does not impact high light transmission.

2 EYEPIECES

Adjustable eyepieces allow interpupillary movement. Ergonomic eyecups maximize comfort and cut out extraneous light.

3 PROTECTIVE FILTER

Protective, flat front lenses enable use of the binocular in extreme environmental conditions protecting the objective lenses against scratches, dust, sand and moisture.

4 LENS CAPS

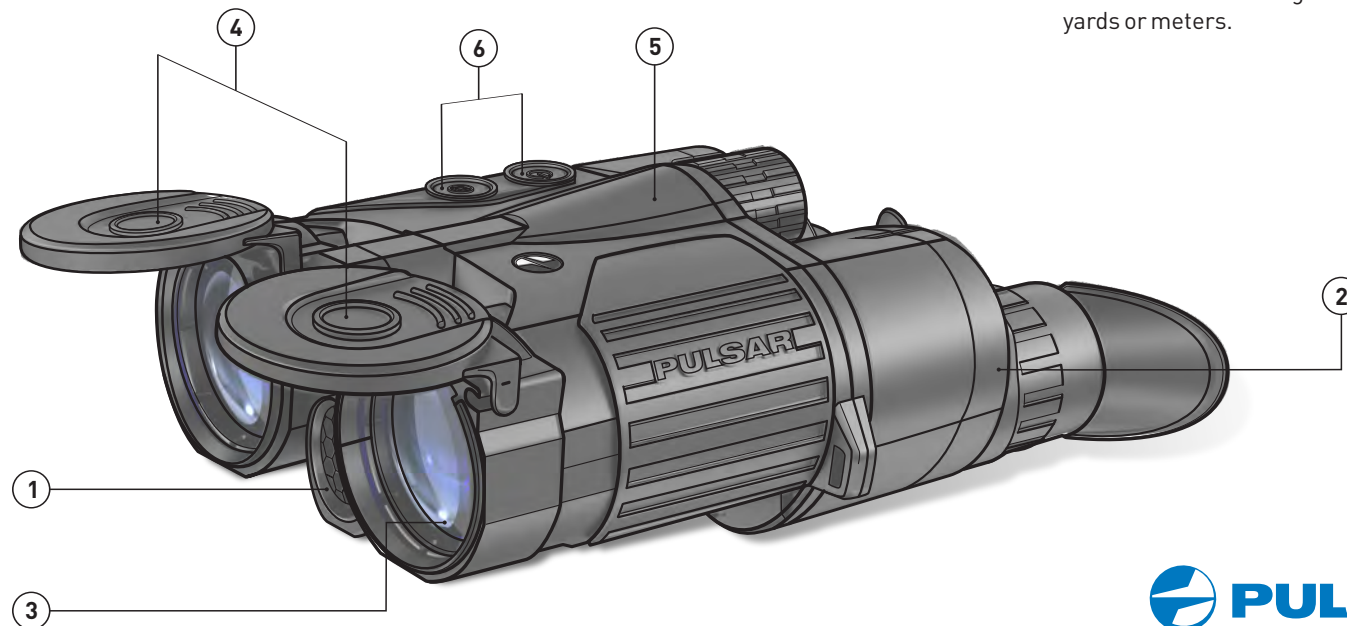
Eclipse-M lens caps remain attached at all times and can protect the front optics from rain.

5 BODY

The solid, yet very light, glass-reinforced plastic body safely encases the internal optical & electronic parts.

6 CONTROLS OF THE RANGEFINDER

The rangefinder is controlled with two buttons located on the top of the body. The unit has two measurement modes – single mode and scan mode. Measurement readings are shown in yards or meters.





OPERATION POSSIBLE AT EXTREME LOW TEMPERATURES

The Expert LRF 8x40 shows stable operation in freezing conditions (the unit was multiply tested at a temperature of 30°C below zero). The units using LCD displays show visible slowdown of imaging of graphic data in the field of view at below zero temperature.

REALISTIC COLOR RENDERING

The Expert LRF 8x40 binocular ensures realistic color rendering of an image under observation. At the same time, noticeable cold blue tints inherent in image rendering are a design feature of some popular binoculars with built-in laser rangefinder.

HIGH TRANSMISSION FACTOR

The Expert LRF 8x40 features one of the best transmission factors among similar devices, ensuring bright image which can be seen especially well when conducting observation in cloudy weather in the daytime or twilight.
The use of the patented on-screen data input system ensures lesser loss of light in the optical channel as compared to LCD based display solutions.

WIDE RANGE OF BRIGHTNESS SYMBOLS SETTINGS

The reticle and measurement readings are displayed in the field of view as high definition symbols with five brightness settings which contributes to a balanced contrast of the reticle in respect to an object viewed. Information is well perceived under any observation conditions both in sunny weather (including measurement of distance to light, well reflective objects) and twilight.

STABLE POSITION OF GRAPHIC DATA IN THE FIELD OF VIEW

The construction of the Expert LRF provides stable horizontal position of symbols in the field of view irrespectively of the mutual position of the eyepieces (interpupillary distance).

ADVANCED IMAGE SHARPNESS

The image seen through the Expert LRF features high resolution (sharpness and ability to render image of small objects at large distances) in all zones of the field of view.



LOW POWER CONSUMPTION

The Expert LRF 8x40 allows you to make up to 14000 single measurements using one battery which makes it today one of the most effective units with laser rangefinder in terms of energy consumption.

SPECIFICATIONS

MODEL	77071
Product Name	Expert LRF 8x40
Objective Lens Diameter, mm	40
Magnification, x	8
Eye Relief, mm	18
Exit Pupil, mm	5.0
Field of View, degree	6.5
Eyepiece Diopter Adjustment, diopter	±5
Measurement range, m	1000
Accuracy of range measurement, m	±1
Power supply / Battery	3V / CR123A
Battery Life, activations	3000
Operating Temperature, °C	-30 ... +45
Level of Protection, acc. to IEC 60529 Standard	IPX4
Dimensions, mm	200x144x80
Weight, kg	0.94

COMFORTABLE PERCEPTION OF ON-SCREEN SYMBOLS

On-screen symbols in the Expert LRF 8x40 are not obstructed with redundant symbols and do not hinder observation.

