



— ∇ —
the hairpin leg co.

THANKS

FOR PURCHASING
A SET OF LEGS
FROM US.

This guide will take you through how to install, finish and maintain your new industrial legs. If you have any further questions, our contact details are at the back. We're always happy to help.



CHOOSING YOUR TABLE SIZE



To start, work out how much room you have for your table.

You'll need roughly 100cm behind the table on all sides, so each person can push their chair back comfortably.

Use the guide below to work out a suitable shape and size for your table, based on how many people you want to seat.

Round/Square table (By Diameter/Length)	Seats
80cm	2
120cm	4
160cm	6-8
180cm	8-10

Rectangular/Oval table (Width x Length)	Seats
80 x 60cm	2
120 x 80cm	4
180 x 90cm	6-8
250 x 100cm	8-10

NOTE: Our industrial legs can be used to make very large tables, up to 250cm. If your table top is even bigger, we advise you use more than two legs.

POSITIONING YOUR LEGS

Before you attach your legs, mark out their position on your table top. The image below will help you work out where is best to place them.



1. End overhang:

This can be anywhere from 0cm, to 25% of your overall table length. A larger overhang makes it more comfortable to sit at the end of the table.

2. Main span:

Make sure your table top can withstand its length. If it's not strong enough, it could bow or break.

For this reason, we advise against wooden tops under 20mm. That's unless you're constructing a sub-frame or supportive brace.

The thicker the wood, the longer the main span can be. As a guide, if you're using a 30mm Birch plywood, we'd recommend a maximum main span of 1.8m.

If you're unsure whether your table top is strong enough, speak to the material supplier. They should be able to advise you.

If you have a thinner piece of wood, you can reinforce it by attaching angle iron, steel box or sections of timber to support the top.

TIP: Cut a 45° chamfer on the end of the support material. This is always a good idea, to stop people catching their legs on it.



TIP: If using angle iron or box section steel, consider proper cleaning, rust protection and painting with an automotive type paint. Do this after all the holes are drilled.

3. Width

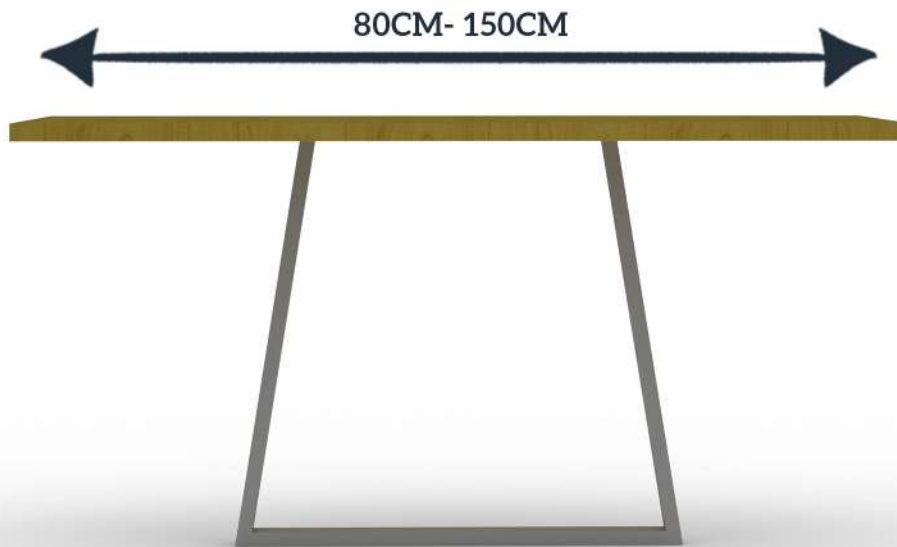
Our industrial legs are available in standard and wide fit. Use the guide below to find which is best suited to your table top.



Standard-width Industrial legs (58cm base footprint)

Suitable table top width: 60cm- 120cm

V frame legs max recommended width is 104cm due to the narrower base



Wide Industrial legs (78cm base footprint)

Suitable table top width: 80cm- 150cm

V frame legs max recommended width is 134 cm due to the narrower base

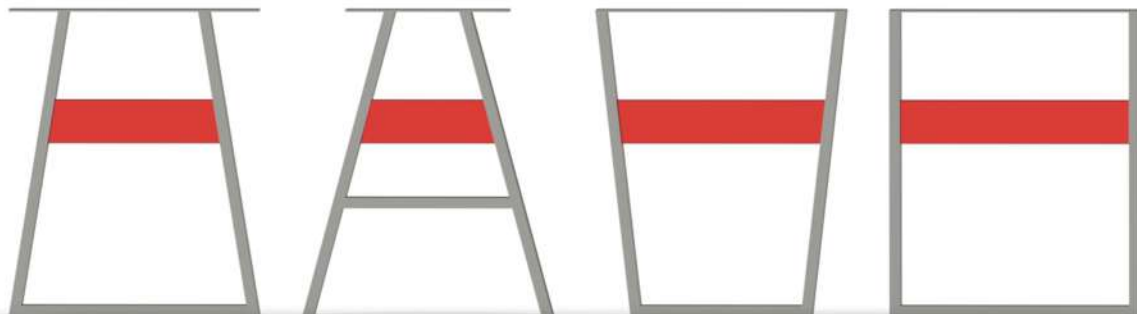
TIP: You will see a large crossover in the possible size range between standard and wide legs. For optimum stability our recommendation would be to consider the wide variants at about the 90-100cm mark.

LEG-ROOM FOR SEATING

If you plan to sit people at the table ends, you'll need to leave space for their legs to fit between the table legs.

The images below show the width of the legs at average knee-height (50cm).

Standard-width Industrial legs



Trapeziums:
36cm

A-frame:
26cm

V-frame:
48cm

Square:
53cm

Wide Industrial legs



Trapeziums wide:
56cm

A-frame wide:
46cm

V-frame wide:
68cm

Square wide:
73cm

We suggest leaving a 30cm end overhang for Trapezium and V-frame legs, or 40cm for A-frame.

Most chairs fit easily between Square legs, so you can position them as close to the table edge as you like.

ATTACHING YOUR LEGS

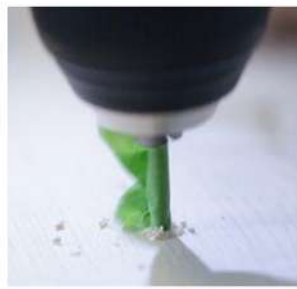
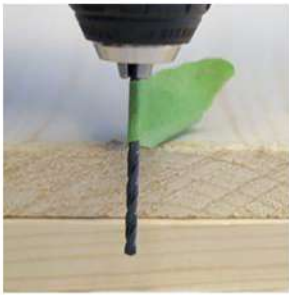
We've included a set of wood screws with your legs. These will be perfect for wood tops between 20mm-30mm.

If your table top is thicker than 30mm, or bigger than 150 X 75cm, we recommend longer screws or bolts. This will give you a more secure fixing.

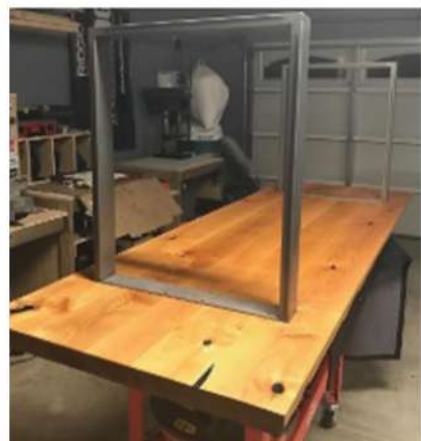
Mark out the pilot holes with a pencil. Use the base of the leg as a guide to mark the positions accurately.

Once the holes are marked, drill pilot holes into the wood. If you're using the screws provided, they'll need to be 2.5mm for soft wood or 3mm for hard wood.

Screw the legs to your surface with a Pozidriv head (Number 2 head, if you have it).



TIP: Mark the correct depth on your drill bit with a bit of masking tape. You don't want to drill through your lovely table top!



INSTALLATION.

BOLTING



METAL

Some people use threaded bolts as they can be taken on and off more easily than wood screws. They're also suitable if you have a thin table top, or you're planning to drill a through-hole.

We recommend using an #12 /M5 size fixing (7/32" diameter). The holes are 1/4" , giving you room for any slight misalignment.

WOOD

For bolting into wood, we'd recommend threaded inserts. If you can, use stainless steel or brass inserts as opposed to the zinc plated type. They're a lot more robust, especially for if you're driving into hard woods like oak.



FINISHING YOUR LEGS.



Our customers generally buy bare legs to achieve the classic raw steel look. But if you plan on finishing them yourself, below are some tips on our favourite alternative finishes.

PAINTING

We'd suggest using at least two types of paint: a primer and a top coat. You may even want to add a third layer of clear lacquer. This is how a car would be painted (and is the proper way to do it). But in our opinion the legs look great and remain durable without it, as long as you follow these steps.



CLEANING

One of the most important steps is to make sure your legs are really clean. We suggest some WD40 and a green washing up scour pad to remove any dirt, followed by a wipe down with a rag and a final removal of any grease using acetone, or another similar de-greaser.



FINISHING YOUR LEGS.

PRIMER

The primer acts as a key to the steel and is mainly there to make sure the colour sticks really well. Many people want to skip this step as it doesn't seem to make any difference to the finished surface. Although visually it doesn't, it does make sure the paint is really well stuck to the steel and won't easily chip off over years of use.

We recommend an acid etch primer in a spray can, which is specifically designed for metal. Most car shops will sell this. Apply at least 2 thin coats of primer, ensuring it doesn't go on too thick and run.



TOP COAT

Once you have left the primer to dry for at least 24 hours, it's time for the top coat. We suggest a single part (1k) automotive paint in a spray can. Apply 2 - 3 thin and even coats, allowing a few hours of dry time between coats. Once complete, leave for 24 - 48 hours before attaching to your new piece of furniture.

TIP : For a metallic finish, we'd recommend the Valspar range. They do a very nice copper and gold – much better than the cheaper rattle cans around.



FINISHING YOUR LEGS.

PENETRATING OIL

Another option to protect your legs from rust is a penetrating oil finish. These are applied with a rag and left to soak into the metal. As the oil fills the microscopic gaps in the metal, it forms a barrier to rust.

One advantage to this finish is that you can't easily chip the coating, making it very robust. We've used Oratrowl in the past, with great effects on everything from indoor furniture to garden gates. This option works well if you wish to keep the natural look of the steel as the finish is almost invisible when dry.

Search "Owatrol oil rust inhibitor" for more info



TIP: Don't use linseed oil! It never dries (unless it's the stuff with drying agents, then it dries slightly yellow).

WAX

Furniture wax is another good option if you wish to preserve some of the natural character of bare steel. It'll give more of a dull sheen to the metal.

As the wax doesn't penetrate the metal, it won't be suitable for any heavy use like outdoor. But it will provide a robust finish that can be reapplied every few years if needed.

As with any coating, ensure the legs are clean and dry before applying. Once the wax has been applied, you can buff it up to give a higher sheen.



TIP: Clear Bowling Alley wax works very well for steel too!

AND
THAT'S IT!

BEAUTIFUL LEGS
INSTALLED, FINISHED
AND READY FOR
ACTION.

hello@thehairpinlegcompany.co.uk

 @THEHAIRPINLEGCO

 @THEHAIRPINLEGCO

 @THEHAIRPINLEGCO

 @THEHAIRPINLEGCO

ALL THE BEST,
THE HAIRPIN LEG COMPANY