



INSTRUCTION MANUAL



Model 11076

**Diamondback Aluminum Tire Bead Breaker
with Carrying Case**

2347 Circuit Way, Brooksville, Florida, USA 34604
Phone: (+1) 352-799-1111 Toll Phone: (+1) 877-775-4AME (4263)
Fax: (+1) 352-799-1112 E-mail: sales@ameintl.net www.ameintl.net



INSTRUCTION MANUAL

! WARNING !

To avoid serious personal injury, always wear proper protective gear, such as hard hats, safety glasses, gloves, and steel toe shoes when using hydraulic equipment. Failure to chock the wheels and crib the vehicle can result in Serious injury or death. Always deflate tires before removing a wheel, a rim, or part of a rim clamp or nut. If you do not deflate the tire, the tire could explode, causing serious injury or death. Always stand to one side of the rim when using the bead breaker. Standing to one side of the bead breaker allows you to maintain control of the bead breaker. If it is not seated properly and flies off the rim, the bead breaker could cause serious injury or death.



IMPORTANT RECEIVING INFORMATION

Visually inspect all parts for shipping damage. If you find shipping damage, notify the carrier at once. Shipping damage is not covered by your warranty. The carrier is responsible for all costs of replacement or repair caused by shipping damage.

DESCRIPTION

The 11075 Bead Breaker is used on all types of rims except 5-piece earthmover rims. It is ideal for use with truck, farm tractor, grader, combine, and skidder tires. The 11075 can be used with a model (15000, 15020, 15040, 15920 and 15940), or equivalent 10,000 psi [700 bar] pump.

SAFETY INFORMATION

To avoid personal injury or property damage while using this product, read and follow all **DANGERS, WARNINGS, CAUTIONS, and INSTRUCTIONS** that are attached to, or included with, this product.

Introduction

This volume includes on operating and maintaining the AME 11075. It is your responsibility to operate and maintain this unit in a manner that will result in the safest working conditions possible.

Warranty of this unit will be void on any part of the unit subjected to misuse due to overloading, abuse, lack of maintenance and unauthorized modifications. No warranty – verbal, written or implied – other than the official, published AME new machinery and equipment warranty will be valid with this unit. In addition, it is your responsibility to be aware of existing Federal, State and Local codes and regulations governing the safe use and maintenance of this unit.

Throughout this manual, three means are used to draw information to your attention. They are **NOTES, CAUTIONS and WARNINGS** and are defined as follows:

Specifications

The AME 11075 Bead Breaker tool operates using two cylinders – a clamping cylinder and a breaker cylinder at a 90° angle with respect to each other. Both the clamping and bead breaking actions are performed automatically, and no mid-sequence operation by the user is required.

The 11075 Bead Breaker can bead break tires up to 29.5 x 29.



INSTRUCTION MANUAL

CAUTION

To avoid injury, every user must be trained. Work with the following organization for training and instruction in safe tire handling: Tire Industry Association 1532 Pointer Ridge Place, Suite E Bowie, MA 20715-1883
Telephone: 800-876-8372 Fax: 301-430-7283 www.tireindustry.org

Operation



WARNING

The optional air/hydraulic pump is capable of generating fluid pressure up to 10,000 PSI. Keep both hands on the handles and away from the clamping jaw or breaker tongue. Make certain that the tool is properly aligned on the rim before allowing the bead breaking action. Do not continue to operate the air/hydraulic pump once the breaker rod is completely extended. Failure to comply with these instructions could result in personal injury or equipment damage.

To operate the bead breaker:

1. Make certain the tire is completely deflated. Using rubber lubricant, lubricate the area where you plan to break the bead.



Deflate tire



Lubricate with rubber lubricant

2. Connect the hose of an air/hydraulic pump to the hydraulic coupling on the bead breaker tool. Connect the air supply line to the air/hydraulic pump. The air supply should be between 5 and 10 CFM at 100 PSI to obtain proper operating characteristics. In addition, the air line should be equipped with an air line filter.



INSTRUCTION MANUAL

3. Position the bead breaker so that the jaw makes solid contact with the rim and the teeth are positioned in the crevice between the bead of the tire and the rim.

NOTE

When a tire has a trash guard, you may have to drive two straight tire irons between the rim and the tire bead to get a starting point for the teeth.

4. Step on the PUMP end of the pump pedal. The clamping rod will begin to extend and the jaw will grip the rim.



The AME 11075 includes a clamping jaw pivot pin which can be placed in one of four jaw pivot positions for use on different width flanges. The top hole (closest to the handle) is used for smaller rim flanges, and the bottom hole (furthest from the handle) is used for larger rim flanges.



The AME 11075 has four jaw Pivot positions.



Bead Breaker with pin in highest position



Bead Breaker with pin in lowest position



INSTRUCTION MANUAL

▲ CAUTION

Make certain that the teeth slip in between the rim flange and the bead. If not, depress the RELEASE end of the pump pedal and realign the tool. If the tool is not positioned correctly, extending the breaker rod may damage the tire bead or sidewall, the rim flange, or the tool. If the tool is not pushing parallel to the bead seat area, reposition before continuing.

Continue pumping until the tongue of the bead breaker pushes the bead free of the rim. Repeat the process as needed around the diameter of the rim. The tool can be used on the front and back bead areas.

Once the bead is free of the rim, depress the RELEASE end of the pump pedal.

▲ CAUTION

To avoid injury, every user must be trained. Work with the following organization for training and instruction, in safe tire handling: Tire Industry Association 1532 Pointer Ridge Place, Suite E Bowie, MA 20716-1883 Telephone: 800-976-8372 Fax: 301-430-7283 www.tireindustry.org

Cleaning

Wash the exterior of the bead breaker with warm, soapy water. Rinse with clean water and the tool dry with an air nozzle. Also pay particular attention to the cleanliness of the pump.

▲ CAUTION

Avoid seal damage. Do not use solvent to clean the bead breaker.

Storage

Prior to storing the bead breaker:

1. Completely retract both rods. An exposed rod may be subject to rusting, pitting and damage from striking other tools.
2. If chloride is spilled on the tool, rinse with clean water and blow dry.
3. Dress rod surface nicks and dents with fine grit emery paper. Rod surface nicks and dents if left untended, provide a starting point for rust.

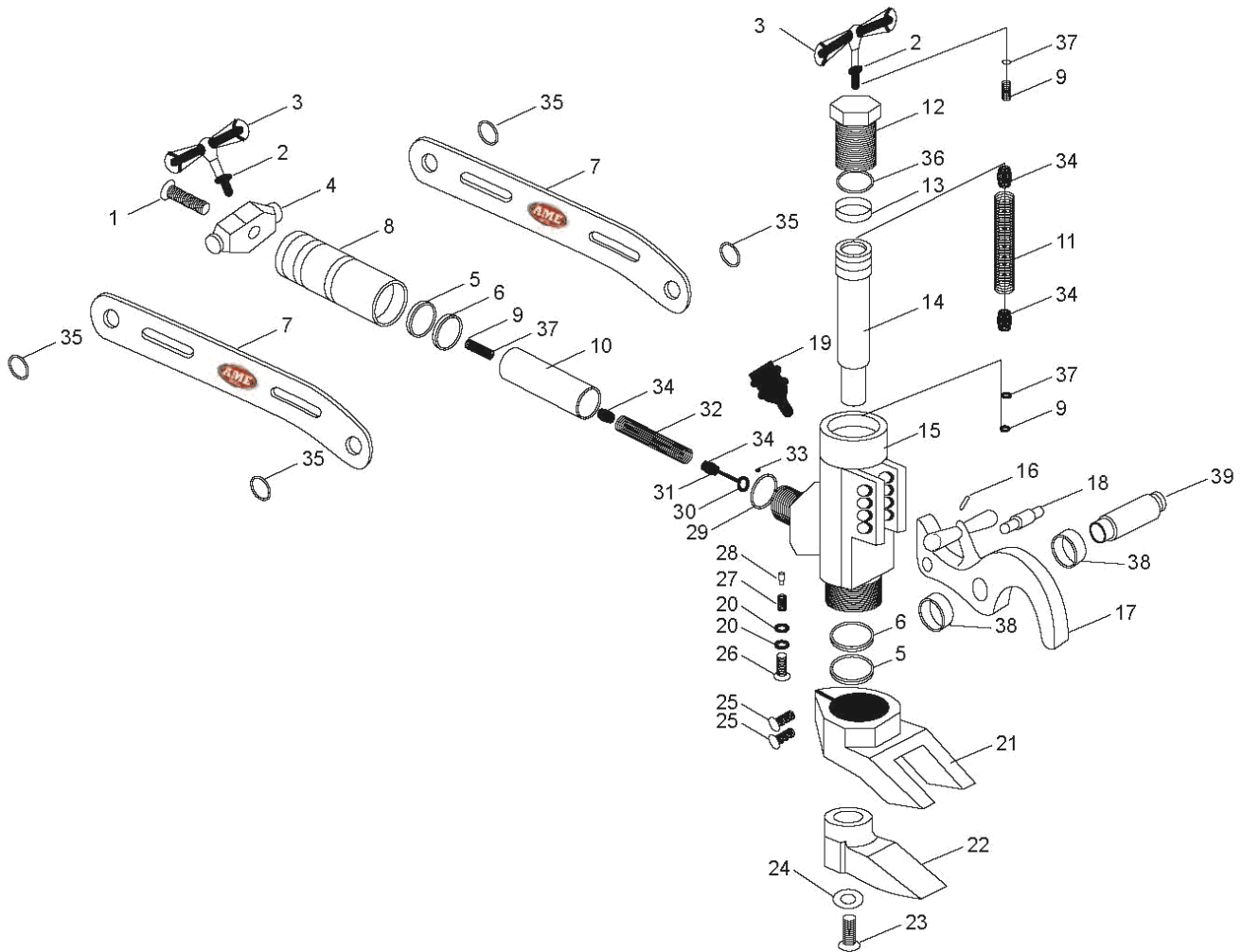
NOTE

The chrome plated rod surfaces provide the seal for the tool. Any steps taken to ensure the continuing quality of the rod surfaces will increase the service life of the tool.



INSTRUCTION MANUAL

Parts List For Diamondback Aluminum Tire Bead Breaker Model 11075





INSTRUCTION MANUAL

Parts List For Diamondback Aluminum Tire Bead Breaker Model 11075

ITEM	PART #	Stock #	Description	Qty
1	11075-001	71412321	BOLT	1
2	11075-002	71412322	NUT	2
3	11075-003	71411177	HANDLE	2
4	11075-004	71412323	BASE, CONNECTING ROD	1
5	11075-005	*	RING,SEAL	2
6	11075-006	*	RING,SEAL	2
7	11075-007	71412264	ROD CONNECTOR	2
8	11075-008	71412324	HOUSING,CLAMP CYL	1
9	11075-009	71412265	SCREW	3
10	11075-010	71412325	ROD,CLAMP CYL	1
11	11075-011	71412266	SPRING- SEE #34	1
12	11075-012	71412326	HEAD, BREAKER CYL	1
13	11075-013	*	SEAL	1
14	11075-014	71412327	ROD, BREAKER CYL	1
15	11075-015	71412328	BODY	1
16	11075-016	71412329	SCREW	1
17	11075-017	71412267	JAW	1
18	11075-018	71412330	PIN, JAW PIVOT	1
19	16060	71411176	COUPLER	1
20	11075-020	71411174	WASHER	2



INSTRUCTION MANUAL

Parts List For Diamondback Aluminum Tire Bead Breaker Model 11075

ITEM	PART #	Stock #	Description	Qty
21	11075-021	71412268	TEETH, CLAMPING	1
22	11075-022	71412269	TONGUE	1
23	11075-023	71412270	SCREW	1
24	11075-024	71412271	WASHER	1
25	11075-025	71412331	SCREW	2
26	11075-026	71411175	PLUG	1
27	11075-027	71411173	SPRING	1
28	11075-028	71412272	BALL, SEQUENCING	1
29	11075-029	76396884	* O-RING	1
30	11075-030	71412332	WASHER	1
31	11075-031	71412333	SCREW	1
32	11075-032	71412273	SPRING- SEE #34	1
33	11075-033	71412274	BALL	1
34	11075-034	71412334	NUT- AVAILABLE ONLY W/ 11 & 32 SUB ASSY.	
35	11075-035	71412275	SNAP RING	4
36	11075-036	*	SEAL	1
37	11075-037	71412335	* METALLIC SEAL WASHER	3
38				
39	11075-039	71412277	PIN, ROD CONNECTOR	1
40	11075-040	94396604	*SEAL KIT (INCL. 5, 6, 13, 29, 36, 37, 42, 43)	1
41			LOCK WASHER	2
42			* SEAL	1
43			* BACK-UP RING	2

2347 Circuit Way, Brooksville, Florida, USA 34604
Phone: (+1) 352-799-1111 Toll Phone: (+1) 877-775-4AME (4263)
Fax: (+1) 352-799-1112 E-mail: sales@ameintl.net www.ameintl.net