



# SX231P & SX231P-2 1/2" PREMIUM IMPACT WRENCH



### SX231P SPECIFICATIONS

Square Drive Size.....	1/2"
Max. Torque.....	500 Ft. Lbs. (677.9 Nm)
Free Speed.....	8,000 RPM
Length.....	Length 7.4" (188 mm)
Weight.....	5.9 Lbs. (2.7 kg)
Avg. Air Cons.....	5.5 cfm Avg Air Cons (155.7 l/min)
Air Inlet.....	1/4" NPT
Min. Hose Size.....	3/8" I.D. (10mm)
Sound Pressure Level.....	107 dBA

### SX231P-2 SPECIFICATIONS

Square Drive Size.....	1/2"
Max. Torque.....	500 Ft. Lbs. (677.9 Nm)
Free Speed.....	8,000 RPM
Length.....	Length 9.4" (238.8mm)
Weight.....	6.2 Lbs. (2.8 kg)
Avg. Air Cons.....	7.0 cfm (198.2 l/min)
Air Inlet.....	1/4" NPT
Min. Hose Size.....	3/8" I.D. (10mm)
Sound Pressure Level.....	107 dBA

### ⚠️ WARNING



**READ THIS MANUAL BEFORE OPERATING TOOL.**



**ALWAYS WEAR EYE PROTECTION WHEN OPERATING OR PERFORMING MAINTENANCE ON THIS TOOL.**



**ALWAYS WEAR HEARING PROTECTION WHEN OPERATING THIS TOOL.**



**AVOID PROLONGED EXPOSURE TO VIBRATION**



## ⚠ WARNING

To reduce the risk of injury, anyone using, repairing, maintaining, or changing accessories on this tool must read and understand these instructions before performing any of these tasks.

- ⚠ Always inspect, operate, and maintain this tool in accordance with American National Standards Institute Safety Code of Portable Air Tools (ANSI B186.1) and any other applicable safety codes and regulations.
- ⚠ These tools are rated at 90 psi / 6.2 bar max air pressure for safety, top performance, and maximum durability of parts; do not exceed this pressure while the tool is running.
- ⚠ Always shut off air supply, drain hose of air pressure and disconnect tool from air supply when not in use, before changing accessories, or when making repairs.
- ⚠ Never direct air at yourself or anyone else.
- ⚠ Always wear impact-resistant eye and face protection when operating or performing maintenance on this tool.
- ⚠ High sound levels can cause permanent hearing loss. Always use hearing protection when using this tool as recommended by your employer or OSHA regulation.
- ⚠ Keep away from rotating end of tool. Do not wear jewelry or loose clothing. Secure long hair. Scalping can occur if hair is not kept away from tool and accessories. Choking can occur if neckwear is not kept away from tool and accessories.
- ⚠ Do not use quick disconnect couplings at tool. See operating instructions for proper set up.
- ⚠ Whipping hoses can cause serious injury. Always carefully check for damaged or loose hoses and fittings before operating this tool.
- ⚠ Avoid direct contact with accessories during and after use. Gloves should be worn to reduce the risk of cuts or burns.
- ⚠ Use only sockets and accessories rated for use with Impact Wrenches which are in good condition. Sockets in poor condition or hand sockets and accessories can shatter and cause injury.
- ⚠ Never run the tool off of the work. The tool may run too fast and cause the accessory to be thrown off of the tool.
- ⚠ Serious injury can result from over-torqued or under-torqued fasteners. Assemblies requiring a specific torque must be checked using a torque meter.
- ⚠ "Click" torque wrenches do not check for potentially dangerous over-torque conditions.
- ⚠ Slipping, tripping, and/or falling while operating air tools can be a major cause of serious injury or death. Be aware of your surroundings and any excess hose left on the walking or working surface.
- ⚠ Pneumatic tools can cause vibration in use. Vibration, repetitive motions or uncomfortable positions over extended periods of time may be harmful to your hands and arms. Discontinue use of tool if discomfort, tingling feeling or pain occurs. Consult a physician before resuming use if any of these symptoms occur.
- ⚠ Do not stretch or overreach while using this tool.
- ⚠ If tool appears to malfunction, remove from service immediately and arrange for repair.
- ⚠ Never use tool if there is any chance of coming into contact with line electricity.
- ⚠ Use only Sunex certified spare parts for any repair made to tool. Repairs should only be performed by properly trained persons.
- ⚠ Do not lock, tape or wire the tool valve in the "on/off" position.
- ⚠ Do not allow the exhaust air to come in contact with hot surfaces or flames.
- ⚠ **Use only impact wrench sockets and accessories on this tool. Do not use chromed hand sockets and accessories.**
- ⚠ Avoid inhaling dust or handling debris from the work process, which can be harmful to your health. Use dust extraction and wear respiratory protective equipment when working with materials which produce airborne particles.
- ⚠ Some dust created by power sanding, sawing, grinding, drilling and other construction activities contains chemicals known to the State of California to cause cancer and birth defects or other reproductive harm. Some examples of these chemicals are:
  - Lead from lead based paints
  - Crystalline silica bricks and cement and other masonry products
  - Arsenic and chromium from chemically-treated lumber
- ⚠ Your risk from these exposures varies, depending on how often you do this type of work. To reduce your exposure to these chemicals: work in a well ventilated area, and work with approved safety equipment, such as those dust masks that are specially designed to filter out microscopic particles.
- ⚠ This product may contain one or more chemicals known to the State of California to cause cancer and birth defects or other reproductive harm. *Wash hands thoroughly after handling.*

### Additional Safety Warnings

- ⚠ Do not modify this tool or its accessories.
- ⚠ Do not lubricate tools with flammable or volatile liquids such as kerosene, diesel or jet fuel.
- ⚠ Do not force tool beyond its rated capacity.
- ⚠ Do not remove any labels. Replace damaged labels.
- ⚠ This tool is not recommended for use in explosive atmospheres or underwater use.
- ⚠ Operators and maintenance personnel must be physically able to handle the bulk, weight, and power of this tool.
- ⚠ This tool is for professional use only.

**SAFETY INSTRUCTIONS - DO NOT DISCARD - GIVE TO USER**

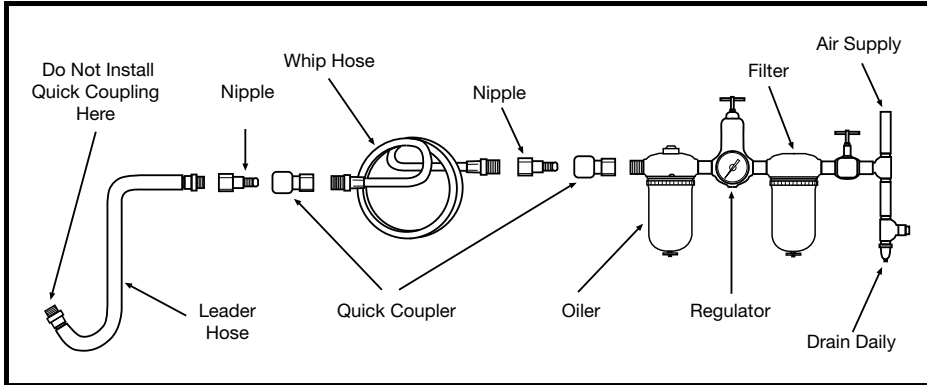
## Instruction Manual

This product is designed to tighten or loosen threaded fasteners. No other use is permitted.

### Air Supply Requirements

Tool is designed to operate at 90 psi (6.2 bar) at free speed measured at the tool, of clean, dry air. Operating this tool at higher pressures will drastically reduce the tool life and could cause injury.

The air inlet thread on this tool is a standard 1/4" NPT. Line pressure should be increased for any unusually long air hose run (over 25 feet). Minimum hose diameter should be 3/8" I.D. and all fittings should have the same inside diameter. See diagram below for proper air supply setup.



### Lubrication

Lubricate the tool each day after use with quality SAE #10 air motor oil. Add the oil to the air inlet or into the hose at the nearest connection to the air supply, then run the tool until all excess oil is expelled from the exhaust. Total oil quantity needed for this procedure is approximately 1/2 ounce.

### Operation

This tool includes an adjustable power management system that allows the operator to adjust power in the clockwise direction (forward) and counter clockwise direction (reverse).

To set tool up with full power output in forward direction and full power in the reverse direction; rotate the power dial until the notch on the dial aligns with the number 5 setting on each side of the tool.

To set tool up with reduced power output in forward direction and full power in the reverse direction; push the reversing valve out in the clockwise direction (forward) and adjust the dial to the desired number in the forward direction. You will see that when the reversing valve is switched back to counter clockwise, the tool will have full power output.

To set tool up with full power output in forward direction and reduced power in the reverse direction; push the reversing valve out in the counter clockwise direction (reverse) and adjust the dial to the desired number in the reverse direction. You will see that when the reversing valve is switched back to clockwise, the tool will have full power output.

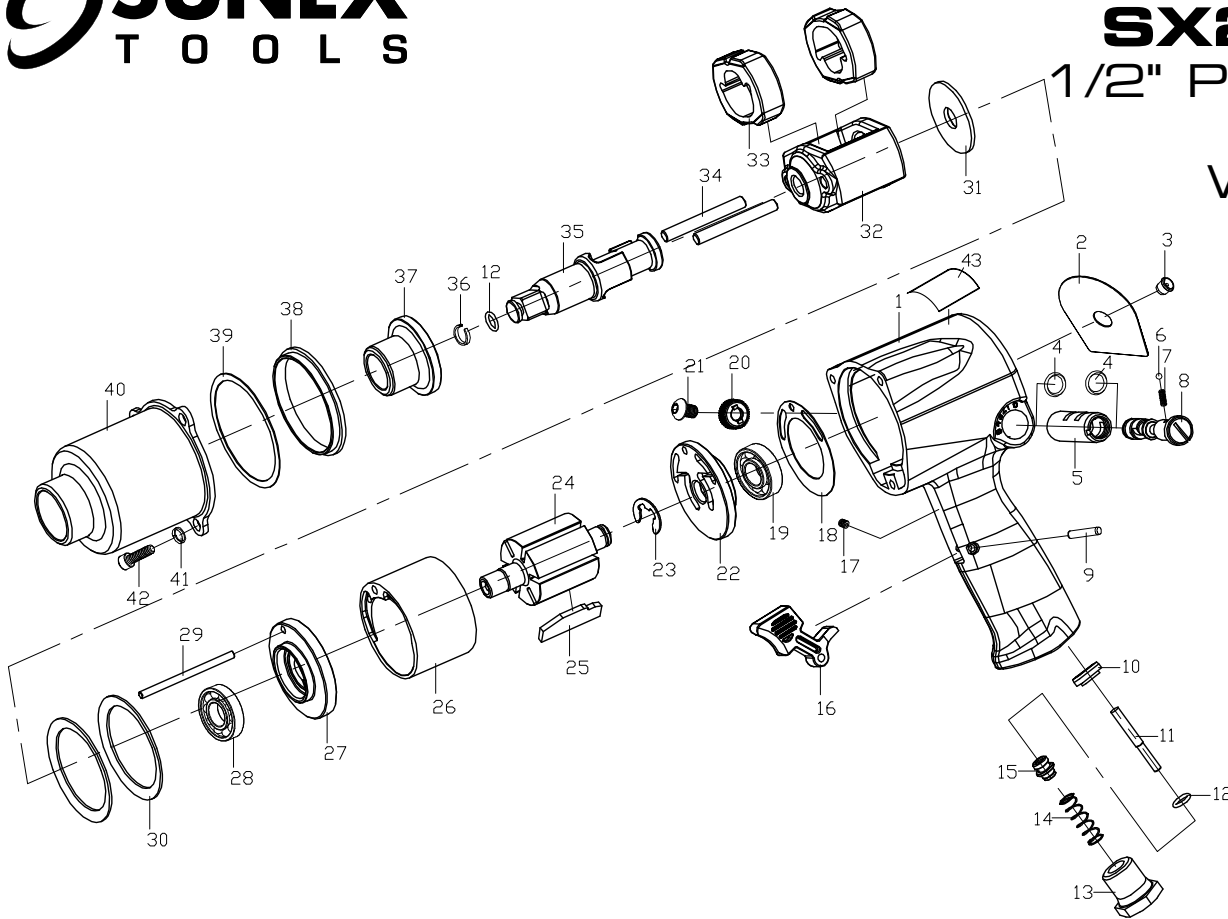
The Power management system is only for reference and does not act as a torque control tool. This tool includes a plunger style variable speed trigger that further allows the operator to control output power in the clockwise direction.

This impact wrench is rated at 1/2" SAE bolt size. Rating must be down graded for spring U bolts, tie bolts, long cap screws, double depth nuts, badly rusted conditions and spring fasteners as they absorb much of the impact power. When possible, clamp or wedge the bolt to prevent springback.

Soak rusted nuts in penetrating oil and break rust seal before removing with impact wrench. If nut does not start to move in three to five seconds use a larger size impact wrench. Do not use impact wrench beyond rated capacity as this will drastically reduce tool life. The reversing valve is used to change the rotation of the tool. When the valve is out, the tool is in a forward or right hand rotation. When the valve is pushed in, the rotation is reverse or left hand.

NOTE: Actual torque on a fastener is directly related to joint hardness, tool speed, condition of socket and the time the tool is allowed to impact. Use the simplest possible tool-to-socket hook up. Every connection absorbs energy and reduces power.

# SX231P & SX231P-2 1/2" PREMIUM IMPACT WRENCH



REF. NO.	PART NO.	DESCRIPTION	QTY.
1	RS708A01S	Housing Assembly (includes #1, 2, 3, 5, 43)	1
2	RS708A02S	Name Plate	1
3	RS708A03	Grease Fitting	1
4	RS708A04	O-Ring	2
5	RS708A05	Reverse Valve Sleeve	1
6	RS708A06	Detent Ball	1
7	RS708A07	Detent Spring	1
8	RS708A08	Reverse Valve	1
9	RS708A09	Trigger Pin	1
10	RS708A10	Valve Seat	1
11	RS708A11	Valve Stem	1
12	RS708A12	O-Ring	2
13	RS708A13	Air Inlet	1
14	RS708A14	Valve Spring	1
15	RS708A15	Throttle Valve Assembly (includes #10, 11, 12, 14)	1
16	RS708A16	Trigger	1
17	RS708A17	Set Screw	1
18	RS708A18	Rear Gasket	1
19	RS708A19	Rear Bearing	1
20	RS708A20	Knob for Reverse Valve	1
21	RS708A21	Screw	1
22	RS708A22	Rear End Plate	1

REF. NO.	PART NO.	DESCRIPTION	QTY.
23	RS708A23	E-Ring	1
24	RS708A24	Rotor	1
25	RS708A25	Rotor Blade (Pack of 6 Blades)	1 pack
26	RS708A26	Cylinder	1
27	RS708A27	Front End Plate	1
28	RS708A28	Front Bearing	1
29	RS708A29	Cylinder Dowel Pin	1
30	RS708A30	Motor Clamp Washer	2
31	RS708A31	Washer	1
32	RS708A32	Hammer Cage	1
33	RS708A33	Hammer	2
34	RS708A34	Hammer Pin	2
35	RS708A44	2" Anvil Assembly (includes #12, 36)	1
	RS708A35	Standard Anvil Assembly (includes #12, 36)	1
36	RS708A36	Socket Retaining Ring	1
37	RS708A37	Anvil Bushing	1
38	RS708A38	Protect Ring	1
39	RS708A39	Front Gasket	1
40	RS708A40	Hammer Case Assembly (includes #37)	1
41	RS708A41	Spring Washer	3
42	RS708A42	Cap Screw	3
43	RS708A43	Warning Label	1

## LIMITED WARRANTY...

### **SUNEX INTERNATIONAL, INC. WARRANTS TO ITS CUSTOMERS THAT THE COMPANY'S SUNEX TOOLS® BRANDED PRODUCTS ARE FREE FROM DEFECTS IN WORKMANSHIP AND MATERIALS.**

Sunex International, Inc. will repair or replace its Sunex Tools® branded products which fail to give satisfactory service due to defective workmanship or materials, based upon the terms and conditions of the following described warranty plans attributed to that specific product. This product carries a ONE-YEAR warranty. During this warranty period, Sunex Tools® will repair or replace at our option any part or unit which proves to be defective in material or workmanship.

#### **Other important warranty information...**

This warranty does not cover damage to equipment or tools arising from alteration, abuse, misuse, damage and does not cover any repairs or replacement made by anyone other than Sunex Tools® or its authorized warranty service centers. The foregoing obligation is Sunex Tools® sole liability under this or any implied warranty and under no circumstances shall we be liable for any incidental or consequential damages.

**Note:** Some states do not allow the exclusion or limitation of incidental or consequential damages, so the above limitation or exclusion may not apply to you. Return equipment or parts to Sunex Tools®, or an authorized warranty service center, transportation prepaid. Be certain to include your name and address, evidence of the purchase date, and description of the suspected defect.

If you have any questions about warranty service, please write to Sunex Tools®. This warranty gives you specific legal rights and you may also have other rights which vary from state to state. Repair kits and replacement parts are available for many of Sunex Tools® products regardless of whether or not the product is still covered by a warranty plan.

**SHIPPING ADDRESS:** Sunex Tools • 315 Hawkins Rd. • Travelers Rest, SC 29690

**MAILING ADDRESS:** Sunex Tools • P.O. Box 1233 • Travelers Rest, SC 29690



# SX231P & SX231P-2

## LLAVE DE IMPACTO

### ENCAJE 1/2"



### SX231P SPÉCIFICATIONS

Tamaño de encaje cuadrado..... 1/2"  
Máxima torsión..... 500 Libras-pie. (677.9 Nm)  
Velocidad libre .....8,000 RPM  
Longitud..... Length 7.4" (188 mm)  
Peso .....5.9 Lbs. (2.7 kg)  
Consumo de aire promedio..... 5.5 cfm (155.7 l/min)  
Entrada de aire .....1/4" NPT  
Tamaño mín. de manguera Diám. Int. .... 3/8" I.D. (10mm)  
Sound Pressure Level ..... 107 dBA

### SX231P-2 SPÉCIFICATIONS

Tamaño de encaje cuadrado..... 1/2"  
Máxima torsión..... 500 Libras-pie. (677.9 Nm)  
Velocidad libre .....8,000 RPM  
Longitud..... Length 9.4" (238.8mm)  
Peso .....6.2 Lbs. (2.8 kg)  
Avg. Air Cons..... 7.0 cfm (198.2 l/min)  
Entrada de aire .....1/4" NPT  
Tamaño mín. de manguera Diám. Int. .... 3/8" I.D. (10mm)  
Sound Pressure Level ..... 107 dBA

### ⚠ ADVERTENCIA



LEA ESTE MANUAL ANTES DE OPERAR ESTA HERRAMIENTA.



SIEMPRE LLEVE PUESTO PROTECCIÓN DE OJOS AL MOMENTO DE OPERAR O REALIZAR MANTENIMIENTO A ESTA HERRAMIENTA.



SIEMPRE LLEVE PUESTO PROTECCIÓN DEL OÍDO AL MOMENTO DE OPERAR ESTA HERRAMIENTA.



EVITAR EXPOSICIÓN PROLONGADA A LAS VIBRACIONES



## ⚠ ADVERTENCIA

Para reducir el riesgo de lesiones, cualquier persona que usa, repara, da servicio o cambia los accesorios en esta herramienta debe leer y comprender estas instrucciones, antes de realizar cualquiera de estas tareas.

- ⚠ Siempre inspeccione, opere y realice servicio a esta herramienta de acuerdo con el Código de Seguridad de las herramientas neumáticas portátiles del Instituto de Normas Nacionales Americanas (ANSI B186.1) y cualquier otro código y norma de seguridad aplicable. Inspect, operate, and maintain this tool in accordance with American National Standards Institute Safety Code of Portable Air Tools (ANSI B186.1) and any other applicable safety codes and regulations.
- ⚠ Estas herramientas son clasificadas a unas 90 psi / 6.2 barras de máxima presión de aire para su seguridad, mayor rendimiento y una máxima durabilidad de partes; no exceda esta presión de aire mientras que la herramienta esté prendida.
- ⚠ Siempre apague el suministro de aire, vacíe la manguera de cualquier presión de aire y desconecte la herramienta del suministro de aire cuando la herramienta no está en uso, antes de cambiar los accesorios, o al momento de hacer las reparaciones.
- ⚠ Nunca dirija el aire hacia usted o hacia ninguna otra persona.
- ⚠ Siempre lleve protección de ojos y cara resistentes al impacto, al momento de operar o realizar mantenimiento a esta herramienta.
- ⚠ Los altos niveles sonoros pueden ocasionar la pérdida auditiva permanente. Siempre lleve puesto protección de los oídos al momento de usar esta herramienta, según se recomienda por parte de su empleador o las normas de OSHA.
- ⚠ Manténgase alejado de la extremidad giratoria de la herramienta. No lleve joyas o ropabholgada. Fíjese el pelo largo. El escalar puede ocurrir si el pelo no se mantiene lejos de la herramienta y accesorios. La asfixia puede ocurrir si los collares no se mantienen lejos de la herramienta y los accesorios.
- ⚠ No use uniones de desconexión rápida con la herramienta. Consulte las instrucciones de operación para el ensamble adecuado.
- ⚠ Las mangueras de látigo pueden ocasionar lesiones serias. Siempre revise cuidadosamente por mangueras o accesorios dañados o sueltos antes de operar esta herramienta.
- ⚠ Evite el contacto directo con los accesorios durante o después del uso. Se deben usar guantes para reducir el riesgo de cortes o quemaduras.
- ⚠ Use solo aquellos casquillos y accesorios clasificados para uso con las llaves de impacto, los que están en buenas condiciones. Los casquillos en pobres condiciones o los casquillos y accesorios de mano pueden hacerse añicos y ocasionar lesiones.
- ⚠ Nunca deje la herramienta prendida fuera del área de trabajo. La herramienta puede correr demasiado rápido y ocasionar que se tire el accesorio de la herramienta.
- ⚠ Se pueden ocasionar lesiones serias debido a un ajuste de torsión excesiva o baja de los sujetadores. Los ensambles que requieren de una torsión específica deben ser revisados usando un torquímetro.
- ⚠ Las llaves de torsión de "Clic" no adviertan las condiciones potencialmente peligrosas de la tensión excesiva.
- ⚠ El deslizamiento, los tropiezos y/o las caídas durante la operación de las herramientas neumáticas pueden ser una causa de lesiones serias o la muerte. Esté consciente de sus alrededores y de cualquier manguera en exceso dejada en el camino o sobre la superficie de trabajo.
- ⚠ Las herramientas neumáticas pueden ocasionar vibraciones durante el uso. Las vibraciones, movimientos repetitivos o las posiciones incómodas mantenidas durante periodos extendidos de tiempo pueden ser dañinos para las manos y los brazos. Deje de usar la herramienta si se dé alguna incomodidad, sensación

de hormigueo, o dolor. Consulte un médico antes de continuar el uso si se dé cualquiera de dichas síntomas.

- ⚠ No se estire ni intente extenderse demasiado al momento de usar esta herramienta.
- ⚠ Si la herramienta aparenta fallarse, deje de usarla inmediatamente y prepare la reparación de la misma.
- ⚠ Nunca use la herramienta si haya posibilidades de que tenga contacto con una línea de electricidad.
- ⚠ Use solo piezas de repuesto certificadas de Sunex para cualquier reparación hecha a la herramienta. Las reparaciones hechas deben ser realizadas solo por parte de personal adecuadamente capacitado.
- ⚠ No cierre ni use cinta ni alambre para bloquear la válvula de la herramienta en la posición de encendido/apagado.
- ⚠ **Use sólo con los casquillos de llave de impacto y accesorios designados para dicha herramienta. No use los casquillos de mano ni accesorios, ya que estos pueden ser dañados u ocasionar daño al equipo o al operador.**
- ⚠ No deje que el aire del escape haga contacto con las superficies calientes ni con las llamas.
- ⚠ Evite inhalar el polvo o los escombros de la maniobra proveniente del proceso del trabajo, los que pueden ser dañinos para la salud. Lleve puesto equipo protector para la respiración y para la extracción de polvo al momento de trabajar con los materiales que producen partículas suspendidas en el aire.
- ⚠ El polvo creado por el trabajo de lijado neumático, serrado, esmerilado, perforación y otras actividades de la construcción contiene químicos conocidos en el Estado de California por ocasionar el cáncer y defectos congénitos u otros daños de la reproducción. Algunos ejemplos de dichos químicos son:
  - El plomo proveniente de las pinturas con base de plomo
  - Ladrillos de sílice cristalino y el cemento y otros productos de mampostería
  - Arsénico y cromo de madera tratada con químicosSu riesgo de exposición varía, dependiendo de qué tan frecuentemente usted realice este tipo de trabajo. Para disminuir su exposición a dichos químicos: trabaje en un área bien ventilada y use equipo de seguridad aprobado, tal como las máscaras anti-polvo las que están específicamente diseñadas para filtrar las partículas microscópicas.
- ⚠ Este producto puede contener sustancias químicas consideradas por el Estado de California como causantes de cáncer, de malformaciones congénitas u otros daños en el sistema reproductivo. *Lávese bien las manos después de manipular el producto.*

### Advertencias adicionales de seguridad

- ⚠ No haga ninguna modificación a esta herramienta ni a los accesorios.
- ⚠ No lubrique las herramientas con líquidos inflamables o volátiles como queroseno, gasoil o combustible para aviones.
- ⚠ No fuerce la herramienta más allá de su índice de capacidad.
- ⚠ No quite ninguna etiqueta. Reponga las etiquetas dañadas. No quite las etiquetas. Reemplace las etiquetas gastadas. Esta herramienta no se recomienda para uso en ambientes explosivos ni debajo del agua.
- ⚠ Los operadores y el personal de mantenimiento deben estar físicamente capaces de manejar el volumen, el peso, y la potencia de esta herramienta.
- ⚠ Esta herramienta está destinada para uso profesional solamente.

**INSTRUCCIONES DE SEGURIDAD – NO LAS DESCARTE – DÉSELAS AL USUARIO**

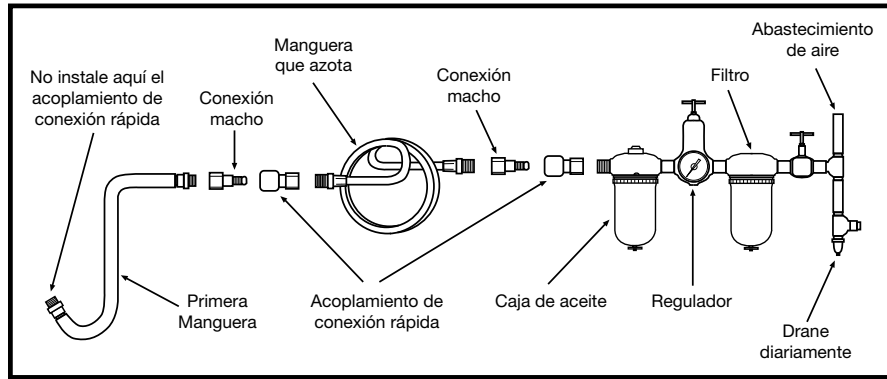
## Manual de instrucción

Este producto está diseñado para apretar o aflojar los sujetadores filetados. No se permite ningún otro uso.

### Los requerimientos del suministro de aire

La herramienta está diseñada para operarse a unas 90 psi (6.2 barras) a una velocidad libre, medida en la herramienta, de aire seco limpio. La operación de esta herramienta a altas presiones reducirá la vida útil de la herramienta en forma significativa y podría ocasionar lesiones.

La rosca de la entrada de aire en esta herramienta es de NPT 1/4" estándar. La presión de la línea debe aumentarse por cualquier manguera de una longitud anormalmente larga (mayor a 25 pies). El diámetro mínimo de manguera debe ser de un diámetro interior de 3/8" y todas las conexiones deben contar con el mismo diámetro interior. Consulte el diagrama a continuación por el ensamble adecuado del suministro de aire.



### Lubricación

Lubrique la herramienta cada día después del uso con aceite motor neumático de calidad SAE #10. Agregue el aceite a la entrada de aire o en la manguera en la conexión más cercana al suministro de aire, luego deje que la herramienta corra hasta que todo se purgue el aceite excesivo del escape. La cantidad total de aceite requerida para este procedimiento es de aproximadamente 1/2 onza.

### Funcionamiento

Esta herramienta posee un sistema de gestión de la potencia regulable que permite que el usuario ajuste la potencia en sentido horario (hacia adelante) y en sentido contra-horario (reversa).

Para un funcionamiento con plena potencia hacia adelante o en reversa; gire el cuadrante hasta que los discos de ajuste situados de cada lado de la herramienta marquen el número 5.

Para un funcionamiento con potencia reducida hacia adelante o en reversa; empuje la válvula de inversión en sentido horario (hacia adelante) y ajuste el disco en el número deseado para el sentido horario. Cuando la válvula de inversión se vuelve a colocar en sentido contra-horario, la herramienta funciona con plena potencia.

Para un funcionamiento con plena potencia en sentido horario y con potencia reducida en sentido contra-horario; empuje la válvula de inversión hacia fuera en sentido contra-horario (reversa) y ajuste el disco en el número deseado para la rotación en reversa. Cuando la válvula de inversión se vuelve a colocar en sentido horario, la herramienta funciona con plena potencia.

El sistema de gestión de la potencia es un sistema de referencia, no es un sistema de control del par. Esta herramienta está provista de un gatillo para regular la velocidad que permite al usuario controlar la potencia de la herramienta cuando funciona en sentido horario.

Esta llave de impacto está especificada para tornillos de tamaño USS 1/2". La especificación debe ser degradada para tornillos U de resorte, tornillos de anclaje, tornillos de tapón largo, tuercas de profundidad doble, condiciones de oxidación severa y sujetadores de resorte, dado que absorben mucho del impacto de la potencia. Cuando sea posible, sujete con abrazaderas o calce el tornillo para prevenir el rebotamiento.

Remoje las tuercas oxidadas en aceite penetrador y rompa el sello de oxidación antes de quitar la llave de impacto. Si la tuerca no comienza a moverse en tres a cinco segundos, use una llave de impacto de tamaño más grande. No use la llave de impacto más allá de su capacidad nominal, ya que esto reducirá dramáticamente la vida de la herramienta. La válvula de reversión se usa para cambiar la rotación de la herramienta. Cuando la válvula esté extendida, la herramienta está en una rotación delantera o de la mano derecha. Cuando la válvula esté metida, la rotación es en reversa o de la mano izquierda.

**NOTA:** La torsión actual de un sujetador está directamente relacionado con la dureza de la junta, la velocidad de la herramienta, la condición del casquillo y el tiempo el cual sea permitido para que la herramienta haga impacto. Use la conexión herramienta-casquillo más sencillo posible. Cada conexión absorbe energía y reduce la potencia.



## GARANTÍA LIMITADA

### **SUNEX INTERNATIONAL, INC., LE GARANTIZA A SUS CLIENTES QUE LAS HERRAMIENTAS Y PRODUCTOS CON LA MARCA DE LA EMPRESA SUNEX TOOLS NO CONTIENEN DEFECTOS EN SU MANO DE OBRA NI MATERIAS PRIMAS.**

Sunex International, Inc., reparará o sustituirá sus productos con la marca Sunex Tools® que reflejen fallas en el funcionamiento satisfactorio debido a que la mano de obra o las materias primas estén defectuosas, tomando como base las cláusulas y condiciones de los planes de garantía descritos a continuación y asignados a ese producto específico. Este producto tiene una garantía de UN AÑO. Durante ese periodo de garantía, Sunex Tools® reparará o sustituirá, como así opte por hacerlo, cualquier componente o unidad que se compruebe tener defectos en su materia prima o mano de obra.

### **Otra importante información de la garantía...**

Esta garantía no cubre ningún daño al equipo o herramientas, si este surge como resultado de su alteración, abuso, o mal uso o daños ni tampoco cubre las reparaciones o reposiciones hechas por cualquier persona ajena a los centros de servicio de garantía autorizados y que no sean de Sunex Tools®. La obligación antes mencionada queda bajo la responsabilidad exclusiva de Sunex Tools® según se menciona o de cualquier garantía implícita y bajo ninguna circunstancia quedará bajo su responsabilidad cualquier garantía implícita ya bajo ninguna circunstancia quedará bajo su responsabilidad cualquier daño incidental o consecuencial.

**Nota:** Algunos estados no permiten la exclusión o limitación de los daños incidentales o consecuenciales, por lo tanto la limitación o exclusión arriba mencionada quizá no pudiera serle pertinente a usted. Devuelva el equipo o componentes a Sunex Tools®, un centro de servicio de garantía autorizado, con el flete pagado. Asegúrese haber incluido su nombre y dirección, la evidencia de la fecha de adquisición y la descripción del defecto que se sospeche tener. Si tiene alguna duda relacionada con el servicio de garantía, por favor escríbale a Sunex Tools®. Esta garantía le concede derechos jurídicos específicos y quizá otros derechos que varían de un estado a otro, Sunex Tools® tiene a su disposición los juegos de reparación y refacciones de repuesto para muchos de sus productos, sin importar si el producto continúe o no bajo el plan de la garantía.

**DIRECCIÓN A EMBARCARSE:** Sunex Tools • 315 Hawkins Rd. • Travelers Rest, SC 29690

**DIRECCIÓN DE CORREOS:** Sunex Tools • P.O. Box 1233 • Travelers Rest, SC 29690



# SX231P & SX231P-2

CLÉ À CHOC À CARRÉ  
D'ENTRAÎNEMENT 1/2 PO



## SX231P SPECIFICATIONS

Dimension du carré d'entraînement..... 1/2"  
Couple max.....500 pi. Lbs. (677.9 Nm)  
Vitesse en régime libre.....8,000 RPM  
Longueur..... Length 7.4" (188 mm)  
Poids .....5.9 Lbs. (2.7 kg)  
Consommation  
d'air moyenne..... 5.5 pieds cubes par minute (155.7 l/min)  
Entrée d'air ..... 1/4" NPT  
Dimension minimale du tuyau ..... 3/8" I.D. (10mm)  
Sound Pressure Level .....107 dBA

## SX231P-2 SPECIFICATIONS

Dimension du carré d'entraînement..... 1/2"  
Couple max.....500 pi. Lbs. (677.9 Nm)  
Vitesse en régime libre.....8,000 RPM  
Longueur..... Length 9.4" (238.8mm)  
Poids .....6.2 Lbs. (2.8 kg)  
Consommation  
d'air moyenne..... 7.,0 pieds cubes par minute (198.2 l/min)  
Entrée d'air ..... 1/4" NPT  
Dimension minimale du tuyau ..... 3/8" I.D. (10mm)  
Sound Pressure Level .....107 dBA

## ⚠ AVERTISSEMENT



SAUVEGARDER CES INSTRUCTIONS.



VEUILLEZ LIRE LE PRÉSENT MANUEL  
AVANT D'UTILISER L'OUTIL.



TOUJOURS PORTER LE DISPOSITIF DE  
PROTECTION ANTIBRUIT LORSQUE VOUS  
UTILISEZ CET ÉQUIPEMENT.



ÉVITEZ L'EXPOSITION PROLONGÉE AUX  
VIBRATIONS.



## ⚠ AVERTISSEMENT

Pour réduire les risques de blessure, toute personne chargée de la réparation, de l'entretien ou du remplacement des accessoires de cet outil doit au préalable lire et comprendre ces instructions avant d'effectuer l'une de ces tâches.

- ⚠ Effectuez toujours l'inspection, la mise en fonction et l'entretien de cet équipement conformément au Code de sécurité de l'American National Standards Institute Safety Code of Portable Air Tools (ANSI B186.1) et à tout code et toute réglementation applicables.
- ⚠ Ces outils sont calculés à 90 psi / 6,2 bar de pression maximale de l'air pour des raisons de sécurité, de rendement optimal et de longévité maximale ; ne pas dépasser cette pression pendant le fonctionnement de l'outil.
- ⚠ Toujours couper l'alimentation en air, arrêter la pression d'air dans le tuyau de vidange et débrancher le tuyau d'alimentation d'air lorsque l'outil n'est pas utilisé, avant tout remplacement d'accessoires ou toute intervention sur l'outil.
- ⚠ Ne jamais diriger l'air sur vous-même ou sur quelqu'un d'autre.
- ⚠ Toujours porter des lunettes résistant aux impacts ou un écran facial lors du fonctionnement ou de l'entretien de l'outil.
- ⚠ Des niveaux acoustiques élevés peuvent causer une perte auditive permanente. Toujours porter un dispositif de protection antibruit lors de l'utilisation de cet outil suivant les recommandations de votre employeur ou de la réglementation
- ⚠ OSHA. Mantengase alejado de la extremidad giratoria de la herramienta. No lleve joyas o ropablogada. Fije el pelo largo. El escarpal puede ocurrir si el pelo no se mantiene lejos de la herramienta y accesorios. La asfixia puede ocurrir si los collares no se mantienen lejos de la herramienta y los accesorios.
- ⚠ Prenez garde à la pointe de l'outil quand elle tourne. Ne portez pas de bijoux ni de vêtements amples. Les cheveux longs doivent demeurer hors de portée de l'outil et de ses accessoires pour éviter tout scalp accidentel. Tenez les cravates et les colliers hors de portée de l'outil, car ils présentent un risque de suffocation
- ⚠ Ne pas utiliser des raccords rapides sur l'outil. Voir la notice d'emploi pour une installation appropriée.
- ⚠ Le fait de fouetter les tuyaux peut causer des blessures graves. Toujours examiner l'outil attentivement pour identifier d'éventuels dommages ou des tuyaux ou ajustements libres avant de mettre l'outil en marche.
- ⚠ Éviter le contact direct avec les accessoires pendant et après l'utilisation. Le port des gants est obligatoire pour réduire les risques de coupures ou de brûlures.
- ⚠ Utiliser seulement des emboîtements et des accessoires destinés aux Clés à choc en bonne condition. Des emboîtements en bon état ou des emboîtements à main et des accessoires peuvent se briser et causer des blessures.
- ⚠ Ne jamais utiliser l'outil hors du service. L'outil peut fonctionner à grande vitesse et les accessoires peuvent se détacher du produit.
- ⚠ Des blessures graves peuvent provenir du serrage exagéré ou insuffisant des fixations. Des assemblages nécessitant un serrage en couple spécifique doivent être contrôlés à l'aide d'un torsiomètre.
- ⚠ Les clés dynamométriques « de cliquet » ne recherchent pas les conditions de serrage exagérées potentiellement dangereuses.  
Le glissement, le desserrage et/ou la chute pendant le fonctionnement des outils pneumatiques peuvent être une cause majeure de blessures ou de pertes en vies humaines. Faire attention à l'environnement et à tout excédent de tuyau laissé sur le chemin ou sur la plate-forme de travail.
- ⚠ Les outils pneumatiques peuvent causer des vibrations lorsqu'ils sont utilisés. Les vibrations, les mouvements répétitifs ou les positions inconfortables pendant de longues périodes peuvent présenter des dangers pour vos mains et vos bras. Utiliser l'outil de manière discontinue en cas de gêne, de sensation de picotements ou de douleurs. Consulter un médecin avant de reprendre le travail si l'un de ces symptômes se manifeste.
- ⚠ Ne pas étirer ou tendre le bras trop loin lors de l'utilisation du matériel.
- ⚠ Si l'outil ne fonctionne pas convenablement, mettez-le hors service immédiatement et prenez des mesures pour sa réparation.
- ⚠ Ne jamais utiliser l'outil si le contact avec des câbles électriques est possible.
- ⚠ Utiliser seulement les pièces de rechange certifiées par Sunex pour toute intervention sur l'outil. Les réparations doivent être effectuées uniquement par le personnel formé à cet effet.
- ⚠ Ne pas bloquer, condamner ou monter la vanne dans la position « marche/arrêt. Ne pas permettre le contact entre l'air vicié et les surfaces chaudes ou les flammes.
- ⚠ Utilisez seulement des douilles et des accessoires de clés à chocs avec cet outil. Évitez d'utiliser des douilles et des accessoires de clés à main, car cela pourrait les abîmer, endommager l'équipement ou vous causer des blessures.
- ⚠ **Éviter d'inspirer de la poussière ou de toucher des débris issus du travail, lesquels peuvent être dangereux pour la santé. Utilisez les procédés de dépoussiérage et les équipements respiratoires et de protection lorsque vous êtes en contact avec des substances qui produisent des particules en suspension dans l'air.**
- ⚠ Certaines particules solides créées par des activités liées au ponçage mécanique, au sciage, au broyage, au forage et à d'autres activités de construction contiennent des produits chimiques classés par l'Etat de Californie comme des causes de cancer, d'anomalies congénitales ou d'autres troubles de la reproduction. Au nombre de ces produits chimiques figurent :
  - le plomb provenant des peintures au plomb
  - parpaings, ciment et autres produits de maçonnerie contenant la silice cristalline
  - l'Arsenic et le chrome provenant du bois traité avec un produit chimiqueLes risques que vous courez lors de l'exposition à ces substances varient en fonction du nombre de fois où vous faites ce type de travail. Pour réduire votre exposition à ces substances chimiques : travaillez dans un local bien ventilé et revêtez des équipements de sécurité approuvés, tels que les masques anti-poussière conçus spécialement pour éliminer les particules microscopiques.
- ⚠ Ce produit peut contenir des produits chimiques reconnus par l'Etat de la Californie comme causant le cancer, des anomalies congénitales ou d'autres effets nuisibles sur la reproduction. *Se laver minutieusement les mains après avoir utilisé le produit.*

### Avertissements supplémentaires pour renforcer la sécurité

- ⚠ Ne pas modifier cet outil ou ses accessoires.
- ⚠ Ne pas lubrifier les outils avec des liquides inflammables ou volatils comme le kérosène, le diesel ou le carburant d'avion.
- ⚠ Évitez de forcer l'outil en l'utilisant au-delà de sa puissance nominale.
- ⚠ N'enlevez aucune étiquette. Remplacez toute étiquette abîmée.
- ⚠ Cet outil n'est pas conçu pour être utilisé dans une atmosphère explosive ou sous l'eau.
- ⚠ Les opérateurs et le personnel chargé de son entretien doivent avoir les ressources physiques nécessaires pour supporter le vrac, le poids et la puissance de cet outil.
- ⚠ Cet outil ne doit être utilisé que par des spécialistes en la matière.

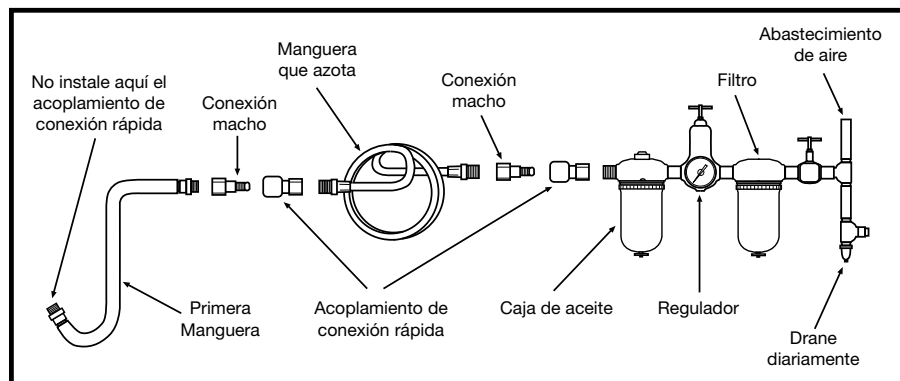
## Manual de instrucción

Este producto está diseñado para apretar o aflojar los sujetadores filetados. No se permite ningún otro uso.

### Los requerimientos del suministro de aire

La herramienta está diseñada para operarse a unas 90 psi (6.2 barras) a una velocidad libre, medida en la herramienta, de aire seco limpio. La operación de esta herramienta a altas presiones reducirá la vida útil de la herramienta en forma significativa y podría ocasionar lesiones.

La rosca de la entrada de aire en esta herramienta es de NPT 1/4" estándar. La presión de la línea debe aumentarse por cualquier manguera de una longitud anormalmente larga (mayor a 25 pies). El diámetro mínimo de manguera debe ser de un diámetro interior de 3/8" y todas las conexiones deben contar con el mismo diámetro interior. Consulte el diagrama a continuación por el ensamble adecuado del suministro de aire.



### Lubricación

Lubrique la herramienta cada día después del uso con aceite motor neumático de calidad SAE #10. Agregue el aceite a la entrada de aire o en la manguera en la conexión más cercana al suministro de aire, luego deje que la herramienta corra hasta que todo se purgue el aceite excesivo del escape. La cantidad total de aceite requerida para este procedimiento es de aproximadamente 1/2 onza.

### Utilisation

Cet outil est doté d'un système d'ajustement de la puissance, qui permet à l'utilisateur de régler la puissance pour la rotation en sens horaire (marche avant) et pour la rotation en sens antihoraire (marche arrière).

Pour un fonctionnement à pleine puissance en marche avant et en marche arrière : tourner les molettes de réglage de chaque côté de l'outil pour positionner leur rainure vis-à-vis le chiffre 5.

Pour un fonctionnement à puissance réduite en marche avant et à pleine puissance en marche arrière : tourner l'inverseur de rotation à fond en sens horaire (marche avant) et régler la molette vis-à-vis du chiffre désiré pour la rotation horaire. Lorsque l'inverseur de rotation est remis en position de rotation antihoraire, l'outil fonctionne à pleine puissance.

Pour un fonctionnement à pleine puissance en marche avant et à puissance réduite en marche arrière : tourner l'inverseur de rotation à fond en sens antihoraire (marche arrière) et régler la molette vis-à-vis du chiffre désiré pour la rotation antihoraire. Lorsque l'inverseur de rotation est remis en position de rotation horaire, l'outil fonctionne à pleine puissance.

Le système de réglage de la puissance est un système de référence et non de contrôle du couple. Cet outil est doté en plus d'une gâchette d'ajustement de la vitesse, qui permet à l'utilisateur de contrôler la puissance de l'outil lorsqu'il tourne en sens horaire.

Cette clé à impact est prévue des boulons USS de 1/2 po. Cette capacité doit être réduite pour les boulons en U à ressort, les boulons d'attache, les vis à chapeau longues, les écrous double profondeur, les dispositifs rouillés et les dispositifs à ressort car ils absorbent beaucoup de la force de l'impact. Quand c'est possible, serrez ou calez le boulon pour éviter l'effet de ressort.

Trempez les écrous rouillés dans l'huile pénétrante et brisez le joint de rouille avant de les enlever avec la clé à impact. Si l'écrou ne bouge pas au bout de trois à cinq secondes, utilisez une clé plus grosse. N'utilisez pas la clé à chocs au-delà de sa capacité nominale car cela réduira considérablement la vie de l'outil. Le robinet d'inversion sert à changer la rotation de l'outil. Quand le robinet est sortie, l'outil est en position horaire. Quand il est enfoncé, il tourne en sens inverse, sens antihoraire.

**NOTE:** Le couple de serrage réel sur le dispositif est directement relié à la force du joint, à la vitesse de l'outil, l'état de la douille et temps d'impact de l'outil. Posez la douille la plus simple sur l'outil. Chaque connexion absorbe de l'énergie et réduit la puissance.

## **GARANTIE LIMITÉE...**

### **SUNEX INTERNATIONAL, INC. GARANTI À SES CLIENTS QUE LES PRODUITS DE L'ENTREPRISE SUNEX TOOLS® SONT EXEMPTS DES DÉFAUTS DE MAIN-D'ŒUVRE ET DE MATÉRIAUX.**

Sunex International, Inc. réparera ou remplacera ses outils de marque Sunex Tools® qui ne donnent pas un service satisfaisant à cause d'un défaut de main d'œuvre ou de matériau, selon les termes et conditions décrits ci-dessous dans les plans de garantie correspondant à ce produit spécifique. Ce produit a une garantie de UN AN. Pendant la période de garantie, Sunex Tools® réparera ou remplacera, à sa seule discrétion, toute pièce ou tout appareil dont il a été déterminé qu'il comporte un défaut de matériau ou de main d'œuvre.

#### **Autres informations importantes sur la garantie...**

Cette garantie ne couvre pas les dommages à de l'équipement ou à des outils modifiés, sujets à des abus ou à une utilisation incorrecte, ou encore endommagés; elle ne couvre pas les réparations ou le remplacement effectué par quiconque autre que Sunex Tools® ou ses centres de services de garantie autorisés. L'obligation qui précède constitue la seule responsabilité de Sunex Tools® en vertu de cette garantie ou de toute garantie implicite; et en aucun cas Sunex Tools® ne pourra être responsable pour des dommages indirects ou consécutifs.

**Remarque :** Certaines juridictions ne permettent pas l'exclusion ou la limitation des dommages indirects ou consécutifs; la limitation ou l'exclusion ci-dessus pourrait donc ne pas s'appliquer à votre cas. Retourner l'équipement ou les pièces à Sunex Tools®, ou à un centre de service de garantie autorisé, port prépayé. S'assurer d'inclure votre nom, votre adresse, une preuve de la date d'achat et la description de la défaillance présumée. Veuillez adresser par écrit toutes vos questions sur le service de garantie à Sunex Tools®. Cette garantie donne à l'acheteur des droits juridiques spécifiques ainsi que certains autres droits qui peuvent varier selon la juridiction. Après échéance de la garantie de remplacement direct d'un an, certaines pièces de service seront disponibles à l'achat par l'entremise des options de services normaux de Sunex Tools®.

**ADRESSE D'EXPÉDITION:** Sunex Tools • 315 Hawkins Rd. • Travelers Rest, SC 29690

**ADRESSE POSTALE:** Sunex Tools • P.O. Box 1233 • Travelers Rest, SC 29690