

### PARTS BREAKDOWN/OPERATING MANUAL

#### **WARNING**

**FOR YOUR SAFETY AND TO PREVENT INJURY:**  
**High pressure hazard.**  
**Wear safety goggles.**  
**Do not exceed 60 psi with hose or 90 psi with solid extension.**  
**To do so may cause personal injury.**

The pistol-style, single shot Air Grease Gun is a specially designed, high quality, professional air tool for lubricating maintenance for transportation implements, agricultural machinery, industrial equipment, etc.

#### Features and Functions...

- Chrome-plated container tube and enamel-baked housing.
- Acute-angle design allows wide-angle operation in narrow space.
- Air vent valve allows trapped air in the tube to escape after filling with grease.
- Lightweight design for ease of operation.
- Two ways of grease loading available: cartridge loading (with standard 14 oz. grease cartridge) or suction filling.
- Trigger should be pressed firmly during operation.
- Add oil daily through air fitting before use.

#### Troubleshooting...

- If your gun fails to work, first check for air pockets in the gun. To remove trapped air, unscrew the gun head 1 to 1-1/2 turns and do as follows: Draw back plunger rod fully and release quickly. Repeat several times. Push plunger rod all the way in. Tighten the head to the barrel. Press air vent valve several times to expel the air.

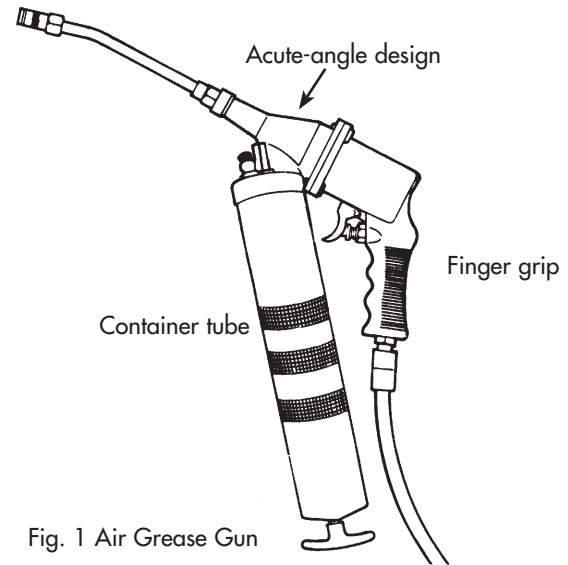


Fig. 1 Air Grease Gun

#### Instructions for Cartridge Loading...

(See Figure 3)

1. Remove the gun head from the container tube.
2. Completely draw back the plunger handle.
3. Insert open end of cartridge into container tube and push all the way in. Remove the seal or pull tab end from the cartridge.
4. Reassemble the gun head to the container tube. Press the catch plate and release the piston rod. Pull down the plunger handle.

#### Suction Filling...

(See Figure 4)

1. Remove the gun head from the container tube.
2. Submerge open end of the container tube into grease bucket about 2" deep and pull the plunger handle out slowly and engage rod into key slot.
3. Reassemble the gun head to the container tube. Press the catch plate and release the piston rod. Pull down the plunger handle.

Fig. 2

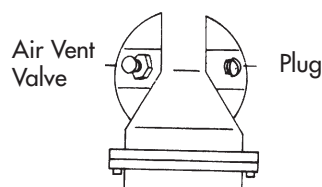
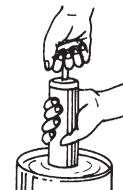


Fig. 3  
Cartridge Loading

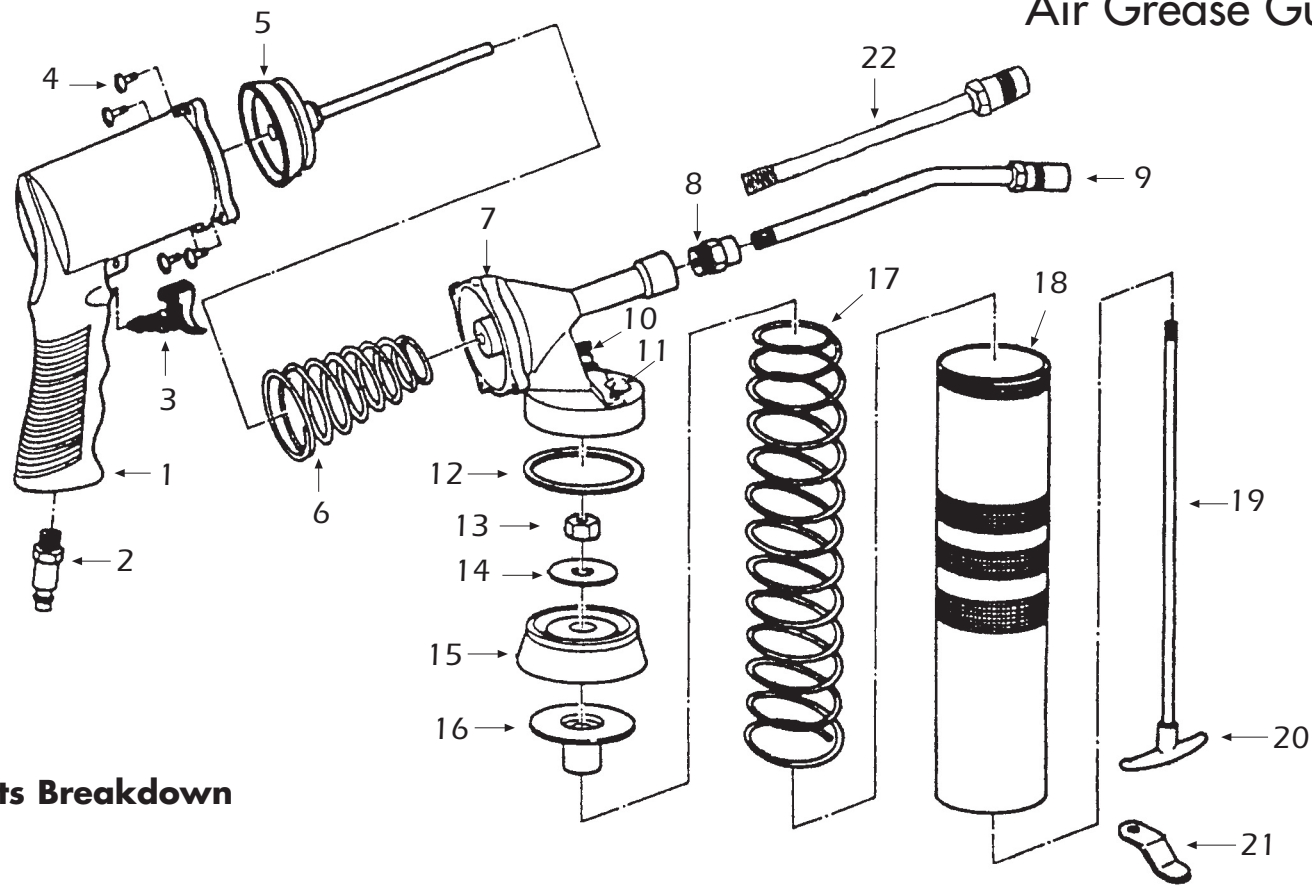


Fig. 4  
Suction Filling



# Model # 9011

## Air Grease Gun



### Parts Breakdown

Part No.	Description	QTY.
901101	Finger Grip	1
901102	Air Fitting	1
901103	Trigger	1
901104	Body Screw	4
901105	Air Plunger	1
901106	Short Spring Kit	1
901107	Housing Cap	1
901108	Adaptor	1
901109	Hexagonal Spout	1
901110	Air Vent Valve	1
901111	Plug	1
901112	Gasket	1
901113	Plunger Nut	1
901114	Plunger Washer	1
901115	Plunger	1
901116	Backlash Gasket	1
901117	Long Spring Kit	1
901118	Container Tube	1
901119	Piston Rod	1
901120	Plunger Handle	1
901121	Catch Plate	1
901122	Nylon Hose	1

### Sunex Tools – 1 Year Limited Warranty For Air Tools

Sunex Tools™ air tools excluding accessories are warranted against defects in materials or workmanship for a period of 1 year from original purchase. We will repair or replace at our option any defective part or unit which proves to be defective in material or workmanship within this warranty plan.

The foregoing obligation is Sunex's sole liability under this or any implied warranty and under no circumstances shall we be liable for any incidental or consequential damages.

**Note:** Some states do not allow the exclusion or limitation of incidental or consequential damages, so the above limitation or exclusion may not apply to you.

Naturally repairs required due to abuse, misuse, damage or repair attempts by others are not covered by this warranty.

Send tools requiring warranty repair to an authorized Sunex Tools warranty center, transportation prepaid. Be certain to include your name and address, evidence of the purchase date and description of the suspected defect.

If you have any questions about warranty service, please write to: Sunex Tools, P.O. Box 4215, Greenville, SC 29608.

This warranty gives you specific legal rights and you may also have other rights which vary from state to state.

**SUNEX TOOLS • 315 Hawkins Road  
Travelers Rest, SC 29690**