



INSTRUCTION MANUAL



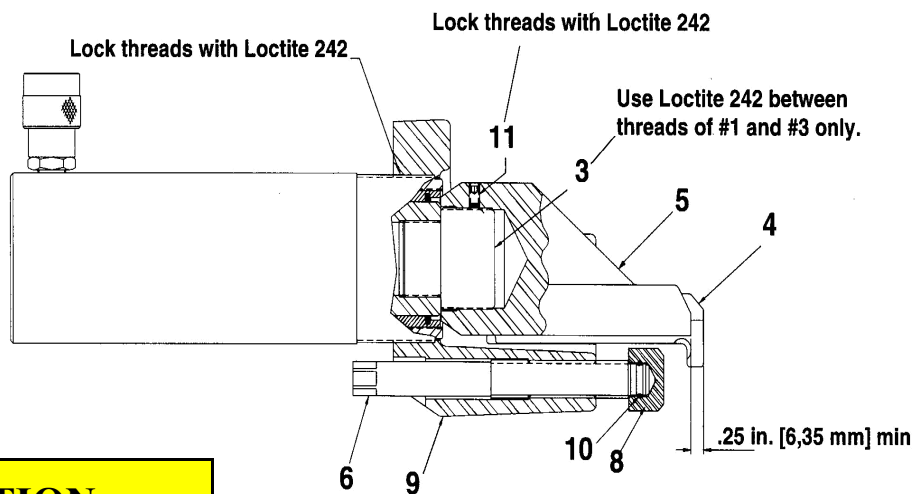
Model 11030

OTR 2000 Giant Tire Bead Breaker with 6" Stroke

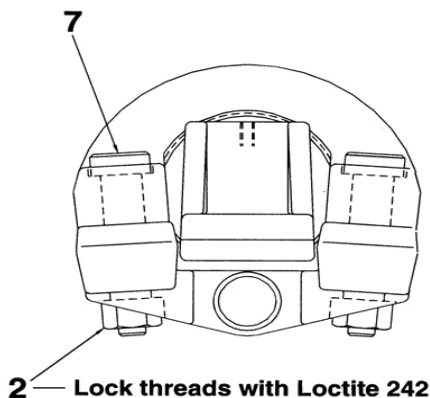


INSTRUCTION MANUAL

Parts List For OTR 2000 Giant Tire Bead Breaker with 6" Stroke Model 11030



CAUTION
The AME-11030 Bead Breaker, and all tire tools, should be used only by persons properly trained according to OSHA regulation #29CFR1910.177, "Servicing Single-Piece & Multi-Piece Wheels"



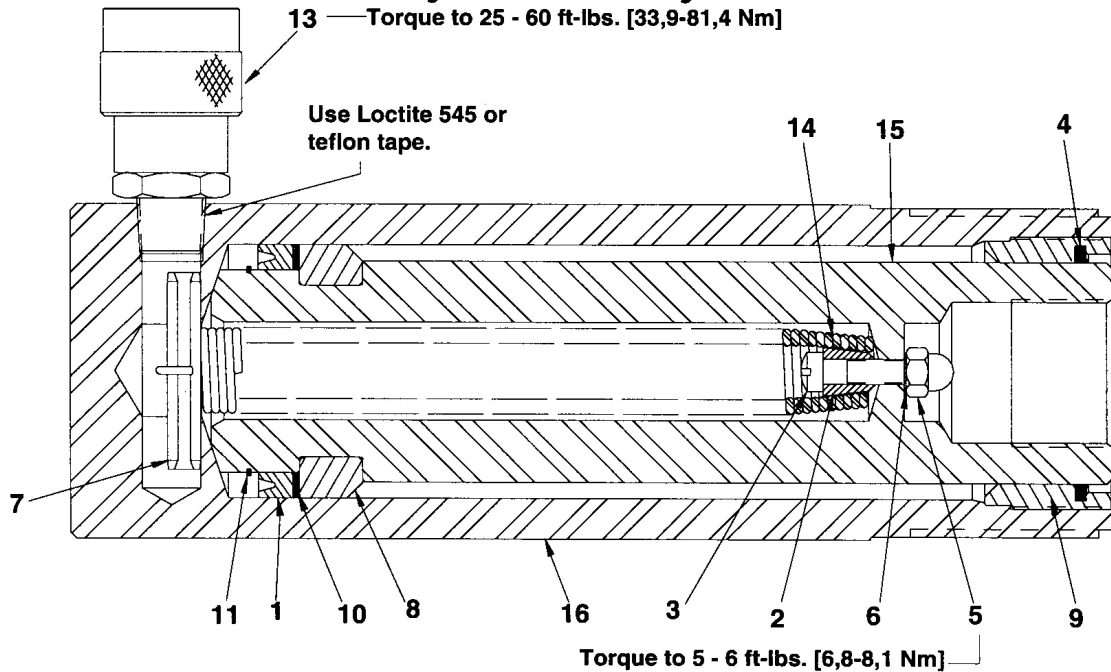
ITEM	PART	STOCK NO	QTY.	DESC.
2	11030-002	B1012122	2	Hex Nut
3	11030-003	DA12376038	1	Adapter Thread
4	11030-004	DA11663157	2	Hook
5	11030-005	DA11665040	1	Plunger
6	11000-005	DA11726027	1	Screw Set



INSTRUCTION MANUAL

Parts List For OTR 2000 Giant Tire Bead Breaker with 6" Stroke Model 11030

Cylinder Assembly



ITEM	PART #	STOCK NO.	QTY.	DESCRIPTION
12	11030-012	*CH800041	1	U-Cup
13	11030-013	F948209	1	Bushing
14	11030-014	B1014028	1	Screw
15	11030-015	*G731044	1	Wiper Ring
16	11030-016	G833055	1	Nut
17	11030-017	*G834167	1	Gasket
18	11030-018	B1157057	1	Pin
19	11030-019	G898107	1	Bearing

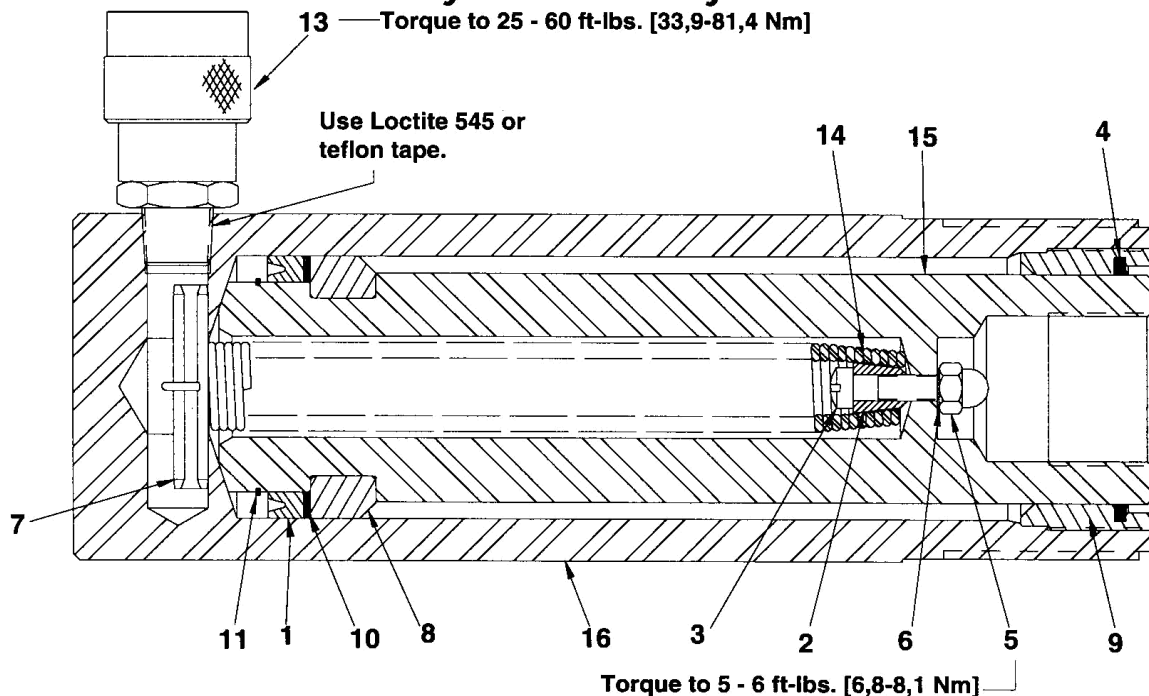
* Indicates parts available in Repair Kit 11030-RK



INSTRUCTION MANUAL

Parts List For OTR 2000 Giant Tire Bead Breaker with 6" Stroke Model 11030

Cylinder Assembly



ITEM	PART #	STOCK NO.	QTY.	DESCRIPTION
20	11030-020	G89044	1	Stop Ring
21	11030-021	*G907108	1	Washer
22	11030-022	*G908044	1	Retaining Ring
23	11030-023	16060	1	Female Coupler
24	11030-024	F937110	1	Spring
25	11030-025	G897040	1	Plunger
26	11030-026	BSG894005	1	Cylinder

2347 Circuit Way, Brooksville, Florida, USA 34604
 Phone: (+1) 352-799-1111 Toll Phone: (+1) 877-775-4AME (4263)
 Fax: (+1) 352-799-1112 E-mail: sales@ameintl.net www.ameintl.net