

OWNER'S MANUAL

CONTENTS:

Page	1	Specifications
	2	Warning Information
	3	Setup and Operating Instructions
	4	Preventative Maintenance, Troubleshooting and Warranty
	5	Exploded View Drawing and Replacement Parts
	6	Exploded View Drawing and Replacement Parts



SPECIFICATIONS

Capacity	22 Ton @ 100 PSI
Low Height	8.25"
Ram Travel	4.5"
Max. Height with Adapter	17.625"
Wheel Diameter	7.875"
Handle Length	50"
Shipping Weight.....	117 lbs.

WARNING INFORMATION



This is the safety alert symbol. It is used to alert you to potential personal injury hazards. Obey all safety messages that follow this symbol to avoid possible injury or death.

WARNING

WARNING: Indicates a hazardous situation which, if not avoided, could result in death or serious injury.



IMPORTANT: READ THESE INSTRUCTIONS BEFORE OPERATING

BEFORE USING THIS DEVICE, READ THIS MANUAL COMPLETELY AND THOROUGHLY, UNDERSTAND ITS OPERATING PROCEDURES, SAFETY WARNINGS AND MAINTENANCE REQUIREMENTS.

It is the responsibility of the owner to make sure all personnel read this manual prior to using the device. It is also the responsibility of the device owner to keep this manual intact and in a convenient location for all to see and read. If the manual or product labels are lost or not legible, contact Sunex for replacements. If the operator is not fluent in English, the product and safety instructions shall be read to and discussed with the operator in the operator's native language by the purchaser/owner or his designee, making sure that the operator comprehends its contents.

THE NATURE OF HAZARDOUS SITUATIONS

WARNING

The use of portable automotive lifting devices is subject to certain hazards that cannot be prevented by mechanical means, but only by the exercise of intelligence, care, and common sense. It is therefore essential to have owners and personnel involved in the use and operation of the equipment who are careful, competent, trained, and qualified in the safe operation of the equipment and its proper use. Examples of hazards are dropping, tipping or slipping of loads caused primarily by improperly securing loads, overloading, off-centered loads, use on other than hard level surfaces, and using equipment for a purpose for which it was not designed.

METHODS TO AVOID HAZARDOUS SITUATIONS

WARNING

- Read, study, understand and follow all instructions before operating this device.
- Inspect the jack before each use. Do not use jack if damaged, altered, modified, in poor condition, leaking hydraulic fluid, or unstable due to loose or missing hardware or parts. Make corrections before using.
- Lift only on areas of the vehicle as specified by the vehicle manufacturer.
- Wear eye protection that meets ANSI Z87.1 and OSHA standards.
- Do not use jack beyond its rated capacity.
- This is a lifting device only. Immediately after lifting, support the vehicle with jack stands capable of sustaining the load before working on the vehicle.
- Use only on a hard level surface.
- Center load on saddle. Be sure setup is stable before working on vehicle.
- Do not use any adapters unless approved or supplied by Sunex.
- Always lower the jack slowly and carefully.
- This product contains one or more chemicals known to the State of California to cause cancer and birth defects or other reproductive harm. *Wash hands thoroughly after handling.*
- Failure to heed these warnings may result in serious or fatal personal injury and/or property damage.

CONSEQUENCES OF NOT AVOIDING HAZARDOUS SITUATIONS

WARNING

Failure to read this manual completely and thoroughly, failure to understand its OPERATING INSTRUCTIONS, SAFETY WARNINGS, MAINTENANCE INSTRUCTIONS and comply with them, and failure to comply with the METHODS TO AVOID HAZARDOUS SITUATIONS could cause accidents resulting in serious or fatal personal injury and/or property damage.

OWNER'S MANUAL

SETUP

PLEASE REFER TO THE EXPLODED VIEW DRAWING IN THIS MANUAL IN ORDER TO IDENTIFY PARTS.

1. Remove the bolt (19) from under the handle yoke (21). Insert the handle tube (6) in the handle yoke (21) while simultaneously inserting the locking rod (18) in the handle yoke guide holes.
2. Raise the lock lever (11) on the handle assembly up so the locking rod does not have to come in contact with the handle yoke bracket. Rotate the release knob (1) at the top of the handle back and forth until you feel the bottom of the handle engage the release valve fitting (33) inside and at the bottom of the handle yoke.
3. Align the handle yoke hole that accepts the bolt with the receiving hole in the bottom of the handle. Once the holes are lined up, secure the handle to the handle yoke with the bolt (19) provided.
4. Move the handle assembly (6) up and down while simultaneously pushing down on the lock lever (11) until the locking rod engages one of the locating holes in the handle yoke bracket (22). There are three holes in the handle yoke bracket that are used to lock the handle in either a horizontal, angular or almost vertical position.
5. Install the quick disconnect (61) of your choice in the back of the air valve (4). The air valve and hose are equipped with a loop that secures them to the "L" shaped hook on the upper portion of the handle (6).
6. Secure the air valve and hose to the handle and connect a shop air line to the air valve.
7. Sometimes air gets trapped in the hydraulic system during shipment. An air bound hydraulic system feels spongy when pumped.

TO PURGE AIR FROM THE HYDRAULIC SYSTEM:

- a. Open the release valve by turning the knob (1) at the top of the handle in a counterclockwise direction two full turns from the closed position.
- b. Depress the air valve (72) for approximately 30 seconds.
- c. Close the release valve by turning the knob (1) in a clockwise direction until tight.
- d. Depress the air valve until the ram raises to maximum height.
- e. If the condition remains, repeat steps "a" through "d" until all the air is purged from the system.

OPERATING INSTRUCTIONS



This is the safety alert symbol used for the OPERATING INSTRUCTIONS section of this manual to alert you to potential personal injury hazards. Obey all instructions to avoid possible injury or death.

IMPORTANT: Before attempting to raise any vehicle, check vehicle service manual for recommended lifting surfaces.

1. Become familiar with the identification and function of the operating jack components.
 - a. The ram is the shaft that comes out of the jack when you depress the air valve and lifts the load.
 - b. The ram is equipped with an extension screw which can be unscrewed to extend from the ram if there is not enough hydraulic stroke to raise the load to the desired height. If additional height is required, extension adapters can be inserted in the hole on top of the extension screw.
 - c. Larger diameter saddles can be inserted in the extension screw when requiring a larger diameter saddle surface.
2. Chock the vehicle's tires that will not be lifted off the ground prior to lifting the vehicle and if available, apply the emergency brake or any other method of braking.
3. Position the jack at the designated lift point. Estimate the required ram travel to raise the vehicle to the desired height. If the desired vehicle height exceeds the entire ram travel, unscrew the extension screw to make up the difference and add an extension adapter if necessary.
4. Turn the knob at the top of the handle all the way in a clockwise direction until tight. Lock the handle in a position that will not interfere with the vehicle when raised or lowered. Keep the handle in that locked position until the work is completed and you are ready to remove the jack from use.
5. With the jack in the lowered position, push the jack under the vehicle. **IMPORTANT:** Use the vehicle manufacturer's recommended lifting procedures and lifting points before lifting loads.
6. In most cases 100 P.S.I. input air pressure (do not exceed 200 P.S.I.) will lift the maximum capacity load not to exceed 22 tons. Depress the air valve until the top of the ram comes close to the designated lift point. Make sure the designated lift point is flat, parallel to the ground and free from grease, any kind of lubricant, and debris. Proceed with pumping the jack in order to lift the vehicle to the desired height. During lifting, inspect the position of the jack in relation to the ground and the ram in relationship to the load to prevent any unstable conditions from developing. If conditions look like they are becoming unstable, slowly lower the load and make appropriate setup corrections after the load is fully lowered.
7. When the vehicle or load is lifted to its desired height, immediately place safety support stands (jack stands) in their designated locations and adjust the stands' support columns up as close to the designated vehicle support points as possible. Although jack stands are individually rated, they are to be used in a matched pair to support one end of the vehicle only. Stands are not to be used to simultaneously support both ends or one side of a vehicle. Slowly and carefully turn the release knob in a counterclockwise direction to gently lower the vehicle onto the safety support stands (jack stands). Make sure the vehicle is safely supported by the safety support stands' (jack stands) saddles and not the locating lugs of the saddles. Inspect the relationship of the safety support stands (jack stands) with the ground and the safety support stand (jack stand) columns and saddles with the vehicle to prevent any unstable conditions. If conditions look unstable, close the jack's release knob and depress the air valve to raise the vehicle off the safety support stands (jack stands). Make the appropriate setup changes and slowly and carefully lower the vehicle onto the safety support stand saddles.
8. After the work is done, close the release knob and depress the air valve until the jack is high enough to remove the vehicle or load from the safety support stand saddles. Be sure load is stable. If it is not, lower load back onto safety support stands. Make appropriate setup

corrections and repeat the step again. Remove the safety support stands from under the vehicle, being very careful not to move the vehicle.

9. Turn the release knob in a counterclockwise direction very slowly and carefully to lower the vehicle or load down to the ground.

PREVENTATIVE MAINTENANCE



This is the safety alert symbol used for the PREVENTATIVE MAINTENANCE section of this manual to alert you to potential personal injury hazards. Obey all instructions to avoid possible injury or death.

IMPORTANT: The number one cause of jack failure in air/hydraulic jacks is dirt and moisture in the air motor and/or hydraulic system. The shop air supply should be equipped with water and dirt filter traps that should be emptied or cleaned according to a monthly maintenance schedule. An in line oil lubricator will extend the life of air/hydraulic jacks. Inoperable jacks caused by poorly equipped or maintained shop air systems are not eligible for warranty consideration. Contaminants can also enter the air/hydraulic system when the shop air line is disconnected from the jack air line and the line is dropped on the floor. Contaminants in the air couplers, once reconnected, will be driven into the system.

1. Always store the jack in a well protected area where it will not be exposed to inclement weather, corrosive vapors, abrasive dust, or any other harmful elements. The jack must be cleaned of water, snow, sand or grit before using.
2. The jack must be lubricated periodically in order to prevent premature wearing of parts. A general purpose grease must be applied to the threads on the extension screw. Do not lubricate any portion of the lift saddle and make sure the saddle is free from grease, any kind of lubricant, or debris before using the jack. Jacks found to be defective due to worn parts resulting from inadequate or no lubrication are not eligible for warranty consideration.

IMPORTANT: Any jack found to be defective as a result of worn parts due to lack of lubrication or air/hydraulic system contaminated with water, rust and /or foreign materials from the air supply or other outside source is not eligible for warranty consideration.

3. It should not be necessary to refill or top off the reservoir with hydraulic fluid unless there is an external leak. An external leak requires immediate repair which must be performed in a dirt-free environment by qualified hydraulic repair personnel who are familiar with this equipment. Authorized Service Centers are recommended.

IMPORTANT: In order to prevent seal damage and jack failure, never use alcohol, hydraulic brake fluid, or transmission oil in the jack. Use Chevron Hydraulic Oil AW ISO 32 or its equivalent Unocal Unax AW 150.

4. Every jack owner is responsible for keeping the jack label clean and readable. Use a mild soap solution to wash external surfaces of the jack but not any moving hydraulic components.
5. Do not attempt to make any hydraulic repairs unless you are a qualified hydraulic repair person that is familiar with this equipment.
6. Any hydraulic repairs within the warranty period must be performed by an authorized service center.

TROUBLESHOOTING

PROBLEM	ACTION
1. Unit will not lift load.	Purge air from hydraulic system by following procedure under SETUP.
2. Unit will not sustain load or feels "spongy" under load.	Purge air from hydraulic system as above.
3. Unit will not lift to full height.	Purge air from hydraulic system as above or check oil level in reservoir.
4. Unit still does not operate.	Contact Sunex authorized hydraulic service center.

LIMITED WARRANTY

SUNEX INTERNATIONAL, INC. WARRANTS TO ITS CUSTOMERS THAT THE COMPANY'S SUNEX TOOLS® BRANDED PRODUCTS ARE FREE FROM DEFECTS IN WORKMANSHIP AND MATERIALS.

Sunex International, Inc. will repair or replace its Sunex Tools® branded products which fail to give satisfactory service due to defective workmanship or materials, based upon the terms and conditions of the following described warranty plans attributed to that specific product.

This product carries a ONE-YEAR warranty. During this warranty period, Sunex Tools will repair or replace at our option any part or unit which proves to be defective in material or workmanship.

Other important warranty information

This warranty does not cover damage to equipment or tools arising from alteration, abuse, misuse, damage and does not cover any repairs or replacement made by anyone other than Sunex Tools or its authorized warranty service centers. The foregoing obligation is Sunex Tools' sole liability under this or any implied warranty and under no circumstances shall we be liable for any incidental or consequential damages.

NOTE: Some states do not allow the exclusion or limitation of incidental or consequential damages, so the above limitation or exclusion may not apply to you.

Return equipment or parts to an authorized service center, transportation prepaid. Be certain to include your name and address, evidence of the purchase date, and description of the suspected defect. If you have any questions about warranty service, please write to Sunex Tools. This warranty gives you specific legal rights and you may also have other rights which vary from state to state.

Repair kits and replacement parts are available for many of Sunex Tools products regardless of whether or not the product is still covered by a warranty plan.

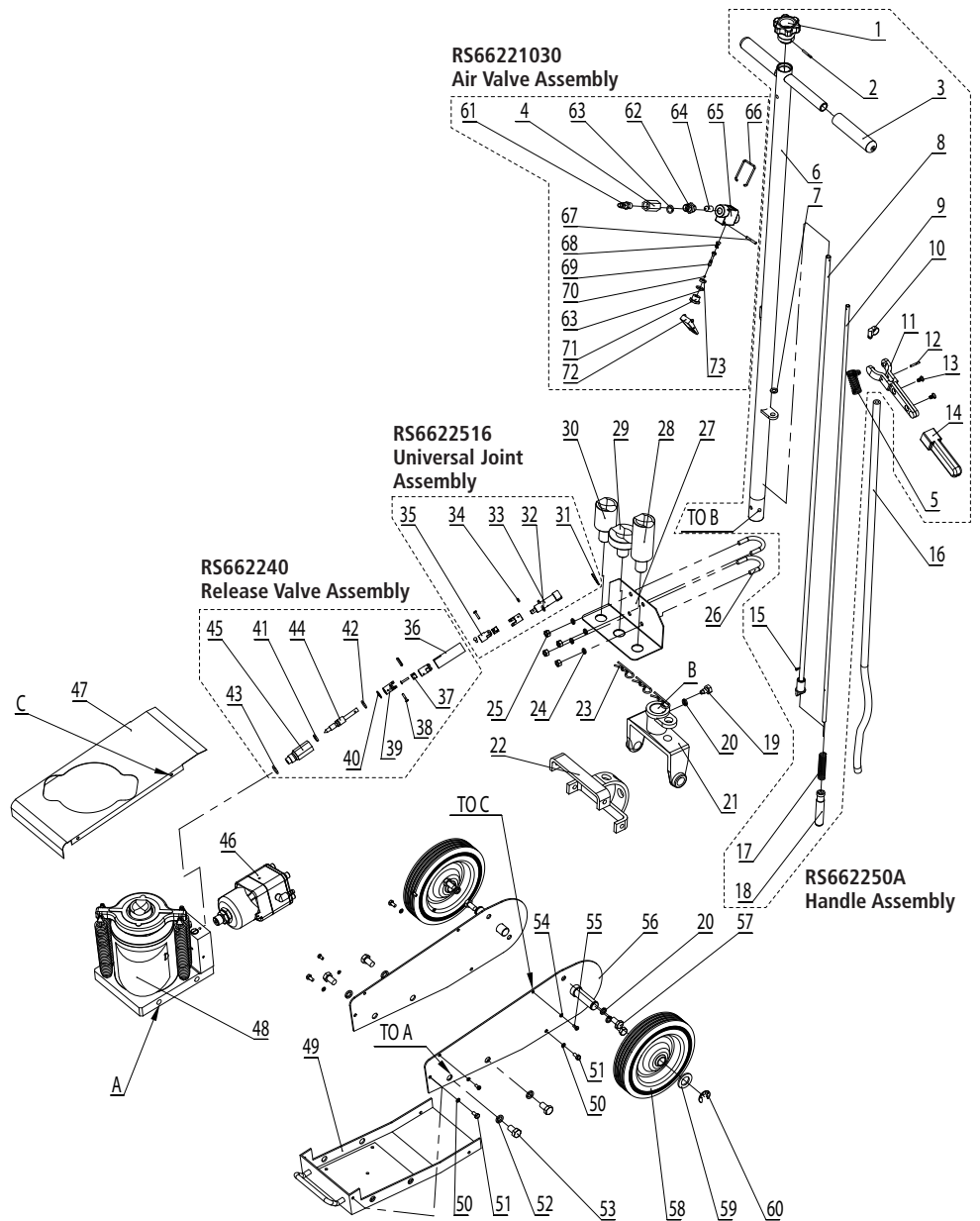
SHIPPING ADDRESS:

Sunex Tools
315 Hawkins Rd.
Travelers Rest, South Carolina 29690

MAILING ADDRESS:

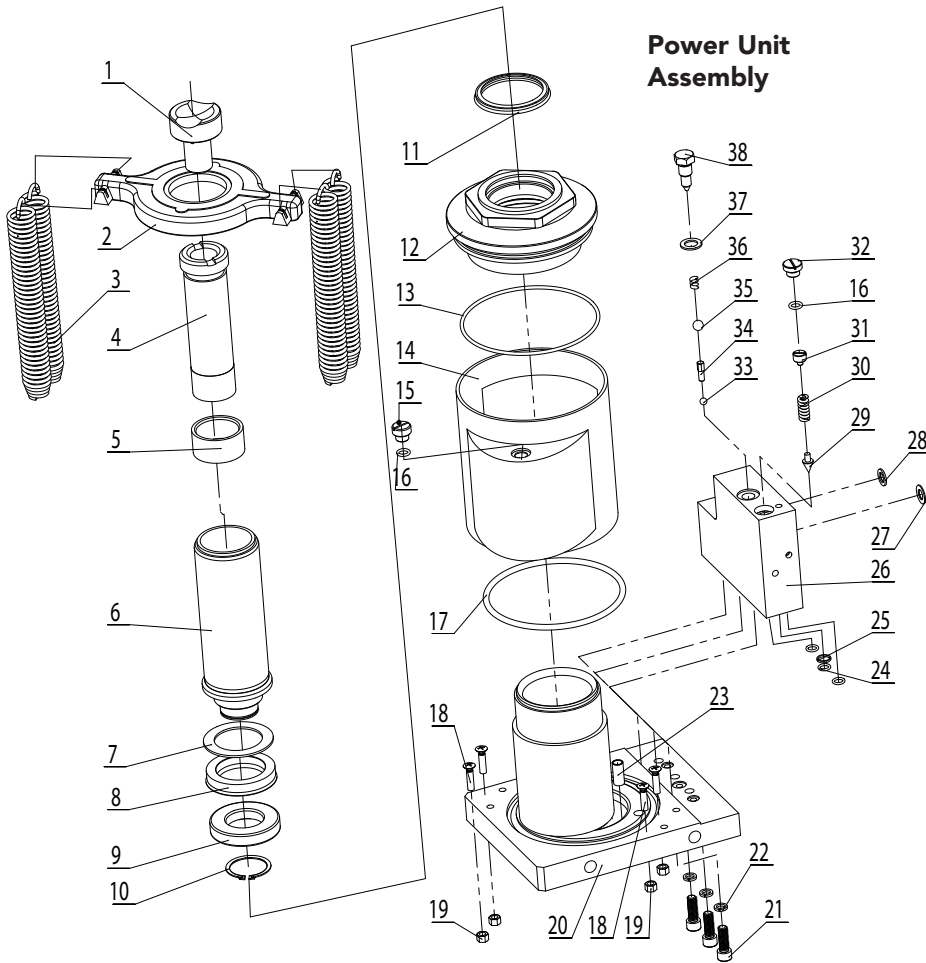
Sunex Tools
P.O. Box 1233
Travelers Rest, South Carolina 29690

Index#	Part#	Description	Qty.
1	RS662252	Knob	1
2		Spring Pin	1
3		Handle Cap	2
4	RS66221030	Air Valve Assembly (see drawing)	1
5		Spring	1
6	RS662250A	Handle Assembly (see drawing)	1
7		Washer	1
8		Stopper	1
9	RS662255	Stopper (incl. #9, 17, 18)	1
10		Hose Band	2
11		Lock Lever	1
12		Spring Pin	1
13		Screw	2
14		Handle Cap	1
15		Spring Pin	1
16	RS66221015	Air Hose	1
17		Spring	1
18		Stopper	1
19	RS6622512	Bolt (incl. #19, 20)	1
20		Spring Washer	5
21	RS6622511	Handle Yoke	1
22		Frame	1
23	*	Hitch Pin	3
24	*	Spring Washer	4
25	*	Bolt	4
26	*	U-Bolt	2
27	RS6622125	Holder Adaptor	1
28	RS6622124	Adaptor D (48mm x 100mm)	1
29	RS6622122	Adaptor B (48mm x 20mm)	1
30	RS6622123	Adaptor C (48mm x 60mm)	1
31		Washer	1
32		Spring Pin	1
33	RS6622516A	Universal Joint (incl. #31-35)	1
34		Spring Pin	2
35		Valve	2
36		Connecting	1
37		Connecting	2
38		Pin	4
39		Connecting	2
40		Snap Ring	1
41		Ring	1
42		Washer	1
43		Ring	1
44	RS662240	Valve Assembly (incl. #36-45)	1
45		Guide	1
46	RS662270	Air Pump Assembly	1
47	RS662266	Upper Cover	1
48		Power Unit Assembly	1
49		Lower Cover	1
50		Spring Washer	4
51		Bolt	4
52		Spring Washer	4
53		Bolt	4
54		Spring Washer	4
55		Machine Screw	4
56		Handle Fork Bracket	2
57		Bolt	4
58	RS662213	Wheel	2
59	RS662212	Washer	2
60	RS662214	Snap Ring	2
61		Connector	1
62		Connector	1
63		O-Ring	2
64		Air Hose	1
65		Valve Body	1
66		Lock Lever	1
67		Lever Pin	1
68		Spring	1
69		Throttle	1
70		O-Ring	1
71		Nut	1
72		Lever	1
73		Packing	1
74	RS6622LK	Product Label Kit (not shown)	1



Only Index #'s identified by Part # are available separately. * Available in Holder Bolt Kit, RSHDRBK

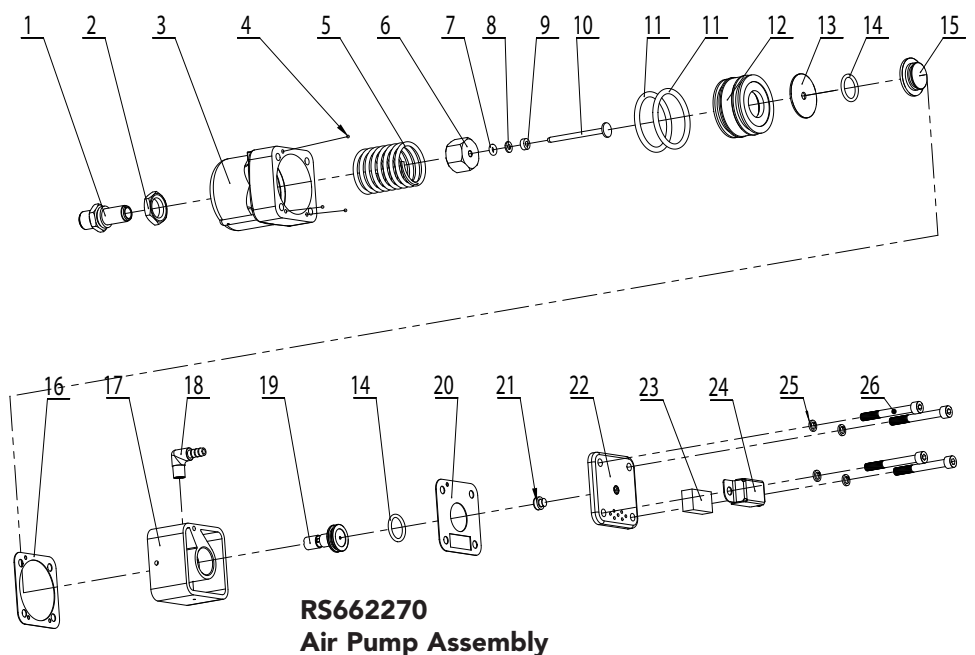
PARTS LIST



Index#	Part#	Description	Qty.
1	RS6622121	Adaptor A (68mm x 20mm)	1
2	RS6622222	Spring Hanger	1
3	RS6622221	Spring	4
4		Screw	1
5		Bush	1
6	RS662220	Piston Rod Assembly (incl. #4-10)	1
7	*	Back-Ring	1
8	*	Packing	1
9		Packing Retainer	1
10		Snap Ring	1
11	*	Oil Seal	1
12		Nut	1
13	*	O-Ring	1
14		Oil Tank	1
15	RS6622227	Breathing Screw	1
16	*	Packing	2
17	*	O-Ring	1
18		Machine Screw	4
19		Nut	4
20	RS662228	Cylinder	1
21		Bolt	3
22		Spring Washer	3
23	*	Oil Strainer	1
24	*	O-Ring	3
25	*	Backup Ring	1
26		Oil Box	1
27		Washer	1
28		Washer	1
29	*	Safety Valve	1
30	*	Spring	1
31	*	Spring Retainer	1
32		Bolt	1
33	*	Steel Ball	1
34	*	Separator	1
35	*	Steel Ball	1
36	*	Spring	1
37	*	Copper Packing	1
38		Bush	1

* Available in RS6622HRK. Only Index #'s identified by Part # are available separately.

Index#	Part#	Description	Qty.
1	RS662281	Plunger Cover	1
2		Nut	1
3		Air Pump Body	1
4	*	Ball	3
5		Spring	1
6		Nut	1
7	*	O-Ring	1
8	*	NL Retainer	1
9	*	Packing Guide	1
10		Plunger	1
11	*	O-Ring	2
12		Piston	1
13		Washer	1
14	*	O-Ring	2
15		Retainer	1
16	*	Packing Washer	1
17		Muffler Cover	1
18		Pipe Joint	1
19		Valve Rod	1
20	*	Packing Washer	1
21	*	Rubber Pad	1
22		Cover	1
23	*	Filter Element	1
24		Filter Cover	1
25		Spring Washer	4
26		Hex Socket Screw	4



RS662270
Air Pump Assembly

* Available in RS6622AMK. Only Index #'s identified by Part # are available separately.

MANUAL DE OPERACIÓN

CONTENIDO:

Página	7	Especificaciones
	8	Información de advertencia
	9	Ensamble y Operación
	10	Mantenimiento preventivo y diagnóstico de averías
	11	Information de garantie



ESPECIFICACIONES

Capacidad	22 Ton @ 100 PSI
Altura baja	8.25"
Viaje del pistón	4.5"
Altura máx. con adaptador	17.625"
Diámetro de la rueda	7.875"
Longitud de manivela	50"
Peso de embarque	117 lbs.

INFORMACIÓN DE ADVERTENCIA



Este símbolo indica una alerta de seguridad y se usa para advertir sobre peligro de accidentes personales. Observe toda la información de seguridad que sigue a este símbolo para evitar la posibilidad de que ocurran lesiones o muerte.

⚠ ADVERTENCIA

ADVERTENCIA: Indica una situación peligrosa que si no se evita, puede provocar la muerte o lesiones graves.



IMPORTANTE: LEA ESTAS INSTRUCCIONES ANTES DE USAR EL DISPOSITIVO

ANTES DE USAR ESTE DISPOSITIVO, LEA ESTE MANUAL DETENIDAMENTE. PROCURE ENTENDER SUS PROCEDIMIENTOS OPERATIVOS, ADVERTENCIAS DE SEGURIDAD Y FORMA DE MANTENIMIENTO.

El propietario es responsable de asegurarse de que todo el personal lea este manual antes de usar el dispositivo. Asimismo, es responsabilidad del propietario mantener este manual en buenas condiciones en una ubicación conveniente para su consulta. Si las etiquetas del manual o producto son ilegibles o no están en su lugar, deberá ponerse en contacto con Sunex para obtenerlas gratis. El comprador/propietario o una persona designada deberá leer y comentar el producto y las advertencias de seguridad en la lengua materna del operario que no hable inglés fluido, a fin de asegurarse de que comprende el contenido.

NATURALEZA DE LAS SITUACIONES DE RIESGO

⚠ ADVERTENCIA

El uso de dispositivos de bomba de pie neumática/ hidráulica se halla sujeto a ciertos riesgos que no se pueden prever por medios mecánicos, sino por la información, la diligencia y el sentido común. Por lo tanto, es esencial Si no se siguen las instrucciones, se podrían ocasionar peligros, tales como la ruptura del fluido hidráulico presurizado de las mangueras o acoplamientos, así ocasionando la pérdida de carga, la bajada no controlada o la caída de la carga. Las inclinaciones o resbalones de la carga son ocasionados mayormente por el ensamble inadecuado y la sobrecarga y se pueden dar las cargas no centradas si no se siguen las instrucciones.

FORMAS DE EVITAR LAS SITUACIONES DE RIESGO

⚠ ADVERTENCIA

- Lea, estudie, comprenda y observe todas las instrucciones antes de operar este dispositivo.
- Verifique el gato antes de usarlo. No lo use si tiene roturas, alteraciones, fugas de líquido hidráulico o está en malas condiciones, como tampoco si presenta inestabilidad debido a piezas metálicas o partes desajustadas o faltantes. Tome las medidas de corrección apropiadas antes de usarlo.
- Utilice el dispositivo de elevación únicamente en las áreas del vehículo especificadas por su fabricante.
- Use protección para los ojos que cumpla con las normas ANSI Z87.1 y OSHA.
- No use el gato para elevar pesos superiores a su capacidad.
- Este dispositivo se debe utilizar únicamente para levantar cargas. No bien haya elevado la carga, sujete el vehículo con torres que tengan la capacidad para sostenerlo antes de comenzar a trabajar.
- Use solo en una superficie dura y nivelada.
- Centre la carga en el asiento. Asegúrese de que el armado del dispositivo sea estable antes de comenzar a trabajar.
- No use adaptadores a menos que Sunex los haya aprobado o suministrado.
- Baje el gato siempre despacio y con cuidado.
- Este producto contiene sustancias químicas consideradas por el Estado de California como causantes de cáncer, de malformaciones congénitas u otros daños en el sistema reproductivo. *Lávese bien las manos después de manipular el producto.*
- No cumplir con estas indicaciones puede provocar lesiones graves o peligro de muerte, así como daños materiales.

CONSECUENCIAS DE NO PREVENIR LAS SITUACIONES DE RIESGO

⚠ ADVERTENCIA

No leer, comprender u observar todo el contenido de este manual en relación con sus INSTRUCCIONES DE USO, ADVERTENCIAS DE SEGURIDAD y FORMA DE MANTENIMIENTO, así como desatender las FORMAS DE EVITAR LAS SITUACIONES DE RIESGO, puede provocar accidentes que tengan como consecuencia lesiones graves, peligro de muerte o daños materiales.

MANUAL DE OPERACIÓN

MONTAJE

CONSULTE POR FAVOR EL DIBUJO DE VISTA EN DETALLE EN ESTE MANUAL PARA IDENTIFICAR LAS PARTES.

1. Extraiga el perno de debajo de la brida del mango. Inserte el tubo del mango en la brida del mango al mismo tiempo que se inserte simultáneamente la barra de seguridad en los agujeros directrices de la brida del mango.
2. Eleve la palanca de seguridad en el conjunto del mango con el fin de que la barra de seguridad no tenga contacto con la ménsula de la brida del mango. Gire la perilla de liberación en la parte superior del mango hacia adelante y atrás hasta que se sienta que el fondo del mango se encaja con el acoplamiento de la válvula de liberación al interior y al fondo de la brida del mango.
3. Alinee el agujero de la brida del mango, el que acepta el perno con el agujero receptor en el fondo del mango. Una vez que los agujeros estén alineados, sujete el mango a la brida del mango con el perno provisto.
4. Mueva el conjunto del mango hacia arriba y hacia abajo al mismo tiempo que simultáneamente se empuja hacia abajo sobre la palanca de seguridad, hasta que la barra de seguridad se encaje en uno de los agujeros de ubicación en la ménsula de la brida del mango. Hay tres agujeros en la ménsula de la brida del mango que se usan para bloquear el mango en una posición horizontal, angular o casi vertical.
5. Instale la desconexión rápida de su preferencia en la parte posterior de la válvula de aire. La válvula de aire y la manguera vienen equipadas con un aro, el que los sujete al gancho en forma de "L" en la parte superior del mango.
6. Sujete la válvula de aire y la manguera al mango y conecte una línea de aire de taller a la válvula de aire.
7. A veces se atrapa aire en el sistema hidráulico durante el envío. Un sistema hidráulico de entrada de aire se siente esponjoso al momento de bombearlo.

PURGANDO AIRE DEL SISTEMA HIDRÁULICO

- a. Abra la válvula de liberación al girar la perilla en la parte superior de la manivela en el contrasentido de las agujas del reloj dos vueltas completas de la posición cerrada.
- b. Oprima la válvula de aire por aproximadamente 30 segundos.
- c. Abra la válvula de liberación para retractar el pistón.
- d. Cierre la válvula de liberación al girar la perilla en el sentido de las agujas del reloj hasta que esté apretada.
- e. Pulse la válvula de aire hasta que el pistón se eleve a su máxima altura.
- f. Si la condición persista, repita los pasos, "a" al "e" hasta que se purgue todo el aire del sistema.

INSTRUCCIONES DE USO



Este símbolo indica una alerta de seguridad y se utiliza en la parte de este manual que versa sobre las INSTRUCCIONES DE USO, con el fin de advertir sobre los peligros de accidentes personales. Observe todas las instrucciones para evitar lesiones o peligros de muerte. **IMPORTANTE:** antes de comenzar a elevar un vehículo, consulte su manual de servicio para conocer las superficies de elevación recomendadas.

FORMA DE USO:

1. Familiarícese con la identificación y función de los componentes del gato.
 - a. El pistón es el eje que sale del gato cuando se pulse la válvula de aire y se levanta la carga.
 - b. El pistón viene equipado con un tornillo de extensión, lo cual puede destornillarse para extenderse del pistón si no haya suficiente recorrido hidráulico para elevar la carga hasta la altura deseada. Si se requiere altura adicional, los adaptadores de extensión pueden insertarse en el agujero en la parte superior del tornillo de extensión.
 - c. Las sillas de diámetro más grande pueden ser insertadas en el tornillo de extensión cuando se requiera una superficie de silla de diámetro más grande.
2. Calce las llantas del vehículo las que no serán levantadas del piso, antes de levantar el vehículo y si es disponible, active el freno de emergencias o cualquier otro método de frenaje.
3. Coloque el gato en el punto de levantamiento designado. Calcule el recorrido requerido del pistón para levantar el vehículo hasta la altura deseada. Si la altura deseada del vehículo exceda el recorrido completo del pistón, desatornille el tornillo de extensión para completar la diferencia y agregue un adaptador de extensión si sea necesario.
4. Gire la perilla en la parte superior de la manivela completamente en el sentido de las agujas del reloj hasta que esté apretada. Bloquee la manivela en una posición la que no interfiera con el vehículo cuando éste se levante o se baje. Mantenga la manivela en la posición bloqueada hasta que el trabajo esté completado y usted está listo para dejar de usar el gato.
5. Con el gato en su posición baja, empuje el gato debajo del vehículo. **IMPORTANTE:** Use los procedimientos y puntos de levantamiento recomendados por parte del fabricante del vehículo antes de levantar cualquier carga.
6. En la mayoría de los casos unas 100 P.S.I. de presión de aire de entrada (no exceda las 200 P.S.I.) levantará una carga de máxima capacidad, para

no exceder las 20 toneladas. Pulse la válvula de aire hasta que la parte superior del pistón se acerque al punto designado de levantamiento. Asegúrese que el punto designado de levantamiento esté plano, paralelo al piso y libre de grasa, cualquier lubricante y escombros. Proceda con el bombeo del gato con el fin de levantar el vehículo hasta la altura deseada. Durante el levantamiento, inspeccione la posición del gato con relación al piso y el pistón con relación a la carga para prevenir que se desarrolle cualquier condición inestable. Si las condiciones aparentan inestables, baje la carga y realice las correcciones de montaje adecuadas después de que se baje la carga completamente.

7. Cuando se eleva un vehículo o carga hasta su altura deseada, inmediatamente coloque los soportes de seguridad (las bases del gato en sus lugares designado y ajuste las columnas de soporte de las bases lo más cercano posible a los puntos de soporte designados del vehículo. Aunque las bases del gato estén clasificadas individualmente, éstas pueden usarse en un par emparejado para soportar solo un extremo del vehículo. Las bases no están destinadas para usarse para simultáneamente soportar ambos extremos o un lado del vehículo. Lentamente y de forma cuidadosa, gire la perilla de liberación en el contrasentido de las agujas del reloj para bajar el vehículo suavemente a las bases de soporte (bases del gato). Asegúrese que el vehículo esté soportado seguramente por las sillas de las bases de soporte de seguridad (bases del gato) y no por las agarraderas de ubicación de las sillas. Inspeccione la relación entre las bases de soporte de seguridad (las bases del gato) y el piso y la base de las columnas y las sillas de soporte de seguridad (la base de gato) con el vehículo para prevenir cualquier condición inestable. Si las condiciones aparentan ser inestables, cierre la perilla de liberación del gato y pulse la válvula de liberación para levantar el vehículo de las bases de soporte de seguridad (las bases del gato). Asegúrese de los cambios adecuados de montaje y lentamente y de forma cuidadosa baje el vehículo sobre las sillas de soporte de seguridad de la base.
8. Después de que se termine el trabajo, cierre la perilla de liberación y pulse la válvula de aire hasta que el gato esté lo suficientemente elevado para quitar el vehículo o carga de las sillas de soporte de seguridad de la base. Asegúrese que la carga esté estable. Si no la está, baje la carga nuevamente sobre los soportes de seguridad. Realice las correcciones adecuadas de montaje y repita los pasos de nuevo. Quite las bases de soporte de seguridad por debajo del vehículo, siendo muy cuidadoso de no mover el vehículo.
9. Gire la perilla de liberación muy lentamente y de forma cuidadosa en el contrasentido de las agujas del reloj para bajar el vehículo o carga hasta el piso.

MANTENIMIENTO DE SEGURIDAD



Este símbolo indica una alerta de seguridad y se utiliza en la parte de este manual que versa sobre el MANTENIMIENTO DE SEGURIDAD, con el fin de advertir sobre los peligros de accidentes personales. Observe todas las instrucciones para evitar lesiones o peligros de muerte.

IMPORTANTE: Cualquier gato que se encuentre ser defectuoso como resultado de partes desgastadas debido a una falta de lubricación o un sistema hidráulico/neumático contaminado con agua, corrosión, y/o partículas extrañas provenientes del suministro de aire u otra fuente externa no es elegible para consideraciones de garantía.

1. Siempre guarde el gato en un área protegida, en donde no quede expuesto a las condiciones climáticas, gases corrosivos, sustancias abrasivas u otros materiales perjudiciales. Antes de usar, compruebe que el gato no contenga restos de agua, nieve, arena o arcilla.
2. El gato se debe lubricar en forma periódica a fin de prevenir el desgaste prematuro de sus partes. Se debe aplicar grasa de uso general en todas las articulaciones, las ruedas pivotantes y del eje delantero, el brazo elevador, los pernos pivotantes de la base de la palanca, el sistema de seguridad y las demás superficies de apoyo. Cualquier gato que se encuentra defectuoso como resultado de contaminantes extraños en el sistema hidráulico no es elegible para consideraciones de garantía.
3. No será necesario rellenar o rellenar hasta el tope el recipiente con el fluido hidráulico, al menos que haya una fuga externa. Una fuga externa requiere la reparación inmediata la cual debe realizarse en un ambiente libre de suciedad por parte de personal calificado en las reparaciones hidráulicas y quienes estén familiarizados con este equipo. Se recomiendan los centros de servicio autorizados. **IMPORTANTE:** Con el fin de prevenir daños al sello y la falla de gato, nunca use alcohol, líquido de freno hidráulico ni aceite para transmisiones en el gato. Use aceite hidráulico AW ISO 32 de Chevron o su equivalente Unocal Unax AW 150.
4. El propietario del gato es responsable de mantener sus etiquetas en buen estado de conservación. Use una solución jabonosa suave para lavar el exterior del gato, sin aplicarla a ninguna de las partes del sistema hidráulico.
5. No repare el sistema hidráulico a menos que sea un técnico calificado que conozca el funcionamiento de este dispositivo.

DIAGNÓSTICO DE AVERÍAS

PROBLEMA	ACCIÓN
1.El equipo no levantará la carga.	Expulsa el aire del sistema hidráulico al seguir el procedimiento bajo LAS INSTRUCCIONES DE OPERACIÓN
2. El equipo no sostendrá la carga o se siente	Expulsa el aire del sistema hidráulico como indicado anteriormente. esponjoso bajo la carga.
3. El equipo no levantará la carga hasta la altura normal.	Purgue el aire del sistema hidráulico según lo anterior o revise el nivel de aceite en el recipiente.
4. El equipo aún no funciona.	Comuníquese con un centro de servicio hidráulico autorizado de Sunex.

GARANTÍA LIMITADA:

SUNEX INTERNATIONAL, INC., LE GARANTIZA A SUS CLIENTES QUE LAS HERRAMIENTAS Y PRODUCTOS CON LA MARCA DE LA EMPRESA SUNEX TOOLS® NO CONTIENEN DEFECTOS EN SU MANO DE OBRA NI MATERIAS PRIMAS.

Sunex International, Inc., reparará o sustituirá sus productos con la marca Sunex Tools® que reflejen fallas en el funcionamiento satisfactorio debido a que la mano de obra o las materias primas estén defectuosas, tomando como base las cláusulas y condiciones de los planes de garantía descritos a continuación y asignados a ese producto específico. Este producto tiene una garantía de UN AÑO. Durante este periodo de garantía, Sunex Tools® reparará o repondrá, a nuestra opción, cualquier parte o unidad la cual demuestra ser defectuosa en cuanto a material o mano de obra.

Otra importante información de la garantía:

Esta garantía no cubre daños a equipo o herramientas debido a modificaciones, abuso, mal uso o daños y no cubre ninguna reparación o sustitución hecha por ninguna persona que no sea Sunex Tools® o alguno de sus centros de servicio de garantía autorizados. La obligación antes mencionada queda bajo la responsabilidad exclusiva de Sunex Tools® según se menciona o de cualquier garantía implícita y bajo ninguna circunstancia quedará bajo su responsabilidad cualquier garantía implícita ya bajo ninguna circunstancia quedará bajo su responsabilidad cualquier daño incidental o consecuencial.

NOTA: Algunos estados no permiten la exclusión ni limitación de daños. Devuelva el equipo o partes a un centro de servicio autorizado, con el flete prepagado. Asegúrese de incluir su nombre y dirección, comprobación de la fecha de compra, y la descripción del defecto sospechado. Si usted tiene alguna pregunta acerca del servicio de garantía, escriba por favor a Sunex Tools®. Esta garantía le brinda derechos legales específicos y usted puede contar con derechos adicionales los cuales varían de estado a estado. Están disponibles equipos de reparación y partes de sustitución para muchos de los productos de Sunex Tools®, independientemente del hecho de que el producto aún esté cubierto o no por un plan de garantía

DIRECCIÓN A EMBARCARSE:

Sunex Tools
315 Hawkins Rd.
Travelers Rest, South Carolina 29690

DIRECCIÓN DE CORREOS:

Sunex Tools
P.O. Box 1233
Travelers Rest, South Carolina 29690

MANUEL D'OPÉRATION

CONTENU:

- Page 12 Spécifications
- 13 Information d'avertissement
- 14 Installation et consignes d'utilisation
- 15 Entretien et dépannage préventifs
- 16 Information de garantie



SPÉCIFICATIONS

Capacité	22 Ton @ 100 PSI
Hauteur	8.25"
Taille du piston	4.5"
Hauteur maximale avec adaptateur	17.625"
Diamètre de la roue	7.875"
Longitude de la manivelle	50"
Poids du moteur	117 lbs.

INFORMATION D' AVERTISSEMENT



Ce symbole indique un danger potentiel. Il est utilisé pour avertir l'utilisateur des risques potentiels de blessures corporelles. Prière de respecter toutes les consignes de sécurité qui suivent ce symbole afin d'éviter les blessures ou la mort potentielles.

AVERTISSEMENT

AVERTISSEMENT : Ce symbole indique une situation dangereuse qui pourrait causer la mort ou des blessures graves si elle n'est pas évitée.



IMPORTANT : LIRE CES CONSIGNES AVANT L'UTILISATION.

PRIÈRE DE LIRE CES CONSIGNES ATTENTIVEMENT ET DE S'ASSURER DE BIEN COMPRENDRE LES PROCÉDURES D'UTILISATION, LES AVERTISSEMENTS DE SÉCURITÉ ET LES BESOINS EN MATIÈRE D'ENTRETIEN DE L'OUTIL AVANT DE L'UTILISER.

Le propriétaire doit s'assurer que tous les employés lisent ce manuel avant d'utiliser l'outil. Le propriétaire de l'outil doit aussi maintenir ce manuel en bon état et le ranger dans un endroit facilement accessible à tous ceux qui doivent le lire. Si le manuel ou les étiquettes de l'outil sont perdus ou illisibles, communiquer avec Sunex pour obtenir un remplacement. Si l'utilisateur ne parle pas couramment le français, les consignes de sécurité et le mode d'emploi de l'outil devront lui être lues à haute voix et être discutées avec l'utilisateur, dans sa langue maternelle, par le propriétaire/acheteur ou une personne désignée, afin d'assurer que l'utilisateur en comprenne bien le contenu.

LE TYPE DE SITUATIONS DANGEREUSES

AVERTISSEMENT

L'utilisation de dispositifs de levage portatifs pour automobiles expose l'utilisateur à certains dangers qui ne peuvent pas être évités par des moyens mécaniques, mais seulement en faisant preuve d'intelligence, d'attention et de bon sens. Il est donc essentiel que les propriétaires et les employés qui utiliseront ce dispositif soient prudents, compétents, qualifiés et formés à l'utilisation sécuritaire de l'équipement. Des exemples de dangers comprennent le renversement, le glissement ou la chute soudaine de la charge. Ces dangers sont principalement imputables à une charge mal répartie, une utilisation sur une surface meuble ou inclinée, ou une utilisation à des fins autres que celles pour lesquelles le dispositif a été conçu.

LE TYPE DE SITUATIONS DANGEREUSES

AVERTISSEMENT

- Lire, étudier, comprendre et suivre toutes les instructions avant de faire fonctionner ce dispositif.
- Inspectez le vérin de levage avant chaque utilisation. N'utilisez pas le vérin de levage si endommagé, altéré, modifié, en mauvais état, perte d'air, ou instable dû à des pièces ou de la quincaillerie manquantes ou desserrées. Faites les corrections avant l'utilisation.
- Soulevez et soutenez seulement les endroits du véhicule comme spécifié par le fabricant de véhicules.
- Portez une protection oculaire qui répond aux normes ANSI Z87.1 et de l'OSHA.
- N'utilisez pas le vérin de levage au-delà de la capacité évaluée.
- Ceci n'est qu'un dispositif de levage. Immédiatement après le levage, maintenir le véhicule avec les plateformes du cric qui sont capables de supporter la charge avant de travailler sur le véhicule.
- Ne l'utilisez que sur une surface plate et solide.
- Centrer la charge sur la selle. S'assurer que la plateforme est stable avant de travailler sur le véhicule.
- Ne pas utiliser d'adaptateurs de selle ou des extenseurs de selle entre la selle de levage et la charge.
- Ne pas utiliser d'adaptateurs sauf s'ils sont approuvés ou fournis par Sunex®.
- Le manquement d'observer ces inscriptions peut avoir comme conséquence des blessures sérieuses ou mortelles et/ou des dégâts matériels.

MÉTHODES POUR ÉVITER LES SITUATIONS DANGEREUSES

AVERTISSEMENT

Le manquement de lire ce manuel complètement et avec attention et l'incompréhension des CONSIGNES D'UTILISATION, AVERTISSEMENTS DE SÉCURITÉ, INSTRUCTIONS D'ENTRETIEN et de se conformer à elles, et en négligeant les MÉTHODES POUR ÉVITER DES SITUATIONS DANGEREUSES peut causer des accidents ayant comme conséquence des blessures sérieuses ou mortelles et/ou des.

OWNER'S MANUAL

INSTALLATION

VEUILLEZ VOUS RÉFÉRER AUX SCHÉMAS DE CE MANUEL POUR IDENTIFIER LES PIÈCES

1. Enlevez le boulon de sous la fourche de poignée. Insérez le tube de poignée dans la fourche de poignée tout en insérant simultanément la tige de verrouillage dans les trous de guide de la fourche de poignée.
2. Soulevez le levier de verrouillage sur l'assemblage de poignée vers le haut ainsi la tige de verrouillage ne doit pas entrer en contact avec le support de la fourche de poignée. Tournez le bouton de relâchement sur le dessus de la poignée dans les deux sens jusqu'à ce que vous sentiez le fond de la poignée engager l'ajustage de précision de la soupape de relâchement à l'intérieur et au fond de la fourche de poignée.
3. Alignez le trou de la fourche de poignée qui accepte le boulon avec le trou de location dans le fond de la poignée. Une fois que les trous sont alignés, fixez la poignée à la fourche de poignée avec le boulon fourni.
4. Déplacez l'assemblage de poignée de haut en bas tout en appuyant simultanément sur le levier de verrouillage jusqu'à ce que la tige de verrouillage engage un des trous de location dans le support de fourche de poignée. Il y a trois trous dans le support de la fourche de poignée qui sont utilisés pour verrouiller la poignée en position horizontale, angulaire ou presque verticale.
5. Installez le raccordement rapide de votre choix à l'arrière de la soupape à air. La soupape à air et le tuyau sont équipés d'une boucle qui les fixe au crochet en forme de (L) sur la partie supérieure de la poignée.
6. Fixez la soupape à air et le tuyau à la poignée et reliez une ligne d'alimentation en air comprimé à la soupape à air.
7. Quelquefois, l'air se trouve coincé dans le système hydraulique durant la livraison. Le système hydraulique à air lié devient spongieux quand il est gonflé.

PURGER L'AIR DU SYSTÈME HYDRAULIQUE

- a. Ouvrir la valve de débrayage en tournant deux fois la poignée en haut de la manche dans le sens inverse de l'aiguille d'une montre à partir de la position fermée.
- b. Enfoncez la soupape à air pendant approximativement 30 secondes.
- c. Ouvrir la valve de débrayage pour rétracter la rame.
- d. Fermer la valve de débrayage en tournant la poignée dans le sens de l'aiguille d'une montre jusqu'à ce qu'elle soit serrée.
- e. Appuyer sur la valve à air jusqu'à ce que la rame se soulève à une hauteur maximale.
- f. Si la condition reste la même, répéter les mêmes étapes de 'a' à 'e' jusqu'à ce que l'air soit totalement purgé du système

DIRECTIVES D'UTILISATION



Voici le symbole utilisé dans la section DIRECTIVES D'UTILISATION du présent manuel pour avertir du risque de blessure. Suivre toutes les directives pour éviter des blessures pouvant être graves ou mortelles.

IMPORTANT: Avant d'essayer de soulever n'importe quel véhicule, vérifiez le manuel d'entretien du véhicule pour les surfaces portantes recommandées.

1. Se familiariser avec l'identification et le fonctionnement des composants du cric.
 - a. La rame est l'arbre qui sort de la prise quand vous appuyez sur la valve à air et soulevez la charge.
 - b. La rame est équipée d'une vis d'extension qui peut être dévissée pour la retirer de la rame s'il n'y a pas assez d'effort hydraulique pour soulever la charge à la hauteur souhaitée. Si on exige plus de hauteur, des adaptateurs d'extension peuvent être insérés dans le trou en haut de la vis d'extension.
 - c. Des selles de plus grand diamètre peuvent être insérées dans la vis de rallonge quand une surface de selle de plus grand diamètre est requise.
2. Caler les pneus du véhicule qui ne seront pas soulevés du sol avant de soulever le véhicule et si possible, appuyer sur les freins d'urgence ou tout autre système de freinage.
3. Poser la prise au point de levage désigné. Estimer le trajet de la rame nécessaire pour soulever le véhicule à la hauteur souhaitée. Si la hauteur de véhicule souhaitée dépasse le trajet total de la rame, retirer la vis d'extension pour compenser la différence et ajouter un adaptateur d'extension si nécessaire.
4. Tourner à fond la poignée en haut de la manche dans le sens de l'aiguille d'une montre jusqu'à resserrement. Bloquer la manche dans une position de façon à ce qu'elle n'interfère pas avec le véhicule quand il est soulevé ou abaissé. Garder la manche dans cette position bloquée jusqu'à la fin du travail et jusqu'à ce que vous soyez prêt de retirer le cric.
5. Quand le cric est en position abaissée, le pousser en dessous du véhicule. **IMPORTANT :** Suivre les procédures de levage recommandées par le fabricant du véhicule et les points de levage avant de soulever les charges.
6. Dans la plupart des cas, une pression à air d'entrée de 100 P.S.I. (n'excédant pas 250 P.S.I.) soulèvera une charge de capacité maximale qui ne dépasse pas 200 tonnes. Appuyer sur la valve à air jusqu'à ce que le haut de la rame soit près du point de levage désigné. S'assurer que le point de levage désigné est à plat, parallèle au sol et sans graisse, sans lubrifiant ou débris. Procéder en pompant le cric afin de soulever le véhicule à la

hauteur souhaitée. Durant le levage, vérifier la position du cric par rapport au sol et la rame par rapport à la charge pour éviter tout état instable. Si les situations paraissent instables, abaisser doucement la charge et faire les corrections adéquates du système après l'abaissement total de la charge.

7. Quand le véhicule ou la charge est levé à la hauteur souhaitée, poser immédiatement les plateformes de sécurité (les plateformes du cric) dans les emplacements nécessaires et ajuster les colonnes de support des plateformes le plus près possible aux points de support du véhicule nécessaires. Bien que les plateformes du cric sont individuellement considérées, elles doivent être utilisées par paires pour main tenir une des extrémités du véhicule. Les plateformes ne peuvent pas être utilisées simultanément pour maintenir les deux extrémités ou un seul côté du véhicule. Tourner doucement et prudemment la poignée de débrayage dans le sens de l'aiguille d'une montre pour abaisser délicatement le véhicule sur les plateformes de sécurité (plateformes du cric). S'assurer que le véhicule est maintenu sans danger par les selles des plateformes de sécurité (plateformes du cric) et non par les poignées de localisation des selles. Vérifier le contact des plateformes de sécurité (plateformes du cric) avec le sol et les colonnes et selles des plateformes de sécurité (plateformes du cric) avec le véhicule pour éviter tout état instable. Si la situation paraît instable, fermer la poignée de débrayage du cric et appuyer sur la valve à air pour soulever le véhicule hors des plateformes de sécurité (plateformes du cric). Faire les modifications de système appropriées et abaisser doucement et prudemment le véhicule sur les selles des plateformes de sécurité.
8. Après la fin du travail, fermer la poignée de débrayage et appuyer sur la valve à air jusqu'à ce que le cric soit assez haut pour retirer le véhicule ou la charge des selles de plateformes de sécurité. S'assurer que la charge est stable. Si elle ne l'est pas, abaisser la charge sur les selles de plateformes de sécurité. Faire les bonnes corrections du système et répéter l'étape encore une fois. Retirer les selles des plateformes de sécurité en dessous du véhicule en étant prudent de ne pas faire bouger le véhicule.
9. Tourner très doucement et très prudemment la poignée de débrayage dans le sens inverse de l'aiguille d'une montre pour abaisser le véhicule ou la charge vers le sol.

ENTRETIEN PRÉVENTIF



Voici le symbole utilisé pour dans la section ENTRETIEN PRÉVENTIF du présent manuel pour avertir du risque de blessure.

Suivre toutes les directives pour éviter des blessures pouvant être graves ou mortelles.

IMPORTANT: Toute prise trouvée défectueuse, à cause de pièces usées en raison d'un manque de lubrification ou d'un système hydraulique/à air souillé par l'eau, de la rouille et/ou des matériaux étrangers provenant de l'alimentation à air ou d'une autre source extérieure, ne peut être garantie.

1. Entrez toujours le vérin dans un endroit bien protégé où il ne sera exposé aux intempéries, aux vapeurs corrosives, à la poussière abrasive, ou à aucun autre élément nocif. Entrez toujours le vérin dans un endroit bien protégé où il ne sera exposé aux intempéries, aux vapeurs corrosives, à la poussière abrasive, ou à aucun autre élément nocif.
2. Le vérin doit être lubrifié périodiquement afin d'empêcher l'usure prématurée des pièces. Une graisse d'usage général doit être appliquée à l'essieu là où les roues tournent et une couche très mince sur le cylindre du vérin. Ne lubrifiez aucune partie de la selle de levage et s'assurer que la selle est exempte de graisse, de n'importe quel genre de lubrifiant, ou des débris avant d'utiliser le vérin. Tout vérin trouvé défectueux à la suite de pièces usées en raison d'un manque de lubrification ou d'une lubrification insuffisante n'est pas admissible à la considération de garantie.
3. Il n'est pas nécessaire de remplir le haut du réservoir avec du liquide hydraulique à moins qu'il y ait une fuite externe. Une fuite externe doit être immédiatement réparée dans un environnement sans poussière par une personne qualifiée dans la réparation hydraulique et qui connaît cet équipement. Les centres de service experts sont recommandés. **IMPORTANT :** Pour éviter des endommagements au joint et une défaillance du cric, ne jamais utiliser d'alcool, de liquide de frein hydraulique ou de l'huile de transmission dans le cric. Utiliser l'huile de chevron hydraulique AW ISO 32 ou son équivalent Unocal Unax AW 150.
4. Chaque propriétaire est responsable de maintenir l'étiquette du vérin propre et lisible. Contactez Sunex pour une étiquette de rechange si votre étiquette de vérin n'est pas lisible.
5. N'essayez pas de faire des réparations à moins que vous soyez un réparateur qualifié qui est familiarisé avec cet équipement.

DÉPANNAGE

PROBLÈME	ACTION
1. L'unité ne lèvera pas la charge.	Purger l'air du système hydraulique en suivant la procédure selon la configuration.
2. L'unité ne supportera pas la charge ou est 'spongieuse' sous la charge.	Purger l'air du système hydraulique comme mentionné ci-dessus.
3. L'unité ne lèvera pas à hauteur complète.	Purger l'air du système hydraulique comme mentionné ci-dessus ou vérifier le niveau de l'huile dans le réservoir.
4. L'unité ne fonctionne toujours pas.	Veillez communiquer avec le centre de service hydraulique autorisé de Sunex.

GARANTIE LIMITÉE

SUNEX INTERNATIONAL, INC. GARANTI À SES CLIENTS QUE LES PRODUITS DE L'ENTREPRISE SUNEX TOOLS® SONT EXEMPTS DES DÉFAUTS DE MAIN-D'ŒUVRE ET DE MATÉRIAUX.

Sunex International, Inc. réparera ou remplacera ses outils de marque Sunex Tools® qui ne donnent pas un service satisfaisant à cause d'un défaut de main d'œuvre ou de matériau, selon les termes et conditions décrits ci-dessous dans les plans de garantie correspondant à ce produit spécifique. Ce produit a une garantie de UN AN. Pendant la période de garantie, Sunex Tools® réparera ou remplacera, à sa seule discrétion, toute pièce ou tout appareil dont il a été déterminé qu'il comporte un défaut de matériau ou de main d'œuvre.

Autres informations importantes sur la garantie...

Cette garantie ne couvre pas les dommages à de l'équipement ou à des outils modifiés, sujets à des abus ou à une utilisation incorrecte, ou encore endommagés; elle ne couvre pas les réparations ou le remplacement effectué par quiconque autre que Sunex Tools® ou ses centres de services de garantie autorisés. L'obligation qui précède constitue la seule responsabilité de Sunex Tools® en vertu de cette garantie ou de toute garantie implicite; et en aucun cas Sunex Tools ne pourra être responsable pour des dommages indirects ou consécutifs.

Remarque : Certaines juridictions ne permettent pas l'exclusion ou la limitation des dommages indirects ou consécutifs; la limitation ou l'exclusion ci-dessus pourrait donc ne pas s'appliquer à votre cas. Retourner l'équipement ou les pièces à Sunex Tools®, ou à un centre de service de garantie autorisé, port prépayé. S'assurer d'inclure votre nom, votre adresse, une preuve de la date d'achat et la description de la défaillance présumée. Pour toutes questions concernant le service de garantie, communiquez avec les « Outils Sunex ». Cette garantie vous donne des droits légaux spécifiques et vous pouvez également avoir d'autres droits qui varient d'un état à l'autre. Les trousse de réparation et les pièces de rechange sont disponibles pour plusieurs des outils Sunex, peu importe si les produits sont toujours couverts par un plan de garantie.

ADRESSE D'EXPÉDITION:

Sunex Tools
315 Hawkins Rd.
Travelers Rest, South Carolina 29690

ADRESSE POSTALE:

Sunex Tools
P.O. Box 1233
Travelers Rest, South Carolina 29690