

!WARNING

THIS JACK IS DESIGNED FOR LIFTING PURPOSES ONLY.
 AFTER LIFTING VEHICLE, ALWAYS USE SAFETY STANDS TO SUPPORT THE LOAD BEFORE MAKING ANY REPAIRS. NEVER CRAWL UNDER VEHICLE TO PLACE STANDS.
 DO NOT OVERLOAD THIS JACK BEYOND THE RATED CAPACITY. SET PARKING BRAKES AND BLOCK TIRES.
 USE JACK ONLY ON HARD, LEVEL SURFACES CAPABLE OF SUSTAINING THE LOAD.
 CENTER LOAD ON THE SADDLE AND BE SURE THE SETUP IS STABLE.
 LOWER VEHICLE SLOWLY.
 DO NOT EXCEED 120 PSI (OPERATING PRESSURE 90-120 PSI). USING BRAKE OR TRANSMISSION FLUIDS WILL DAMAGE JACK.
 OWNER AND/OR OPERATOR SHALL HAVE AN UNDERSTANDING OF ALL OPERATING INSTRUCTIONS AND WARNINGS BEFORE OPERATING THE JACK.
 FAILURE TO HEED THESE WARNINGS MAY RESULT IN PERSONAL INJURY AND/OR PROPERTY DAMAGE.
 THIS OPERATING MANUAL CONTAINS IMPORTANT SAFETY INFORMATION.
 READ CAREFULLY AND UNDERSTAND ALL INFORMATION BEFORE OPERATING THIS TOOL.
 SAVE THIS MANUAL FOR FUTURE USE.

!WARNING

-  ALWAYS READ INSTRUCTIONS BEFORE USING POWER TOOLS
-  ALWAYS WEAR SAFETY GOGGLES
-  WEAR HEARING PROTECTION
-  AVOID PROLONGED EXPOSURE TO VIBRATION

SPECIFICATIONS

	4912CAH	4920CAH
Capacity	12 Tons	20 Tons
Minimum Height	10.44"	10.44"
Maximum Height	20.09"	20.09"
Ram Travel	6.5"	6.5"
Extension Screw	3.6"	3.6"
Shipping Weight	28.0 lbs.	40.2 lbs.

4912CAH & 4920CAH 12 & 20 TON CAPACITY AIR/HYDRAULIC BOTTLE JACK

! WARNING!

FAILURE TO OBSERVE THESE WARNINGS COULD RESULT IN INJURY.

Important: Read these instructions carefully. Note the safe operational requirements, warnings and cautions. Use this tool correctly and with care for the purpose for which it was intended. Failure to do so may cause property damage or personal injury, and will invalidate the warranty.

- Ensure the jack is in sound condition and good working order. Take action for immediate repair or replacement of damaged parts. Use recommended accessories only. (The use of improper accessories may be dangerous and will invalidate the warranty.)
- Keep the jack clean for safest performance.
- Locate the jack in an adequate working area for its function. Keep working area clean, tidy and free from unrelated materials. Ensure the working area has adequate lighting.
- Use the jack only on level and solid ground. Place blocks under the wheels of the vehicle. Make sure engine is off. Allow minimum distance of 0.5 meter between vehicle tilt and static objects such as doors, walls, etc. Ensure all non-essential persons keep a safe distance while the jack is in use. Make sure there are no passengers in the vehicle when the vehicle is raised.
- Place the jack under the vehicle manufacturer's recommended lifting points. (Check vehicle handbook.)
- Make sure the vehicle is stable and centered on the jack saddle at the recommended lifting points. **DANGER:** Use the jack for lifting only. (Not for supporting the lifted load.) Use correct jack stands under the vehicle before proceeding with any task.
- Use a qualified person to check and lubricate the jack. Confirm that the recommended hydraulic oil is used during maintenance.
- Do not use the jack if damaged.
- Untrained persons should not operate the jack.
- Do not exceed the rated capacity of the jack.
- Do not allow the vehicle to move while being lifted. **DANGER:** Avoid lifting a vehicle if it may result in the spilling of fuel, battery acid or other dangerous substances. Do not allow anyone inside the vehicle while it is being lifted. Do not work under the vehicle until jack stands have been correctly positioned.
- Use the jack only for the purpose for which it was intended.
- Store the jack in a dry, childproof area when not in use.

OWNER/USER RESPONSIBILITY

The owner and/or user must have a thorough understanding of the manufacturer's operating instructions and warnings before using this bottle jack. Personnel involved in the use and operation of equipment shall be careful, competent, trained, and qualified in the safe operation of the equipment and its proper use when servicing motor vehicles and their components. Warning information should be emphasized and understood. If the operator is not fluent in English, the manufacturer's instructions and warnings shall be read to and discussed with the operator in the operator's native language by the purchaser/owner, making sure that the operator comprehends its contents.

Owner and/or user must study and maintain for future reference the manufacturer's instructions. Owner and/or user is responsible for keeping all warning labels and instruction manuals legible and intact.

FEATURES

- Designed for operating either manually or pneumatically.
- The air hose can swivel in any direction.
- Fitted with safety valve against overloading.
- Extension screw gives added height when necessary.
- Minimum air pressure required is 90 PSI, 6.2 Bar.
- Two piece handle allows for easy pumping.
- Double spring return.

OPERATING INSTRUCTIONS

BEFORE USE: Before using this product, read the owner's manual completely and familiarize yourself thoroughly with the product and the hazards associated with its improper use. Open the release valve counterclockwise (no more than 2 full turns). With ram fully retracted, locate and remove the oil filler plug. Insert the handle into the handle sleeve, then pump 6 to 8 strokes. This will help release any pressurized air which may be trapped within the reservoir. Ensure the oil level is just below the oil filler plug hole. Re-install the oil filler plug. Pour a teaspoon of good quality, air tool lubricant into the air supply inlet of the lift control valve. Connect to air supply and operate for 3 seconds to evenly distribute lubricant. Check to ensure that jack rolls freely (if so equipped) and that the pump operates smoothly before putting into service. Replace worn or damaged parts and assemblies as needed with manufacturer's authorized replacement parts. This product is fitted to accept the popular 1/4" NPT nipple of your choice; ensure that thread tape or compound is used when servicing connections. Inspect before each use. Do not use if bent, broken or cracked components are noted.

OPERATION

Lifting: Assemble two piece handle. Secure the load to prevent inadvertent shifting and movement. Position the jack near desired lift point. Close the release valve by turning it clockwise until it is firmly closed.

Insert handle into handle sleeve. Pump handle or squeeze the lift control valve until saddle contacts load. To end air operation, simply release the grip on the lift control valve. **NEVER WIRE, CLAMP OR OTHERWISE DISABLE THE LIFT CONTROL VALVE TO FUNCTION BY ANY MEANS OTHER THAN BY USING THE OPERATOR'S HAND.** Raise load to desired height, then immediately transfer the load to appropriately rated support devices such as jack stands.

CAUTION: Use the handle provided with this product or an authorized replacement handle to ensure proper release valve operation. Do not use an extender on the air hose nor the operating handle. When using to lift vehicle, lift only on the manufacturer's recommended lift point and in accordance with the published guidelines in your vehicle owners manual. Always use jack stands to support the load immediately after lifting.

WARNING: This is a lifting device only. It is designed to lift part of the total vehicle (one wheel or axle). Always wear safety glasses when using this equipment. Center load on saddle before lifting. Never work on, under or around load until it is properly supported. Transfer the load immediately to appropriately rated jack stands. Do not use this product for any purpose other than that for which it was intended. It is owner's responsibility to keep labels and instructional material legible and available. Replacement labels and manuals are available from the manufacturer. Failure to heed these and all other warnings pertaining to this product can result in sudden loss of lifted load resulting in death, personal injury or property damage.

MAINTENANCE

Important: Use only a good grade hydraulic jack oil. Avoid mixing different types of fluid and NEVER use brake fluid, turbine oil, transmission fluid, motor oil or glycerin. Improper fluid can cause premature failure of the jack and the potential for sudden and immediate loss of load.

Adding Oil: With saddle fully lowered and pump position fully depressed, set jack in its upright, level position. Remove oil filler plug. Fill until oil is level with the filler plug hole, re-install oil filler plug.

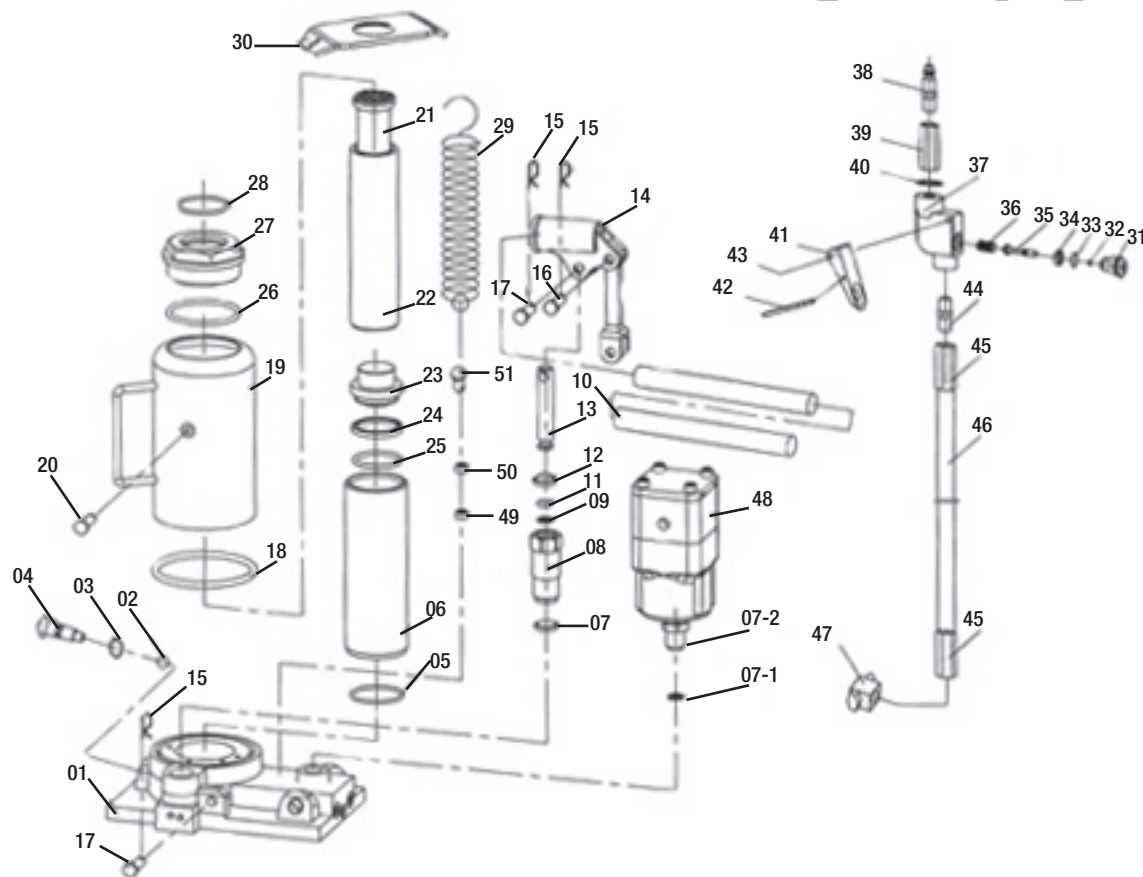
Lubrication: A coating of light lubricating oil to pivot points, axles and hinges will help to prevent rust and ensure that wheels, casters and pump assemblies move freely. Periodically check the pump piston and ram for signs of rust or corrosion. Clean as needed and wipe with any oily cloth. **NEVER USE SANDPAPER OR ABRASIVE MATERIAL ON THESE SURFACES!** When not in use, store the jack with pump piston and ram fully retracted.

Lowering: Raise load enough to carefully remove jack stands. Insert handle onto release valve and slowly turn handle counterclockwise, but no more than 1/2 turn. If load fails to lower, carefully transfer the load to another lifting device and jack stands. Carefully remove affected jack, and then the jack stands. Lower the load, again by slowly turning the release valve no more than 1/2 turn. After removing jack from under the load, push ram and handle sleeve down to reduce exposure to rust and contamination.

WARNING: Be sure all tools and personnel are clear before lowering load. Dangerous dynamic shock loads are created by quickly opening and closing the release valve as the load is being lowered. The resulting overload may cause hydraulic system failure which could cause severe personal injury and/or property damage.

4912CAH & 4920CAH

12 & 20 TON CAPACITY AIR/HYDRAULIC BOTTLE JACK



ITEM NO.	DESCRIPTION	QTY.	ITEM NO.	DESCRIPTION	QTY.	ITEM NO.	DESCRIPTION	QTY.
1	BASE	1	17	PIN	2	37	RS12CAHVB VALVE BODY	1
2	* BALL 1/4"	1	18	* PACKING	1		(INCL. # 31-44)	
3	* SEAL	1	19	RESERVOIR	1	38	HOSE CONNECTOR	1
4	RELEASE VALVE	1	20	*RS49FP FILLER PLUG	1	39	SPRING	1
5	* O-RING	1	21	EXTENSION SCREW	1	40	AIR FILTER	1
6	CYLINDER	1	22	RAM	1	41	LEVEL	1
7	* WASHER	1	23	CUP SEAL	1	42	LOCK LEVER	1
07-1	* SEAL	1	24	* CAP WASHER	1	43	LEVER PIN	1
07-2	RSAMPC AIR MOTOR PUMP CYLINDER (INCL. # 07-1)	1	25	* SNAP RING-G	1	44	HOSE CONNECTOR	1
8	PUMP CYLINDER	1	26	* PACKING	1	45	HOSEBAND	2
9	* O-RING	1	27	TOP NUT	1		(INCL. W/ #46)	
10	RS49HDL12 HANDLE	1	28	* O-RING	1	46	RS12CAHHA AIR HOSE ASSY.	1
11	* CUP SEAL	1	29	SPRING	2		(INCL. #45 & 47)	
12	* BACK UP RING	1	30	SPRING PLATE	1	47	PUMP ELBOW	1
13	PUMP PLUNGER	1	31	NUT	1		(INCL. W/ #46)	
14	HANDLE SLEEVE	1	32	O-RING	1	48	RS12CAHAM AIR MOTOR	1
15	COTTER PIN	3	33	O-RING	1		(INCL. # 07-1 & 07-2)	
16	PIN	1	34	PACKING	1	49	SPRING WASHER	2
			35	THRITTLE	1	50	NUT	2
			36	SPRING	1	51	EYE BOLT	2

*Also Available- RS12CAHSK seal kit for 4912CAH and RS20CAHSK seal kit for 4920CAH (items identified by *).

NOTE: Only seal kits and items identified by a part number are available for purchase.

TROUBLESHOOTING

SYMPTOM	POSSIBLE CAUSES	CORRECTIVE ACTION
Jack will not lift load	Release valve not tightly closed Overload condition Air supply inadequate	Ensure release valve tightly closed Remedy overload condition Ensure adequate air supply
Jack bleeds off after lift	Release valve not tightly closed Overload condition Hydraulic unit malfunction	Ensure release valve tightly closed Remedy overload condition Contact Seller
Jack will not lower after unloading	Reservoir overfilled Linkages binding	Drain fluid to proper level Clean and lubricate moving parts
Poor lift performance	Fluid level low Air trapped in system	Ensure proper fluid level With ram fully retracted, remove oil filler plug to let pressurized air escape, re-install oil filter plug
Will not lift to full extension	Fluid level low	Ensure proper fluid level

LIMITED WARRANTY...

SUNEX INTERNATIONAL, INC. WARRANTS TO ITS CUSTOMERS THAT THE COMPANY'S SUNEX TOOLS® BRANDED PRODUCTS ARE FREE FROM DEFECTS IN WORKMANSHIP AND MATERIALS.

Sunex International, Inc. will repair or replace its Sunex Tools® branded products which fail to give satisfactory service due to defective workmanship or materials, based upon the terms and conditions of the following described warranty plans attributed to that specific product. This product carries a ONE YEAR warranty. During this warranty period, Sunex Tools will repair or replace at our option any part or unit which proves to be defective in material or workmanship.

Other important warranty information...

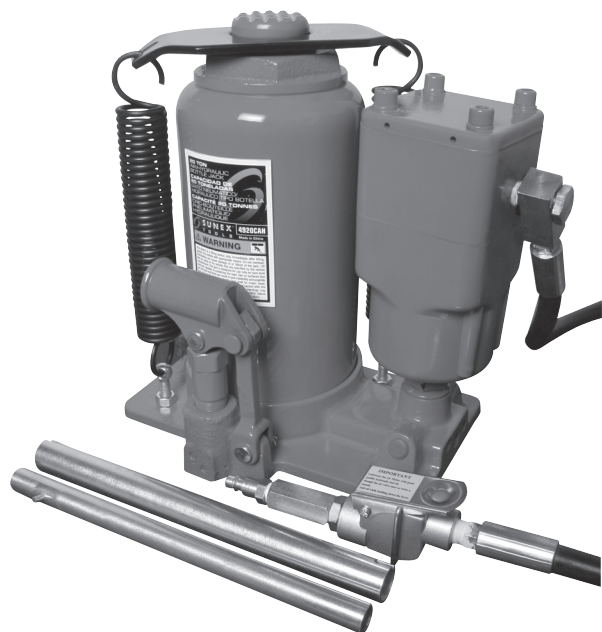
This warranty does not cover damage to equipment or tools arising from alteration, abuse, misuse, damage and does not cover any repairs or replacement made by anyone other than Sunex Tools or its authorized warranty service centers. The foregoing obligation is Sunex Tools' sole liability under this or any implied warranty and under no circumstances shall we be liable for any incidental or consequential damages.

Note: Some states do not allow the exclusion or limitation of incidental or consequential damages, so the above limitation or exclusion may not apply to you. Please contact your local Sunex distributor for proper warranty handling procedures.

If you have any questions about warranty service, please write to Sunex Tools. This warranty gives you specific legal rights and you may also have other rights which vary from state to state. Repair kits and replacement parts are available for many of Sunex Tools products regardless of whether or not the product is still covered by a warranty plan.

Shipping Address: Sunex Tools • 315 Hawkins Rd. • Travelers Rest, SC 29690

Mailing Address: Sunex Tools • P.O. Box 4215 • Greenville, SC 29608



! AVERTENCIA

ESTE GATO ESTÁ DISEÑADO PARA EL TRABAJO DE LEVANTAMIENTO SOLAMENTE. DESPUÉS DE LEVANTAR EL VEHÍCULO, SIEMPRE USE SOPORTES DE SEGURIDAD PARA SOSTENER LA CARGA ANTES DE HACER CUALQUIER REPARACIÓN. NUNCA MÉTASE DEBAJO DEL VEHÍCULO PARA COLOCAR LOS SOPORTES. NO SOBRECARGUE ESTE GATO MÁS ALLÁ DE SU CAPACIDAD NOMINAL. AJUSTE LOS FRENOS DE ESTACIONAMIENTO Y BLOQUEE LAS LLANTAS.

USE EL GATO SÓLO EN LAS SUPERFICIES DURAS Y NIVELADAS, LAS QUE SEAN CAPACES DE SOSTENER LA CARGA.

CENTRE LA CARGA EN LA SILLA Y ASEGÚRESE QUE EL MONTAJE ESTÉ ESTABLE.

BAJE EL VEHÍCULO LENTAMENTE.

NO EXCEDA LAS 120 PSI (PRESIÓN DE OPERACIÓN DE 90-120 PSI). EL USO DE LÍQUIDOS PARA FRENOS O TRANSMISIÓN DAÑARÁ EL GATO.

ANTES DE OPERAR EL GATO, EL PROPIETARIO Y/O OPERADOR DEBE TENER PLENA COMPRENSIÓN DE TODAS LAS INSTRUCCIONES DE OPERACIÓN Y ADVERTENCIAS.

HACER CASO OMISO A ESTAS ADVERTENCIAS PUEDE OCASIONAR LESIONES PERSONALES Y/O DAÑOS A LA PROPIEDAD.

ESTE MANUAL DE OPERACIÓN CONTIENE INFORMACIÓN IMPORTANTE DE SEGURIDAD.

LEA CUIDADOSAMENTE Y COMPRENDA TODA LA INFORMACIÓN CONTENIDA ANTES DE OPERAR ESTA HERRAMIENTA.

CONSERVE ESTE MANUAL PARA USO FUTURO.

! AVERTENCIA



LEER SIEMPRE LAS INSTRUCCIONES ANTES DE USAR LAS HERRAMIENTAS NUEMÁTICAS



USAR SIEMPRE ANTEOJOS PROTECTORES



USAR PROTECCIÓN PARA LOS OÍDOS



EVITAR EXPOSICIÓN PROLONGADA A LAS VIBRACIONES

ESPECIFICACIONES

	4912CAH	4920CAH
Capacidad	12 toneladas	20 toneladas
Altura mínima	10.44"	10.44"
Altura máxima	20.09"	20.09"
Viaje del pistón	6.5"	6.5"
Tornillo de extensión	3.6"	3.6"
Peso de embarque	28.0 lbs.	40.2 lbs.

**4912CAH &
4920CAH**
GATO NEUMÁTICO/
HIDRÁULICO TIPO
BOTELLA CAPACIDAD
12 & 20 TONELADAS

! AVERTENCIA

EL INCUMPLIMIENTO DE OBSERVAR ESTAS ADVERTENCIAS PUEDEN RESULTAR EN ALGUNA LESIÓN

Importante: Lea estas instrucciones cuidadosamente. Nótese los requerimientos, advertencias y precauciones para la operación segura. Use esta herramienta correctamente y con cuidado para el fin para el cual ésta está destinada. La negligencia de hacer esto puede causar daños a la propiedad o lesiones personales y anulará la garantía.

- Asegúrese que el gato esté en buenas condiciones y de buen funcionamiento. Tome las medidas necesarias para inmediatamente reparar o reponer las partes dañadas. Use los accesorios recomendados solamente. (El uso de accesorios inadecuados puede ser peligroso y anulará la garantía)
- Mantenga limpio el gato para el desempeño seguro del mismo.
- Mantenga el gato en una área adecuada de trabajo para su funcionamiento. Mantenga limpio y ordenado el área de trabajo y libre de materiales no relacionados. Asegúrese que el área de trabajo cuente con iluminación adecuada.
- Use el gato sólo en superficies duras y planas. Coloque unos bloques debajo de las llantas del vehículo. Asegúrese que esté apagado el motor. Deje una distancia mínima de 0.5 metros entre la inclinación del vehículo y los objetos inmóviles, tales como puertas, paredes, etc. Asegúrese que todas las personas no esenciales mantengan una distancia segura mientras el gato está en uso. Asegúrese que no haya pasajeros en el vehículo cuando esté levantado el vehículo.
- Coloque el gato debajo de los puntos de levantamiento recomendados por el fabricante (Revise el manual del vehículo).

- Asegúrese que el vehículo esté estable y centrado sobre la silla del gato en los puntos recomendados de levantamiento. **PELIGRO:** Use el gato para el trabajo de levantamiento solamente. (No lo use para el sostenimiento de la carga levantada.)
- Use los soportes adecuados para gato debajo del vehículo antes de proceder con cualquier tarea.
- Emplee a una persona calificada para revisar y lubricar el gato. Durante el mantenimiento, confirme que se use del aceite hidráulico recomendado.
- No use el gato si está dañado.
- Las personas no capacitadas no deben operar el gato.
- No exceda la capacidad nominal del gato.
- No permita que se mueva el vehículo mientras esté en proceso de elevación. **PELIGRO:** Evite levantar el vehículo si esto pueda ocasionar el derrame de combustible, ácido de batería o sustancias peligrosas. Durante el levantamiento, no permita que nadie esté adentro del vehículo. No trabaje debajo del vehículo hasta que los soportes de gato hayan sido correctamente posicionados.
- Use el gato sólo para los fines para los cuales éste está destinado.
- Cuando no está en uso, almacene el gato en un área seca y a prueba de niños.

RESPONSABILIDAD DEL PROPIETARIO/USUARIO

El propietario y/o usuario debe tener un amplio conocimiento de las instrucciones de operación y advertencias del fabricante antes de emplear el gato de botella. El personal involucrado en el uso y la operación del equipo debe ser cuidadoso, competente y calificado para la operación segura del equipo y su uso adecuado al llevar a cabo el mantenimiento de los vehículos motorizados y sus componentes. La información de advertencia debe ser enfatizada y comprendida. Si el operador no domina el idioma inglés, las instrucciones y advertencias del fabricante le deben ser leídas y discutidas con el operador en su idioma materno por el comprador/propietario, así asegurando que el operador comprenda su contenido. El propietario y/o usuario debe estudiar y conservar las instrucciones del fabricante, para consultas futuras. El propietario y/o usuario es responsable de asegurarse que las etiquetas de advertencia y los manuales de instrucciones estén conservados legiblemente e intactos. Las etiquetas de reemplazo y la documentación están disponibles con el fabricante.

CARACTERÍSTICAS

- Diseñado para la operación manual o neumática
- La manguera de aire puede girar en cualquier dirección
- Viene con una válvula de seguridad contra la sobrecarga.
- Tornillo de extensión proporciona altura adicional cuando sea necesario
- La mínima presión de aire requerida es de 90 PSI, 6.2 Bar.
- Mango de dos piezas permite un bombeo fácil
- Mecanismo de doble resorte

INSTRUCCIONES DEL FUNCIONAMIENTO

ANTES DEL USO: Antes de usar este producto, lea el manual entero del propietario y familiarícese completamente con el producto y con los peligros asociados con su uso indebido. Abra la válvula de liberación en el contrasentido de las agujas del reloj (no más de 2 vueltas completas). Con el pistón retraído completamente, ubique y quite el tapón de relleno de aceite. Inserte el mango en el forro del mango, luego bombéelo de 6 a 8 golpes. Esto ayudará a liberar cualquier aire a presión la cual haya sido atrapada en el depósito. Asegúrese que el nivel de aceite llegue justo debajo del agujero del tapón de relleno de aceite. Reponga el tapón de relleno de aceite. Vierta una cucharada de lubricante para herramientas neumáticas de buena calidad en la entrada del suministro de aire de la válvula de control de levantamiento. Conéctelo al suministro de aire y opérela por 3 segundos para distribuir equitativamente el lubricante. Revíselo para asegurar que el gato se mueva libremente (si es que así viene equipado) y que la bomba opere suavemente antes de ponerlos a trabajar. Reponga las piezas y montajes desgastados o dañados, según sea necesario, con piezas de reposición autorizadas por el fabricante. Este producto está ajustado para aceptar el latiguillo NPT 1/4" popular de su preferencia; asegúrese que se use su cinta o compuesto de rosca al momento de dar servicio a las conexiones. Inspecciónelo antes de cada uso. No lo use si está doblado, roto, o si se notan componentes agrietados.

MANTENIMIENTO

Importante: Sólo use un aceite de gato hidráulico de buena calidad. Evite mezclar diferentes tipos de lubricantes y NUNCA use lubricante de frenos, aceite de turbina o líquido para transmisiones, aceite motor o glicerina. El lubricante inadecuado puede ocasionar fallas prematuras del gato y potenciales pérdidas repentinas e inmediatas de la carga.

Agregando aceite: Con la silla completamente bajada y la posición de la bomba íntegramente presionada, coloque el gato en su posición vertical plana. Quite el tapón de relleno de aceite. Rellene hasta que el aceite esté a nivel con el agujero de relleno, luego reponga el tapón de relleno.

Lubricación: Una capa de aceite ligero de lubricación en los puntos de pivote, ejes y bisagras ayudará en la prevención de oxidación y asegurará que las llantas, rodajas y montajes de bomba cuenten con un libre movimiento. Revise el pistón y cilindro de la bomba periódicamente por señas de corrosión u oxidación. Límpielos según sea necesario con un trapo aceitado. **¡NUNCA USE PAPEL DE LIJA NI MATERIAL ABRASIVO EN ESTAS SUPERFICIES!** Cuando no está en uso, almacene el gato con el pistón de la bomba y el cilindro completamente retraídos.

LA OPERACIÓN

Levantamiento: Ensamble el mango de dos piezas. Asegure la carga para prevenir el desplazamiento y movimientos involuntarios. Posicione el gato cerca del punto deseado de levantamiento. Cierre la válvula de liberación al girarla en el sentido de las agujas del reloj hasta que esté firmemente cerrado.

Inserte el mango en el forro del mango. Bombee el mango o apriete la válvula de control de levantamiento hasta que la silla tenga contacto con la carga. Para terminar la operación neumática, simplemente libere el agarre en la válvula de control de levantamiento. **NUNCA CONECTE, RETENGA CON ABRAZADERA, NI DE OTRA FORMA IMPOSIBILITE EL FUNCIONAMIENTO DE LA VÁLVULA DE CONTROL DE LEVANTAMIENTO POR CUALQUIER OTRA MEDIDA QUE NO SEA POR MANO DEL OPERADOR.** Levante la carga a la altura deseada, luego inmediatamente transfiera la carga a los aparatos de sostenimiento de especificación adecuada, tales como los soportes de gato.

PRECAUCIÓN: Use el mango provisto con este producto o algún mango de repuesto autorizado para asegurar la operación adecuada de la válvula de operación. No ocupe ninguna extensión con la manguera de aire ni con el mango de operación. Cuando se usa una para levantar el vehículo, levántelo sólo en el punto de levantamiento recomendado por el fabricante y de acuerdo con las directrices publicadas en su manual de propietario del vehículo. Inmediatamente después de levantarlo, siempre use soportes de gato para sostener la carga

ADVERTENCIA: Este aparato está destinado para el levantamiento solamente. Está diseñado para levantar una parte del vehículo entero (una llanta o eje). Siempre use gafas de seguridad al usar este equipo. Centre la carga en la silla antes de levantarla. Nunca trabaje en,

debajo de, o cerca de la carga hasta que ésta esté adecuadamente sostenida. Inmediatamente transfiera la carga a los soportes de gato de la especificación adecuada. No use este producto para ningún otro fin excepto para el que fue destinado. Es la responsabilidad del propietario mantener legibles y disponibles las etiquetas y el material de instrucción. Las etiquetas y material de reposición están disponibles por parte del fabricante. Hacer caso omiso a estas y todas las demás advertencias pertenecientes a este producto pueden ocasionar la pérdida repentina de la carga levantada, así causando la muerte, lesión personal o daños a la propiedad.

Bajada: Levante la carga lo suficiente para cuidadosamente quitar los soportes de gato. Inserte el mango en la válvula de liberación y gire el mango lentamente en el contrasentido de las agujas del reloj, pero no más allá de una 1/2 vuelta. Si la carga no baja, transfiera cuidadosamente la carga a otro aparato de levantamiento y a otros soportes de gato. Quite cuidadosamente el gato afectado, y posteriormente los soportes de gato. Baje la carga, nuevamente al girar la válvula de liberación no más allá de una 1/2 vuelta. Después de quitar el gato de debajo de la carga, empuje el pistón y el forro de mango hacia abajo para reducir exposición a la corrosión y contaminación.

ADVERTENCIA: Asegúrese que todas las herramientas y personal estén libres del área antes de bajar la carga. Se crean cargas de choque dinámico peligrosas al abrir y cerrar rápidamente la válvula de liberación, mientras que se baje la carga. La sobrecarga resultante puede causar la falla del sistema hidráulico lo cual podría ocasionar lesiones personales severas y/o daños a la propiedad.

DIAGNÓSTICO DE AVERÍAS

SÍNTOMA	CAUSAS POTENCIALES	ACCIÓN CORRECTIVA
El gato no levantará la carga	La válvula de liberación no está apretadamente cerrada Condición de sobrecarga Surtimiento de aire inadecuado	Asegúrese que la válvula de liberación esté bien cerrada Remedie la condición de sobrecarga Asegure el surtimiento adecuado de aire
El gato se purga después del levantamiento	La válvula de liberación no está apretadamente cerrada Condición de sobrecarga Mal funcionamiento de la unidad hidráulica	Asegúrese que la válvula de liberación esté bien cerrada Remedie la condición de sobrecarga Contacte al vendedor
El gato no se baja después de la descarga	Sobre-llenado del depósito Atascamiento de vinculaciones	Vacíe el aceite hasta el nivel adecuado Limpie y lubrique las partes móviles
Rendimiento pobre de levantamiento	Nivel bajo de líquido Aire entrappedo en el sistema	Asegúrese del nivel adecuado de fluidos Con el pistón completamente retraído, quite el tapón de rellenado de aceite para dejar escapar el aire a presión, reponga el tapón de rellenado de aceite
No se levantará a su plena extensión	Bajo nivel de fluidos	Asegúrese del nivel adecuado de fluidos

GARANTÍA LIMITADA...

SUNEX INTERNATIONAL, INC., LE GARANTIZA A SUS CLIENTES QUE LAS HERRAMIENTAS Y PRODUCTOS CON LA MARCA DE LA EMPRESA SUNEX TOOLS NO CONTIENEN DEFECTOS EN SU MANO DE OBRA NI MATERIAS PRIMAS.

Sunex International, Inc., reparará o sustituirá sus productos con la marca Sunex Tools® que reflejen fallas en el funcionamiento satisfactorio debido a que la mano de obra o las materias primas estén defectuosas, tomando como base las cláusulas y condiciones de los planes de garantía descritos a continuación y asignados a ese producto específico. Este producto tiene una garantía de UN AÑO. Durante ese periodo de garantía, Sunex Tools reparará o sustituirá, como así opte por hacerlo, cualquier componente o unidad que se compruebe tener defectos en su materia prima o mano de obra.

Otra importante información de la garantía...

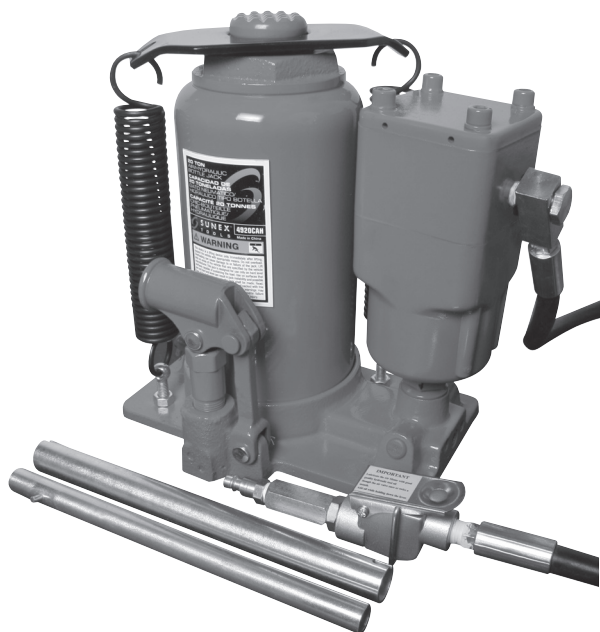
Esta garantía no cubre ningún daño al equipo o herramientas, si este surge como resultado de su alteración, abuso, o mal uso o daños ni tampoco cubre las reparaciones o reposiciones hechas por cualquier persona ajena a los centros de servicio de garantía autorizados y que no sean de Sunex Tools. La obligación antes mencionada queda bajo la responsabilidad exclusiva de Sunex Tools® según se menciona o de cualquier garantía implícita y bajo ninguna circunstancia quedará bajo su responsabilidad cualquier garantía implícita ya bajo ninguna circunstancia quedará bajo su responsabilidad cualquier daño incidental o consecuencial.

Note: Algunos estados no permiten la exclusión o limitación de los daños incidentales o consecuenciales, por lo tanto la limitación o exclusión arriba mencionada quizá no pudiera serle pertinente a usted. Devuelva el equipo o componentes a Sunex Tools, un centro de servicio de garantía autorizado, con el flete pagado. Asegúrese haber incluido su nombre y dirección, la evidencia de la fecha de adquisición y la descripción del defecto que se sospeche tener.

Si usted tiene cualquier duda acerca del servicio de garantía, escriba por favor a Sunex Tools. Esta garantía le proporciona derechos legales específicos y usted también podrá contar con derechos adicionales, los cuales varían de estado a estado. Las cajas de reparación y las piezas de repuesto están disponibles para un gran número de productos de Sunex Tools, independientemente de que si algún producto aún esté cubierto o no por el plan de garantía.

DIRECCIÓN A EMBARCARSE: Sunex Tools • 315 Hawkins Rd. • Travelers Rest, South Carolina 29690

DIRECCIÓN DE CORREOS: Sunex Tools • P.O. Box 4215 • Greenville, South Carolina 29608





SPÉCIFICATIONS

	4912CAH	4920CAH
Capacité	12 Tonnes	20 Tonnes
Hauteur minimum	10,44"	10,44"
Hauteur maximum	20,09"	20,09"
Course du vérin	6,5"	6,5"
Vis de rallonge	3,6"	3,6"
Poids à l'expédition	28,0 lbs	40,2 lbs

! AVERTISSEMENT

CE CRIC EST CONÇU POUR LE LEVAGE SEULEMENT.
 APRÈS LE LEVAGE DU VÉHICULE, UTILISEZ TOUJOURS LES SUPPORTS DE SÉCURITÉ POUR SOUTENIR LA CHARGE AVANT D'EFFECTUER DES RÉPARATIONS. NE JAMAIS RAMPER SOUS LE VÉHICULE POUR PLACER LES SUPPORTS.
 NE SURCHARGEZ PAS CE CRIC AU DELÀ DE LA CAPACITÉ ÉVALUÉE.
 PLACEZ LE FREINS DE STATIONNEMENT ET BLOQUER LES ROUES.
 UTILISEZ LE CRIC SEULEMENT SUR DES SURFACES RIGIDES ET DE NIVEAU, CAPABLES DE SOUTENIR LA CHARGE.
 CENTREZ LA CHARGE SUR LA SELLE ET ASSUREZ-VOUS QUE L'INSTALLATION EST STABLE.
 ABaissez LE VÉHICULE LENTEMENT.
 N'EXCÉDEZ PAS 120 PSI (PRESSION DE FONCTIONNEMENT 90-120 PSI).
 UTILISEZ DES FLUIDES DE FREIN OU DE TRANSMISSION ENDOMMAGERA LE CRIC.
 LE PROPRIÉTAIRE ET/OU L'OPÉRATEUR DOIT AVOIR UNE COMPRÉHENSION DE TOUTES LES CONSIGNES D'UTILISATION ET AVERTISSEMENTS AVANT D'UTILISER LE CRIC.
 LE MANQUE D'OBSERVER CES AVERTISSEMENTS PEUT AVOIR COMME CONSÉQUENCE DES BLESSURES ET/OU DES DÉGATS MATÉRIELS.
 CE MANUEL D'OPÉRATION CONTIENT DE L'INFORMATION IMPORTANTE DE SÉCURITÉ.
 LISEZ SOIGNEUSEMENT ET COMPRENEZ TOUTE L'INFORMATION AVANT D'UTILISER CET OUTIL.
 CONSERVEZ SE MANUEL POUR RÉFÉRENCE FUTURE.

! AVERTISSEMENT

-  LEER SIEMPRE LAS INSTRUCCIONES ANTES DE USAR LAS HERRAMIENTAS NUEMÁTICAS
-  USAR SIEMPRE ANTEOJOS PROTECTORES
-  USAR PROTECCIÓN PARA LOS OÍDOS
-  EVITAR EXPOSICIÓN PROLONGADA A LAS VIBRACIONES

4912CAH & 4920CAH
 CRIC BOUTEILLE
 D'UNE CAPACITÉ DE
 12 & 20 TONNES
 PNEUMATIQUE/
 HYDRAULIQUE

⚠ AVERTISSEMENT

LE NON-RESPECT DE CES AVERTISSEMENTS POURRAIT ENTRAÎNER DES BLESSURES.

Important : Lisez ces instructions soigneusement. Prenez note des conditions, avertissements et indications de prudence. Utilisez cet outil correctement et avec soin pour l'usage pour lequel il a été conçu seulement. Le manquement à faire ainsi peut causer des dégâts matériels ou des blessures et annulera la garantie.

- Assurez-vous que le cric est en bonne condition et en bon état de fonctionnement. Réagissez rapidement si le besoin d'une réparation ou d'un remplacement de pièces endommagées se fait sentir. Utilisez que les accessoires recommandés uniquement. (L'utilisation des accessoires non recommandés peut être dangereuse et annulera la garantie.)
- Maintenez le cric propre pour une utilisation plus sécuritaire.
- Gardez le cric dans un emplacement de travail approprié pour sa fonction. Maintenez l'emplacement de travail propre, rangé et libre de matériaux étrangers. Assurez-vous que l'emplacement de travail possède un éclairage adéquat.
- Utilisez le cric uniquement sur une surface rigide et de niveau. Placez des cales sous les roues du véhicule. Assurez-vous que le moteur est éteint. Laissez une distance minimale de 0,5 mètre entre l'inclinaison du véhicule et les objets statiques tels que portes, murs, etc. Assurez-vous que toutes les personnes non essentielles gardent une distance sécuritaire tandis que le cric est en fonction. Assurez-vous qu'il n'y a aucun passager dans le véhicule lorsque le véhicule est soulevé.
- Placez le cric sous les points de levage recommandés par le fabricant du véhicule. (Manuel du véhicule.) Assurez-vous que le véhicule est stable et centré sur la selle du cric aux points de levage recommandés. **DANGER :** Utilisez le cric pour soulever seulement. (Pas pour soutenir la charge soulevée.) Utilisez des supports de véhicule adéquats sous le véhicule avant d'effectuer une tâche.
- Utilisez une personne qualifiée pour faire la vérification et lubrifier le cric.
- Confirmez que l'huile hydraulique recommandée est utilisée pendant l'entretien.
- N'utilisez pas le cric si endommagé.
- Les personnes non formées ne devraient pas actionner le cric.
- N'excédez pas la capacité évaluée du cric.
- Ne laissez pas le véhicule se déplacer tout en étant soulevé. **DANGER :** Évitez de soulever un véhicule s'il y a risque de déversement de carburant, d'acide de batterie ou d'autres substances dangereuses. Ne permettez pas à quiconque d'être à l'intérieur du véhicule tandis qu'il est soulevé. Ne travaillez pas sous le véhicule jusqu'à ce que des supports de véhicule soient correctement en place.
- Utilisez le cric seulement pour l'usage pour lequel il a été conçu.
- Entrez le cric dans un endroit sec, et hors de la portée des enfants lorsqu'il n'est pas utilisé.

RESPONSABILITÉ DU PROPRIÉTAIRE/UTILISATEUR

Le propriétaire et/ou l'utilisateur doit avoir une compréhension approfondie des consignes d'utilisation et des avertissements du fabricant avant d'utiliser le cric bouteille. Le personnel impliqué dans l'utilisation et le fonctionnement de l'équipement doit être prudent, compétent, bien entraîné et qualifié dans le fonctionnement sécuritaire de l'équipement et de son utilisation adéquate en faisant l'entretien des véhicules à moteur et leurs composants. L'information concernant les avertissements doit être soulignée et comprise. Si l'opérateur n'est pas à l'aise en anglais, les instructions et les avertissements du fabricant doivent lui être lus et discutés avec l'opérateur dans la langue maternelle de l'opérateur par l'acheteur/le propriétaire, s'assurant que l'opérateur comprend son contenu. Le propriétaire et/ou l'utilisateur doit étudier et conserver les directives du manufacturier, pour référence éventuelle. Relativement aux étiquettes de mises en garde et aux manuels de directives, le propriétaire et/ou l'utilisateur est responsable de s'assurer qu'ils soient maintenus lisibles et intacts. Les étiquettes de remplacement et la littérature sont disponibles auprès du manufacturier.

CARACTÉRISTIQUES

- Conçu pour fonctionner manuellement ou de manière pneumatique.
- Les boyaux d'air peuvent pivoter dans n'importe quelle direction.
- Équipé d'une soupape de sécurité contre la surcharge.
- La vis de rallonge donne une hauteur supplémentaire si nécessaire.
- La pression d'air minimum exigée est de 90 psi, 6,2 Bar
- Poignée de deux pièces pour un pompage facile.
- Ressort de retour double

INSTRUCCIONES DEL FUNCIONAMIENTO

AVANT L'UTILISATION : Avant d'utiliser ce produit, lisez attentivement le manuel du propriétaire et familiarisez-vous complètement avec le produit et les risques liés à une mauvaise utilisation. Tournez la valve de relâchement dans le sens contraire des aiguilles d'une montre (pas plus de 2 tours complets). Le vérin entièrement rétracté, localisez et enlevez le bouchon de remplissage d'huile. Insérez la poignée dans la douille de poignée, puis pompez de 6 à 8 courses. Ceci aidera à libérer l'air pressurisé qui peut être emprisonné dans le réservoir. Assurez-vous que le niveau d'huile est juste au-dessous du trou du bouchon de remplissage d'huile. Réinstallez le bouchon de remplissage d'huile. Versez une cuillère à thé de lubrifiant pour outil pneumatique de bonne qualité, dans l'admission d'air de la soupape de commande. Reliez à l'air et faites fonctionner pendant 3 secondes pour distribuer également le lubrifiant. Vérifiez pour s'assurer que le cric tourne librement (si ainsi équipé) et que la pompe fonctionne sans à-coup avant la mise en service. Remplacez les pièces et les assemblages usées ou endommagées avec les pièces de rechange autorisées par le fabricant dès que nécessaire. Ce produit est adapté pour accepter le populaire mamelon de 1/4" NPT de votre choix ; assurez-vous que la bande fileté ou un abrasif est utilisé pour l'entretien des raccords. Inspectez avant chaque utilisation. Ne pas utiliser si plié, cassé ou fendu.

MANTENIMIENTO

Important : Utilisez seulement une huile de qualité pour cric hydraulique. Évitez de mélanger différents types de fluide et n'utilisez jamais le liquide des freins, l'huile de turbine, le fluide de transmission, l'huile à moteur ou la glycérine. Un fluide inapproprié peut entraîner la défaillance prématurée du cric et potentiellement la perte soudaine et immédiate de la charge.

L'ajout d'huile : La selle entièrement rétractées et la position de la pompe entièrement abaissée, placez le cric en position droite et de niveau. Enlevez le bouchon de remplissage d'huile. Remplissez jusqu'à ce que l'huile soit de niveau avec le trou du bouchon de remplissage d'huile, réinstallez le bouchon de remplissage d'huile.

Lubrification: Un enduit d'huile de graissage légère aux points de pivots, aux axes et charnières aidera à empêcher la rouille et à assurer que les roues, les roulettes et les pompes bougent librement. Examinez périodiquement le piston et le vérin de pompe pour détecter les signes de rouille ou de corrosion. Nettoyez tant que nécessaire avec un chiffon ou n'importe quel tissu huileux. **N'EMPLOYEZ JAMAIS DE PAPIER SABLÉ OU D'ABRASIF SUR CES SURFACES !** Lorsqu'il n'est pas utilisé, entreposez le cric avec le piston de pompe et le vérin entièrement rétractée.

FUNCIONNEMENT

Levage : Assemblez les deux pièces de la poignée. Fixez la charge pour empêcher le décalage latéral et le mouvement du véhicule par inadvertance. Placez le cric près du point de levage désiré. Fermez la valve de relâchement en la tournant dans le sens des aiguilles d'une montre jusqu'à ce qu'elle soit fermement fermée.

Insérez la poignée dans la douille de poignée. Pompez la poignée ou serrez la soupape de commande de levage jusqu'à ce que la selle entre en contact avec la charge. Pour terminer l'utilisation d'air, relâcher simplement la poignée sur la soupape de commande de levage. **NE JAMAIS BROCHER, FIXER OU NEUTRALISER LA SOUPAPE DE COMMANDE DE LEVAGE PAR QUELQUES MOYENS QUE CE SOIT, AUTRE QUE PAR L'UTILISATION DE LA MAIN DE L'OPÉRATEUR.** Soulevez la charge à la hauteur désirée, puis transférez immédiatement la charge aux dispositifs de soutien convenablement évalués, tels que des supports de véhicule.

ATTENTION : Utilisez la poignée fournie avec ce produit ou une poignée de rechange autorisée pour assurer l'opération appropriée de la valve de relâchement. N'utilisez pas une unité d'extension sur les boyaux d'air ainsi que sur la poignée. Lorsque utilisé pour soulever un véhicule, soulevez seulement sur les points de levage recommandés par le fabricant et selon les directives du manuel du propriétaire du véhicule. Utilisez toujours des supports de véhicule pour soutenir la charge juste après le levage.

AVERTISSEMENT : Ceci est un dispositif de levage seulement. Il est conçu pour soulever une partie de n'importe quel véhicule (une roue ou un axe). Portez toujours une protection oculaire lorsque vous utilisez cet équipement. Centrez la charge sur la selle avant le levage. Ne travaillez jamais sous ou autour de la charge avant qu'elle ne soit correctement soutenue. Transférez la charge immédiatement aux supports de véhicule appropriés.

N'utilisez ce produit que pour l'usage pour lequel il a été conçu seulement Il est de la responsabilité du propriétaire de maintenir les étiquettes et le matériel didactique lisibles et disponibles. Les étiquettes et les manuels de rechange sont fournis par le fabricant. Le manque d'observer ces derniers et tous autres avertissements qui concernent ce produit peut avoir comme conséquence la perte soudaine de la charge soulevée pouvant entraîner des dégâts matériels, des blessures graves et même la mort.

Abaissement : Soulevez la charge suffisamment pour enlever prudemment les supports de véhicule. Insérez la poignée sur la valve de relâchement et tournez lentement la poignée dans le sens contraire des aiguilles d'une montre, mais pas plus de 1/2 tour. Si la charge ne s'abaisse pas, transférez soigneusement la charge à un autre dispositif de levage et supports de véhicule. Enlevez soigneusement le cric défectueux, ensuite les supports de véhicule. Abaissez la charge, encore en tournant lentement la valve de relâchement pas plus de 1/2 tour. Après l'enlèvement du cric de sous la charge, poussez le vérin et la douille vers le bas pour réduire l'exposition à la rouille et à la contamination.

AVERTISSEMENT : Assurez-vous que toutes les personnes et instruments sont à une distance sécuritaire avant d'abaisser la charge. Des charges dynamiques de choc dangereuses sont créées en ouvrant et fermant rapidement la valve de relâchement pendant que la charge est abaissée. La surcharge qui s'en suit pourrait causer la défaillance du circuit hydraulique et entraîner des blessures graves et/ou des dégâts matériels.

DÉPANNAGE

SYMPTÔME	CAUSES POSSIBLES	ACTION CORRECTIVE
Le cric ne soulève pas la charge	La valve de relâchement n'est pas fermée correctement Condition de surcharge Alimentation en air inadéquate	Assurez-vous que la valve de relâchement est bien fermée Remède à la condition de surcharge Assurez-vous d'une alimentation en air adéquate
Le cric fuit après le levage	La valve de relâchement n'est pas bien fermée Condition de surcharge Mauvais fonctionnement de l'unité hydraulique	Assurez-vous que la valve de relâchement est bien fermée Remède à la condition de surcharge Communiquez avec le vendeur
Le cric ne s'abaisse pas après le déchargement	Trop plein du réservoir Grippage du mécanisme articulé	Vidangez le fluide au niveau approprié Nettoyez et lubrifiez les pièces mobiles
Faible performance de levage	Niveau du fluide bas Air emprisonné dans le système	Assurez un niveau de fluide approprié Avec le vérin entièrement rétracté, retirez le bouchon de remplissage d'huile pour laisser l'air s'échapper, ensuite réinstallez le bouchon de remplissage d'huile
Ne se soulève pas à pleine hauteur	Niveau du fluide bas	Assurez un niveau de fluide approprié

GARANTIE LIMITÉE...

SUNEX INTERNATIONAL, INC. GARANTI À SES CLIENTS QUE LES PRODUITS DE L'ENTREPRISE SUNEX TOOLS® SONT EXEMPTS DES DÉFAUTS DE MAIN-D'ŒUVRE ET DE MATÉRIAUX.

Sunex International, Inc. réparera ou remplacera ses outils de marque Sunex Tools® qui ne donnent pas un service satisfaisant à cause d'un défaut de main d'œuvre ou de matériau, selon les termes et conditions décrits ci-dessous dans les plans de garantie correspondant à ce produit spécifique. Ce produit a une garantie de UN AN. Pendant la période de garantie, Sunex Tools réparera ou remplacera, à sa seule discrétion, toute pièce ou tout appareil dont il a été déterminé qu'il comporte un défaut de matériau ou de main d'œuvre.

Autres informations importantes sur la garantie...

Cette garantie ne couvre pas les dommages à de l'équipement ou à des outils modifiés, sujets à des abus ou à une utilisation incorrecte, ou encore endommagés; elle ne couvre pas les réparations ou le remplacement effectué par quiconque autre que Sunex Tools ou ses centres de services de garantie autorisés. L'obligation qui précède constitue la seule responsabilité de Sunex Tools en vertu de cette garantie ou de toute garantie implicite; et en aucun cas Sunex Tools ne pourra être responsable pour des dommages indirects ou consécutifs.

Remarque : Certaines juridictions ne permettent pas l'exclusion ou la limitation des dommages indirects ou consécutifs; la limitation ou l'exclusion ci-dessus pourrait donc ne pas s'appliquer à votre cas.

Retourner l'équipement ou les pièces à Sunex Tools, ou à un centre de service de garantie autorisé, port prépayé. S'assurer d'inclure votre nom, votre adresse, une preuve de la date d'achat et la description de la défaillance présumée. Pour toutes questions concernant le service de garantie, communiquez avec les « Outils Sunex ». Cette garantie vous donne des droits légaux spécifiques et vous pouvez également avoir d'autres droits qui varient d'un état à l'autre. Les trousseaux de réparation et les pièces de rechange sont disponibles pour plusieurs des outils Sunex, peu importe si les produits sont toujours couverts par un plan de garantie.

Adresse d'expédition : Sunex Tools • 315 Hawkins Rd. • Travelers Rest, SC 29690

Adresse postale : Sunex Tools • P.O. Box 4215 • Greenville, SC 29608