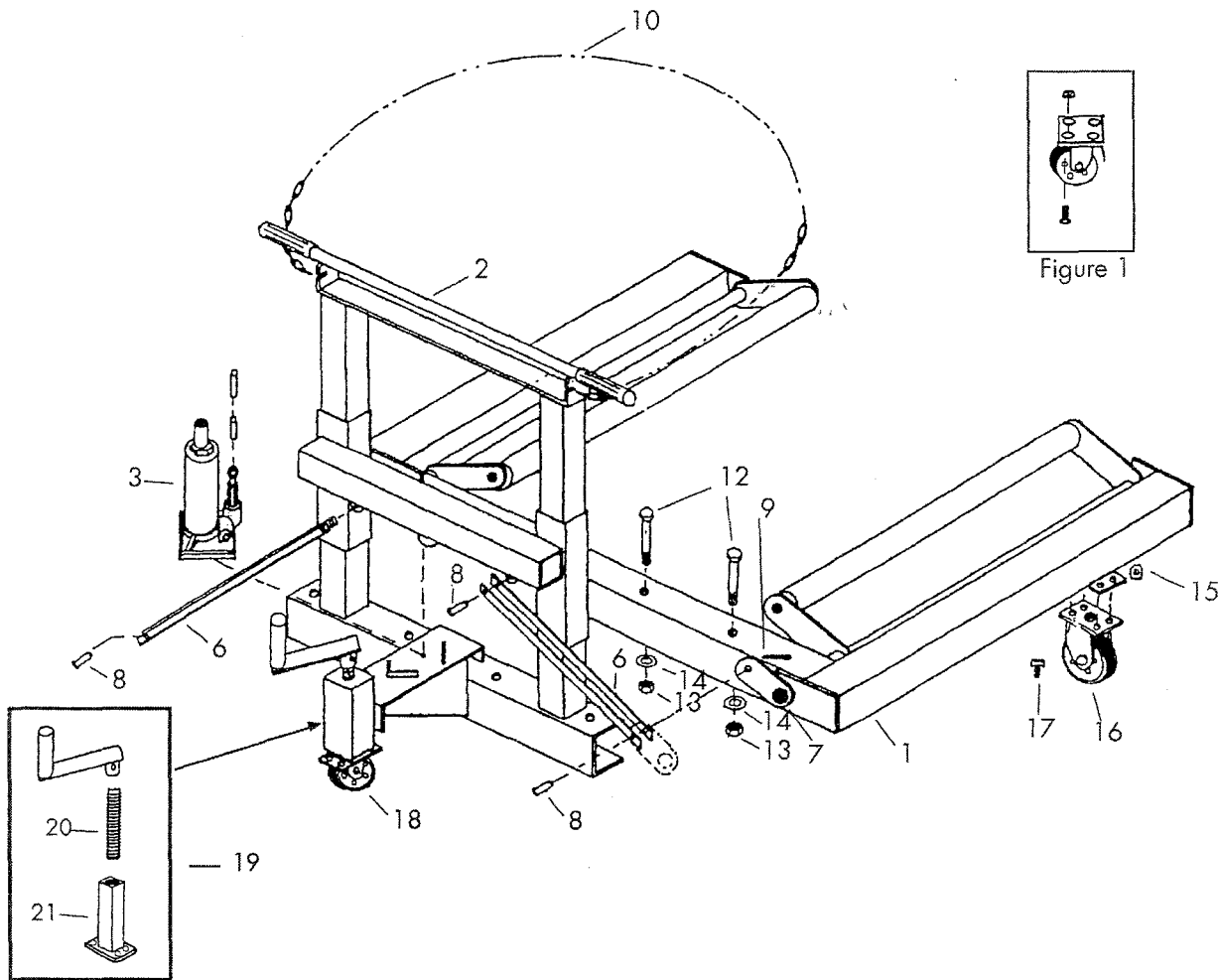


1501

1500 lb Capacity Hydraulic Wheel Dolly



REF. NO.	PART NO.	DESCRIPTION	QTY.	REF. NO.	PART NO.	DESCRIPTION	QTY.
*1		Base Weldment (Incl. # 7)	1	15		5/16" Hex Locknut	8
*2		Upright Assembly	1	16	RSSC350A	3-1/2" Swivel Caster Assembly	2
3	RS1501BJ	Bottle Jack	1	17		5/16" x 3/4" Hex Bolt	8
6	RS150106	Lifting Strap	4	18	RSSC301A	3" Swivel Caster (Pre-Assem.)	1
*7		Finger	2	19	RS150119	Crank Assembly (Inc. Ref #20 & #21)	1
8		5/16" x 1" Clevis Pin	4	20		Acme Rod	1
9		5/16" x 1" Cotter Pin	4	21		Slide Weldment	1
10		Safety Chain	1		RS1501BK	Bolt Kit Includes, 8-15, 17	
12		1/2" x 4" Bolt	4				
13		1/2" Nut	4				
14		1/2" Flat Washer	4				

*Not available as replacement parts.