



DAEDALUS

## BMW R nine T Tail Tidy Install Guide





Thank you for purchasing the Daedalus R nine T Tail Tidy! This guide will help you install it.

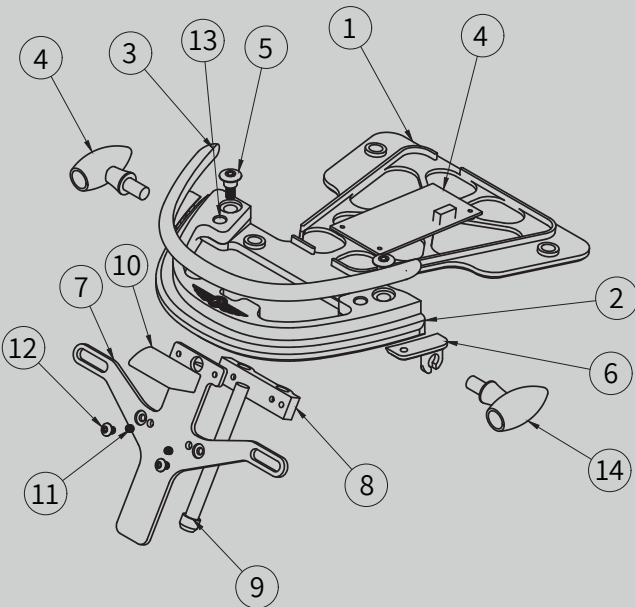
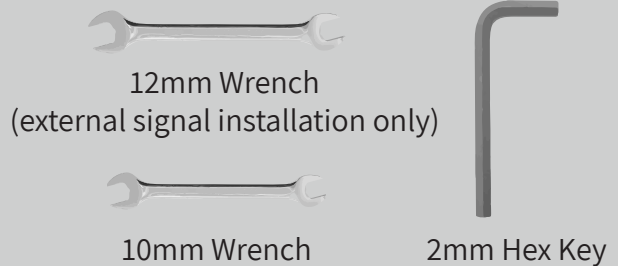
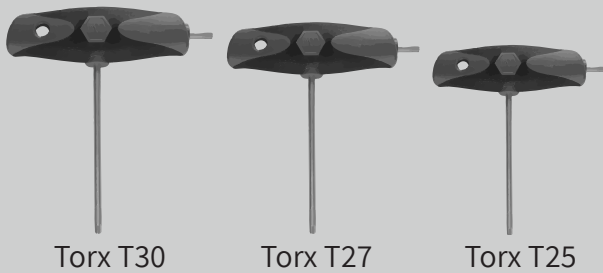
Page 2: Tail Tidy Installation

Page 7: Installing Seat Spacers for use with Rear Seat

Page 8: Installing the Under Tail License Plate Mount

Page 10: External Turn Signal Installation

Tools required:



Item	Qty	Part Name	Description
1	1	Base Plate	Supports Circuit Board and Light Strip
2	1	Light Strip Plate	Provides Platform for LED Light
3	1	LED Light Strip	Allows External Signals
4	1	Circuit Board	Directs Current
5	2	BMW Screw	Attaches Light Strip to Base Plate
6	2	External Signal Mount*	Allows Installation of External Signals
7	1	Under Tail License Mount*	For Attaching an Under Tail License Plate
8	1	Post Holder*	Aligns Light Posts
9	2	License Plate Posts*	Attaches License Mount to Light Strip
10	1	License Plate Light *	Illuminates License Plate
11	2	Set Screws	Adjusts Light Post Height
12	2	Mounting Screws	Attaches License Mount to Post Holder
13	2	Dowel Pin	Secures Light Strip and Base Plate
14	1	External Signal	Signals Externally

## R nine T Tail Tidy

Shown with Optional External Signals and Under Tail License Plate Mount



## ***Tail Tidy Installation***

### **Step 1:**

This is what you'll typically be starting with.



### **Step 2:**

Remove the back seat or cowl using a T30 Torx wrench.  
This attaches with the large bolt in the center of the tail section.





**Step 3:**

Take off your seat using the latch and pulling back.



**Step 4:**

Lift up ECU cover and lift ECU. 2017+ models don't require this step, there's no ECU here.





**Step 5:**

Disconnect the tail connector.



**Step 6:**

Using a T25 wrench, remove the four bolts from the stock tail assembly.





**Step 7:** Remove the tail, rest it on the wheel, and thread tail connector through the slot opening in the back. This part can now be placed into deep storage (trash).



**Step 8:** Open up your Daedalus box.



**Step 9:** Assembly steps are reverse of disassembly. Route our connector through the slot and connect it. Important to hear it click into place.





**Step 10:**

Reattach the 4 bolts to the subframe and our tail tidy. Note: If utilizing external signals or under tail license plate mount, leave the bolts slightly loose to allow passage of connectors.



**Step 11:**

Return ECU, cover, and seat. Push seat down and in.



If you're utilizing an integrated light strip and rear cowl, re-install the cowl and you're finished. If choosing to use a rear seat or external signals, continue on to the subsequent installation guides.



## ***Installing Seat Spacers for use with BMW Rear Seat***



The gap between our tidy and the rear seat without spacers.

The included seat spacers to install. One for each side.

### **Step 1:**

Using a T25, remove the BMW bolts holding the light strip to the base plate. Remove the light strip. Careful not to stress any connections.



### **Step 2:**

Place the included seat spacers on base plate attachment area. Reattach light strip, and secure with BMW bolts. Attach rear seat and you are finished!







## ***Under Tail License Plate Mount Installation***

### **Step 1:**

Using a 2mm hex wrench, loosen the set screws holding your light posts in.  
Note: These set screws are knurled, and bite into the metal to prevent rotation.  
Marks are normal and will be hidden.



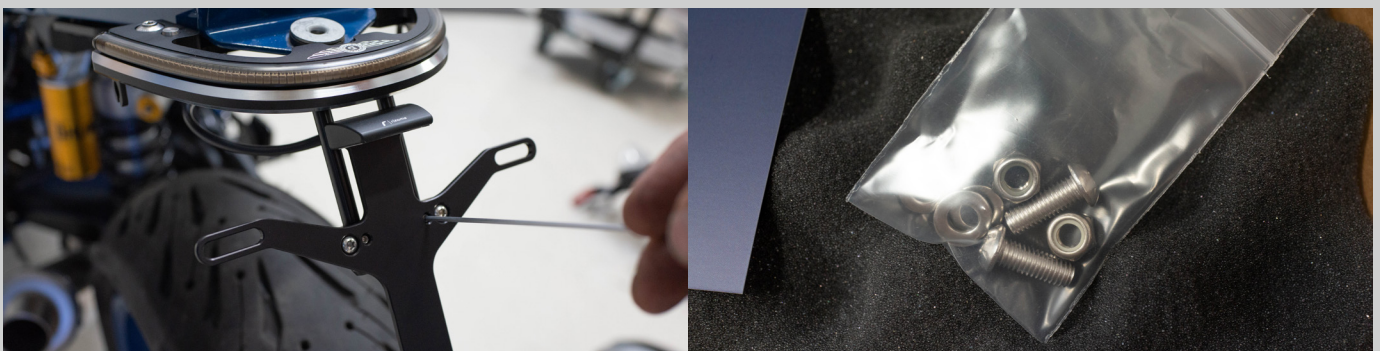
### **Step 2:**

Using a T27 Torx wrench and thread-locker (very important), insert light posts into the threaded holes on the underside of the tidy and tighten all the way.



### **Step 3:**

Tighten the set screws against the light posts, and attach your license plate with the included hardware (we excluded our license from this guide.)





**Step 4:** Feed the license plate light connector through the gap between your tidy and the subframe. Plug into the two pin female connector.



**Step 5:** Using a T25, tighten the tail tidy attachment screws to close the gap you used to insert the license plate light. Reattach your rear seat or cowl and you are finished!





## ***External Turn Signal Installation***



If you selected the option to include external signals, you'll receive the two brackets necessary to mount them. They'll be slotted into the light strip, and attached with two bolts.

**Step 1:** Prepare your signals; pictured here are the Rizoma Club S signals. Attach them to the signal mounts, with the washer and bolt on the inside.



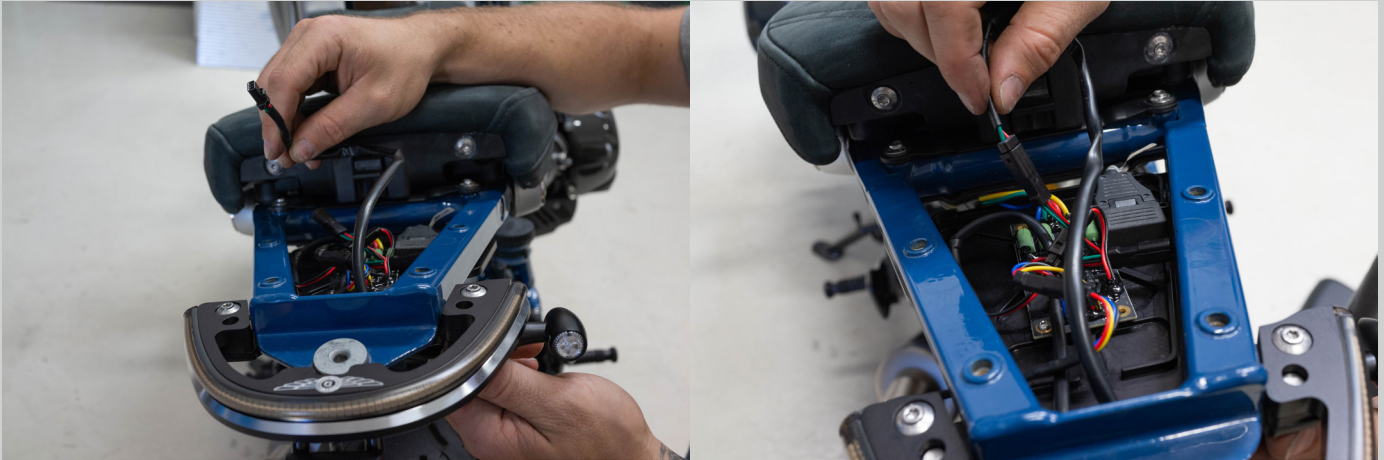
**Step 2:** Angle them parallel to the ground, and tighten with a 12mm wrench.





**Step 3:**

Feed the connector through the rear section of the tail tidy and plug them in. Note: The left signal will plug into the right side of the board and vice versa.



**Step 4:**

Reassemble the back of your bike and you are all set.  
Go ride and enjoy!

