

Comfort, Quality & Style Since 1998

FireSense®

## Outdoor Commercial Patio Heater Item#: 62987



### DANGER

FOR YOUR SAFETY: If you smell gas:  
1. Shut off gas to the appliance.  
2. Extinguish any open flame.  
3. If odor continues, keep away from the appliance and immediately call your gas supplier or fire department.

### DANGER

DANGER indicates an imminently hazardous situation which, if not avoided, will result in death or serious injury.

### DANGER

Failure to comply with the precautions and instructions provided with this heater can result in death, serious bodily injury and property loss or damage from hazards of fire, explosion, burn, asphyxiation, and/or carbon monoxide poisoning. Only persons who can understand and follow the instructions should use or service this heater.

### WARNING

This product can expose you to chemicals including Carbon Monoxide, Lead, Chromium (hexavalent compounds), Di(2-ethylhexyl) phthalate (DEHP) and Diisononyl phthalate (DINP), which are known to the State of California to cause cancer and birth defects or other reproductive harm. For more information, go to [www.P65Warnings.ca.gov](http://www.P65Warnings.ca.gov).

### WARNING

Do not store or use gasoline or other flammable vapors and liquids in the vicinity of this or any other appliance. An LP cylinder not connected for use shall not be stored in the vicinity of this or any other appliance.

### WARNING

Improper installation, adjustment, alteration, service or maintenance can cause property damage, injury or death. Read the installation, operation and maintenance instructions thoroughly before installing or servicing this equipment.

### WARNING

FOR OUTDOOR USE ONLY!

### ATTENTION

If your patio heater model is equipped with a base weight/sand box, it is strongly recommended that you fill it with sand or fine gravel and attach it securely to the bottom of the heater. In windy conditions, store the heater in a protected area or otherwise secure it. Unsecured heaters can be blown over in moderate to high wind. Damage due to weather or acts of God is not covered under warranty.



### ATTACH YOUR RECEIPT

Keep a copy of your proof of purchase or order confirmation which will be required if you need to contact us about warranty coverage.

Serial No. \_\_\_\_\_

Purchase Date \_\_\_\_\_



## Questions, problems, missing parts?

Before returning to your retailer, our Florida-based customer service is available:

Call toll-free (866) 985-7877

9 a.m. – 9 p.m., EST

Email [cservice@welltraveled.net](mailto:cservice@welltraveled.net)

Live chat

[www.balkenehome.com](http://www.balkenehome.com)

9 a.m. – 6 p.m., EST, Mon – Fri



## TABLE OF CONTENTS

Before You Begin	Page 2
Safety Information	Page 3
Package Contents	Page 4
Hardware Contents	Page 4
Assembly	Page 5-8
Operating Instructions	Page 9-12
Care and Maintenance	Page 13
Troubleshooting	Page 14
Warranty Information	Page 15



## BEFORE YOU BEGIN

Please read and understand this entire manual before attempting to assemble, operate or install this appliance. If you have any questions regarding the product, please contact us:

<b>Call toll-free</b>	(866) 985-7877	9 a.m. – 9 p.m., EST.
<b>Email</b>	cservice@welltraveled.net	
<b>Live chat</b>	www.balkenehome.com	9 a.m. – 6 p.m., EST., Mon – Fri

This manual contains important information about the assembly, operation and maintenance of this patio heater. General safety information is presented in the first few pages and is also located throughout this manual. Keep this manual for future reference and to educate new users of this appliance. This manual should be read in conjunction with the labeling on the appliance. Safety precautions are essential when any mechanical or propane-fueled equipment is involved. These precautions are necessary when using, storing, and servicing. Using this appliance with the respect and caution demanded will reduce the possibilities of personal injury or property damage. The symbols shown in the "Safety Information" section are used extensively throughout this manual. Always heed these precautions, as they are essential when using any mechanical or propane-fueled equipment.



**⚠ DANGER**

DANGER indicates an imminently hazardous situation which, if not avoided, will cause death or serious injury.

**⚠ DANGER**

**EXPLOSION—FIRE HAZARD**

- Keep solid combustibles, such as building materials, paper, or cardboard a safe distance away from the heater as recommended by the instructions.
- Provide adequate clearances around air openings into the combustion chamber.
- Never use the heater in spaces which do or may contain volatile or airborne combustibles, or products such as gasoline, solvents, paint thinner, dust particles, or unknown chemicals.
- During operation, this appliance can be a source of ignition. Keep heater area clear and free from combustible materials, gasoline, paint thinner, cleaning solvents and other flammable vapors and liquids. Do not use heater in areas with high dust content. Minimum heater clearances from combustible materials: 3 feet (36 inches) from top and 2 feet (24 inches) from sides.
- Never store propane near high heat, open flames, pilot lights, direct sunlight, other ignition sources or where temperatures exceed 120°F (49°C).
- Propane vapors are heavier than air and can accumulate in low places. If you smell gas, leave the area immediately.
- Never install or remove a propane cylinder while the heater is lighted, near flame, pilot lights, or other ignition sources or while heater is hot to the touch.
- This heater is red hot during use and can ignite flammables too close to the burner. Keep flammables at least 3 feet (36 inches) from top and 2 feet (24 inches) from sides. Keep gasoline and other flammable liquids and vapors well away from heater.
- Store the propane cylinder outdoors in a well ventilated space out of the reach of children. Never store the propane cylinder in an enclosed area (house, garage, etc.). If heater is to be stored indoors, disconnect the propane cylinder for outdoor storage.

**⚠ DANGER**

**CARBON MONOXIDE HAZARD**

- This heater is a combustion appliance. All combustion appliances produce carbon monoxide (CO) during the combustion process. This product is designed to produce extremely minute, non-hazardous amounts of CO if used and maintained in accordance with all warnings and instructions. Do not block the air flow into or out of the heater.
- Carbon Monoxide (CO) poisoning produces flu-like symptoms, water eyes, headaches, dizziness, fatigue, and possibly death. You can't see and you can't smell it. It is an invisible killer. If these symptoms are present during operation of this product, get fresh air immediately!
- For outdoor use only.
- Never use inside house or other unventilated or enclosed areas.
- This heater consumes air (oxygen). Do not use in unventilated or enclosed areas to avoid endangering your life.

**⚠ WARNING**

WARNING indicates an imminently hazardous situation which, if not avoided, can result in death or serious injury.

**⚠ WARNING**

**BURN HAZARD**

- Never leave heater unattended when hot or in use.
- Keep out of reach of children.

**⚠ WARNING**

Certain materials or items, when stored under the heater, will be subject to radiant heat and could be seriously damaged.

**⚠ WARNING:**

**FOR OUTDOOR USE ONLY**



**CARBON MONOXIDE HAZARD**

This appliance can produce carbon monoxide which has no odor. Using it in an enclosed space can kill you. Never use this appliance in an enclosed space such as a camper, tent or home.

**⚠ WARNING**

- This product is fueled by propane gas. Propane gas is invisible, odorless, and flammable. An odorant is normally added to help detect leaks and can be described as having a "rotten egg" smell. The odorant can fade over time so leaking gas is not always detectable by smell alone.
- Propane gas is heavier than air and leaking propane will sink to the lowest level possible. It can ignite by ignition sources including matches, lighters, sparks or open flames of any kind many feet away from the original leak. Use only propane gas set up for vapor withdrawal.
- Store to use propane gas in compliance with local ordinances and codes or with ANSI/NFPA 58. Turn off propane when not in use.
- Alert children and adults to the hazards of high surface temperatures. Stay away from these surfaces to avoid burning skin or igniting clothing.
- Carefully supervise young children when in the vicinity of the heater.
- Do not hang clothing or any other flammable materials from the heater, or place near the heater.
- Replace any guard or protective device removed for servicing the appliance prior to placing back in service.
- Installation and repair should be done by a qualified service person. The heater should be inspected before use and annually by a qualified service person. More frequent cleaning may be required as necessary. It is imperative that the control compartment, burners, and circulating air passageway of the appliance be kept clean.

**⚠ CAUTION**

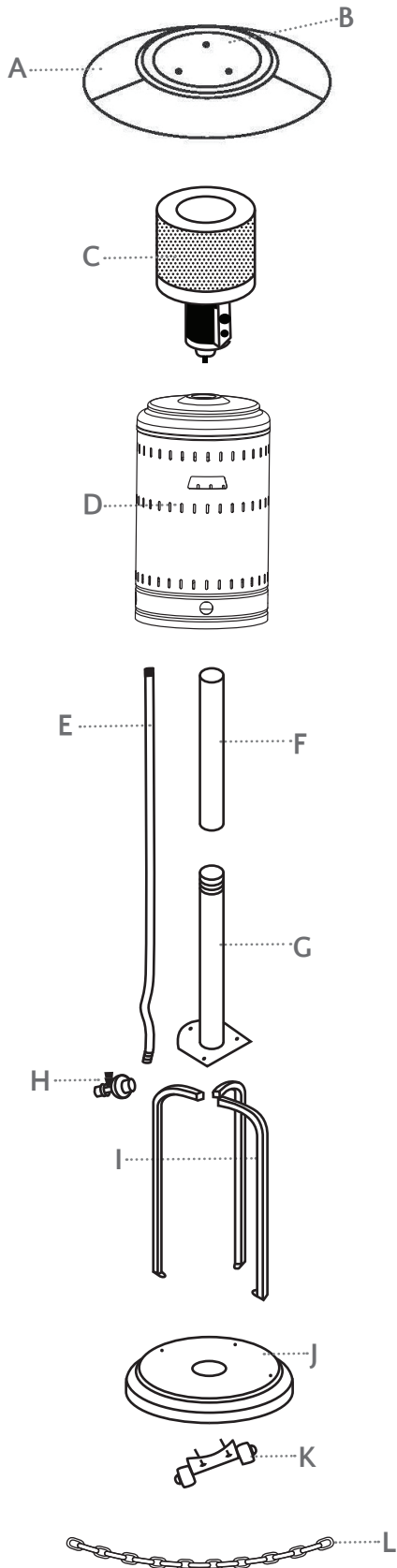
CAUTION indicates an imminently hazardous situation which, if not avoided, may result in minor or moderate personal injury, or property damage.

**⚠ CAUTION**

**SERVICE SAFETY**

- Keep all connections and fittings clean. Make sure propane cylinder valve outlet is clean.
- During set up, check all connections and fittings for leaks using soapy water, never use a flame to check for leaks.
- Use as a heating appliance only. Never alter in any way to use with any device.

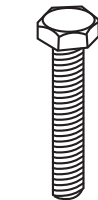
# PACKAGE CONTENTS



PART	DESCRIPTION	QUANTITY
A	Reflector Panel	3
B	Reflector Center Cap	1
C	Head Assembly	1 packed in 1 inner carton
D	Tank Housing	1
E	Gas Hose	1 attached to Head Assembly
F	Upper Post	1
G	Lower Post	1
H	Regulator	1 packed in inner carton
I	Post Supports	3 packed in 1 inner carton
J	Base (with pre-installed sandbox)	1
K	Wheel Assembly	1 packed in inner carton
L	Chain (secures LPG cylinder)	1 packed with post supports



## HARDWARE CONTENTS



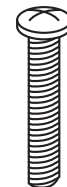
**Large Bolt**  
Qty: 6  
(Step 3)



**Medium Bolt**  
Qty: 5  
(Step 1: pre-assembled in wheels & Step 2)



**Small Bolt w/ Lock Washer**  
Qty: 4  
(Pre-assembled in head)



**Large Screw**  
Qty: 4  
(pre-assembled in base/sandbox)



**Small Screw**  
Qty: 9  
(Step 8)



**Large Flat Washer**  
Qty: 6  
(Step 9)



**Small Flange Nut**  
Qty: 6  
(Step 3)



**Large Nut**  
Qty: 4  
(pre-assembled in base/sandbox)



**Cap Nut**  
Qty: 9  
(Step 8)



**Wing Nut**  
Qty: 3  
(Step 9)



**Reflector Stud**  
Qty: 3  
(Step 6)



**Wrench**  
Qty: 1



## PREPARATION

Before beginning assembly of this appliance, make sure all parts are present. Compare all parts with package contents list and hardware contents as listed on page 4 of this manual. If any part is missing or damaged, do not attempt to assemble this product. Contact Customer Service for replacement parts.

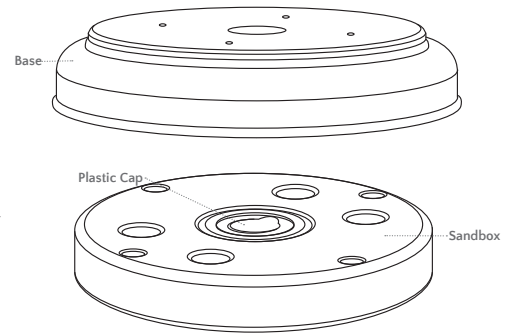
**ESTIMATED ASSEMBLY TIME:** 60 minutes

### Tools Required for Assembly (NOT included):

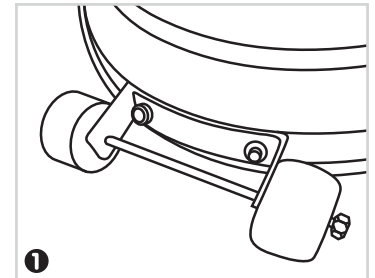
- Phillips screwdriver w/medium blade
- Leak test solution (see page 10)

**\*Sandbox:** This heater comes with a sandbox pre-assembled to the base. To fill the sandbox, pull open the plastic cap on top of the sandbox and fill with water or sand (sand is recommended if the heater will be exposed to freezing temperatures). Replace the plastic cap. You may find it easier to fill the sandbox prior to attaching wheels.

In the event that you need to remove or replace the sandbox, remove the 4 Large Screws and Large Nuts that secure the base to the sandbox, then lift the base off of the sandbox. To re-install, place **Base** back over the sandbox and align the holes in the base with the holes in the sandbox. Insert **Large Screws** through the holes in the base and secure by tightening **Large Nuts** on ends of the bolts.

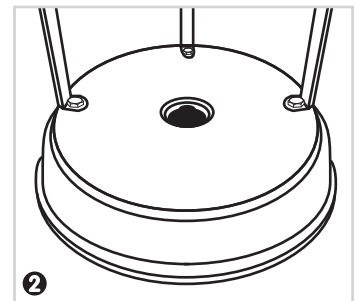
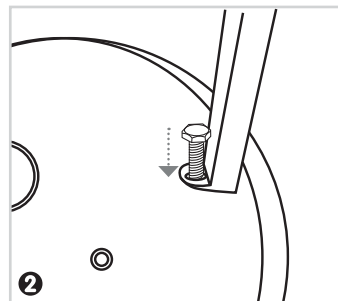


**1** Attach **Wheel Assembly K** to **Base J**. Align holes in **Wheel Assembly** with corresponding holes in **Base**, and insert 2 **Medium Bolts** through the holes and hand-tighten. Be sure that the **Wheel Assembly** is parallel to the **Base J** and tighten with the **Wrench**.



**Hardware Used:** 2x Medium Bolts

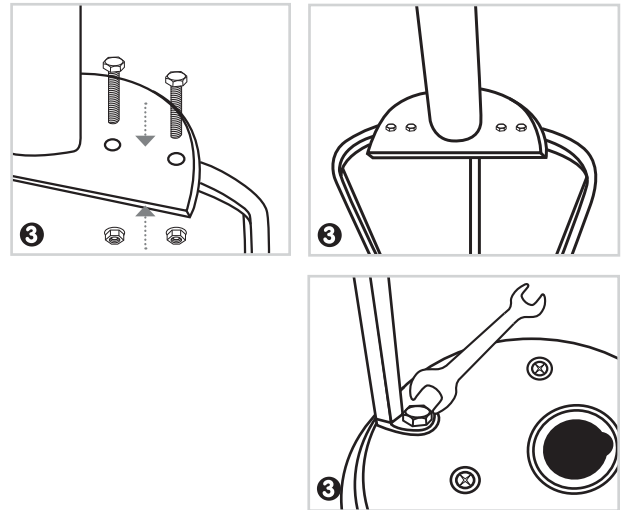
**2** Attach the **Post Supports I** to the **Base J**. Align the holes in the bottom of each **Post Support** with the hole on the **Base**. Insert 1 **Medium Bolt** through the hole in the support and into the **Base** and hand-tighten. Repeat with the other 2 **Post Supports** and then tighten all **Bolts** with the **Wrench**.




**Hardware Used:** 3x Medium Bolts



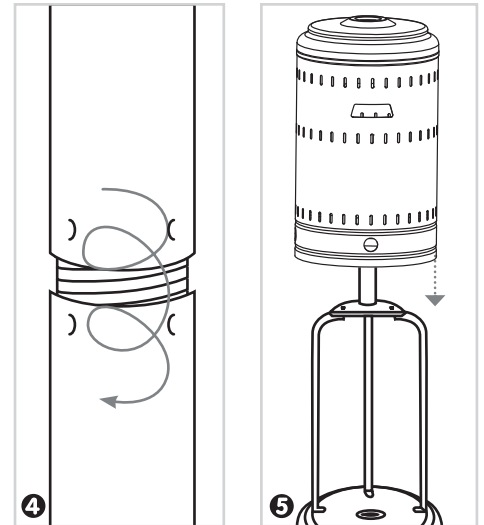
**3** Attach the **Lower Post G** to the **Post Supports I**. Once you have tightened the bolts holding the **Post Supports I** to the **Base J**, align the holes in the **Lower Post G** with the holes on the tops of the **Post Supports** and insert a **Large Bolt** through the hole in the **Post Support**. Secure with a **Small Flange Nut**. Repeat this in the 5 remaining holes (6 holes total—2 for each **Post Support** piece). Hand-tighten initially then tighten with the **Wrench** when all **Bolts** have been inserted.



 **Hardware Used:** 6x Large Bolt | 6x Small Flange Nut

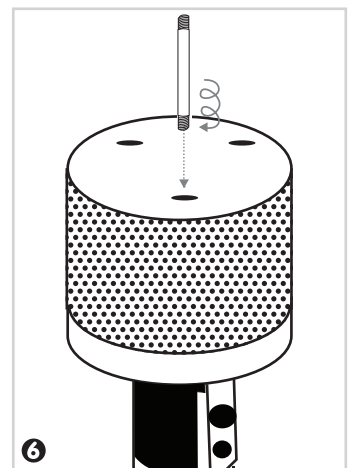
**4** Attach **Upper Post F** to **Lower Post G** by screwing the two pieces of the post together.

**5** Slide **Tank Housing D** over the assembled **Upper/Lower Posts F/G** and down over the **Post Supports I**. Rest the **Tank Housing** on the **Base J**.



**6** Attach **Reflector Studs** to the top of the **Head Assembly C**. Insert 1 **Reflector Stud** into the hole on the top of the **Head Assembly C**. Tighten stud securely. Repeat with the other 2 **Reflector Studs**.

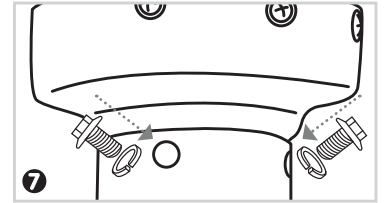
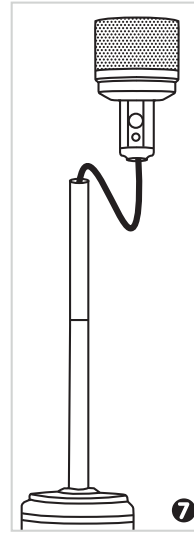
 **Hardware Used:** 3x Reflector Stud







**7** Attach **Head Assembly C** to **Upper Post F**: Loosen or remove the 4 **Small Bolts with Lock Washers** pre-installed in the neck of the **Head Assembly**. Route **Gas Hose E** down into **Upper/Lower Posts F/G** and align 4 small holes on the **Head Assembly C** with 4 small holes in the **Upper Post F**. Insert the 4 **Small Bolts with Lock Washers** through the aligned 4 holes and tighten securely with the wrench.

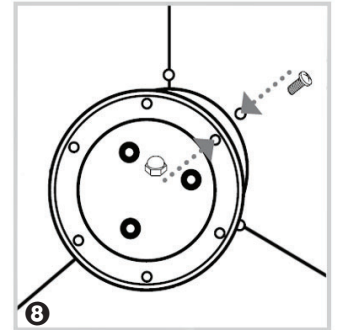
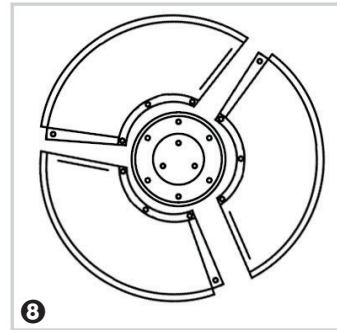


**Hardware Used:** 4x Small Bolt w/Lock Washer

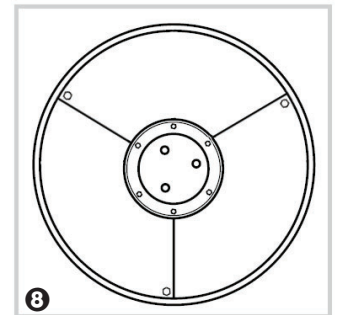
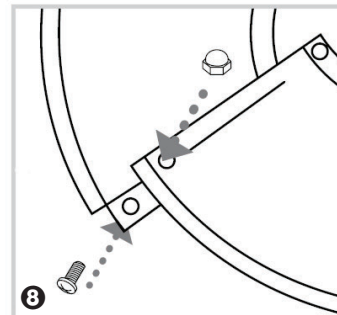
## 8 Assemble reflector.

*Assembly Tip: If necessary for proper alignment of reflector sections, loosen each screw prior to further assembly and re-tighten after sections are aligned.*

The reflector is comprised of 3 **Panels A** and a **Center Cap B**. Locate all 4 reflector pieces which are wrapped in bubble wrap. Unwrap and remove all pieces. **NOTE: REMOVE PROTECTIVE PLASTIC FILM ON REFLECTOR PIECES PRIOR TO ASSEMBLY!**



Locate 9 **Small Screws** and 9 **Cap Nuts** in the plastic bag packaged with the panels. Align the 3 **Panels** with the **Center Cap** and place a **Small Screw** through the center hole on each piece as shown below. Tighten **Cap Nut** onto each **Small Screw**.



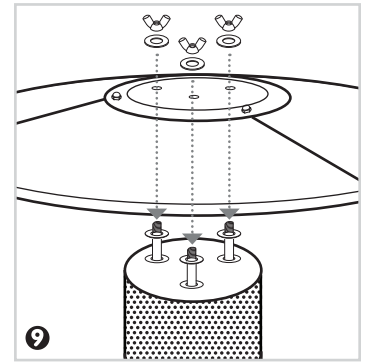
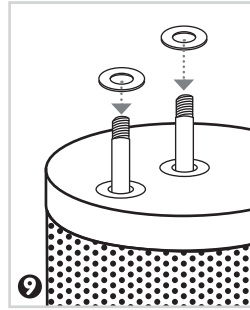
Align the sides of each **Reflector Panel** with the **Center Cap** and insert the next 3 **Small Screw** through aligned holes at the top of the **Panel** seams. Tighten **Cap Nuts** onto **Small Screw**. Finally, insert **Bolts** through holes located at outside edge of adjoining **Panels** and tighten **Cap Nuts** onto **Small Screws**.



**Hardware Used:** 9x Small Screw | 9x Cap Nut

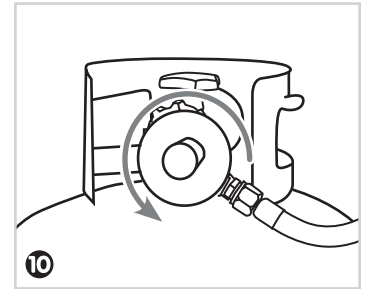
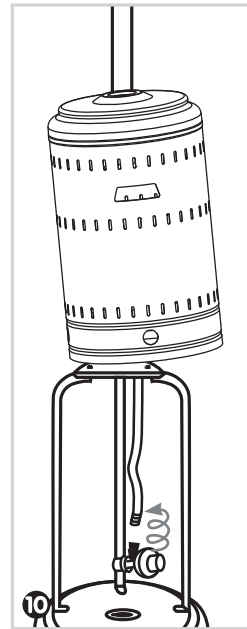


**9** While supporting heater, tilt the **Head Assembly** ⑨ and slide 3 **Large Flat Washers** over the **Reflector Studs**. Place the **Reflector Assembly** onto the **Reflector Studs** and slide 3 **Large Flat Washers** over the **Reflector Studs** and onto the **Reflector Assembly**. Secure with 3 **Wing Nuts**. Once you have tightened the **Wing Nuts**, return the heater to an upright position.

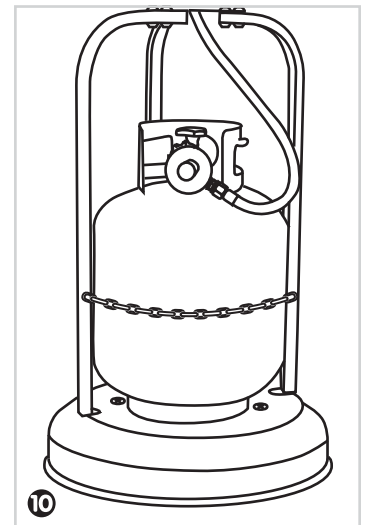


**Hardware Used:** 6x Large Flat Washer | 3x Wing Nut

**10** Connect the hose and regulator to the LPG tank. The LPG tank is sold separately. Use a standard 20 lb. propane tank *only*. Lift the **Tank Housing** ⑩ up and rest it on the top of the assembled **Post Supports** ①. Screw **Regulator** ④ onto **Gas Hose** ③. Do not cross thread. Attach the **Regulator** to the valve on the LPG tank and hand tighten securely. Place LPG tank onto base of heater. Secure the LPG tank by attaching the **Chain** ① onto the post supports. Lower the **Tank Housing**.



*NOTE: Use this heater only with a propane vapor withdrawal supply system. See chapter 5 of the standard for storage and handling of liquefied petroleum gas, ANSI/NFPA 58. Your local library or fire department should have this book.*







A minimum supply pressure of .5 psi is required for the purpose of input adjustment of propane gas. Storage of an appliance indoors is permissible only if the cylinder is disconnected and removed from the appliance. A cylinder must be stored outdoors in a well-ventilated area out of the reach of children. A disconnected cylinder must have dust caps tightly installed and must not be stored in a building, garage, or any other enclosed area. The minimum permissible gas supply pressure of 11 W.C. is required for purpose of hose adjustment. The minimum hourly of 17,500 BTU is required input rating for a heater for automatic operation rating less than full input rating.

The pressure regulator and hose assembly supplied with the appliance must be used.

The installation must conform with local codes, or in the absence of local codes, with national fuel gas code, ANSI Z223.1/NFPA54, natural gas and propane Installation Code, CSA B149.1, or propane storage and handling code, B149.2

A dented rusted or damaged propane cylinder may be hazardous and should be checked by your local cylinder supplier. Never use a propane cylinder with a damaged valve connection. The propane cylinder must be constructed and marked in accordance with the specifications for LPG tanks of the U.S. Department of Transportation (DOT) or the standard for cylinders, spheres and tubes for transportation of dangerous goods and commission, CAN/CSA-B339.

- Do not store a spare LP-gas cylinder under or near this appliance.
- Never fill the cylinder beyond 80 percent full.
- Place the dust cap on the cylinder valve outlet whenever the cylinder is not in use. Only install the type of dust cap on the cylinder valve that is provided with the cylinder valve. Other types of caps or plugs may result in leakage of propane.

- The cylinder must have a listed overfilling prevention device.
- The cylinder must have a connection device compatible with the connection for the appliance.
- The cylinder used must include a collar to protect the cylinder valve.
- Never connect an unregulated propane cylinder to the heater.



## LEAK TEST

1. Make 2–3 oz. of leak test solution (one part liquid dish washing detergent and three parts water).
2. Apply several drops of solution where hose attaches to regulator.
3. Apply several drops of solution where regulator connects to cylinder.
4. Make sure all patio heater valves are OFF.
5. Turn cylinder valve ON.

### **WARNING**

- Perform all leak tests outdoors.
- Extinguish all open flames.
- NEVER leak test when smoking
- Do not use heater until all connections have been leak tested and show no signs of leakage.

## IF BUBBLES APPEAR AT ANY CONNECTION, THERE IS A LEAK.

1. Turn cylinder valve OFF.
2. If leak is detected at hose/regulator connection, tighten connection and perform another leak test. If bubbles continue to appear, call our customer service desk at **(866) 985-7877**, 9 a.m. – 9 p.m., EST.
3. If leak is detected at regulator/cylinder valve connection, disconnect, reconnect, and perform another leak test. If you continue to see bubbles after several attempts, cylinder valve is defective. Call our customer service desk at **(866) 985-7877**, 9 a.m. – 9 p.m., EST.

## IF NO BUBBLES APPEAR AT ANY CONNECTION, THE CONNECTIONS ARE SECURE.

**Note:** Whenever gas connections are loosened or removed, you must perform a complete leak test.

### **WARNING:** **FOR OUTDOOR USE ONLY**

#### **CARBON MONOXIDE HAZARD**

This appliance can produce carbon monoxide which has no odor. Using it in an enclosed space can kill you. Never use this appliance in an enclosed space such as a camper, tent or home.

**Caution:** Do not attempt to operate this appliance until you have read and understand all Safety Information in this manual and all assembly is complete and leak tests have been performed.

## BEFORE TURNING GAS SUPPLY ON:

1. Your heater was designed and approved for **OUTDOOR use only**. Do NOT use it inside a building, garage, or any other enclosed area.
2. Make sure surrounding areas are free of combustible materials, gasoline, and other flammable vapors or liquids.
3. Ensure that there is no obstruction to air ventilation. Be sure all gas connections are tight and there are no leaks.
4. Be sure the cylinder cover is clear of debris. Be sure any component removed during assembly or servicing is replaced and fastened prior to starting.

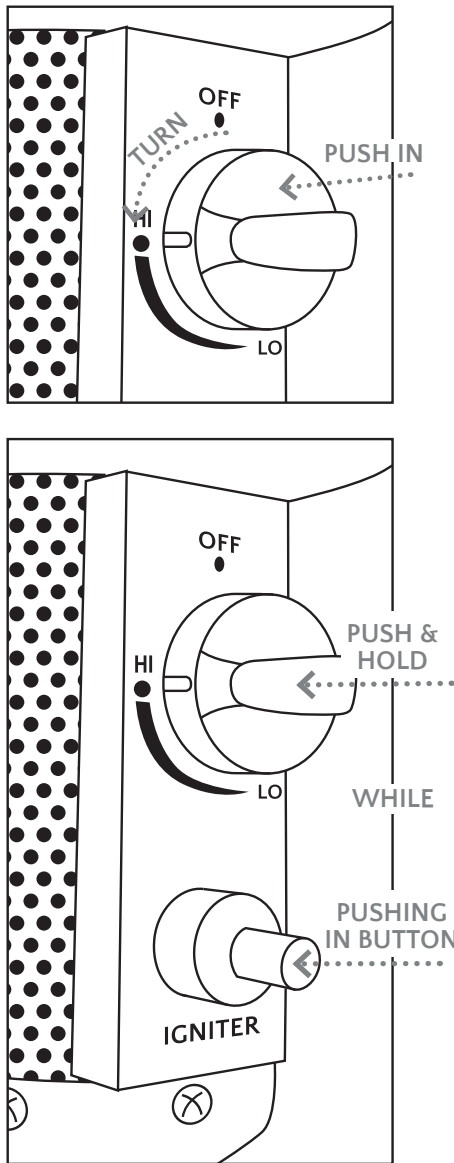
## BEFORE LIGHTING:

1. Heater should be thoroughly inspected before each use, and by a qualified service person at least annually. If re-lighting a hot heater, always wait at least 5 minutes.
2. Inspect the hose assembly for evidence of excessive abrasion, cuts, or wear. Suspected areas should be leak tested. If the hose leaks, it must be replaced prior to operation. Only use the replacement hose assembly specified by the manufacturer.

## LIGHTING

**NOTE:** For initial start or after any cylinder change, hold the control knob in for 2 minutes to purge air from all gas lines before proceeding.

1. Turn the control knob to the "OFF" position.
2. Fully open the LPG tank valve.
3. Push in and turn the control knob to HI symbols.
4. Keep the control knob depressed and then push the RED igniter button simultaneously, push several times to ignite the main burner. Repeat until the burner ignites. Keep the control knob fully depressed for an additional 30 seconds after the burner ignites, then release the control knob.
5. To increase the flame, turn the control knob clockwise towards HI. To decrease the flame, turn the control knob counter-clockwise towards LO.
6. To turn the appliance OFF, depress the control knob and turn clockwise to the OFF position.
7. Wait at least 5 minutes before attempting to re-light the heater.
8. Turn the LPG tank valve to OFF or closed. If you experience any ignition problems, please consult the "Troubleshooting" section of this manual.



## WARNING

**FOR YOUR SAFETY**  
Be careful when attempting to manually ignite this heater. Holding in the control knob for more than 10 seconds before igniting the gas will cause a ball of flame upon ignition.

## WHEN HEATER IS ON:

Emitter screen will become bright red due to intense heat. The color is more visible at night. Burner will display tongues of blue and yellow flames. These flames should not produce thick black smoke, indicating an obstruction of airflow through the burners. The flame should be blue with straight yellow tops. If excessive flame is detected, turn off heater and consult the "Troubleshooting" section of this manual.

## RE-LIGHTING:

**Note:** For your safety, the control knob cannot be turned OFF without first depressing the control knob and then rotating to OFF.

1. Turn control knob to OFF.
2. Wait at least 5 minutes to allow gas to dissipate before re-lighting.
3. Repeat the "Lighting" steps listed above.

**Caution:** Avoid inhaling fumes emitted from the heater's first use. Both smoke and odor from the burning of oils used in the manufacturing will appear. Both smoke and odor will dissipate after approximately 30 minutes. The heater should NOT produce thick black smoke.

*If you experience any ignition problems, please consult the "Troubleshooting" section of this manual.*

**Caution:** Avoid inhaling fumes emitted from the heater's first use. Smoke and odor from the burning of oils used in the manufacturing will appear. Both smoke and odor will dissipate after approximately 30 minutes. The heater should NOT produce thick black smoke.



## OPERATION CHECKLIST:

For a safe and pleasant heating experience, perform this check before each use:

### BEFORE OPERATING:

- I am familiar with entire owner's manual and understand all precautions noted.
- All components are properly assembled, intact and operable.
- No alterations have been made.
- All gas connections are secure and do not leak.
- Wind velocity is below 10 mph.
- Heater is for use outdoors (outside any enclosure).
- There is adequate fresh air ventilation.
- Heater is away from gasoline or other flammable liquids or vapors.
- Heater is away from windows, air intake openings, sprinklers and other water sources.
- Heater is at least 36 in. on top and at least 24 in. on sides from combustible materials.
- Heater is on a hard and level surface.
- There are no signs of spider or insect nests in heater orifices.
- All burner passages are clear.
- All air circulation passages are clear.
- Clothing or other protective material should not be hung from the heater, or placed on or near the heater.
- Any guard or other protective device removed for servicing the heater must be replaced prior to operating the heater.
- Installation and repair should be done by a qualified service person. The heater should be inspected before each use and at least annually by a qualified service person.

### OPERATION INFORMATION AND SAFETY:

- Unit will operate at reduced efficiency below 40°F.
- Children and adults should be alerted to the hazards of high surface temperatures and should stay away to avoid burns or clothing ignition.
- Young children should be carefully supervised when they are in the area of the heater.
- More frequent cleaning may be required as necessary. It is imperative that control compartment burner and circulating air passageways of the heater be kept clean and free of debris and/or spider or insect nests.

## WARNING

FOR YOUR SAFETY  
Heater will be hot after use. Handle with extreme care.



## SHUT DOWN:

1. Turn control knob clockwise to OFF while depressing the knob. (Normally, burner will make a slight popping noise when extinguished).
2. Turn cylinder valve clockwise to OFF and disconnect regulator when heater is not in use.

**NOTE:** After use, some discoloration of the emitter screen is normal.



## AFTER OPERATION:

1. Gas control knob is in OFF position.
2. Gas tank valve is OFF.
3. Disconnect gas line.
4. Heater is stored upright in a secure location.



To enjoy years of outstanding performance from your heater, make sure you perform the following maintenance activities on a regular basis:

## KEEP EXTERIOR SURFACES CLEAN.

1. Use soapy water for cleaning. Never use flammable or corrosive cleaning agents.
2. While cleaning your unit, be sure to keep the area around the burner and control compartment dry at all times. Do not submerge the control valve assembly. If the gas control is submerged in water, do NOT use it. It must be replaced.
3. Air flow must be unobstructed. Keep controls, burner, and circulating air passageways clean. Signs of possible blockage include:
  - Gas odor with extreme yellow tipping of flame.
  - Heater does NOT reach the desired temperature.
  - Heater glow is excessively uneven.
  - Heater makes popping noise.
  - Spiders and insects can nest in burner or orifices. This dangerous condition can damage heater and render it unsafe for use. Clean burner holes by using a heavy-duty pipe cleaner. Compressed air may help clear away smaller particles.
  - Carbon deposits may create a fire hazard. Clean dome and burner screen with warm soapy water if any carbon deposits develop.

**Note:** In a salt-air environment (such as near an ocean), corrosion occurs more quickly than normal. Frequently check for corroded areas and repair them promptly.



## TIP FOR STAINLESS STEEL MODELS:

Use high-quality automobile wax to help maintain the appearance of your heater. Apply to exterior surfaces from the post down. DO NOT apply to emitter screen or domes.

## WARNING

### FOR YOUR SAFETY

- Do NOT touch or move heater for at least 45 minutes after use.
- Reflector is hot to the touch.
- Allow reflector to cool before touching.

## STORAGE:

### Between uses:

- Turn control knob OFF.
- Disconnect LP source.
- Store heater upright in an area sheltered from direct contact with inclement weather (such as rain, sleet, hail, snow, dust and debris).
- If desired, cover heater to protect exterior surfaces and to help prevent build-up in air passages. Never leave LPG tank exposed to direct sunlight or excessive heat.

**Note:** Wait until heater is cool before covering.

## SERVICE:

Only a qualified service person should repair gas passages and associated components.

**Caution:** Always allow heater to cool before attempting service.



PROBLEM	POSSIBLE CAUSE	CORRECTIVE ACTION
Main burner will not light	Gas valve may be off	Turn gas valve ON
	Fuel tank may be empty	Refill LPG tank
	Orifice blocked	Clean or replace orifice
	Air in supply system	Purge air from lines: open gas lines and depress control knob for 2-3 minutes. Allow gas to dissipate before attempting to light.
	Loose connection	Check all fittings
	Igniter fails	Use stick lighter to manually light
	Gas pressure low with valve open full	Replace cylinder or regulator
	New cylinder or 1st ignition	Purge air from lines
	Cylinder valve on, no gas flow	Replace hose/regulator assembly
Low burner flame	Pressure is low	Replace LPG tank
	Tank is low on fuel	Fill LPG tank
	Gas hose is kinked	Check and straighten or replace
Burner unit	Carbon on reflector and emitter screen	Clean components as needed
	Thick black smoke	Blockage in burner assembly—thoroughly clean burner



## Questions, problems, missing parts?

Before returning to your retailer, our exceptional customer service is available.

Call us toll-free at **(866) 985-7877**, seven days a week, 9 a.m. – 9 p.m., EST, email us at **[cservice@welltraveled.net](mailto:cservice@welltraveled.net)**, or go online and live chat at **[www.balkenehome.com](http://www.balkenehome.com)**.





by

BALKENE  
— HOME —



## LIMITED WARRANTY

Customers in the Contiguous US

With proof of purchase from an authorized retailer, this product is warranted for a period of 1 year from original purchase date against defects in materials and workmanship under normal use. This warranty does NOT cover normal wear/weathering, exposure to water, freezing temperatures, oils, fluids, or chemicals OR use in a commercial context if the unit is not designated as a commercial model. At Well Traveled Living's sole discretion, products under warranty will be repaired and/or replaced at no charge to the customer. Returns sent back to Well Traveled Living must be sent via prepaid freight in the original retail packaging.

For warranty service, contact Well Traveled Living at the address, phone numbers or website and email listed in this owner's manual. Be sure to have your sales receipt, date of purchase and catalogue/model numbers available when calling. All warranty service will be coordinated by Well Traveled Living's, Amelia Island, Florida service center. This warranty is extended only to the original owner. Proof of purchase will be required before warranty service is rendered. The sales receipt is the only valid proof of purchase. This warranty only covers failures due to defects in materials or workmanship which occur during normal use. Failures and/or damage which result from accident, negligence, misuse, abuse, neglect, mishandling, alteration or modification, failure to maintain, improper assembly or maintenance, service by unauthorized agency or use of unauthorized components or damage that is attributable to acts of God are NOT covered.

This limited warranty gives you specific legal rights and you may also have other rights which vary from jurisdiction to jurisdiction. The provisions of the United Nations Convention on Contracts for the Sales of Goods shall not apply to this limited warranty or the sale of products covered by this limited warranty.

- THERE ARE NO EXPRESS WARRANTIES EXCEPT AS LISTED.
- PURCHASER ASSUMES ALL RISKS IN THE ASSEMBLY AND OPERATION OF THIS UNIT.
- FAILURE TO FOLLOW WARNINGS AND OPERATIONAL INSTRUCTIONS CONTAINED IN THIS MANUAL CAN RESULT IN SEVERE PROPERTY DAMAGE AND/OR PERSONAL INJURY.
- IN NO EVENT WILL WELL TRAVELED LIVING, OR ITS DIRECTORS, OFFICERS OR AGENTS BE LIABLE TO THE PURCHASER OR ANY THIRD PARTY, WHETHER IN CONTRACT, IN TORT, OR ON ANY OTHER BASIS, FOR ANY INDIRECT, SPECIAL, PUNITIVE, EXEMPLARY, CONSEQUENTIAL, OR INCIDENTAL LOSS, COST, OR DAMAGE ARISING OUT OF OR IN CONNECTION WITH THE SALE, MAINTENANCE, USE, OR INABILITY TO USE THE PRODUCT, EVEN IF WELL TRAVELED LIVING OR ITS DIRECTORS, OFFICERS OR AGENTS HAVE BEEN ADVISED OF THE POSSIBILITY OF SUCH LOSSES, COSTS OR DAMAGES, OR IF SUCH LOSSES, COSTS, OR DAMAGES ARE FORESEEABLE. IN NO EVENT WILL WELL TRAVELED LIVING, OR ITS OFFICERS, DIRECTORS, OR AGENTS BE LIABLE FOR ANY DIRECT LOSSES, COSTS OR DAMAGES THAT EXCEED THE PURCHASE PRICE OF THE PRODUCT.
- SOME JURISDICTIONS DO NOT ALLOW THE EXCLUSION OR LIMITATION OF INCIDENTAL OR CONSEQUENTIAL DAMAGES, SO THE ABOVE LIMITATION OR EXCLUSION MAY NOT APPLY TO THE PURCHASER.

## EXTEND YOUR WARRANTY

When you purchase a Fire Sense or Balkene Home product from any authorized retailer, you'll have peace of mind in knowing that it comes with a one-year warranty. Extend your warranty for *an additional year* when you review your item at [balkenehome.com](http://balkenehome.com) within 365 days of purchase.



### Important Notice

Do NOT return to place of purchase—for customer service and warranty issues:

Call toll-free	<b>(866) 985-7877</b>	9 a.m. – 9 p.m., EST
Email	<b><a href="mailto:cservice@welltraveled.net">cservice@welltraveled.net</a></b>	
Live chat	<b><a href="http://balkenehome.com">balkenehome.com</a></b>	9 a.m. – 6 p.m., EST, Mon.–Fri.

Distributed by:  
Well Traveled Living  
716 S 8th Street, Amelia Island, FL 32034  
[balkenehome.com](http://balkenehome.com)  
[cservice@welltraveled.net](mailto:cservice@welltraveled.net)  
(866) 985-7877