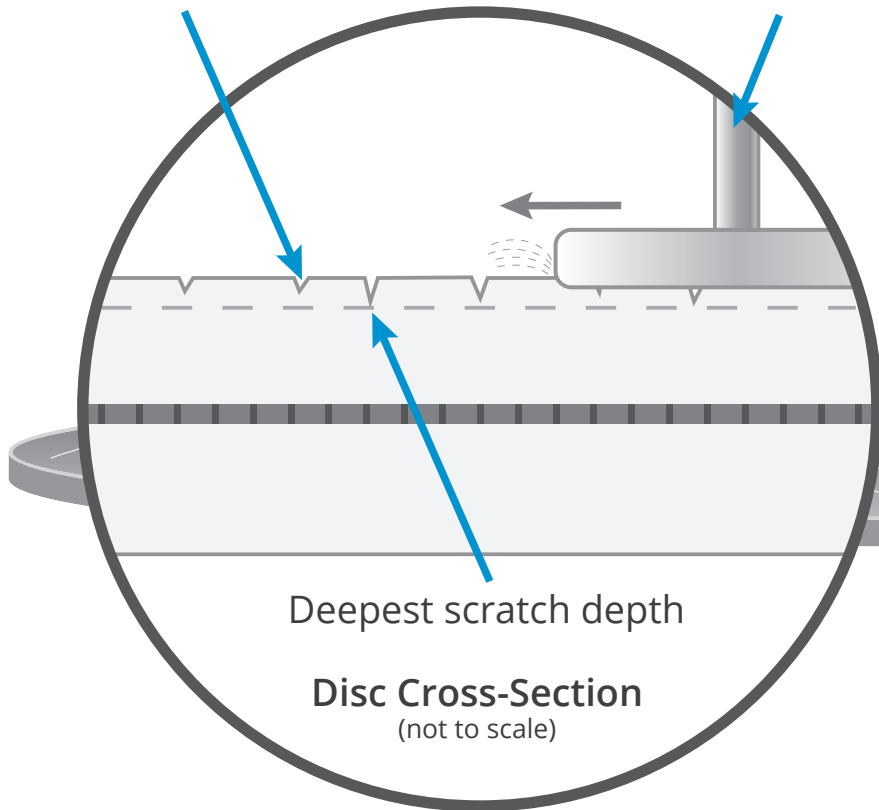


# Disc Repair - Damaged Surface Removal

## Start

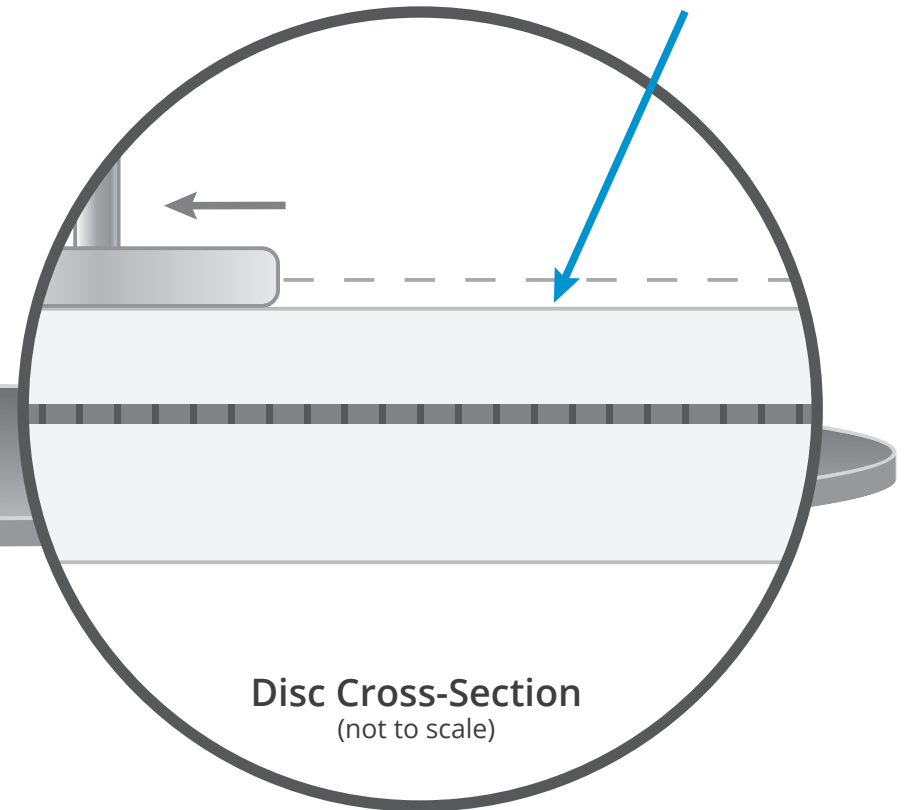
Scratched Shiny Surface      Repair Pad



The disc polishing process takes layers off the shiny side of the disc, this is carried out until the depth of the deepest scratch has been reached. Then the surface will be scratch free.

## Finish

Newly Revealed Surface



When sufficient repair time has passed, the disc will look and play like new again. The material removed is usually less than 1% of the disc's thickness, allowing for future repairs.