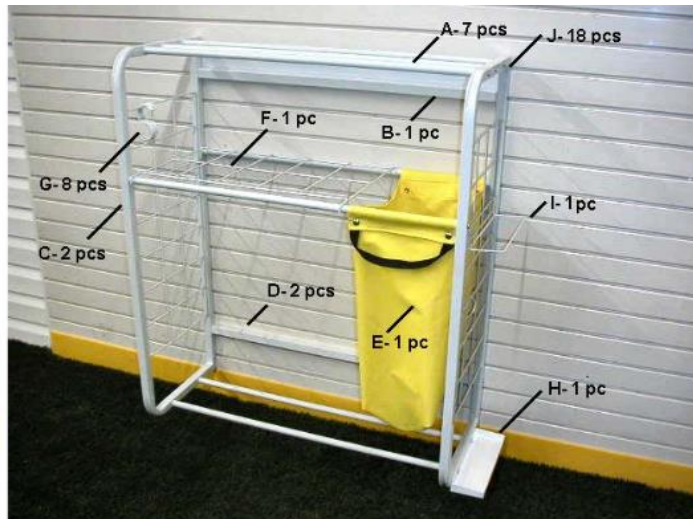


FX2010E Hobby / Sports Centre Assembly Instructions



Package Contents:

- 7 x Round Tubes
- 1 x Hanging Bracket
- 2 x Side Panels
- 2 x Square Tubing
- 1 x Canvas Bag
- 1 x Shelf
- 8 x Hanger Hooks
- 1 x Holder Base
- 1 x Stick Holder
- 18 x Screws

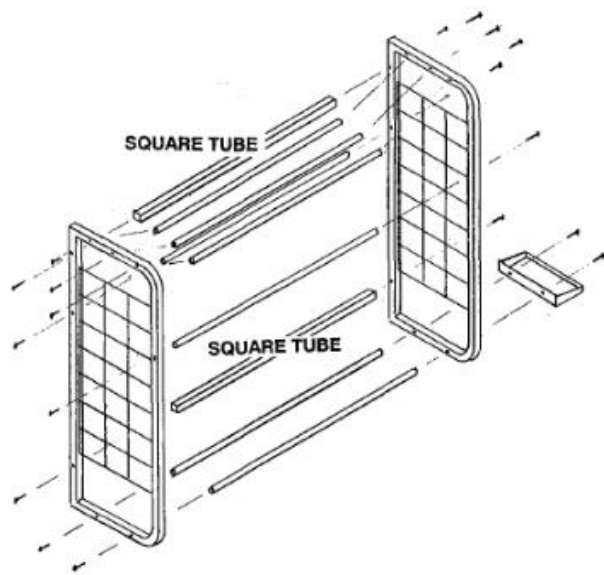
Tools Required:

- Drill
- Phillips Bit

Step 1: Check all parts have been received

Step 2: Using the supplied screws, assemble the 7 round tubes and the 2 square tubes as shown below.

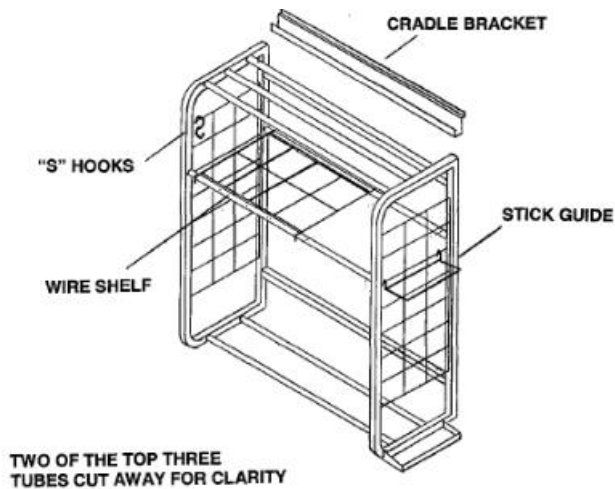
If you have any questions or need some advice, please do call us on 01491 579975 or email us at info@garageflex.co.uk and we will do our best to help.



Step 3: Fasten the bottom tray on the lower right hand side

Step 4: Position the middle wire shelf with the "S" hooks and the stick guide on the rack

Step 5: Put the mounting bracket onto the FlexiPanel



Step 6: Position and snap the yellow canvas bag over the middle round tubes

Step 7: Lift the rack and place the top square tube in the wall mounted bracket.