

BERLIN
GARDENS

2023

FURNITURE MANUAL

S
T
E
E
T
N
E
C
O
N
T
E
N
T
S

Furniture Box Sizes and Weights 3

Dimensions

Nordic Collection... 8

Classic Terrace Collection 10

Mayhew Collection 14

Comfo-Back Collection 21

Cozi-Back Collection 25

Bristol Collection 28

Casual-Back Collection and Rocker 30

Garden Classic Tables 31

Garden Classic Benches 34

Harbor Collection 35

Homestead Tables 39

Outdoor Bars, Island and Bar Stools 40

Accessories..... 42

Donoma Firepits..... 45

Rectangular Firepits..... 46

Picnic Tables..... 47

A-Frames 48

Arbors..... 48

Bradford Pergola..... 49

Umbrella and Umbrella Accessories 50

Cushions 51

Cleaning Products..... 59

Sunbrella Stain Chart 60

Fabric Warranty 61

Cushion Care and Cleaning..... 62

Cleaning Instructions for Poly Furniture..... 63

Proper Care & Maintenance for (HDPE) Poly Furniture 64

Poly Furniture Warranty..... 65

Proper Care & Maintenance for Outdoor Fire Pit..... 66

Fire Pit Warranty..... 67

Attention: Please allow up to a 1/2"
variance from measurements given in this
manual, due to tolerance stack up.

Furniture Box Sizes and Weights

FM-3

Product Description	Model #	Dimensions	Packaged Weight	Actual Weight
Nordic				
Club Chair	NCC2924	34x25x9	62	60
High Back Club Chair	NHCC2934	34x28x10	66	62
Rocker	NR2924	(Box #1) 34x24x9, (Box #2) 21x21x8	(#1) 62, (#2) 22	80
Loveseat	NL5224	49x36x7	66	62
Sofa	NS7424	71x25x9	108	102
Square End Table	NSET1819	22x19x6	25	24
Rectangular Coffee Table	NRCT4719	49x25x6	56	52
Ottoman	NO249	25x24x10	32	30
Adirondack Chair	NAC2939	42x26x10	54	50
Round End Table	NRET1819	21x20x2	12	10
Adirondack Footstool	NAF1721	23x15x5	19	18
Classic Terrace				
Swivel Rocker	CTSR3034	35x31x28	73	64
Club Chair	CTCC3034	36x35x32	56	48
Loveseat	CTL5734	36x35x57	90	72
Sofa	CTS8034	36x35x82	124	108
Corner section	CTCS5742	42x42x35	78	64
Left & Right Arm Sectional Club Chair	CTLSC2934 & CTRSC2934	36x35x32	52	42
Left & Right Arm Sectional Loveseat	CTL5L5334 & CTR5L5334	36x35x57	86	72
Left & Right Arm Sectional Sofa	CTLSS7934 & CTRSS7934	36x35x82	120	102
Center Armless Chair	CTCAS2434	36x34x29	38	32
End Table	CTET2520	24x21x28	32	28
Square Coffee Table	CTSCT4545	47x47x19	92	82
Rectangle Coffee Table	CTCT4818	25x19x53	50	42
Ottoman	CTO2511	24x12x27	26	24
Dining Chair	CTDC2744	27x26x44	48	40
Loveseat Swing	CTLSW55727	35x29x57	94	82
High Back Swivel Rocker	CTHSR3045	37x31x38H	94	84
Mayhew				
Club Chair	MHCC2834	36x35x32	52	40
Loveseat	MHLS234	36x35x57	80	66
Sofa	MHS7834	36x35x82	110	92
Swivel Rocker	MHSR3034	34x28x29	70	64
Corner section	MHCS4747	36x36x38	56	46
Left & Right Arm Sectional Club Chair	MHLSC2734 & MHRSC2734	36x35x32	44	36
Left & Right Arm Sectional Loveseat	MHLSL5134 & MHRSL5134	36x35x57	80	62
Left & Right Arm Sectional Sofa	MHLSS7734 & MHRSS7734	36x35x82	104	88
Center Armless Chair	MHCAS2334	36x34x29	36	30
Rectangle Coffee Table	MHRCT4818	48x26x18	48	42
Square End Table	MHSET2020	22x20x20	20	18
Ottoman	MHO2611	27x27x11	26	24
Stationary Adirondack Chair	MHSAC3039	43x26x8	44	38
Chat Chair	MHCTC2734	41x28x9	44	42
Chat Dining Chair	MHCDC2639	42x27x8	48	44
Chat Counter Chair	MHCCC2644	48x27x9	54	50
Chat Bar Chair	MHCBC2647	50x27x9	56	52
Chat XT Chair	MHCXT2651	53x27x9	56	52
Chat Swivel Rocker Dining Chair	MHCS2638	(Box #1) 41x25x7, (Box #2) 22x22x10	(#1) 42, (#2) 16	52
Chat Swivel Counter Chair	MHCSC2644	(Box #1) 41x25x7, (Box #2) 23x23x19	(#1) 42, (#2) 20	54
Chat Swivel Bar Chair	MHCSB2647	(Box #1) 41x25x7, (Box #2) 23x23x23	(#1) 42, (#2) 22	56
Chat Swivel XT Chair	MHCST2651	(Box #1) 41x25x7, (Box #2) 23x23x27	(#1) 42, (#2) 24	58
Sling Dining Chair	MHSDAC2236	28x28x23	30	22
Sling Counter Arm Chair	MHSCC2241	36x26x24	34	28
Sling Bar Arm Chair	MHSBC2245	40x25x24	38	32
Sling Dining Swivel Rocker	MHSSD2235	(Box #1) 26x18x24, (Box #2) 22x21x12	(#1) 28, (#2) 14	38
Sling Counter Swivel Chair	MHSSC2241	(Box #1) 26x18x24, (Box #2) 22x22x20	(#1) 28, (#2) 17	38
Sling Bar Swivel Chair	MHSSB2245	(Box #1) 26x18x24, (Box #2) 22x22x20	(#1) 28, (#2) 17	38
Comfo Back				
Kids Adirondack Chair	PATC2400	49x27x8		
Folding Adirondack Chair	PFAC3240	49x32x12	45	38
Adirondack Chair	PATC2400	49x27x8	61	54
Deck Chair	PCTC2400	38x25x12	51	47
Dining Chair	PEDC2127	38x25x12	42	39
Counter Chair	PECC2131	38x25x12	50	47
Bar Chair	PEBC2135	38x25x12	52	49
30" XT Chair	PEXTC2139	41x28x12	54	51

Furniture Box Sizes and Weights

<i>Swivel Rocker Dining Chair</i>	ESDC2127	(Box #1) 31x25x10, (Box #2) 25x24x12	(#1) 37, (#2) 22	50
<i>Swivel Counter Chair</i>	ESCC2131	(Box #1) 31x25x10, (Box #2) 27x27x22	(#1) 37, (#2) 22	50
<i>Swivel Bar Chair</i>	ESBC2135	(Box #1) 31x25x10, (Box #2) 27x27x22	(#1) 37, (#2) 25	53
<i>30" Swivel XT Chair</i>	ESXC2139	(Box #1) 31x25x10, (Box #2) 28x27x27	(#1) 37, (#2) 27	56
<i>Swivel Glider</i>	PCSG2644	(Box #1) 38x25x12, (Box #2) 27x26x11	(#1) 50, (#2) 38	78
<i>Single Glider</i>	PCTG2400	38x25x12	69	65
<i>Single Counter Glider</i>	PCCG2400	38x25x14	76	72
<i>Double Glider</i>	PCTG4800	(Box #1) 49x27x8, (Box #2) 48x37x5	(#1) 61, (#2) 42	93
<i>Double Counter Glider</i>	PCCG4800	(Box #1) 49x27x12, (Box #2) 48x37x5	(#1) 80, (#2) 42	112
<i>Double Swing</i>	PCTS4800	(Box #1) 49x26x8, (Box #2) 48x37x5	(#1) 41, (#2) 43	73
<i>Three Seat Glider</i>	PCTG6000	(Box #1) 60x36x5, (Box #2) 61x27x8	(#1) 62, (#2) 70	120
<i>Three Seat Swing</i>	PCTS6000	(Box #1) 60x36x5, (Box #2) 61x27x8	(#1) 62, (#2) 50	94
<i>Loveseat</i>	PCLS4800	(Box #1) 50x30x9, (Box #2) 48x37x5	(#1) 48, (#2) 42	78
<i>Rocker</i>	PCTR2400	40x28x10	52	49
<i>Chaise Lounge</i>	PCCL7400	73x27x8	88	80
Cozi Back				
<i>Dining Chair</i>	PZDC2127	38x25x12	46	42
<i>Counter Chair</i>	PZCC2131	38x25x12	54	50
<i>Bar Chair</i>	PZBC2135	38x25x12	53	52
<i>30" XT Chair</i>	PZXC2139	41x28x12	54	51
<i>Swivel Rocker Dining Chair</i>	ZSDC2127	(Box #1) 31x25x10, (Box #2) 25x24x12	(#1) 36, (#2) 22	49
<i>Swivel Counter Chair</i>	ZSCC2131	(Box #1) 31x25x10, (Box #2) 27x27x22	(#1) 36, (#2) 24	51
<i>Swivel Bar Chair</i>	ZSBC2135	(Box #1) 31x25x10, (Box #2) 27x27x22	(#1) 36, (#2) 26	57
<i>30" Swivel XT Chair</i>	ZSXRC2139	(Box #1) 31x25x10, (Box #2) 28x27x27	(#1) 37, (#2) 27	56
<i>Swivel Glider</i>	ZPSG2638	(Box #1) 38x25x12, (Box #2) 27x26x11	(#1) 47, (#2) 38	75
<i>Single Glider</i>	PZTG2400	38x25x12	66	62
<i>Single Counter Glider</i>	PZCG2400	38x25x14	73	69
<i>Double Glider</i>	PZTG4800	(Box #1) 49x27x8, (Box #2) 48x37x5	(#1) 62, (#2) 34	86
<i>Double Counter Glider</i>	PZCG4800	(Box #1) 49x27x12, (Box #2) 48x37x5	(#1) 80, (#2) 34	105
<i>Double Swing</i>	PZTS4800	(Box #1) 49x26x8, (Box #2) 48x37x5	(#1) 40, (#2) 34	64
<i>Three Seat Glider</i>	PZTG6000	(Box #1) 60x36x5, (Box #2) 61x27x8	(#1) 54, (#2) 70	110
<i>Three Seat Swing</i>	PZTS6000	(Box #1) 60x36x5, (Box #2) 61x27x8	(#1) 54, (#2) 50	84
<i>Loveseat</i>	PZLS4800	(Box #1) 50x30x9, (Box #2) 48x37x5	(#1) 48, (#2) 34	72
Casual Back				
<i>Double Swing</i>	PLTS4800	50x30x9	62	55
<i>Three Seat Swing</i>	PLTS6000	62x30x9	77	69
<i>Chaise Lounge</i>	PLCL7400	73x27x8	78	70
Bristol				
<i>Dining Chair</i>	BDC2037	37x19x21	28	24
<i>Counter Chair</i>	BCC2041	42x22x22	34	30
<i>Bar Chair</i>	BBC2045	46x22x22	38	34
<i>XT Chair</i>	BXTC2049	49x22x22	42	36
<i>Swivel Rocker Dining Chair</i>	BSRDC2036	(Box #1) 25x21x7, (Box #2) 22x21x12	(#1) 22, (#2) 19	38
<i>Swivel Counter Chair</i>	BSCC2041	(Box #1) 25x21x7, (Box #2) 22x22x20	(#1) 22, (#2) 26	42
<i>Swivel Bar Chair</i>	BSBC2045	(Box #1) 25x21x7, (Box #2) 22x22x24	(#1) 22, (#2) 26	42
<i>Swivel XT Chair</i>	BSXTC2049	(Box #1) 25x21x7, (Box #2) 22x22x27	(#1) 22, (#2) 28	44
<i>Arm Kit</i>	BAK1022	23x14x4	5	4
Accessories				
<i>Folding End Table</i>	PFET1522	28x22x8	16	14
<i>Folding Adirondack Footstool</i>	PFAF2417	25x22x5	18	16
<i>Folding Mayhew Footstool</i>	MAFF2415	25x22x7	18	16
<i>Round End Table Regular Height</i>	PRET2122	32x24x5	29	26
<i>Round End Table Counter Height</i>	PRET2922	32x24x5	31	28
<i>Round End Table Bar Height</i>	PRET3222	32x24x5	33	30
<i>Rectangular End Table Regular Height</i>	RTET2115	22x16x5	18	17
<i>Rectangular End Table Counter Height</i>	RTET2915	32x16x5	20	18
<i>Rectangular End Table Bar Height</i>	RTET3315	32x16x5	21	19
<i>Rectangular Coffee Table</i>	POCT2235	30x21x5	32	31
<i>38" Round Conversation Table</i>	PRCT0018	42x40x7	63	59
<i>Gliding Settee Table</i>	PGST2400	30x20x13	24	21
<i>Adirondack Footstool</i>	PAFS2400	27x24x5	18	17
<i>Gliding Footstool</i>	PVGF2100	20x19x6	26	24
<i>Stationary Footstool</i>	PVSF2100	20x19x6	14	12
<i>Cupholder</i>	PVCH0000	8x6x6		1
<i>Dining/Bar Chair Tete-a-Tete</i>	DTAT1819	20x3x21	14	12
<i>Adirondack Chair Tete-a-Tete</i>	ATAT1823	19x3x25	16	14
<i>Round Trash Can</i>	RTC32	28x28x32	72	64
<i>Trash Can Rain Guard</i>	RG717	18x18x8	8	6
Donoma Fire Pits & Tables				

Furniture Box Sizes and Weights

FM-5

44" Round Fire Pit	DFPP2544	(Box#1) 27x27x27 (Box#2)19x11x9 (Box#3) 46x46x4	(#1) 102, (#2) 10, (#3) 50	150
44" Round Fire Table Dining	DRFT3044D	(Box#1) 26x26x30 (Box#2) 46x46x4	(#1) 107, (#2) 45	139
44" Round Fire Table Counter	DRFT3644C	(Box# 1) 36x26x26 (Box# 2) 46x46x4	(#1) 120, (#2) 50	158
44" Round Fire Table Bar	DRFT3944B	(Box#1) 26x26x39 (Box#2) 46x46x4	(#1) 129, (#2) 45	161
42" x 54" Rectangular Fire Pit	DRFP4254	(Box #1) 54x42x4, (Box #2) 34x22x24	(#1) 72, (#2) 112	184
42"x54" Rectangular Fire Table Dining	DRFT4254D	(Box #1) 54x42x4, (Box #2) 34x22x30	(#1) 74, (#2) 130	189
42" x 54" Rectangular Fire Table Counter	DRFT4254C	(Box #1) 54x42x4, (Box #2) 34x22x26	(#1) 72, (#2) 138	210
42"x54" Rectangular Fire Table Bar	DRFT4254B	(Box #1) 54x42x4, (Box #2) 34x22x39	(#1) 74, (#2) 156	215
Porch Rocker				
Porch Rocker	PR2545	50x24x7	42	36
Harbor Tables				
38" Round Table Dining	HRT0038D	42x40x7	56	50
38" Round Table Counter	HRT0038C	42x40x7	63	57
38" Round Table Bar	HRT0038B	42x40x7	63	57
48" Round Table Dining	HRT0048D	50x50x7	76	70
48" Round Table Counter	HRT0048C	50x50x7	84	78
48" Round Table Bar	HRT0048B	50x50x7	84	78
60" Round Table Dining	HRT0060D	62x62x7	120	109
60" Round Table Counter	HRT0060C	62x62x7	129	118
60" Round Table Bar	HRT0060B	62x62x7	129	118
44" x 64" Oblong Table Dining	HOT4464D	66x46x7	108	93
44" x 64" Oblong Table Counter	HOT4464C	66x46x7	112	102
44" x 64" Oblong Table Bar	HOT4464B	66x46x7	112	102
28" Square Table Dining	HST0028D	40x33x7	47	41
28" Square Table Counter	HST0028C	40x33x7	52	46
28" Square Table Bar	HST0028B	40x33x7	52	46
33" Square Table Dining	HST0033D	40x34x7	53	48
33" Square Table Counter	HST0033C	40x34x7	59	54
33" Square Table Bar	HST0033B	40x34x7	59	54
44" Square Table Dining	HST0044D	45x45x7	80	74
44" Square Table Counter	HST0044C	45x45x7	88	82
44" Square Table Bar	HST0044B	45x45x7	88	82
33" x 66" Rectangular Table Dining	HRT3366D	67x34x7	100	89
33" x 66" Rectangular Table Counter	HRT3366C	67x34x7	109	98
33" x 66" Rectangular Table Bar	HRT3366B	67x34x7	109	98
44" x 72" Rectangular Table Dining	HRT4472D	73x46x7	132	120
44" x 72" Rectangular Table Counter	HRT4472C	73x46x7	146	134
44" x 72" Rectangular Table Bar	HRT4472B	73x46x7	146	134
44" x 96" Rectangular Table Dining	HRT4496D	101x46x7	175	157
44" x 96" Rectangular Table Counter	HRT4496C	101x46x7	189	171
44" x 96" Rectangular Table Bar	HRT4496B	101x46x7	189	171
Garden Classic Tables				
38" Round Table Dining	GCRT0038D	42x40x7	70	63
38" Round Table Counter	GCRT0038C	42x40x7	75	68
38" Round Table Bar	GCRT0038B	42x40x7	80	73
48" Round Table Dining	GCDT0048D	50x50x7	93	85
48" Round Table Counter	GCDT0048C	50x50x7	100	92
48" Round Table Bar	GCDT0048B	50x50x7	105	97
60" Round Table Dining	GCT0060D	62x62x7	140	129
60" Round Table Counter	GCT0060C	62x62x7	150	139
60" Round Table Bar	GCT0060B	62x62x7	152	141
44" x 64" Oblong Table Dining	GCST4464D	66x46x7	115	104
44" x 64" Oblong Table Counter	GCST4464C	66x46x7	121	110
44" x 64" Oblong Table Bar	GCST4464B	66x46x7	132	121
28" Square Table Dining	GCT0028D	40x33x7	56	51
28" Square Table Counter	GCT0028C	40x33x7	61	56
28" Square Table Bar	GCT0028B	40x33x7	65	60
33" Square Table Dining	GCT0033D	40x34x7	65	60
33" Square Table Counter	GCT0033C	40x34x7	75	70
33" Square Table Bar	GCT0033B	40x34x7	79	74
44" Square Table Dining	GCLT0044D	45x45x7	85	78
44" Square Table Counter	GCLT0044C	45x45x7	95	88
44" Square Table Bar	GCLT0044B	45x45x7	105	98
33" x 66" Rectangular Table Dining	GCRT3366D	67x34x7	112	101
33" x 66" Rectangular Table Counter	GCRT3366C	67x34x7	125	114
33" x 66" Rectangular Table Bar	GCRT3366B	67x34x7	129	118
44" x 72" Rectangular Table Dining	GCIT4472D	73x46x7	161	149
44" x 72" Rectangular Table Counter	GCIT4472C	73x46x7	171	159
44" x 72" Rectangular Table Bar	GCIT4472B	73x46x7	181	169
44" x 96" Rectangular Table Dining	GCOT4496D	101x46x7	200	185

Furniture Box Sizes and Weights

44" x 96" Rectangular Table Counter	GCOT4496C	101x46x7	220	205
44" x 96" Rectangular Table Bar	GCOT4496B	101x46x7	240	225
44" x 72" Rectangular Fire Table Dining	GCFT4472D	(Box #1) 73x46x7, (Box #2) 23x23x31, (Box #3) 45x16x7, (Box #4) 16x46x6	(#1) 108 (#2) 72 (#3) 36 (#4) 16	211
44" x 72" Rectangular Fire Table Counter	GCFT4472C	(Box #1) 73x46x7, (Box #2) 23x23x36, (Box #3) 45x16x7, (Box #4) 16x46x6	(#1) 112 (#2) 86 (#3) 36 (#4) 16	229
44" x 72" Rectangular Fire Table Bar	GCFT4472B	(Box #1) 73x46x7, (Box #2) 23x23x40, (Box #3) 45x16x7, (Box #4) 16x46x6	(#1) 128 (#2) 98 (#3) 36 (#4) 16	251
44" x 96" Rectangular Fire Table Dining	GCFT4496D	(Box #1) 101x46x7, (Box #2) 23x23x31, (Box #3) 45x16x7, (Box #4) 16x46x6	(#1) 148 (#2) 72 (#3) 36 (#4) 16	247
44" x 96" Rectangular Fire Table Counter	GHCFT4496C	(Box #1) 101x46x7, (Box #2) 23x23x36, (Box #3) 45x16x7, (Box #4) 16x46x6	(#1) 152 (#2) 86 (#3) 36 (#4) 16	265
44" x 96" Rectangular Fire Table Bar	GCFT4496B	(Box #1) 101x46x7, (Box #2) 23x23x40, (Box #3) 45x16x7, (Box #4) 16x46x6	(#1) 168 (#2) 98 (#3) 36 (#4) 16	289

Harbor Benches

44" Bench Dining	HB4418D	46x17x5	34	31
44" Bench Counter	HB4423C	46x17x5	35	32
66" Bench Dining	HB6618D	68x17x5	50	46
66" Bench Counter	HB6623C	68x17x5	53	48

Garden Classic Benches

44" Bench Dining	GCDB4418	46x17x5	40	38
44" Bench Counter	GCCB4423	46x17x5	43	40
66" Bench Dining	GCDB6618	68x17x5	60	55
66" Bench Counter	GCCB6623	68x17x5	62	56

Homestead Table

44" Square Dining Table	HDT0044D	(Box #1) 48x46x4 (Box #2) 32x24x13	(#1) 87 (#2) 52	132
44"x72" Rectangular Dining Table	HDT4472D	(Box #1) 74x47x4 (Box #2) 31x24x12	(#1) 160 (#2) 52	197

Benches, Picnic Tables, Outdoor Bar and Bar Stools

Buffet Table	POBT2050	51x36x5	78	71
Outdoor Bar	POBB3955	58x40x8	139	131
Outdoor Bar Stool	POBS1430	32x15x15	28	24
Saddle Counter Stool	SDCS2026	22x16x32	16	14
Saddle Bar Stool	SDBS2131	31x20x14	20	15
Saddle Stool Back Kit	SSBK510	18x5x11	3	2
Octagon Picnic Table	POPT5184	(Box #1) 53x53x4, (Box #2) 52x46x35	(#1) 82, (#2) 156	226
Rectangular Picnic Table	PRPT2872	(Box #1) 73x29x4, (Box #2) 74x16x7, (Box #3) 40x8x58	(#1)76, (#2)80, (#3)78	220
Park Bench	POPB3472	(Box #1) 35x30x10, (Box #2) 74x16x7	(#1) 68, (#2) 90	150
Garden Bench	PGBO4800	50x23x9	65	62
Outdoor Island (with Ice Bowl)	ODIS4272(IB)	(Box #1) 33x73x4, (Box #2) 55x42x8	(#1) 65 (#2) 156	207

Arbors and A-Frames

Vinyl A-Frame	VAF920	92x14x11	260	250
Vinyl A-Frame Roof	VAR100	106x8x6	85	70
Vinyl Swing Arbor	VSA900	89x49x27	466	362

Bradford Pergola

12' x 12' Vinyl Pergola	BVP1212	(Box #1-4) 95x7x7, (Box #5-7) 73x9x9, 9) 70x9x7, (Box #10) 74x10x10, (Box #11) 95x10x10, (Box #12) 15x15x11, (Box #13) 31x15x11	(Box #8 (#1-4)77ea., (#5-7) 87ea., (#8-9) 48ea., (#10) 51, (#11) 63, (#12) 25, (#13) 34	N/A
12' x 14' Vinyl Pergola	BVP1214	(Box #1-4) 95x7x7, (Box #5-6) 85x9x9, 10) 70x9x7, (Box #11) 74x10x10, (Box #12) 95x10x10, (Box #13) 15x15x11, (Box #14) 31x15x11	(Box #7 (#1-4)77ea., (#5-6) 85ea., (#7-10) 48ea., (#11) 51, (#12) 63, (#13) 25, (#14) 34	N/A
14' x 14' Vinyl Pergola	BVP1414	(Box #1-4) 95x7x7, (Box #5-6) 85x9x9, 10)82x9x7, (Box #11) 75x12x10, (Box #12) 95x12x10, (Box #13) 15x15x11, (Box #14) 31x15x11	(Box #7 (#1-4)77ea., (#5-6) 104ea., (#7-10) 58ea., (#11) 66, (#12) 82, (#13) 25, (#14) 34	N/A

Umbrella Items

9' Standard Octagon Umbrella	UFAUT09	73x8x8	17	13
38" Umbrella Extension Pole	UEP40C	38x2x2	2	1
45" Umbrella Extension Pole	UEP44B	45x2x2	2.5	1
32lb Square Umbrella Base	UBS32BK	21x21x4	35	33

Cushion Box Sizes and Weights

Seat Cushions

Nordic Seat Cushion	NSC2325	26x27x9		6
Nordic Ottoman Cushion	NOC2324	22x24x6		6
Classic Terrace Seat Cushion	CTSC2526	26x27x9		7
Classic Terrace Sectional Corner Seat Cushion	CTSCS3535	36x36x9		8
Classic Terrace Dining Seat Cushion	CTDSC1922	19x22x3		2
Classic Terrace Ottoman Cushion	CTOC2324	22x24x6		5
Mayhew Seat Cushion	MSC2527	26x27x9		6
Mayhew Sectional Corner Seat Cushion	MCS2727	36x36x9		6

Furniture Box Sizes and Weights

FM-7

Mayhew Ottoman	MOC2627	26x27x9	6
21" Seat Cushion	CSC1520	20x14x4	2
Single Comfo-Cozi Back Seat Cushion	CSC1622	20x14x4	3
Double Comfo and Cozi-Back Seat Cushion	CSC1846	29x24x5	4
Comfo-Back Chaise Lounge Seat Cushion	CSC2244	29x24x5	4
Mayhew Adirondack Seat Cushion	MASC1924	20x14x4	2
Mayhew Chat Chair Seat Cushion	MCCS2023	24x20x3	2
Double Casual-Back Seat Cushion	LSC1846	29x24x5	9
Three Seat Casual-Back Seat Cushion	LSC1858	29x24x5	10
Casual-Back Chaise Lounge Seat Cushion	LSC2244	29x24x5	5
Three Seat Comfo/Cozi Seat Cushion	CSC1860	60x18x3	5
44" Dining Bench Cushion	DBC1344	29x24x5	9
66" Dining Bench Cushion	DBC1366	29x24x5	10
Nordic Adirondack Seat Cushion	NASC1921	20x14x4	2
Bristol Dining Chair Seat Cushion	BSC1718	20x14x4	2
Mayhew Chat Dining Chair Seat Cushion	MCDS1922	20x14x4	2

Back Cushions

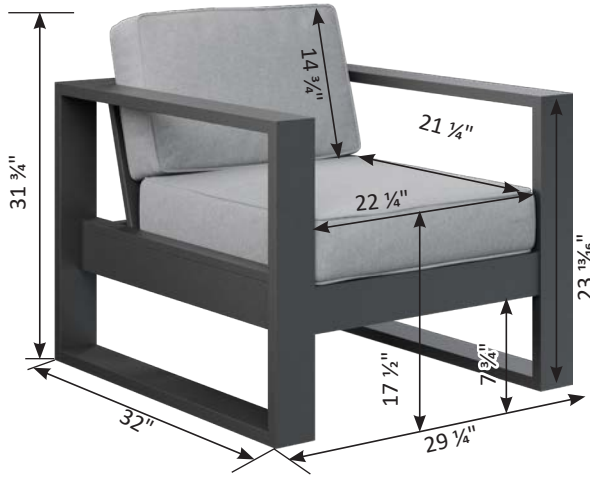
Nordic Back Cushion	NBC1424	24x15x5	4
Nordic High Back Cushion	NBC2124	24x21x7	6
Classic Terrace Back Cushion	CTBC2520	21x24x7	4
Classic Terrace Sectional Corner Back Cushion	CTCBC2066	31x20x13	8
Classic Terrace High Back Cushion	CTHBC2824	28x26x9	6
Mayhew Back Cushion	MBC2024	21x24x7	2
Mayhew Sectional Corner Back Cushion	MCB1958	31x20x13	8
Comfo Back Cushion	CBC2232	16x24x5	3
Mayhew Adirondack Back Cushion	MABC2131	16x24x5	2
Mayhew Chat Chair Back Cushion	MCCB2123	23x21x3	2
Comfo Back Dining Chair Cushion	EBC2028	16x24x5	5
Cozi Back Cushion	ZBC2028	16x24x5	3
Casual Back Chaise Lounge Back Cushion	LBC2229	16x24x5	6
Double Casual Back Cushion	LBC2446	16x24x5	9
Three Seat Casual Back Cushion	LBC2458	29x24x5	10
Comfo Back Three Seat Center Back Cushion	CCB1828	28x18x3	2
Cozi Back Three Seat Center Back Cushion	ZCB1824	24x18x3	2
Nordic Adirondack Back Cushion	NABC1928	16x24x5	2
Bristol Dining Chair Back Cushion	BBC1718	23x21x3	2
Mayhew Chat Dining Chair Back Cushion	MCDB1922	23x21x3	2

Pillows

Neck Pillow	NP516	20x14x4	2
7" x 17" Lumbar Pillow	TP0717	20x14x5	2
15" x 15" Throw Pillow	TP1515	16x24x5	4
17" x 17" Throw Pillow	TP1717	16x24x5	5
15" x 15" Throw Pillow w/cording	TPC1515	15x24x5	4
17" x 17" Throw Pillow w/cording	TPC1717	16x24x5	5
Head Rest Pillow	HRP912	12x9x3	2

Please note: Assembled furniture dimensions can be found in furniture catalogs.

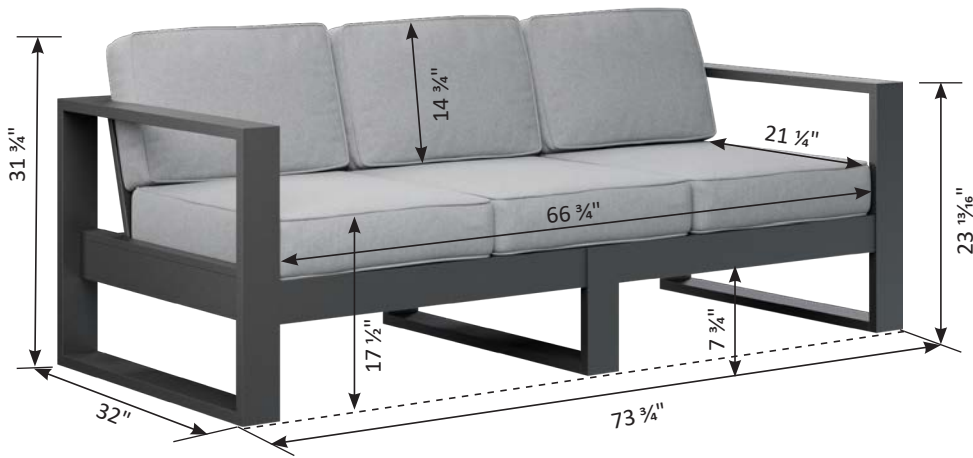
Nordic Collection Dimensions



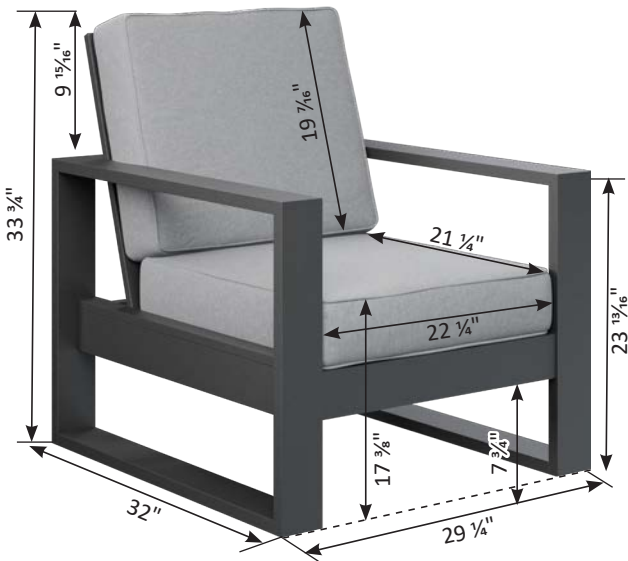
Nordic Cub Chair



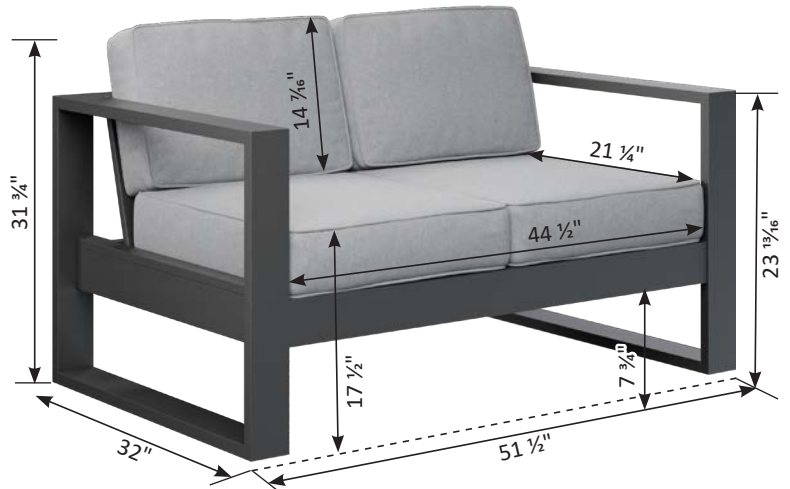
Nordic Rocker



Nordic Sofa



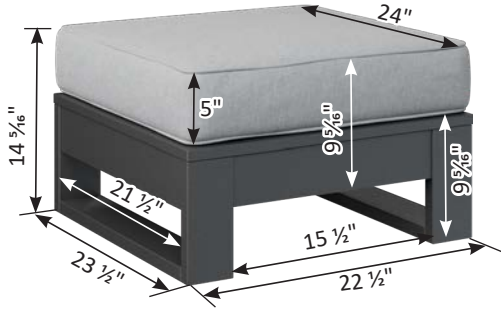
Nordic High Back Club Chair



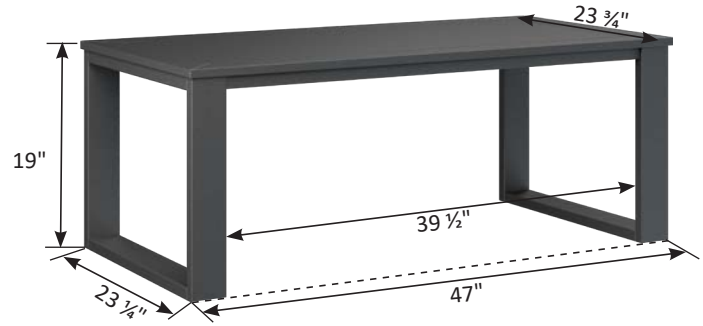
Nordic Loveseat

Nordic Collection Dimensions

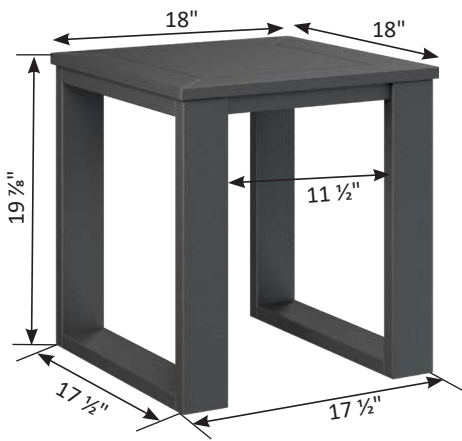
FM-9



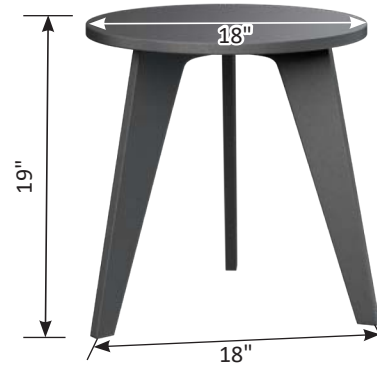
Nordic Ottoman



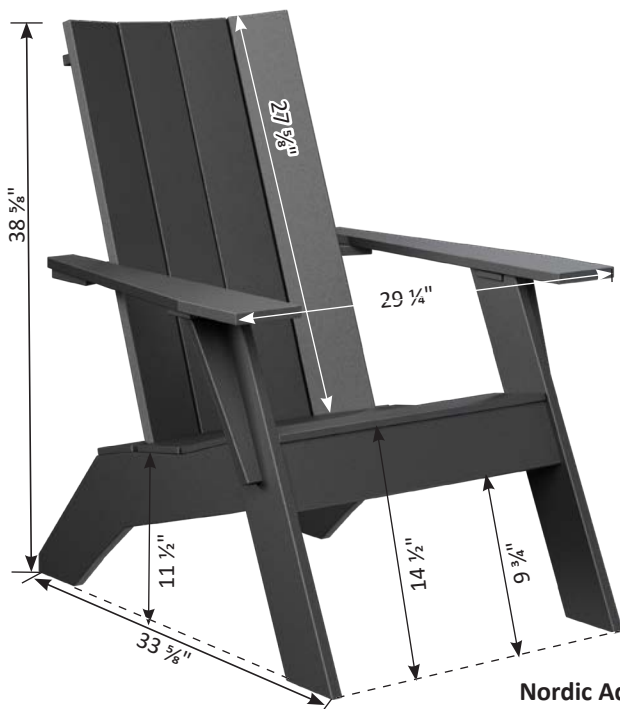
Nordic Rectangular Coffee Table



Nordic Square End Table



Nordic Round End Table

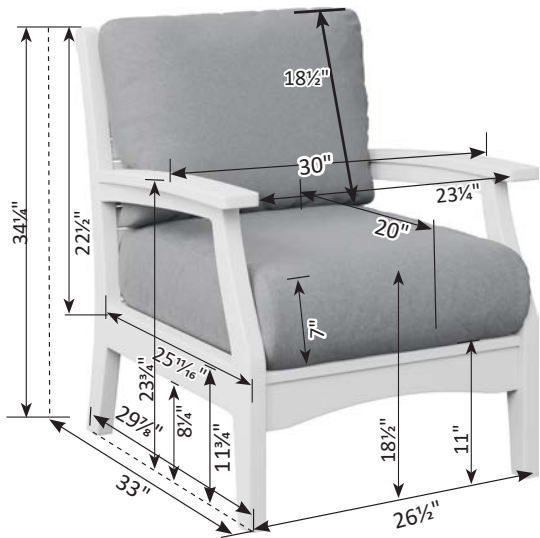


Nordic Adirondack Chair

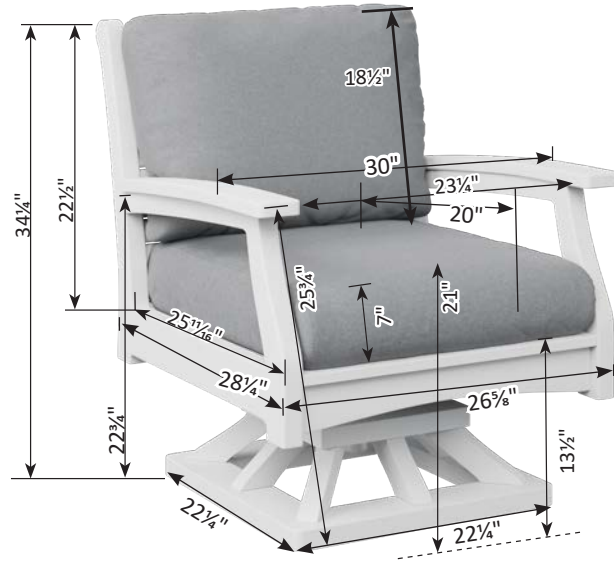


Nordic Footstool

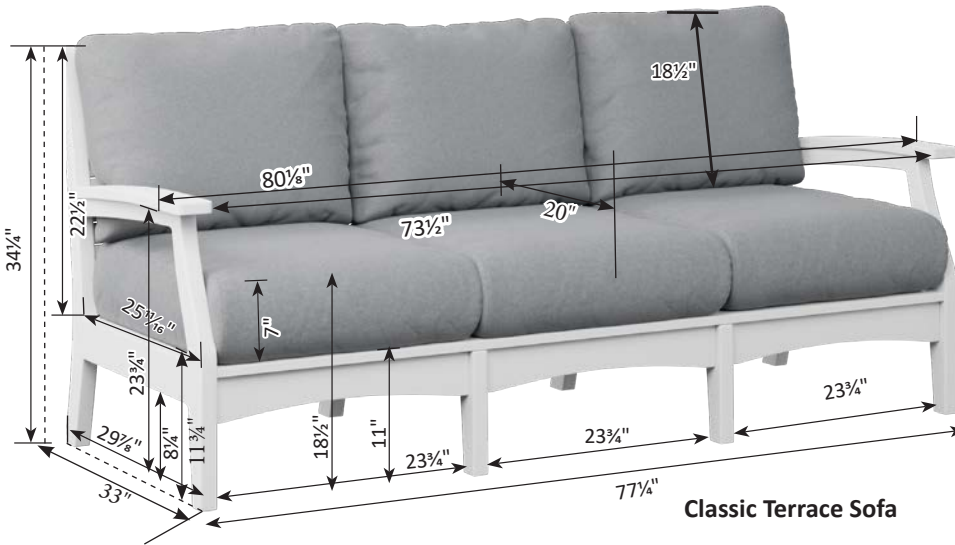
Classic Terrace Collection Dimensions



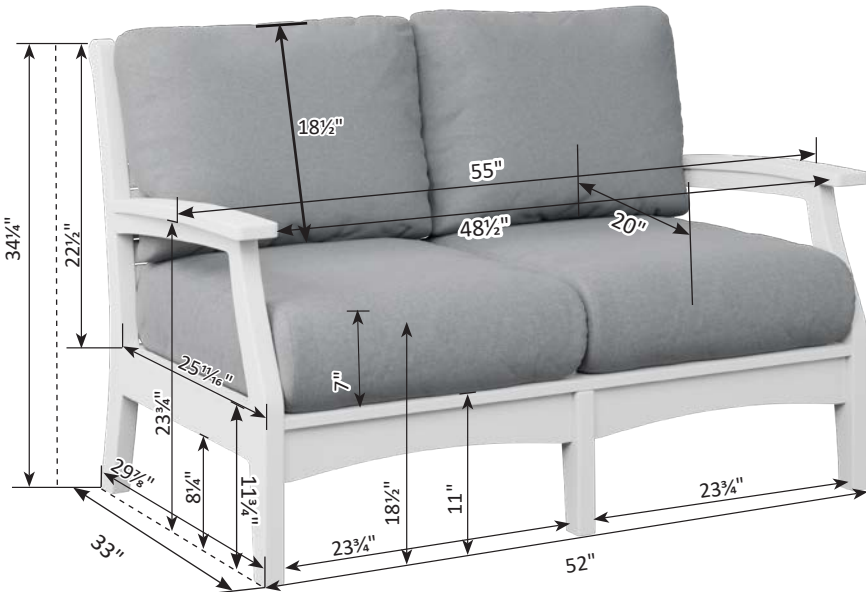
Classic Terrace Club Chair



Classic Terrace Swivel Rocker



Classic Terrace Sofa

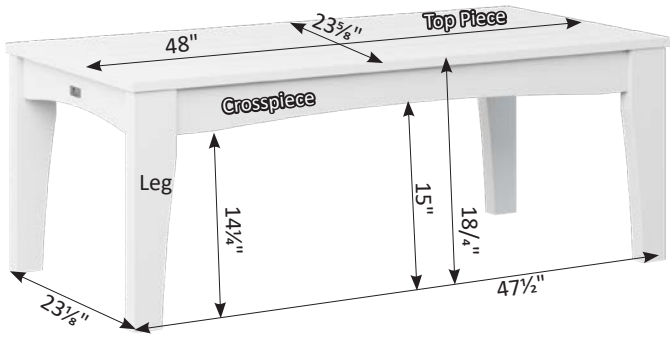


Classic Terrace Loveseat

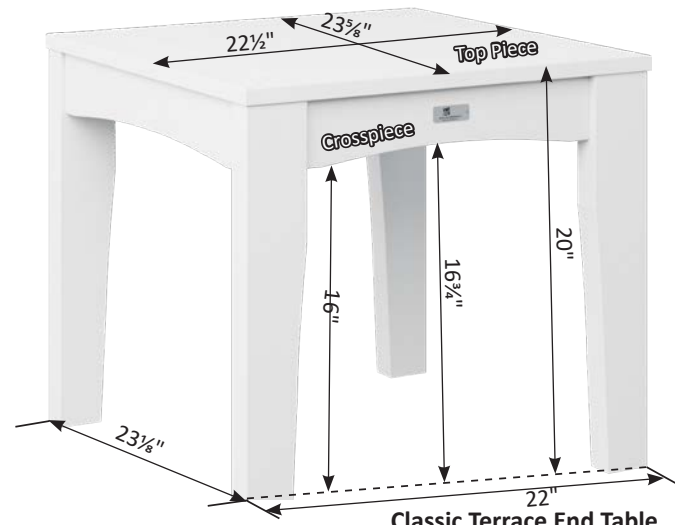


Classic Terrace High Back Swivel Rocker

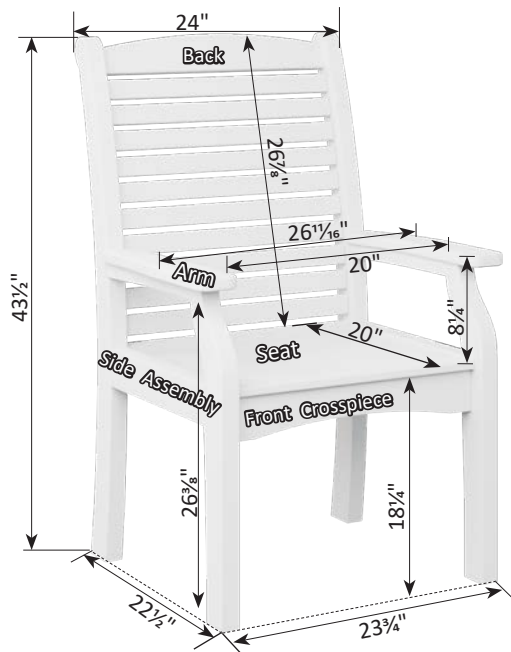
Classic Terrace Collection Dimensions



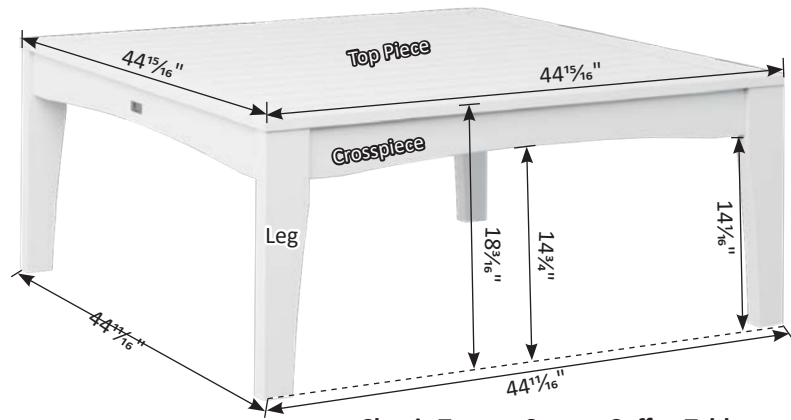
Classic Terrace Rectangle Coffee Table



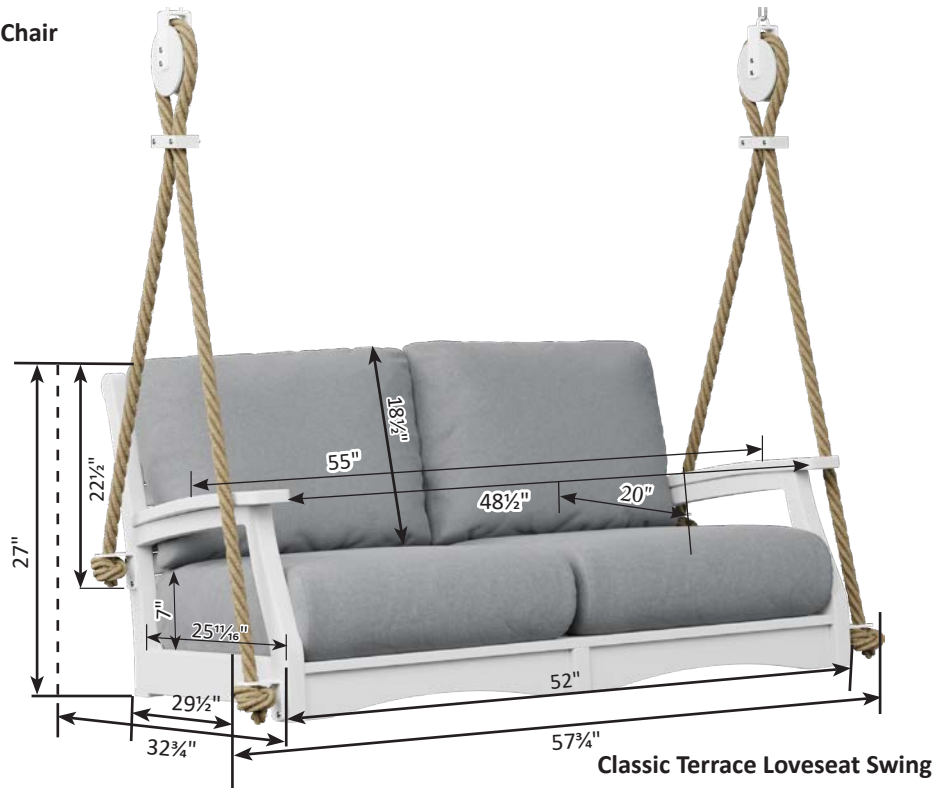
Classic Terrace End Table



Classic Terrace Dining Chair

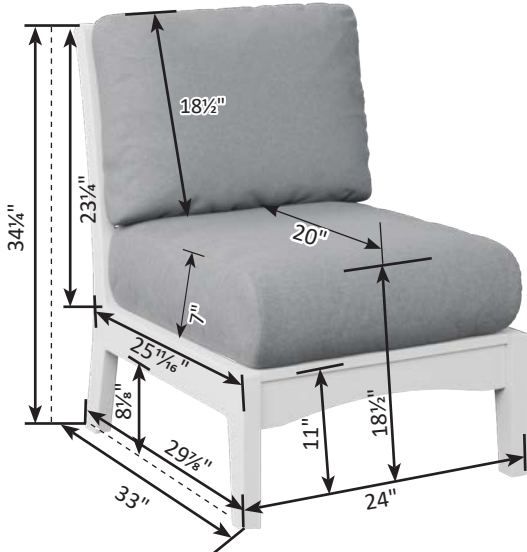


Classic Terrace Square Coffee Table

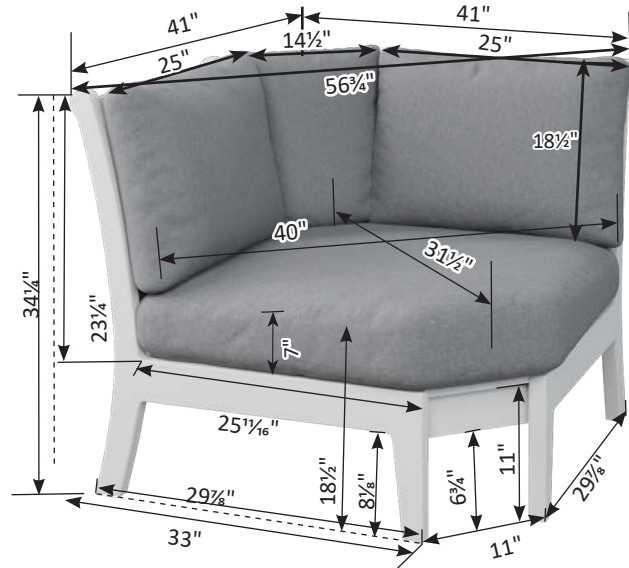


Classic Terrace Loveseat Swing

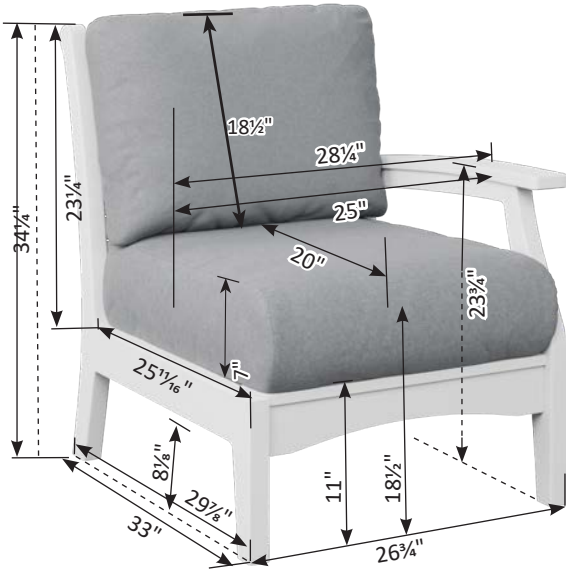
Classic Terrace Collection Dimensions



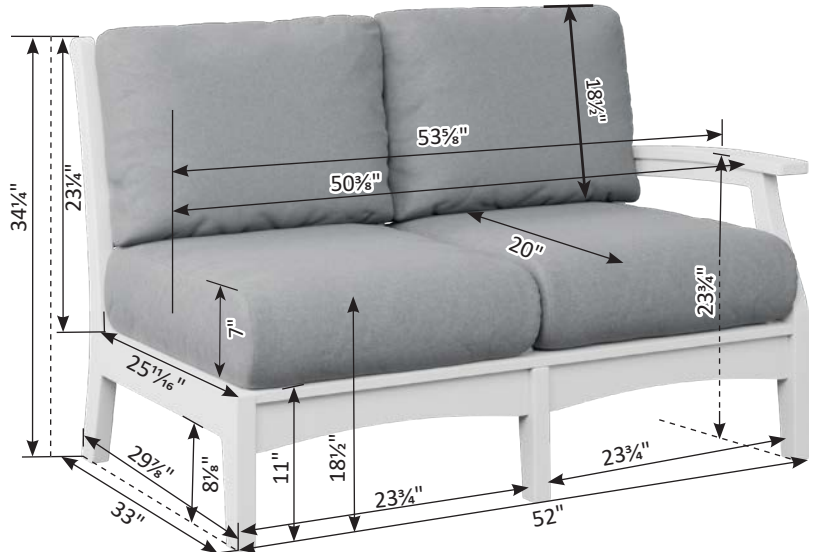
Classic Terrace Center Armless Chair



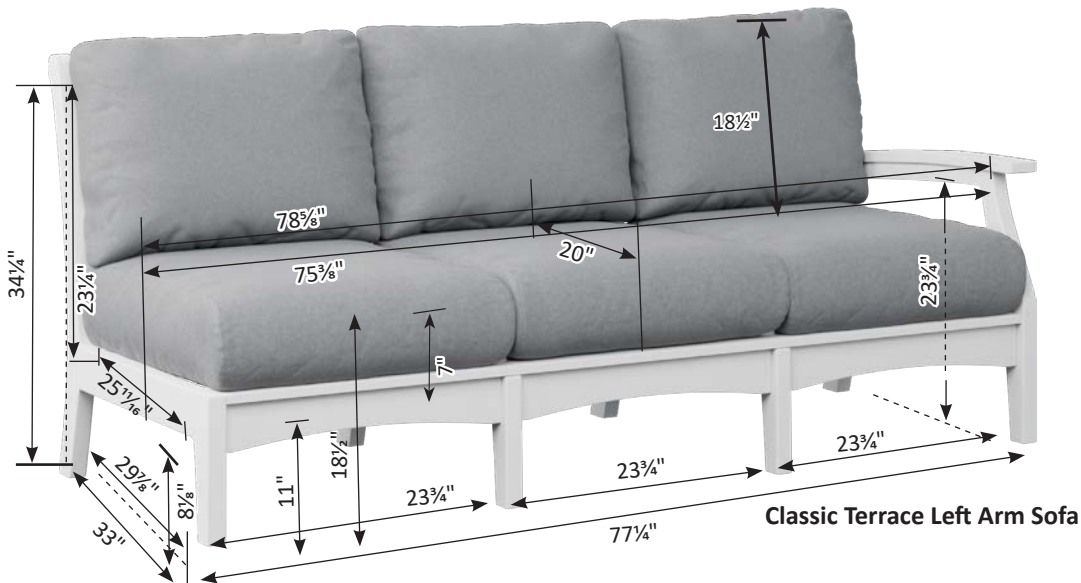
Classic Terrace Corner Section



Classic Terrace Left Arm Club Chair

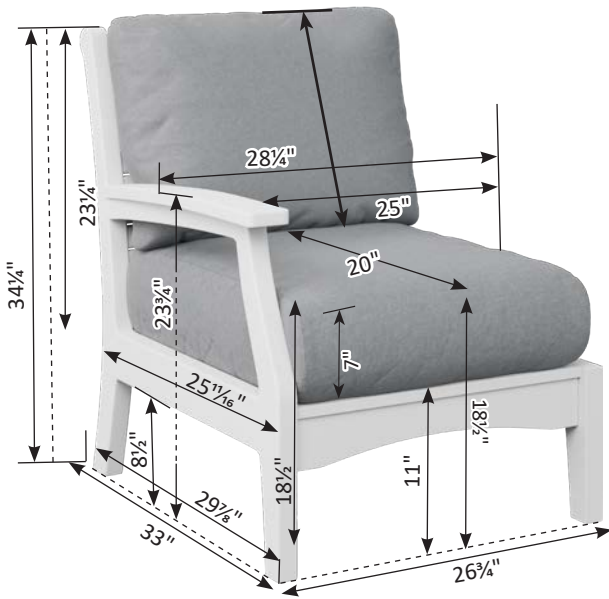


Classic Terrace Left Arm Loveseat

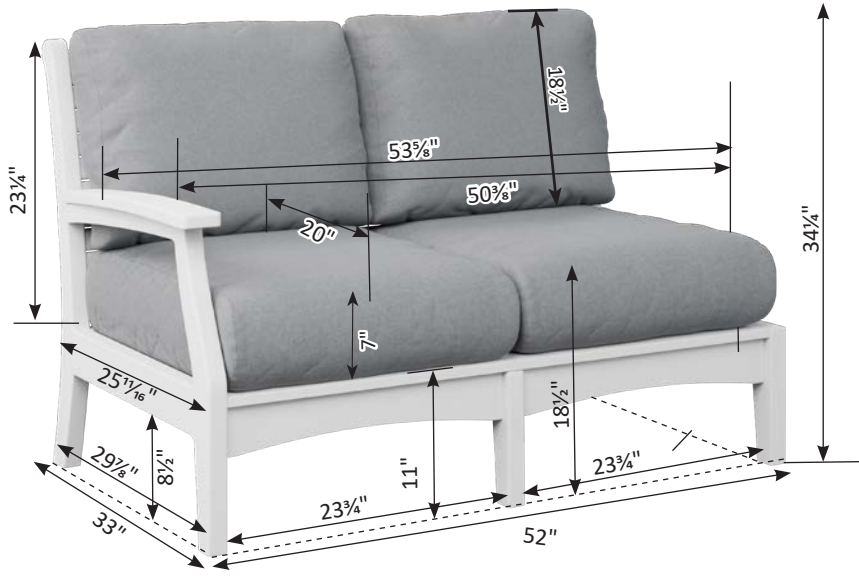


Classic Terrace Left Arm Sofa

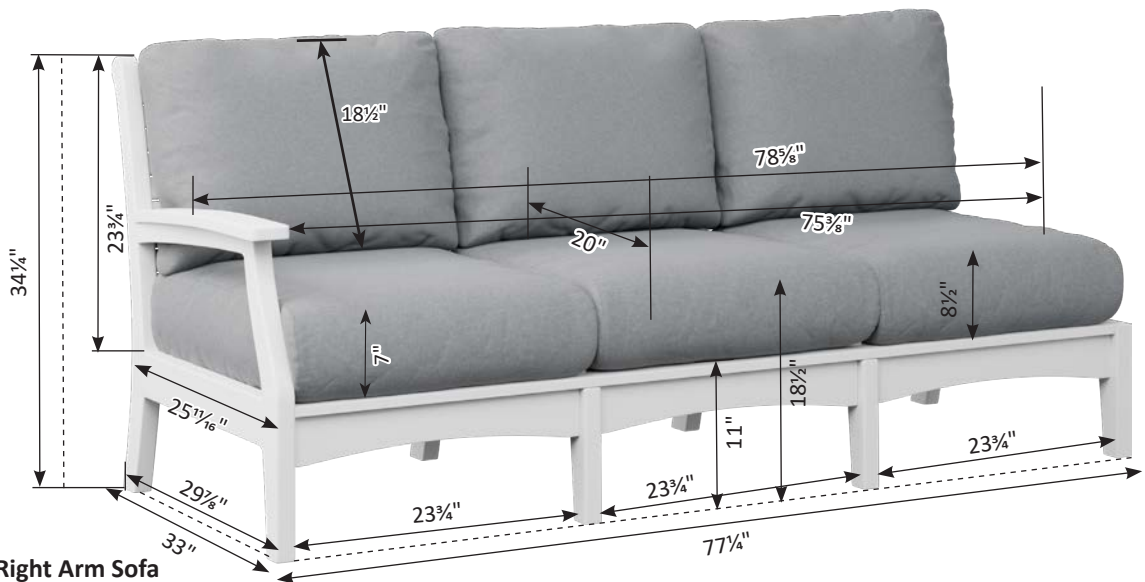
Classic Terrace Collection Dimensions



Classic Terrace Right Arm Club Chair



Classic Terrace Right Arm Loveseat

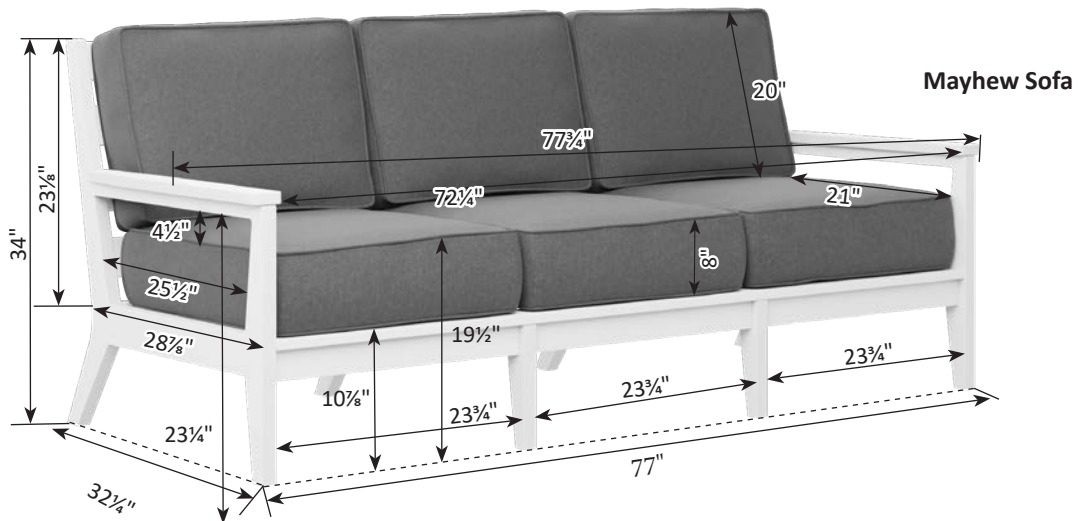
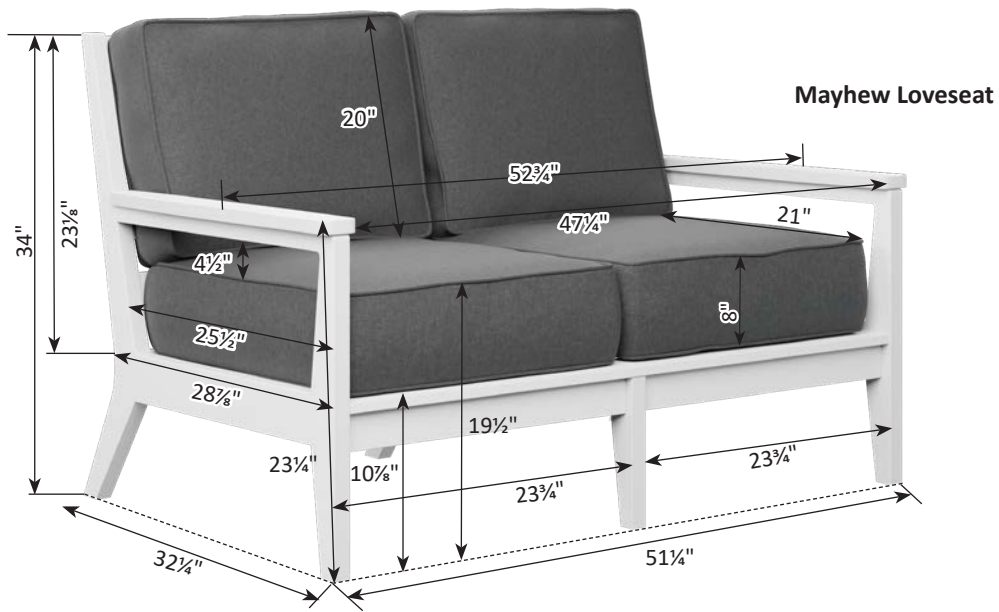
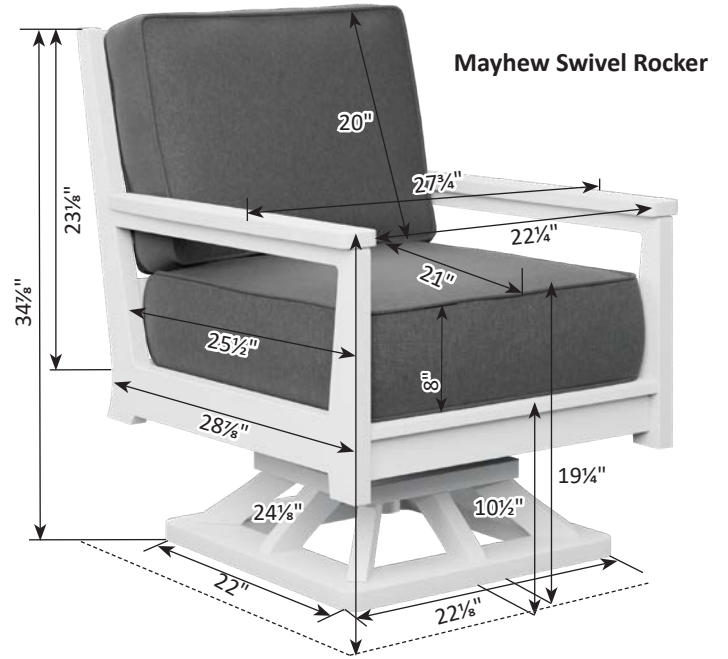
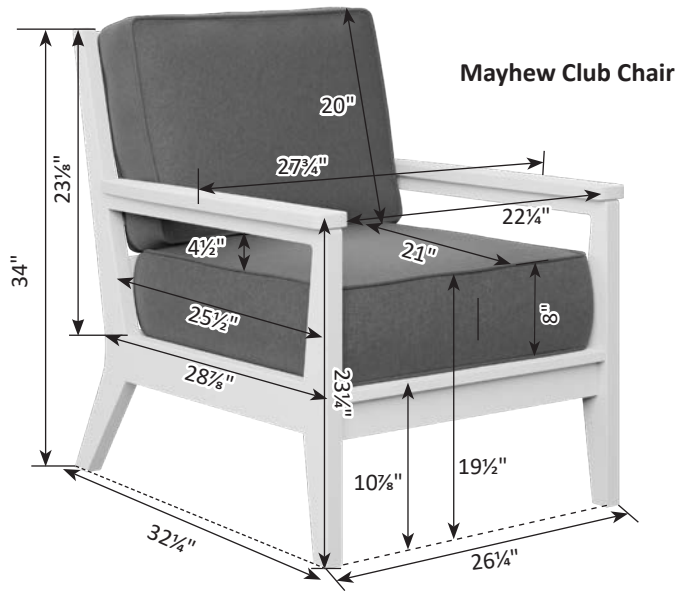


Classic Terrace Right Arm Sofa



Classic Terrace Ottoman

Mayhew Collection Dimensions



Mayhew Collection Dimensions

FM-15



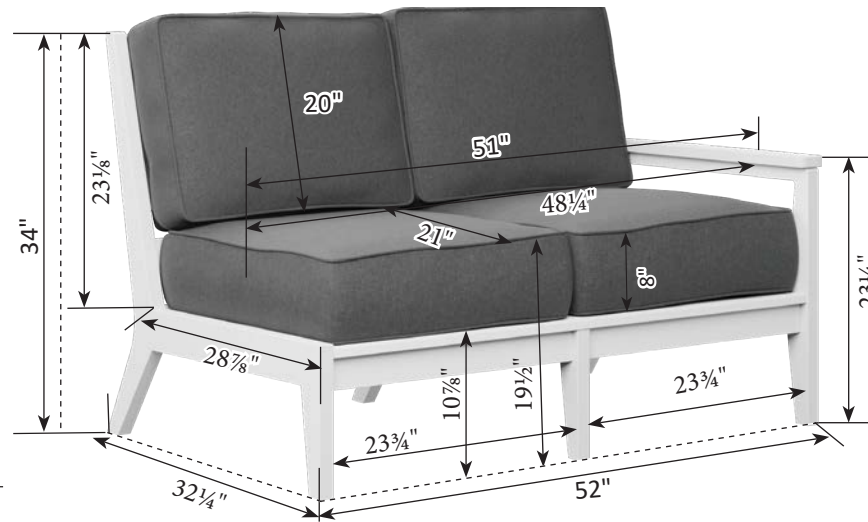
Mayhew Corner Section



Mayhew Center Armless Chair



Mayhew Left Arm Club Chair

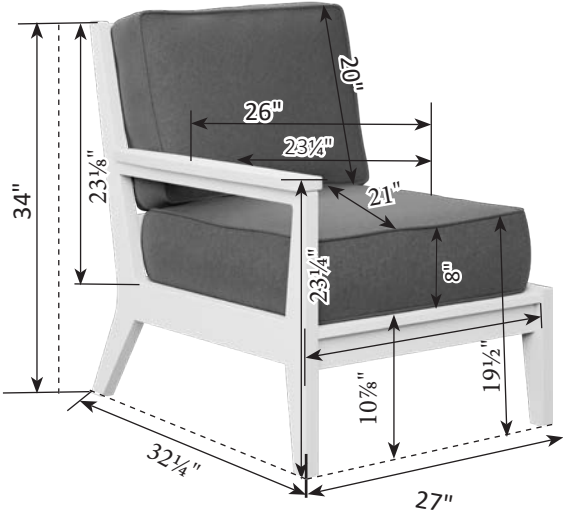


Mayhew Left Arm Loveseat

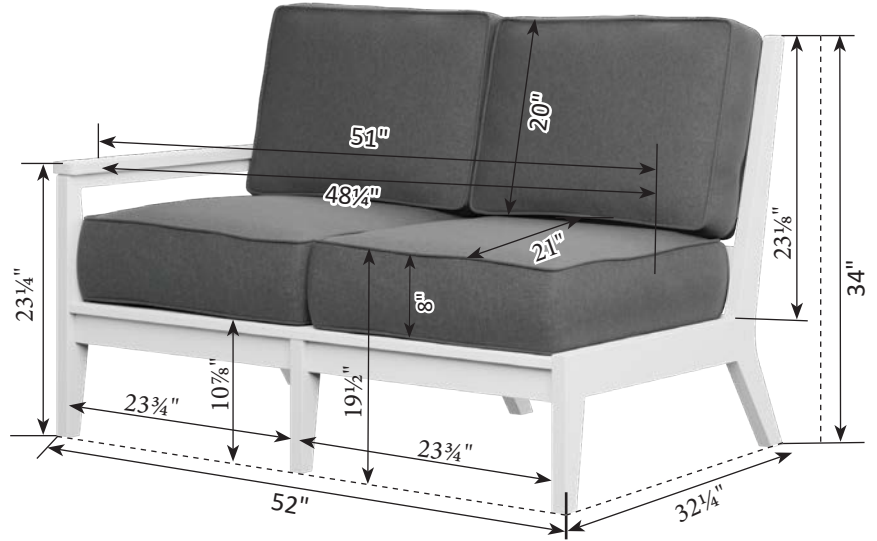


Mayhew Left Arm Sofa

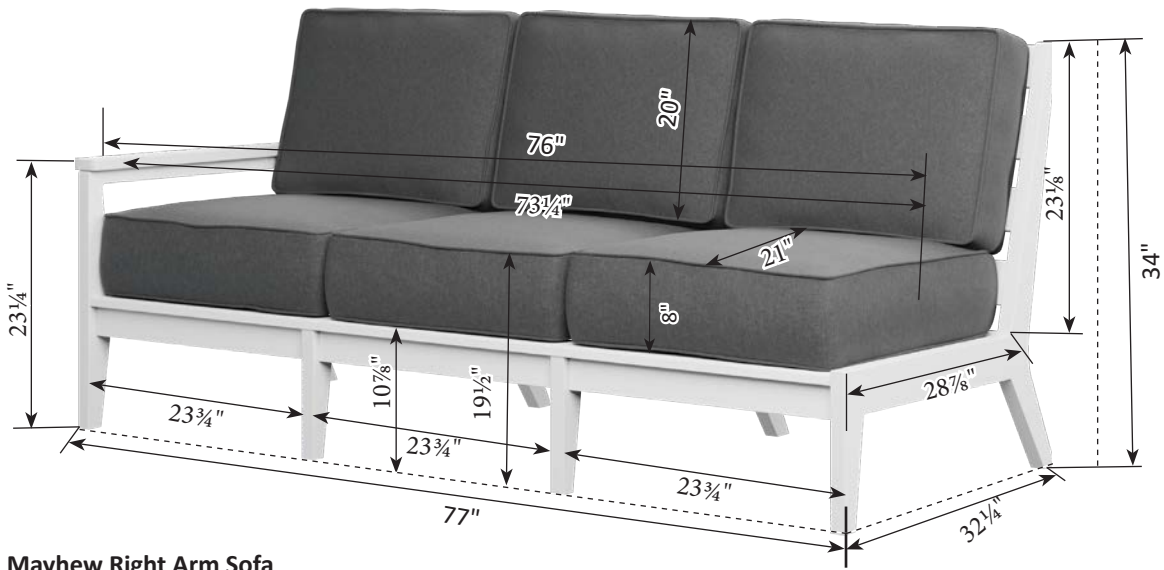
Mayhew Collection Dimensions



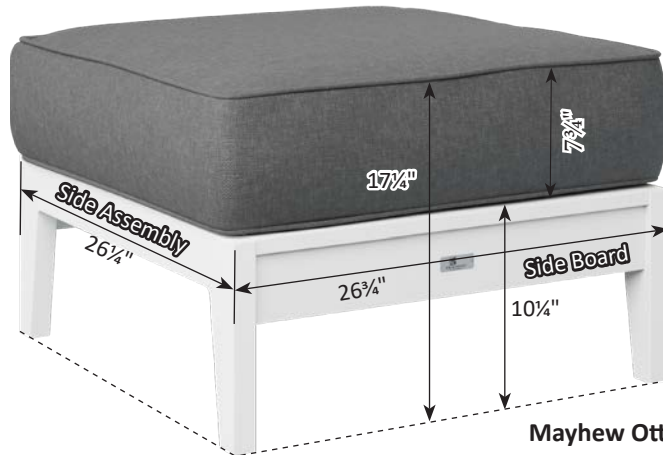
Mayhew Right Arm Club Chair



Mayhew Right Arm Loveseat



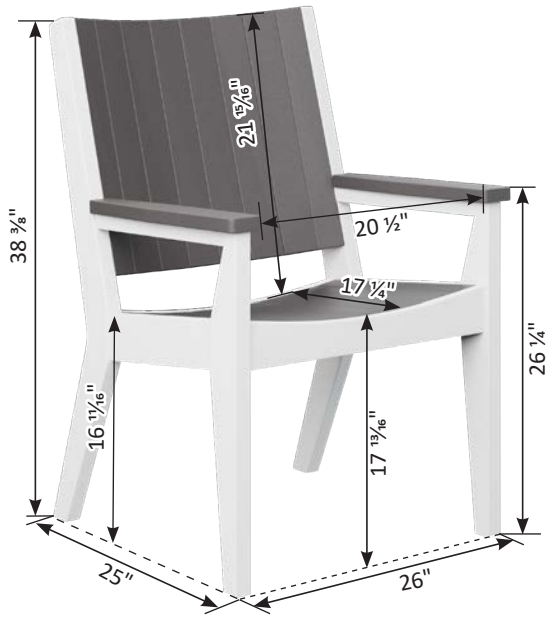
Mayhew Right Arm Sofa



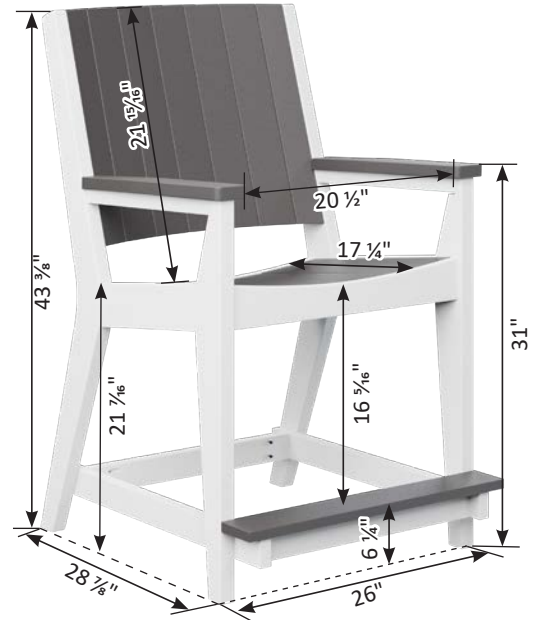
Mayhew Ottoman

Mayhew Collection Dimensions

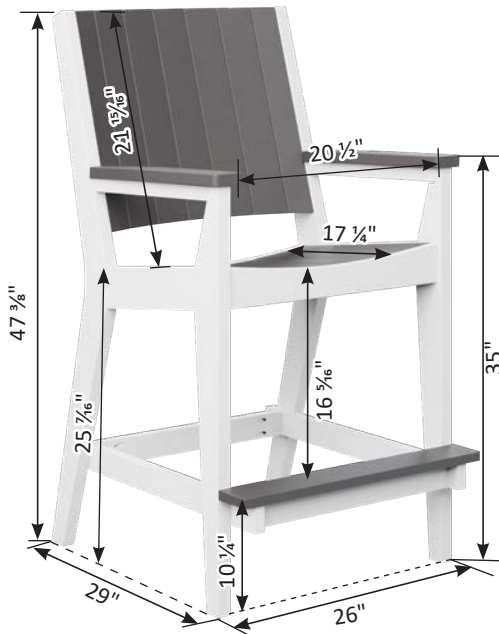
FM-17



Mayhew Dining Chat Chair



Mayhew Chat Counter Chair

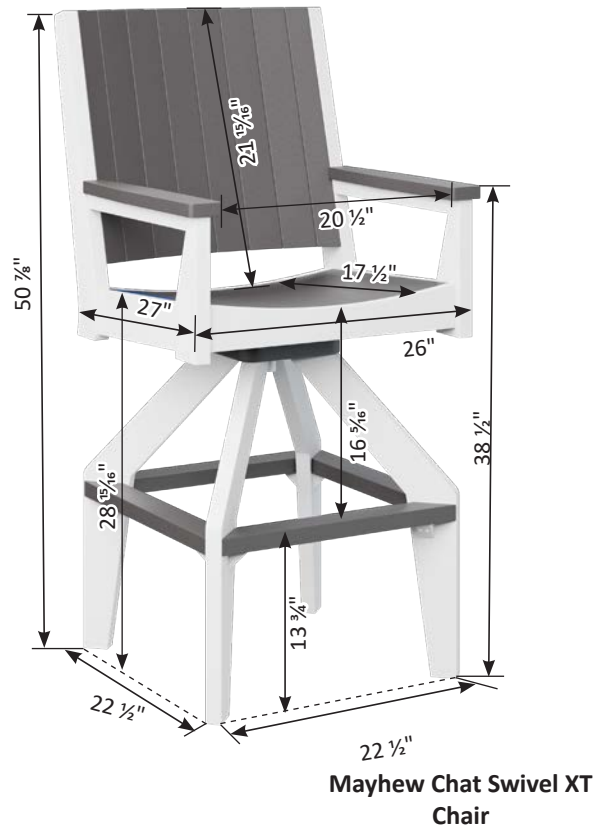
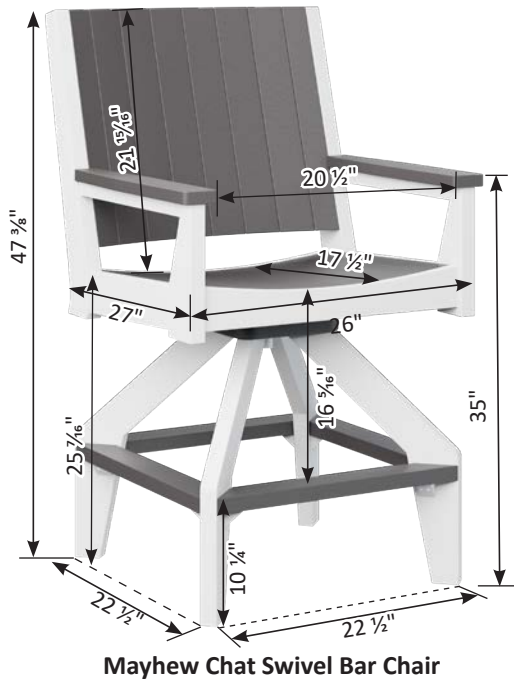
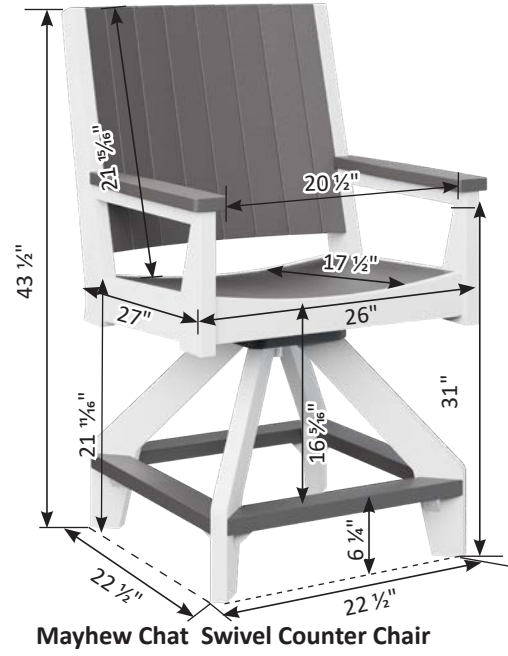


Mayhew Chat Bar Chair

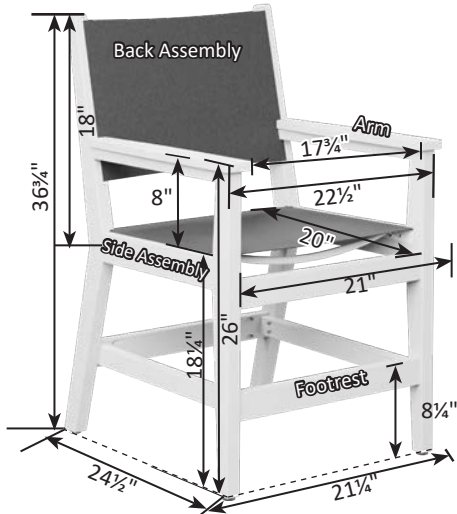


Mayhew Chat XT Chair

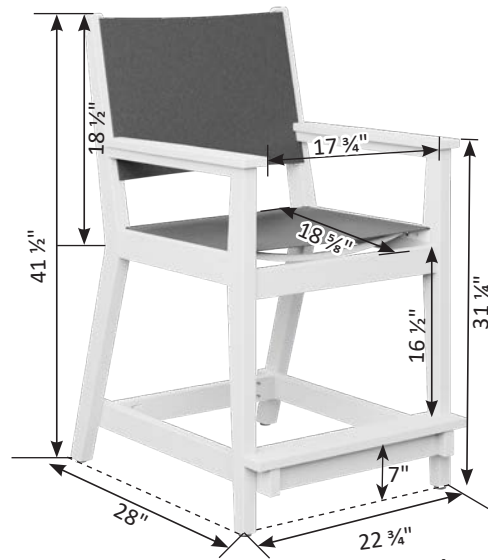
Mayhew Collection Dimensions



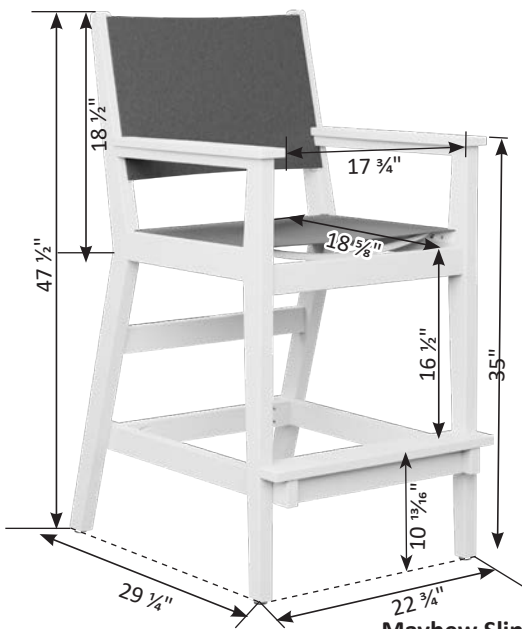
Mayhew Collection Dimensions



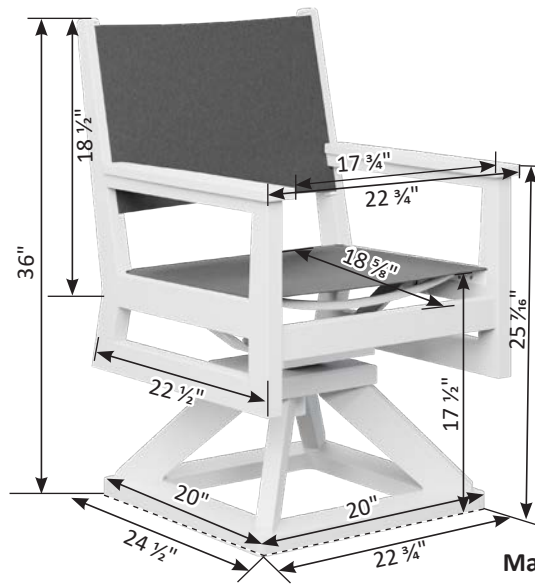
Mayhew Sling Dining Chair



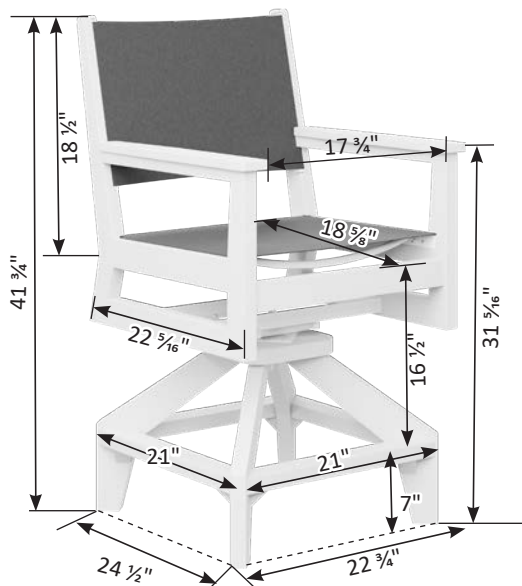
Mayhew Sling Counter Chair



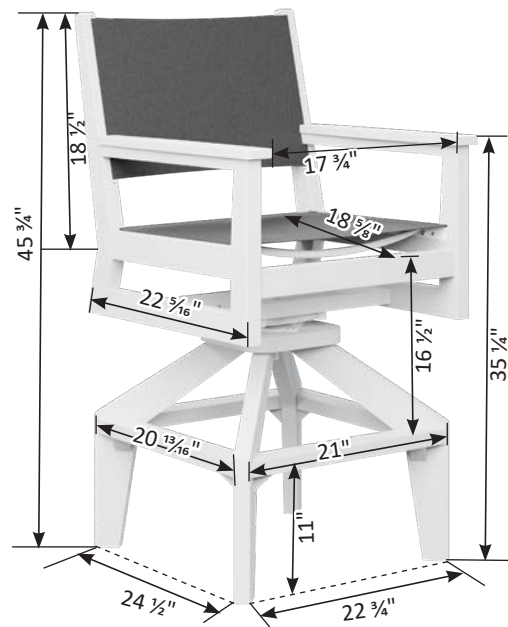
Mayhew Sling Bar Chair



Mayhew Sling Swivel Rocker Dining Chair

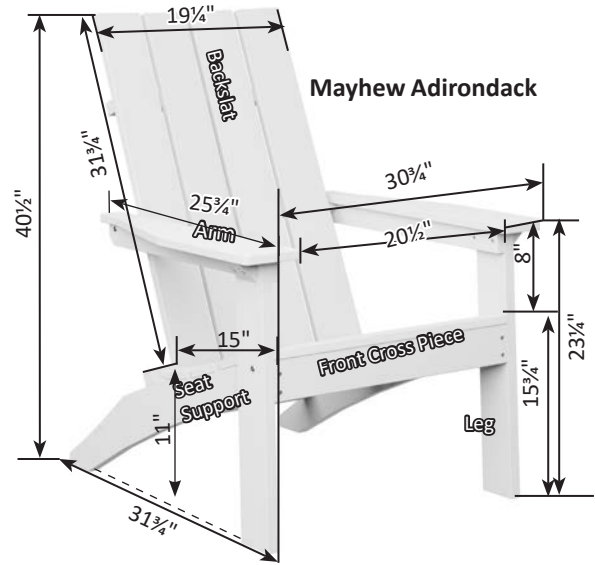
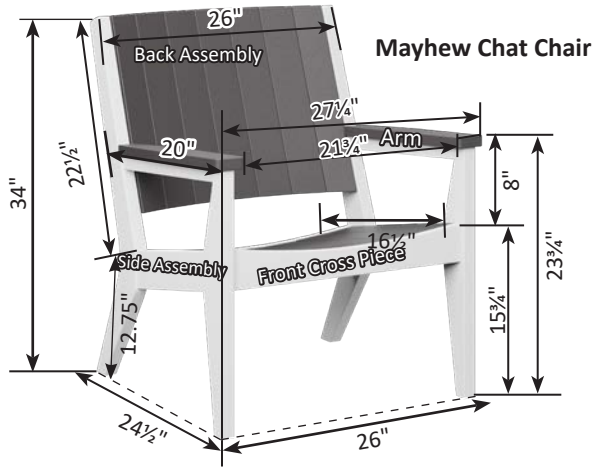


Mayhew Sling Swivel Counter Chair

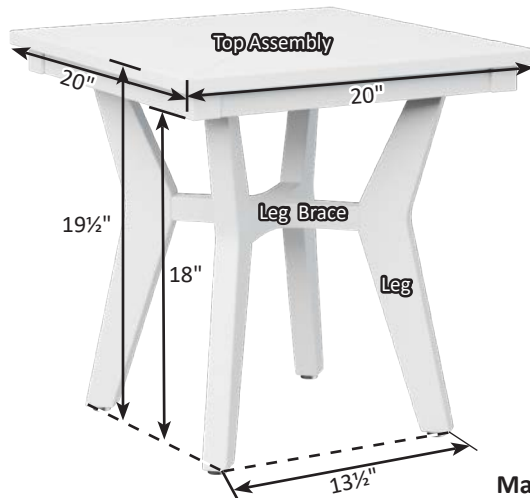
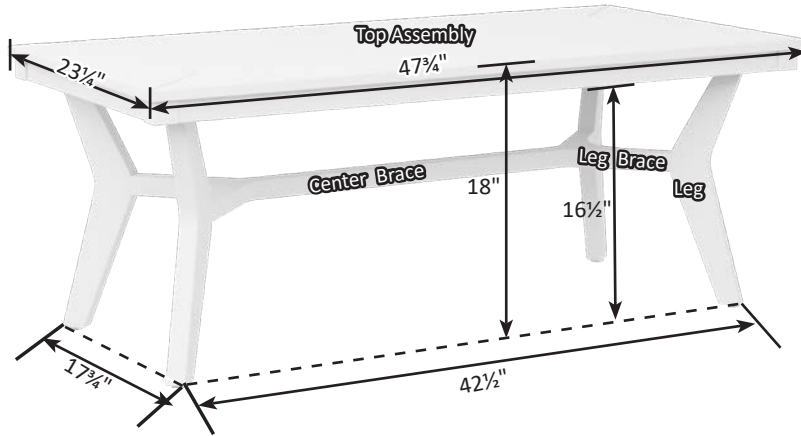


Mayhew Sling Swivel Bar Chair

Mayhew Collection Dimensions



Mayhew Rectangular Coffee Table

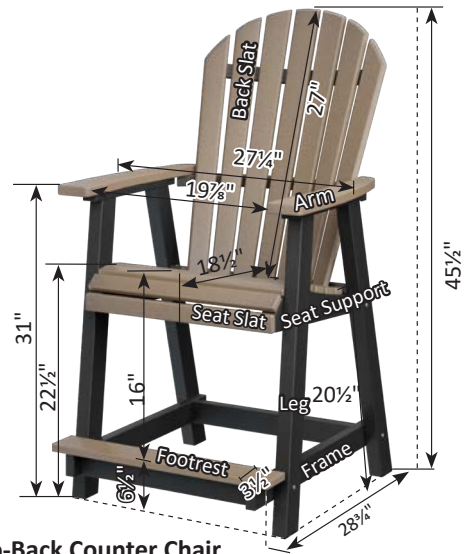


Mayhew Square End Table

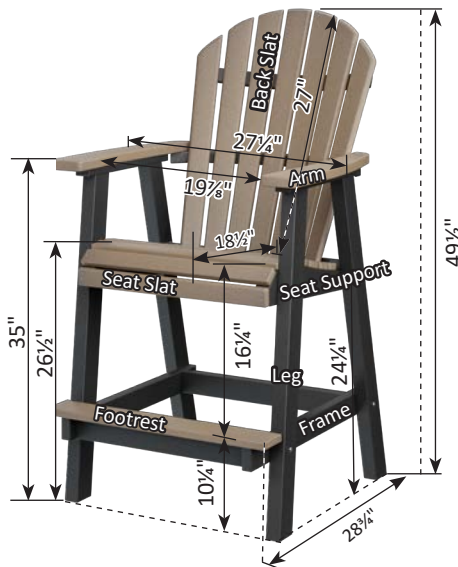
Comfo-Back Collection Dimensions



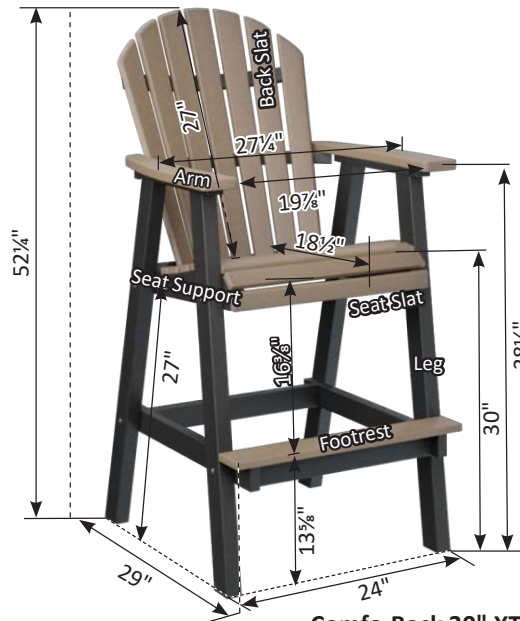
Comfo-Back Dining Chair



Comfo-Back Counter Chair



Comfo-Back Bar Chair



Comfo-Back 30" XT Chair

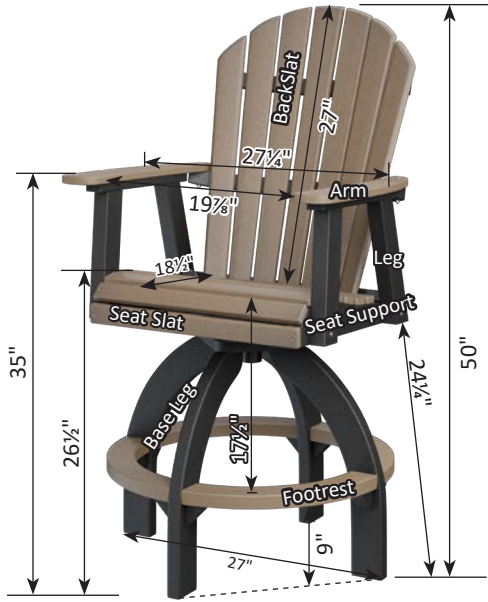


Comfo-Back Swivel Rocker Dining Chair

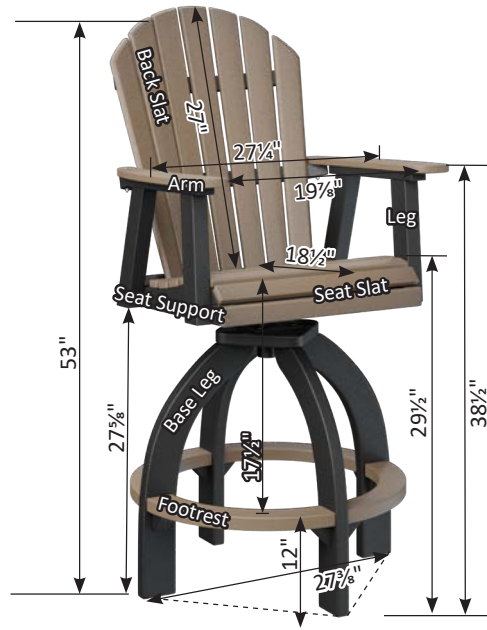


Comfo-Back Swivel Counter Chair

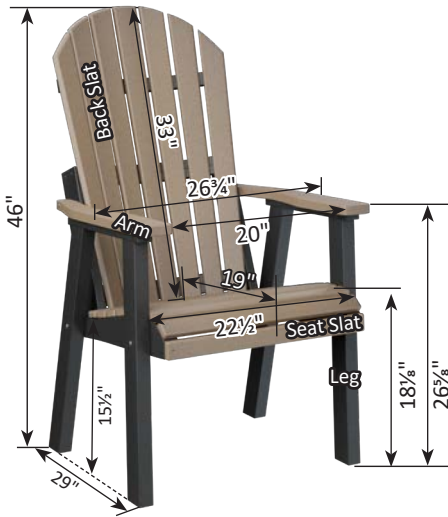
Comfo-Back Collection Dimensions



Comfo-Back Swivel Bar Chair



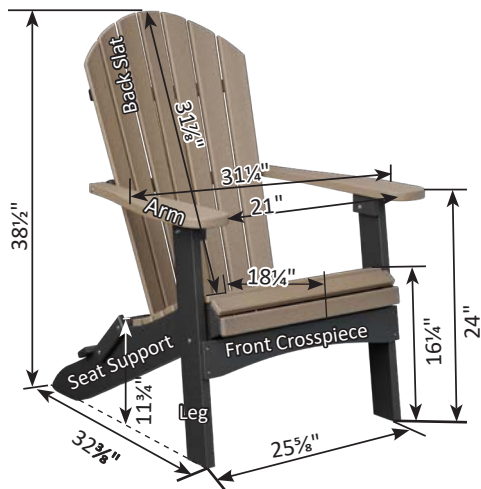
Comfo-Back 30" XT Swivel Chair



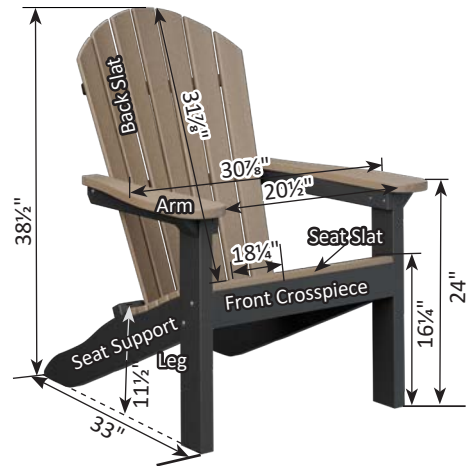
Comfo-Back Deck Chair



Comfo-Back Rocker



Comfo-Back Folding Adirondack



Comfo-Back Adirondack Chair

Comfo-Back Collection Dimensions



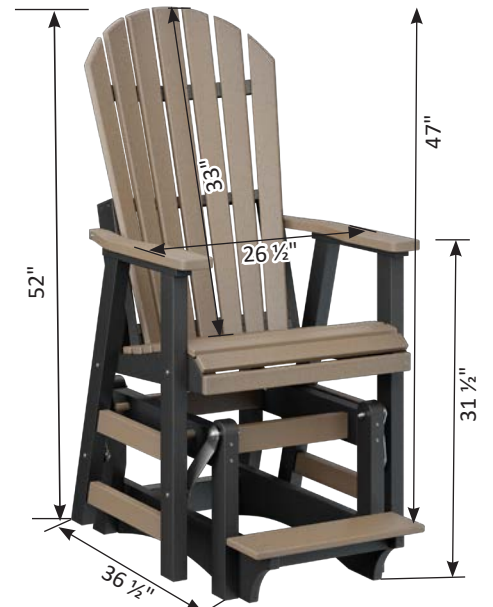
Comfo-Back Single Glider



Comfo-Back Swivel Glider



Comfo-Back Double Glider



Comfo Single Counter Glider

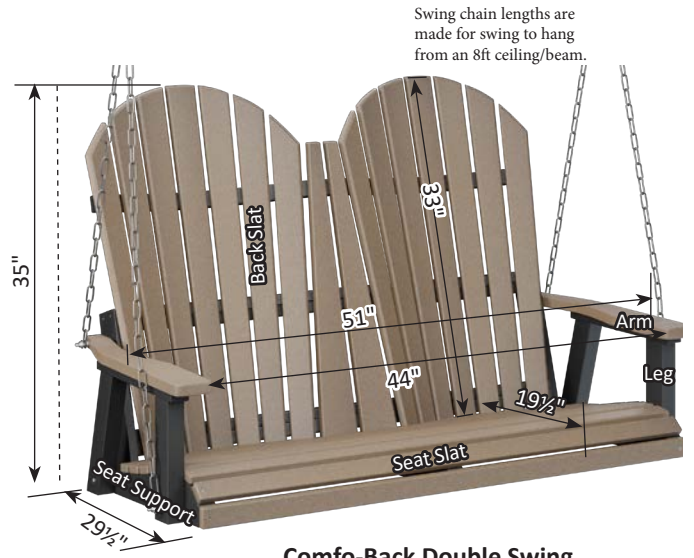


Comfo-Back Three Seat Glider

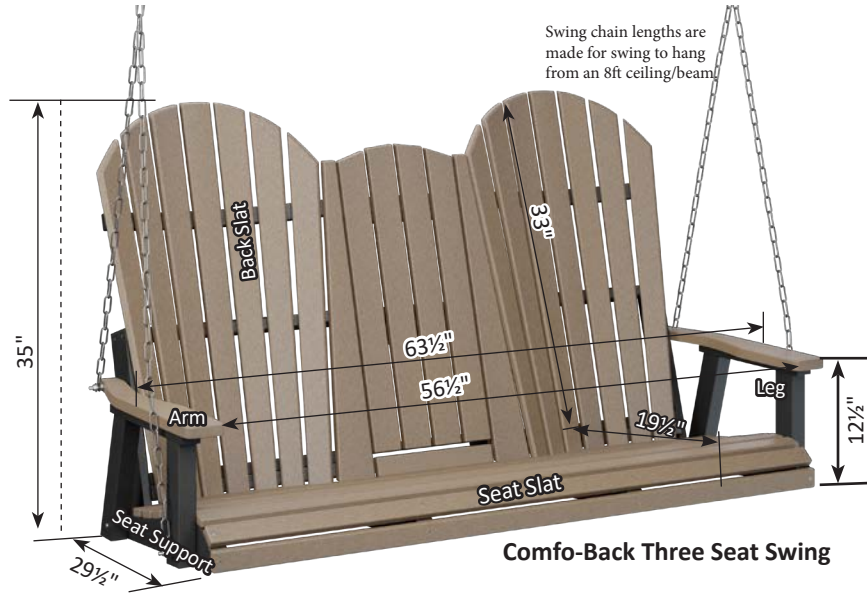
Comfo-Back Collection Dimensions



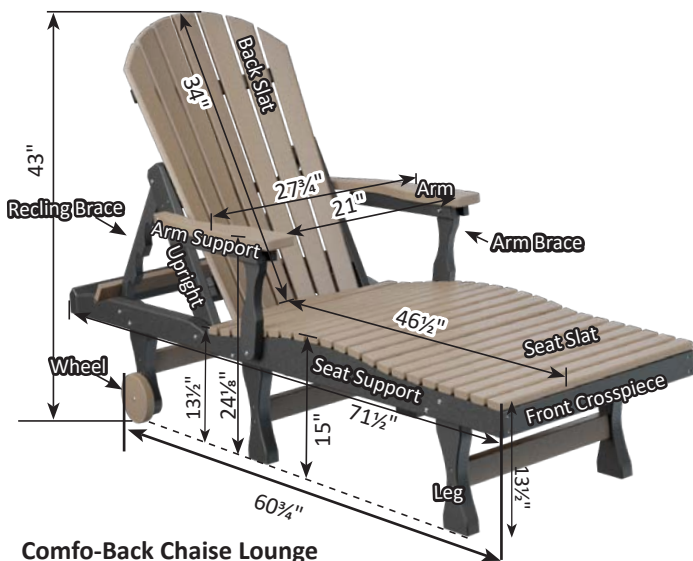
Comfo Double Counter Glider



Comfo-Back Double Swing



Comfo-Back Three Seat Swing



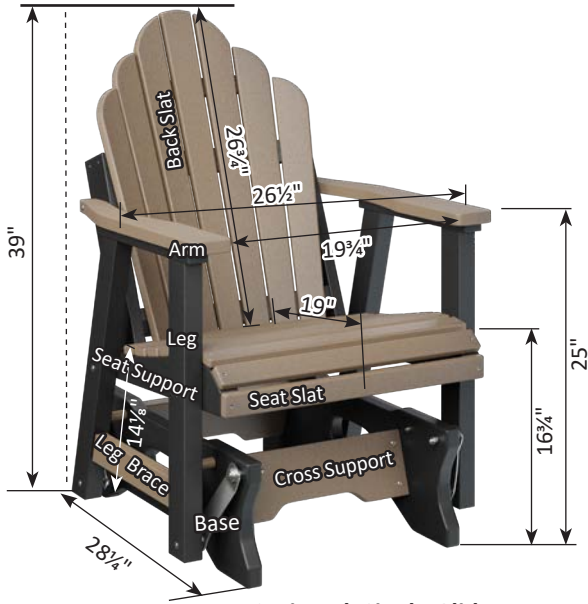
Comfo-Back Chaise Lounge



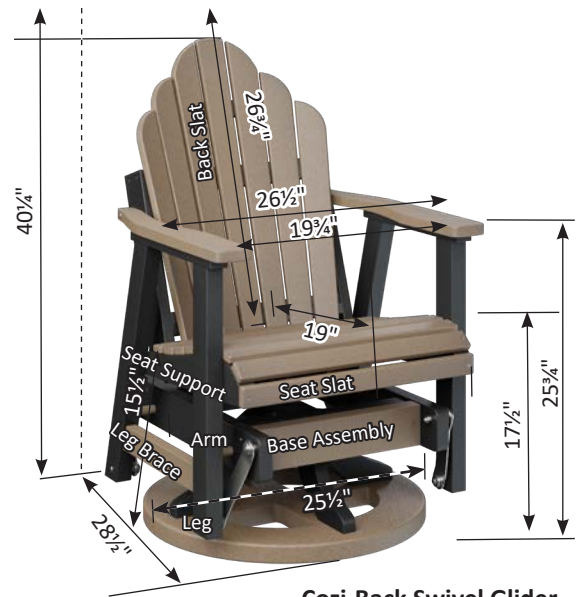
Comfo-Back Love Seat

Cozi-Back Collection Dimensions

FM-25



Cozi-Back Single Glider



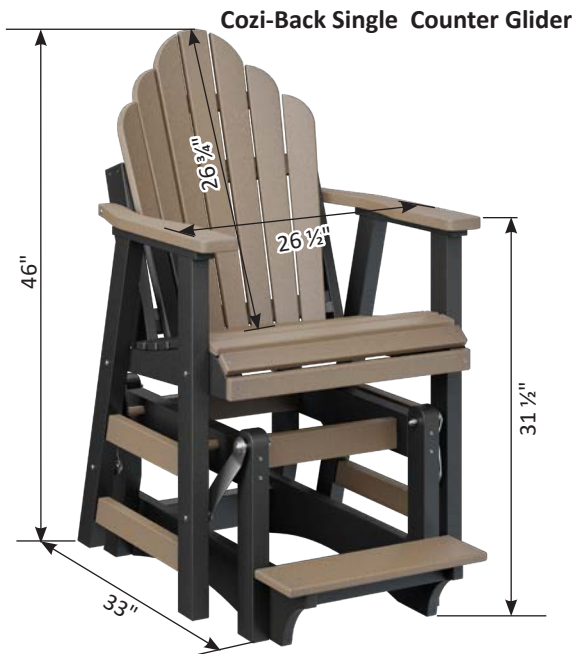
Cozi-Back Swivel Glider



Cozi-Back Double Counter Glider



Cozi-Back Double Glider



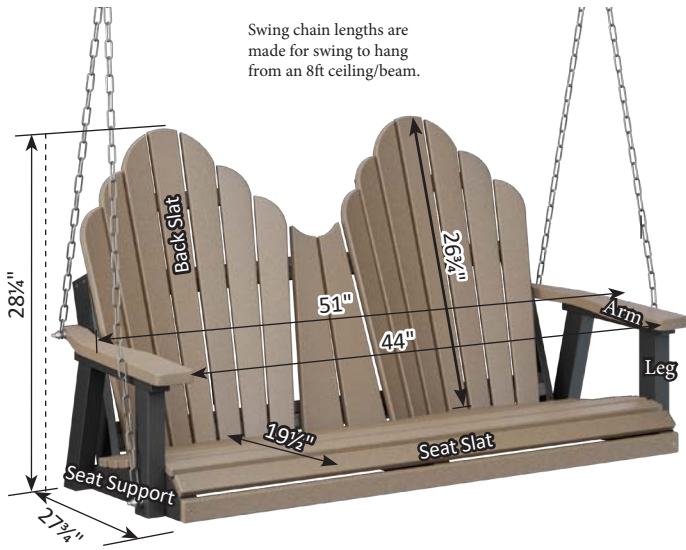
Cozi-Back Single Counter Glider



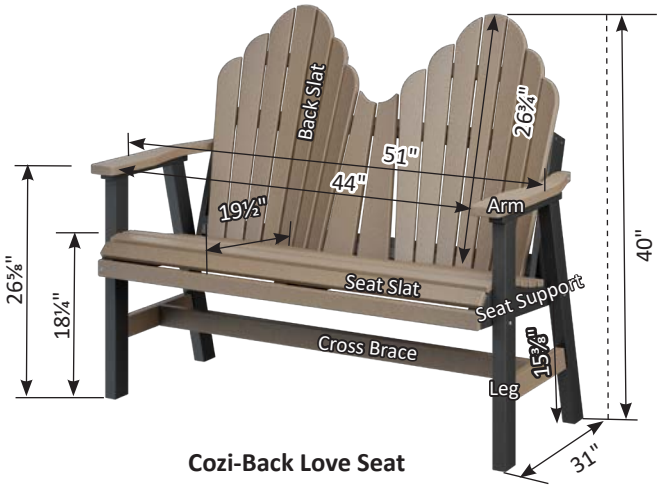
Cozi-Back Three Seat Glider

Cozi-Back Collection Dimensions

Swing chain lengths are made for swing to hang from an 8ft ceiling/beam.

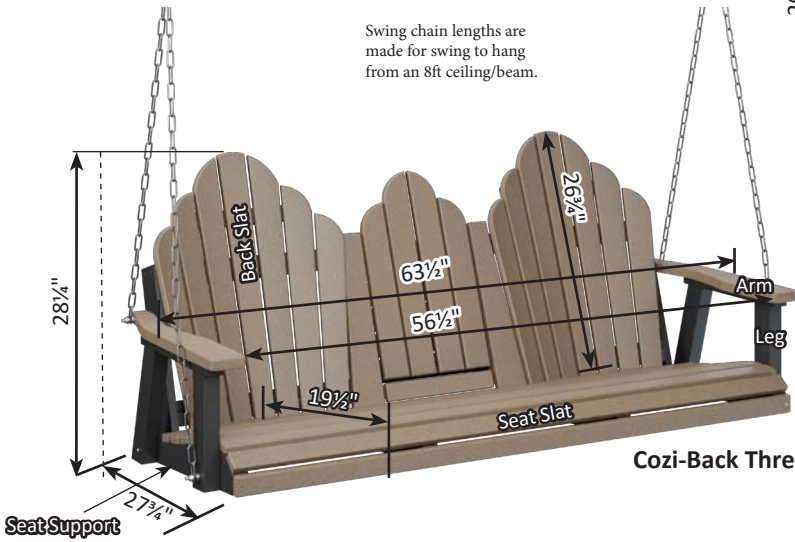


Cozi-Back Double Swing

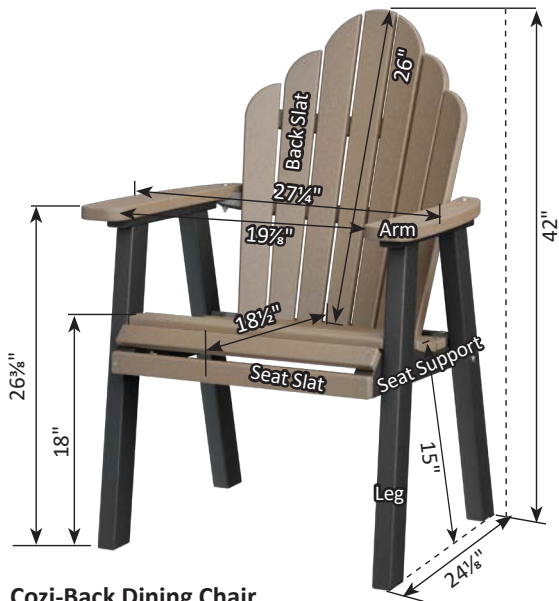


Cozi-Back Love Seat

Swing chain lengths are made for swing to hang from an 8ft ceiling/beam.



Cozi-Back Three Seat Swing

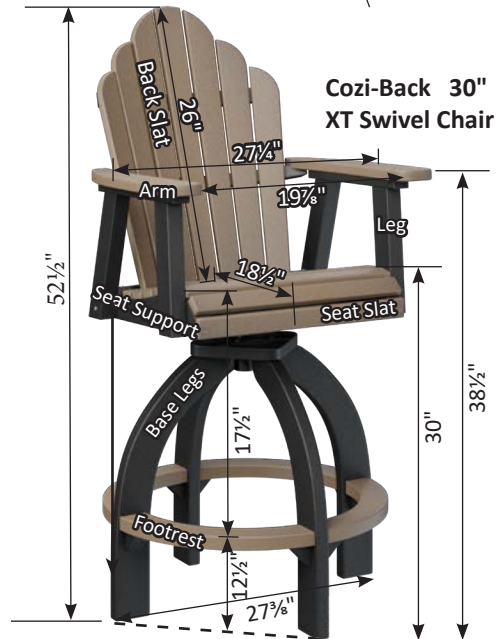
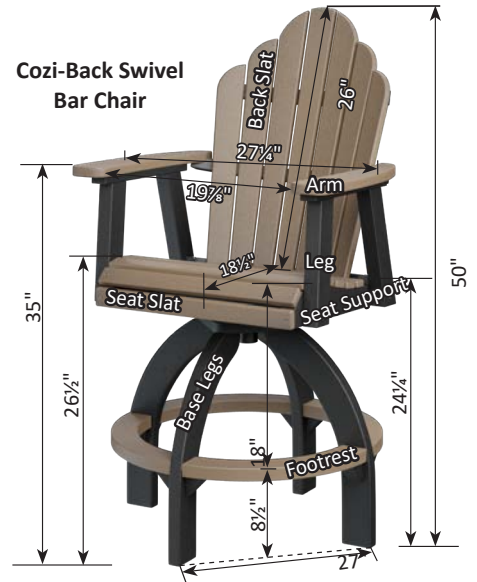
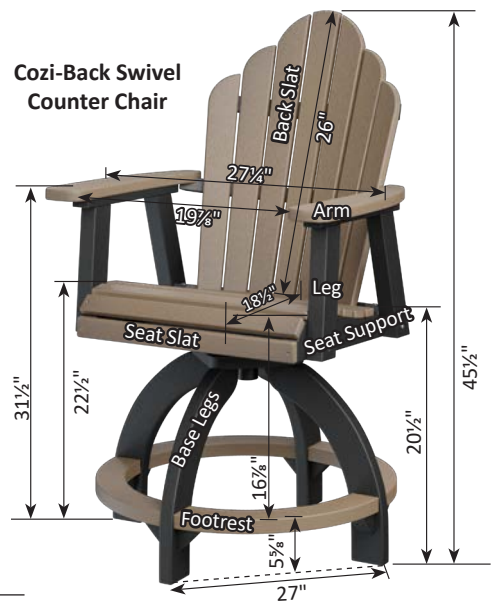
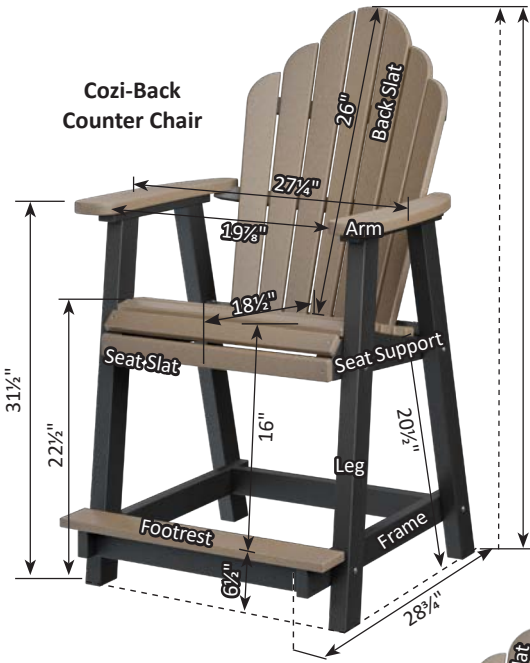


Cozi-Back Dining Chair

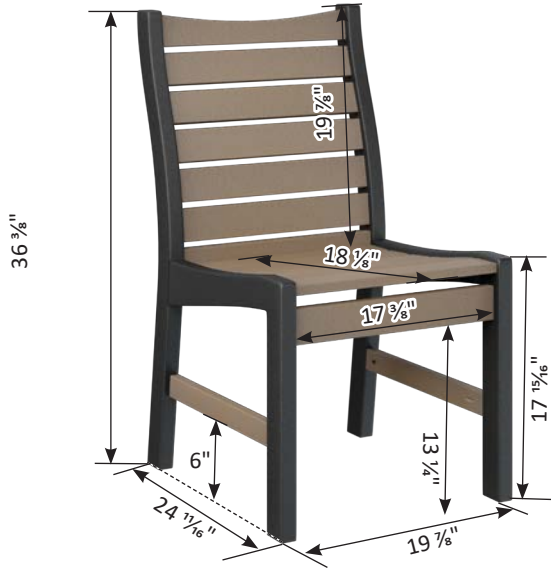


Cozi-Back Swivel Rocker Dining Chair

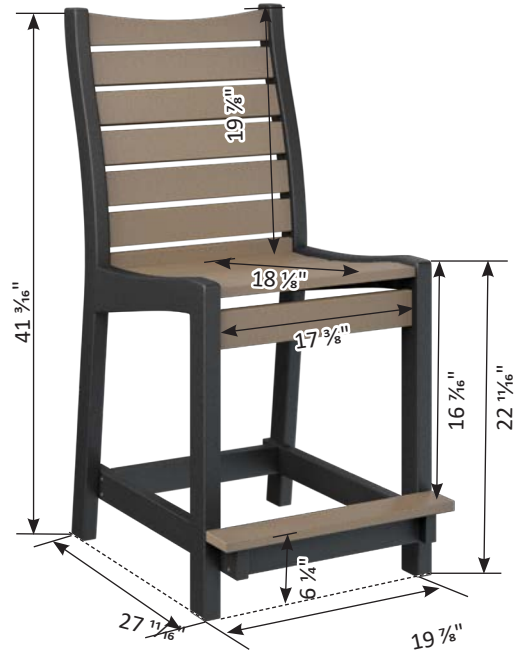
Cozi-Back Collection Dimensions



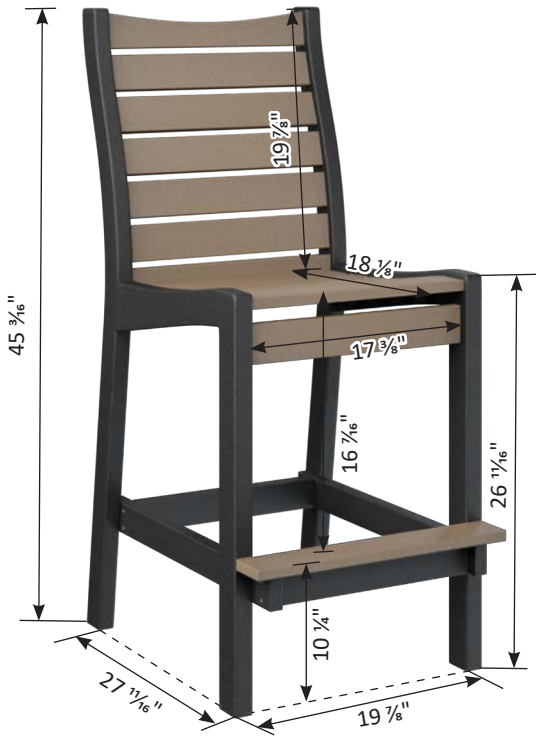
Bristol Collection Dimensions



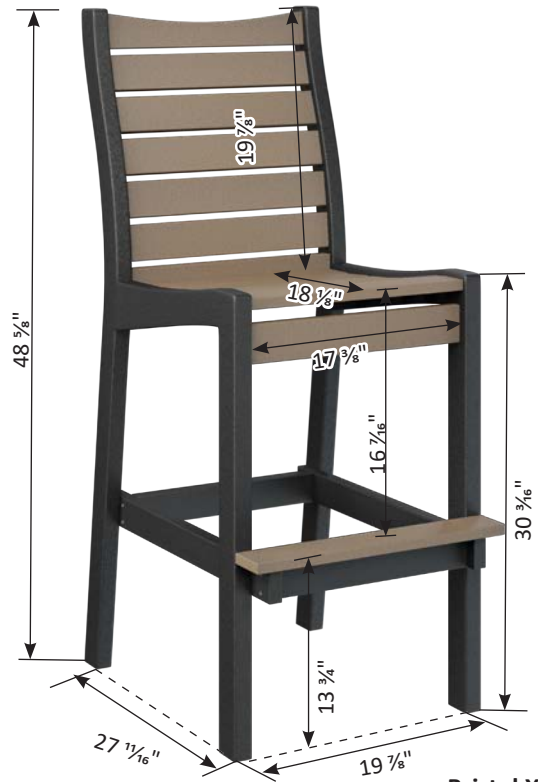
Bristol Dining Chair



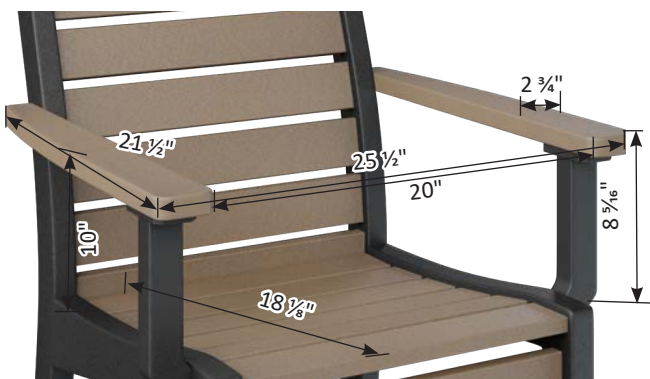
Bristol Counter Chair



Bristol Bar Chair



Bristol XT Chair



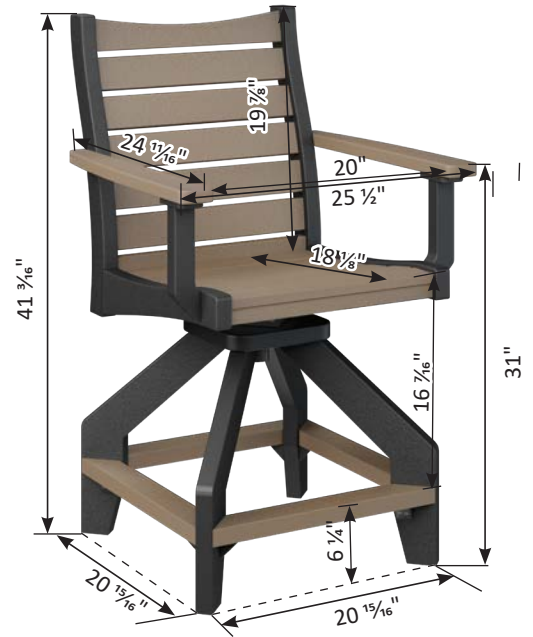
Bristol Arm Kit

Bristol Collection Dimensions

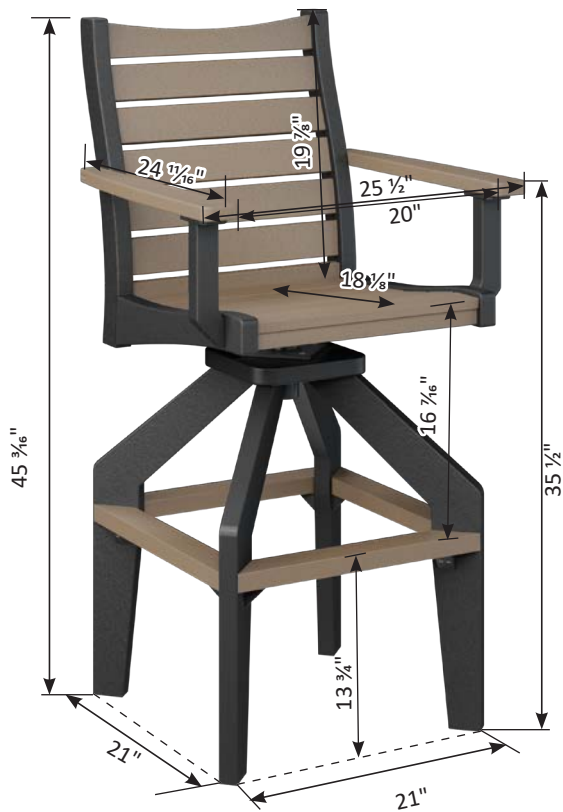
FM-29



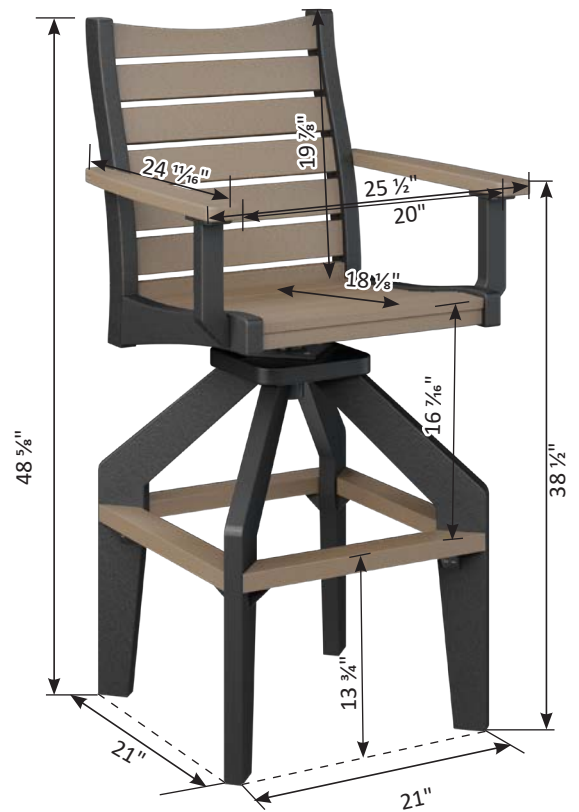
Bristol Swivel Rocker Dining Chair



Bristol Swivel Counter Chair

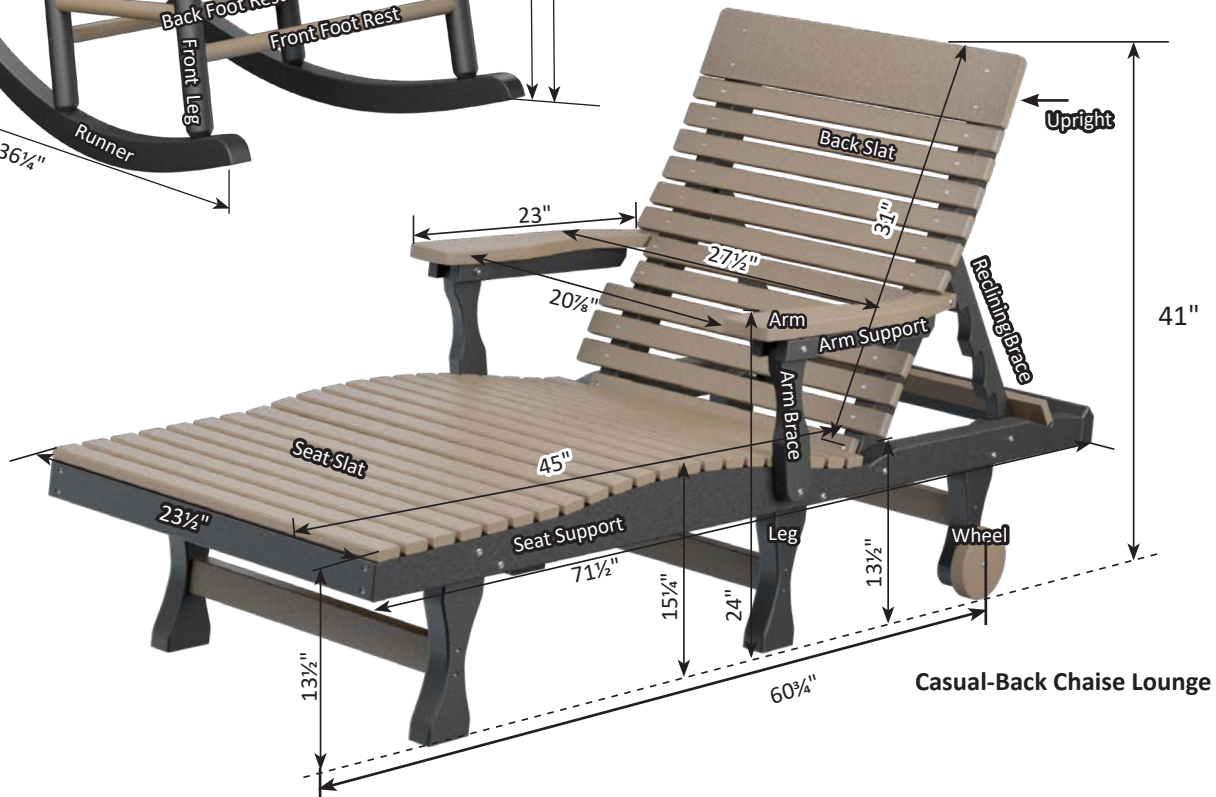
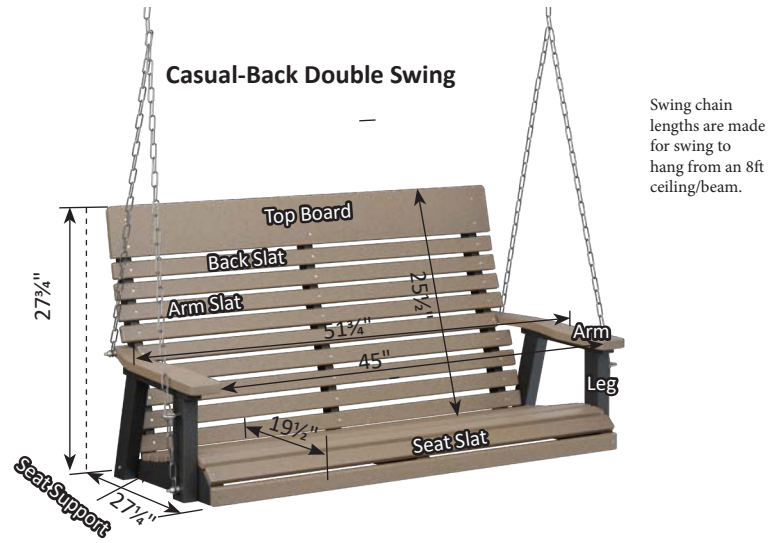
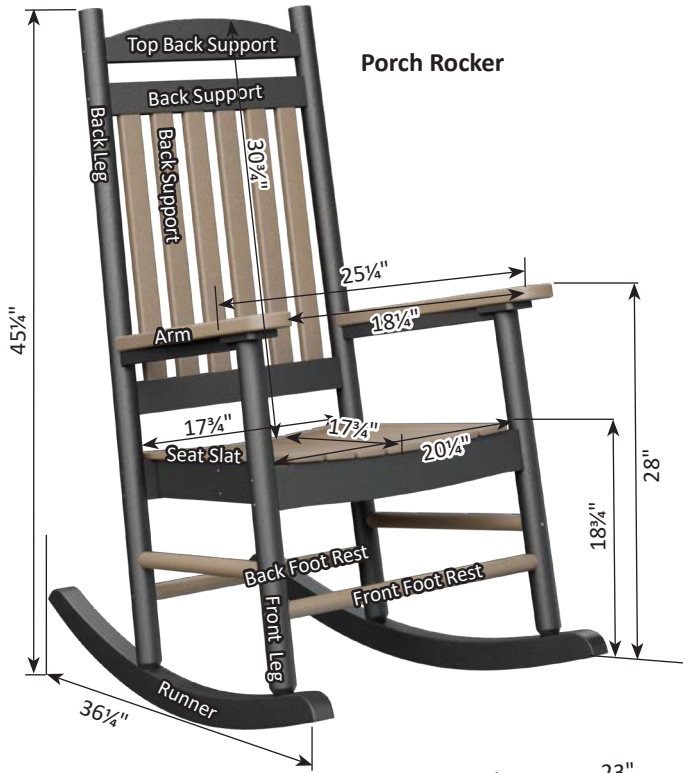
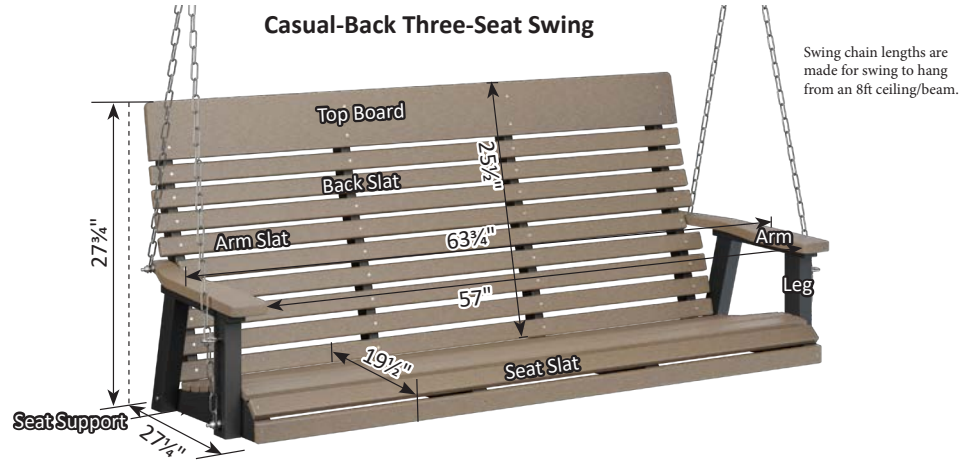


Bristol Swivel Bar Chair



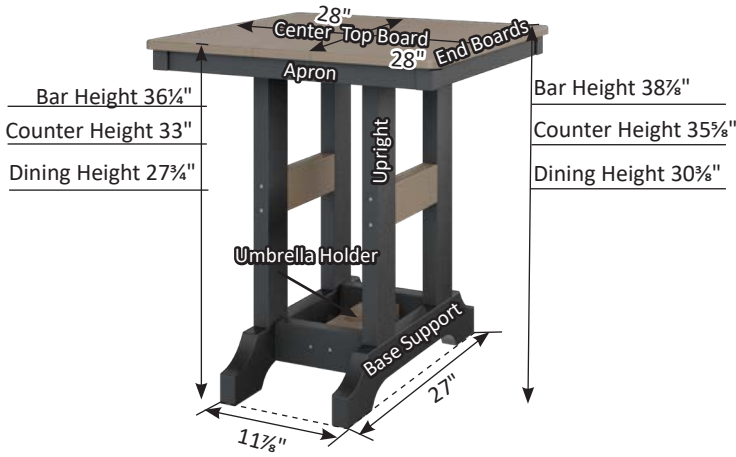
Bristol Swivel XT Chair

FM-30 Casual-Back Collection & Rocker Dimensions

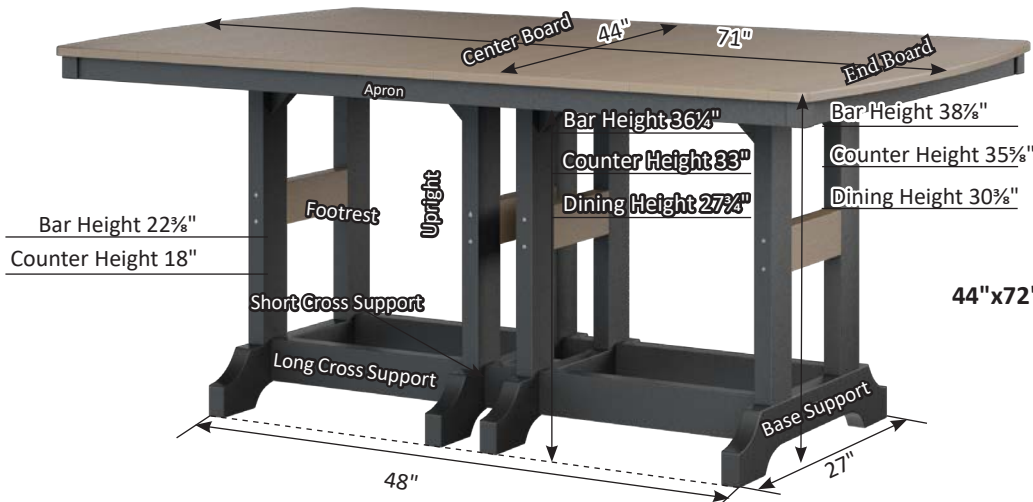
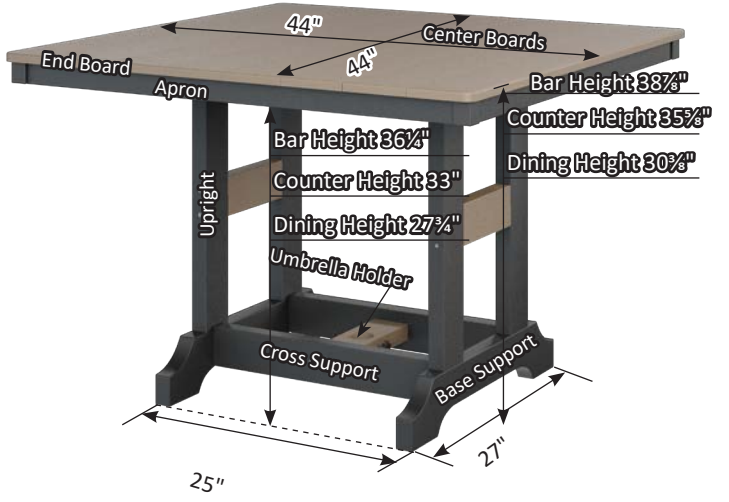


Garden Classic Table Dimensions

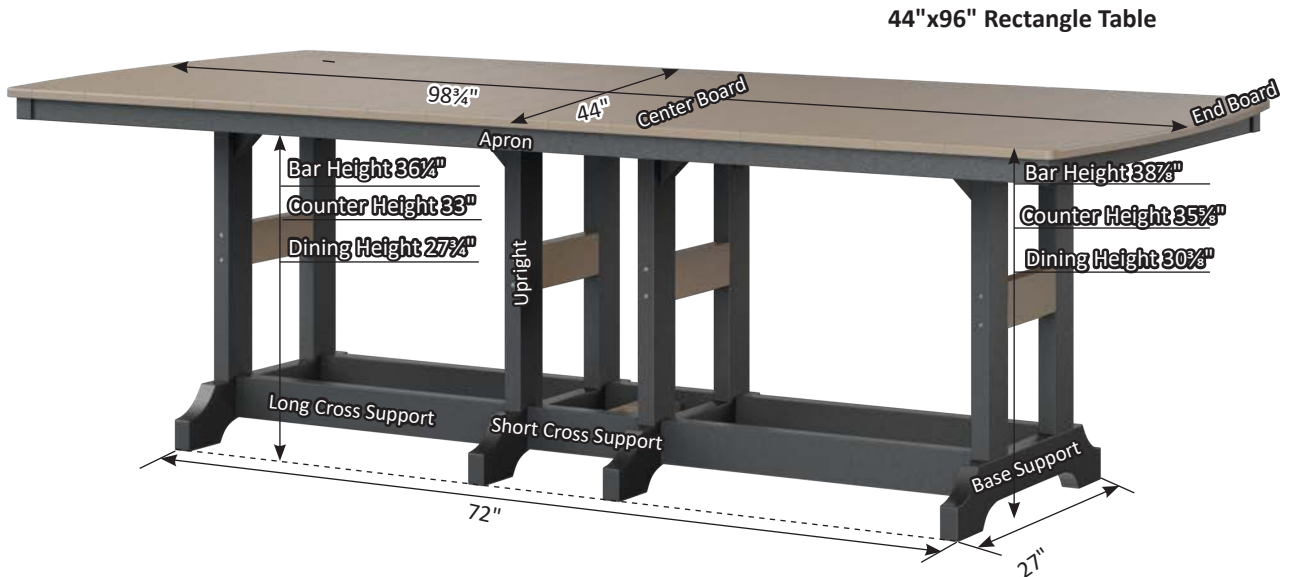
28" Square Table



44" Square Table



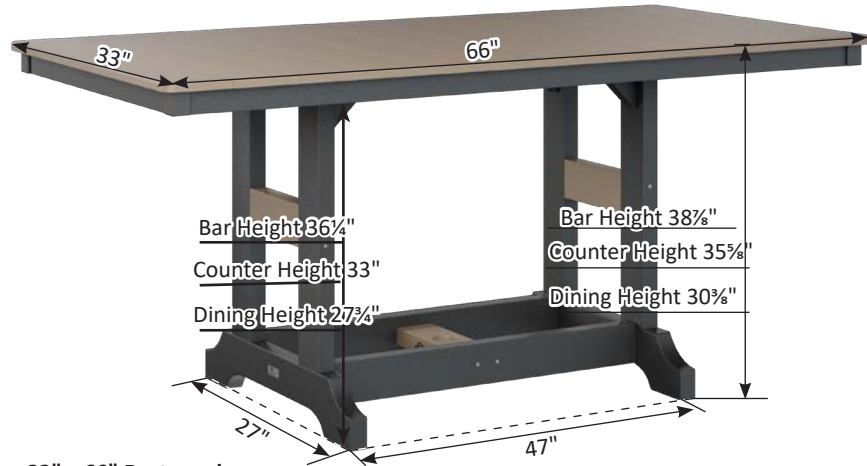
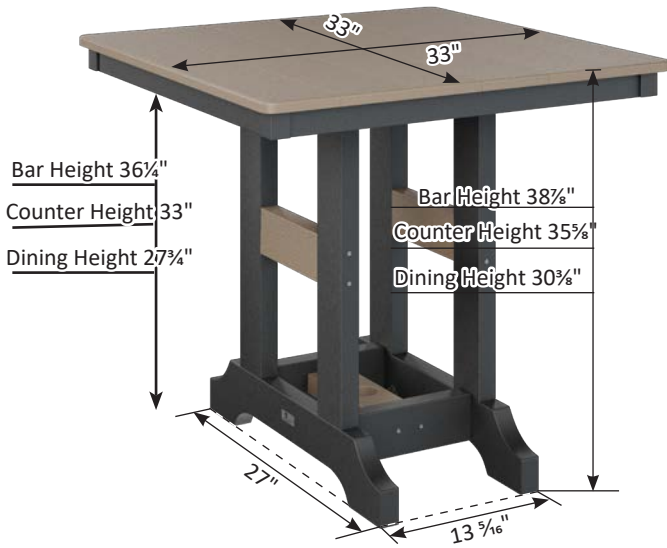
44"x72" Rectangle Table



44"x96" Rectangle Table

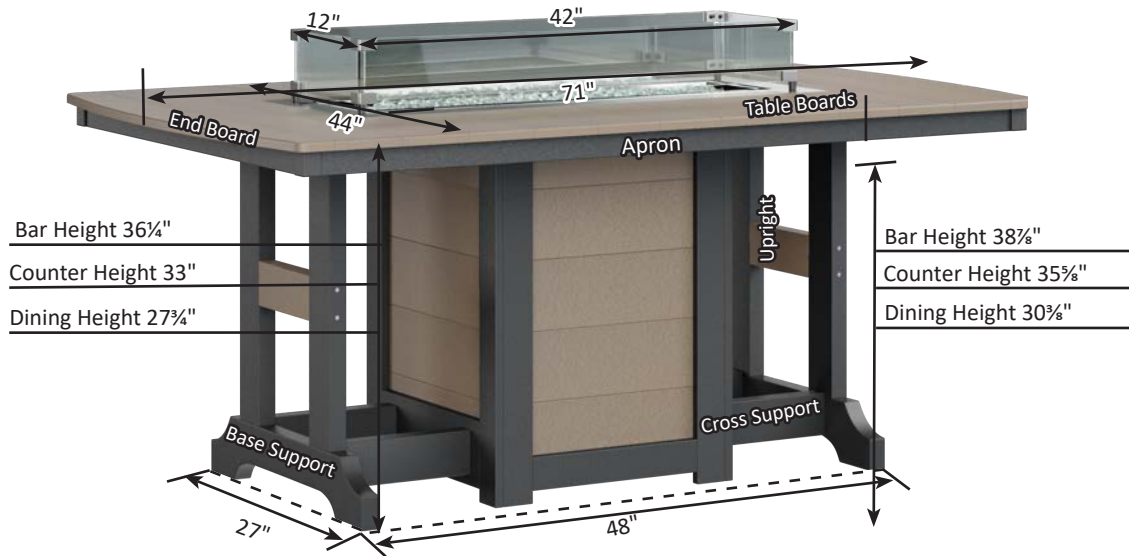
Garden Classic Table Dimensions

33" Square Table

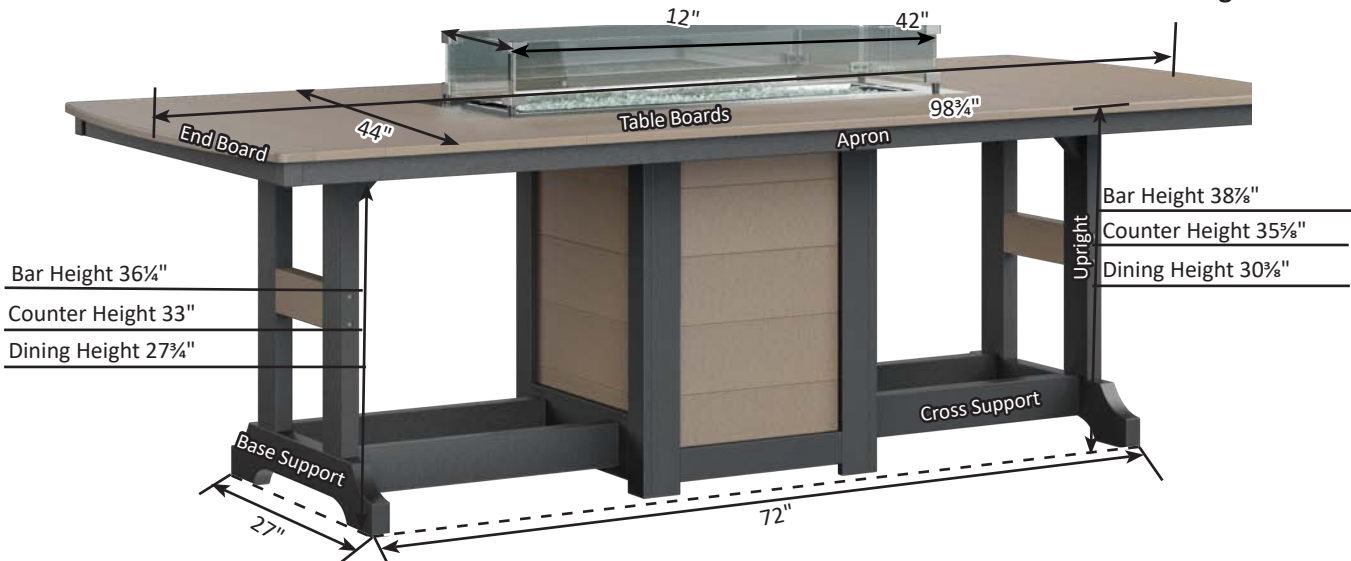


33" x 66" Rectangular Table

44" x 72" Rectangular Fire Table

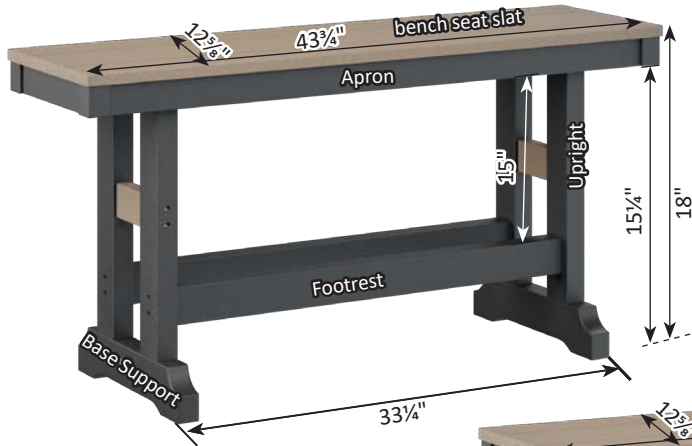


44" x 96" Rectangular Fire Table

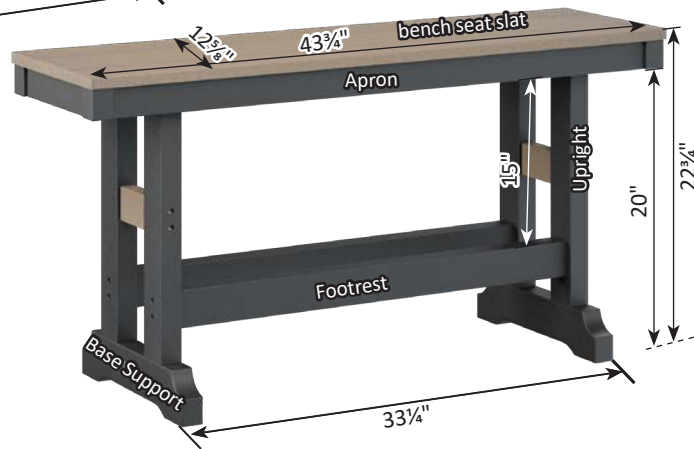


Garden Classic Bench Dimensions

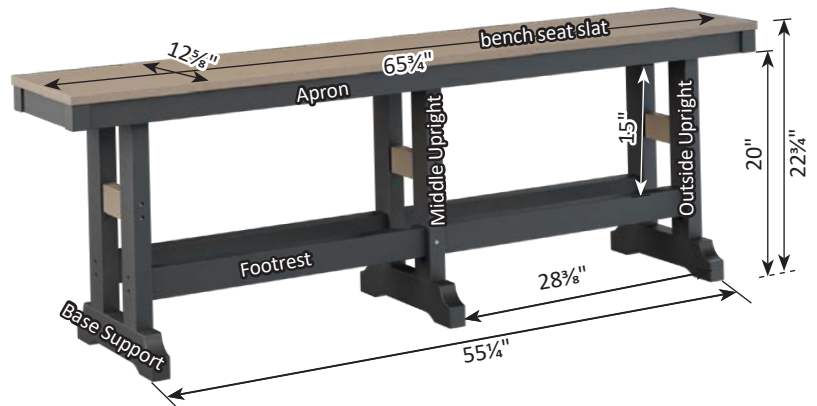
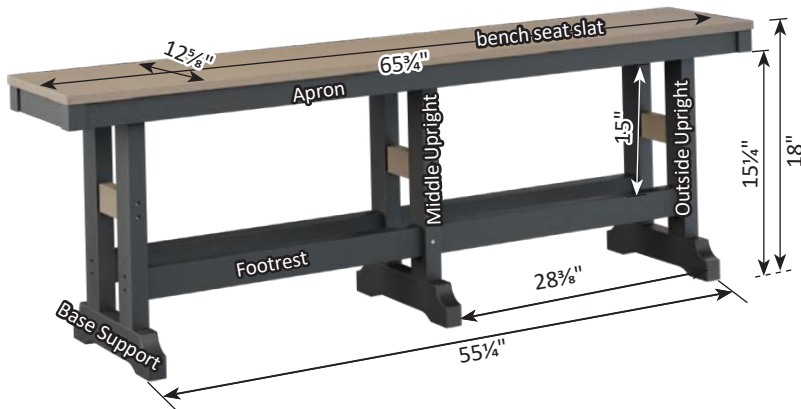
44" Garden Classic Dining Bench



44" Garden Classic Counter Bench



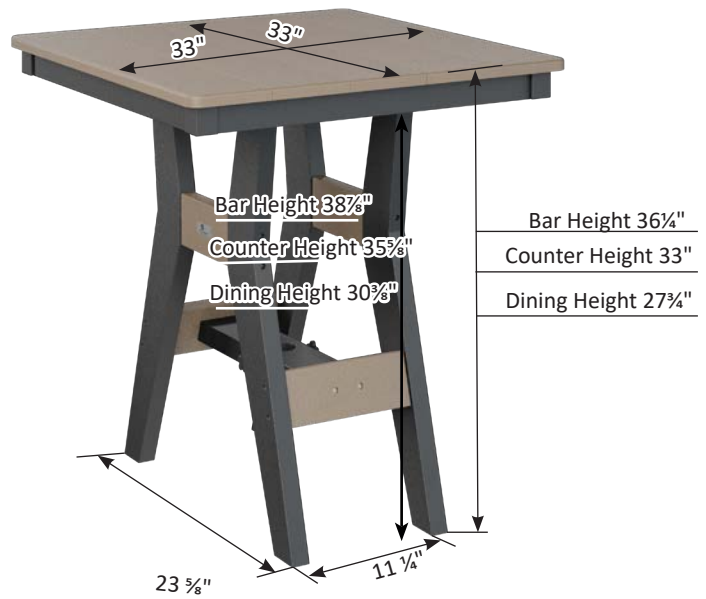
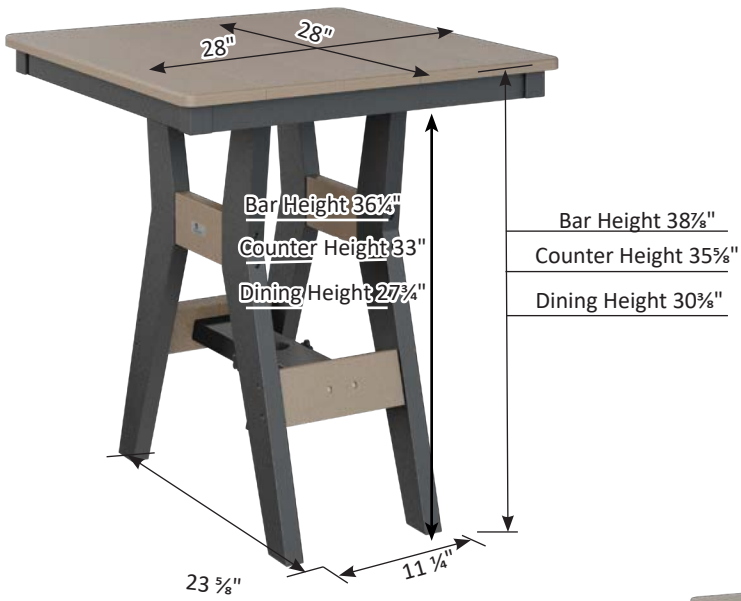
66" Garden Classic Dining Bench



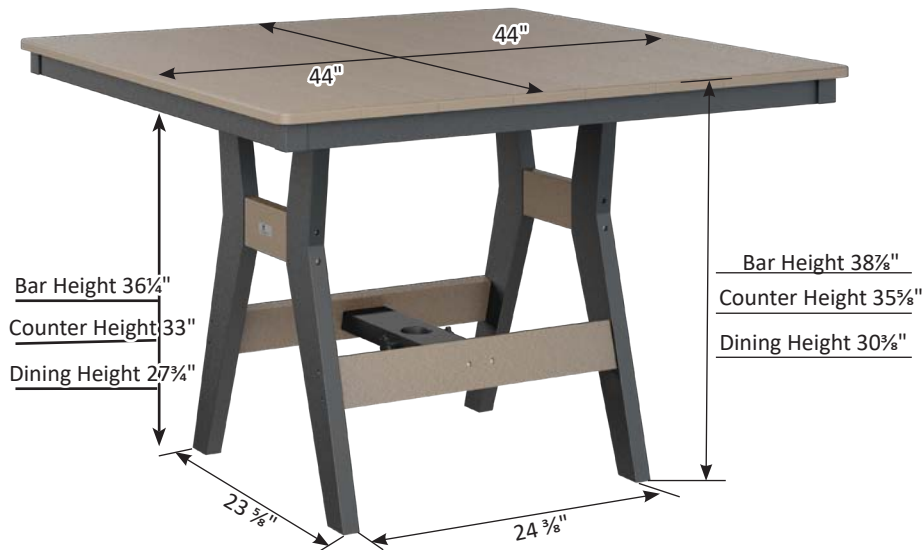
66" Garden Classic Counter Bench

Harbor Collection Dimensions

Harbor 28" Square Table



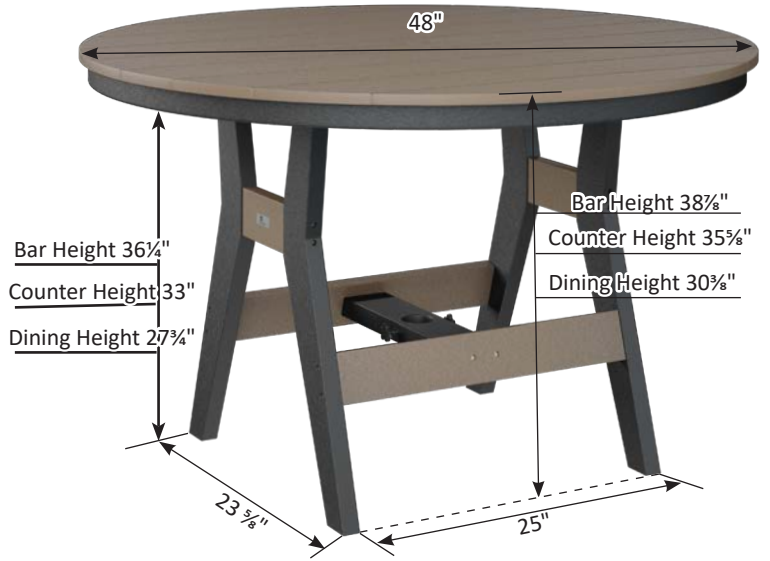
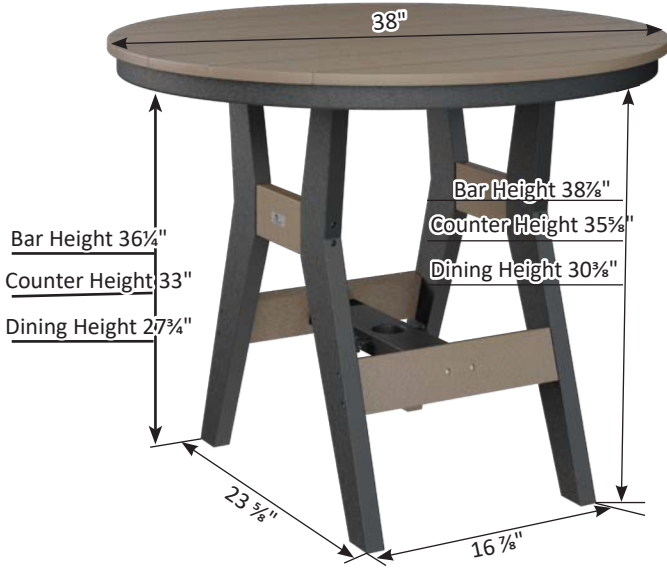
Harbor 33" Square Table



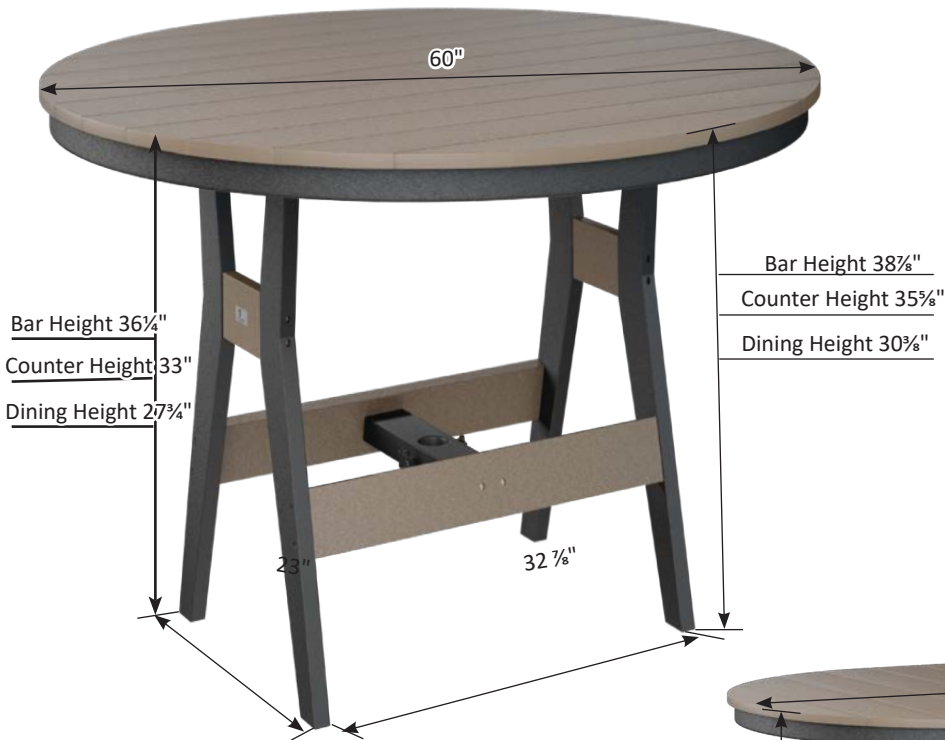
Harbor 44" Square Table

Harbor Collection Dimensions

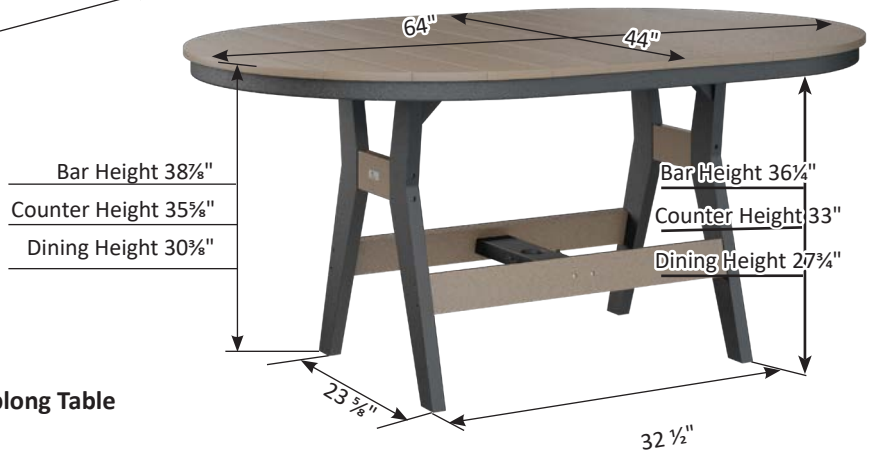
Harbor 38" Round Table



Harbor 48" Round Table



Harbor 60" Round Table

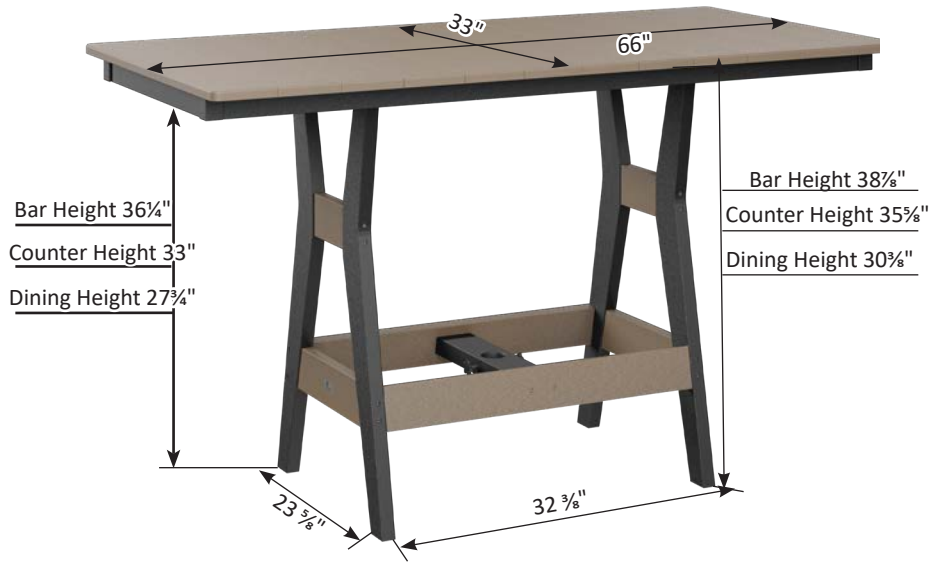


Harbor 44" x 64" Oblong Table

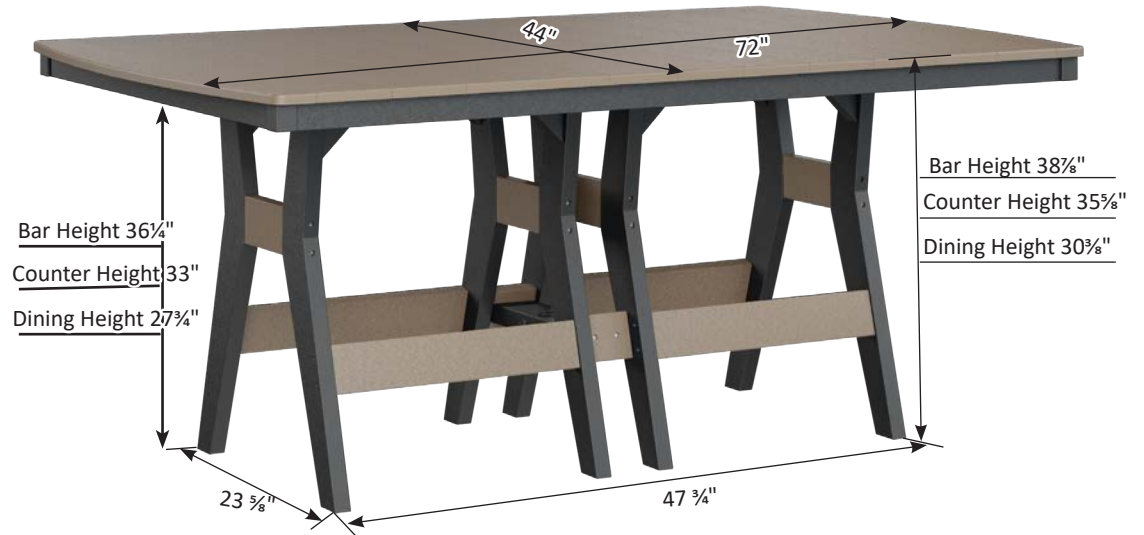
Harbor Collection Dimensions

FM-37

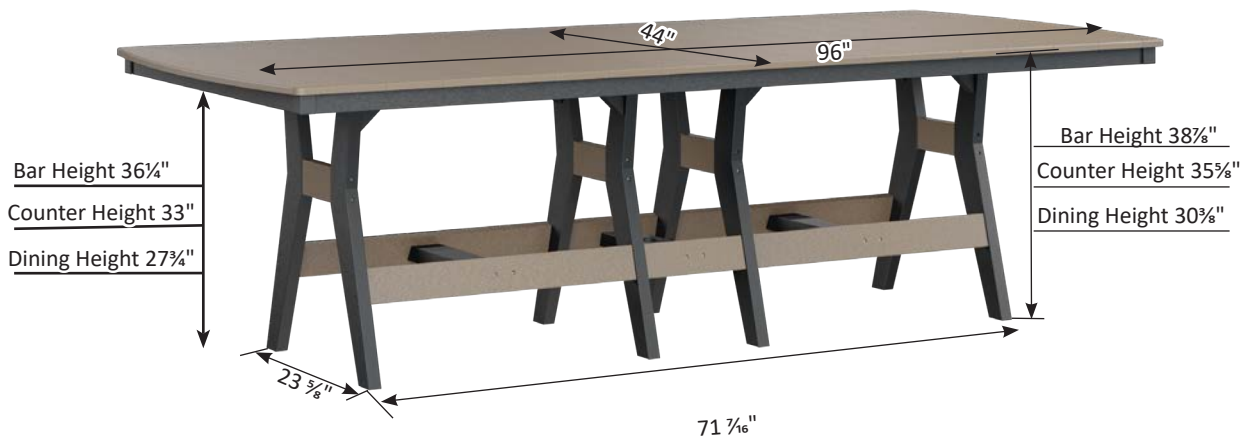
Harbor 33" x 66" Rectangular Table



Harbor 44" x 72" Rectangular Table



Harbor 44" x 96" Rectangular Table



Harbor Collection Dimensions



Harbor 44" Dining Bench

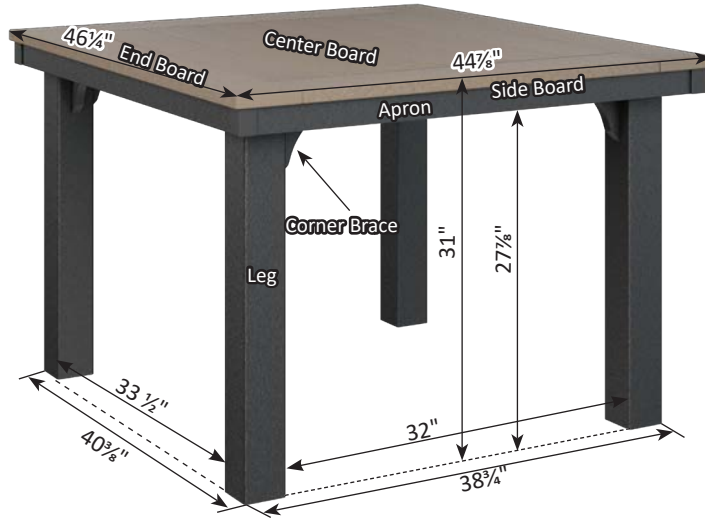


Harbor 66" Dining Bench

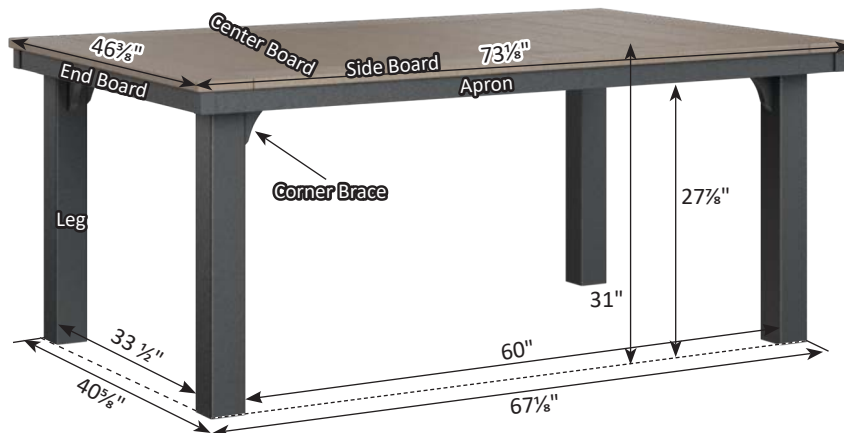
Homestead Table Dimensions

Homestead Tables come with umbrella holes

Homestead 44" Square Dining Table



Homestead 44" x 72" Rectangular Dining Table



Outdoor Island and Bar Stool Dimensions



Saddle Bar Stool



Saddle Counter Stool



Saddle Stool Back Kit



Bar Stool

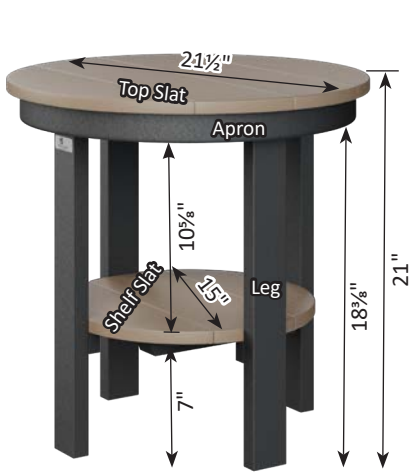


Outdoor Island Front View

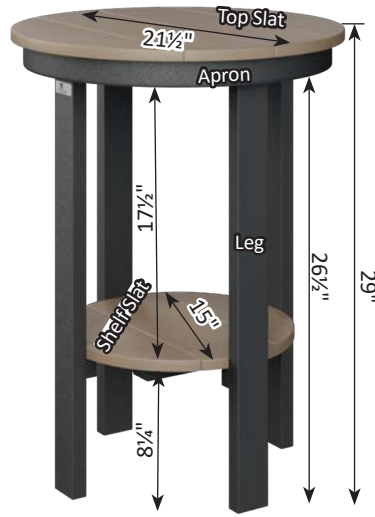


Outdoor Island Back View

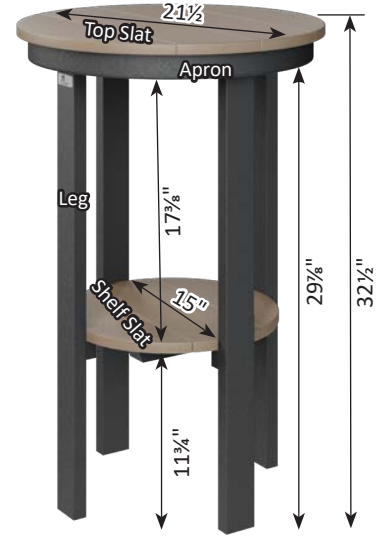
Accessory Dimensions



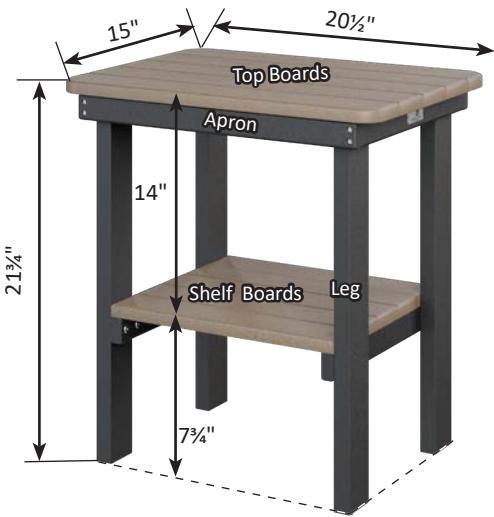
Round End Table (Dining Height)



Round End Table (Counter Height)



Round End Table (Bar Height)



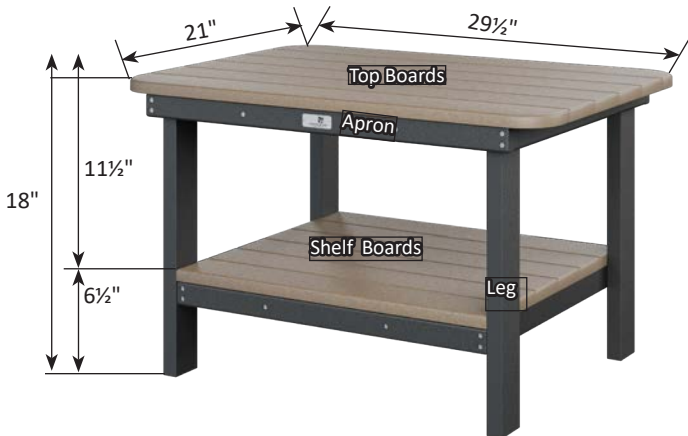
Rectangular End Table



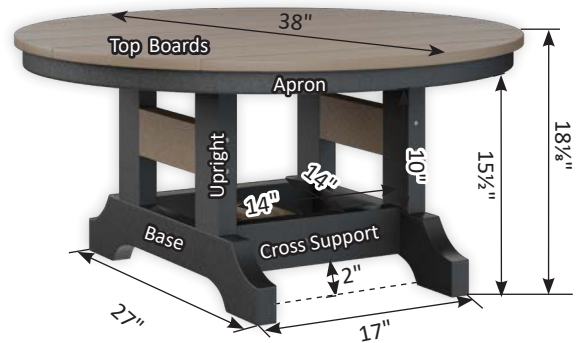
Rectangular End Table (Counter Height)



Rectangular End Table (Bar Height)

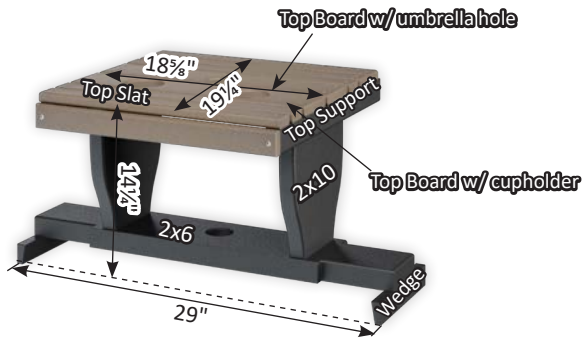


Rectangular Coffee Table

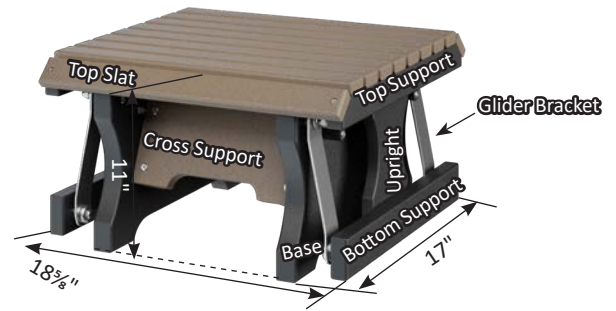


Conversation Table

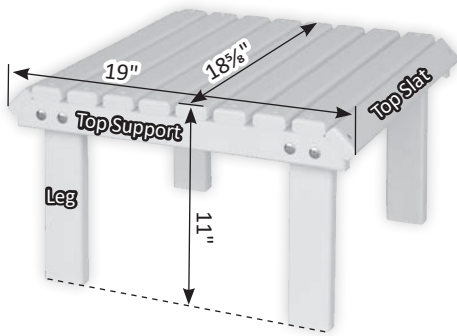
Accessory Dimensions



Gliding Settee



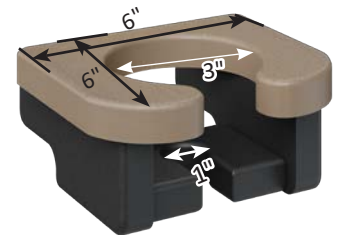
Gliding Footstool



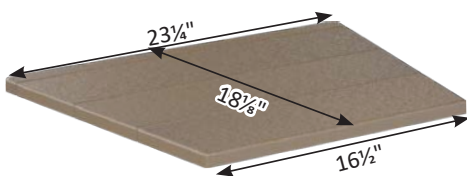
Stationary Footstool



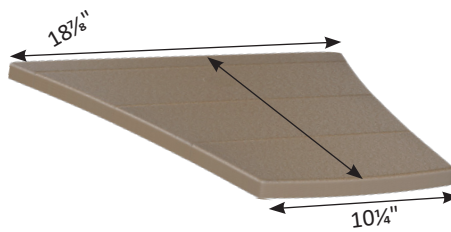
Adirondack Footstool



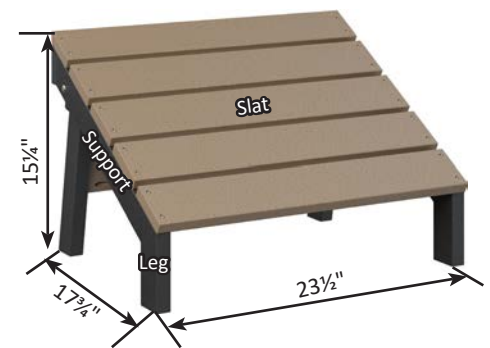
Cupholder



Adirondack Tete-a-Tete

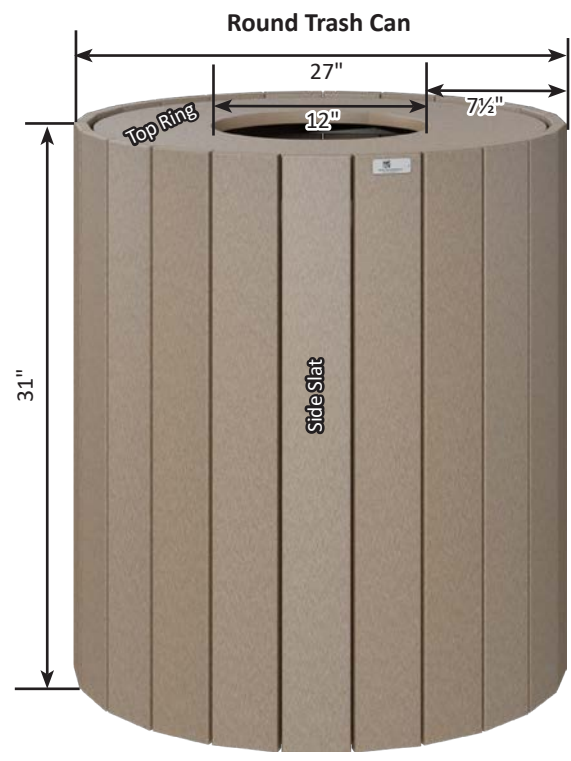


Dining/Bar Tete-a-Tete



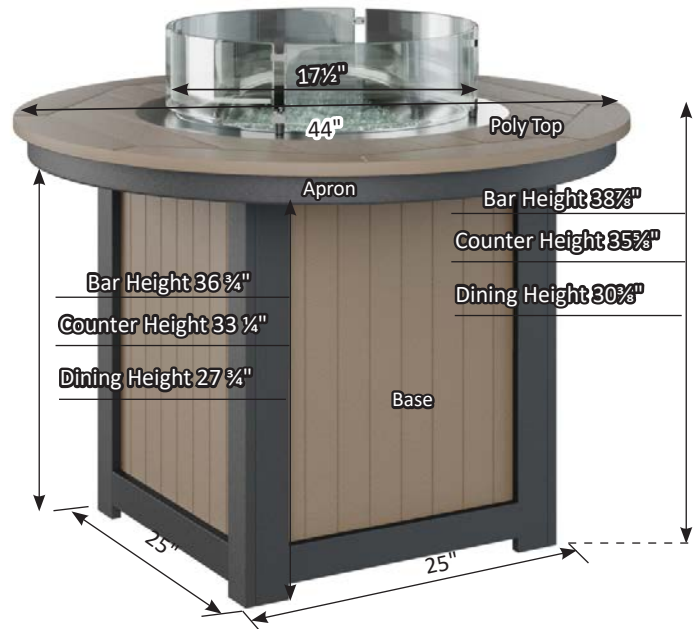
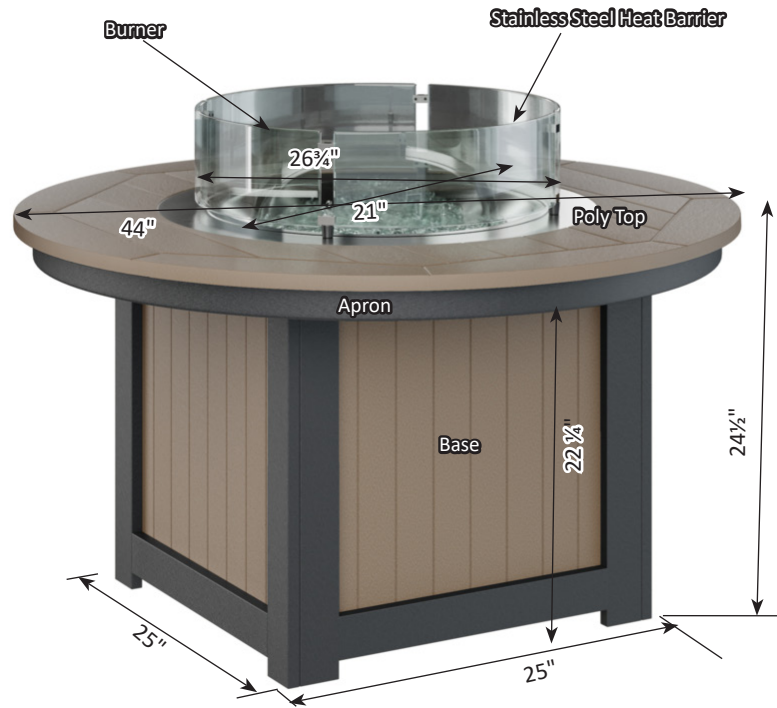
Mayhew Folding Footstool

Accessory Dimensions



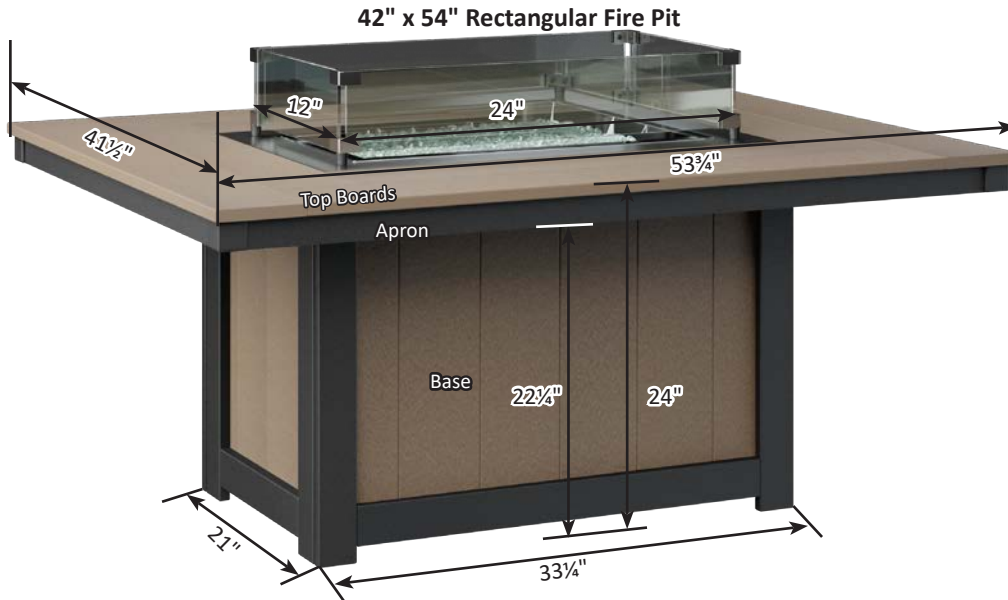
Donoma Firepit and Fire Table Dimensions

Donoma Poly Fire Pit

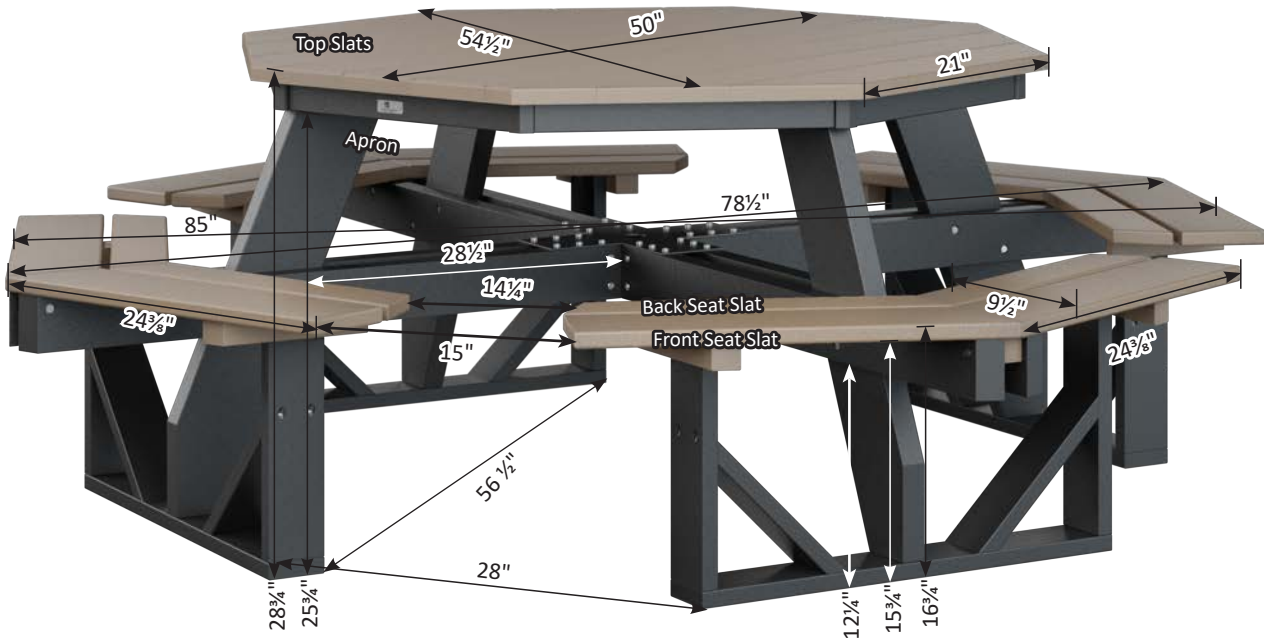


Donoma Poly Fire Table

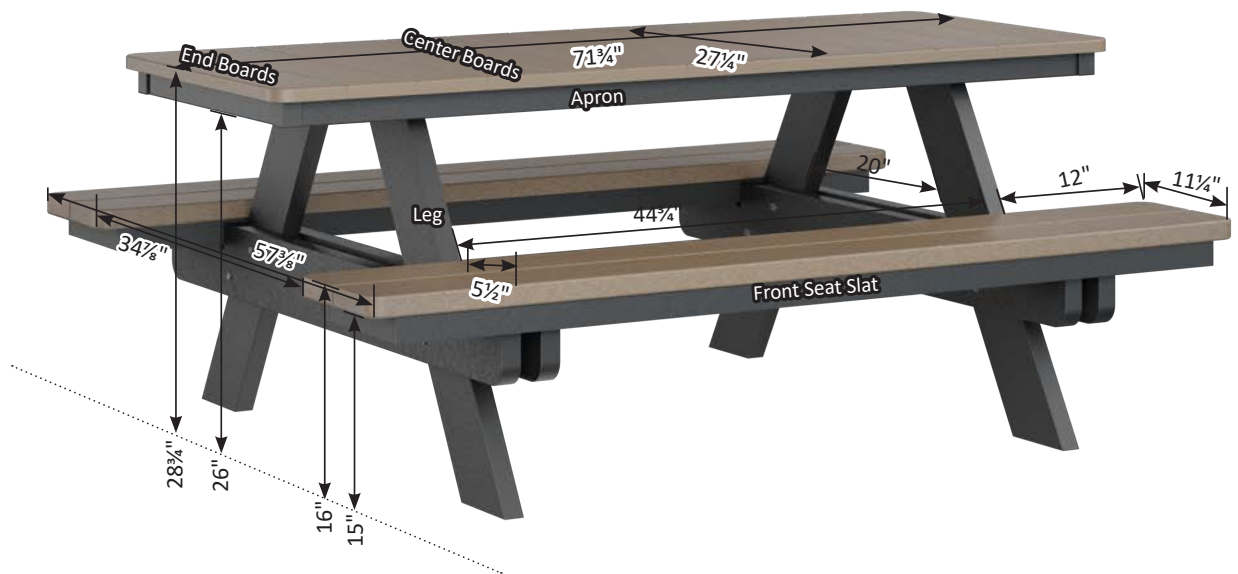
Rectangular Fire Pit and Fire Table Dimensions



Picnic Table Dimensions

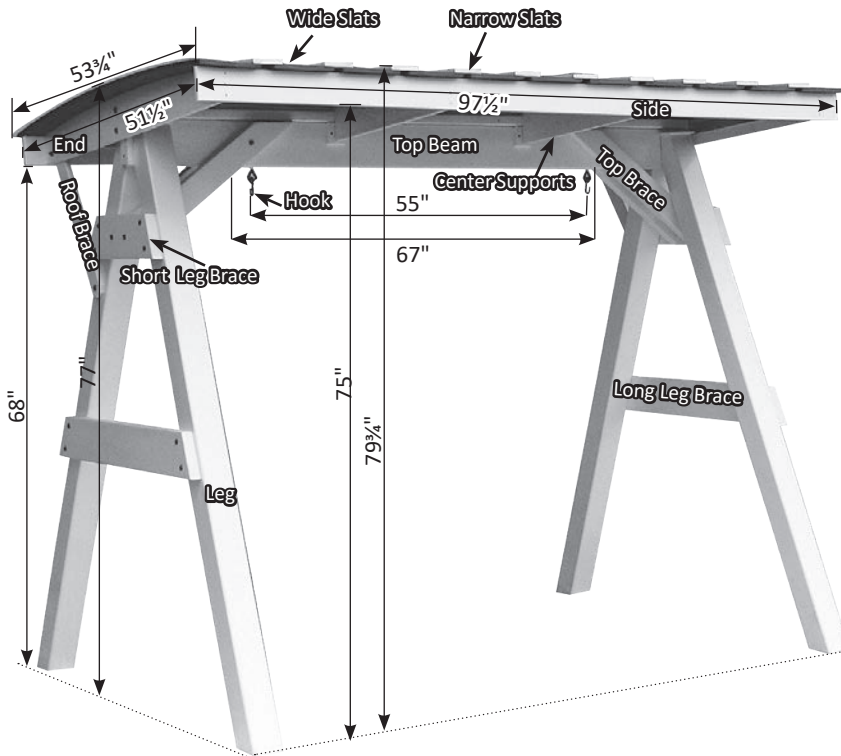


Octagon Picnic Table



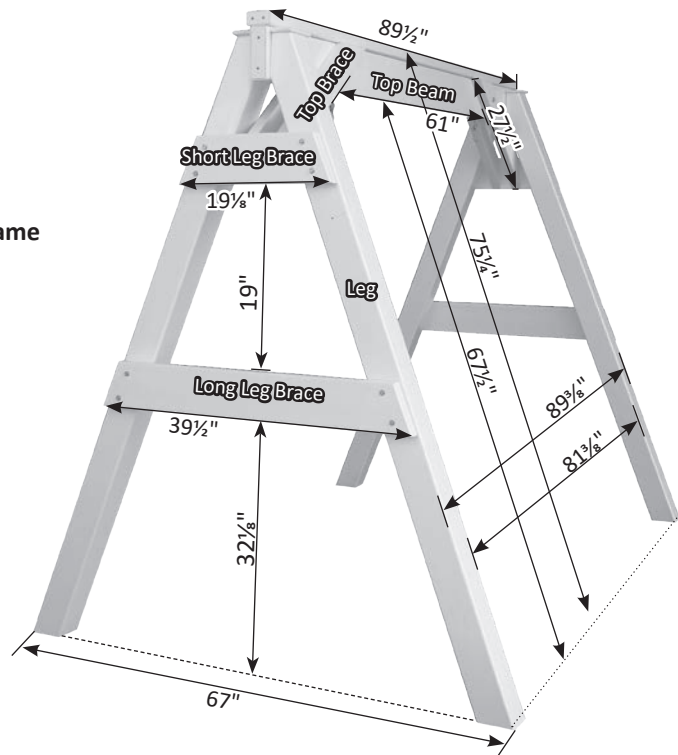
Rectangular Picnic Table

A-Frame & A-Frame Roof Dimensions

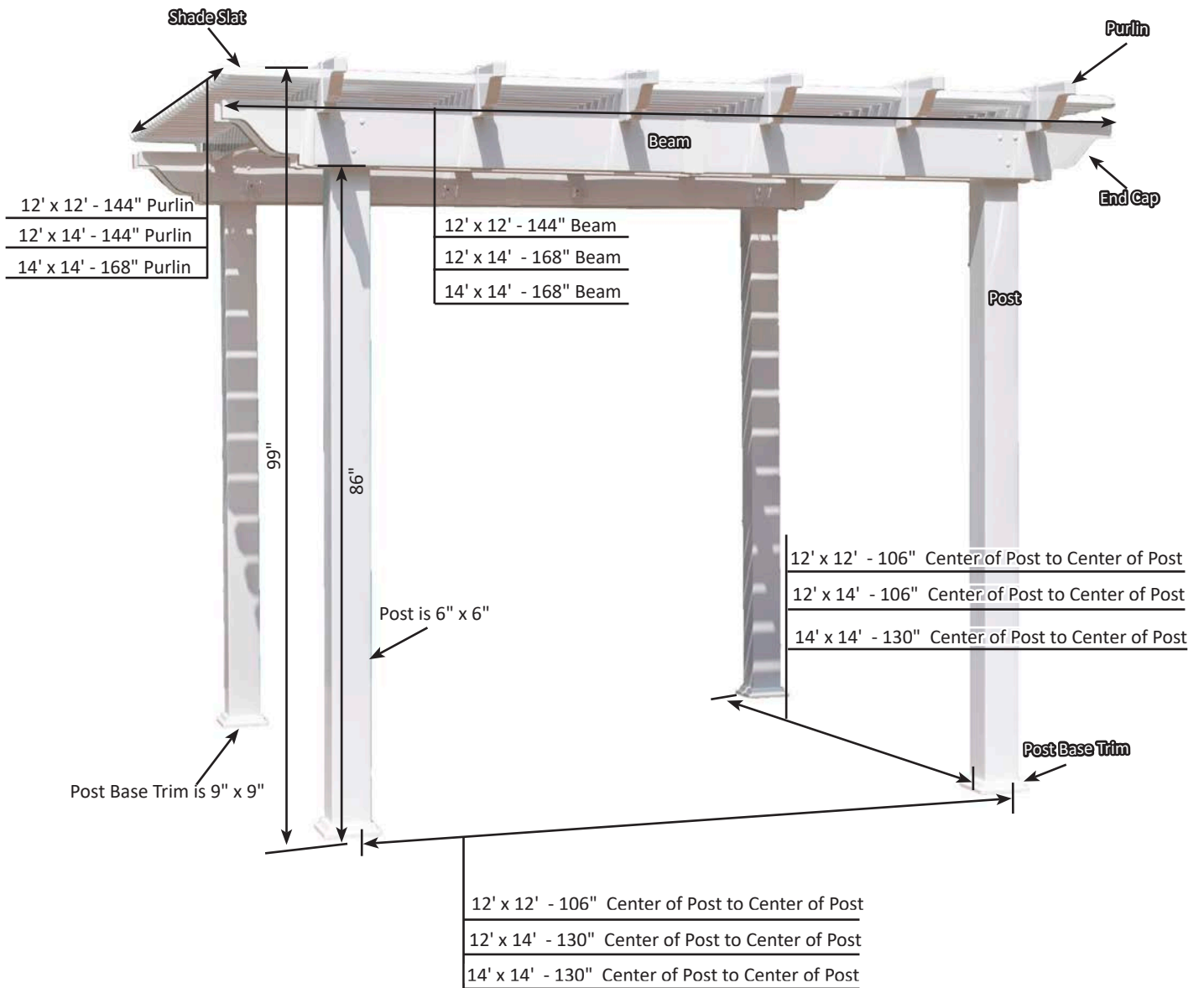


Vinyl A-Frame w/ Roof

Vinyl A-Frame

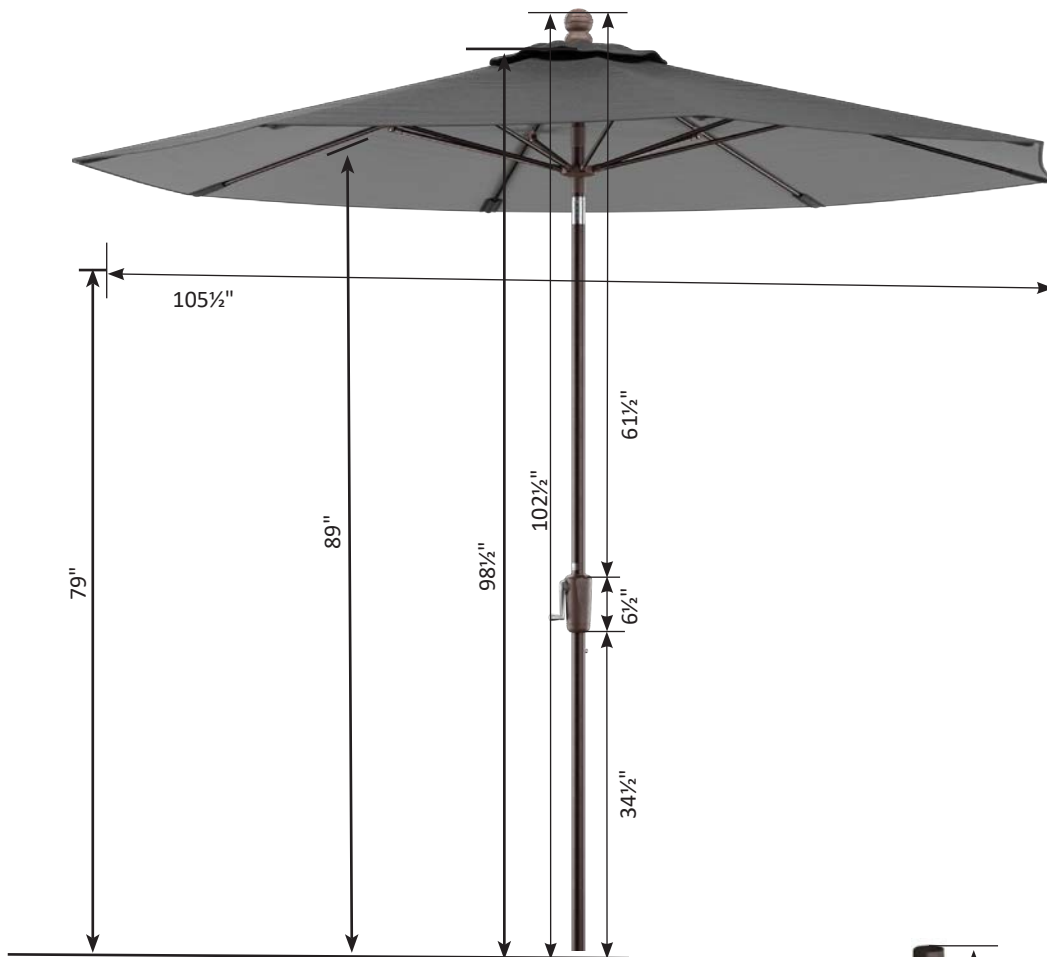


Bradford Pergola Dimensions

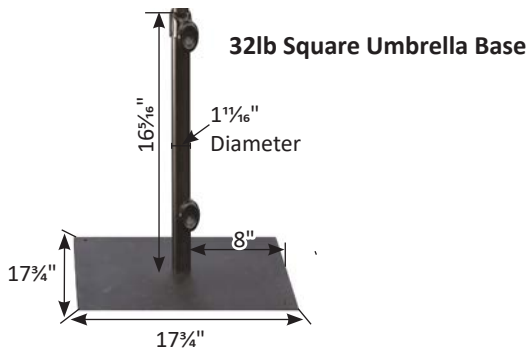


Brandford Vinyl Pergola

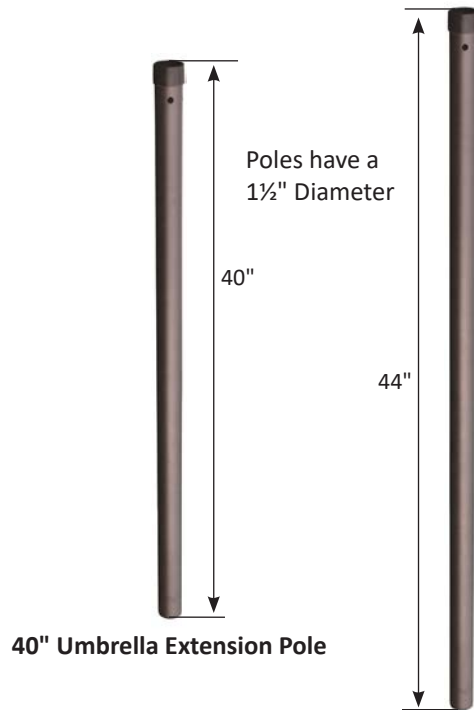
Umbrella Dimensions



9' Octagon Umbrella (Fiberglass/Auto)



32lb Square Umbrella Base



40" Umbrella Extension Pole

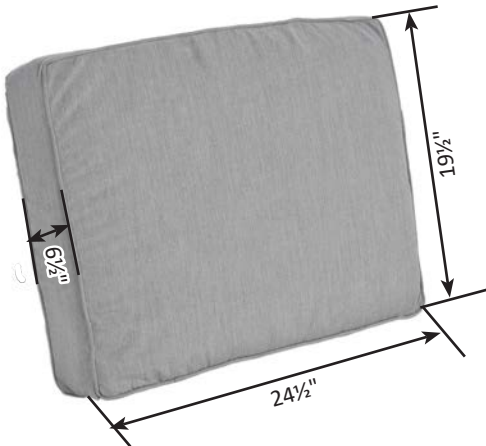
44" Umbrella Extension Pole

Mayhew Cushion Dimensions

FM-51

Mayhew Back Cushion

Fits: Mayhew or Classic Terrace Swivel Rocker, Club Chair, Loveseat, Sofa, & Center Armless Chair



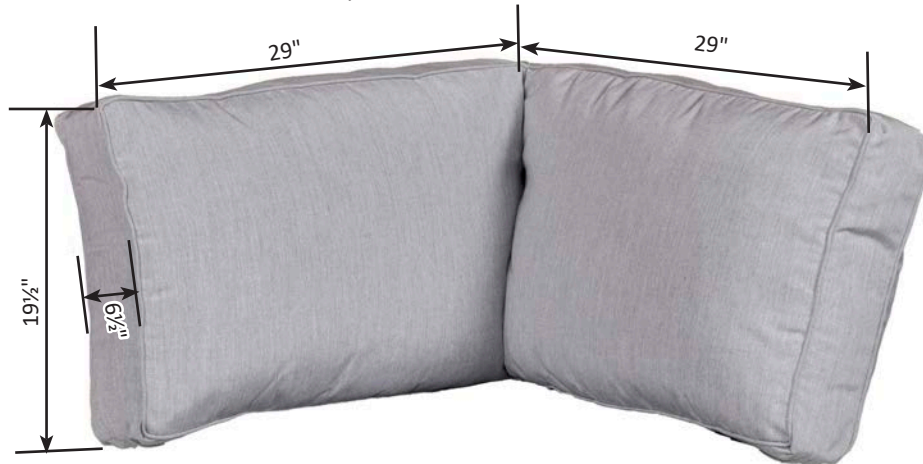
Mayhew Seat Cushion

Fits: Mayhew or Classic Terrace Swivel Rocker, Club Chair, Loveseat, Sofa, & Center Armless Chair



Mayhew Sectional Back Cushion

Fits: Mayhew Corner Section



Mayhew Ottoman Cushion

Fits: Mayhew Ottoman



Mayhew Sectional Seat Cushion

Fits: Mayhew Corner Section



Nordic Cushion Dimensions



Nordic Back Cushion
Fits Nordic Rocker, Club,
Loveseat, and Sofa



Nordic Ottoman Cushion
Fits Nordic Ottoman



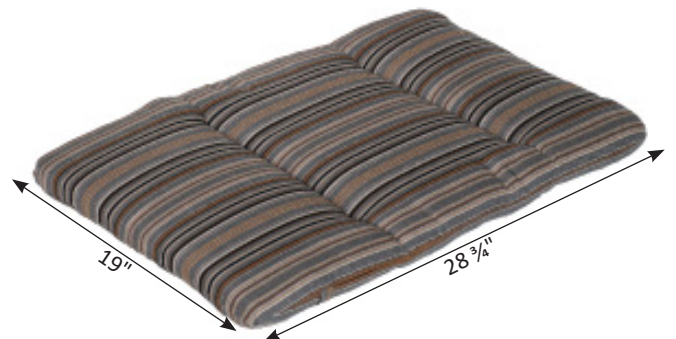
Nordic High Back Cushion
Fits Nordic High Back
Club Chair



Nordic Seat Cushion
Fits Nordic Rocker, Club,
Loveseat, and Sofa



Nordic Adirondack Seat Cushion
Fits Nordic Adirondack



Nordic Adirondack Back Cushion
Fits Nordic Adirondack

Classic Terrace Cushion Dimensions

Classic Terrace Back Cushion

Fits: Classic Terrace or Mayhew Swivel Rocker, Club Chair, Loveseat, Sofa, & Center Armless Chair



Classic Terrace Ottoman Cushion

Fits: Classic Terrace Ottoman



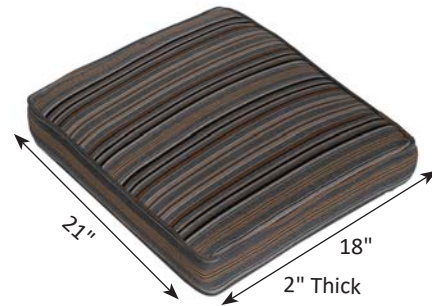
Classic Terrace-Seat Cushion

Fits: Classic Terrace or Mayhew Swivel Rocker, Club Chair, Loveseat, Sofa, Center Armless Chair, and High Back Swivel Rocker



Classic Terrace Dining Seat Cushion

Fits: Classic Terrace Dining Chair



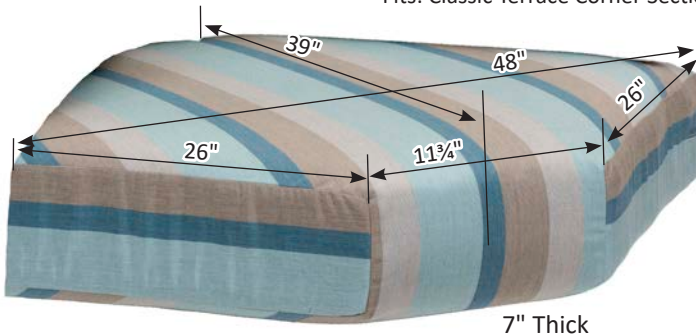
Classic Terrace-Corner Back Cushion

Fits: Classic Terrace Corner Section



Classic Terrace-Corner Seat Cushion

Fits: Classic Terrace Corner Section

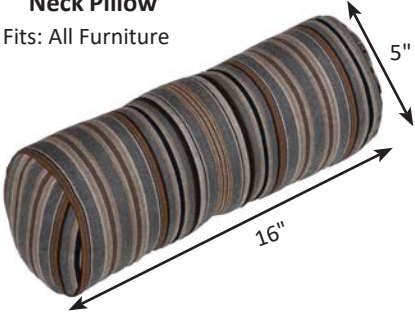


Classic Terrace High Back Swivel Rocker Back Cushion

Fits Classic Terrace High Back Swivel Rocker Back Cushion

Pillow Dimensions

Neck Pillow
Fits: All Furniture



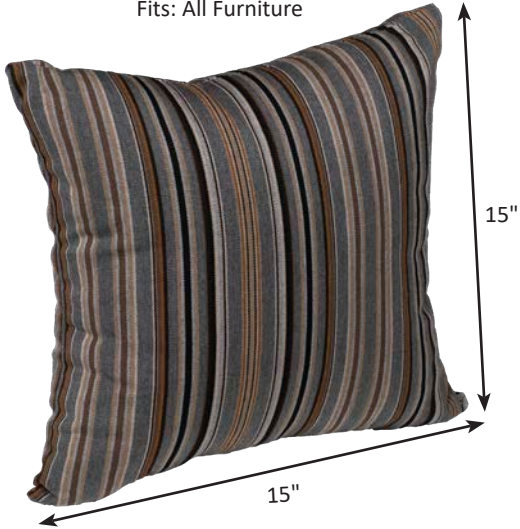
7"x17" Lumbar Pillow
Fits: All Furniture



Head Rest Pillow
Fits: All Furniture
*Filled with Scrap Poly Shavings



15"x15" Throw Pillow
Fits: All Furniture



17"x17" Throw Pillow
Fits: All Furniture



15"x15" Throw Pillow with Cording
Fits: All Furniture



17"x17" Throw Pillow with Cording
Fits: All Furniture



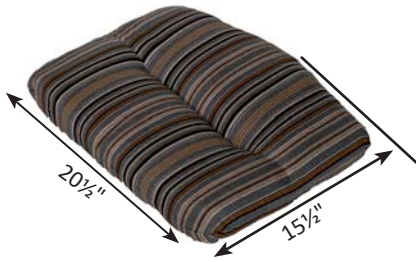
Seat Cushion Dimensions

FM-55

****ALL SEAT CUSHIONS ARE 2" THICK & TIGHTENING STRAPS ARE 14" LONG****

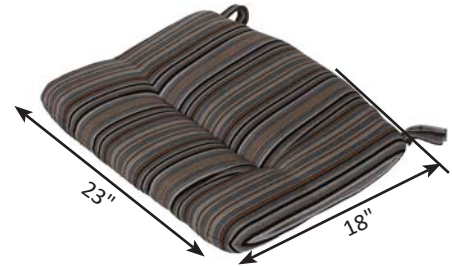
21" Seat Cushion

Fits: All Comfo-Back and Cozi-Back Swivel & Stationary Dining, Counter, Bar & XT Height Chairs



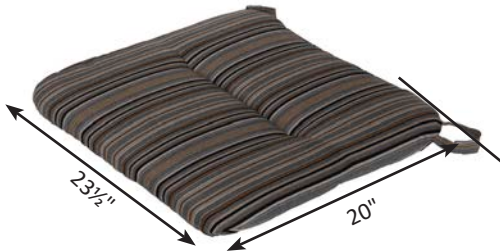
Single Comfo and Cozi-Back Seat Cushion

Fits: Single Gliders, Swivel Gliders, Rockers, Adirondack Chairs & Deck Chairs



Mayhew Chat Chair Seat Cushion

Fits: Mayhew Chat Chair



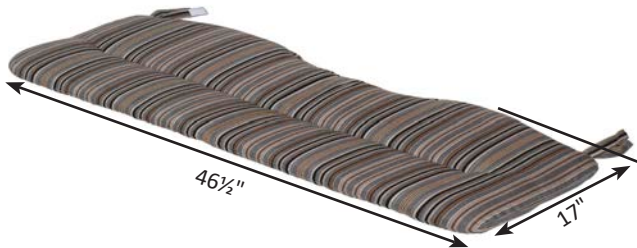
Mayhew Adirondack Seat Cushion

Fits: Mayhew Adirondack Chairs



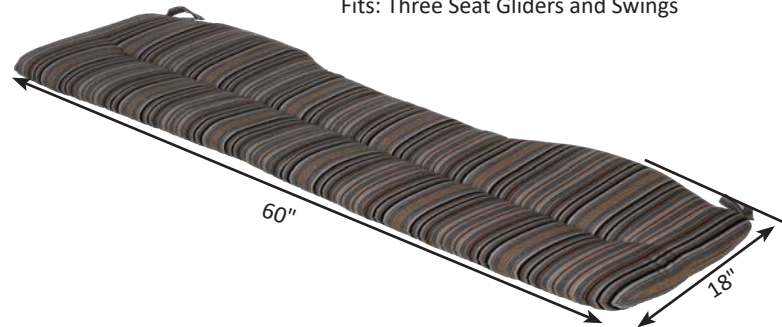
Double Comfo and Cozi-Back Seat Cushion

Fits: Double Gliders and Swings



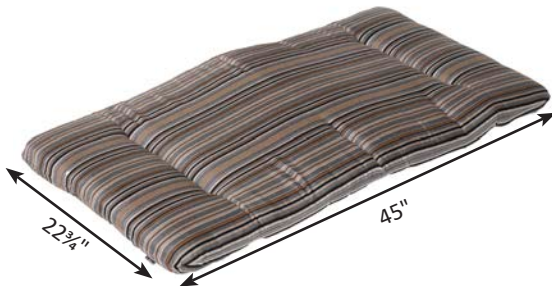
Three Seat Comfo and Cozi-Back Seat Cushion

Fits: Three Seat Gliders and Swings



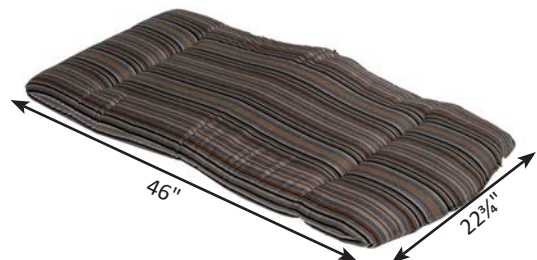
Casual-Back Chaise Lounge Seat Cushion

Fits: Casual-Back Chaise Lounge



Comfo-Back Chaise Lounge Seat Cushion

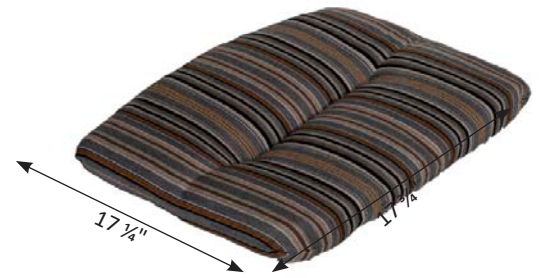
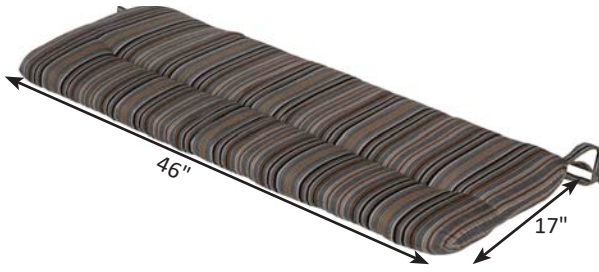
Fits: Comfo-Back Chaise Lounge



Seat Cushion Dimensions

****ALL SEAT CUSHIONS ARE 2" THICK & TIGHTENING STRAPS ARE 14" LONG****

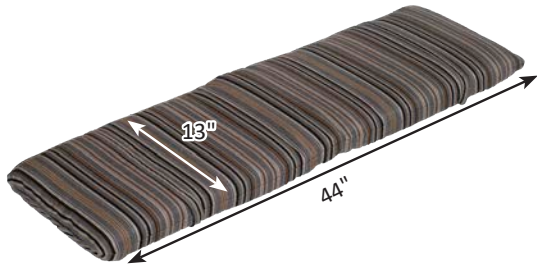
Double Seat Casual-Back Seat Cushion
Fits: Double Casual Swing & Garden Bench



Bristol Dining Chair Seat Cushion
Fits Bristol Swivel and Stationary,
Dining, Counter Bar and XT Chairs

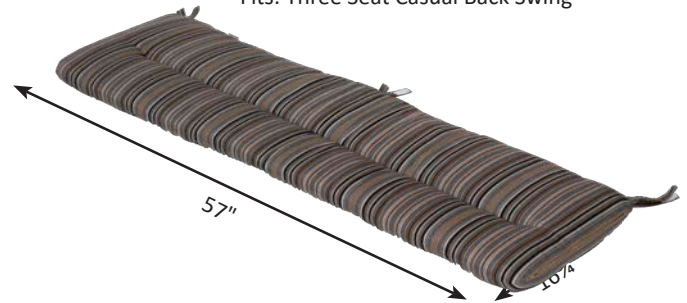
44" Dining Bench Cushion

Fits: Garden Classic 44" Dining & Counter Height Bench



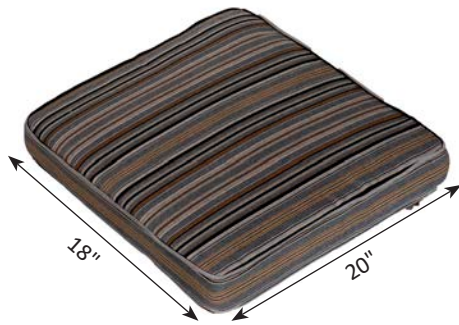
Three Seat Casual-Back Seat Cushion

Fits: Three Seat Casual Back Swing



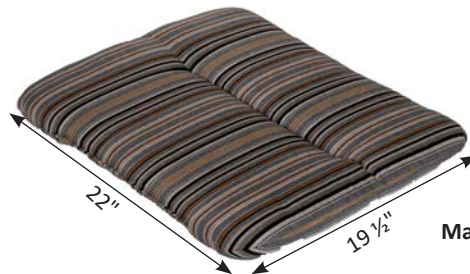
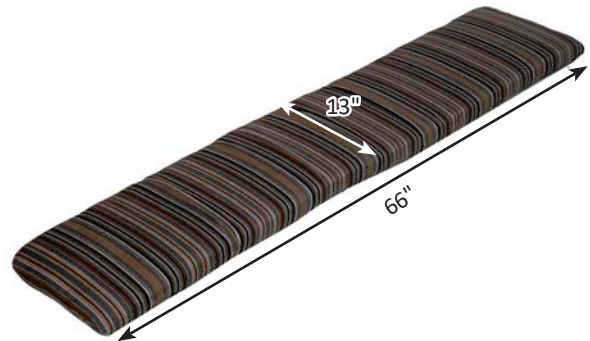
Porch Rocker Seat Cushion

Fits: Porch Rocker



66" Dining Bench Cushion

Fits: Garden Classic 66" Dining & Counter Height Bench



Mayhew Chat Dining Seat Cushion
Fits Mayhew Chat Dining Swivel and
Stationary, Dining, Counter Bar and
XT Chairs

Back Cushion Dimensions

FM-57

****ALL BACK CUSHIONS ARE 2" THICK****

Comfo-Back Cushion

Fits: Gliders, Swings, Adirondack Chairs, Chaise Lounge & Deck Chairs



Comfo-Back Dining Chair Cushion

Fits: Dining, Counter, Bar & XT Chairs



Cozi-Back Cushion

Fits: All Cozi-Back Furniture



Casual-Back Chaise Lounge Back Cushion

Fits: Casual Back Chaise Lounge



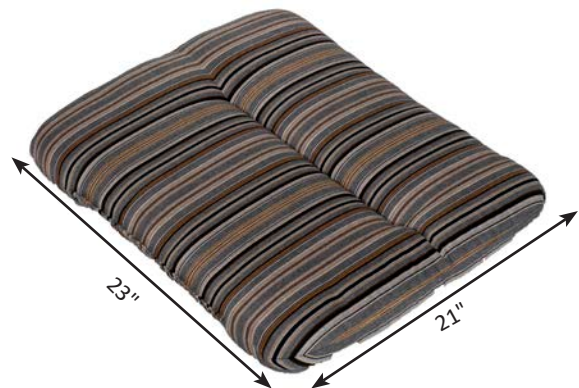
Mayhew Adirondack Back Cushion

Fits: Mayhew Adirondack Chair



Mayhew Chat Chair Back Cushion

Fits: Mayhew Chat Chair



Back Cushion Dimensions

****ALL BACK CUSHIONS ARE 2" THICK****

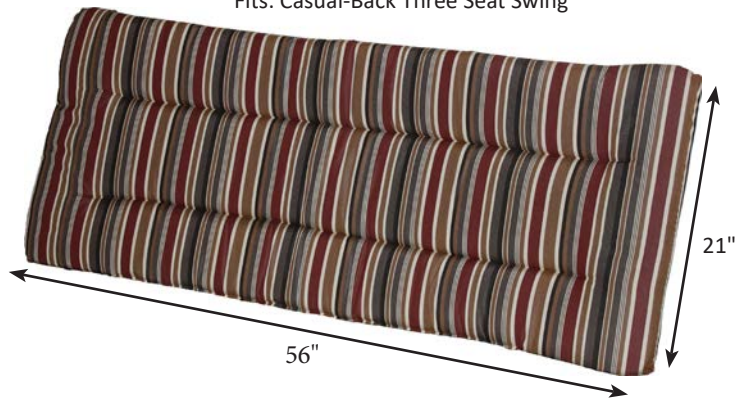
Double-Casual Back Cushion

Fits: Casual-Back Double Swing



Three Seat Casual-Back Cushion

Fits: Casual-Back Three Seat Swing



Comfo-Back Three Seat Center Back Cushion

Fits: Comfo-Back Three Seat Glider & Swing



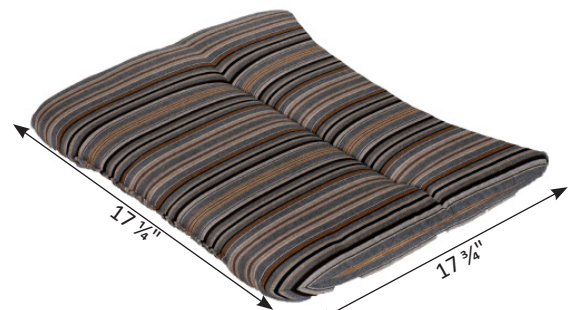
Cozi-Back Three Seat Center Back Cushion

Fits: Cozi-Back Three Seat Glider & Swing



Mayhew Chat Dining Back Cushion

Fits Mayhew Chat Dining Swivel and Stationary, Dining, Counter Bar and XT Chairs



Bristol Dining Chair Back Cushion

Fits Bristol Swivel and Stationary, Dining, Counter Bar and XT Chairs

Cleaning Products

Berlin Gardens Cleaning Products



Heavy Duty Fabric Cleaner 32 oz.

Removes Tough Dirt, Stains, Bird Deposits and More. Provides UV Protection



Mildew Stain Remover 32 oz.

Removes Mildew Stains form Vinyl, Cushions, Umbrellas, and other Outdoor Surfaces



Water Repel 32 oz.

Waterproofs Canvas, Nylon, All Acrylic Fabrics and Leather



Heavy Duty Xtreme Clean 32 oz.

All-Surface Cleaner & Degreaser Removes Tough Stains, Dirt, Bird Deposits and More

Sunbrella Stain Chart



STAIN CHART

This chart contains our recommended cleaning methods of Sunbrella® fabric for some of the most common and toughest stains. You may also use Carbona Stain Devil cleaning products. Available from national retailers, Carbona provides 9 formulas made to get out different types of stains. Apply the number indicated for your stain.

STAIN	RECOMMENDED CLEANING SOLUTIONS	CARBONA STAIN DEVIL NO.
BEER	Dawn® dishwashing liquid (2 oz.) / 1 gallon water / white vinegar (3 oz.)	8
BERRY	Dawn® dishwashing liquid (2 oz.) / 1 gallon water / ammonia (4-8 oz.)	8
BIRD DROPPINGS	Dawn® dishwashing liquid (2 oz.) / 1 gallon water, or try Goo Gone Grease Cutter (a hand cleaner), Greased Lightning, or Clean Rite Purple Power (available at Wal-Mart, K-Mart, etc.)	
BLOOD (DRIED)	Dawn® dishwashing liquid (2 oz.) / 1 gallon water / ammonia (4-8 oz.)	4
BUTTER	volatile solvent (acetone) 100%	5
CHARCOAL, PENCIL MARKS	vacuum, then Dawn® dishwashing liquid (2 oz.) / 1 gallon water	3
CATSUP OR MUSTARD	Dawn® dishwashing liquid (2 oz.) / 1 gallon water	2
CHEWING GUM	volatile solvent (acetone) 100%	1
CHOCOLATE	Dawn® dishwashing liquid (2 oz.) / 1 gallon water / ammonia (4 oz.)	2
COFFEE	Dawn® dishwashing liquid / water, white vinegar, volatile solvent (acetone)	8
COLA	Dawn® dishwashing liquid (2 oz.) / 1 gallon water	8
CRAYON	paint remover (100%), oil or grease remover (mix as directed)	3
EGG (RAW)	Dawn® dishwashing liquid (2 oz.) / 1 gallon water	4
GRAPE JUICE	Dawn® dishwashing liquid (2 oz.) / 1 gallon water	8
GRAVY	Dawn® dishwashing liquid (2 oz.) / 1 gallon water	2
GREASE (CAR)	volatile solvent (acetone) 100%	5
INK (PERMANENT, INDIA, BALLPOINT)	paint remover (100%), volatile solvent (acetone) 100%, soap and water	3
IRON RUST	Carbona™ Stain Devil #9	9
LIPSTICK	paint remover, oil or grease remover (mix as directed)	6
MASCARA	paint remover (100%), volatile solvent (acetone-100%), Dawn® dishwashing liquid (2 oz.) / 1 gallon water	8
MILDEW	bleach (1 cup) / Dawn® dishwashing liquid (2 oz.) / 1 gallon water	4
MILK	Dawn® dishwashing liquid (2 oz.) / 1 gallon water	8
NAIL POLISH	volatile solvent (acetone) 100%	1
OIL	volatile solvent (acetone) 100%	5
ORANGE DRINK	Dawn® dishwashing liquid (2 oz.) / 1 gallon water	8
PAINT (LATEX) WET	Dawn® dishwashing liquid (2 oz.) / 1 gallon water	1
PAINT (LATEX) DRIED	paint remover (100%), oil or grease remover (mix as directed)	1
PAINT (OIL OR LACQUER)	paint remover (100%), oil or grease remover (mix as directed)	5
SHOE POLISH (LIQUID)	volatile solvent (acetone) 100%	7
SHOE POLISH (WAX)	apply heated iron over towel, volatile solvent (acetone) 100%	1
SUNTAN LOTION	Pine Power® or pine oil detergent / water (mix as directed)	5
TEA	Dawn® dishwashing liquid (2 oz.) / 1 gallon water	8
TOMATO JUICE	Dawn® dishwashing liquid (2 oz.) / 1 gallon water	2
TREE SAP	turpentine (100%), Dawn® dishwashing liquid (2 oz.) / 1 gallon water	7
URINE	Dawn® dishwashing liquid (2 oz.) / 1 gallon water / white vinegar (3 oz.)	8
VOMIT	Dawn® dishwashing liquid (2 oz.) / 1 gallon water / white vinegar (3 oz.)	8
FOOD COLOR	Dawn® dishwashing liquid (2 oz.) / 1 gallon water / white vinegar (3 oz.)	6
WAX (CANDLE)	apply heated iron over towel, volatile solvent (acetone) 100%	1
WINE	Dawn® dishwashing liquid (2 oz.) / 1 gallon water / ammonia (4-8 oz.) / white vinegar (3 oz.)	8



Glen Raven Custom Fabrics, LLC
1831 North Park Avenue, Glen Raven, NC 27217 USA

t. 336.221.2211 / f. 336.586.1169

www.sunbrella.com



REVISED 3/31/10

SUNBRELLA® IS A REGISTERED TRADEMARK OF GLEN RAVEN, INC.



FABRIC WARRANTY

WHO THIS WARRANTY PROTECTS	This warranty protects the original purchaser of Sunbrella fabric.
WHAT THIS WARRANTY PROTECTS AGAINST	This warranty protects against Sunbrella fabric becoming unserviceable due to color or strength loss from normal usage and exposure conditions, including sunlight, mildew and atmospheric chemicals.
WHAT THIS WARRANTY COVERS	This warranty covers Sunbrella fabric only.
WHAT THIS WARRANTY DOES NOT COVER	This warranty does not cover normal care and cleaning; damage from misuse or abuse; improper installation; or costs associated with replacement of the fabric, including labor and installation.
LIMITS TO THE WARRANTY	Glen Raven's liability is expressly limited to this warranty. Glen Raven reserves the right to inspect the fabric submitted for claim.
WHAT WE WILL DO	Glen Raven will supply new equivalent fabric to replace the fabric that becomes unserviceable.
WHO TO CONTACT	Contact your Glen Raven sales or customer service representative for warranty claims.
WHO CONSUMERS SHOULD CONTACT	Sunbrella is normally a component of an end product such as an awning, umbrella or cushion. Consumers and end-users should contact the fabricator, dealer or retailer from whom you purchased the end product.
WARRANTY COVERAGE PERIOD	Performance improvements introduced November 1, 2008 allowed Glen Raven to increase the warranty period for Sunbrella fabrics. See below for details.

WARRANTY COVERAGE PERIOD

SUNBRELLA AWNING AND MARINE CANVAS

For installations prior to November 1, 2008, the warranty coverage period is five years from the original purchase date.

For installations on or after November 1, 2008, the warranty coverage period is ten years from the original purchase date. Glen Raven will provide replacement fabric at no cost during years one through eight; at the then-current selling price less a 30% discount during the ninth year; and less a 15% discount during the tenth year.

SUNBRELLA FURNITURE FABRICS AND ALL OTHER SUNBRELLA FABRICS

This coverage applies to all Sunbrella furniture fabrics, window treatment fabrics, and specialty fabrics such as Sunbrella Plus, Sunbrella Supreme, and Sunbrella View. The Sunbrella Graphics System is covered under a separate warranty.

For installations prior to November 1, 2008, the warranty coverage period is three years from the original purchase date.

For installations on or after November 1, 2008, the warranty coverage period is five years from the original purchase date.



Glen Raven Custom Fabrics, LLC
1831 North Park Avenue, Glen Raven, NC 27217 USA

t. 336.221.2211 / f. 336.586.1169

www.sunbrella.com



REVISED 1/18/10

SUNBRELLA® IS A REGISTERED TRADEMARK OF GLEN RAVEN, INC.



UPHOLSTERY AND DRAPERY

care and cleaning for Sunbrella and Sunbrella Shadow

One of the best ways to keep Sunbrella® fabrics looking good and to delay deep or vigorous cleaning is to properly maintain the fabrics. This can be accomplished by simply brushing off dirt before it becomes embedded in the fabrics, wiping up spills as soon as they occur or spot cleaning soon after stains occur.

General or light cleaning

- Brush off any loose dirt.
- Prepare a cleaning solution of 2 ounces (1/4 cup) mild detergent, such as Woolite or Dawn dishwashing liquid, per gallon of lukewarm water.
- Use a sponge or a soft bristle brush to clean.
- Allow cleaning solution to soak into fabric.
- Rinse thoroughly to remove all detergent residue.
- Allow fabric to air dry.

Spot cleaning

- Apply a light mist of mild detergent and water using a spray bottle.
- Work the solution into the stain by lightly scrubbing the area with a sponge or very soft bristle brush.
- Rinse thoroughly to remove all detergent residue.
- Blot excess moisture with a clean, soft towel or sponge.
- Wet-vacuum or blot excess water.
- Air dry, Repeat steps 3 and 4 until all soap residue is removed.

For removable Sunbrella fabric

Hand washing

- Soak fabric in a solution of 1/4 cup mild detergent per gallon of lukewarm water.
- Use a sponge or a soft bristle brush as necessary.
- Rinse thoroughly to remove all detergent residue.
- Air dry.

Machine washing

Machine wash in cold water. Depending on wash load size, use normal amounts of mild laundry detergent and add 8 ounces (1 cup) of bleach. Allow fabric to air dry.



Glen Raven Custom Fabrics, LLC
1831 North Park Avenue, Glen Raven, NC 27217 USA

t. 336.221.2211 / f. 336.586.1169

www.sunbrella.com



Heavy cleaning for stubborn stains and mildew

Sunbrella fabric does not promote mildew growth, however, mildew may grow on dirt and other foreign substances that are not removed from the fabric. To clean mildew, or other stubborn stains:

- Prepare a solution of 8 ounces (1 cup) of bleach and 2 ounces (1/4 cup) of mild detergent per gallon of clean water.
- Spray on entire area and allow to soak into the fabric for 15 minutes.
- Remove stain with a sponge, clean towel or very soft bristle brush.
- Rinse thoroughly to remove all detergent residue.
- Allow fabric to air dry.
- If stain and/or mildew are severe, bleach quantities may be increased. See our stain chart (on reverse side) for removal of specific stains.

Re-treating the fabric for ease of cleaning

As part of the finishing process, Sunbrella fabrics are treated with a fluorocarbon finish, which enhances water repellency. This finish is designed to last for several years, but must be replenished after a thorough cleaning. Based on test results, Glen Raven recommends 303 High Tech Fabric Guard™ as the preferred re-treatment product for Sunbrella fabrics. Fabrics should be re-treated after thorough cleaning or after five years of use.

For more information, visit www.303products.com.

Applying 303 High Tech Fabric Guard™

303 should be applied to Sunbrella fabrics after each thorough cleaning, which typically removes the original finish and reduces the fabric's water repellency.

- Clean Sunbrella fabric, using one of the cleaning methods.
- Allow Sunbrella to completely air dry.
- Apply 303 Fabric Guard in a well-ventilated area following instructions on the container.
- Apply 303 in a thin, even coat and allow fabric to dry completely.
- Apply a second thin, even coating of 303. (Two light coatings are more effective in restoring fabric water resistance than a single heavy coating.)
- A 15-ounce bottle provides coverage of up to 50 square feet of fabric.)

Professional cleaners

In evaluating the services of a professional firm, you should inquire about the firm's experience in working with Sunbrella fabrics and knowledge of cleaning and re-treatment requirements. **DO NOT** dry clean Sunbrella fabrics.

Helpful hints

Protect the area around your Sunbrella fabric when using a bleach solution – bleach may discolor non-Sunbrella fabrics. Always rinse Sunbrella thoroughly to completely remove bleach.

Please be aware of the environment when cleaning with bleach. Bleach can have harmful effects on the natural environment around you. We do not advise using bleach if you are surrounded by a body of water or other environment that could be affected.

Sunbrella air-dries very quickly. Machine drying is not necessary.

If fabric has some wrinkling, use an iron, if necessary, but only on the synthetic setting. As some irons exceed the recommended temperature on the synthetic setting, test a small inconspicuous area before ironing entire piece.

DO NOT use a steamer or iron set to steam setting.

REVISED 3/2/12

SUNBRELLA® IS A REGISTERED TRADEMARK OF GLEN RAVEN, INC.



BERLIN GARDENS

CLEANING INSTRUCTIONS FOR POLY FURNITURE

To maintain the beauty of your furniture, clean it regularly using **Berlin Gardens Xtreme Clean**, or any generic composite deck cleaner which can be bought at Lowes or Home Depot. When cleaning Regular Colors do not use any cleaning product that contains Bleach except on White poly. Apply cleaner and let set for 10 minutes, then use soft bristle brush or sponge to scrub poly furniture. When completed rinse clean with warm water. If necessary reapply cleaner let set for 10 minutes then clean using a 2400 PSI high pressure washer. Do not place tip of high pressure washer closer than 12" -16" from the poly furniture to avoid marring the texture of your poly.

When cleaning **WHITE** poly furniture, use **Berlin Gardens Mildew Stain Remover** which contains bleach, or use a mixture of 1/3 cup of Outdoor Clorox Bleach, to 2/3 cup of water. Apply this mixture or the cleaner and let set for 10 minutes, then use soft bristle brush or sponge to scrub poly furniture. When completed rinse clean with warm water. If necessary reapply cleaner let set for 10 minutes then clean using a 2400 PSI high pressure washer. Do not place tip of high pressure washer closer than 12" -16" from the poly furniture to avoid marring the texture of your poly.

CLEANING INSTRUCTIONS FOR BERLIN GARDENS CUSHIONS

When cleaning Berlin Gardens cushions use the **Berlin Gardens Heavy Duty Fabric Cleaner**. To clean the cushion spray evenly over the entire section of the cushion and let the cleaner penetrate for approximately 1 minute. Then with a sponge or a soft bristle brush, rub gently to lift the stain and then rinse the surface with water. Depending on the severity of the stain you may have to repeat these steps. It is recommended that you don't spot clean the cushion and rather choose to clean the entire surface.

Before applying the **Berlin Gardens Water Repel** make sure fabric is clean and dry. Wet the complete surface of the cushion and let dry for 6 hours before using. Do not fold or store treated until completely dry.



Proper Care & Maintenance for (HDPE) Poly Furniture

Poly furniture is made from High Density Polyethylene (HDPE), a recyclable plastic that will never need to be painted or stained. It will not rot or splinter, and it contains an added UV protective agent to resist fading. Poly furniture is not affected by most corrosive substances, and will not promote bacterial growth.

To maintain the beauty of your furniture, clean it regularly with soap and water. Use only nonabrasive soaps. While most colors need to be cleaned only several times per year using soap and water, certain colors such as White, (but not limited to this color) need to be cleaned frequently in order to maintain its original beauty. In extreme situations and with colors such as White, spray the furniture thoroughly with a nonabrasive cleaner then scrub the furniture using a soft bristle brush and rinse it off with warm clean water. If needed spray the furniture with nonabrasive cleaner and wash it using a high pressure washer. Do not place the tip of your pressure washer closer than 8"-12" from the furniture or it will tear into the material.

Do not place flower pots or any items on furniture that will leave stains. Do not place hot items directly onto furniture to avoid melting.

All fasteners on furniture manufactured by Berlin Gardens are stainless steel with most fasteners being *Allochromed Stainless Steel*. *Allochromed Stainless Steel* is a coated stainless steel and one of the most corrosive resistant fasteners on the market. However, in extreme conditions such as coastal areas, while *Allochrome Stainless Steel* will be less likely to rust, it is still recommended to regularly rinse it with fresh water to ensure the longevity of your furniture and fasteners.

If properly cared for, you will be able to relax in your fine piece of poly furniture for many years!

High Density Polyethylene (HDPE) Outdoor Furniture

Twenty (20) Year Limited Warranty (Residential)

Five (5) Year Limited Warranty (Commercial)

Berlin Gardens, LLC ("Berlin Gardens") warrants to the original purchaser that its HDPE outdoor furniture products will be free of original defects in workmanship and materials for a period of **twenty (20) years** of residential use or **five (5) years** of commercial use after the purchase date unless otherwise noted in the warranty. The warranty is effective starting on the date of purchase. At its option, Berlin Gardens will repair or replace this product without charge for materials and labor, providing our inspection indicates that an original defect exists. Should Berlin Gardens choose to replace the product, and the product is no longer available at the time warranty service is required, a substitution of similar performance and equal or greater value will be made. Polyethylene is a synthetic product and may scratch, will fade slightly when exposed to sunlight, or will stain after prolonged contact with other substances. Some expansion and contraction is to be expected during changes in humidity and temperature. The foregoing shall not be considered defects in materials or workmanship and are not covered under this warranty. Stainless steel fasteners are warranted not to fail structurally for the applicable warranty period. Stainless steel may rust in certain conditions (such as coastal areas) if not maintained. This warranty does not cover rusting fasteners or structural failure due to rusting fasteners, damage caused by unauthorized service or repair, alteration of this product, **abuse or misuse**, normal wear and tear on materials, or any attempt to use the product in a manner or for a purpose other than for which it is customarily intended. This warranty also does not cover scratching or chipping of polyethylene; however, this warranty shall not limit any warranties made by the manufacturer for such items, which such manufacturer warranties may extend to you.

Folding Chairs and Folding Accessories are warranted to free of original defects in workmanship and material for a period of **ten (10) years** of residential use or **two (2) years** of commercial use after the purchase date.

PAX Tables, Chairs and Bench aluminum frames are warranted not to fail structurally for **ten (10) years** of residential use and **two (2) years** of commercial use after the purchase date.

Powder Coating on PAX furniture and all other powder coated components on Berlin Gardens Furniture is warranted for **two (2) years** against peeling, cracking or blistering after the purchase date. This does not include failure of the powder coat finish due to abrasion, including but not limited to abrasion caused by stacking/leaning/moving the furniture against other furniture/items or scraping against other surfaces.

Swivels, Arbors and A-Frames are warranted not to fail structurally for **five (5) years** of residential use or **two (2) years** of commercial use after the purchase date.

Umbrellas are warranted for 1 year on original workmanship of frame and cover and not warranted for commercial use. **Steel Umbrella Bases** are warranted for 1 year of residential use. Commercial use and rusting are not covered by this warranty.

Cushions are warranted to be free of original defects in workmanship and material for a period of **one (1) year** of residential use after the purchase date and are not warranted for commercial use. Compression of cushions shall not be considered a defect in materials and workmanship and are not covered under this warranty.

Berlin Gardens makes no warranties other than those which are specifically described herein. Berlin Gardens makes no implied warranty of merchantability or implied warranty of fitness for a particular purpose. Some states do not allow limitations of implied warranty so this limitation may not apply to you. In that event, any such implied warranty is limited to that required by law. Berlin Gardens shall not be liable for incidental or consequential damages, including, but not limited to, lost profits or other economic or commercial losses. The sole remedy provided in this warranty is repair or replacement of this product. Any cost of shipping and handling shall be paid by you. Claims for original defects in workmanship or materials shall be made in writing to Berlin Gardens no later than ten (10) days after the expiration of the warranty period at the following address:

Berlin Gardens LLC
P.O. Box 446
Berlin, Ohio 44610
Phone: 800-593-3411
Email: customerservice@berlingardensllc.com

You must explain the nature of the original defect and include your name, address and telephone number. In the event of a non-warranty repair, you will receive a written estimate prior to any repair work being performed. This warranty gives you specific legal rights and you may have other rights which vary from state to state. As defined by federal law, this is a limited warranty.

Sales by an unauthorized Berlin Gardens Dealer voids this warranty entirely.

Revised 8/14/2017



Outdoor Fire Pits Proper Care & Maintenance

Poly Material: Poly Fire Pits are made from High Density Polyethylene (HDPE), a recyclable plastic that will never need to be painted or stained. It will not rot or splinter, and it contains an added UV protective agent to resist fading. Poly material is not affected by most corrosive substances and will not promote bacterial growth.

Cleaning: To maintain the beauty of your Poly Fire Pit, clean it regularly with soap and water. Use only nonabrasive soaps. While most colors need to be cleaned only several times per year, certain colors such as White, (but not limited to this color) need to be cleaned frequently in order to maintain its original beauty. In extreme situations and with colors such as White, spray the material thoroughly with a nonabrasive cleaner than scrub using a soft bristle brush and rinse it off with warm clean water. If needed spray the Poly Fire Pit with a nonabrasive cleaner and wash it using a high-pressure washer. Do not place the tip of your pressure washer closer than 12", or it will tear into the poly material. Your pressure washer should not exceed 2,800 PSI.

Melting and Stains: A Glass Wind Guard must be installed on Fire Pits with Poly Tops at all times to keep flames from touching the material and avoid melting. Lighting or burning a fire pit without the glass wind guard installed may result in melting of the poly material and voids the warranty. If any colored liquids such as wine, or soft drinks are spilled on your top, clean immediately to avoid possible stains. Do not place flowerpots or any items that will leave stains on fire pit. Do not place hot items directly on the top to avoid melting.

Stainless Steel Components: Stainless Steel Heat Barrier used on Poly Tops to distance flames and heat from the material are 304 grade stainless steel and may rust in normal outdoor conditions and/or coastal areas. In extreme conditions such as coastal areas, it is recommended to regularly rinse Stainless Steel Components with fresh water to help prevent rusting. When not in use, covering your fire pit with a waterproof fire pit cover is recommended to minimize the chances of rust.

Burner: See page eight (8) of the Crystal Fire Manual included with the Burner. Carefully read and follow all warnings and instructions regarding use, service and maintenance.



OUTDOOR FIRE PIT WARRANTY

Berlin Gardens, LLC ("Berlin Gardens") extends the following warranty to the original purchaser of its outdoor fire pit. This warranty applies only to the original owner of the Product and is non-transferable. The warranty is effective starting on the date of purchase.

Polyethylene Fire Pits with a Polyethylene Top are warranted to be free of original defects in workmanship and materials for a period of **ten (10) years** of residential use or **two (2) years** of commercial use. A glass wind guard must be installed on Fire Pits with Polyethylene Tops at all times to keep flames from touching the material and avoid melting. Lighting or burning a fire pit without the glass wind guard installed may result in melting of the polyethylene material and voids this warranty. Polyethylene is a synthetic product and may scratch or fade slightly when exposed to sunlight or stain after prolonged contact with other substances. Some expansion and contraction is to be expected due to extreme changes in humidity and temperature. This warranty also does not cover scratching or chipping of polyethylene, however, this warranty shall not limit any warranties made by the manufacturer for such items which may extend to you. **Stainless Steel Heat Barrier** used on Polyethylene Tops to distance flames and heat from the Polyethylene material are 304 grade stainless steel and may rust in normal outdoor conditions and/or coastal areas. Rusting that does not affect the structural integrity of the Stainless Steel Heat Barrier is not covered by this warranty. When not in use, covering a fire pit with a waterproof fire pit cover is recommended and may minimize but not eliminate the possibility of rust.

At its option, Berlin Gardens will repair or replace these products without charge for materials and labor, providing our inspection indicates that an original defect exists. Should Berlin Gardens choose to replace the product, and the product is no longer available at the time the warranty service is required, a substitution of similar performance and equal or greater value will be made. The foregoing shall not be considered defects in materials or workmanship and are not covered under this warranty. Stainless steelfasteners are warranted not to fail structurally for the applicable warranty period. Stainless steel may rust in certain extremeconditions (such as coastal areas) if not maintained. This warranty does not cover rusting fasteners or structural failure due torusting fasteners, damage caused by unauthorized service or repair, alteration of this product, **abuse or misuse**, normal wear andtear on materials, or any attempt to use the product in a manner or for a purpose other than for which it is customarily intended.

Stainless Steel Burners, Intrigue Fire Feature and all part and components for burners are provided by "The Outdoor GreatRoom Company". The Outdoor GreatRoom Company warrants this Outdoor GreatRoom Product will be free from defects in material and workmanship for a period of **one (1) year**. Stainless Steel parts and assemblies carry a limited lifetime warranty. Slight rusting on burners and components of the burners are not covered by this warranty. This warranty is subject to the conditions, exclusions andlimitations described in the "THE OUTDOOR GREATROOM COMPANY OUTDOOR PRODUCTS LIMITED WARRANTY" found onpage 18 of the Crystal Fire instruction manual included with a fire pit burner. Warranty claims for Stainless Steel Burners maybe made to Berlin Gardens and Authorized Berlin Gardens Dealers but will be processed by the Outdoor GreatRoom Company and be handled according to The Outdoor GreatRoom Company Warranty.

Glass Wind Guards, Glass Fire Gems, Fire Pit Covers and other Fire Pit Accessories are not covered in any way by this warranty.

Berlin Gardens makes no warranties other than those which are specifically described herein. Berlin Gardens makes no implied warranty of merchantability or implied warranty of fitness for a particular purpose. Some states do not allow limitations of implied warranty so this limitation may not apply to you. In that event, any such implied warranty is limited to that required by law. Berlin Gardens shall not be liable for incidental or consequential damages, including, but not limited to, lost profits or other economic or commercial losses. The sole remedy provided in this warranty is repair or replacement of this product. Any cost of shipping and handling shall be paid by you. Claims for original defects in workmanship or materials shall be made in writing to Berlin Gardens no later than ten (10) days after the expiration of the warranty period at the following address:

Berlin Gardens, LLC
 P.O. Box 446
 Berlin, Ohio 44610
 Phone: (800) 593-3411
 Email: customerservice@berlingardensllc.com

Your claim must include a picture and an explanation of the original defect, and include your name, address and telephone number. In the event of a non-warranty repair, you will receive a written estimate prior to any repair work being performed. This warranty gives you specific legal rights and you may have other rights which vary from state to state. As defined by federal law, this is a limited warranty.

The logo for Berlin Gardens is a dark gray square with the words "BERLIN" and "GARDENS" stacked vertically in a white, serif, all-caps font.

BERLIN
GARDENS

Mailing Address:

PO Box 446
Berlin OH 44610

Shipping Address:

5029 Township Hwy 359
Millersburg OH 44654

Phone: 1-800-593-3411 or 330-893-3411

Fax: 330-893-2698

General e-mail: customerservice@berlingardensllc.com