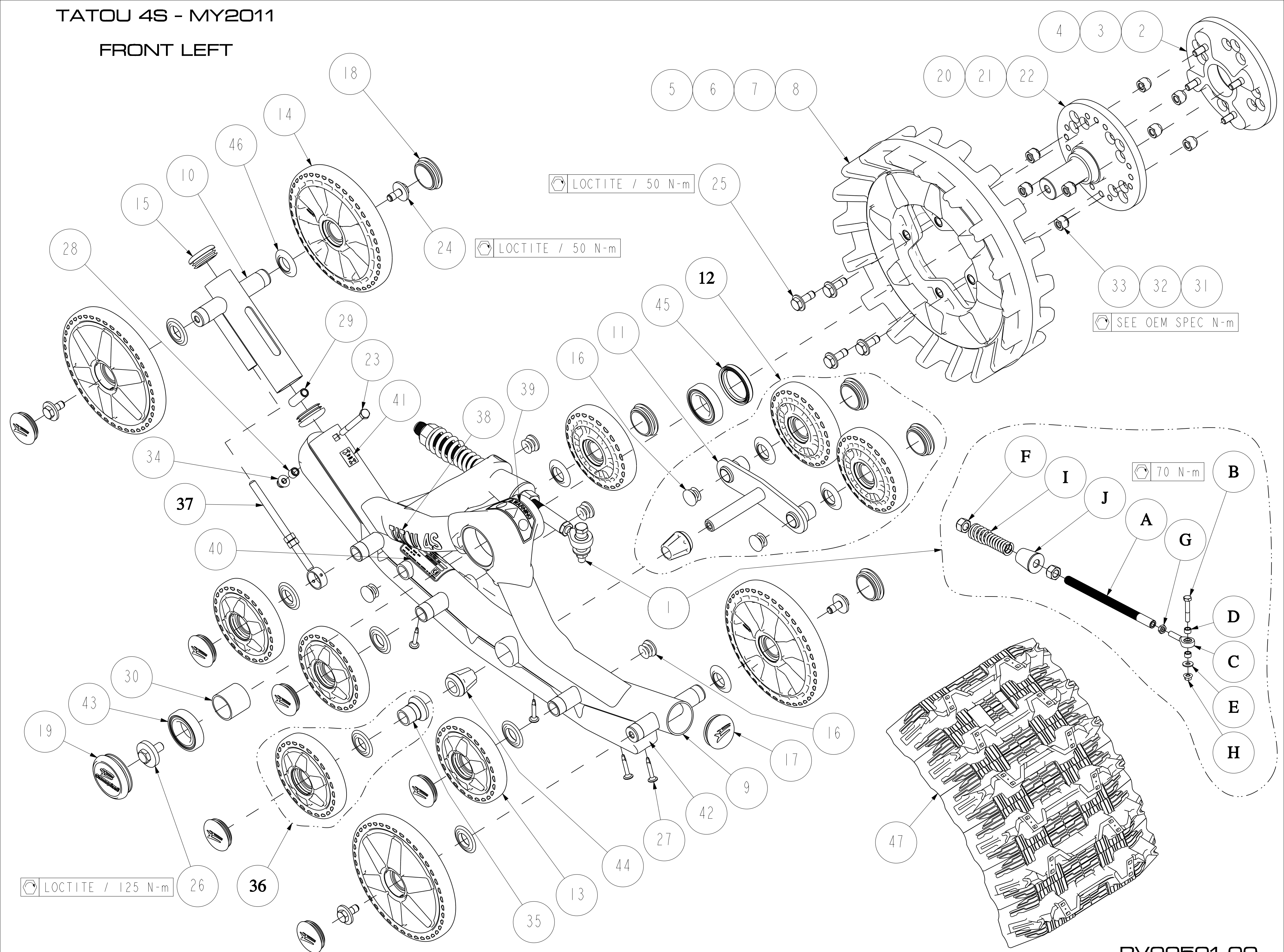


FRONT LEFT



LOCTITE / 125 N-m

LOCTITE / 50 N-m

LOCTITE / 50 N-m

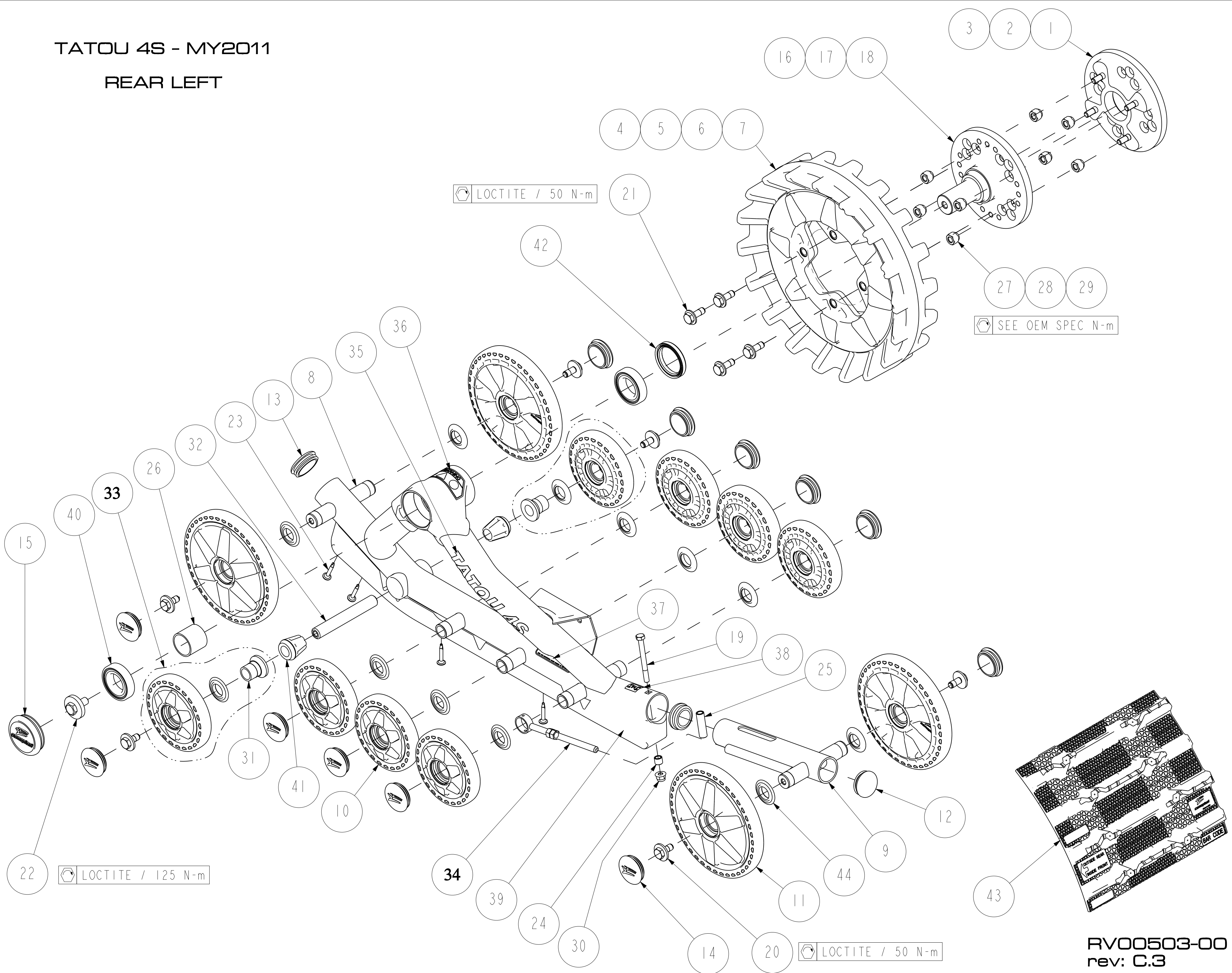
SEE OEM SPEC N-m

70 N-m

Item #	# Pièce/ Part	Description	QTY
		TATOU 4S - MY2011	
		FRONT LEFT & RIGHT	
1	1001-00-7102	STABILIZING ROD ASS'Y, 200 LBS/IN	1
2	1008-77-0010	MULTI HUB SPACER 1-1/8" ASS'Y (METRIC)	1
3	1008-77-0020	MULTI HUB SPACER 2" ASS'Y (METRIC)	1
4	1008-77-0040	MULTI HUB SPACER 4" ASS'Y (METRIC)	1
5	1009-00-7115	INJ SPROCKET, 15 TEETH	1
6	1009-00-7116	INJ SPROCKET, 16 TEETH	1
7	1009-00-7117	INJ SPROCKET, 17 TEETH	1
8	1009-00-7118	INJ SPROCKET, 18 TEETH	1
9-A	1010-00-722X	RH FRONT FRAME - TATOU 4S	1
9-B	1011-00-722X	LH FRONT FRAME - TATOU 4S	1
10	1014-00-722X	TRACK TENSIONNER	1
11	1015-00-7010	STABILIZER ASS'Y	1
12	1015-00-7103	STABILIZER W/ WHEELS ASS'Y	1
13	1016-00-0133	133 mm INJECTION ATV WHEEL ASS'Y	7
14	1016-00-0201	201 mm INJECTION ATV WHEEL ASS'Y	4
15	1017-00-0001	2 LIPS CAP, 1-3/4" O.D. TUBE	2
16	1017-00-0005	2 LIPS CAP, 1" O.D. TUBE	6
17	1017-00-0010	2 LIPS CAP, 2" O.D. TUBE (LDPE)	1
18	1017-00-0110	2 LIPS CAP, 2" O.D. TUBE (ESPRENE)	11
19	1017-00-7011	HUB CAP (HOT STAMPED) ASS'Y	1
20	1019-05-0010	POLARIS HUB (METRIC), ASS'Y	1
21	1019-77-0011	ATV MULTI-MODEL HUB (METRIC), ASS'Y	1
22	1019-77-0031	UTV MULTI-MODEL HUB (METRIC), ASSY	1
23	1033-08-0080	HEX SCR ,DIN 931, 8.8, YNZ / M8x1.25x80	1
24	1033-10-2026	HEX SCR W/WASH 30x3, 8.8, YZN, TL 9S-1026 / M10x1.5x25	5
25	1033-10-2030	HEX SCR W/WASH 25x2, 8.8, YZN, TL 9S-1026 / M10x1.5x30	4
26	1033-12-7030	HEX SCR W/ WASH 40x7, 10.9, YZN / M12x1.75x30	1
27	1049-00-0007	SELF TAPPING SCREW, YNZ / #12-24x1.5"	4
28	1050-00-0016	SLIDE BUSHING	1
29	1051-00-0015	TENSIONNER BUSHING	1
30	1051-00-0037	INTERNAL SPACER	1
31	1071-00-0001	HEX NUT TAPER, 8, YZN / M10x1.25	VAR
32	1072-00-0002	FLANGE LOCKNUT 3/8-24	VAR
33	1072-10-3001	HEX FLANGE SERRATED NUT, 8, YZN / M10x1.25	VAR
34	1074-08-0001	HEX FLANGE NYLON INSERT, 8, YZN / M8x1.25	1
35	1082-00-7001	WHEEL AXLE, STABILIZER	1
36	1082-00-7030	WHEEL AXLE / WHEELS ASS'Y	1
37	1082-00-7050	TENSIONNER ROD / HEX NUT ASS'Y	1
38	1083-00-7010	STICKER - TATOU 4S DECAL	1
39	1083-00-8002	STICKER - WARNING	1
40	-	STICKER - SERIAL NUMBER TATOU 4S	1
41-A	1083-00-8100	STICKER - FRONT LEFT PICTOGRAM	1
41-B	1083-00-8110	STICKER - FRONT RIGHT PICTOGRAM	1
42	1085-00-7010	TRACK GUIDE - TATOU 4S	1
43	1090-00-0001	6007 DU2 BALL BEARING, SEALED	2
44	1093-00-7000	RUBBER CONE, STABILIZER	2
45	1093-00-7002	SHAFT SEAL 50 x 62 x 10 TC	1
46	1093-00-7009	WHEEL SEAL (25 ID X 42 OD)	11
47	1093-00-7600	TRACK 11.5" x 93.38" x 1.00" (9150S)	1
A	1000-00-7002	THREADED ROD, STABILIZING ROD	1
B	1033-10-1060	HEX SCR, ISO 4014 (DIN 931), 10.9, YZN / M10x1.5x60	1
C	1047-00-7010	ROD END, STABILIZING ROD	1
D	1050-00-0013	ROD END SPACER	2
E	1060-00-0004	WASHER 3/8" GRADE 8 YELLOW ZINC PLATED	1
F	1071-20-0001	HEX NYLON INSERT, ISO 7040 (DIN 982), 8, YZN / M20x2.5	2
G	1073-12-3002	HEX THIN NUT, ISO 4035 (DIN 439), 8, YZN / M12x1.25	1
H	1074-10-0001	HEX FLANGE NYLON INSERT, ISO 4161 (DIN 6923), 8, YZN / M10x1.5	1
I	1080-00-0002	200 LBS/IN COMPRESSION SPRING	1
J	1093-00-7007	RUBBER DAMPER	1

TATOU 4S - MY2011

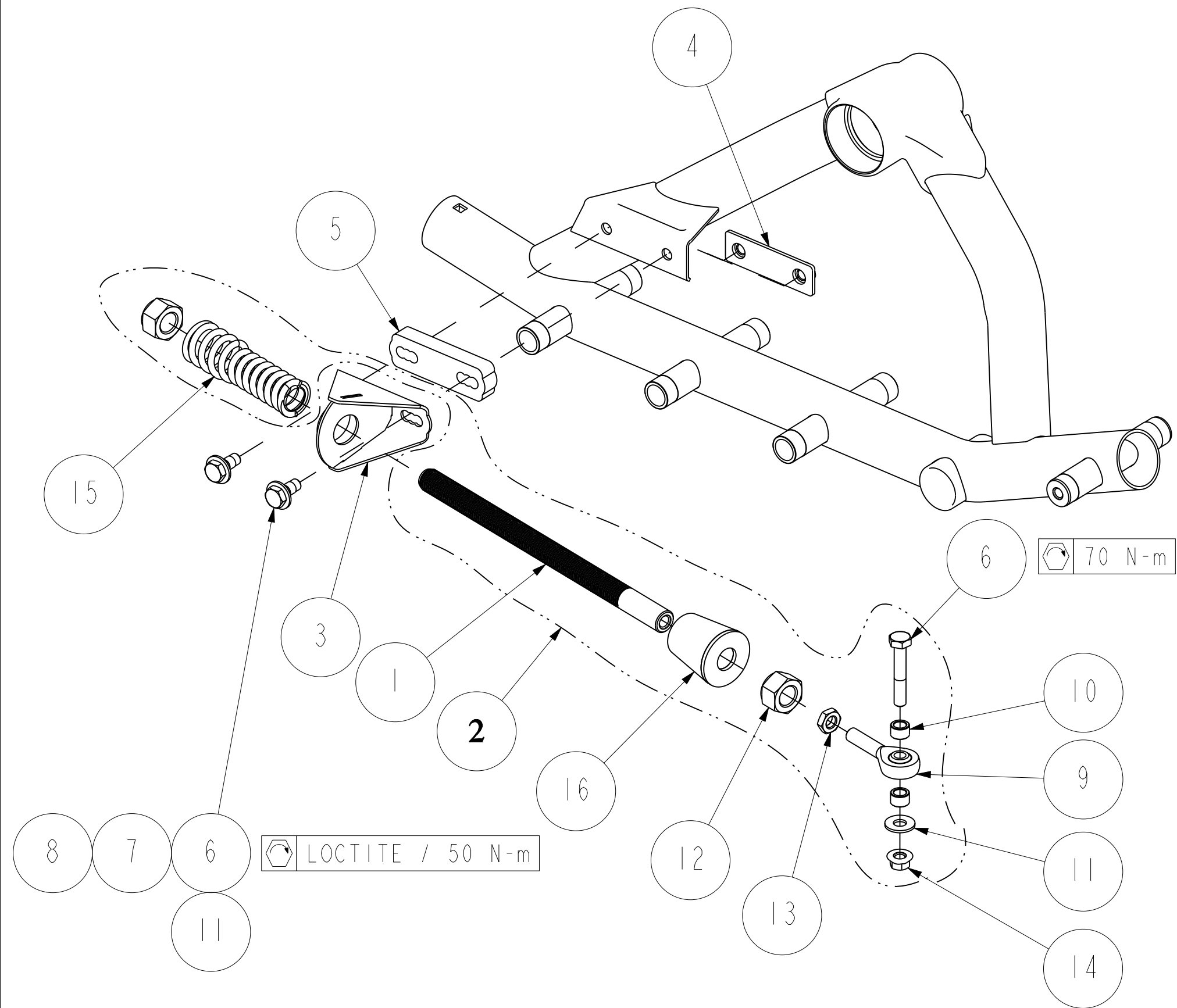
REAR LEFT



Item #	# Pièce/ Part	Description	QTY
		TATOU 4S - MY2011	
		REAR LEFT & RIGHT	
1	1008-77-0010	MULTI HUB SPACER 1-1/8" ASS'Y (METRIC)	1
2	1008-77-0020	MULTI HUB SPACER 2" ASS'Y (METRIC)	1
3	1008-77-0040	MULTI HUB SPACER 4" ASS'Y (METRIC)	1
4	1009-00-7115	INJ SPROCKET, 15 TEETH	1
5	1009-00-7116	INJ SPROCKET, 16 TEETH	1
6	1009-00-7117	INJ SPROCKET, 17 TEETH	1
7	1009-00-7118	INJ SPROCKET, 18 TEETH	1
8-A	1012-00-722X	RH REAR FRAME - TATOU 4S	1
8-B	1013-00-722X	LH REAR FRAME - TATOU 4S	1
9	1014-00-732X	LONG TRACK TENSIONNER	1
10	1016-00-0133	133mm INJECTION ATV WHEEL ASS'Y	8
11	1016-00-0201	201mm INJECTION ATV WHEEL ASS'Y	4
12	1017-00-0001	2 LIPS CAP, 1-3/4" O.D. TUBE	2
13	1017-00-0010	2 LIPS CAP, 2" O.D. TUBE (LDPE)	1
14	1017-00-0110	2 LIPS CAP, 2" O.D. TUBE (ESPRENE)	12
15	1017-00-7011	HUB CAP (HOT STAMPED) ASS'Y	1
16	1019-05-0010	POLARIS HUB (METRIC), ASS'Y	1
17	1019-77-0011	ATV MULTI-MODEL HUB (METRIC), ASS'Y	1
18	1019-77-0031	UTV MULTI-MODEL HUB (METRIC), ASSY	1
19	1033-08-0080	HEX SCR ,DIN 931, 8.8, YNZ / M8x1.25x80	1
20	1033-10-2026	HEX SCR W/WASH 30x3, 8.8, YZN, TL 9S-1026 / M10x1.5x25	6
21	1033-10-2030	HEX SCR W/WASH 25x2, 8.8, YZN, TL 9S-1026 / M10x1.5x30	4
22	1033-12-7030	HEX SCR W/ WASH 40x7, 10.9, YZN / M12x1.75x30	1
23	1049-00-0007	SELF TAPPING SCREW, YNZ / #12-24x1.5"	4
24	1050-00-0016	SLIDE BUSHING	1
25	1051-00-0015	TENSIONNER BUSHING	1
26	1051-00-0037	INTERNAL SPACER	1
27	1071-00-0001	HEX NUT TAPER, 8, YZN / M10x1.25	VAR
28	1072-00-0002	FLANGE LOCKNUT 3/8-24	VAR
29	1072-10-3001	HEX FLANGE SERRATED NUT, 8, YZN / M10x1.25	VAR
30	1074-08-0001	HEX FLANGE NYLON INSERT, 8, YZN / M8x1.25	1
31	1082-00-7001	WHEEL AXLE, STABILIZER	2
32	1082-00-7012	AXLE, REAR STABILIZER	1
33	1082-00-7030	WHEEL AXLE / WHEELS ASS'Y	2
34	1082-00-7050	TENSIONNER ROD / HEX NUT ASS'Y	1
35	1083-00-7010	STICKER - TATOU 4S DECAL	1
36	1083-00-8002	STICKER - WARNING	1
37	-	STICKER - SERIAL NUMBER TATOU 4S	1
38-A	1083-00-8120	STICKER - REAR LEFT PICTOGRAM	1
38-B	1083-00-8130	STICKER - REAR RIGHT PICTOGRAM	1
39	1085-00-7010	TRACK GUIDE - TATOU 4S	1
40	1090-00-0001	6007 DU2 BALL BEARING, SEALED	2
41	1093-00-7000	RUBBER CONE, STABILIZER	2
42	1093-00-7002	SHAFT SEAL 50 x 62 x 10 TC	1
43	1093-00-7006	TRACK 12.5" x 98.57" x 1.188" (9100S)	1
44	1093-00-7009	WHEEL SEAL (25 ID X 42 OD)	12
		2010-06-30 / rev C	

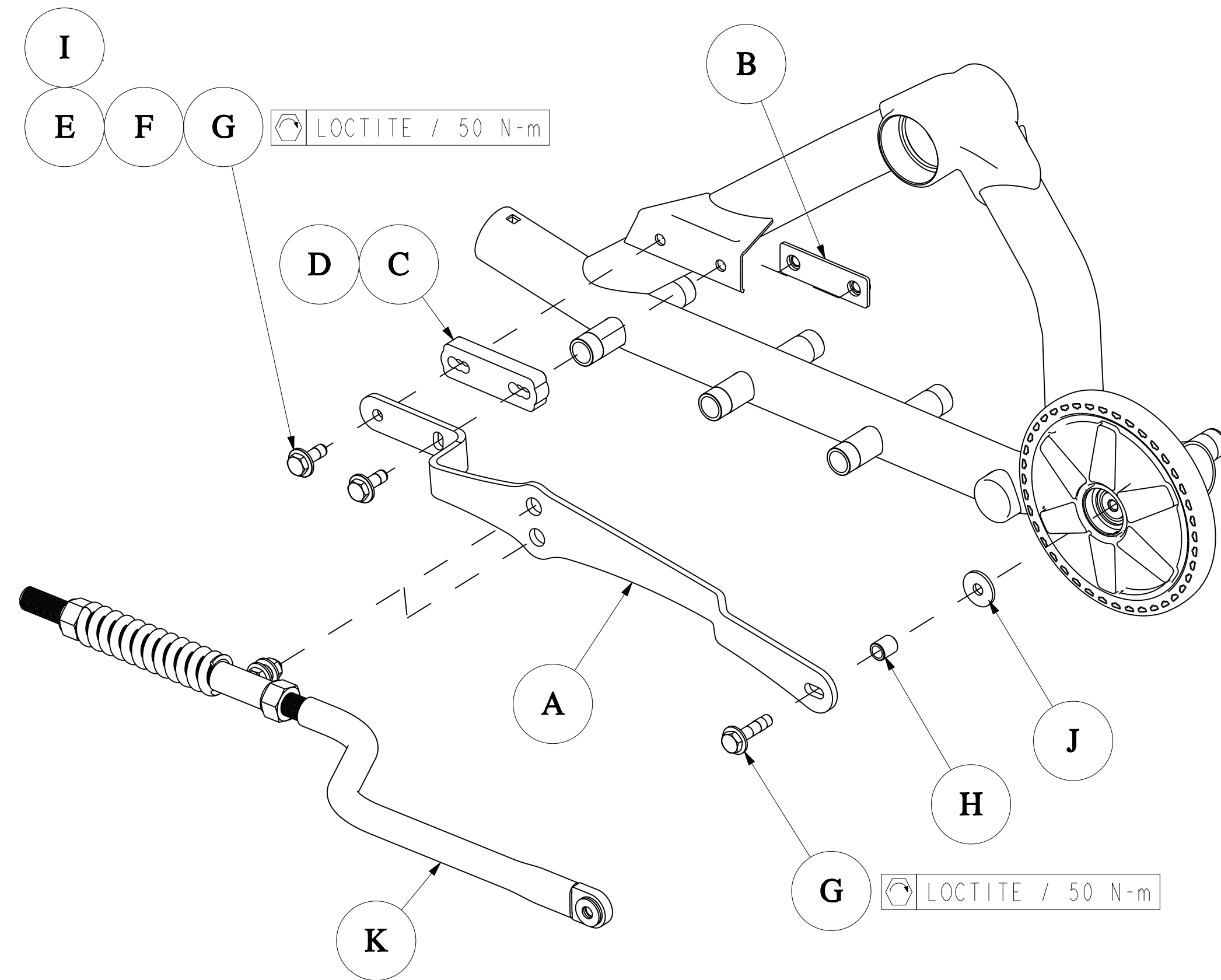
TATOU 4S - MY2011

INDEPENDENT SUSPENSION [IS] OPTION



TATOU 4S - MY2011

RIGID AXLE SUSPENSION [RS] OPTION



Item #	# Pièce/ Part	Description	QTY
		TATOU 4S - MY2011	
		INDEPENDENT SUSPENSION (IS) OPTION	
1	1000-00-7002	THREADED ROD, STABILIZING ROD	1
2	1001-00-7102	STABILIZING ROD ASS'Y, 200 LBS/IN	1
3	1015-00-7005	BRACKET ANTI-ROTATION (IS)	1
4	1015-00-7026	BACK PLATE	1
5	1015-05-7005	SPACER 5/8", ANTI-ROTATION BRACKET	VAR
6	1033-10-1060	HEX SCR, ISO 4014 (DIN 931), 10.9,YZN / M10x1.5x60	VAR
7	1033-10-2025	HEX SCR W/WASH 25x2, 8.8, YZN, TL 9S-1026 / M10x1.5x25	2
8	1033-10-2045	HEX SCR W/WASH 25x2, 8.8, YZN, TL 9S-1026 / M10x1.5x45	2
9	1047-00-7010	ROD END, STABILIZING ROD	1
10	1050-00-0013	ROD END SPACER	2
11	1060-00-0004	WASHER 3/8" GRADE 8 YELLOW ZINC PLATED	VAR
12	1071-20-0001	HEX NYLON INSERT, ISO 7040 (DIN 982), 8, YZN / M20x2.5	2
13	1073-12-3002	HEX THIN NUT, ISO 4035 (DIN 439), 8, YZN / M12x1.25	1
14	1074-10-0001	HEX FLANGE NYLON INSERT, ISO 4161 (DIN 6923), 8, YZN / M10x1.5	1
15	1080-00-0002	200 LBS/IN COMPRESSION SPRING	1
16	1093-00-7007	RUBBER DAMPER	1
			2010-06-30 / rev C
		TATOU 4S - MY2011	
		RIGID AXLE SUSPENSION (RS) OPTION	
A-1	1015-00-7004	LH, BRACKET ANTI-ROTATION (RS)	1
A-2	1015-00-7014	RH, BRACKET ANTI-ROTATION (RS)	1
B	1015-00-7026	BACK PLATE	1
C	1015-05-7002	SPACER 1/4", ANTI-ROTATION (RS)	1
D	1015-05-7005	SPACER 5/8", ANTI-ROTATION BRACKET	VAR
E	1033-10-1060	HEX SCR, ISO 4014 (DIN 931), 10.9,YZN / M10x1.5x60	2
F	1033-10-2030	HEX SCR W/WASH 25x2, 8.8, YZN, TL 9S-1026 / M10x1.5x30	2
G	1033-10-2045	HEX SCR W/WASH 25x2, 8.8, YZN, TL 9S-1026 / M10x1.5x45	VAR
H	1050-00-0011	BUSHING 5/8" O.D. x 27/32" I.D. x 0.709" LG	1
I	1060-00-0004	WASHER 3/8" GRADE 8 YELLOW ZINC PLATED	2
J	1060-38-0114	WASHER 3/8" x 1-1/4" ZINC PLATED	1
K	VAR	REFER TO INSTALLATION GUIDE LINES DOCUMENTATION	1
			2010-06-30 / rev C