




SPARE - PARTS CATALOGUE

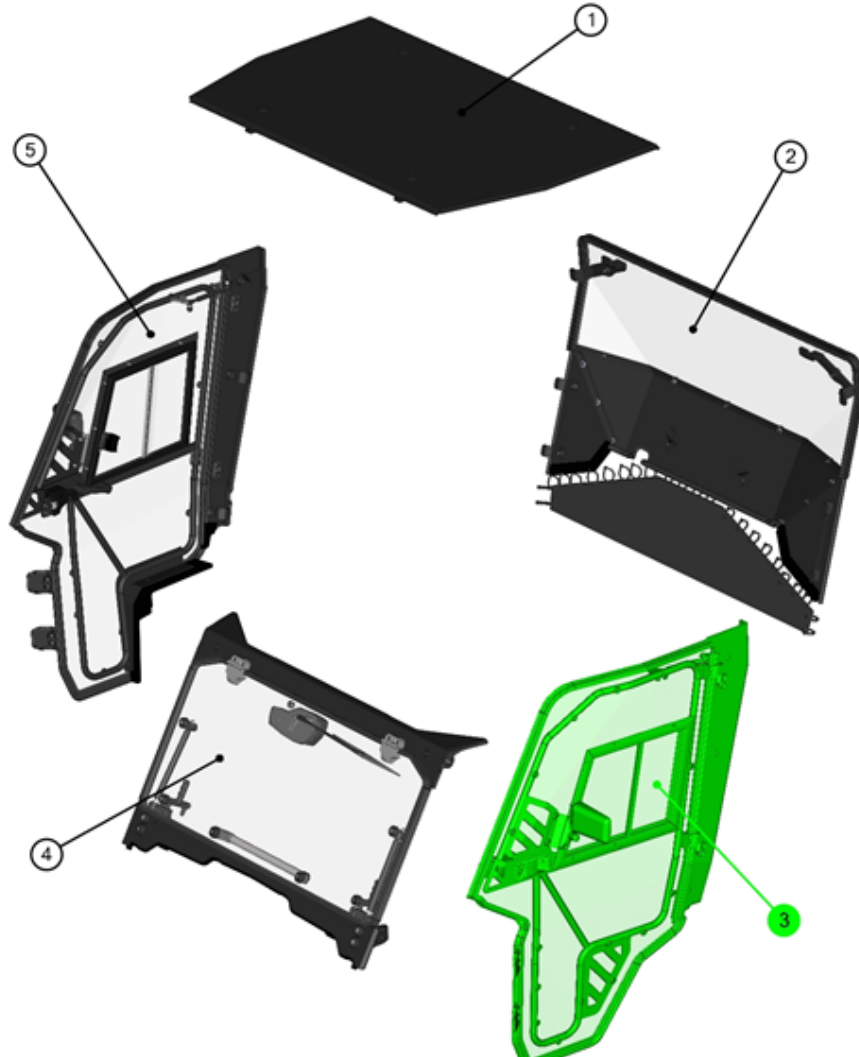
MECHRON

2450

1. Select the panel that interests you and go to the appropriate page catalog.



HONDA
PIONEER 1000



ID	Catalogue no.	Description	Qty	Page
1	XXSXXUXXSXX	ROOF PANEL	1	19
2	XXSXXUXXSXX	REAR PANEL	1	22
3	XXSXXUXXSXX	LEFT DOOR	1	32
4	XXSXXUXXSXX	FRONT PANEL	1	7
5	XXSXXUXXSXX	RIGHT DOOR	1	46

DFK Cab, s.r.o.
Za Olšávkou 391, Uherské Hradiště 686 01
Czech republic

Tel: +420 572 520 061,3
Fax: +420 572 520 071
E-mail: dfk@dfk.cz

www.dfk.cz
www.forkliftcabs.eu
www.forkliftcabins.com

5

2

DFK HONDA PIONEER 1000

LEFT DOOR ASSEMBLIES

ID	Catalogue no.	Description	Qty
1	XXSXXUXX-XXMXXX	LEFT DOOR ASSEMBLY	1
2	XXSXXUXX-XXMXXX	GAS SPRING ASSEMBLY	1
3	XXSXXUXX-XXMXXX	LEFT DOOR BASE ASSEMBLY	1
4	XXSXXUXX-XXMXXX	HINGE SPACE COVER	2
5	XXSXXUXX-XXMXXX	DOOR STOP ASSEMBLY	1

DFK Cab, s.r.o. Tel: +420 572 520 061,3 www.dfk.cz
 Za Olšavkou 391, Uherské Hradiště 686 01 Fax: +420 572 520 071 www.forkliftcabs.eu
 Czech republic E-mail: dfk@dfk.cz www.forkliftcabs.com

2. Select the name of assembly that interests you (box description).

ID	Catalogue no.	Description	Qty
1	XXSXXUXX-XXMXXX	LEFT DOOR ASSEMBLY	1
2	XXSXXUXX-XXMXXX	GAS SPRING ASSEMBLY	1
3	XXSXXUXX-XXMXXX	LEFT DOOR BASE ASSEMBLY	1
4	XXSXXUXX-XXMXXX	HINGE SPACE COVER	2
5	XXSXXUXX-XXMXXX	DOOR STOP ASSEMBLY	1

Tel: +420 572 520 061,3
 Hradiště 686 01 Fax: +420 572 520 071
 E-mail: dfk@dfk.cz

3. Find the page with the same headline like the name of selected items.

LEFT DOOR BASE ASSEMBLY

DFK HONDA PIONEER 1000

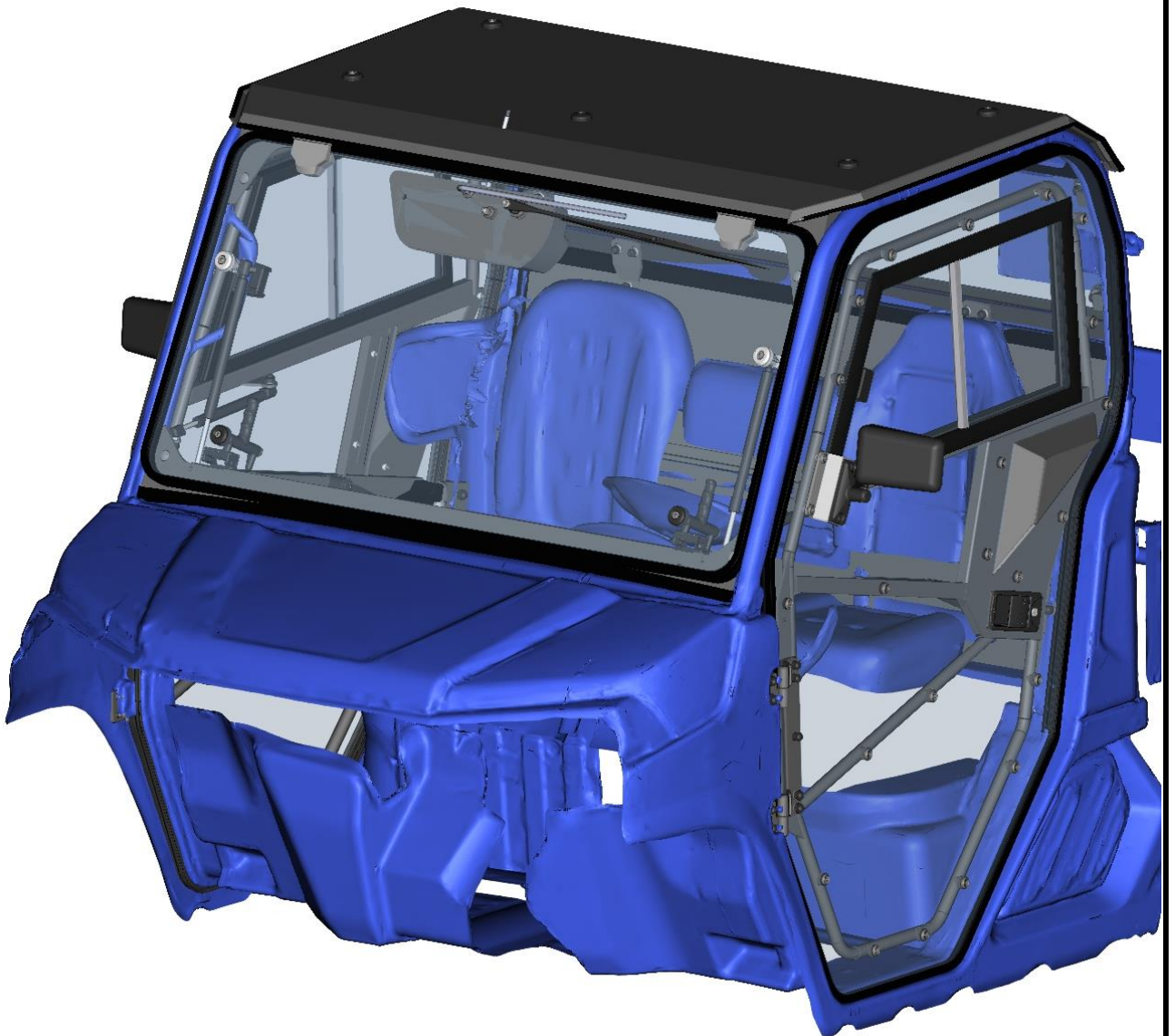
LEFT DOOR BASE ASSEMBLY

ID	Catalogue no.	Description	Qty
1	50S02U02-40M011	LEFT DOOR BASE	1
2	50S02U02-40M003	LEFT DOOR BASE HINGE	2
3	50S02U02-40M006	DOOR BASE HOLDER	3

DFK Cab, s.r.o. Tel: +420 572 520 061,3 www.dfk.cz
 Za Olšavkou 391, Uherské Hradiště 686 01 Fax: +420 572 520 071 www.forkliftcabs.eu
 Czech republic E-mail: dfk@dfk.cz www.forkliftcabs.com

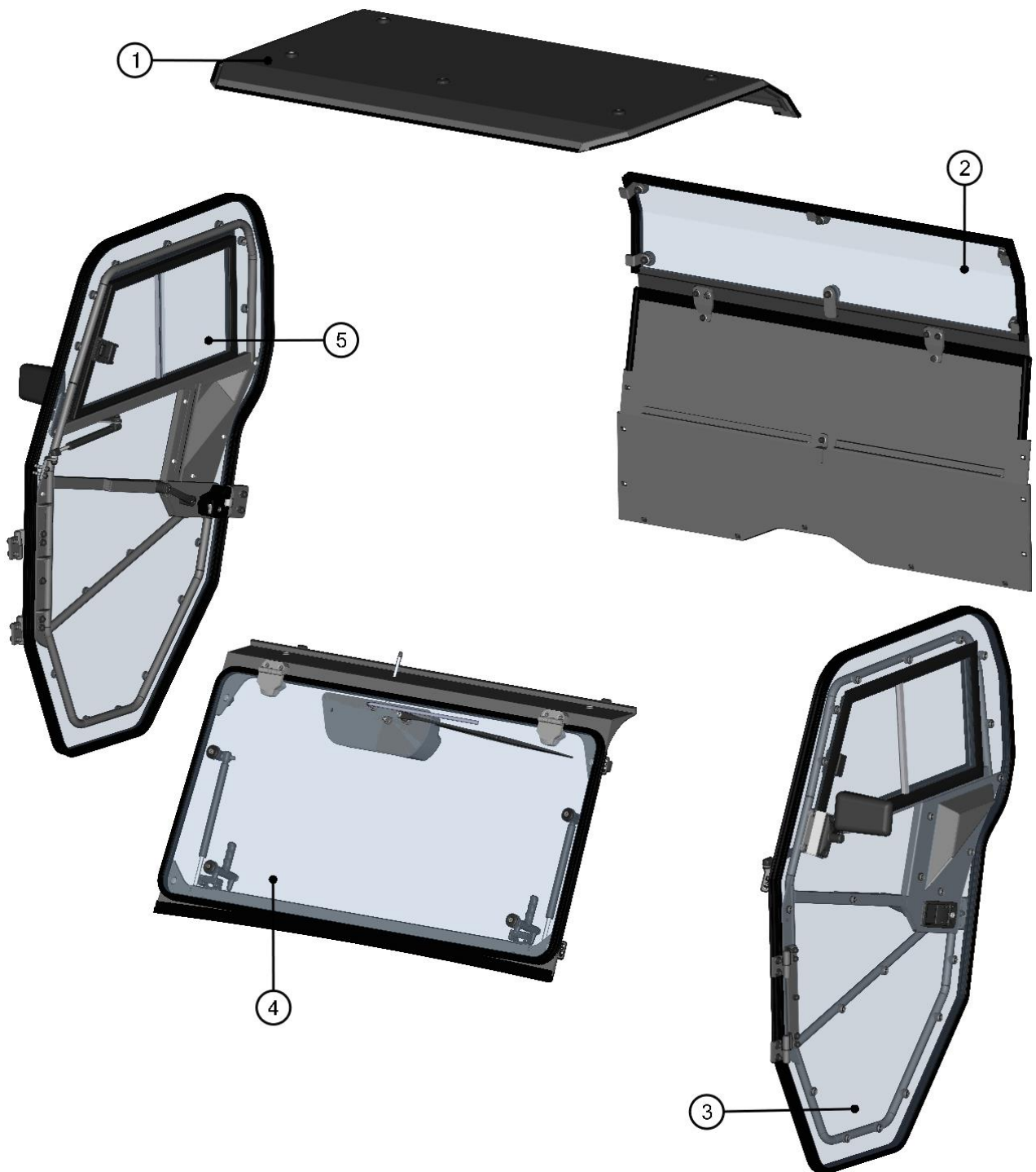
4. Repeat the previous steps to find required part.

5. If you wish to order something please send us relevant Catalogue no. + Description

CAB PREVIEW

4

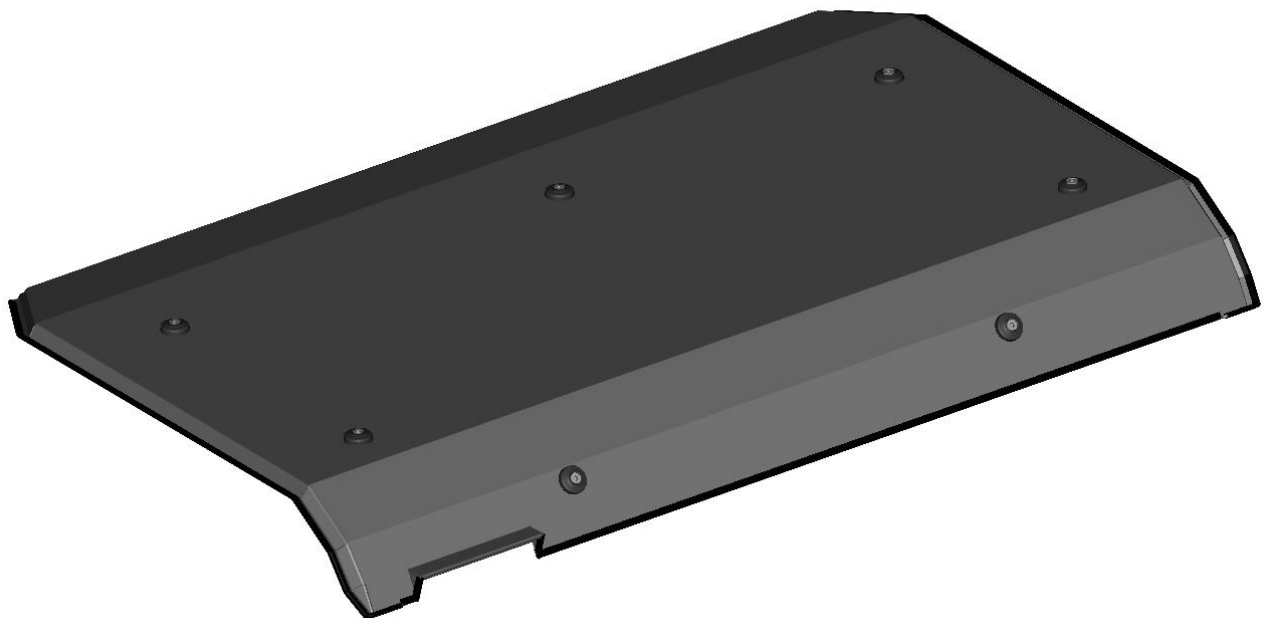
ALL PANELS



5

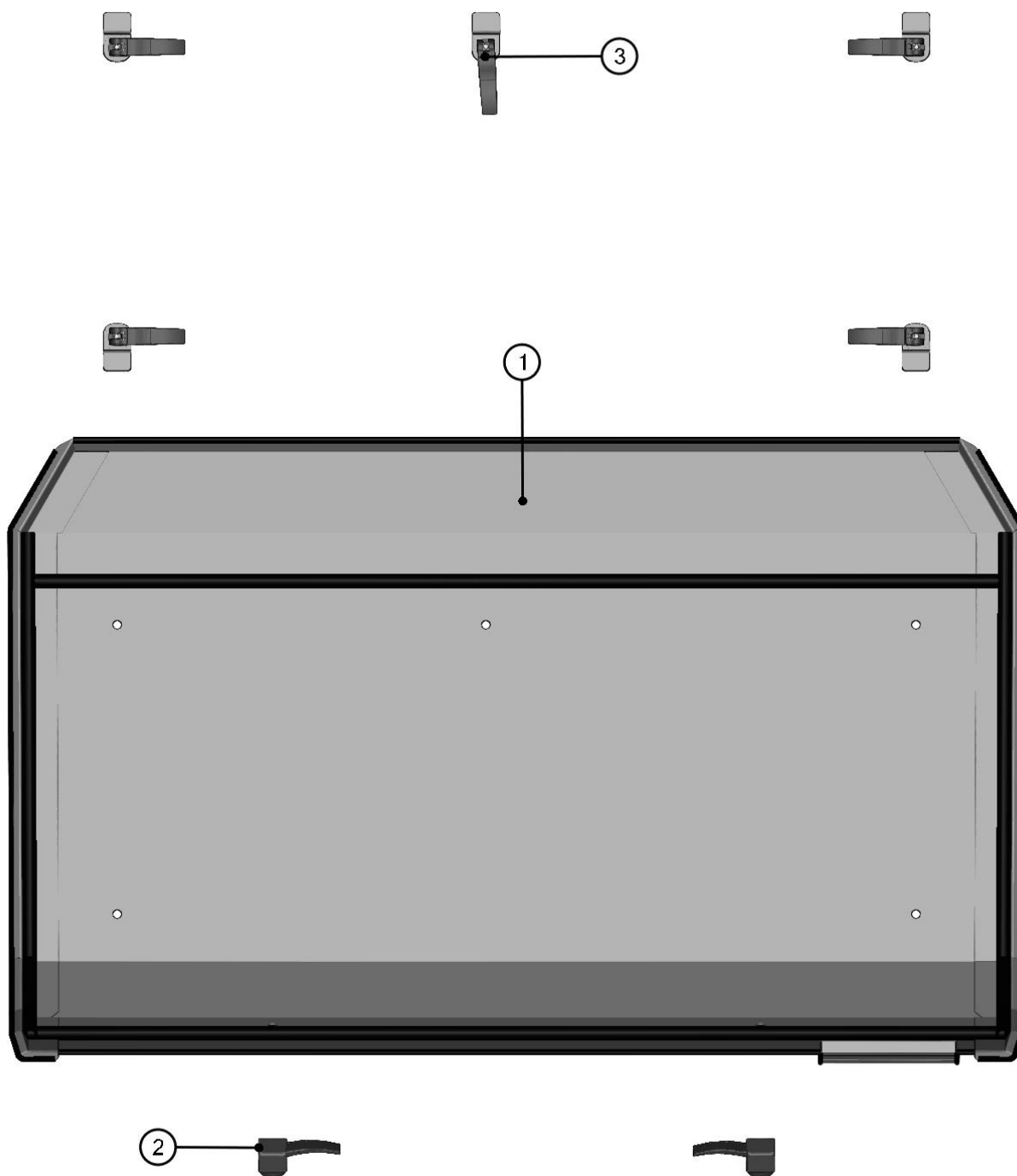
ID	Catalogue no.	Description	Qty
1	37S03U01S30	ROOF PANEL	1
2	37S03U01S20	REAR PANEL	1
3	37S03U01S40	LEFT DOOR	1
4	37S03U01S10	FRONT PANEL	1
5	37S03U01S50	RIGHT DOOR	1

Page
7
11
21
21
43

ROOF PANEL

6

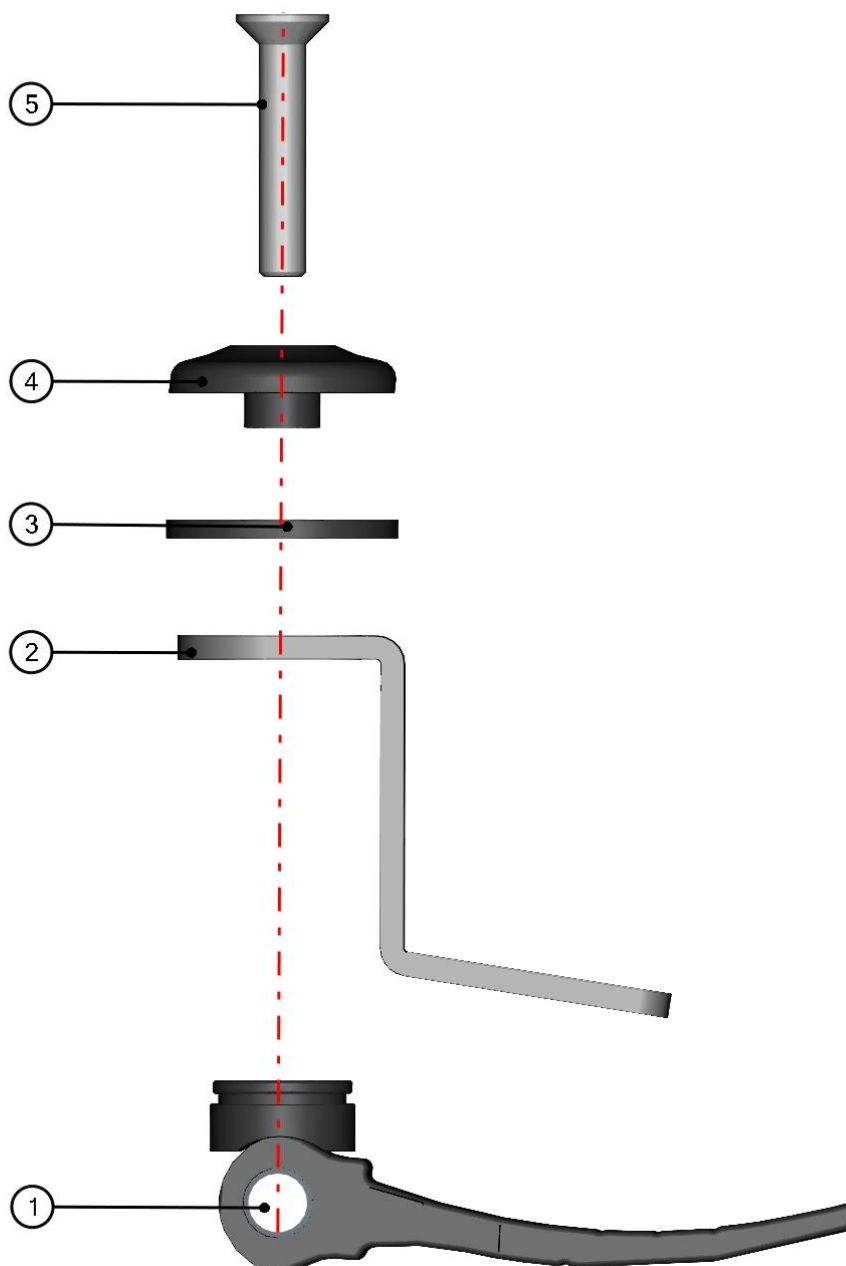
ROOF PANEL ASSEMBLIES



7

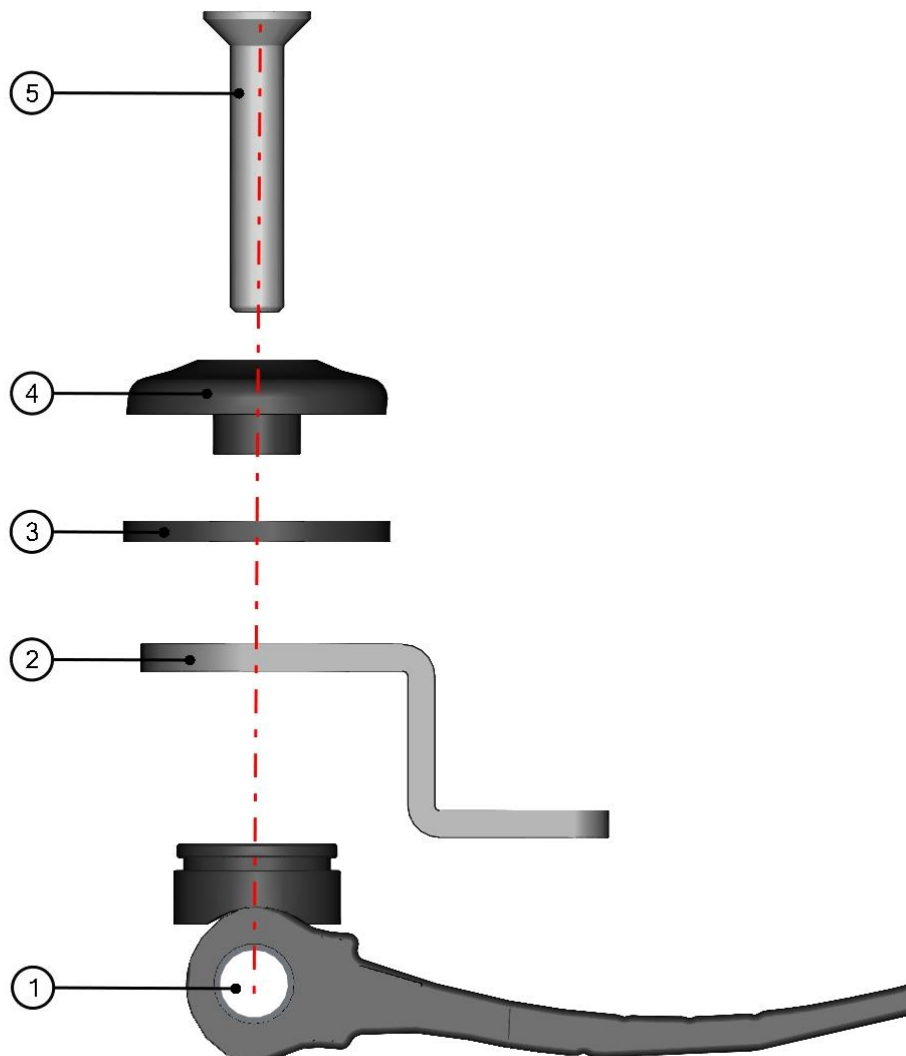
ID	Catalogue no.	Description	Qty
1	37S03U01-30M001	ROOF PANEL WITH SEALING	1
2	37S03U01-30M002	REAR ROOF PANEL HOLDER ASSEMBLY	2
3	37S03U01-30M003	FRONT ROOF PANEL HOLDER ASSEMBLY	5

REAR ROOF PANEL HOLDER ASSEMBLY



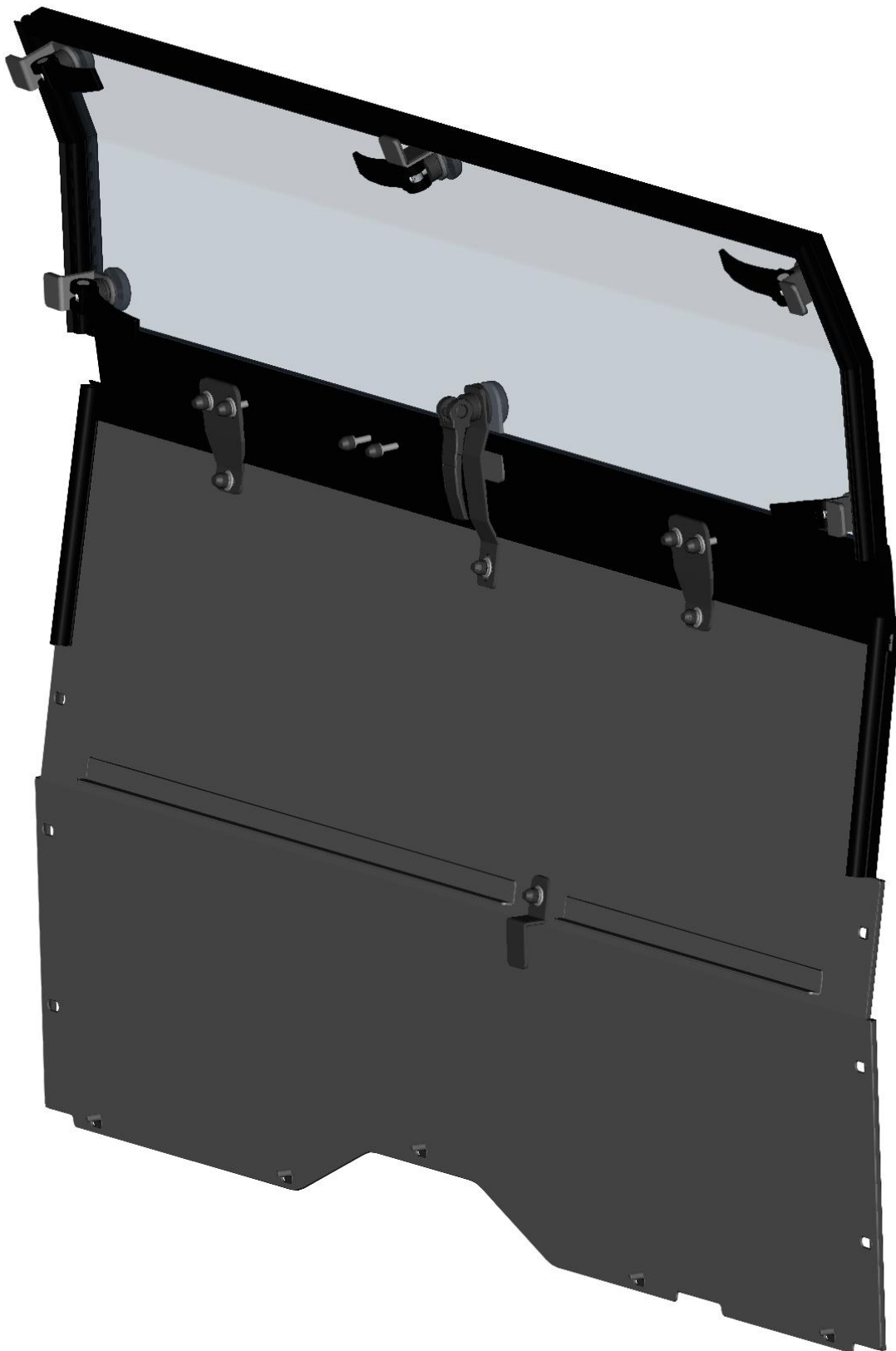
ID	Catalogue no.	Description	Qty
1	00-117U-M007	CLAMPING LEVER ASSEMBLY	1
2	37S03U01-30-006	REAR ROOF PANEL HOLDER	1
3	001428	RUBBER WASHER	1
4	001429	PLASTIC NOG	1
5	001694	SCREW M8x45	1

FRONT ROOF PANEL HOLDER ASSEMBLY



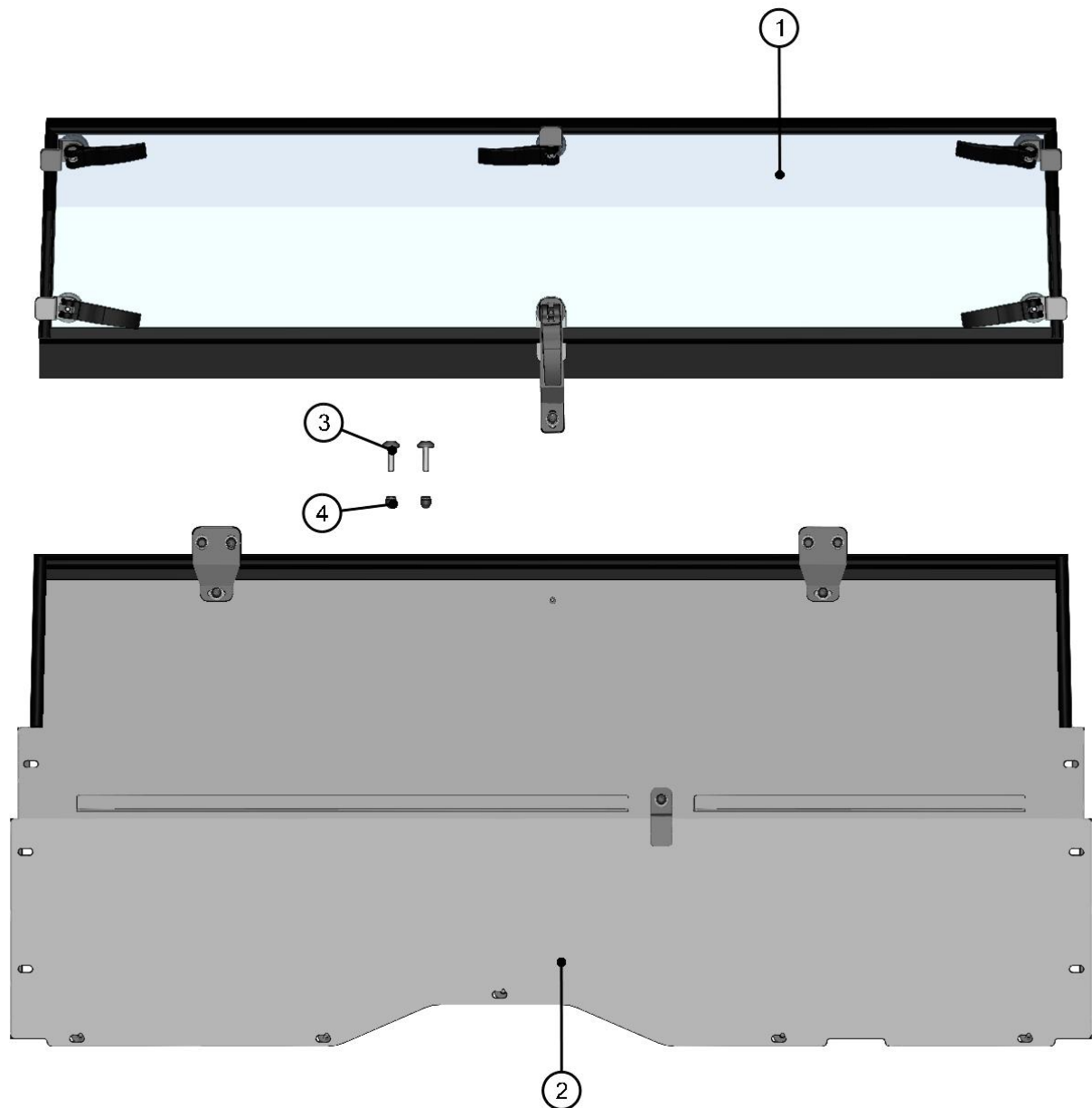
9

ID	Catalogue no.	Description	Qty
1	00-117U-M007	CLAMPING LEVER ASSEMBLY	1
2	37S03U01-30-007	FRONT ROOF PANEL HOLDER	1
3	001428	RUBBER WASHER	1
4	001429	PLASTIC NOG	1
5	001694	SCREW M8x45	1

REAR PANEL

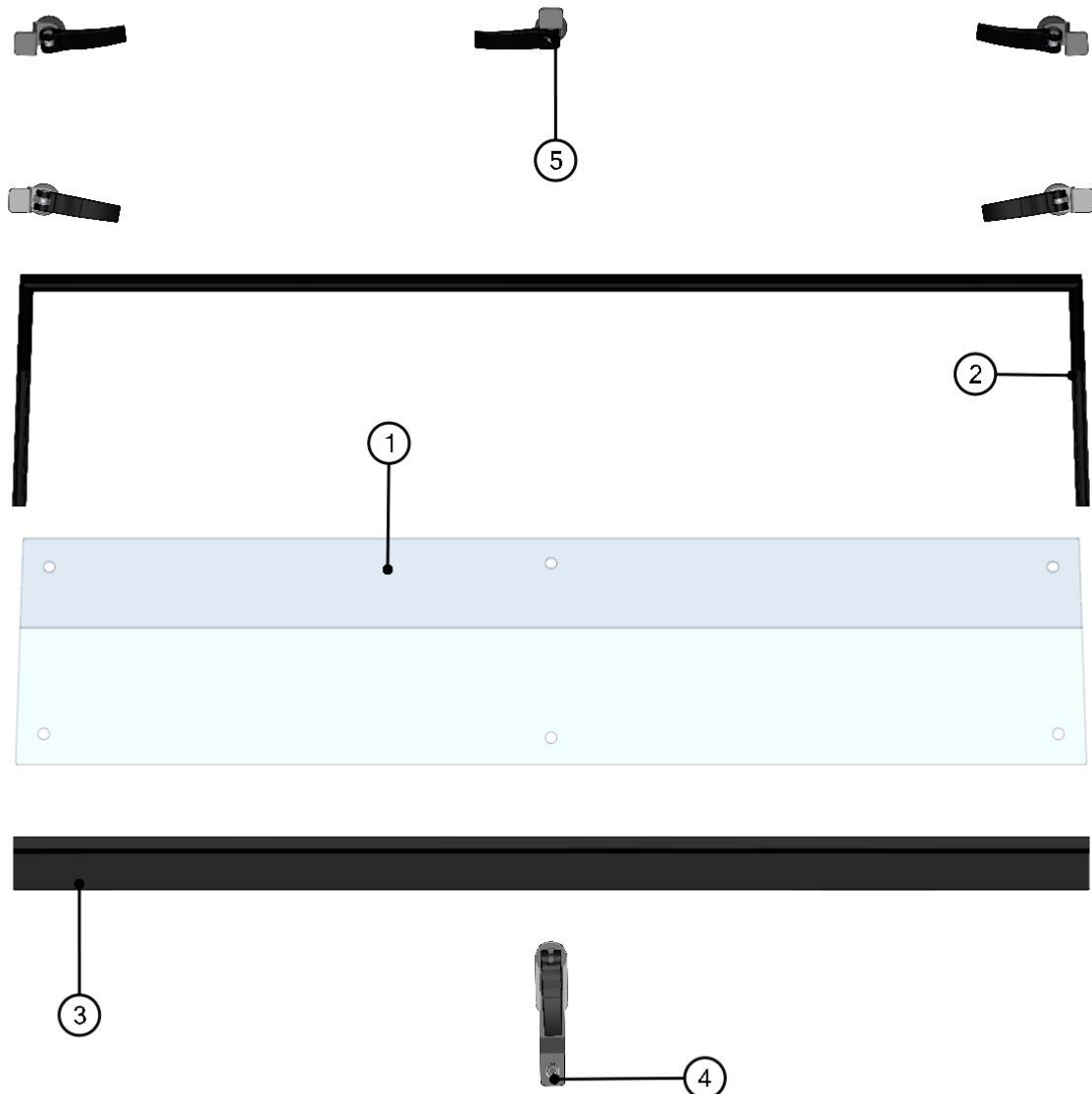
10

REAR PANEL ASSEMBLIES



ID	Catalogue no.	Description	Qty
1	37S03U01-20M001	UPPER REAR PANEL ASSEMBLY	1
2	37S03U01-20M004	BOTTOM REAR PANEL ASSEMBLY	1
3	37S03U01-20M008	FIXING ASSEMBLY 1	2
4	00-00M030	FIXING ASSEMBLY 2	2

UPPER REAR PANEL ASSEMBLY



12

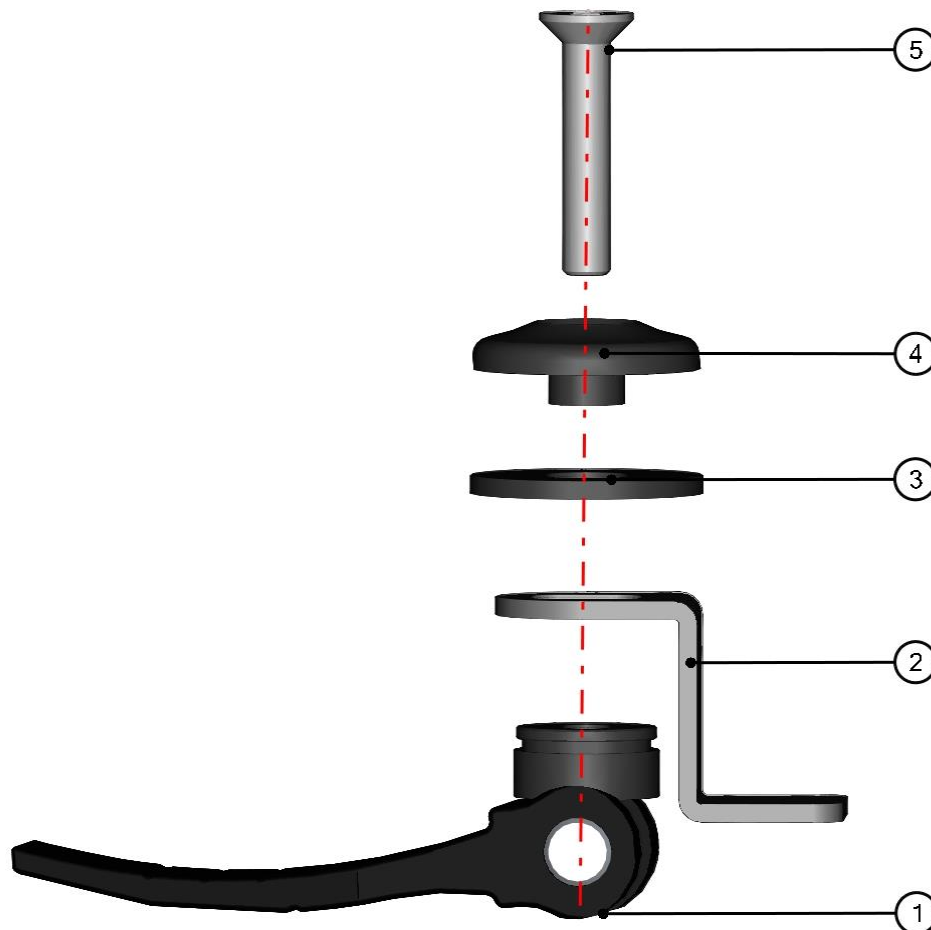
ID	Catalogue no.	Description	Qty
1	37S03U01-20-001	REAR POLYCARBONATE	1
2	001012^37S03U01-20M002	RUBBER PROFILE "PIRELA GLASS"	1
3	001668^37S03U01-20M002	RUBBER PROFILE "BRUSH PIRELI"	1
4	37S03U01-20M009	REAR POLYCARBONATE BOTTOM HOLDER ASSEMBLY	1
5	37S03U01-20M003	REAR POLYCARBONATE UPPER HOLDER ASSEMBLY	5

REAR POLYCARBONATE BOTTOM HOLDER ASSEMBLY



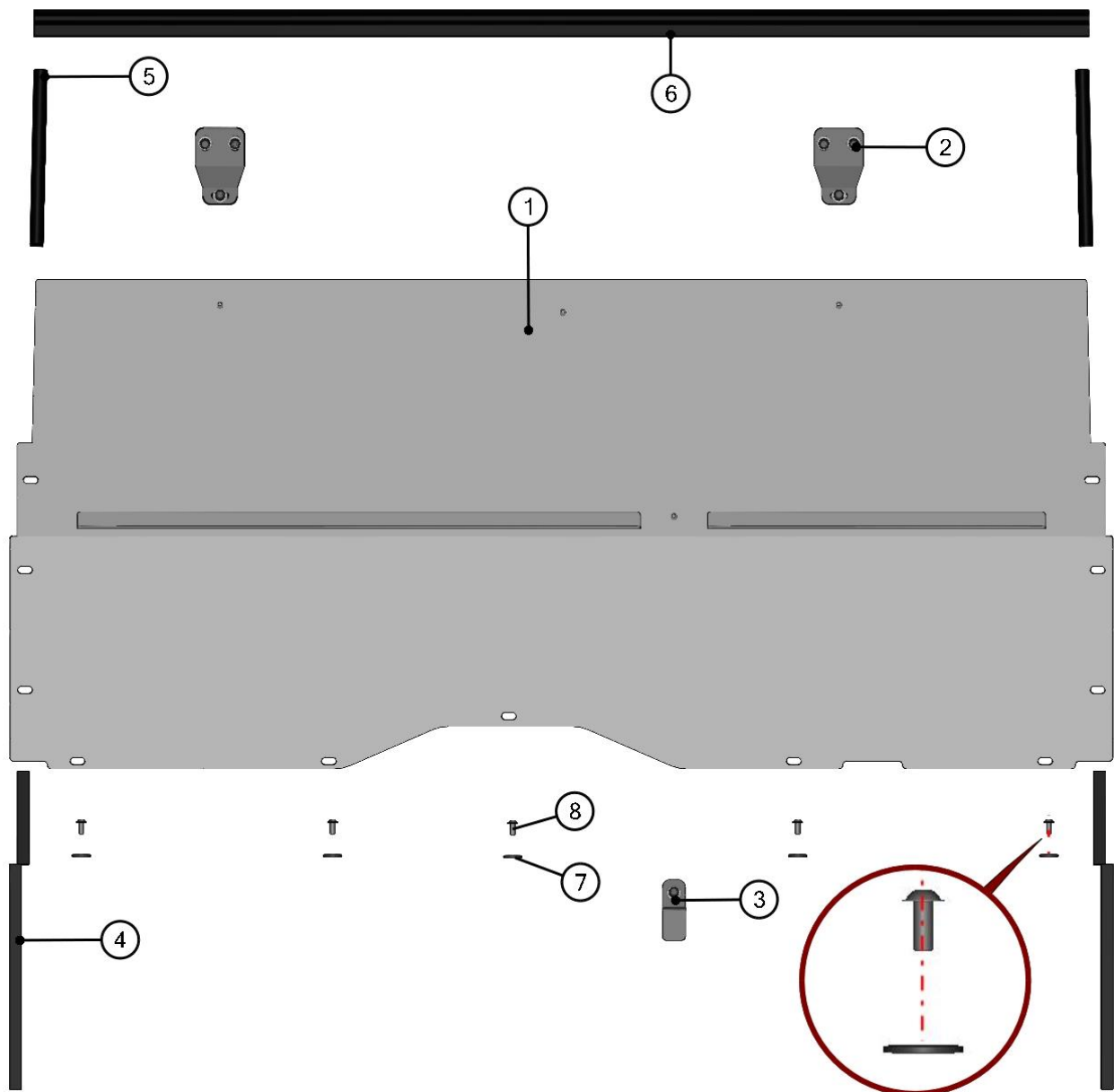
ID	Catalogue no.	Description	Qty
1	00-117U-M007	CLAMPING LEVER	1
2	001428	RUBBER WASHER	1
3	37S03U01-20-012	REAR POLYCARBONATE BOTTOM HOLDER	1
4	37S03U01-20-008	REAR POLYCARBONATE BOTTOM HOLDER WASHER	1
5	001428	RUBBER WASHER	1
6	001429	PLASTIC NOG	1
7	001399	SCREW M8x60	1
8	001337	RIVET WASHER 6	1
9	001426	WASHER 6	1
10	001392	SELF-LOCKING NUT M6	1
11	001348	PLASTIC NUT COVER OK 10	1

REAR POLYCARBONATE UPPER HOLDER ASSEMBLY



ID	Catalogue no.	Description	Qty
1	00-117U-M007	CLAMPING LEVER	1
2	37S03U01-20-003	REAR POLYCARBONATE UPPER HOLDER	1
3	001428	RUBBER WASHER	1
4	001429	PLASTIC NOG	1
5	001694	SCREW M8x45	1

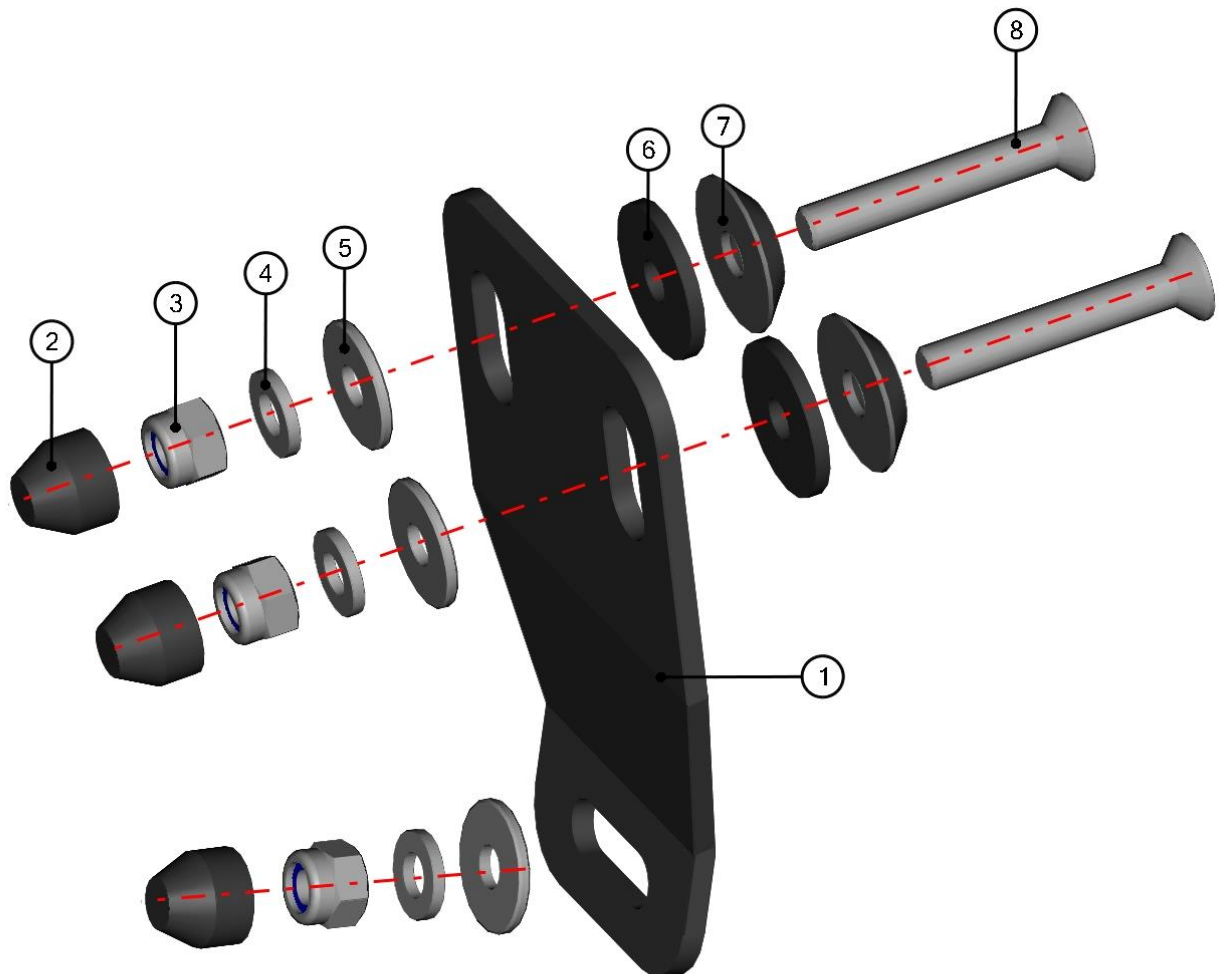
BOTTOM REAR PANEL ASSEMBLY



15

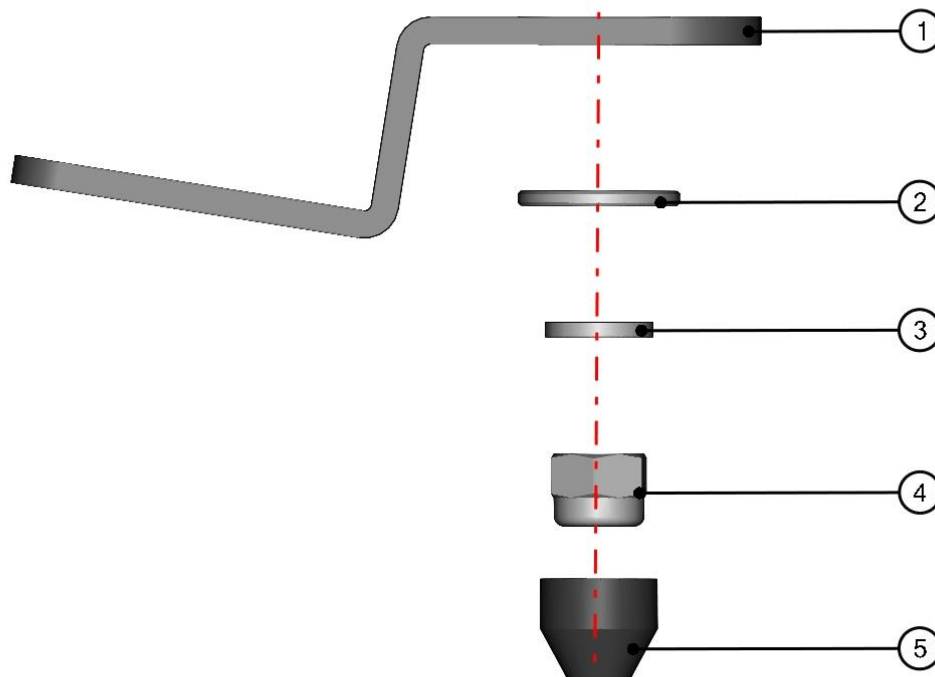
ID	Catalogue no.	Description	Qty
1	37S03U01-20W001	REAR BOTTOM PANEL WELDED	1
2	37S03U01-20M006	REAR BOTTOM PANEL UPPER HOLDER ASSEMBLY	2
3	37S03U01-20M007	REAR BOTTOM PANEL MIDDLE HOLDER ASSEMBLY	1
4	001771^37S03U01-20M005	RUBBER SEALING KR 15x4	1
5	001004^37S03U01-20M005	RUBBER PROFILE "PIRELA SIDE"	1
6	001005^37S03U01-20M005	RUBBER PROFILE "PIRELA STRAIGHT"	1
7	003322	RIVET WASHER 8	5
8	002971	SCREW M6x15	5

BOTTOM REAR PANEL UPPER HOLDER ASSEMBLY



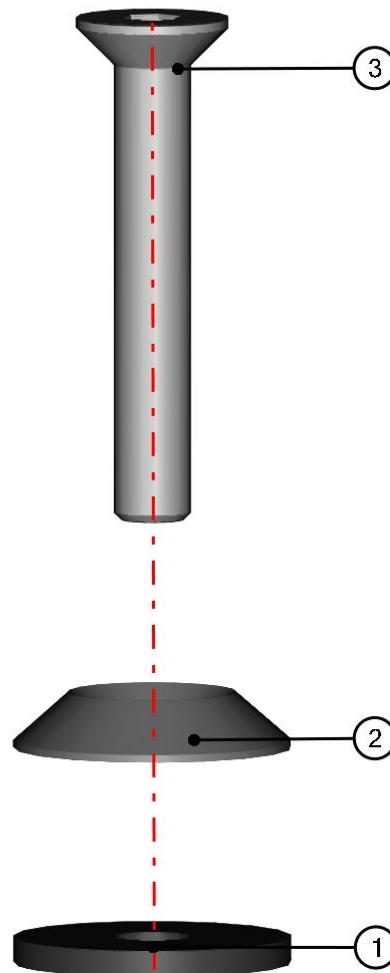
ID	Catalogue no.	Description	Qty
1	37S03U01-20-005	BOTTOM REAR PANEL HOLDER	1
2	001348	PLASTIC NUT COVER OK 10	3
3	001392	SELF-LOCKING NUT M6	3
4	001426	WASHER 6	3
5	001337	RIVET WASHER 6	3
6	001735	RUBBER WASHER	2
7	001715	PLASTIC WASHER	2
8	002808	SCREW M6x40	2

BOTTOM REAR PANEL BOTTOM HOLDER ASSEMBLY



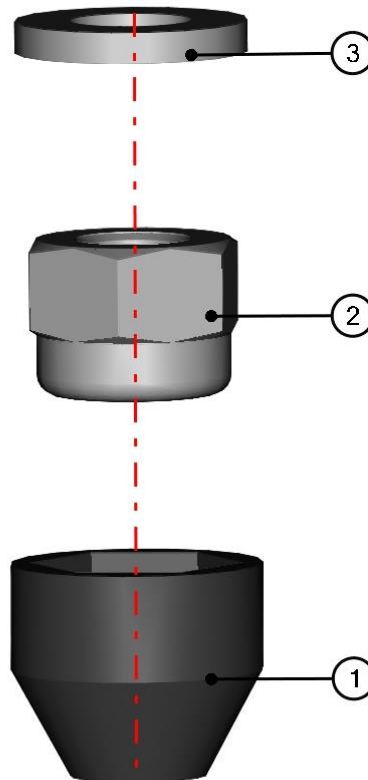
ID	Catalogue no.	Description	Qty
1	37S03U01-20-006	REAR BOTTOM PANEL MIDDLE HOLDER	1
2	001337	RIVET WASHER 6	1
3	001426	WASHER 6	1
4	001392	SELF-LOCKING NUT M6	1
5	001348	PLASTIC NUT COVER OK 10	1

FIXING ASSEMBLY 1

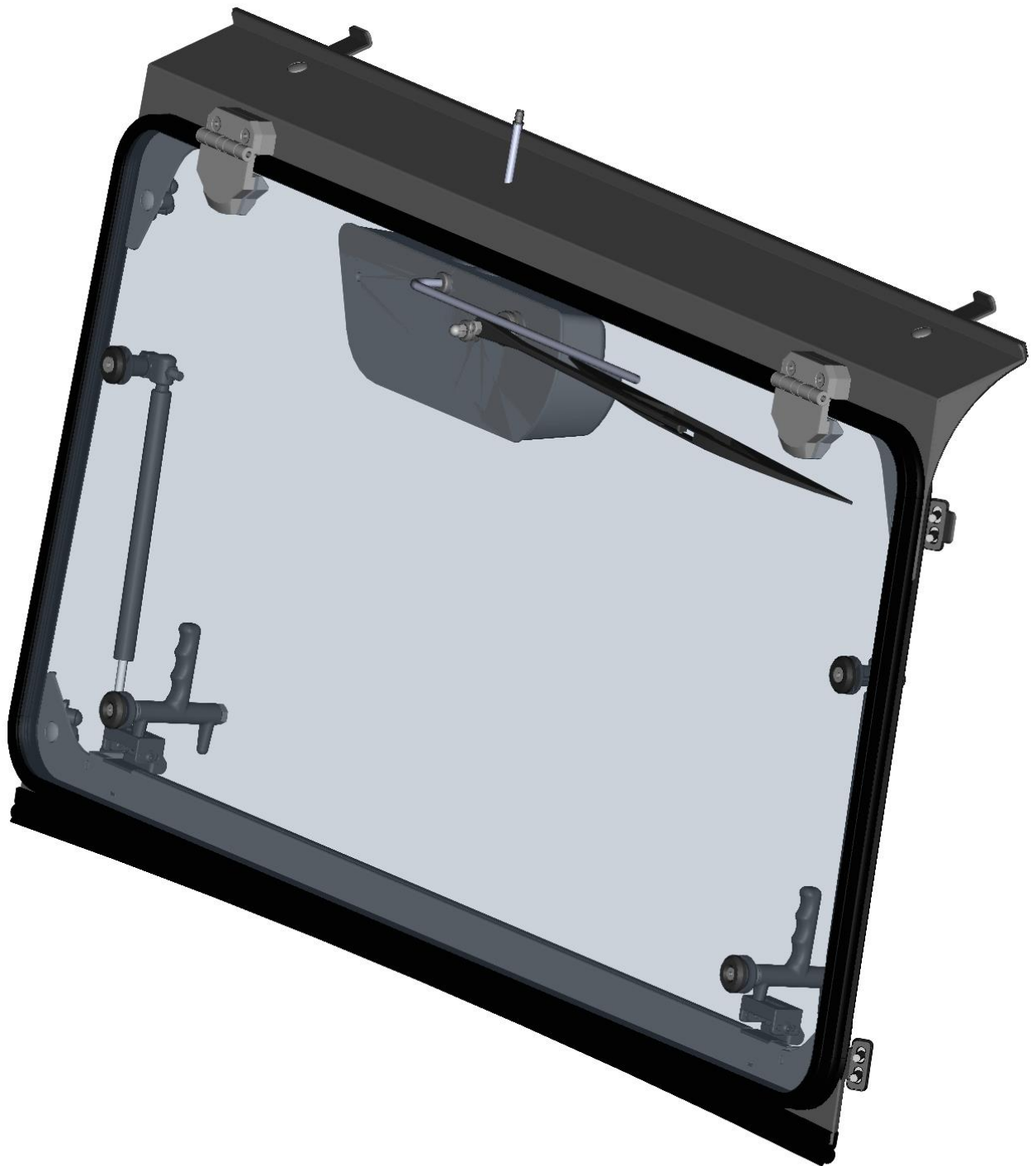


ID	Catalogue no.	Description	Qty
1	001735	RUBBER WASHER	1
2	001715	PLASTIC WASHER	1
3	002808	SCREW M6x40	1

FIXING ASSEMBLY 2

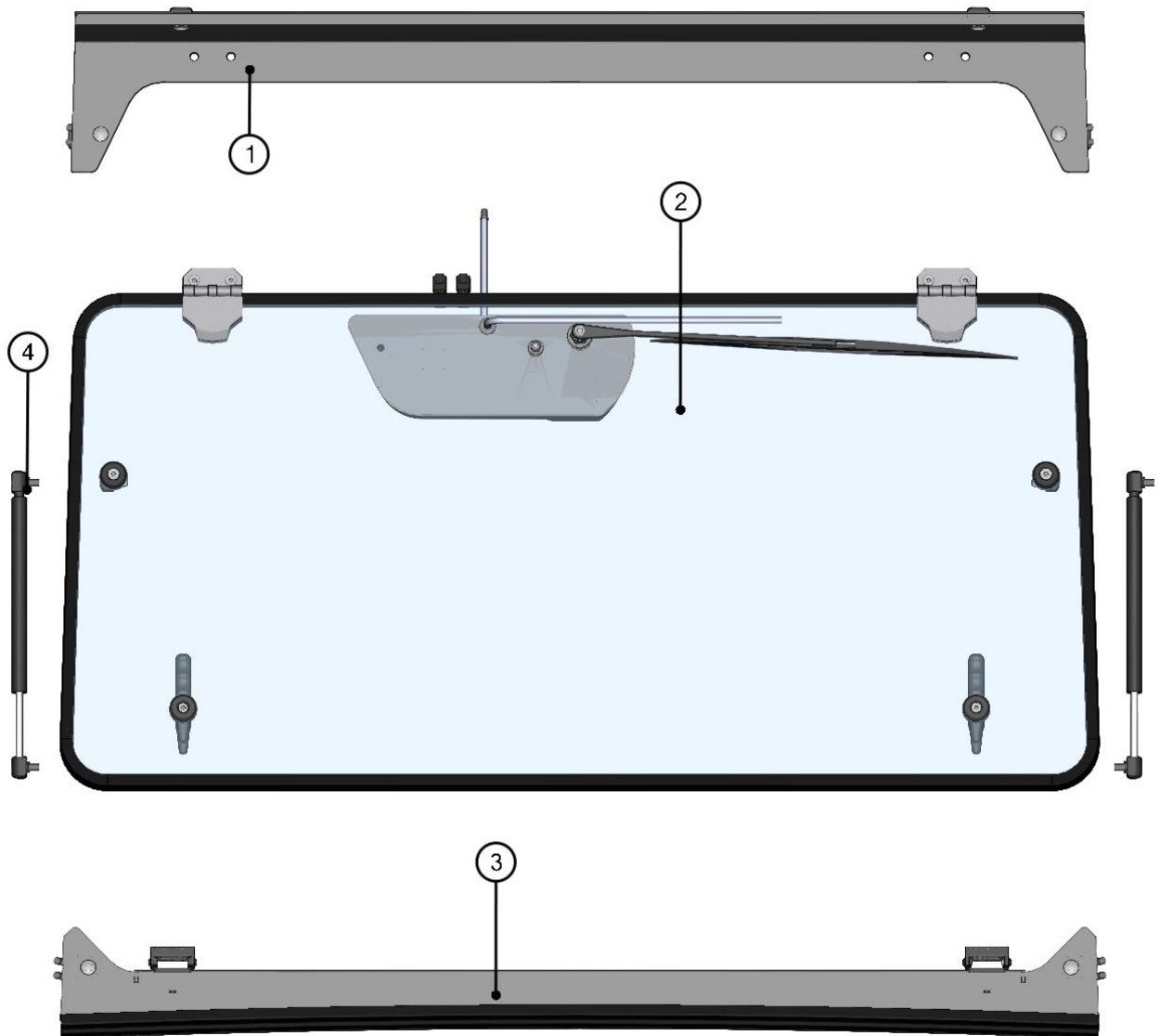


ID	Catalogue no.	Description	Qty
1	001348	PLASTIC NUT COVER OK 10	1
2	001392	SELF-LOCKING NUT M6	1
3	001426	WASHER 6	1

FRONT PANEL

20

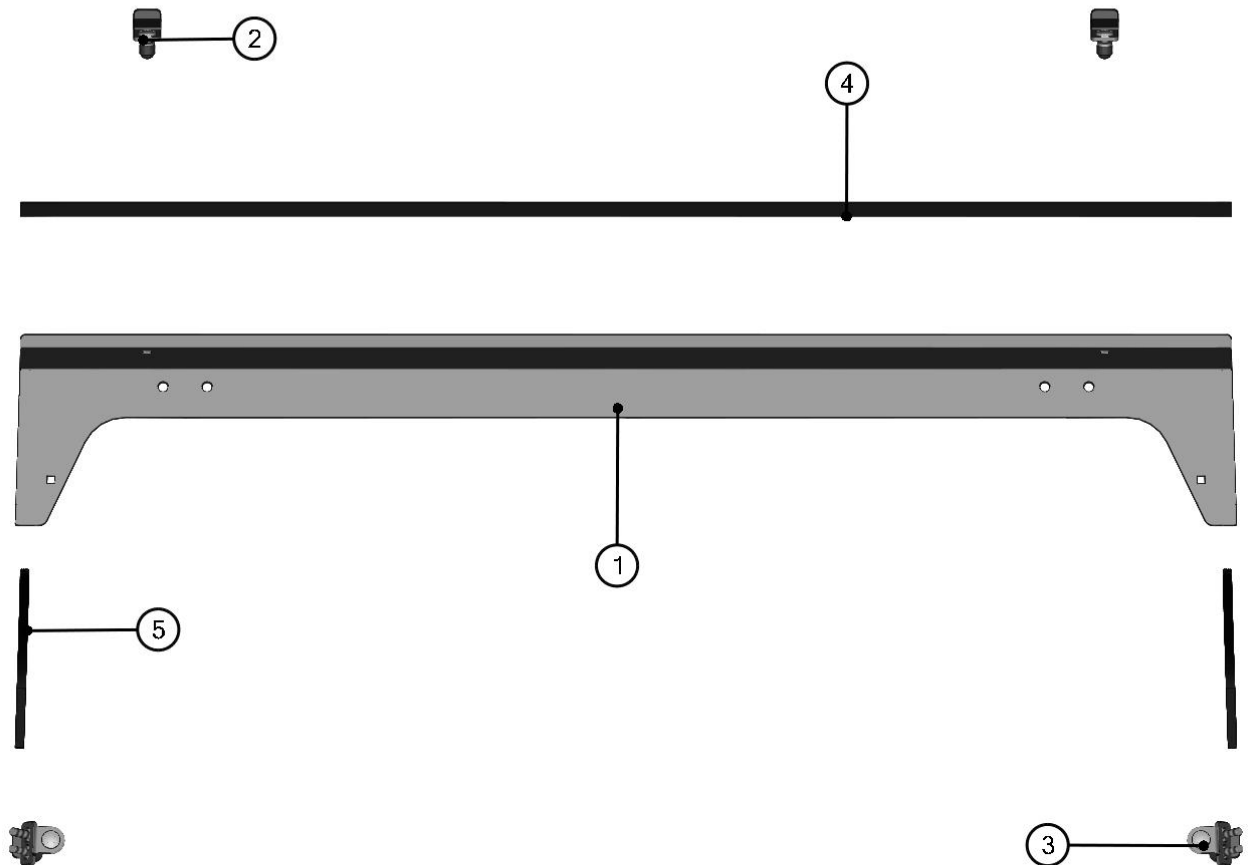
FRONT PANEL ASSEMBLIES



21

ID	Catalogue no.	Description	Qty
1	37S03U01-10M002	FRONT UPPER LEDGE ASSEMBLY	1
2	37S03U01-10M001	FRONT GLASS ASSEMBLY	1
3	37S03U01-10M003	FRONT BOTTOM LEDGE ASSEMBLY	1
4	002494	GAS SPRING	2

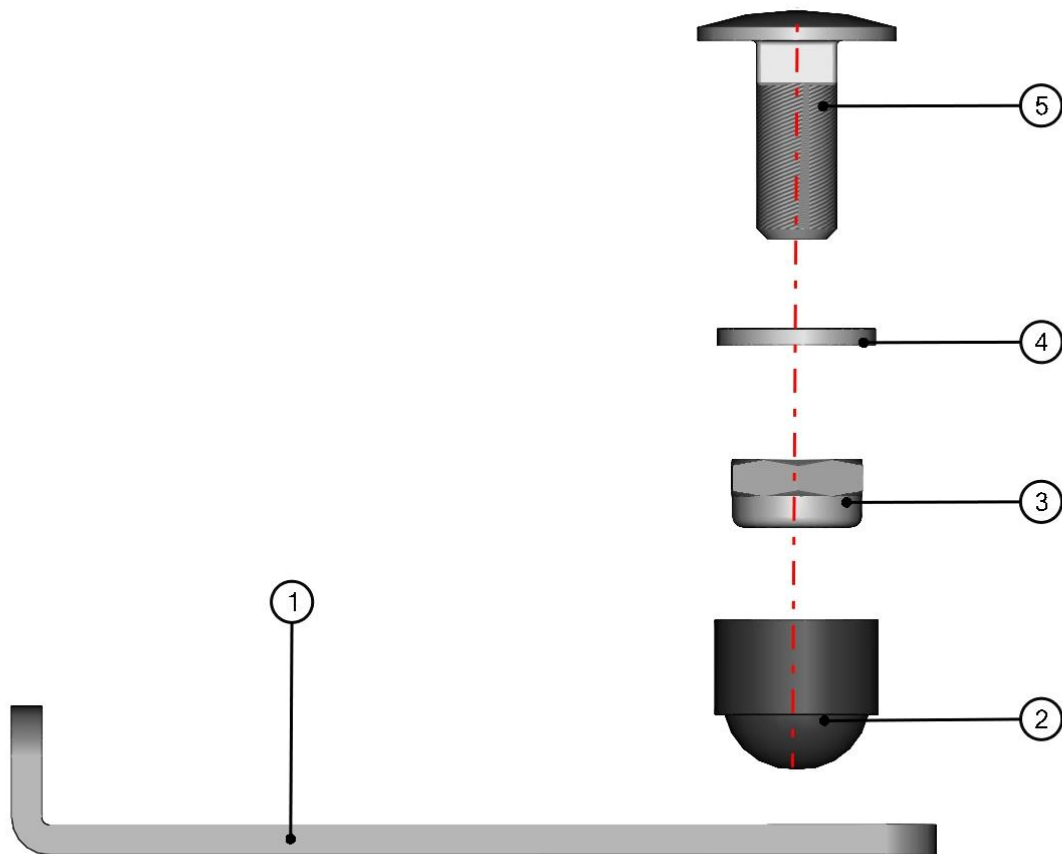
FRONT UPPER LEDGE ASSEMBLY



22

ID	Catalogue no.	Description	Qty
1	37S03U01-10W001	FRONT UPPER LEDGE WELDED	1
2	37S03U01-10M005	FRONT UPPER LEDGE UPPER HOLDER ASSEMBLY	2
3	37S03U01-10M006	FRONT UPPER LEDGE BOTTOM HOLDER ASSEMBLY	2
4	001771^37S03U01-10M002	RUBBER SEALING KR 15x4	1
5	001354^37S03U01-10M002	RUBBER PROFILE KR 9x3	1

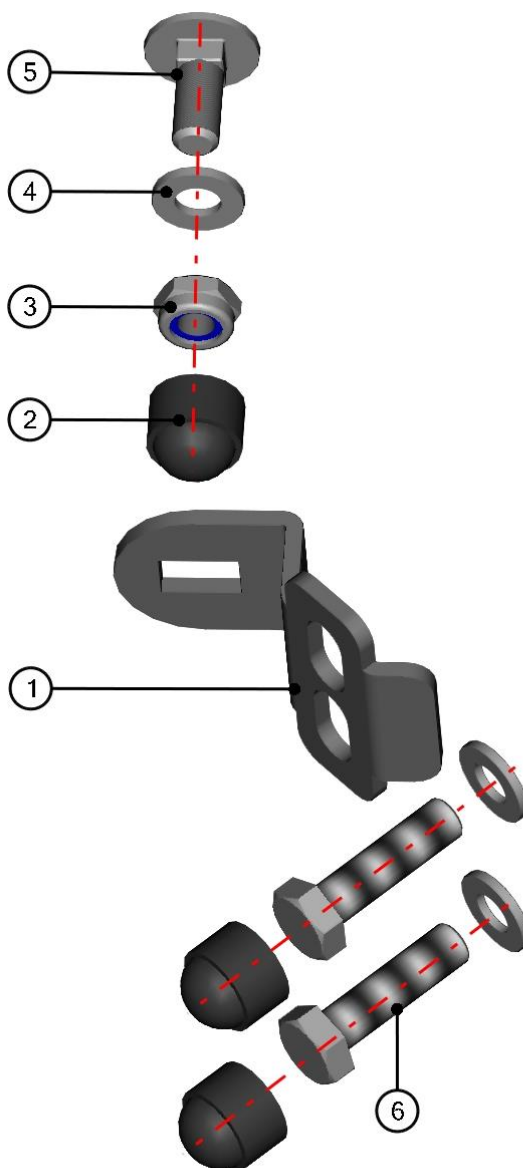
FRONT UPPER LEDGE UPPER HOLDER ASSEMBLY



23

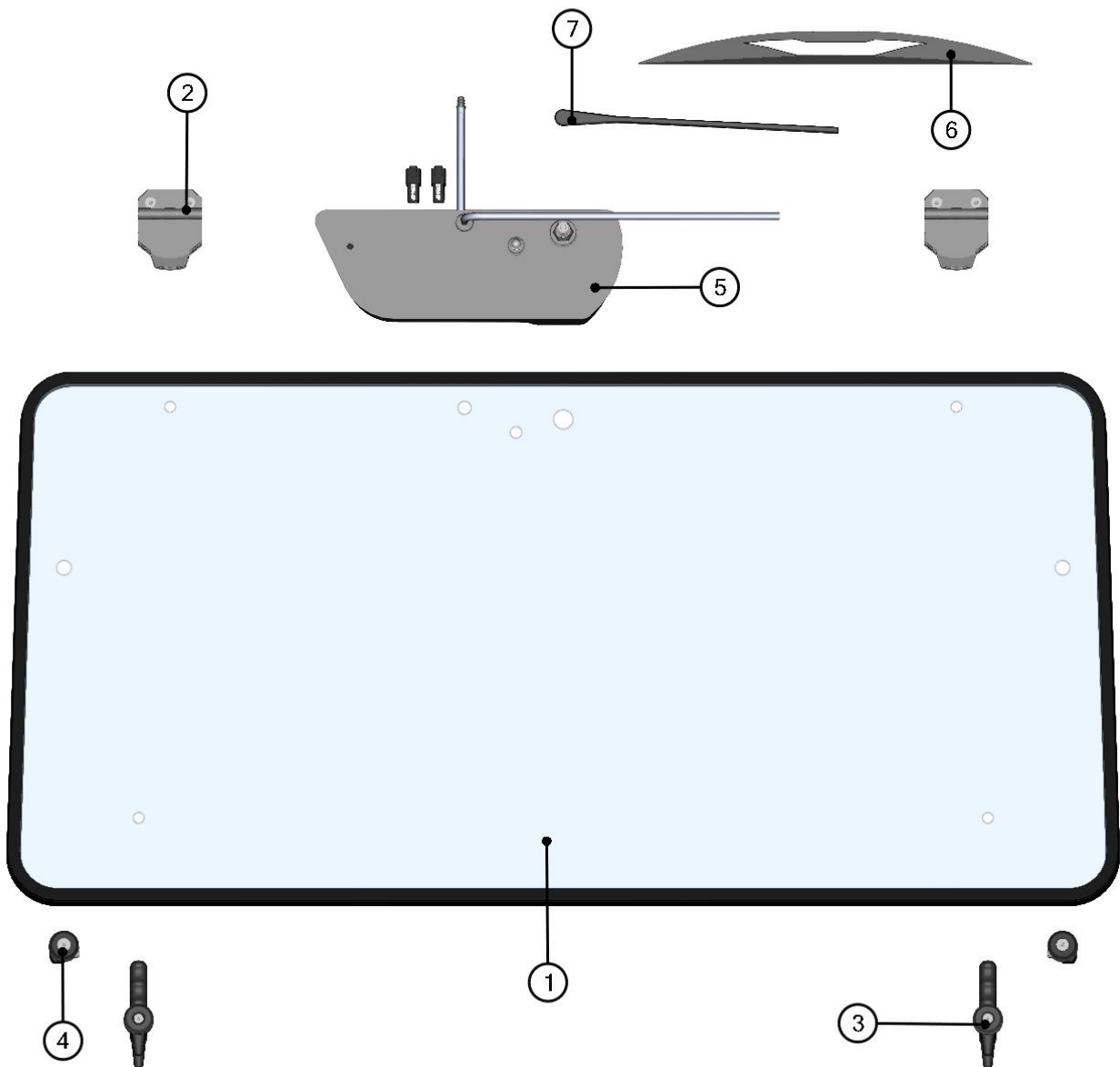
ID	Catalogue no.	Description	Qty
1	37S03U01-10-006	FRONT UPPER LEDGE UPPER HOLDER	1
2	001309	PLASTIC NUT COVER OK 13	1
3	001388	SELF-LOCKING NUT M8	1
4	001387	WASHER 8	1
5	002575	SCREW M8x20	1

FRONT UPPER LEDGE BOTTOM HOLDER ASSEMBLY



ID	Catalogue no.	Description	Qty
1	37S03U01-10-008	FRONT UPPER LEDGE BOTTOM HOLDER	1
2	001309	PLASTIC NUT COVER OK 13	3
3	001388	SELF-LOCKING NUT M8	1
4	001387	WASHER 8	3
5	002575	SCREW M8x20	1
6	001411	SCREW M8x30	2

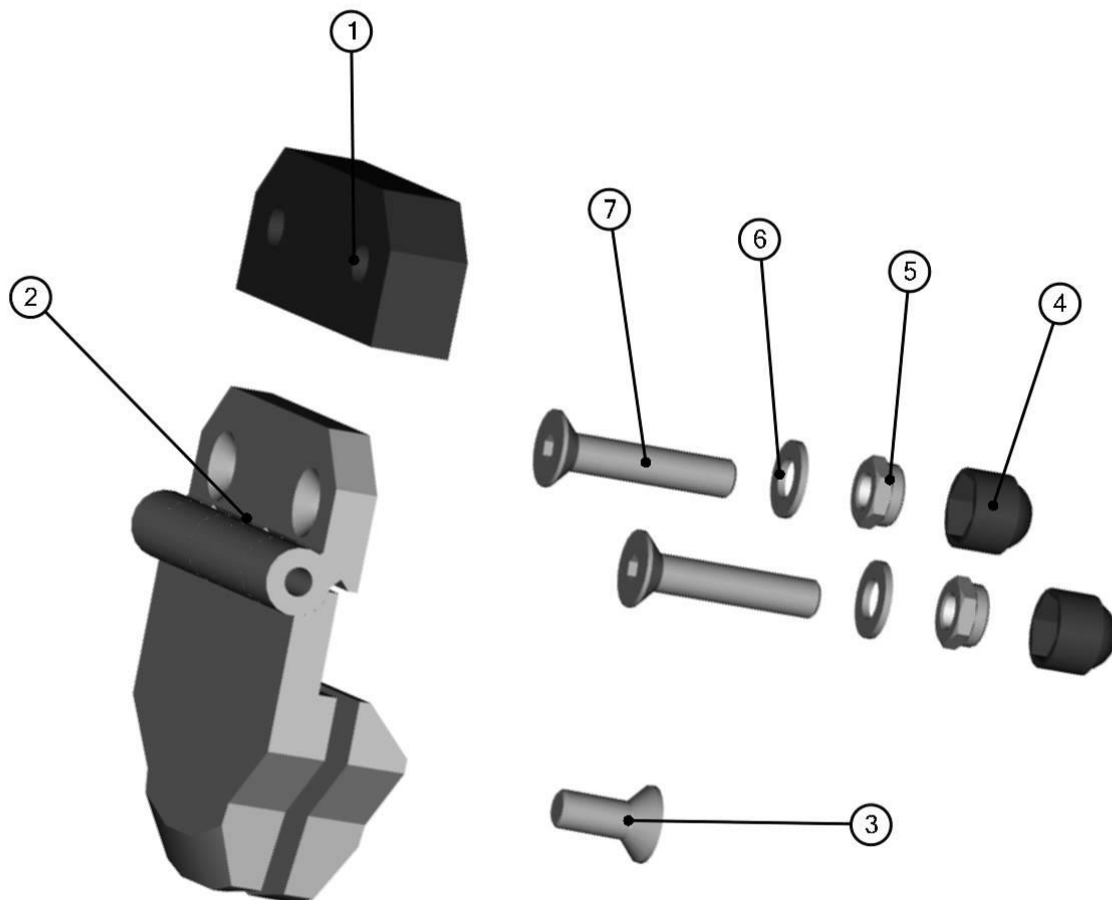
FRONT GLASS ASSEMBLY



25

ID	Catalogue no.	Description	Qty
1	37S03U01-10M004	FRONT GLASS WITH SEALING	1
2	00-10M012	FRONT PANEL HINGE ASSEMBLY	2
3	00-10M026	FRONT GLASS LOCK	2
4	00-20M005	GAS SPRING HOLDER	2
5	41S04U04-01M001	WIPER ASSEMBLY	1
6	000799	WIPER BLADE	1
7	001764	WIPER ARM	1

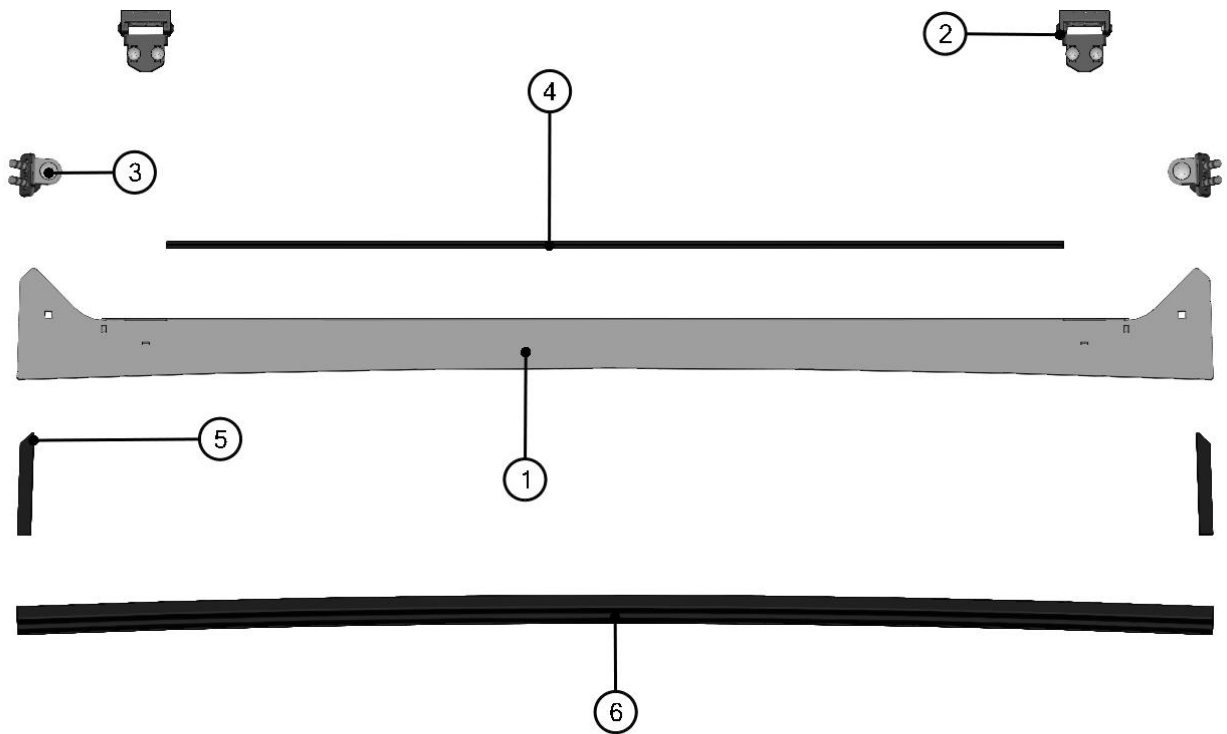
FRONT PANEL HINGE ASSEMBLY



26

ID	Catalogue no.	Description	Qty
1	000863	PLASTIC WASHER	1
2	000862	HINGE ASSEMBLY	1
3	002784	SCREW M8x20	1
4	001309	PLASTIC COVER OK 13	2
5	001388	SELF-LOCKING NUT M8	2
6	001387	WASHER 8	2
7	002607	SCREW M8x40	2

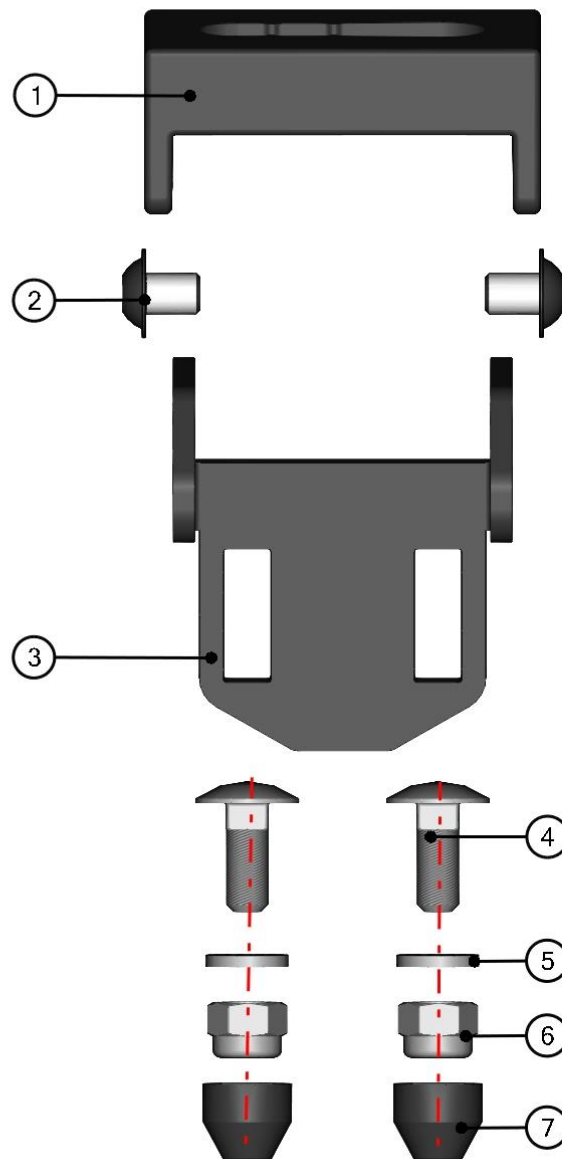
FRONT BOTTOM LEDGE ASSEMBLY



27

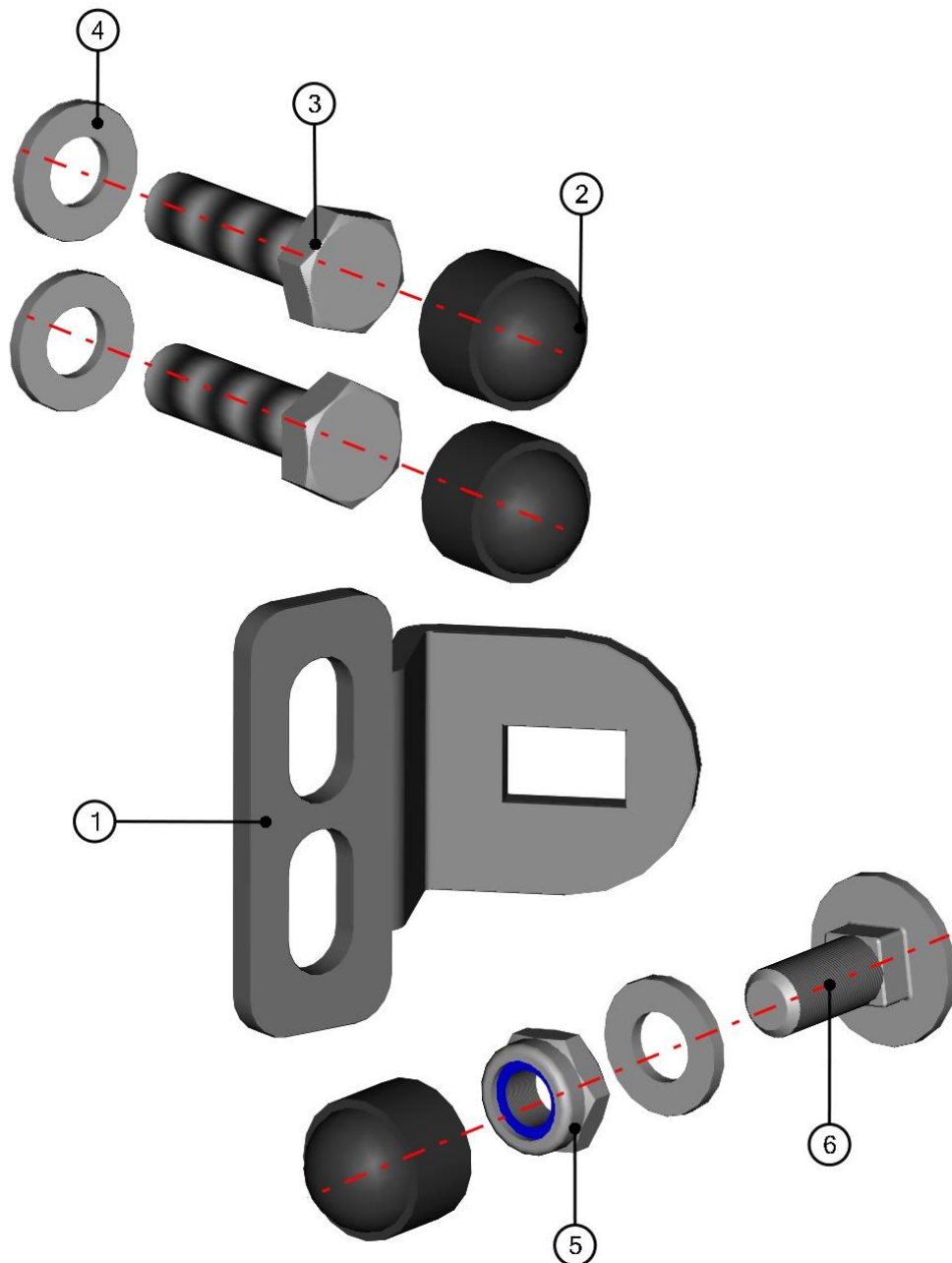
ID	Catalogue no.	Description	Qty
1	37S03U01-10W002	FRONT BOTTOM LEDGE WELDED	1
2	50S02U02-10M009	FRONT GLASS STOP ASSEMBLY	2
3	37S03U01-10M007	FRONT BOTTOM LEDGE HOLDER ASSEMBLY	2
4	001001^37S03U01-10M003	RUBBER PROFILE "LEMOKVA"	1
5	001771^37S03U01-10M003	RUBBER PROFILE KR 15x4	1
6	001005^37S03U01-10M003	RUBBER PROFILE "PIRELA"	1

FRONT GLASS STOP ASSEMBLY

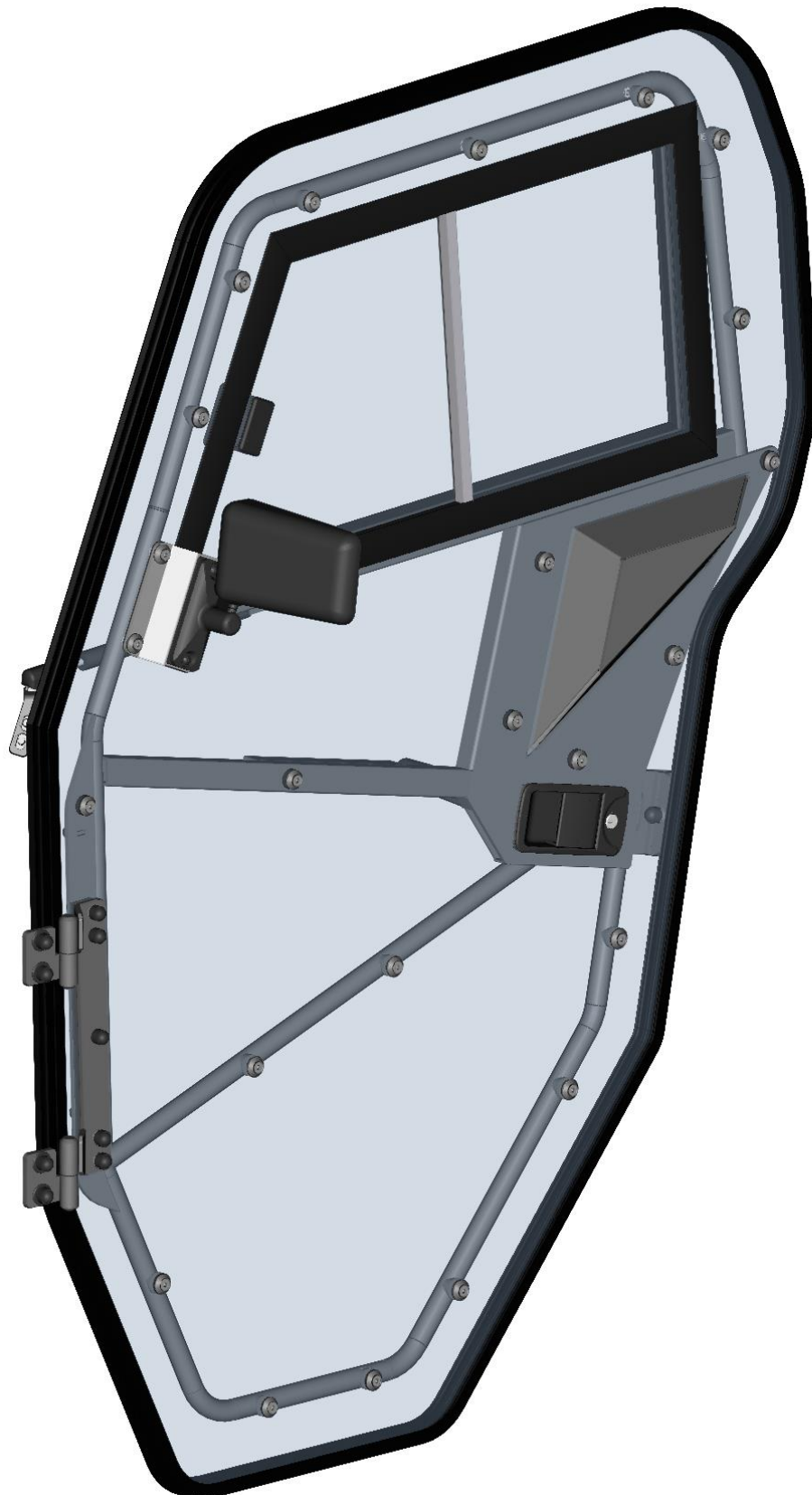


ID	Catalogue no.	Description	Qty
1	004856	PLASTIC FRONT GLASS STOP	1
2	004386	SCREW M6x8	2
3	50S02U02-10-013	FRONT GLASS STOP HOLDER	1
4	004529	SCREW M6x16	2
5	001426	WASHER 6	2
6	001392	SELF-LOCKING NUT M6	2
7	001348	PLASTIC NUT COVER OK 10	2

FRONT BOTTOM LEDGE HOLDER ASSEMBLY

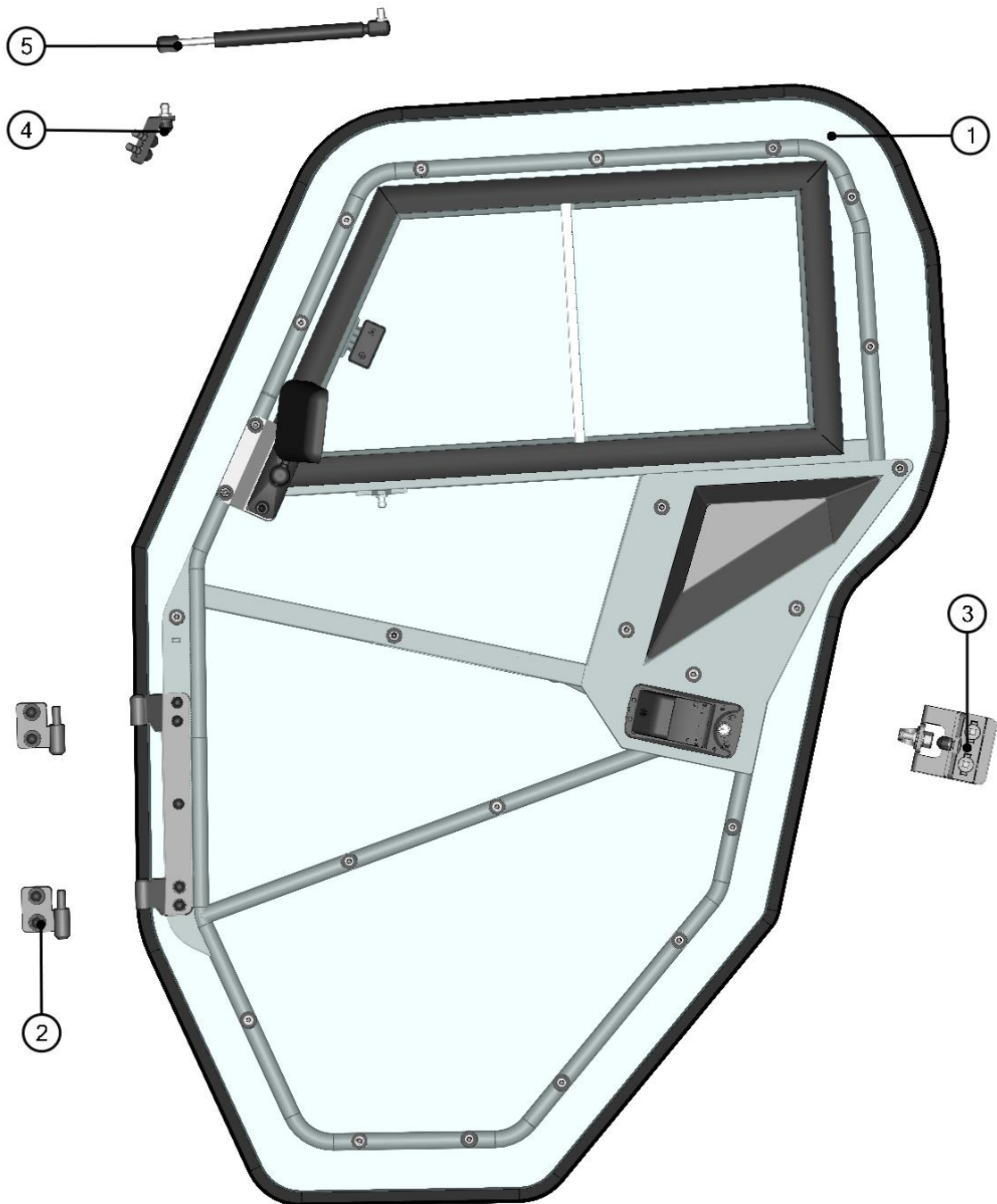


ID	Catalogue no.	Description	Qty
1	37S03U01-10-010	FRONT BOTTOM LEDGE HOLDER	1
2	001309	PLASTIC NUT COVER OK 13	3
3	001411	SCREW M8x30	2
4	001387	WASHER 8	3
5	001388	SELF-LOCKING NUT M8	1
6	002575	SCREW M8x20	1

LEFT DOOR

30

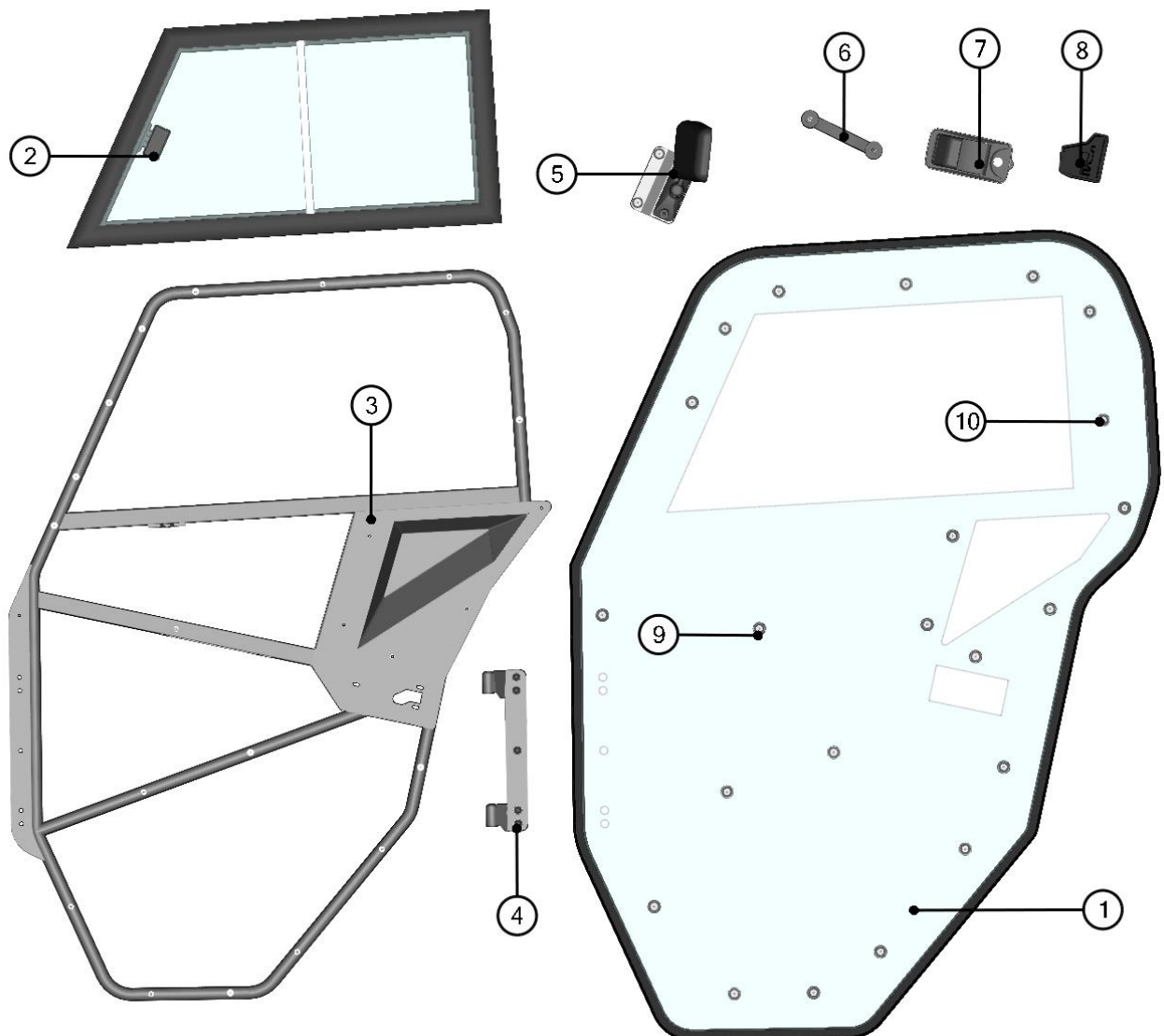
LEFT DOOR ASSEMBLIES



31

ID	Catalogue no.	Description	Qty
1	37S03U01-40M001	LEFT DOOR PANEL ASSEMBLY	1
2	37S03U01-40M007	LEFT DOOR HINGE ASSEMBLY	2
3	37S03U01-40M003	DOOR STOP ASSEMBLY	1
4	37S03U01-40M008	LEFT DOOR GAS SPRING HOLDER ASSEMBLY	1
5	000865	DOOR GAS SPRING	1

LEFT DOOR PANEL ASSEMBLY



32

ID	Catalogue no.	Description	Qty
1	37S03U01-40M004	LEFT DOOR POLYCARBONATE WITH SEALING	1
2	37S03U01-40M002	LEFT WINDOW ASSEMBLY	1
3	37S03U01-40W001	LEFT DOOR FRAME WELDED	1
4	37S03U01-40M005	LEFT DOOR HINGES LEDGE ASSEMBLY	1
5	00-109U-M003	LEFT REAR VIEW MIRROR ASSEMBLY	1
6	00-40M018	DOOR HANDLE ASSEMBLY	1
7	000841	OUTER DOOR LOCK	1
8	00-40M023	LEFT INNER DOOR LOCK	1
9	00-00M020	FRAME FIXING ASSEMBLY	7
10	00-00M019	POLYCARBONATE FIXING ASSEMBLY	15

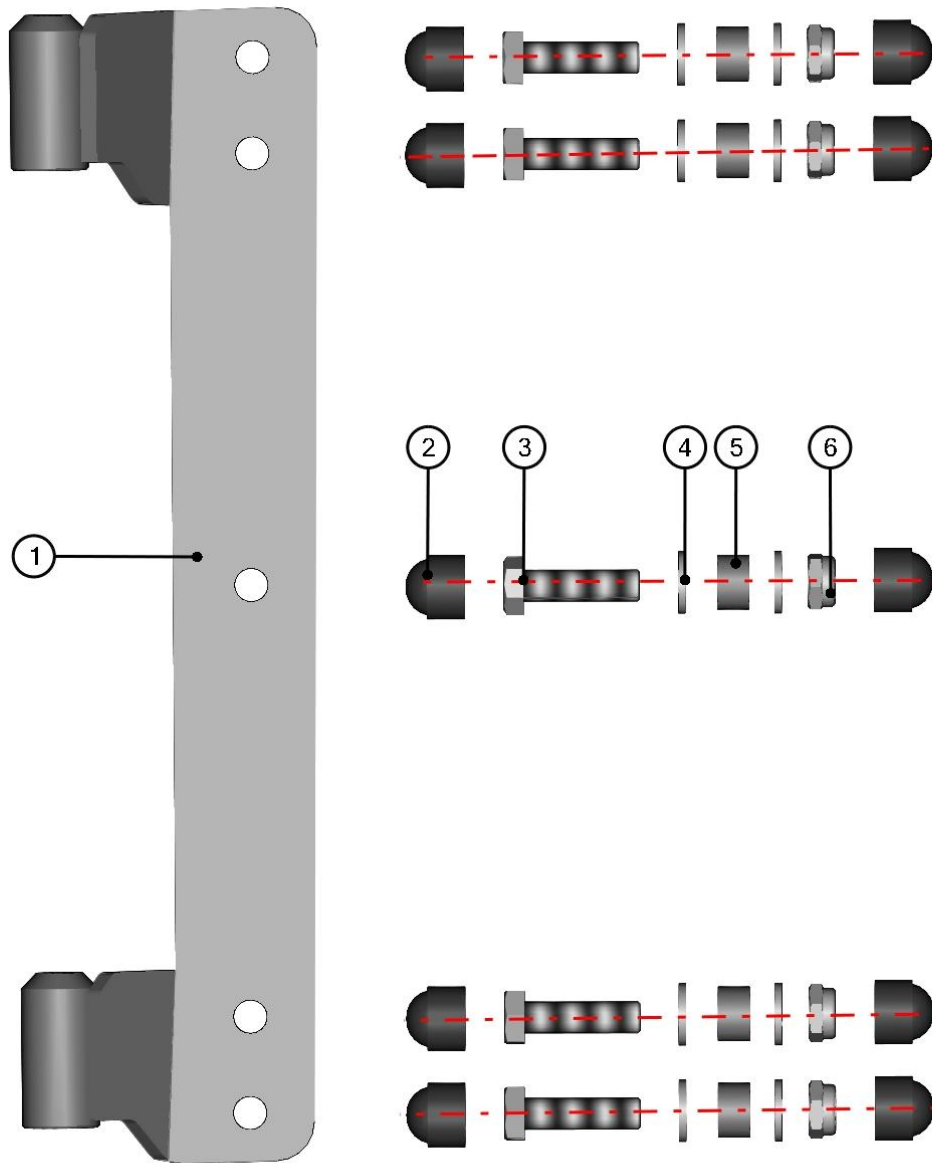
LEFT WINDOW ASSEMBLY



33

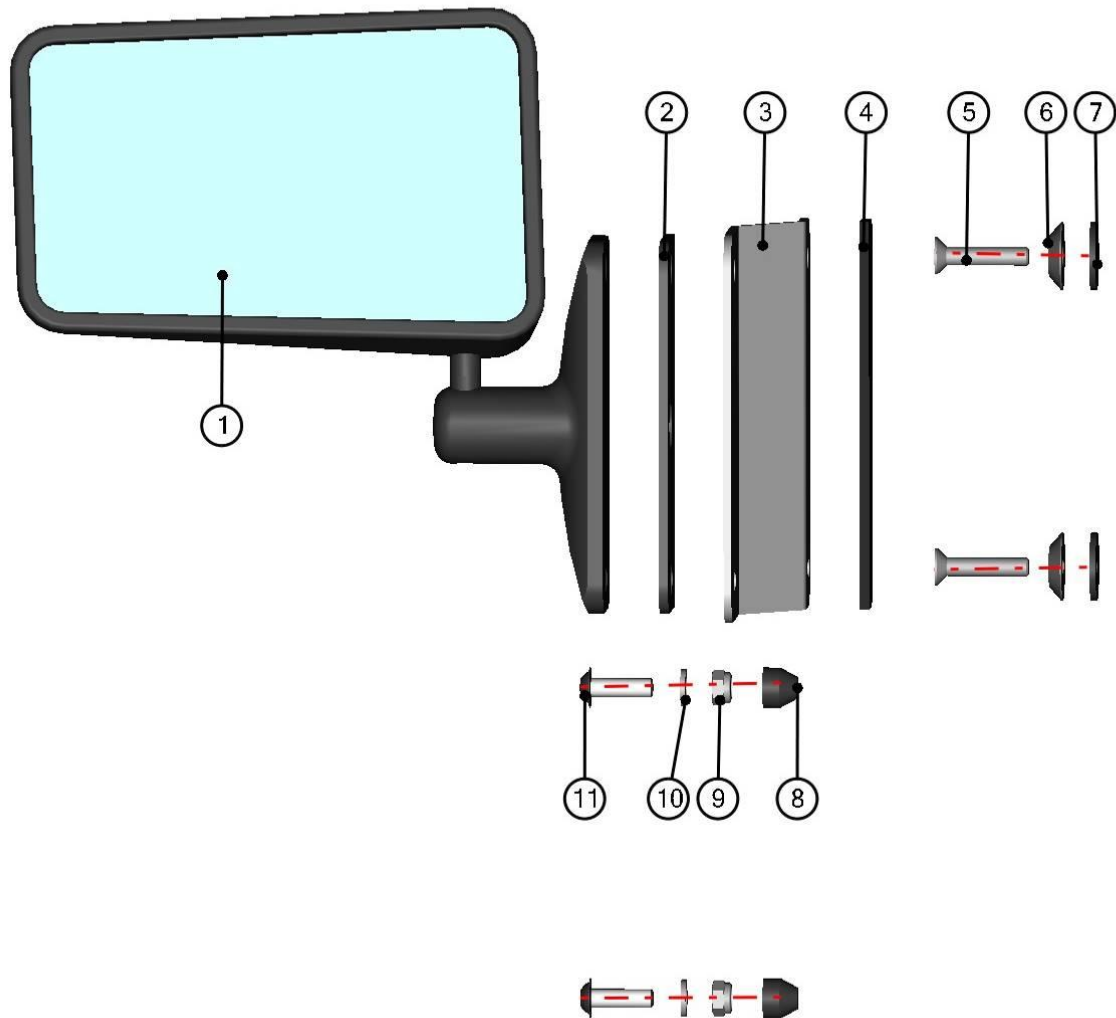
ID	Catalogue no.	Description	Qty
1	37S03U01-40-003	WINDOW GLASS SOLID	1
2	37S03U01-40-002	WINDOW GLASS MOVABLE	1
3	37S03U01-40-004	LEFT WINDOW FRAME	1
4	00-40M008	WINDOW LOCK	1
5	001762	WINDOW STOP	1

LEFT DOOR HINGES LEDGE ASSEMBLY



ID	Catalogue no.	Description	Qty
1	37S03U01-40W002	LEFT DOOR HINGES LEDGE WELDED	1
2	001309	PLASTIC NUT COVER OK 13	10
3	001411	SCREW M8x30	5
4	001387	WASHER 8	10
5	005733	DISTANCE TUBE	5
6	001388	SELF-LOCKING NUT M8	5

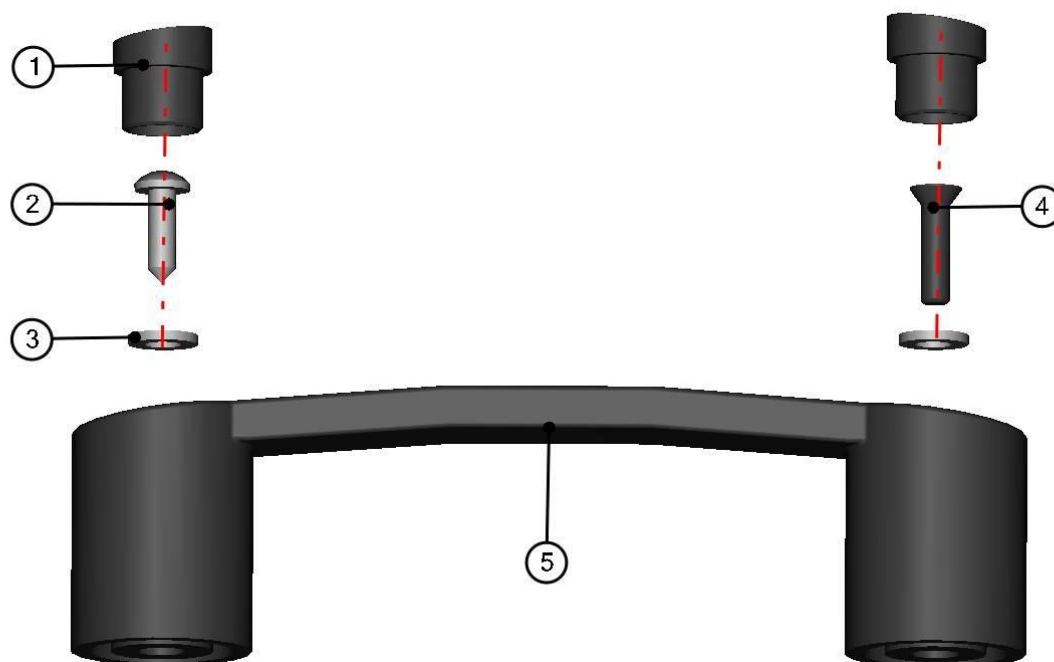
LEFT REAR VIEW MIRROR ASSEMBLY



35

ID	Catalogue no.	Description	Qty
1	002773	LEFT REAR VIEW MIRROR	1
2	00-109U-001	REAR VIEW RUBBER WASHER	1
3	00-109U-002	REAR VIEW MIRROR HOLDER	1
4	001420^00-109U-M004	REAR VIEW MIRROR HOLDER RUBBER SEALING	1
5	001701	SCREW M6x30	2
6	001715	PLASTIC WASHER	2
7	001735	RUBBER WASHER "EPDM"	2
8	001348	PLASTIC NUT COVER OK 10	2
9	001392	SELF-LOCKING NUT M6	2
10	001426	WASHER 6	2
11	001723	SCREW M6x20	2

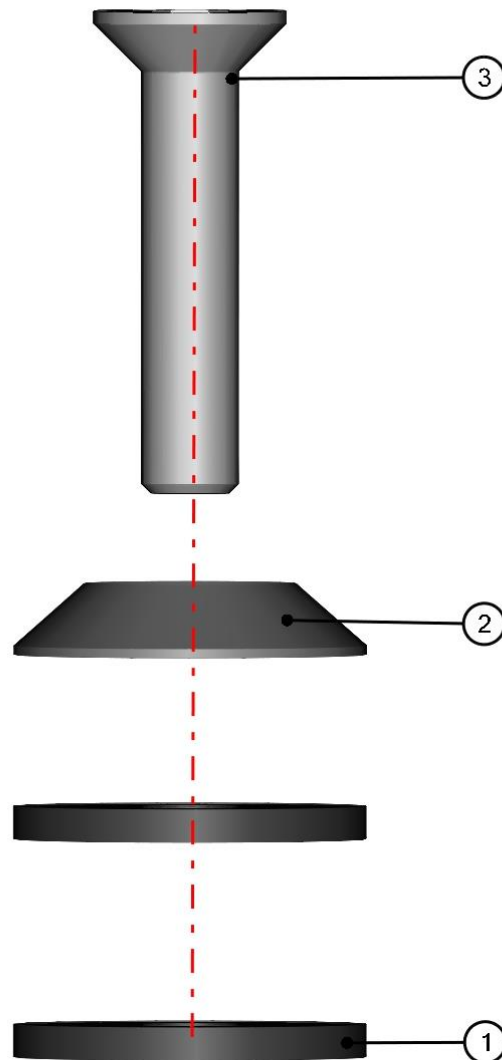
DOOR HANDLE ASSEMBLY



36

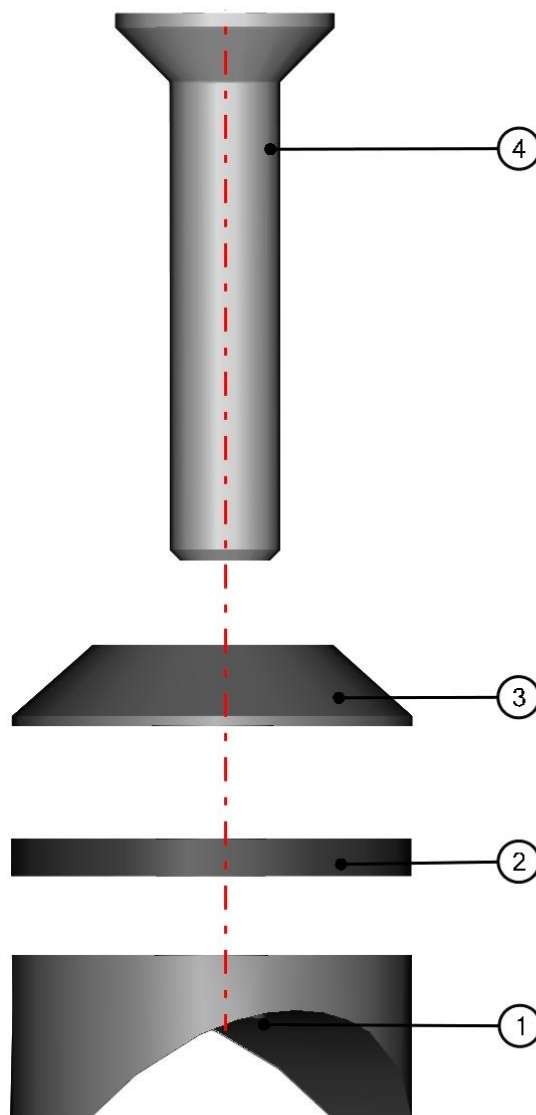
ID	Catalogue no.	Description	Qty
1	001706	DOOR HANDLE SCREW COVER	2
2	001391	SELF-CUTTING SCREW 4,8 x 16	1
3	001426	WASHER 6	2
4	004246	SCREW M5x20	1
5	001703	DOOR HANDLE	1

FRAME FIXING ASSEMBLY



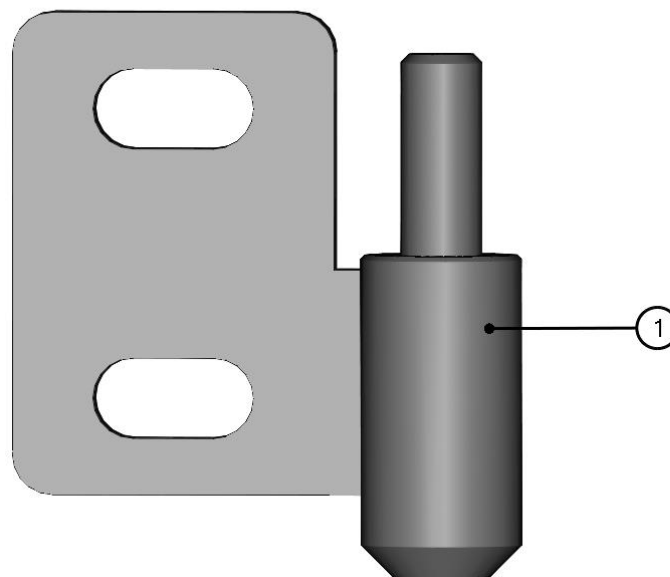
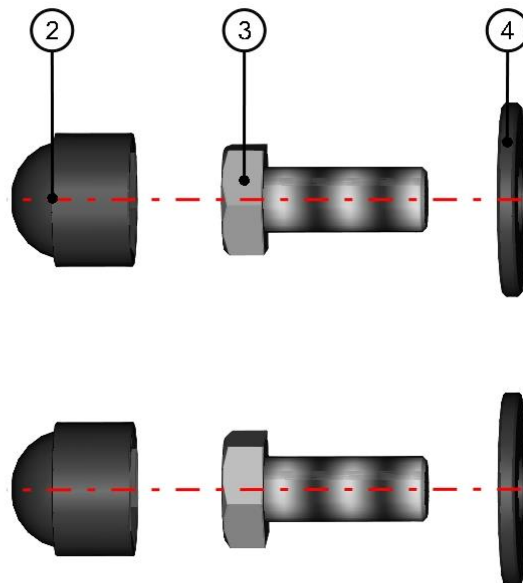
ID	Catalogue no.	Description	Qty
1	001735	RUBBER WASHER	2
2	001715	PLASTIC WASHER	1
3	001701	SCREW M6x30	1

POLYCARBONATE FIXING ASSEMBLY



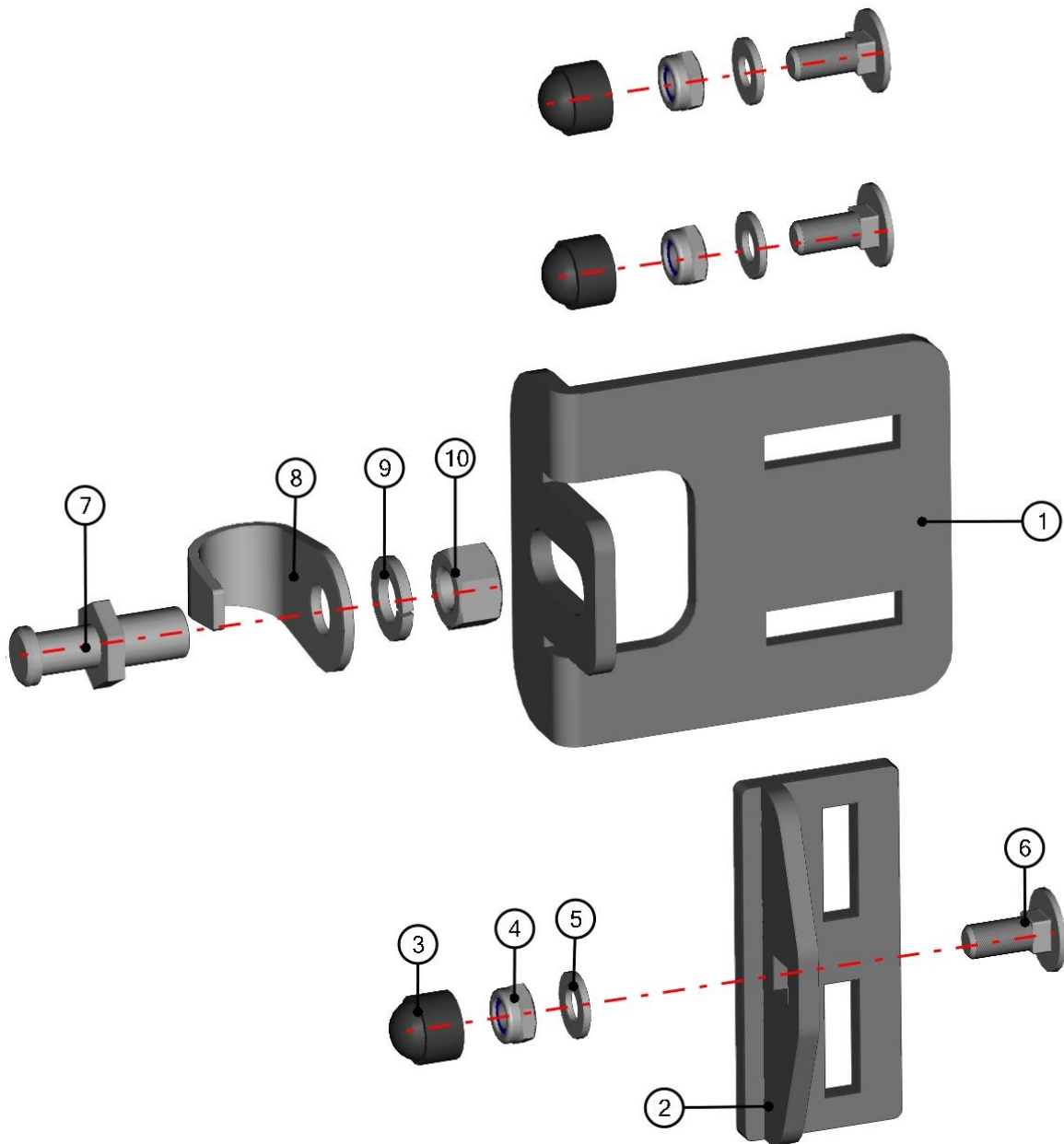
ID	Catalogue no.	Description	Qty
1	001736	SADDLE WASHER	1
2	001735	RUBBER WASHER	1
3	001715	PLASTIC WASHER	1
4	001701	SCREW M6x30	1

LEFT DOOR HINGE ASSEMBLY



ID	Catalogue no.	Description	Qty
1	37S03U01-40W005	LEFT DOOR HINGE WELDED	1
2	001309	PLASTIC NUT COVER OK 13	2
3	001437	SCREW M8x20	2
4	003322	RIVET WASHER 8	2

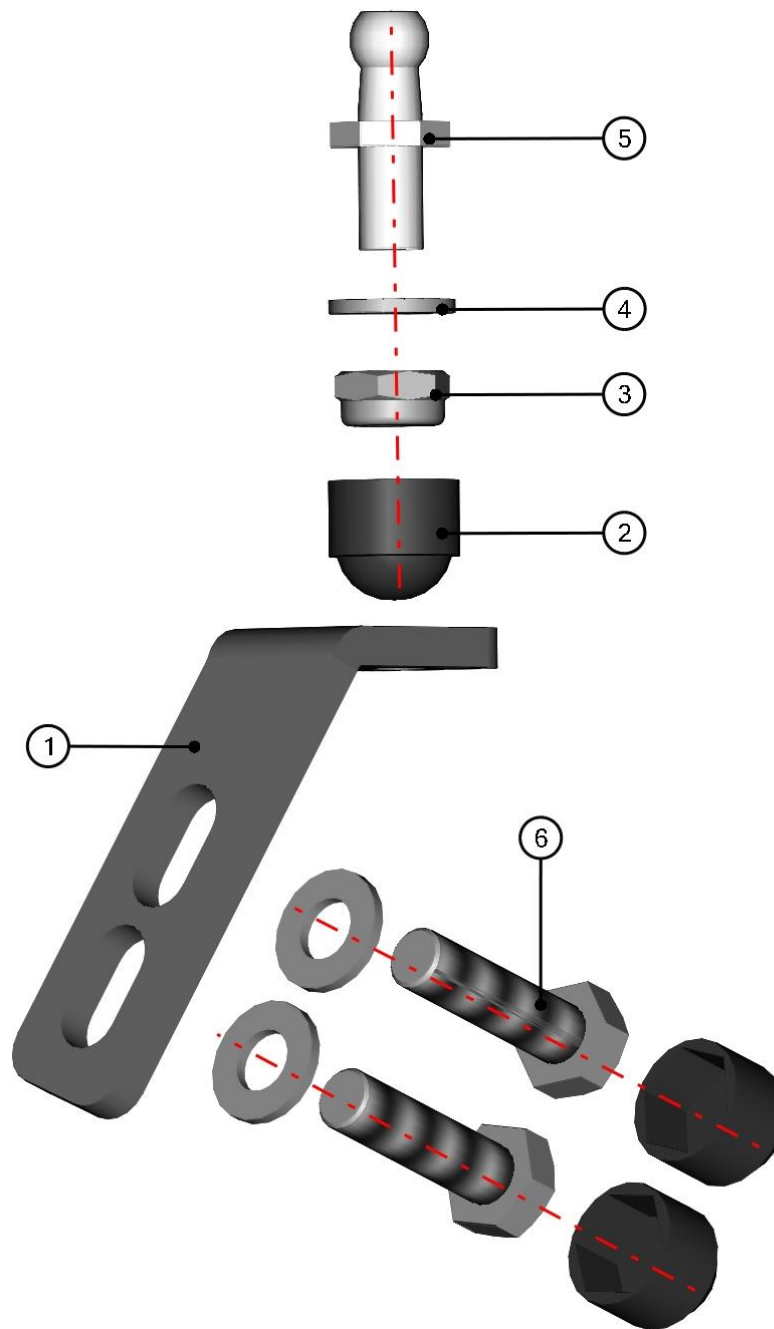
DOOR STOP ASSEMBLY



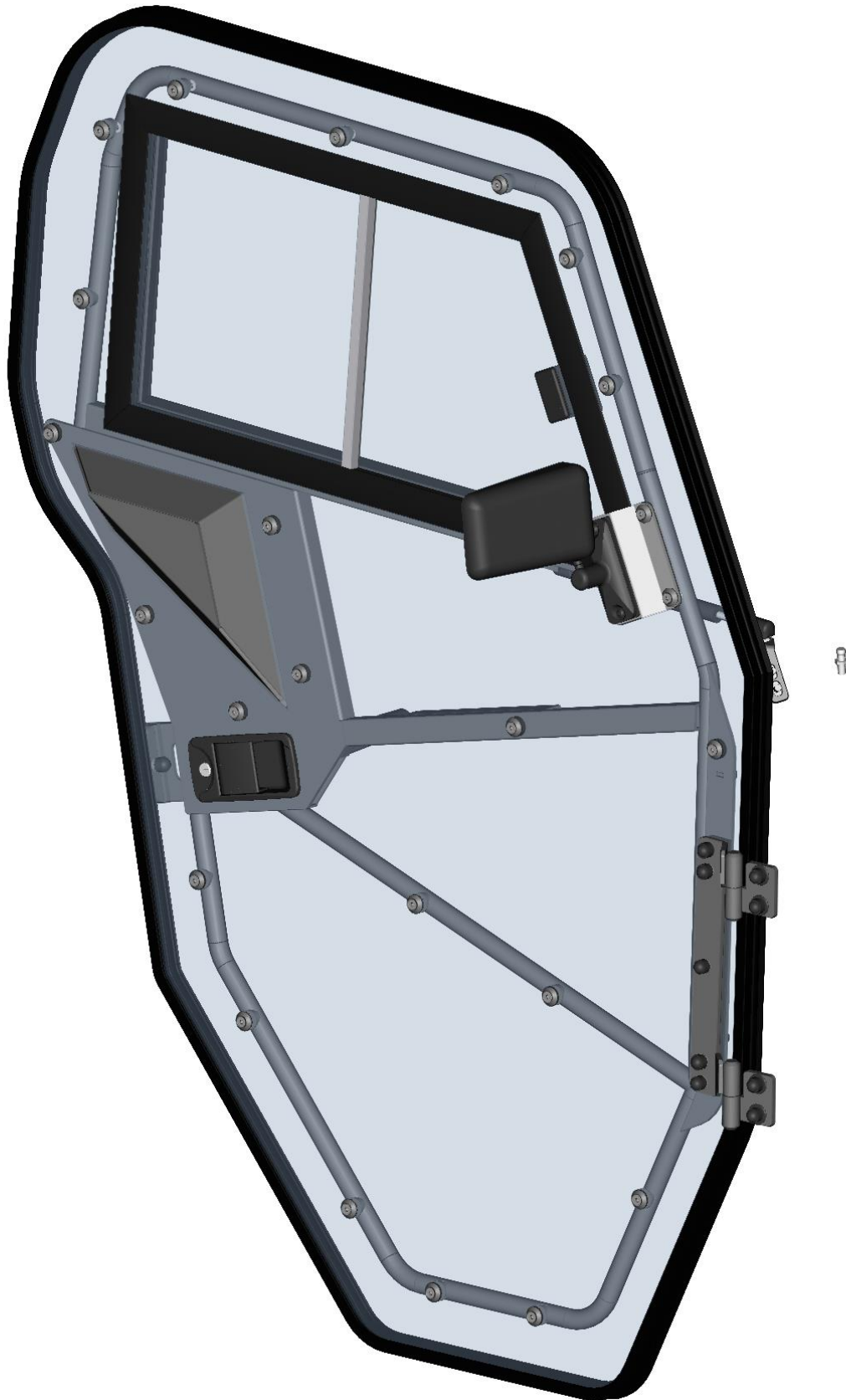
40

ID	Catalogue no.	Description	Qty
1	37S03U01-40-018	LEFT DOOR STOP HOLDER	1
2	37S03U01-40W004	LEFT DOOR STOP HOLDER WELDED	1
3	001309	PLASTIC NUT COVER OK 13	3
4	001388	SELF-LOCKING NUT M8	3
5	001387	WASHER 8	3
6	002575	SCREW M8x20	3
7	000854	DOOR STOP PIN	1
8	000855	DOOR STOP HOOK	1
9	000857	DOOR STOP WASHER	1
10	000856	DOOR STOP NUT	1

LEFT DOOR GAS SPRING HOLDER ASSEMBLY

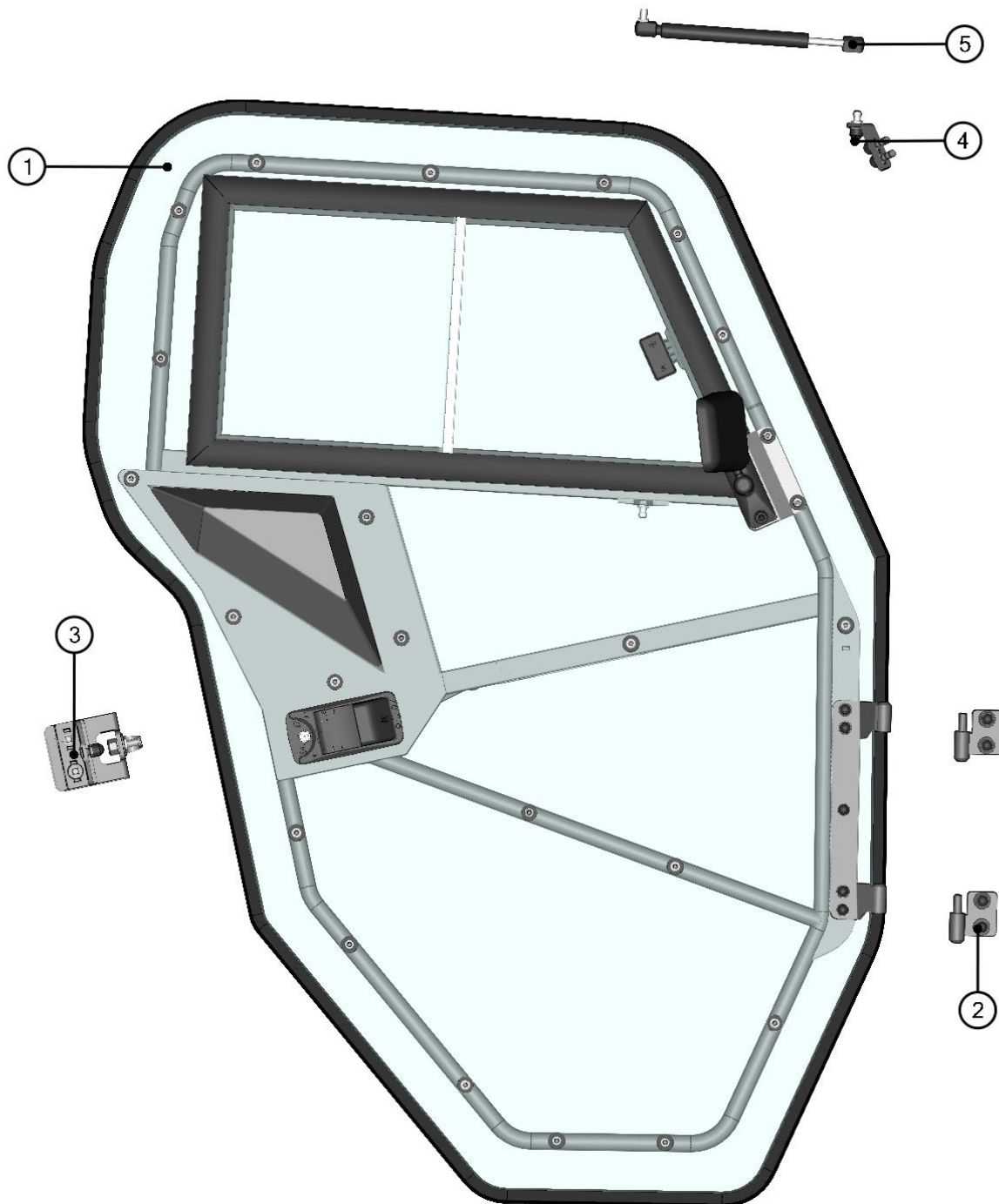


ID	Catalogue no.	Description	Qty
1	37S03U01-40-026	LEFT DOOR GAS SPRING HOLDER	1
2	001309	PLASTIC NUT COVER OK 13	3
3	001388	SELF-LOCKING NUT M8	1
4	001387	WASHER 8	3
5	001856	GAS SPRING PIN	1
6	001411	SCREW M8x30	2

RIGHT DOOR

42

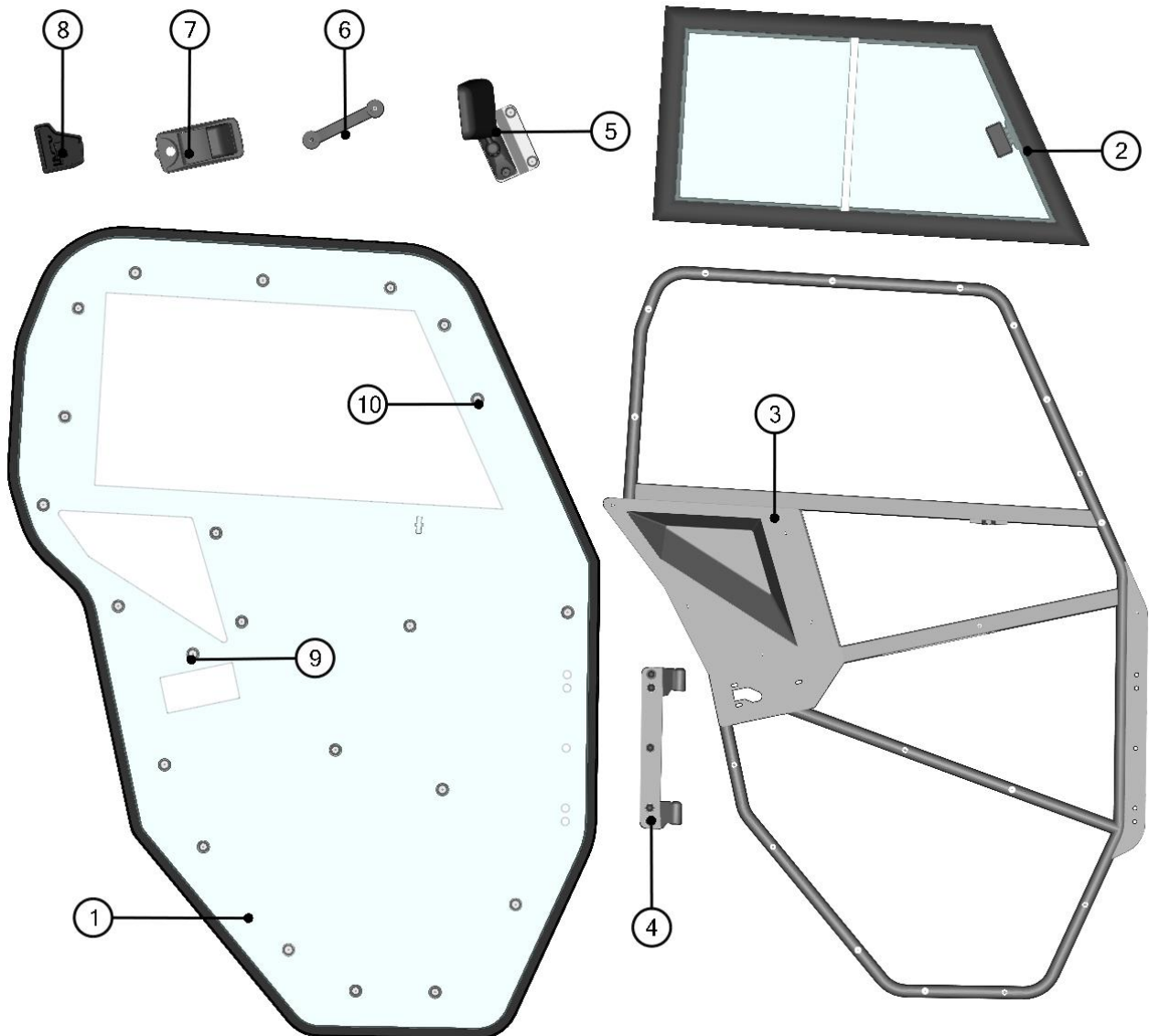
RIGHT DOOR ASSEMBLIES



43

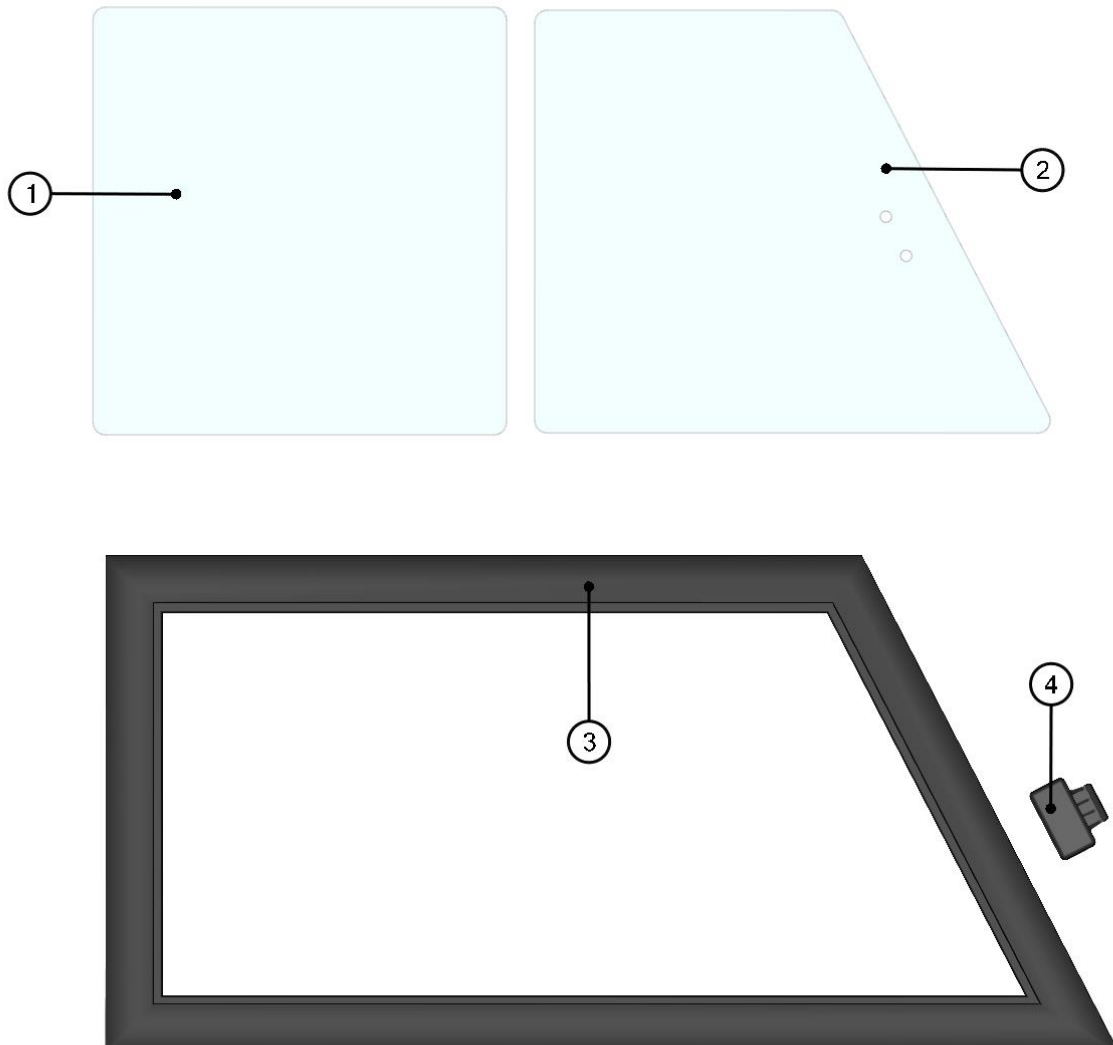
ID	Catalogue no.	Description	Qty
1	37S03U01-50M001	RIGHT DOOR PANEL ASSEMBLY	1
2	37S03U01-50M007	RIGHT DOOR HINGE ASSEMBLY	2
3	37S03U01-40M003	RIGHT DOOR STOP ASSEMBLY	1
4	37S03U01-50M008	RIGHT DOOR GAS SPRING HOLDER ASSEMBLY	1
5	000865	DOOR GAS SPRING	1

RIGHT DOOR PANEL ASSEMBLY



ID	Catalogue no.	Description	Qty
1	37S03U01-50M004	RIGHT DOOR POLYCARBONATE WITH SEALING	1
2	37S03U01-50M002	RIGHT WINDOW ASSEMBLY	1
3	37S03U01-50W001	RIGHT DOOR FRAME WELDED	1
4	37S03U01-50M005	RIGHT DOOR HINGES LEDGE ASSEMBLY	1
5	00-109U-M004	RIGHT REAR VIEW MIRROR	1
6	00-40M018	DOOR HANDLE ASSEMBLY	1
7	000841	OUTER DOOR LOCK	1
8	00-40M024	RIGHT INNER DOOR LOCK	1
9	00-00M020	FRAME FIXING ASSEMBLY	7
10	00-00M019	POLYCARBONATE FIXING ASSEMBLY	15

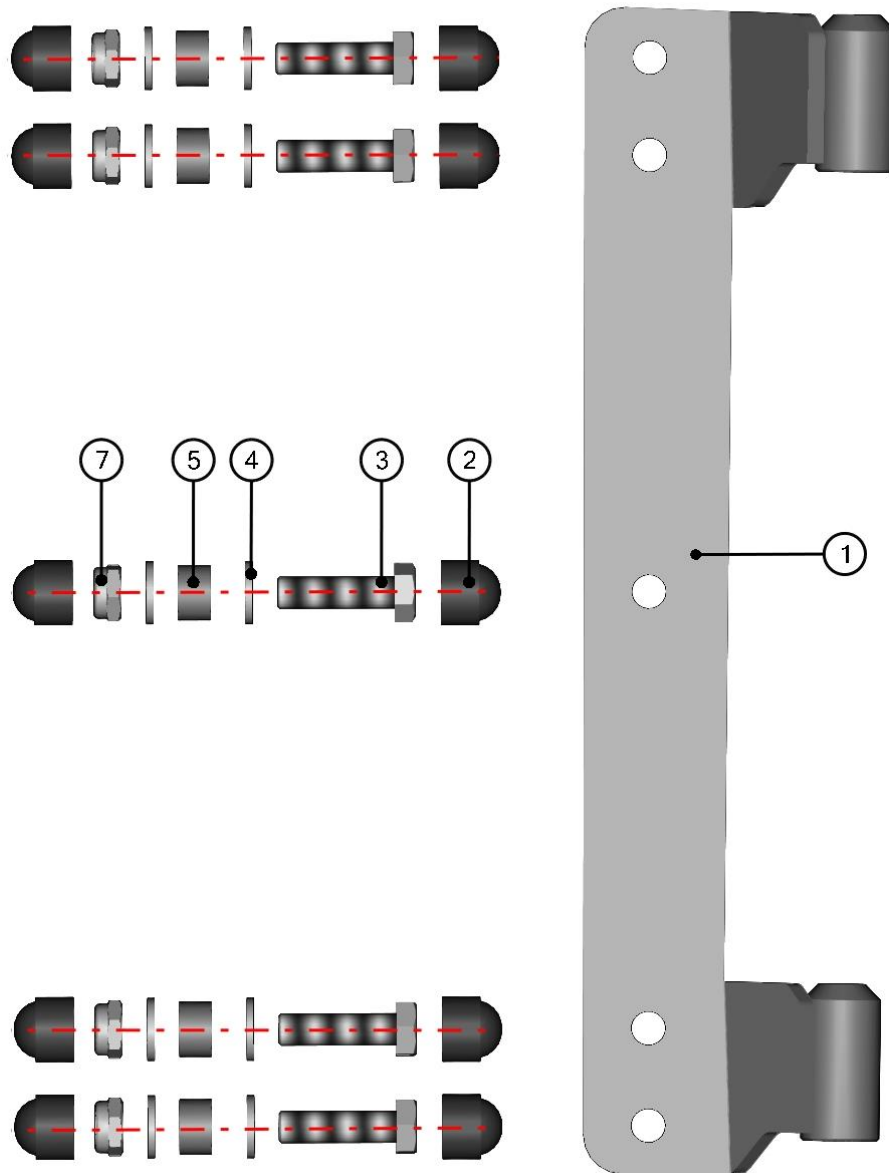
RIGHT WINDOW ASSEMBLY



45

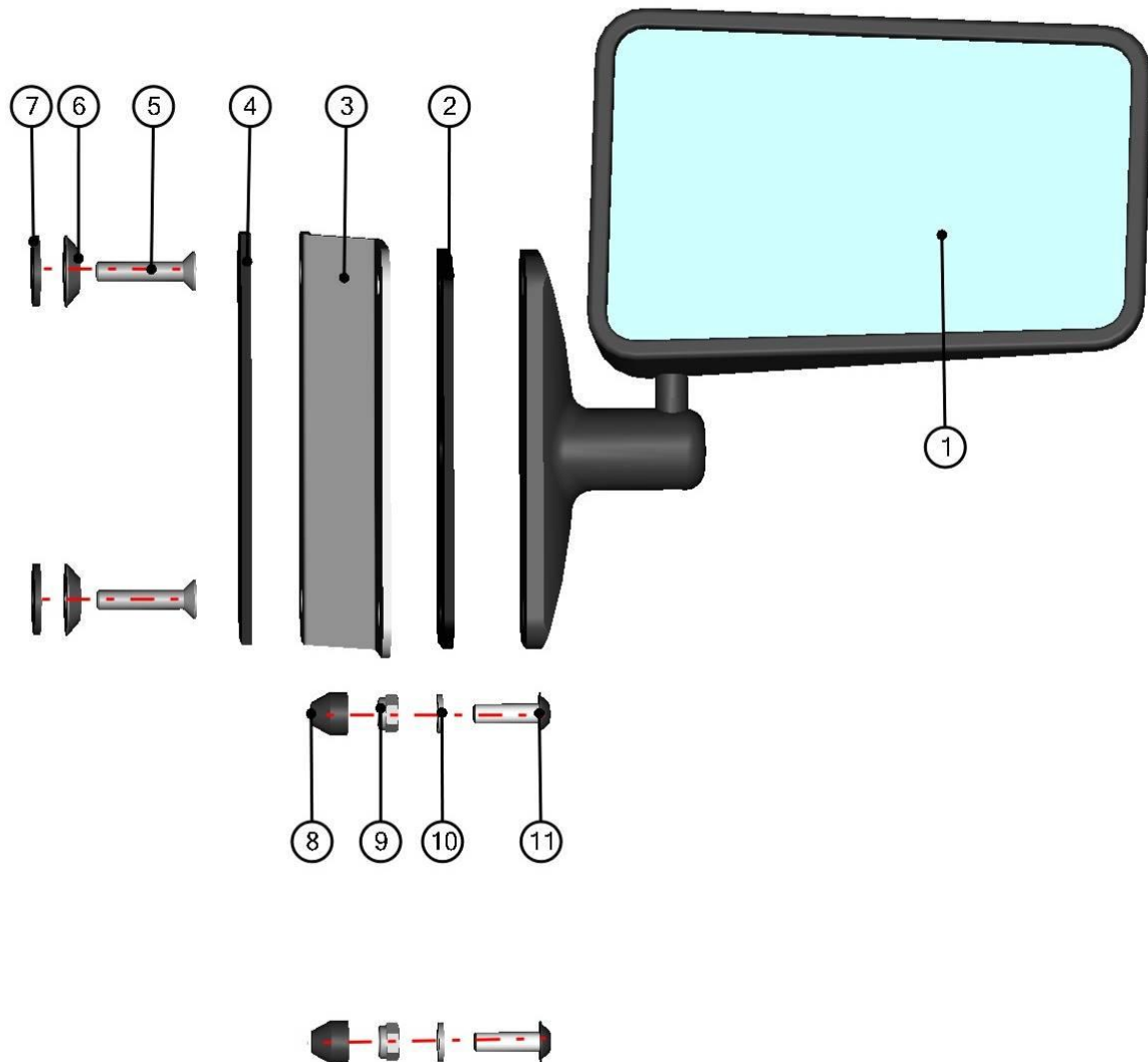
ID	Catalogue no.	Description	Qty
1	37S03U01-40-003	WINDOW GLASS SOLID	1
2	37S03U01-40-002	WINDOW GLASS MOVABLE	1
3	37S03U01-50-004	LEFT WIDOW FRAME	1
4	00-40M008	WINDOW LOCK	1
5	001762	WINDOW STOP	1

RIGHT DOOR HINGES LEDGE ASSEMBLY



ID	Catalogue no.	Description	Qty
1	37S03U01-50W002	RIGHT DOOR HINGES LEDGE WELDED	1
2	001309	PLASTIC NUT COVER OK 13	10
3	001411	SCREW M8x30	5
4	001387	WASHER 8	10
5	005733	DISTANCE TUBE	5
7	001388	SELF-LOCKING NUT M8	5

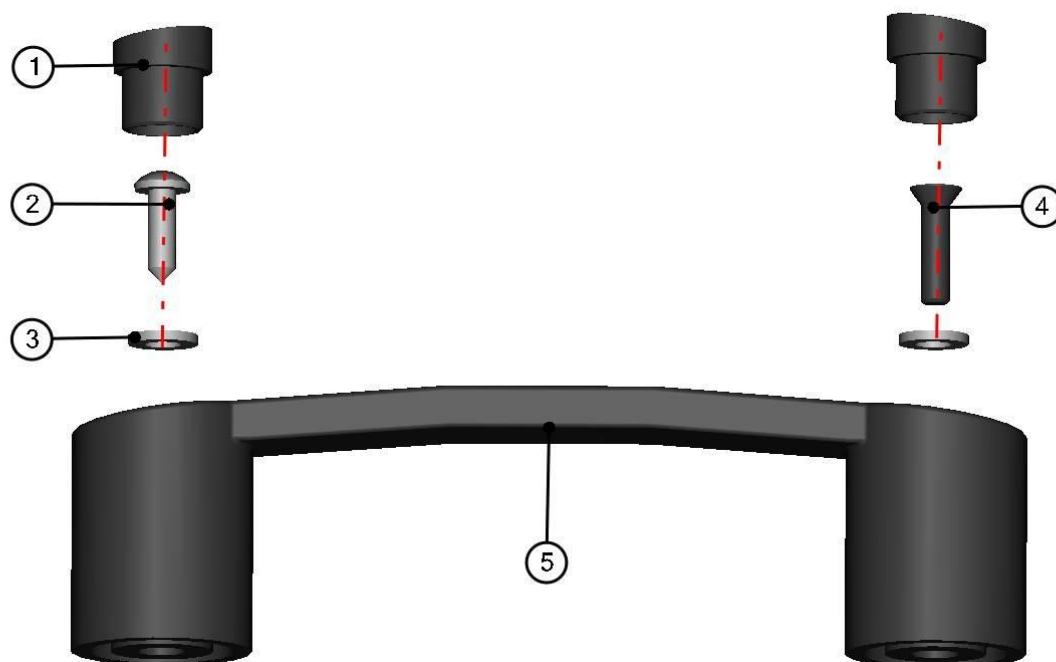
RIGHT REAR VIEW MIRROR ASSEMBLY



47

ID	Catalogue no.	Description	Qty
1	002774	RIGHT REAR VIEW MIRROR	1
2	00-109U-001	REAR VIEW MIRROR RUBBER WASHER	1
3	00-109U-002	REAR VIEW MIRROR HOLDER	1
4	001420^00-109U-M004	REAR VIEW MIRROR HOLDER RUBBER SEALING	1
5	001701	SCREW M6x30	2
6	001715	PLASTIC WASHER	2
7	001735	RUBBER WASHER "EPDM"	2
8	001348	PLASTIC NUT COVER OK 10	2
9	001392	SELF-LOCKING NUT M6	2
10	001426	WASHER 6	2
11	001723	SCREW M6x20	2

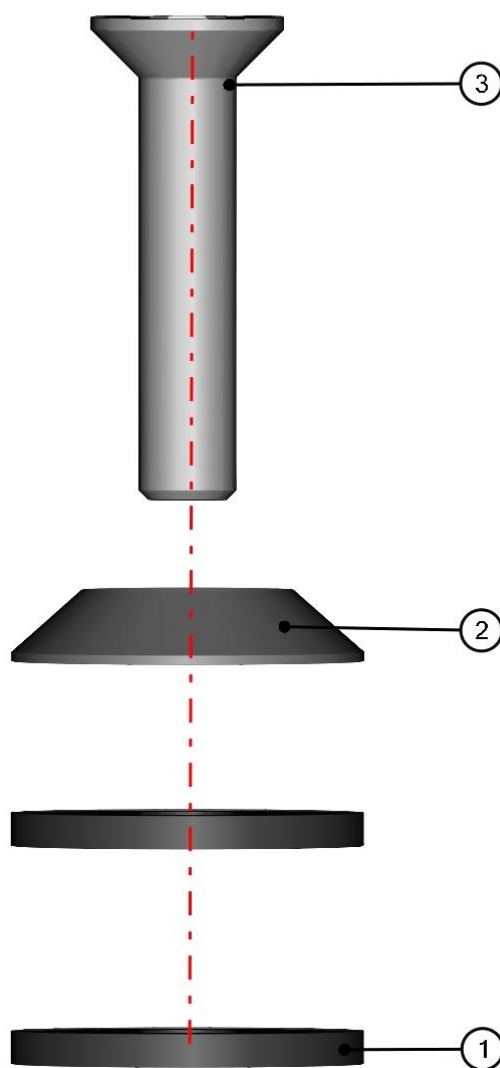
DOOR HANDLE ASSEMBLY



48

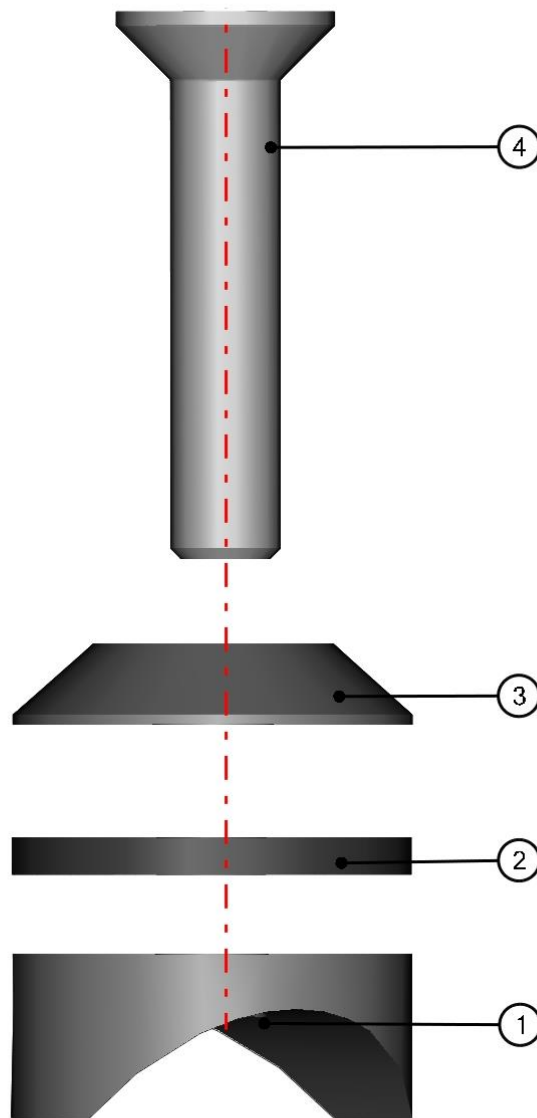
ID	Catalogue no.	Description	Qty
1	001706	DOOR HANDLE SCREW COVER	2
2	001391	SELF-CUTTING SCREW 4,8 x 16	1
3	001426	WASHER 6	2
4	004246	SCREW M5x20	1
5	001703	DOOR HANDLE	1

FRAME FIXING ASSEMBLY



ID	Catalogue no.	Description	Qty
1	001735	RUBBER WASHER	2
2	001715	PLASTIC WASHER	1
3	001701	SCREW M6x30	1

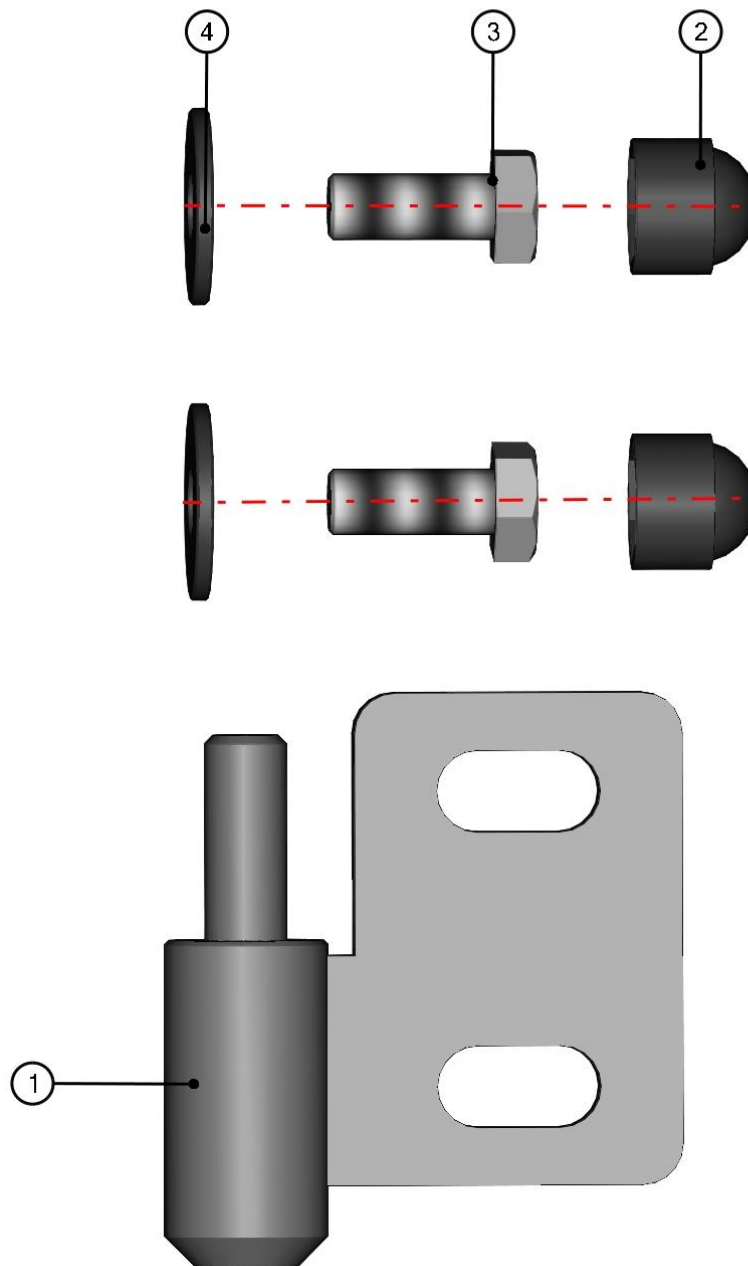
POLYCARBONATE FIXING ASSEMBLY



50

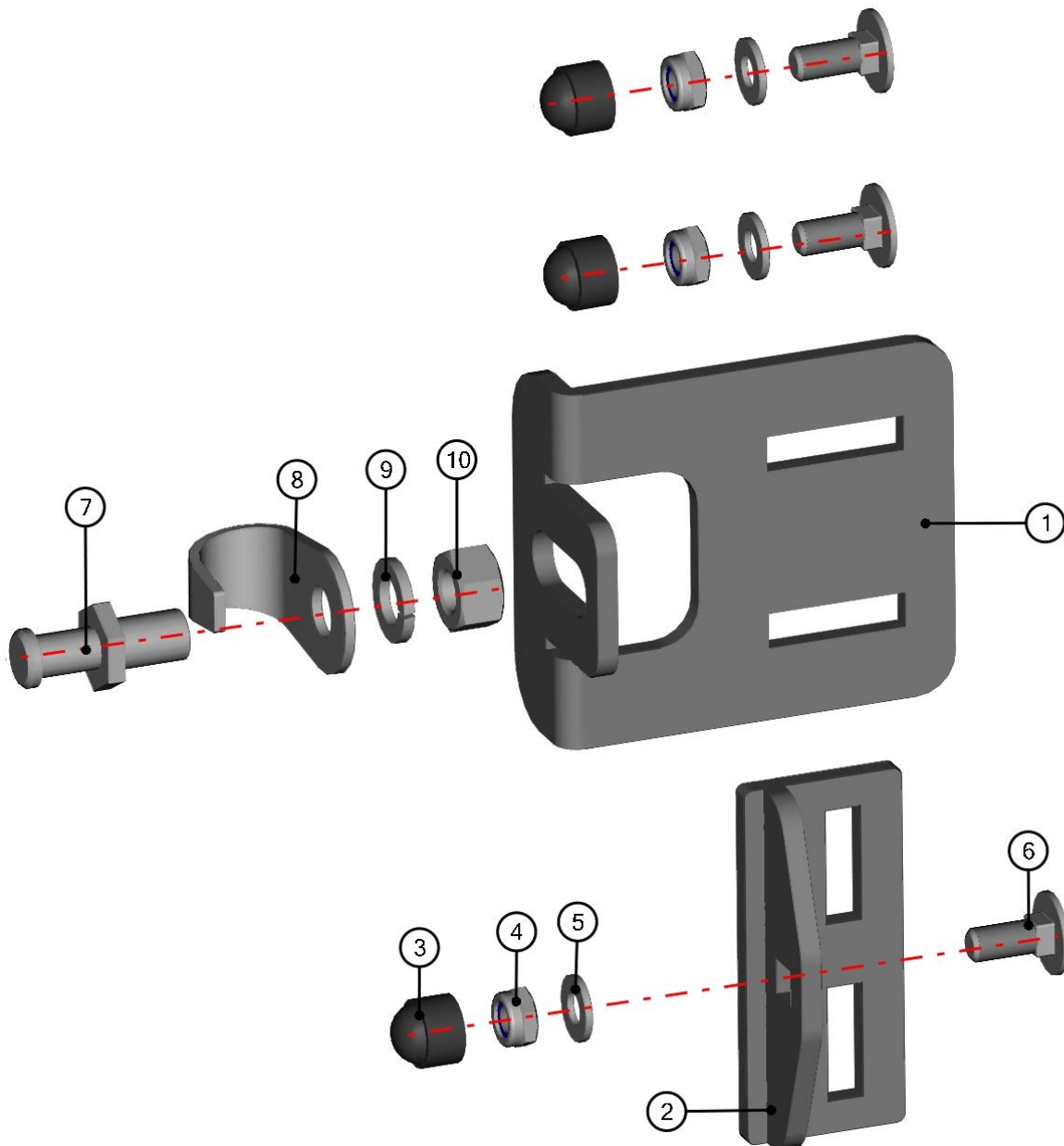
ID	Catalogue no.	Description	Qty
1	001736	SADDLE WASHER	1
2	001735	RUBBER WASHER	1
3	001715	PLASTIC WASHER	1
4	001701	SCREW M6x30	1

RIGHT DOOR HINGE ASSEMBLY



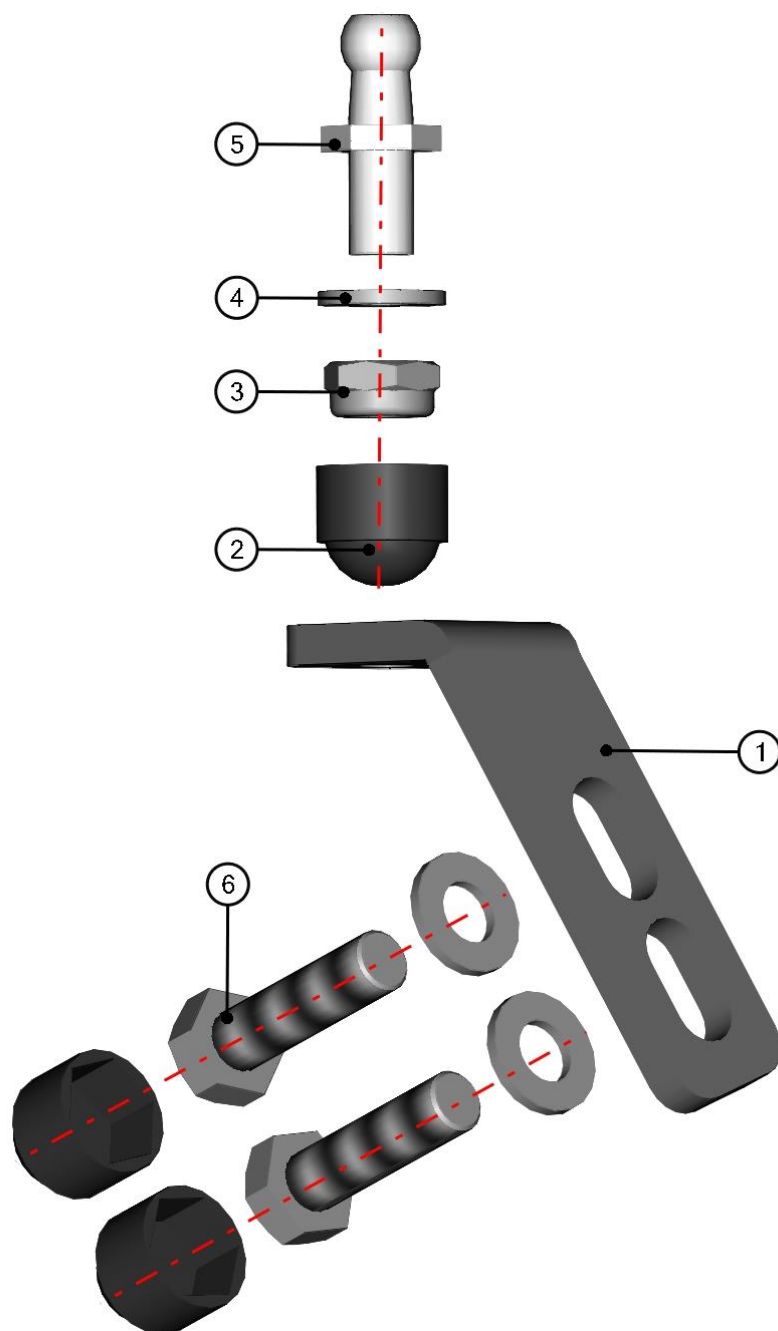
ID	Catalogue no.	Description	Qty
1	37S03U01-50W005	RIGHT DOOR HINGE WELDED	1
2	001309	PLASTIC NUT COVER OK 13	2
3	001437	SCREW M8x20	2
4	003322	RIVER WASHER 8	2

DOOR STOP ASSEMBLY



ID	Catalogue no.	Description	Qty
1	37S03U01-40-018	LEFT DOOR STOP HOLDER	1
2	37S03U01-40W004	LEFT DOOR STOP HOLDER WELDED	1
3	001309	PLASTIC NUT COVER OK 13	3
4	001388	SELF-LOCKING NUT M8	3
5	001387	WASHER 8	3
6	002575	SCREW M8x20	3
7	000854	DOOR STOP PIN	1
8	000855	DOOR STOP HOOK	1
9	000857	DOOR STOP WASHER	1
10	000856	DOOR STOP NUT	1

RIGHT DOOR GAS SPRING HOLDER ASSEMBLY












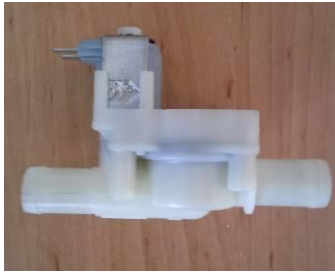




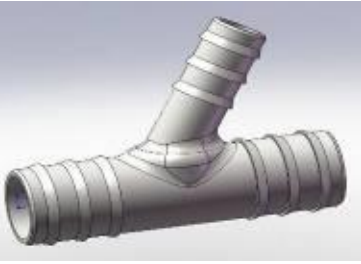


ID	Catalogue no.	Description	Qty
1	37S03U01-50-026	RIGHT DOOR GAS SPRING HOLDER	1
2	001309	PLASTIC NUT COVER OK 13	3
3	001388	SELF-LOCKING NUT M8	1
4	001387	WASHER 8	3
5	001856	GAS SPRING PIN	1
6	001411	SCREW M8x30	2

ELECTROINSTALLATION

Position	Catalogue no.	Description	Qty
1	004322	SWITCH WIPER /WASHER /OFF	1
2	000885	WASHER TANK	1
3	001576	WASHER MOTOR	1
4	41S04U04-03M001	WASHER HARNESS	1
5	50S02U01-03M001	WASHER HARNESS	1
6	005611	WIPER MOTOR 12V	1
7	41S04U04-01M003	WIPER HARNESS	1
8	41S04U04-01M001	WIPER MOTOR + CONTROL PANEL ASSEMBLY	1
9	58S03U01-02M008	HEATER HARNESS	1
10	002471	WATER PUMP	1
11	002386	ELECTROMAGNETIC VALVE	1
12	002524	TIGHTENING STRAP 16-27 MM	6
13	002491	AIR VENT VALVE	1
14	001368	TIGHTENING STRAP 40-60 MM	4
15	002053	TIGHTENING STRAP 25-40 MM	6
16	002502	HEATER TUBE "Y"	2
17	002391	VALVE SWITCH	1
18	002705	AL TAPE	1
19	002702	VENTILATOR SWITCH	1
20	58S03U01-02M008	HEATER HARNESS	1
21	005879	HEATER	1
22	002795	AIR HOSE	1
23	000896	WATER HOSE	1

54

		
<p>Position : 1 Catalogue no.: 004322</p>	<p>Position : 2 Catalogue no.: 000885</p>	<p>Position : 3 Catalogue no.: 001576</p>
		
<p>Position : 4 Catalogue no.: 41S04U04-03M001</p>	<p>Position : 5 Catalogue no.: 006123</p>	<p>Position : 6 Catalogue no.: 005611</p>
		
<p>Position : 7 Catalogue no.: 50S02U02-01M001</p>	<p>Position : 8 Catalogue no.: 41S04U04-01M001</p>	<p>Position : 9 Catalogue no.: 58S03U01-02M008</p>

		
<p>Position : 10 Catalogue no.: 002471</p>	<p>Position : 11 Catalogue no.: 002386</p>	<p>Position : 12 Catalogue no.: 002524</p>
		
<p>Position : 13 Catalogue no.: 002491</p>	<p>Position : 14 Catalogue no.: 001368</p>	<p>Position : 15 Catalogue no.: 002643</p>
		
<p>Position : 16 Catalogue no.: 002502</p>	<p>Position : 17 Catalogue no.: 002391</p>	<p>Position : 18 Catalogue no.: 002705</p>



Position : 19

Position : 20

Position : 21

Catalogue no.: 002702

Catalogue no.: 58S03U01-02M008

Catalogue no.: 005879



Position : 22

Position : 23

Catalogue no.: 002795

Catalogue no.: 000896

57