



The **GDS range** is capable of spreading all types of material including wet rock salt, grit and sand and has a range of application rates between 5 – 80 grams/sq metre.

Spreading widths of between 1.5 – 10 metres with the standard gearbox and 3 – 14 metres with the high speed gearbox are possible. Application rates can be selected to suit most precautionary and remedial treatments.

A unique agitation system and conveyor floor ensures wet or dry material can be spread effectively and accurately. Working speeds of up to 15mph and road speeds between sites of up to 30mph, mean areas can be covered quickly and efficiently.

Simplicity of design and operation with minimal maintenance, together with options of finish including stainless steel ensure a trouble free and long life.



The **LDS120DS** Dry Salt spreader is ideal for smaller commercial sites or private use where a larger capacity machine can not be justified. This model offers a basic spreading capability and is only suitable for bagged, dry, white de-icing salt. (not suitable for contracting) The **LDS120DS** can be towed by any suitable light vehicle.

Logic, manufacturers of equipment for the municipal, agricultural, gamekeeping and equestrian industries since 1981 have developed a range of versatile products which give practical solutions to many everyday tasks. Easy to use and maintain, all Logic equipment is designed and built to high quality standards.

The **GDS Range** of ground driven multi-spreaders has been designed for use behind a whole range of light commercial vehicles. This means a specialist vehicle is not required or tied up just for spreading salt.



The **GDS range** is ideal for use on car parks and roadways in areas such as; industrial sites, shopping centres, hospitals, housing, schools, etc and with its minimal spread width and offset spreading facility also makes it ideal for working in confined areas such as walkways, footpaths and cycleways.



The GDS range can be fitted with optional flotation wheels for spreading sand or lime on delicate grass areas such as sports pitches, golf courses, lawns etc.

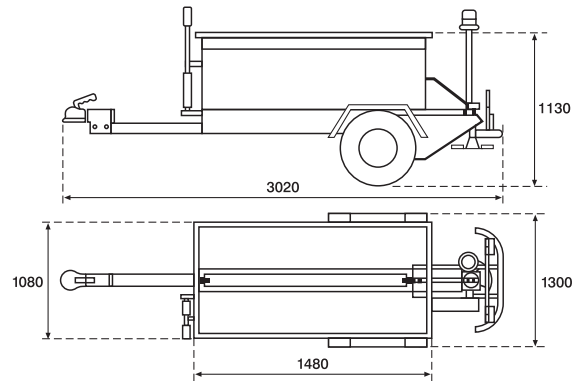
GDS200 SALT & SAND SPREADER

EXAMPLE SPREADING RATES

(Based on 500kg of Dry Salt)

Application Rate	Distance Travelled on Footpaths	Distance Travelled on Roads	Total Area
Grams/Sq. Metre	Approx. 1.5m Spread width	Approx. 6m Spread width	Square Metres
10	33,333 M (20.7 miles)	8,333 M (5.18 miles)	50,000
20	16,666 M (10.35 miles)	4,166 M (2.59 miles)	25,000
50	6,666 M (4.14 miles)	1,666 M (1.04 miles)	10,000
80	4,166 M (2.59 miles)	1,041 M (0.65 miles)	6,250

	Road Specification	Off-Road Specification
Hopper Capacity	465 litres	465 litres
Carrying Capacity	Approx 500kg dry salt	Approx 500kg dry salt
Wheel Size	195/60 R14	27 x 7-14 Lug Tread
Offset Spreading	Yes - Left or Right	Yes - Left or Right
Hopper Metal Thickness	2mm	2mm
Drive Engagement	Hand Lever	Hand Lever
Towing Hitch	50mm Swivel Coupling	50mm Swivel Coupling
Mudguards	Standard	N/A
Lights	Standard	N/A
Unladen Weight (Stainless)	298kg	279kg
Unladen Weight (Painted)	306kg	287kg



Dimensions based on road specification models.

SPECIFICATION OPTIONS

Finish

- Stainless steel hopper and peripheral components
- Painted hopper and plated peripheral components
- Stainless steel spreading disc
- Stainless steel spreading disc
- Painted parts have a zinc base coat plus 2 pack enamel top coat
- Painted parts have a zinc base coat plus 2 pack enamel top coat

Gearbox options

- Standard 1.5 – 10m spread width*
- High speed 3 – 14m spread width* (please specify this option when ordering)

Options for all models

- GDS106 Flashing Beacon
- GDS108 Tonneau Cover c/w Support
- WT811 25 x 10-12 Flotation Wheels

Towing Hitch Options of Clevis Hitch or 30, 40 or 50mm Ring Hitch (other hitches available on request)

*Spread width quoted is based on dry rock salt, spread width may vary according to moisture content and material type.



LDS120DS SALT SPREADER

- Suitable for domestic or smaller commercial sites
- Spreads bagged, dry, white de-icing salt only**
- 120 litre capacity hopper
- Spread widths of 8-12 metres at between 3 and 12mph

**Will not spread rock salt or sand.

Contact Logic for further information on suitability for your specific application.

For further details please telephone our sales departments, visit our website at www.logic.gb.com or e-mail: sales@logic.gb.com

LOGIC

NORTH & EXPORT

LOGIC MFG LTD - Foundry Industrial Estate
 Bridge End, Hexham, NE46 4JL
 Tel: 01434 606661 Fax: 01434 608143
 e-mail: sales@logic.gb.com web:www.logic.gb.com

SOUTH

LOGIC MH LTD - New Whiteway Works, Fossecross Industrial Estate
 Chedworth, Cheltenham, Gloucestershire GL54 4NW
 Tel: 01285 720930 Fax: 01285 720840
 e-mail: sales@logic.gb.com web:www.logic.gb.com