



**AMERICAN
SPORTWORKS®**

800-643-7332 • amsportworks.com

LM48V / LMLSV

WITH 48 VOLT ELECTRIC MOTOR



unit shown with optional accessories



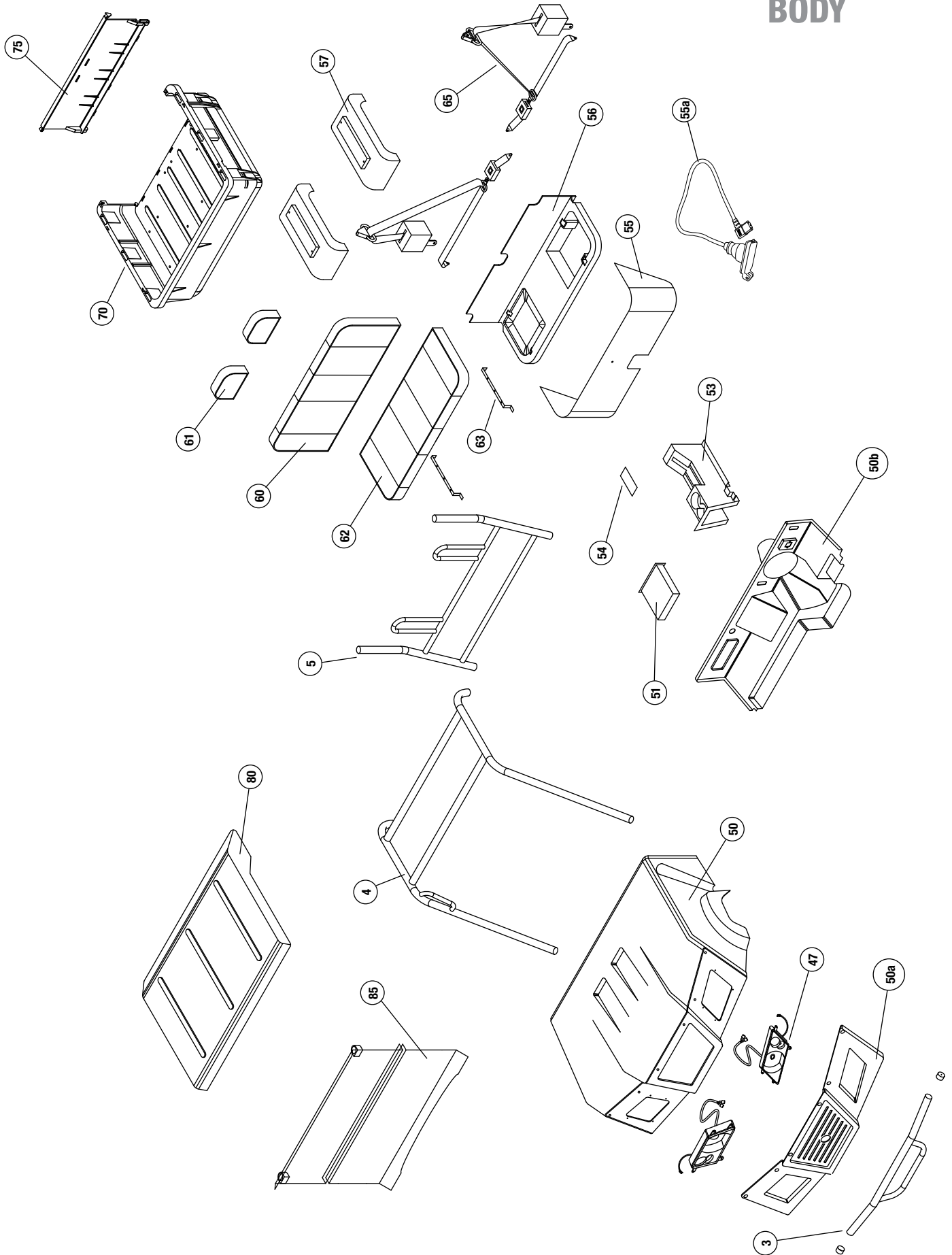
NOTE:

Some part numbers vary by serial number.
The serial number is located on a brass tag
beneath the dump bed on the driver side.

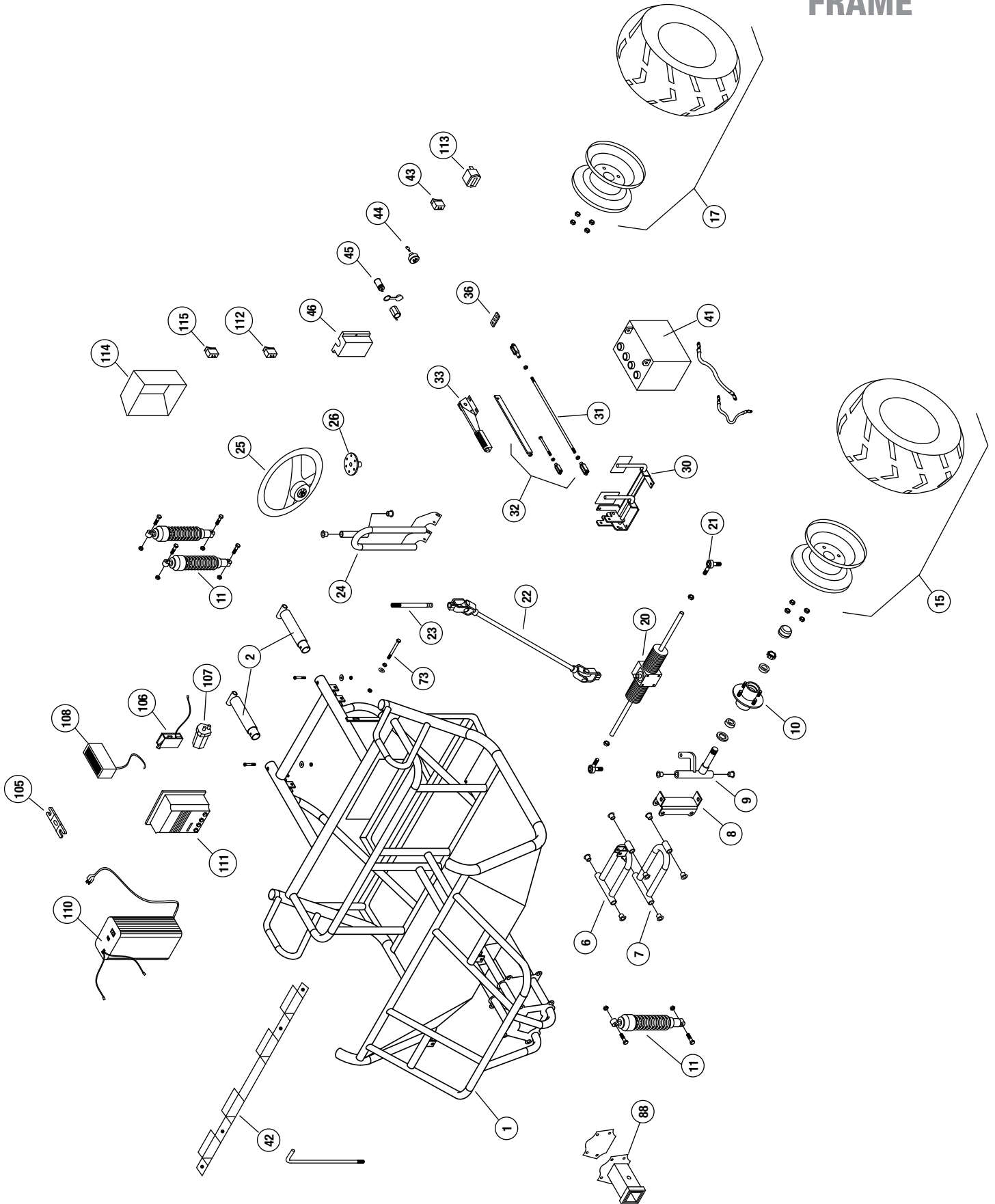
pub. 07/22/2016

48 VOLT 2 WHEEL DRIVE UTILITY VEHICLE

ILLUSTRATED PARTS LIST

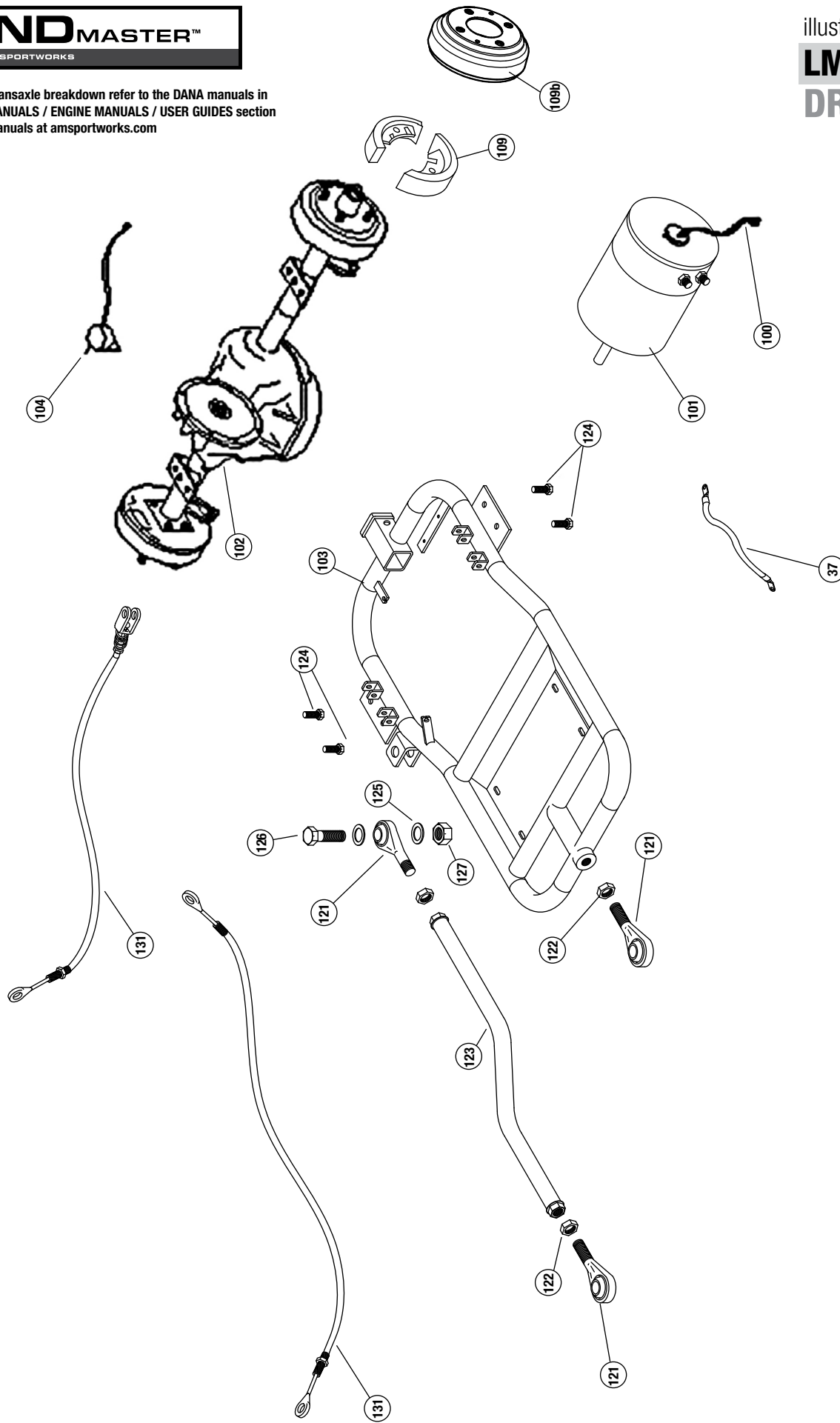


NOTE: parts denoted as left or right hand are from driver's point of view.



NOTE: parts denoted as left or right hand are from driver's point of view.

For complete transaxle breakdown refer to the DANA manuals in the SERVICE MANUALS / ENGINE MANUALS / USER GUIDES section of the online manuals at amsportworks.com



REFERENCE NUMBER	PART NUMBER	PART DESCRIPTION	QUANTITY REQUIRED
1	-	Frame, LM48V	1
2	2-45401	Rear frame stub, CW - black	2
-	2-50168	5/16 x 2-1/4" USS Socket Head bolt	2
-	2-50007	nut, 5/16 nylock	2
-	2-50702	bent washer 5/16	2
3	2-45439	Landmaster Front Bumper	1
-	2-50167	bolt, 5/16 x 2	4
-	2-50007	nut, 5/16 nylock	4
-	2-50702	bent washer 5/16	4
-	2-70210	1.75" Round Tubing Plug	2
4	2-45412	Brush Guard roof, CW – black	1
-	2-50168	5/16 x 2-1/4" USS Socket Head bolt	4
-	2-50007	nut, 5/16 nylock	4
-	2-50702	bent washer 5/16	4
5	2-45411	brshgrd seat back, CW – black	1
-	2-50168	5/16 x 2" USS Socket Head bolt	2
-	2-50007	nut, 5/16 nylock	2
-	2-50702	bent washer 5/16	2
6	2-45404	A-arm upper, CW – black (left or right)	2
-	2-51102	suspension bushings	4 ea
-	2-50097	bolt, 3/8 x 8.5"	1 ea
-	2-50221	Bolt, 3/8 x 3.25 bolt	2 ea
-	2-10048	DOM 3/8" ID x 2.2"	2 ea
-	2-50010	Nylock Nut 3/8"-16	2 ea
-	2-50225	Bolt, 3/8" x 8"	2 ea
7	2-45405	A-arm Lower, CW – black (left or right)	2
-	2-51102	suspension bushings	4 ea
-	2-50097	bolt, 3/8 x 8.5"	1 ea
-	2-50221	Bolt, 3/8 x 3.25 bolt	2 ea
-	2-10048	DOM 3/8" ID x 2.2"	2 ea
-	2-50010	Nylock Nut 3/8"-16	2 ea
-	2-50225	Bolt, 3/8" x 8"	2 ea
8	2-45408	spindle mount, CW – black	2
9a	2-45406	Spindle, cw left – black	1
9b	2-45407	Spindle, cw right – black	1
-	2-51102	suspension bushings	2 ea
-	2-10049	DOM 3/8" ID x 7.5"	2 ea
10	2-30604	Hub, 4 bolt high speed 1" Complete with Bearings & Seals	2
-	2-25018	Wheel stud, 1/2 -20 X 1 5/8"	
-	2-11205	bearing, 1" tapered	
-	2-30620	seal	
-	2-30622	castle nut, 1"	
-	2-30621	cotter pin	
-	2-30623	Metal Dust Cap (Front Only)	2
-	2-70209	Rubber Dust Cap (Rear Only)	2
-	2-50060	Lug nuts, 1/2"	
11	2-70301	Shock, Heavy duty, Black/Yellow (Before Serial #52767)	6
-	2-70302	Shock, Heavy duty, Black (After Serial #52767)	
-	2-50400	Bolt, 10 mm x 40mm	12
-	2-50065	Nut, 10mm nylock	12

NOTE: parts denoted as left or right hand are from driver's point of view.

REFERENCE NUMBER	PART NUMBER	PART DESCRIPTION	QUANTITY REQUIRED
15L	2-30148	Rim/Tire Assembly, UTV 22/11-10" Left	1
15R	2-30148	Rim/Tire Assembly, UTV 22/11-10" Right	1
-	2-30480	Wheel rim, 10" x 6"	
-	2-30197	Tire, Terra Trac	
17L	2-30148	Rim/Tire Assembly, UTV 22/11-10" Left	1
17R	2-30148	Rim/Tire Assembly, UTV 22/11-10" Right	1
-	2-30480	Wheel rim, 10" x 6"	
-	2-30197	Tire, Terra Trac	
20	2-10521	Rack & pinion with rod ends	1
-	2-10593	Rack & Pinion Boots	2
-	N/A	Rack & Pinion Rod – Not available sold as assembly only (2-10521)	
-	2-50171	Bolt, 5/16 x 3 3/4" USS	4
-	2-50005	Nut, 5/16 keps	4
-	2-50063	Nut, 1/2" SAE nylock	2
21	2-10524	Rod end - use before serial #27214	2
-	2-10589	Rod end - use after serial #27213	2
-	2-50078	Nut, 1/2" SAE jam	2
22	2-10522	Steering Shaft w/u-joints	1
-	2-50402	Bolt, 10mm x 30mm	1
-	2-50066	Nut, 10mm Tri Lock Jam	1
-	2-50403	Bolt, 8mm x 30mm	1
-	2-50780	Lock washer, 8mm	1
23	2-10520	Steering Stub Shaft Landmaster Double Splined	1
24	2-45462	Steering support, LM – black	1
-	2-51102	suspension bushings	2 ea
-	2-50152	bolt, 5/16 x 1	4
-	2-50005	Nut, 5/16 keps	4
25	14845	Steering Wheel (used for serial number 48598 and above)	1
-	14846	Center cap (used for serial number 48598 and above)	1
-	2-10508	Center cap (used for serial number 48598 and below)	1
-	2-10509	Steering Wheel (used for serial number 48598 and below)	1
26	2-18169	Steering Washer	1
-	2-50636	Bolt, 1/4 x 3/4 SS Socket Head	6
-	2-50001	Nut, 1/4 Nylock	6
-	2-50098	Tapered Bolt	1
30	2-42106	Pivot Pedal Asm, Black	1
-	2-50152	bolt, 5/16 x 1	6
-	2-50159	bolt, 5/16 x 1 1/2	1
-	2-50005	Nut, 5/16 keps	8
-	2-50701	Washer, 5/16 flat	2
31	2-11181	Brake Rod, with clevis	1
-	2-50215	bolt, 3/8 x 1 1/4	1
-	2-50010	nut, 3/8" nylock	1
-	2-50801	cotter pin 1/8" x 1	1
32	2-45417	parking brake bar, CW – black	1
-	2-50806	Clevis, 5/16 rod end	1
-	2-50170	Bolt, 5/16"-24 X 4" SAE	1
-	2-50077	Nut, 5/16" Hex SAE	1
-	2-50087	bolt, 1/4" x 1	1
-	2-50001	nut, 1/4" nylock	1

NOTE: parts denoted as left or right hand are from driver's point of view.

REFERENCE NUMBER	PART NUMBER	PART DESCRIPTION	QUANTITY REQUIRED
33	2-11127	Parking Brake	1
-	2-50086	Bolt, ¼ x 1 ¼	1
-	2-50001	nut, ¼" nylock	1
-	2-50163	bolt, 5/16 x ¾" NC	4
-	2-50005	Nut, 5/16 keps	4
-	2-50701	Washer, 5/16 flat	4
36	2-45415	Brake equalizer, CW (2 ½") – black	1
-	2-50215	bolt, 3/8 x 1 ¼	2
-	2-50010	nut, 3/8" ny-lock	2
37	2-69901	Battery Cable 20"x 5/16"x 5/16"	1
-	2-69902	Battery Cable 20"x 5/16"x 3.8"	1
-	2-69903	Battery Cable 20"x 1/4"x 1/4"	2
-	2-69904	Battery Cable 16"x 5/16"x 5/16"	1
-	2-69905	Battery Cable 10.5"x 5/16"x 5/16"	2
-	2-69906	Battery Cable 10.5"x 5/16"x 3.8"	2
40	2-70118	Wire Harness 48V	1
41	2-70001	Battery, Trojan	6
-	2-70002	Battery Cable, Red – 19"	1
-	2-70010	Battery Cable, Black (27")	1
-	2-70009	Battery Terminal Cover	2
-	2-50087	bolt, ¼" x 1	2
-	2-50000	nut, ¼" keps	2
42	2-45507	Battery Hold Down Electric	1
-	2-50223	L bolt-Special	4
43	2-70066	Headlight Switch	1
44	2-70059	Key Switch (keys not included)	1
-	2-70060	Key	
45	2-70080	Accessory Plug	1
46	2-18500	Terminal Block Cover – plastic	1
-	2-50625	screw, #10-24 X 1" Pan Head Phillips	2
-	2-50053	nut, #10-24 Keps nut	2
47	SEE LAST PAGE FOR HEADLIGHT INFORMATION		
50	2-18334	Hood LM, Red	1
-	15977	Hood LM, "Spencer" Green	1
-	2-18346	Hood LM, Camo	1
-	2-18342	Hood LM, White	1
50a	2-18341	UTV Grille LM Black	1
50b	16009	UTV Dash LM Black	1
-	2-50001	nut, ¼" nylock	1
-	2-50817	Push Pin Black Plastic	16
-	2-50621	¼" x 2" Phillip Head Machine Screw	1
-	2-50846	Clamp-Tube-vinyl coated 1-1/4"	2
51	2-18309	Glove Box	1
-	2-50624	Screw, #10 x ¾ hex – black	5
53	2-18306	Center Console	1
-	2-50624	Screw, #10 x ¾ hex – black	14
54	2-18316	Access Cover, Center Console	1
-	2-50624	Screw, #10 x ¾ hex – black	4
55	2-18305	Plastic, Seat Bottom wrap	1
-	2-50624	Screw, #10 x ¾ hex – black	5

NOTE: parts denoted as left or right hand are from driver's point of view.

REFERENCE NUMBER	PART NUMBER	PART DESCRIPTION	QUANTITY REQUIRED
55a	2-69908	Flush Mount Charger Receptacle	
57	2-18303	Rear Fender	2
-	2-50001	nut, ¼ nylock	4
-	2-50091	¼"-20 X ¾" Carriage bolt	4
-	2-50717	¼" SAE Flat washer	4
-	2-70150	Reflectors	2
60	2-10771	Seat back – BLACK & GREY – 43 ½ x 17 ½	1
60	2-10754	Seat back – BLACK – 43 ½ x 17 ½	1
-	2-50619	#14 X 1-3/4" Pan head-Tapping screw	6
61	2-10773	Headrest – BLACK & GREY – 9 x 6 ½	2
61	2-10803	Headrest – BLACK – 9 x 6 ½	2
-	2-50085	bolt, ¼ x 1 ½"	4
62	2-10772	Seat bottom – BLACK & GREY – 43 ½ x 17 ½	1
62	2-10755	Seat bottom – BLACK – 43 ½ x 17 ½	1
63	2-45416	seat bar, CW (17 ½") – black	2
-	2-50609	#14 x ¾ Pan Head Screw	6
65	14786	Seat Belt, 3pt	2
-	2-50025	7/16 Nylock	4
70	2-18356	Dump Bed UTV Plastic	1
-	2-50255	5/8 x 4" bolt Zinc plate	2
-	2-50015	5/8 nylock	2
-	2-18413	Bed Bumper 3/8" Rubber	2
73	2-50208	Bed latch bolt, 3/8 x 2 1/2"	1
-	2-50013	nut, 3/8 keps	2
-	2-50740	washer, 3/8 flat	2
75	2-18357	Dump Bed Tailgate UTV Plastic	1
80	2-18328	Roof, Black Textured	1
-	2-18390	Roof, Hardware bolt kit	
85	2-18400	Windshield - clear (FITS LO-RISE HOODS SEE BUYING GUIDE AT SHOP.AMSPORTWORKS.COM)	
-	2-18411	Windshield - clear (FITS HI-RISE HOODS SEE BUYING GUIDE AT SHOP.AMSPORTWORKS.COM)	
-	2-18407	Tube Mount, windshield	
88	2-40723	Front receiver hitch kit	
100	2-20121	Speed Sensor	1
-	2-20122	Speed Sensor Magnet	1
101	2-20120	Motor (D&D)	1
102	2-20835	Dana Transaxle Electric	1
103	2-45504	Swing arm, CW 48V- Black	1
104	2-70117	Reverse Alarm	1
105	2-70020	500 Amp Fuse	1
106	2-70112	Potentiometer (Curtis)	1
107	2-70114	Solenoid / Contactor(Curtis)	1
108	2-70115	Converter	1
109	2-11170	Brake Shoes - Rear UTV – Electric Dana "1 set for each wheel"	2
109b	2-11191	Brake Drum Replacement #012WA123	2
110	2-70121	Charger (Delta-Q)	1
111	2-70111	Controller (Curtis)	1
112	2-70050	Mode Switch	1
113	2-70113	Charge Gauge	1
114	2-18318	Plastic Cover for Controller	1
115	2-70119	FNR Switch	1

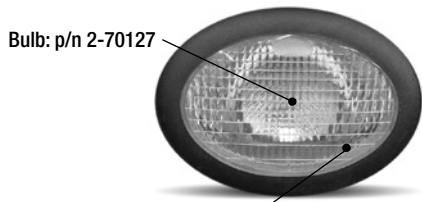
NOTE: parts denoted as left or right hand are from driver's point of view.

REFERENCE NUMBER	PART NUMBER	PART DESCRIPTION	QUANTITY REQUIRED
121	2-10583	Rod End Sphcl-UTV (4681-MPM-12)	3
122	2-50021	3/4 Jam nut SAE	3
123	2-42093	Panhard bar, CW - black	1
124	2-50206	bolt, 3/8 x 1	4
-	2-50010	3/8" Nylock Nut	4
-	2-50740	3/8" Flatwasher, USS	4
126	2-50280	3/4 x 2.5 SAE bolt	3
127	2-50020	3/4 SAE nylock	3
130	2-11103	Brake Cables	2
-	2-50150	5/16-18 x 1" Hex Hd Bolt	2
-	2-50007	5/16" Nylock Nut	2
131	2-11014	Throttle Cable, Electric 48V	1
-	2-50087	1/4-20 x 1" Hex Hd Bolt	1
-	2-50000	1/4" Keps Nut	2

ADDITIONAL PARTS FOR "S" MODELS WITH STEEL BED / REAR FLIPSEAT

-	2-45424	Steel Bed Black	1
-	2-45425	Steel Tailgate Black	1
-	2-70230	Rubber, Bumper – Dome - Large	2
-	2-55094	Flip Seat Kit-UTV	1

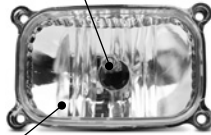
HEADLIGHT REPLACEMENT BULBS AND ASSEMBLIES FOR ASW UTILITY VEHICLES



Bulb: p/n 2-70127

Assembly: p/n 2-70129
(5 1/4" oval)

Bulb: p/n 2-70127



Assembly: p/n 2-70133
(4 3/8" rectangle)



Bulb: p/n 2-70127
Assembly: p/n 15648
(3 1/4" Round)

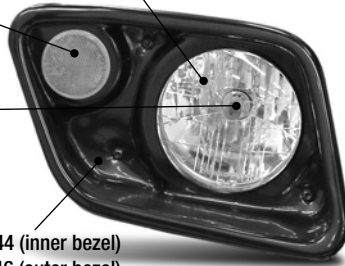


Bulb: Sealed housing
no bulb available
Assembly: p/n 14768
(4" round)

Light assembly: p/n 2-70158
(5" round)

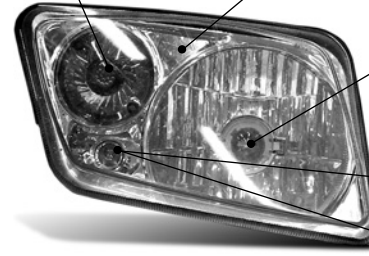
Amber reflector: p/n 14784
(2 1/4" Round)

Bulb: p/n 2-70122



Plastic insert: p/n "Driver Side" 15944 (inner bezel)
15946 (outer bezel)
Plastic insert: p/n "Passenger Side" 15943 (inner bezel)
15945 (outer bezel)

Bulb: p/n 15304
Light assembly: p/n 2-70153 (driver side)
Light assembly: p/n 2-70154 (passenger side)



Bulb: p/n 2-70146

Twist-in Bulb:
Sylvania 1891 or equivalent



Depending on your year of manufacture,
this housing either has a "push-in" or "twist-in" bulb



Push-in Bulb:
Sylvania 2825 or equivalent

Measurements are taken from left to right of the visible portion of the lens



7625 DiSalle Boulevard
Fort Wayne IN 46825

62194 Commercial Street
Roseland, LA 70456

Toll Free 800-643-7332
Fax 800-399-1399
www.amsportworks.com