

Specifications

| MODEL | Mechron2200 | Mechron2230 | Mechron2240 | | |
|------------------------|---|---------------------------------|-----------------------------------|---------------------------------|-------------|
| ENGINE | | | | | |
| Model | 3C100LWU | | | | |
| Type | 3Cyl., In-line Vertical, Water-cooled 4-cycle diesel engine | | | | |
| Engine Gross | HP(KW) | 22(16.4) | | | |
| Displacement | cu.in.(cc) | 61.45(1,007) | | | |
| Rated revolution | rpm | 2800(6.74kgf-m at 1,900rpm) | | | |
| Fuel tank capacity | u.s.gal(l) | 7.4(28) | | | |
| DRIVE TRAIN | | | | | |
| Type | Belt CVT | | | | |
| Gear Range | Low, High, Neutral, Reverse | | | | |
| Ground Speed | mph(km/h) | 0-25(0-40) | | | |
| Brake | Front/Rear Hyd Dry Caliper Disc | | | | |
| SUSPENSION | | | | | |
| Front Suspension | Independent, MacPherson Strut type | | | | |
| Rear Suspension | Independent, Double A-Arm(Wishbone type) | | | | |
| STEERING | | | | | |
| Type | Hydraulic Power Steering | | | | |
| DIMENSIONS | | | | | |
| Length | in.(mm) | 114.4(2,905) | 126.2(3,205) | 146.7(3,725) | |
| Width | in.(mm) | 60.7(1,543) | 60.7(1,543) | 60.7(1,543) | |
| Height | in.(mm) | 76.4(1,940) | 76.4(1,940) | 76.4(1,940) | |
| Max Wheel Tread | Front | in.(mm) | 49.7(1,262) | 49.7(1,262) | 49.7(1,262) |
| | Rear | in.(mm) | 49.8(1,264) | 49.8(1,264) | 49.8(1,264) |
| Wheelbase | in.(mm) | 76.4(1,940) | 88.2(2,240) | 76.4(2,760) | |
| Weight | lbs.(kg) | 1,830(830) | 1,858(843) | 1,925(873) | |
| Ground Clearance | in.(mm) | 12(304) | 12(304) | 12(304) | |
| Towing Capacity | lbs.(kg) | 1,300(590) | 1,300(590) | 1,300(590) | |
| Payload Capacity | lbs.(kg) | 1,598(725) | 1,598(725) | 1,598(725) | |
| Turning Radius | ft.(m) | 13.1(4.0) | 14.8(4.5) | 17.7(5.4) | |
| CARGO BED | | | | | |
| Length x Width x Depth | in.(mm) | 38.6(980)x56.2(1,427)x11.5(293) | 50.4(1,280)x56.2(1,427)x11.5(293) | 38.6(980)x56.2(1,427)x11.5(293) | |
| Cargo Capacity | lbs.(kg) | 1,102(500) | | 661.5(300) | |
| TIRE SIZE | | | | | |
| Front | Heavy Duty Worksite | 25x10-12 | | | |
| | Turf | 25x10-12 | | | |
| | ATV | 25x10-12 | | | |
| Rear | Heavy Duty Worksite | 25x10-12 | | | |
| | Turf | 25x10-12 | | | |
| | ATV | 25x10-12 | | | |
| Seat Capacity | 3 Seat Bench | | 2 rows (3 Seat Bench type) | | |
| Dump Box Actuation | Manual | | | | |
| Body Colour | Orange | | | | |

* NOTE: Some option kits are not available at the time of printing. The specifications are subject to change for the purpose of improvement without any notice.



ISO 9001
NO:954596



ISO 14001
NO:771475



OHSAS 18001
NO:K033008

Standard Equipment

Sun Canopy Kit
Hydraulic Dumping Kit
Parking Brake Buzzer Kit
Front Guard
Hydraulic Bed Lift
Speedometer
Horn

Optional Equipment

- CANOPY
 - Wind Shield (Safety Glass With Wiper)
 - Wiper Kit
- HITCH
 - Front Hitch Receiver Kit
 - Winch Kit
 - Swing Drawbar Kit
- HYDRAULICS
 - Remote Hydraulic Kit
 - Hand Throttle Kit
 - Oil-Cooler Kit
- PROTECTION
 - Skid Plate Kit
 - Rear Screen Kit
 - Suspension Dust Guard Ki CV Guard Kit)
- ACCESSORIES
 - Safety Lamp Kit
 - Fog Lamp Kit
 - Working Lamp Kit (ROPS)
 - Headrest Kit
 - Rear View Mirror Kit
 - Side Rail Extension Kit
 - License Plate Kit
 - Soft Cabin Kit
 - Beacon Light Kit



The Ultimate Transport Vehicle
MECHRON
2200 / 2230 / 2240



Kioti Tractor/
Daedong Industrial. Co., Ltd.
1422-5, Seocho-Dong, Seocho-Ku, Seoul, Korea
tel 82-2-3470-7454-9 • fax 82-2-3470-7485
web www.daedong.co.kr

Dealer Imprint Area



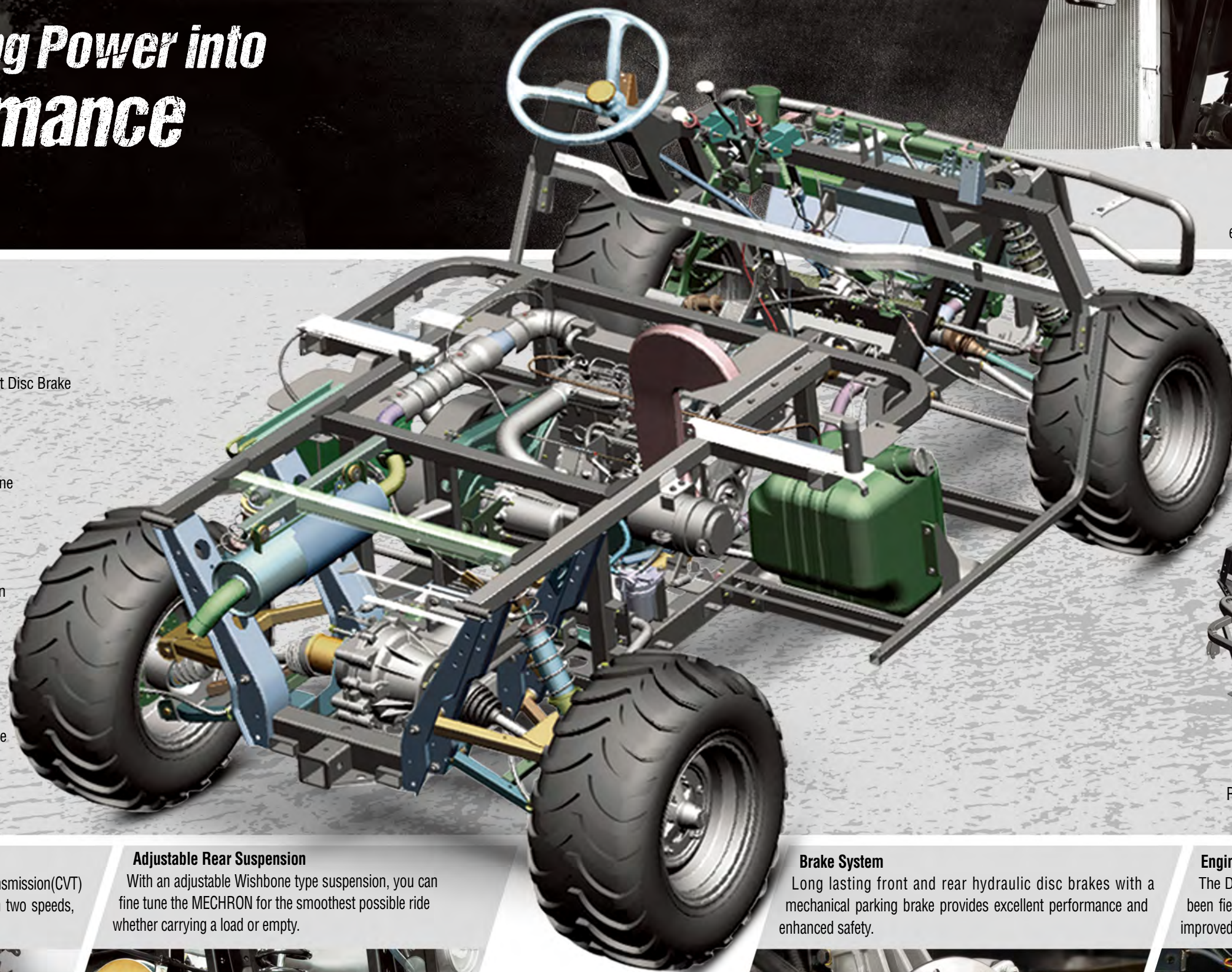
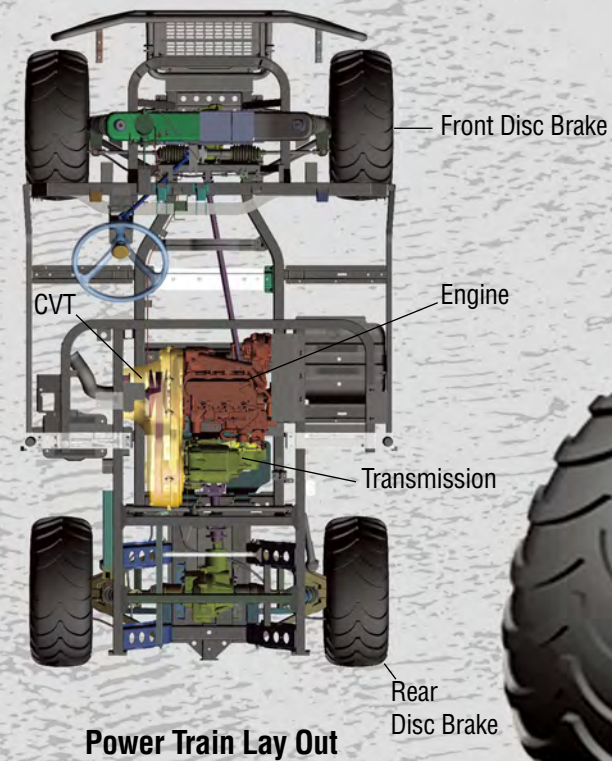
The Mechron

Whether you need a worker on the farm or a way into the woods, the **KIOTI MECHRON** 4X4 Utility Vehicle gets all your jobs done. With 4-wheel, fully independent, rear dual A-arm suspension and front MacPherson type suspension, the wide track offers increased stability and an exceptionally smooth ride on even rough terrain. The tight turning radius and rear anti-sway bar provides superb cornering and handling. Wherever work or play takes you, you'll have the ultimate 4-wheel drive performance.

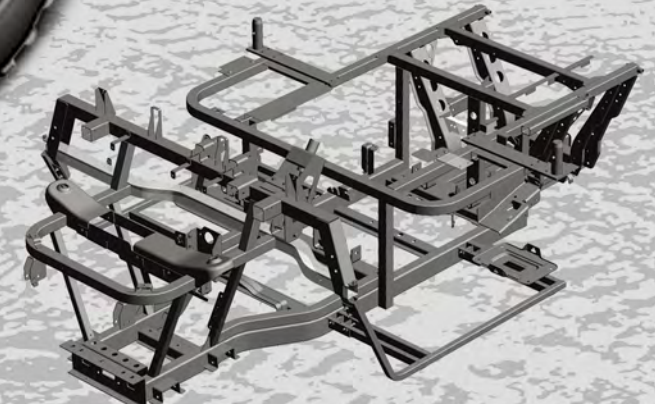


*Where Work and play
come Together Mechron*

Translating Power into Performance



Front Suspension
A MacPherson Strut type suspension ensures the best ride of all the competition while providing the driver excellent road-feel and control.



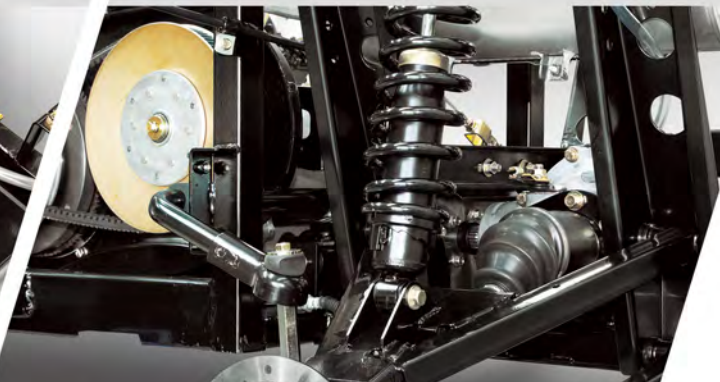
Solid Frame
Robust body frame with strong tubular steel and welded ROPS will protect drivers and passengers.

Transmission
The MECHRON uses a continuously variable transmission(CVT) and has a time proven Daedong gear box with two speeds, (Hi/Lo) and 4WD.

Adjustable Rear Suspension
With an adjustable Wishbone type suspension, you can fine tune the MECHRON for the smoothest possible ride whether carrying a load or empty.

Brake System
Long lasting front and rear hydraulic disc brakes with a mechanical parking brake provides excellent performance and enhanced safety.

Engine
The Daedong 3C100LFU (1007cc, 22HP) diesel engine has been field proven for durability and dependability while offering improved fuel economy.





Balancing weight and performance for full payloads

Canopy (Option)
An impact resistant plastic canopy helps to protect the driver and passengers.

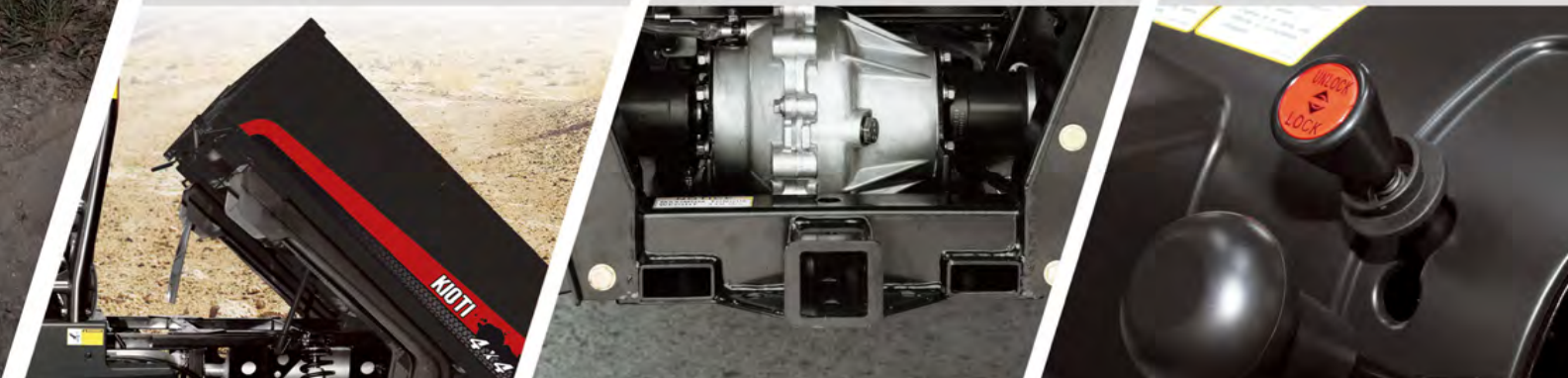
Hood
The sleek design of the reinforced plastic hood provides a strong and dynamic look.



Cargo Bed
The MECHRON provides excellent payload capabilities and has the widest cargo bed in its class. Add the optional hydraulic dump kit and you can easily place any load where you want it.

Rear Hitch Receiver
A 2-inch rectangular hitch receiver enables you to attach a trailer and receiver equipped implements.

Differential Locks
• Front: Limited Slip Differential
• Rear: Mechanically Actuated Differential Lock





Powerful acceleration
with a Daedong Diesel Engine



Rear Fenders

Reinforced, molded rear fenders mounted under the bed deck keep you and your MECHRON clean under the muddiest conditions.



Ground Clearance

Don't get stuck on the trail. With 12 inches of ground clearance, you can easily climb over obstacles.



Brush Guard

The heavy duty steel brush guard offers protection for the headlights, radiator, and front differential from rocks, tough brush, and other debris on the trail.



Wheels and Tires

Larger 12-inch wheels and 25-inch tires provide a smooth ride and more ground clearance.



Shift Levers

An in-line shift makes range selection simple and easy. 4WD selection and rear differential lock are engaged with a single pull knob.



Storage Compartments

An open dash storage area on the driver side is complemented by a closed dash storage area with a water proof lid on the passenger side.



Cup Holders

A cup holder on each side is standard with a removable tray for passenger and driver convenience.



Power, Strength, Agility, and Comfort

*Stretch out on the Wide bench seat
with room for passengers and the driver*

Floor

With a flat walk-thru design, the MECHRON has excellent leg and foot room for easy entry and exit.



2-Row seating of the new MECHRON 2240 provides a comfortable environment for 4 people.

Dash Board

With its cockpit-like looks, the ergonomically located controls and instruments allow the driver to view critical functions at a glance.



Bench seat

With a contoured bench seat that is the widest in its class, the MECHRON offers room to seat three comfortably. Three seat belts are standard for safety.



Standard Instrument Cluster

Speedometer in MPH(km/hr), hour meter, fuel gauge, coolant temperature gauge, check engine light and turn signal indicators are standard.

