

TABLE OF CONTENTS

[ENGINE]

3C100LWU-E010	CYLINDER BLOCK GROUP.....	1
3C100LWU-E020	OIL PAN GROUP.....	3
3C100LW-E030	CYLINDER HEAD COVER GROUP.....	4
3C100A-E040	GEAR CASE GROUP.....	5
3C100LW-E040	GEAR CASE GROUP.....	8
3C100A-E050	MAIN BEARING CASE GROUP.....	10
3C100A-E080	VALVE ROCKER ARM GROUP.....	11
3C093LW-E090	CYLINDER HEAD COVER GROUP.....	12
3C100A-E100	CAMSHAFT GROUP.....	13
3C100LWU-E110	PISTON & CRANKSHAFT GROUP.....	14
3C100LWU-E120	FLYWHEEL GROUP.....	15
3C100LWU-E130	NOZZLE HOLDER GROUP.....	16
3C100LWU-E140	FUEL CAMSHAFT GROUP.....	17
3C100A-E150	SPEED CONTROL LEVER GROUP.....	19
3C100LW-C-E160	ENGINE STOP LEVER GROUP.....	20
3C100A-E170	GOVERNOR GROUP.....	22
3C100LWU-E190	WATER HOSE GROUP.....	23
3C100LWU-E200	ALTERNATOR GROUP.....	25
3C100LWU-E220	MANIFOLD GROUP.....	26
3C100LW-E240	LABEL GROUP.....	27
3C100LWU-E240	LABEL GROUP.....	28
3C100LW-E245	EPA LABEL GROUP.....	29

[FRONT AXLE]

U1-T230A	BEVEL PINION SHAFT GROUP.....	30
U1-U0550A	Front Axle Group.....	31

[TRANSMISSION]

U1-T100A	TRANSMISSION CASE GROUP.....	32
U1-U0100A	TRANSMISSION GROUP.....	34
U1-T110A	DRIVE SHAFT GROUP.....	35
U1-T120A	SHIFT SHAFT GROUP.....	36
U1-T130A	SPRIAL BEVEL GEAR GROUP.....	37
U1-T140A	REAR WHEEL DRIVING SHAFT GROUP.....	39
U1-T150A	FRONT WHEEL DRIVE SHAFT GROUP.....	40
U1-T160A	FRONT DRIVE FORK GROUP.....	41
U1-T170A	SHIFT FORK GROUP.....	42
U1-T180A	REAR AXLE CASE GROUP.....	43
U1-T190A	REAR DIFF SYSTEM GROUP.....	44
U1-T200A	REAR DIFF FORK GROUP.....	47
U1-T210A	FRONT AXLE CASE GROUP.....	48
U1-T220A	FRONT DIFF SYSTEM GROUP.....	49
U1-U0230A	Front Axle Drive Group.....	51

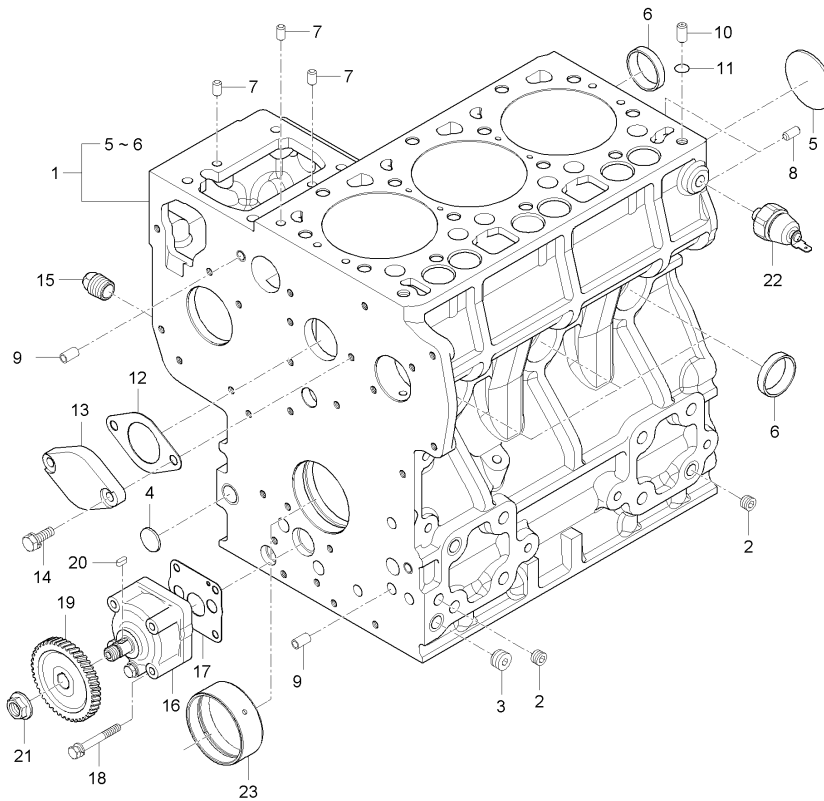
U1-U0235A	Rear Differential Group.	53
U1-U0240A	Rear Axle Drive Group.	54
U1-U0300A	Rear Differential Group.	55
[CHASSIS]		
U3350-G190A	Propeller Shaft Group.	56
U1-U0210A	Guard Group.	57
U1-U0250A	ENGINE MOUNTING GROUP.	58
U1-U0284A	CVT Group, DC(STD).	60
U1-U0288A	CLUTCH COVER GROUP.	61
U1-U0290A	Wheel & Tire Group(WORK).	63
U1-U0291A	Wheel & Tire Group(Mud).	64
U1-U0292A	Wheel & Tire Group(Turf).	66
U3350-G310A	Accelerator Pedal Group.	67
U3350-G360A	Rear Break Group.	68
U3350-G380A	PARKING BACKE GROUP.	69
U3351-G380A	PACKING BACKE GROUP.	70
U1-U0400A	Front Break Group.	71
U1-U0420A	BRAKE PEDAL GROUP.	73
U3350-G440A	LEVER GROUP.	74
U3350-G490A	RADIATOR GROUP.	78
U1-U0500A	Front Suspension Group(STD).	80
U3350-G500A	FRAME.	84
U1-U0510A	Rear Suspension Group(STD).	86
U1-U0524A	POWER STEERING GROUP, KIOTI.	89
U3351-G610A	HYDRAULIC SYSTEM.	91
U1-U0700A	Fuel System Group.	96
U1-U0710A	Intake System Group.	98
U3-U0720A	Exhaust System Group(STD).	99
U1-U0800A	IP GROUP(KIOTI).	100
U3350-G830A	SEAT GROUP.	102
U3350-G840A	MOLDING GROUP.	103
U1-U0857A	Label Group(MEC2200-SW-EU).	105
U1-U0910A	HOOD GROUP.	107
U3450-G920A	HOOD GROUP.	109
U1-U0922A	Deck Group(STD-BLACK).	111
U3350-G950A	ROPS.	113
U3330-G980A	Label Group.	114
U1-U1670A	PARKING LOCK BUZZER GROUP.	116
U3300-GA20A	STORAGE GROUP.	117
U3305-GA10A	CANOPY GROUP.	118
U3305-GA30A	SKID PLATE GROUP.	119
U3305-GA41A	SOFT CABIN(KIOTI-BLACK).	120
U3305-GA43A	SOFT CABIN(KIOTI-CAMO).	121
U3305-GA60A	HEAD REST GROUP.	122

U1-U3930A	WIND SHIELD GROUP.	123
U1-U3950A	HAND THROTTLE GROUP-OPT.	124
U1-U5010A	FRONT HITCH GROUP-OPT.	125
U3-U5020A	FRONT HITCH GROUP(EEC)-OPT.	126
U1-U5030A	WINCH GROUP.	127
U1-U5050A	SPARK ARREST ASSY.	128
U1-U5080A	SUSP DUST SHIELD GROUP-OPT.	129
U1-U5680A	NUMBER PLATE GROUP.	130
U3-U5730A	HIGH MOUNT BRAKE LAMP GROUP.	131
U1-U5940A	HYDRAULIC SYSTEM GROUP (3)-OPT.	132
U1-U5950A	OIL COOLER GROUP.	133
 [ELECTRICAL]		
U1-U0600A	ELECTRICAL SYSTEM 1 GROUP.	134
U1-U0610A	ELECTRICAL SYSTEM 2 GROUP.	135
U1-U0630A	Battery Group.	136
U1-U0640A	HEAD LIGHT GROUP.	137
U3351-G730A	ELECTRICITY SYSTEM 3 GROUP.	138
U1-U3933A	WIPER GROUP.	139
U1-U5650A	FOG LAMP GROUP.	141
U3-U5710A	BEACON LIGHT GROUP.	142
U3-U5750A	ALARM SYSTEM BACKUP, GROUP.	143
 [OPTION]		
U3353-G610A	HYDRAULIC SYSTEM.	144
U3355-G610A	HYDRAULIC SYSTEM.	147
U1-U0980A	OPTIONAL LAMP GROUP.	148
U1-U1000A	Gas Spring GROUP.	150
U3214-GA10B	Guard Group.	151
U1-U3290A	Wheel & Tire Group(OPT-WORK).	152
U1-U3291A	Wheel & Tire Group(OPT-Mud).	153
U1-U3292A	Wheel & Tire Group(OPT-Turf).	154
U3300-GA10B	CANOPY GROUP.	155
U3305-GA10B	CANOPY GROUP.	156
U3305-GA15A	CANOPY GROUP.	157
U3305-GA50A	PARKING BRAKE BUZZER GROUP.	158
U1-U3820A	HEAD REST GROUP.	159
U1-U3830A	REAR SCREEN GROUP.	160
U1-U3931A	SAFTY GLASS GROUP.	161
U1-U3932A	WIND SHIELD GROUP.	163
U1-U3980A	OPTIONAL LAMP GROUP.	164
U3-U3980A	OPTIONAL LAMP GROUP(OPT-EU).	167
U1-U3990A	MIRROR GROUP-OPT.	170
U1-U4000A	Gas Spring GROUP-OPT.	171
U3-U5110A	SWING DRAWBAR GROUP(EEC)-OPT.	172

U1-U5660A	WORKING LAMP GROUP(OPTION).....	173
U1-U5670A	PARKING LOCK BUZZER GROUP(OPTION).....	174
U1-U5920A	DECK EXTENSION GROUP(OPTION).....	175
U1-U5972A	SOFT CABIN(OPTION-BLACK-KIOTI).....	176
U1-U5973A	SOFT CABIN(OPTION-DESERT-KIOTI).....	177
INDEX 1	178
INDEX 2	186
INDEX 3	189

3C100LWU-E010

CYLINDER BLOCK GROUP



A : MEC2240SW-EU , B : MEC2240SA-EU , C : MEC2240ST-EU

No.	Part Number	Description	Q'TY					I.C	Remark
			A	B	C	D	E		
1	E5763-A0013	CYLINDER BLOCK ASSY	1	1	1				
2	06311-75015	PLUG	3	3	3				T1.6*18*18
3	06311-75040	PLUG	1	1	1				
4	15321-9626-3	PLUG	6	6	6				
5	E5900-96021	PLUG	9	9	9				
6	E5900-96031	PLUG	1	1	1				
7	05012-00609	PIN, PARALLEL	4	4	4				
8	05012-00814	PIN, PARALLEL	2	2	2				DIA10*20
9	E5205-33961	TUBE PIN	2	2	2				
10	15221-3365-1	PIN, TUBE	1	1	1				
11	E5500-33702	O RING	1	1	1				
12	E5205-73911	COVER	1	1	1				
13	E5700-73922	GASKET	1	1	1				
14	01023-50618	BOLT, WASHER	2	2	2				
15	06312-10020	PLUG	1	1	1				PT1/4
15	EF15-0003A	PLUG	1	1	1			<--->	
16	E5700-35012	OIL PUMP ASSY	1	1	1				
17	E5700-35154	GASKET, OIL PUMP	1	1	1				
18	E5205-91021	BOLT, WASHER	4	4	4				

----> Old replace New

<-X-> Not interchangeable

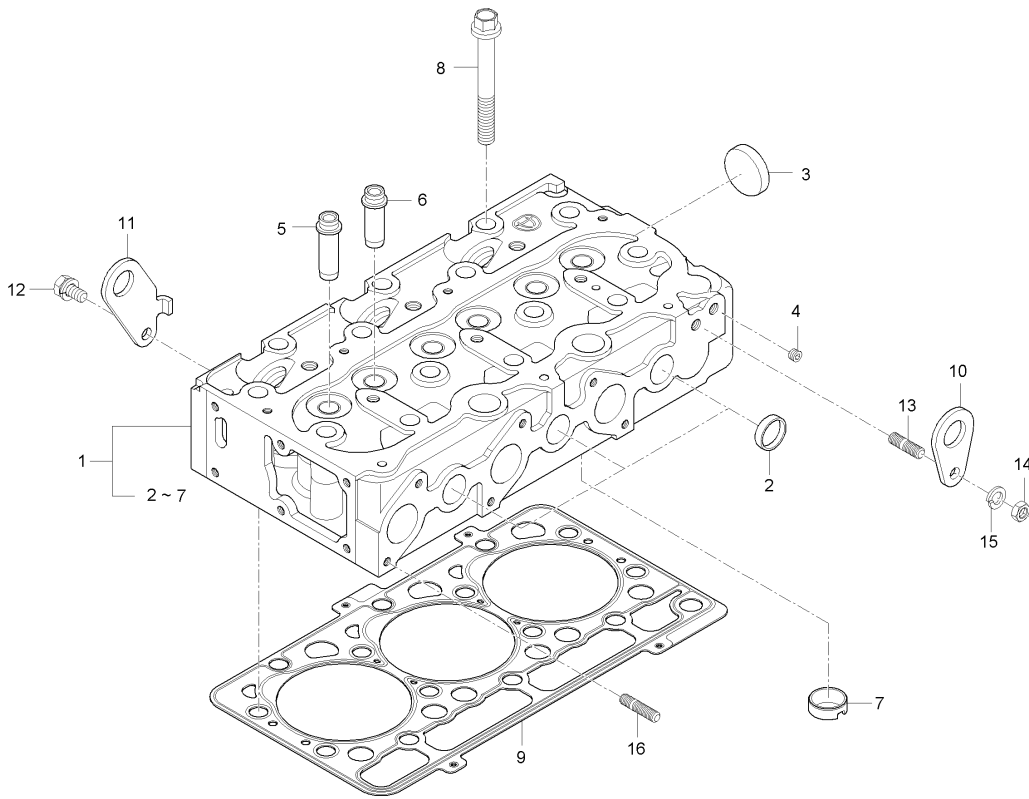
<-0-> Interchangeable with another part(s)

<---- New replace Old

<----> Interchangeable

3C100LW-E030

CYLINDER HEAD COVER GROUP



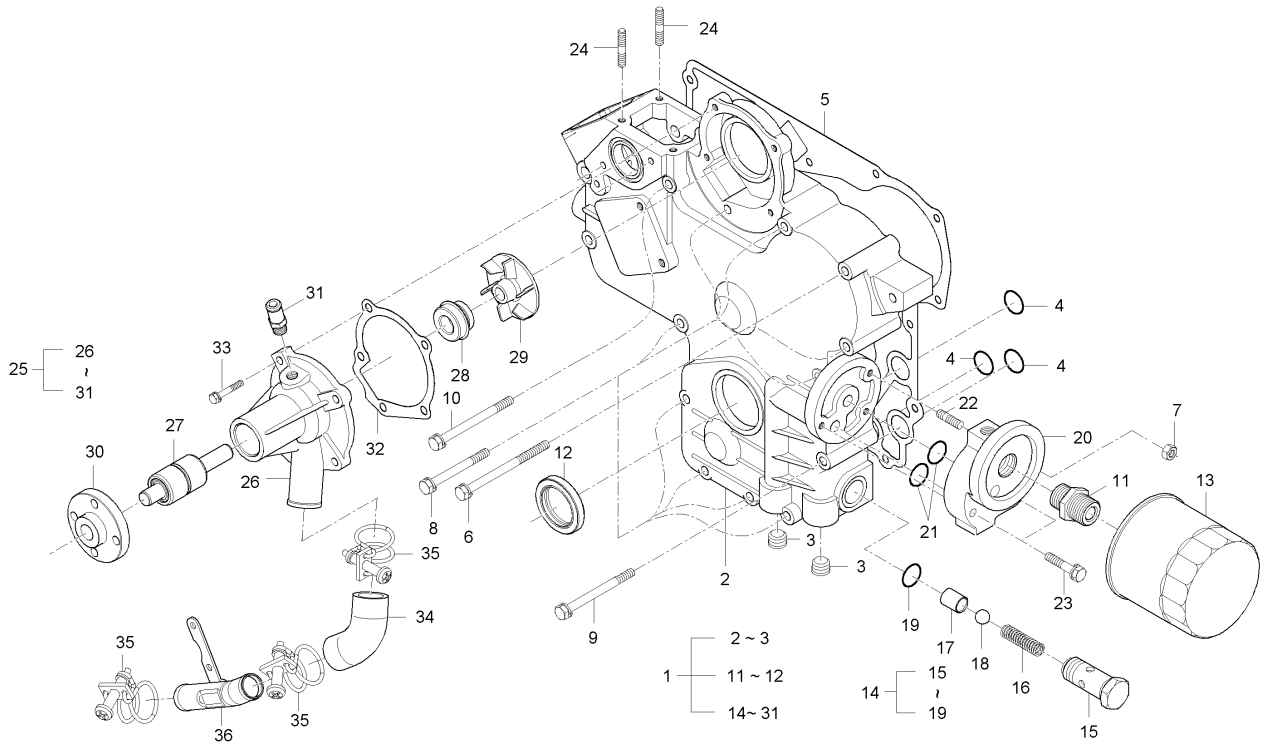
A : MEC2240SW-EU , B : MEC2240SA-EU , C : MEC2240ST-EU

No.	Part Number	Description	Q'TY					I.C	Remark
			A	B	C	D	E		
1	E5763-A0304	TOTAL CYLINDER HEAD ASSY	1	1	1				
2	E5205-03371	CAP	5	5	5				
3	15321-9626-3	PLUG	1	1	1				
4	E5900-96021	PLUG	2	2	2				
5	E5205-13542	GUIDE, INTAKE VALVE	3	3	3				
6	E5205-13562	GUIDE, VALVE	3	3	3				
7	E5760-03141	HOT FLUG	3	3	3				
8	E5770-03451	BOLT, CYLINDER HEAD	14	14	14				
9	E5760-03314	GASKET, HEAD	1	1	1				
10	15221-0175-1	ENGINE HOOK	1	1	1				
11	E5760-01751	ENGINE HOOK	1	1	1				
12	01123-50816	BOLT, WASHER	1	1	1				M8*P1.25
13	01513-50822	STUD	1	1	1				M8*1.25
14	02156-50080	NUT	1	1	1				M8XP1.25
15	04512-50080	SPRING WASHER	1	1	1				M08
16	01513-50620	STUD	6	6	6				

----- Old replace New
 <-X-> Not interchangeable
 <-0-> Interchangeable with another part(s)
 ----- New replace Old
 ----- Interchangeable

3C100A-E040

GEAR CASE GROUP



A : MEC2240SW-EU , B : MEC2240SA-EU , C : MEC2240ST-EU

No.	Part Number	Description	Q'TY					I.C	Remark
			A	B	C	D	E		
1	E5760-A0205	GEARCASE ASSY	1	1	1				
2	E5760-04114	CASE, GEAR	1	1	1				
3	E5900-96031	PLUG	2	2	2				
4	04811-06130	O RING	3	3	3				
5	E5760-04132	GASKET, GEAR CASE	1	1	1				
6	E5752-91031	BOLT, WASHER	2	2	2				
7	02761-50060	FLANGE NUT	2	2	2				M6XP1.0
8	01023-50665	BOLT, WASHER	9	9	9				MEX10*76
9	01023-50670	BOLT, WASHER	2	2	2				MEX10*81
10	01023-50675	BOLT, WASHER	1	1	1				MEX10*86
11	E5205-32291	TUBE, CONNECTING	1	1	1				
12	09550-00008	SEAL, OIL	1	1	1				
13	E5205-32091	FILTER	1	1	1				
14	E5700-36071	RELIFE VALVE ASSY	1	1	1				
15	E5700-36911	BODY, RELIEF VALVE	1	1	1				
16	15241-3695-2	SPRING	1	1	1				
17	E5700-36932	SEAT, VALVE	1	1	1				
18	07715-03213	STEEL BALL	1	1	1				13/32" (10.3188)
19	04810-00150	O RING	1	1	1				

----> Old replace New

<-X-> Not interchangeable

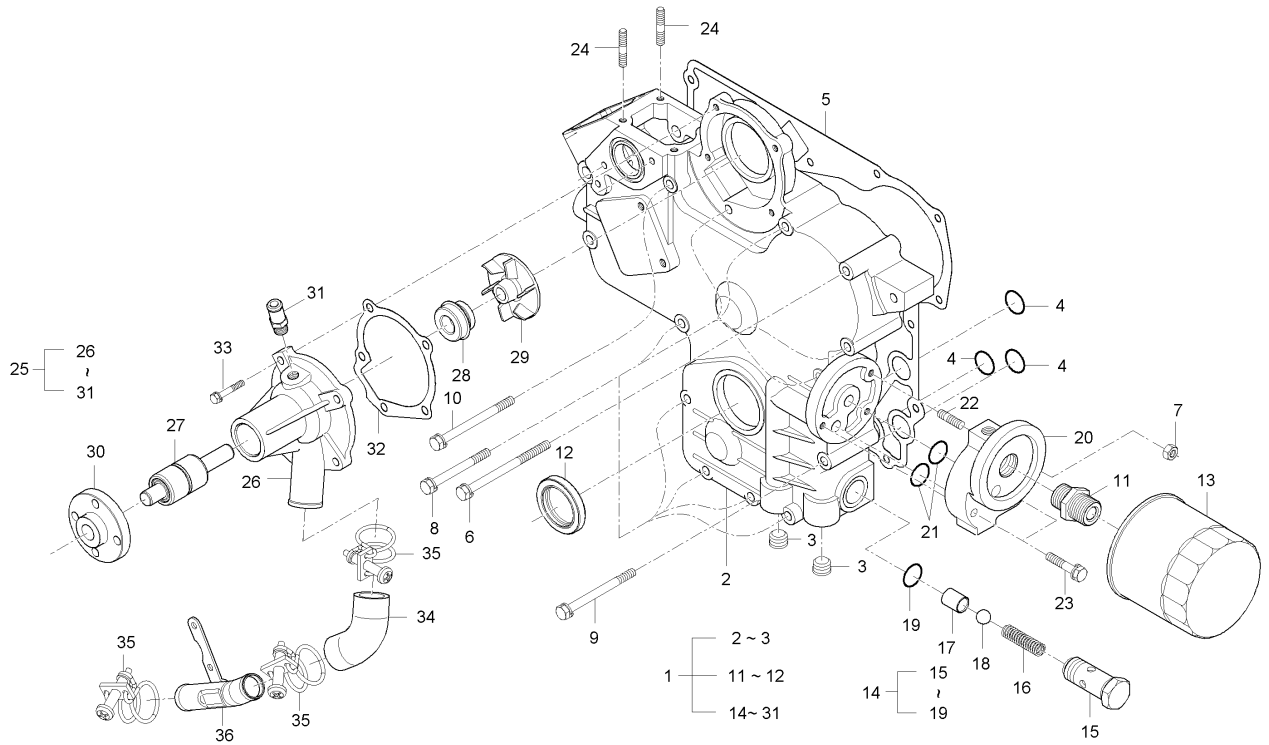
<-0-> Interchangeable with another part(s)

<---- New replace Old

<----> Interchangeable

3C100A-E040

GEAR CASE GROUP



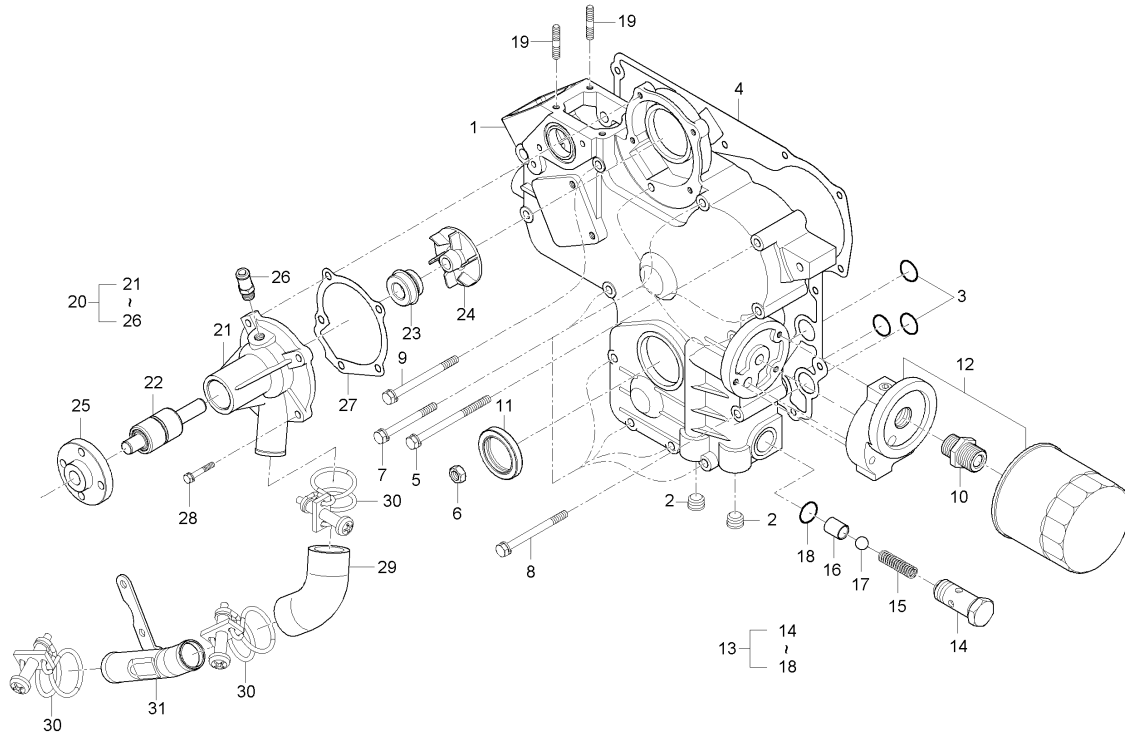
A : MEC2240SW-EU , B : MEC2240SA-EU , C : MEC2240ST-EU

No.	Part Number	Description	Q'TY					I.C	Remark
			A	B	C	D	E		
20	E5700-32313	SUPPORT, OIL FILTER	1	1	1				
21	04811-05140	O RING	2	2	2				
22	01513-50618	STUD	1	1	1			M6*1.0	
23	01023-50630	BOLT, WASHER	2	2	2				
24	01513-50614	STUD	2	2	2				
25	E5760-73032	WATER PUMP ASSY	1	1	1				
25	E5760-73033	WATER PUMP ASSY	1	1	1			<--->	
26	E5760-73042	BODY, WATER PUMP	1	1	1				
26	E5760-73043	BODY, WATER PUMP	1	1	1			<--->	
27	E5205-73551	BEARING	1	1	1				
27	E5760-73551	BEARING	1	1	1			<--->	
28	E5800-73052	MECHANICAL SEAL ASSY	1	1	1				
29	E5760-73512	IMPELLER	1	1	1				
30	E5205-73523	FLANGE	1	1	1				
30	E5205-73524	FLANGE	1	1	1			<--->	
31	E5700-73342	HOSE, COOLING WATER RETURN	1	1	1				
32	E5760-73432	GASKET, WATER PUMP	1	1	1				
33	01023-50625	BOLT	4	4	4			M6XP1.0	
34	E5205-72951	HOSE 3, COOLING WATER	1	1	1				

<---> Old replace New
 <-X-> Not interchangeable
 <-0-> Interchangeable with another part(s)
 <---> New replace Old
 <---> Interchangeable

3C100LW-E040

GEAR CASE GROUP



A : MEC2240SW-EU , B : MEC2240SA-EU , C : MEC2240ST-EU

No.	Part Number	Description	Q'TY					I.C	Remark
			A	B	C	D	E		
1	E5760-A0205	GEARCASE ASSY	1	1	1				
2	E5900-96031	PLUG	2	2	2				
3	04811-06130	O RING	3	3	3				
4	E5760-04133	GASKET, GEAR CASE	1	1	1				
5	E5752-91031	BOLT, WASHER	2	2	2				
6	02761-50060	FLANGE NUT	2	2	2				M6XP1.0
7	01023-50665	BOLT, WASHER	9	9	9				MEX10*76
8	01023-50670	BOLT, WASHER	2	2	2				MEX10*81
9	01023-50675	BOLT, WASHER	1	1	1				MEX10*86
10	E5205-32291	TUBE, CONNECTING	1	1	1				
11	09550-00008	SEAL, OIL	1	1	1				
12	E5205-32091	FILTER	1	1	1				
13	E5700-36071	RELIFE VALVE ASSY	1	1	1				
14	E5700-36911	BODY, RELIEF VALVE	1	1	1				
15	15241-3695-2	SPRING	1	1	1				
16	E5700-36932	SEAT, VALVE	1	1	1				
17	07715-03213	STEEL BALL	1	1	1				13/32" (10.3188)
18	04810-00150	O RING	1	1	1				
19	01513-50614	STUD	2	2	2				

----> Old replace New

<-X-> Not interchangeable

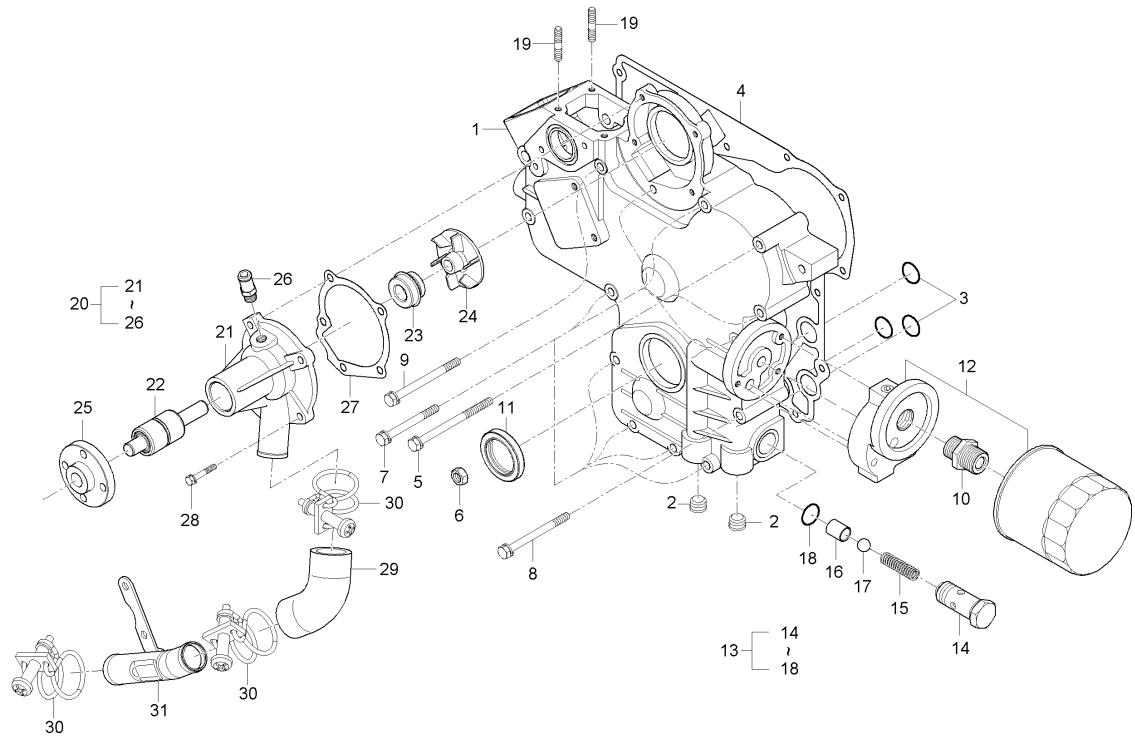
<-0-> Interchangeable with another part(s)

<---- New replace Old

<----> Interchangeable

3C100LW-E040

GEAR CASE GROUP



A : MEC2240SW-EU , B : MEC2240SA-EU , C : MEC2240ST-EU

No.	Part Number	Description	Q'TY					I.C	Remark
			A	B	C	D	E		
20	E5760-73032	WATER PUMP ASSY	1	1	1				
20	E5760-73033	WATER PUMP ASSY	1	1	1			<--->	
21	E5760-73042	BODY, WATER PUMP	1	1	1				
21	E5760-73043	BODY, WATER PUMP	1	1	1			<--->	
22	E5205-73551	BEARING	1	1	1				
22	E5760-73551	BEARING	1	1	1			<--->	
23	E5800-73052	MECHANICAL SEAL ASSY	1	1	1				
24	E5760-73512	IMPELLER	1	1	1				
25	E5205-73523	FLANGE	1	1	1				
25	E5205-73524	FLANGE	1	1	1			<--->	
26	E5700-73342	HOSE, COOLING WATER RETURN	1	1	1				
27	E5760-73432	GASKET, WATER PUMP	1	1	1				
28	01023-50625	BOLT	4	4	4			M6XP1.0	
29	E5205-72951	HOSE 3, COOLING WATER	1	1	1				
30	E5752-18171	CLAMP, STAINLESS HOSE	3	3	3				
31	E5760-72872	HOSE, REFRIGERANT	1	1	1				

----> Old replace New

<-X-> Not interchangeable

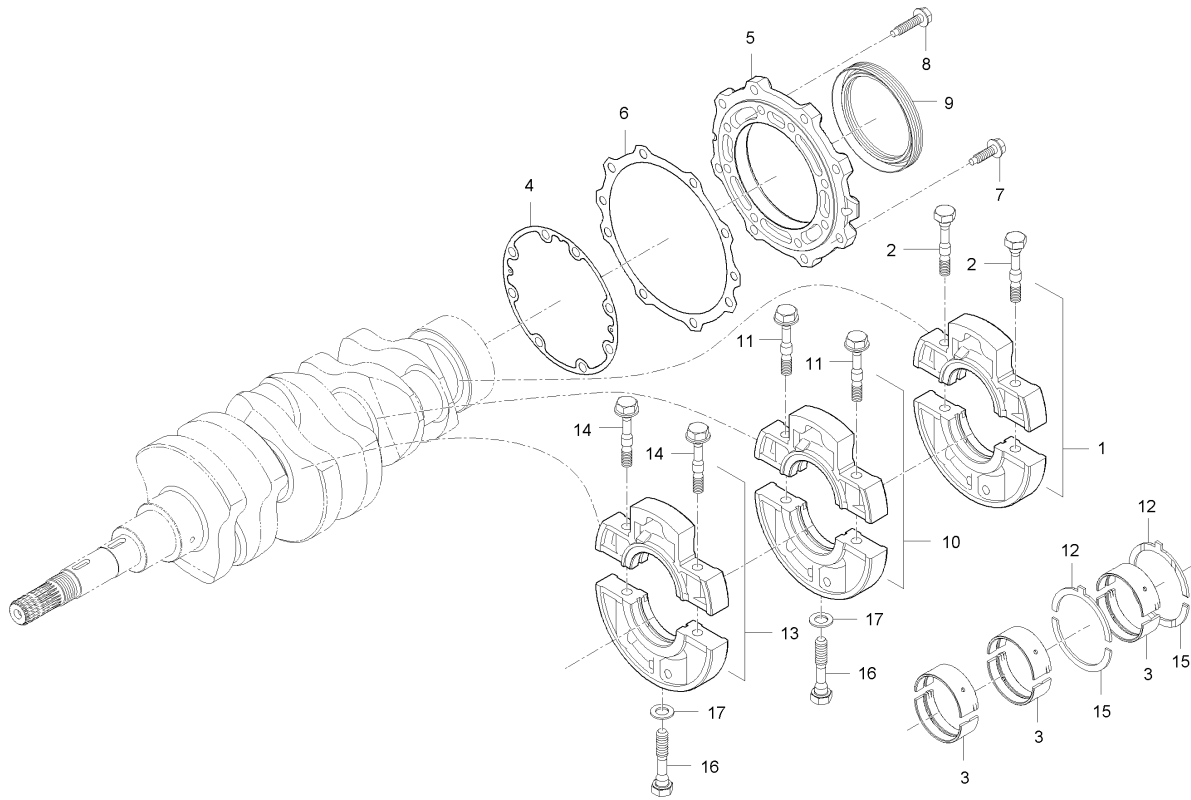
<-0-> Interchangeable with another part(s)

<---- New replace Old

<---> Interchangeable

3C100A-E050

MAIN BEARING CASE GROUP



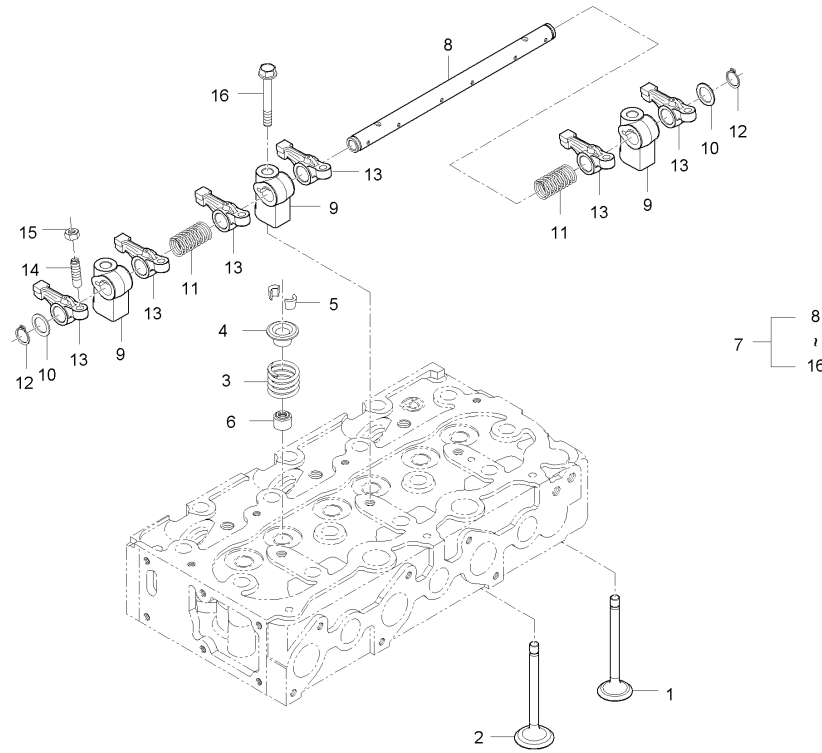
A : MEC2240SW-EU , B : MEC2240SA-EU , C : MEC2240ST-EU

No.	Part Number	Description	Q'TY					I.C	Remark
			A	B	C	D	E		
1	E5760-04043	BEARING CASE ASSY	1	1	1				
2	E5761-04541	BOLT 1, BEARING CASE	2	2	2				
3	E5760-23481	METAL 2, CRANKSHAFT	6	6	6				
4	E5760-04361	GASKET, BEARING CASE	1	1	1				
5	E5760-04811	COVER, BEARING CASE	1	1	1				
6	E5760-04822	GASKET, COVER	1	1	1				
7	01754-50825	FLANGE BOLT	8	8	8				M8XP1.25
8	01754-50822	BOLT, FLANGE	9	9	9				
9	E5760-04461	SEAL, OIL	1	1	1				
10	E5760-04053	MAIN BEARING CASE ASSY, 1	1	1	1				
11	E5761-04541	BOLT 1, BEARING CASE	2	2	2				
12	E5760-23531	SIDE METAL, 1	2	2	2				
13	E5760-04063	MAIN BEARING CASE ASSY, 2	1	1	1				
14	E5761-04541	BOLT 1, BEARING CASE	2	2	2				
15	E5760-23541	SIDE METAL, 2	2	2	2				
16	E5205-04561	BOLT 2, BEARING CASE	2	2	2				
17	04014-50080	WASHER, PLAIN	2	2	2				

----> Old replace New
 <-X-> Not interchangeable
 <-0-> Interchangeable with another part(s)
 <----> New replace Old
 <----> Interchangeable

3C100A-E080

VALVE ROCKER ARM GROUP



A : MEC2240SW-EU , B : MEC2240SA-EU , C : MEC2240ST-EU

No.	Part Number	Description	Q'TY					I.C	Remark
			A	B	C	D	E		
1	E5760-13111	VALVE, INTAKE	3	3	3				
2	E5760-13121	EXHAUST VALVE	3	3	3				
3	E5205-13241	SPRING, VALVE	6	6	6				
4	E5700-13332	RETAINER, VALVE SPRING	6	6	6				
5	E5763-13361	COLLET, VALVE SPRING	12	12	12				
6	E5205-13152	SEAL, VALVE STEM	6	6	6				
7	E5753-14001	ROCKER ARM TOTAL ASSY	1	1	1				
8	E5753-14051	ROCKER ARM SHAFT ASSY	1	1	1				
9	E5753-14351	SUPPORT, ROCKER ARM	3	3	3				
10	E5753-14431	WASHER, PLAIN	2	2	2				
11	E5753-14311	SPRING, ROCKER ARM	2	2	2				
12	04612-00130	SNAP RING	2	2	2				
13	E5753-14111	ARM, ROCKER	6	6	6				
14	E5700-14232	SCREW, ADJUSTING	6	6	6				
15	E5205-14241	NUT, ADJUSTING	6	6	6				
16	E5752-91501	BOLT, ROCKER ARM SUPPORT	3	3	3				

----> Old replace New

<-X-> Not interchangeable

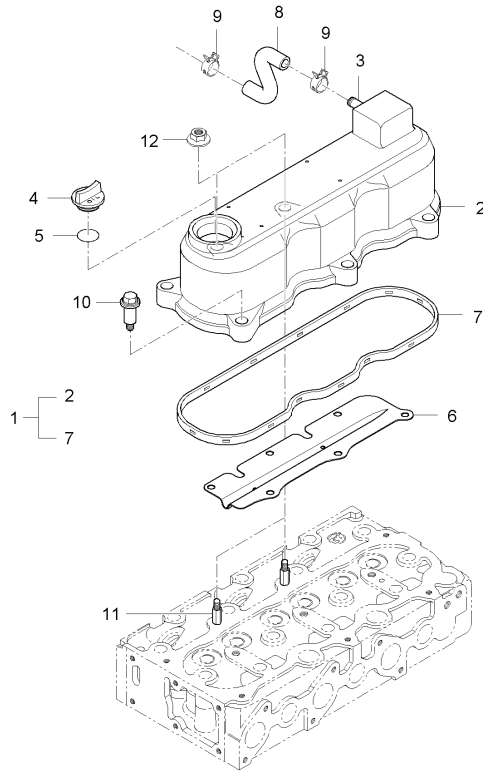
<-0-> Interchangeable with another part(s)

<---- New replace Old

<----> Interchangeable

3C093LW-E090

CYLINDER HEAD COVER GROUP



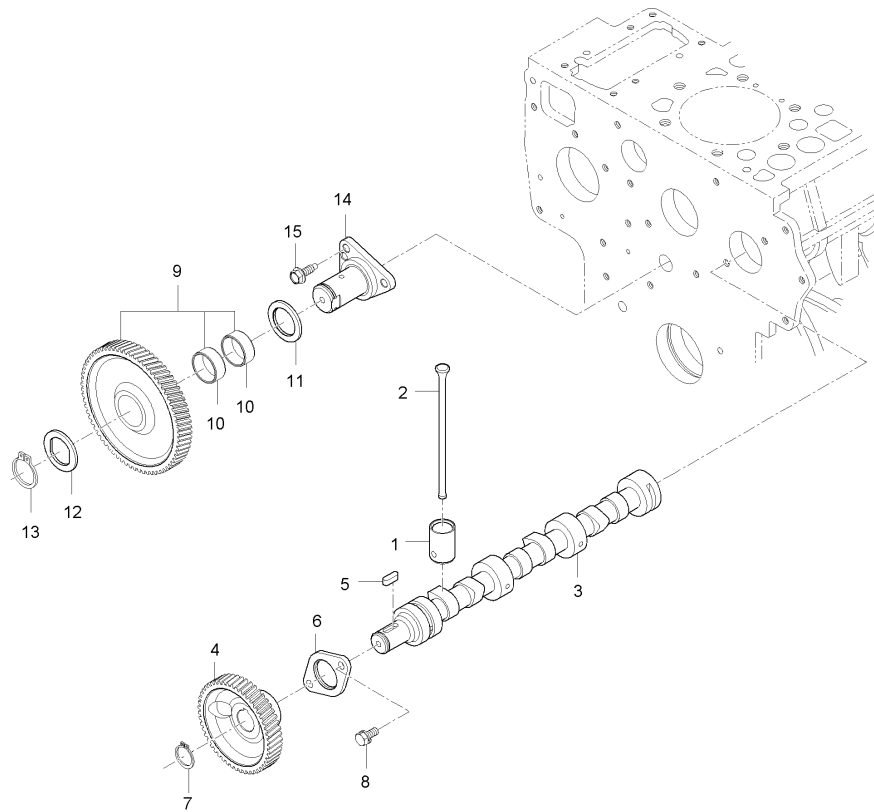
A : MEC2240SW-EU , B : MEC2240SA-EU , C : MEC2240ST-EU

No.	Part Number	Description	Q'TY					I.C	Remark
			A	B	C	D	E		
1	E5770-14501	CYLINDER HEAD COVER ASSY	1	1	1				
1	E5770-14502	CYLINDER HEAD COVER ASSY	1	1	1			<---->	
2	E5760-14511	COVER, CYLINDER HEAD	1	1	1				
3	E6510-05552	CONNECTOR, AIR BREATHER HOSE	1	1	1				
4	E5500-33142	PLUG, OIL FILLER	1	1	1				
5	04811-50300	O RING	1	1	1				G30
6	E5752-14562	PLATE, OIL PROTECTING	1	1	1				
7	E5752-14521	GASKET, CYLINDER HEAD COVER	1	1	1				
7	E5752-14522	GASKET, CYLINDER HEAD COVER	1	1	1			<---->	
8	E6510-05511	HOSE, AIR BREATHER	1	1	1				
9	09318-88180	CLMAP, HOSE	2	2	2				
10	E6510-33661	BOLT, CYLINDER HEAD COVER	5	5	5				
11	E5500-33671	STUD, CYLINDER HEAD COVER	2	2	2				
12	E5500-35681	NUT, FLANGE	2	2	2				

----> Old replace New
 <-X-> Not interchangeable
 <-0-> Interchangeable with another part(s)
 <----> New replace Old
 <----> Interchangeable

3C100A-E100

CAMSHAFT GROUP



A : MEC2240SW-EU , B : MEC2240SA-EU , C : MEC2240ST-EU

No.	Part Number	Description	Q'TY					I.C	Remark
			A	B	C	D	E		
1	E5700-15552	TAPPET	6	6	6				
2	E5760-15111	ROD, PUSH	6	6	6				
3	E5760-16011	CAMSHAFT ASSY	1	1	1				
4	E5205-16511	GEAR, CAMSHAFT	1	1	1				
5	05712-00515	KEY	1	1	1				
6	E5205-16272	STOP, CAM SHAFT	1	1	1				
7	04612-00180	SNAP RING	1	1	1				
8	01023-50614	BOLT, WASHER	2	2	2				M6P1.0
9	E5205-24012	IDLE GEAR ASSY	1	1	1				
10	E5205-24281	BUSH, IDLE GEAR	2	2	2				
11	E5205-24361	COLLAR, 1	1	1	1				
12	E5205-24371	COLLAR, 2	1	1	1				
13	E5205-24321	RING, SNAP	1	1	1				
14	E5700-24252	SHAFT, IDLE GEAR	1	1	1				
15	01654-50618	BOLT, FLANGE WITH PIN	3	3	3				

----> Old replace New

<-X-> Not interchangeable

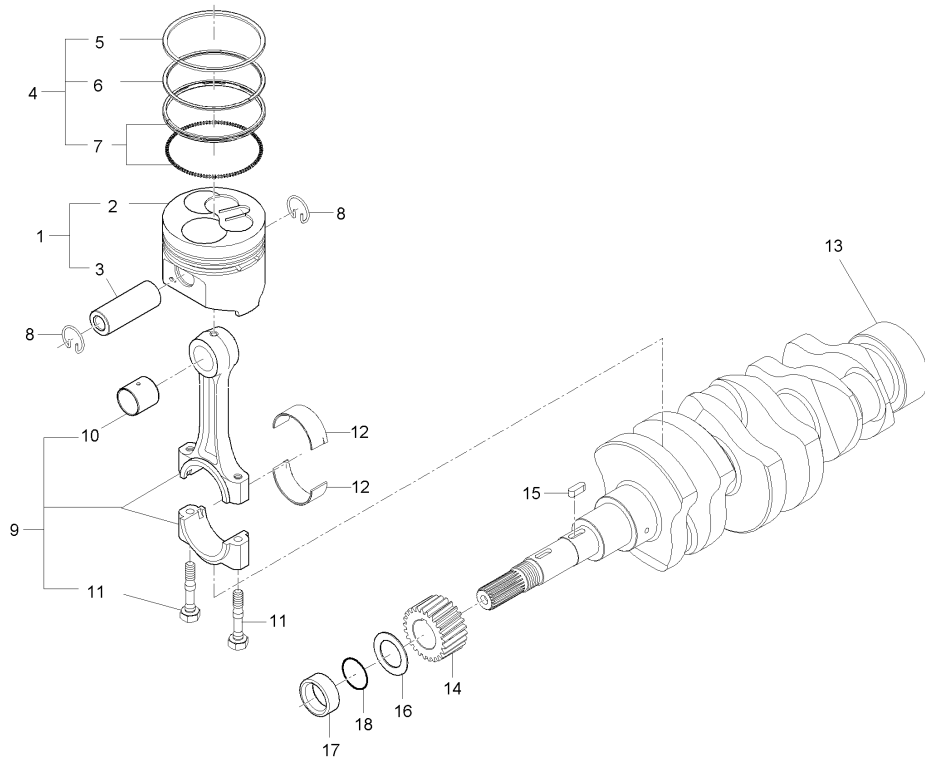
<-0-> Interchangeable with another part(s)

<---- New replace Old

<----> Interchangeable

3C100LWU-E110

PISTON & CRANKSHAFT GROUP



A : MEC2240SW-EU , B : MEC2240SA-EU , C : MEC2240ST-EU

No.	Part Number	Description	Q'TY					I.C	Remark
			A	B	C	D	E		
1	E5760-21011	PISTON PIN ASSY	3	3	3				
2	E5760-21111	PISTON	3	3	3				
3	E5760-21311	PIN, PISTON	3	3	3				
4	E5760-21051	PISTON RING ASSY	3	3	3				
5	E5760-21001	PISTON RING, 1	3	3	3				
6	E5700-21105	RING 2, PISTON	3	3	3				
7	E5760-21151	OIL RING ASSY	3	3	3				
8	E5205-21331	RING, SNAP	6	6	6				
9	E5760-22013	CONNECTOR ROD ASSY	3	3	3				
10	E5205-21354	BUSH, PISTON PIN	3	3	3				
11	E5760-22143	BOLT, CONNECTING ROD	6	6	6				
12	E5760-22311	METAL, CRANK PIN	6	6	6				
13	E5760-23011	CRANKSHAFT ASSY	1	1	1				
13	E5760-23012	CRANKSHAFT ASSY	1	1	1			<---->	
14	E5205-24112	GEAR, CRANKSHAFT	1	1	1				
15	05712-00515	KEY	1	1	1				
16	E5205-23311	SLINGER, OIL	1	1	1				
17	E5700-23252	SPACER	1	1	1				
18	04811-10220	O RING	1	1	1				

----> Old replace New

<-X-> Not interchangeable

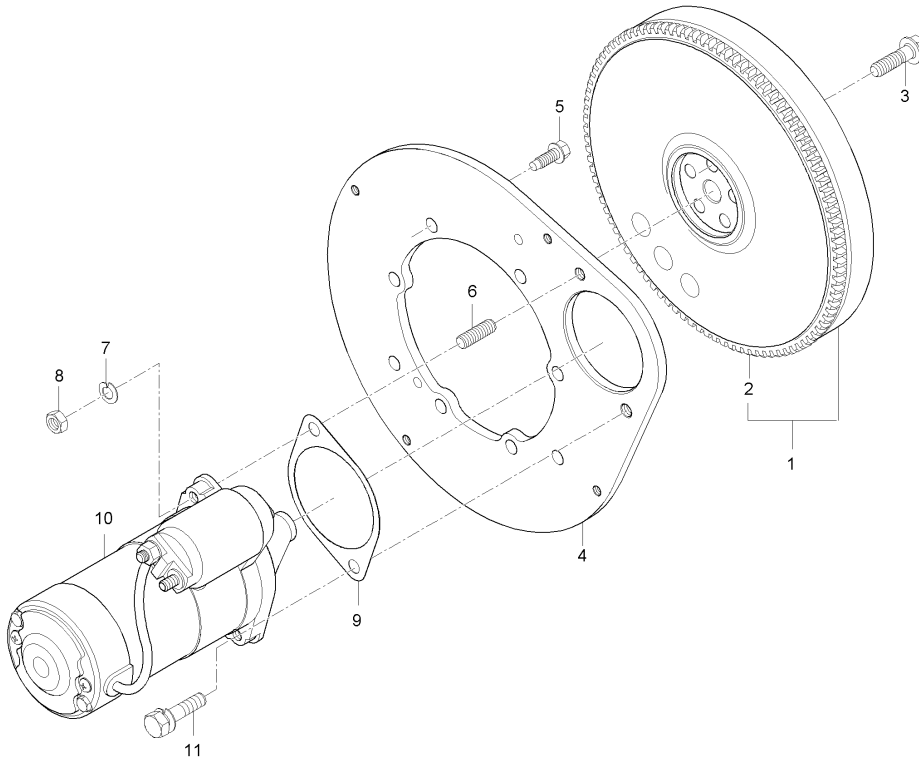
<-0-> Interchangeable with another part(s)

<----> New replace Old

<----> Interchangeable

3C100LWU-E120

FLYWHEEL GROUP



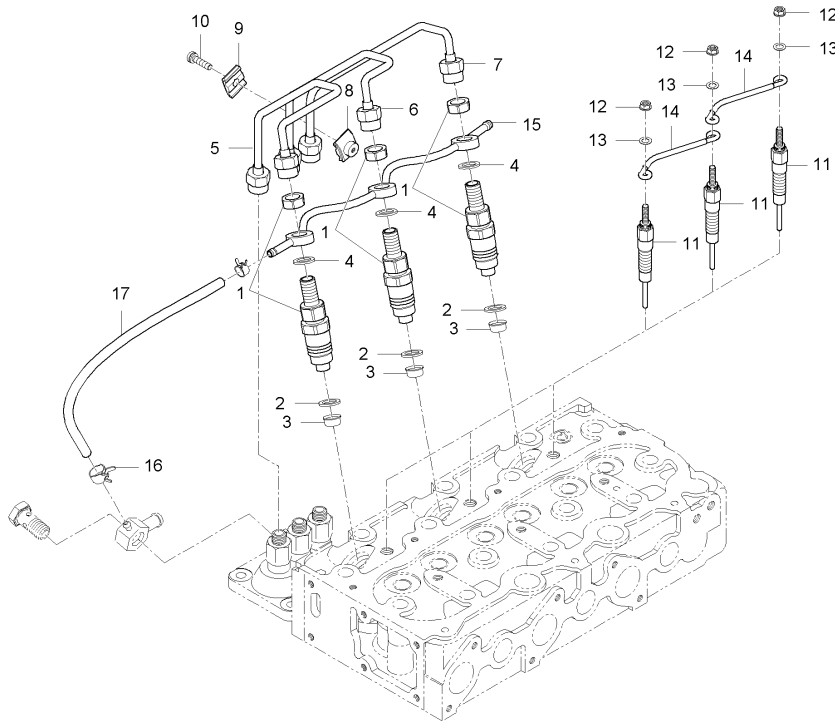
A : MEC2240SW-EU , B : MEC2240SA-EU , C : MEC2240ST-EU

No.	Part Number	Description	Q'TY					I.C	Remark
			A	B	C	D	E		
1	E5775-25012	FLYWHEEL ASSY	1	1	1				
2	E5250-63821	RING GEAR	1	1	1				
3	E5743-25161	BOLT, FLYWHEEL	5	5	5				
4	E5775-04621	PLATE, REAR END	1	1	1				
5	01517-51028	STUD	1	1	1				D1A10*48
6	02176-50100	NUT	1	1	1				M10XP1.25
7	04512-50100	WASHER, SPRING	1	1	1				M10
8	E5752-91141	BOLT, FLANGE WITH PIN	8	8	8				
9	E5700-51162	GASKET	1	1	1				
10	E5760-63011	START MOTOR ASSY	1	1	1				
11	01133-51030	BOLT, WASHER	1	1	1				M10*1.25

----> Old replace New
 <-X-> Not interchangeable
 <-O-> Interchangeable with another part(s)
 <---- New replace Old
 <-> Interchangeable

3C100LWU-E130

NOZZLE HOLDER GROUP



A : MEC2240SW-EU , B : MEC2240SA-EU , C : MEC2240ST-EU

No.	Part Number	Description	Q'TY					I.C	Remark
			A	B	C	D	E		
1	E6300-53005	NOZZLE HOLDER ASSY	3	3	3				
1	E5760-53001	ASSY HOLDER,NOZZLE 1	3	3	3			<----	
2	E6300-53021	GASKET	3	3	3				
3	E6300-53651	SEAL, HEAT SHILD	3	3	3				
4	E6300-53621	GASKET	3	3	3				
5	E5775-53711	TUBE 1, INJECTION	1	1	1				
6	E5775-53721	TUBE 2, INJECTION	1	1	1				
7	E5775-53731	TUBE 3, INJECTION	1	1	1				
8	15121-5385-2	CLAMP 1, TUBE	2	2	2				
9	T4815-67371	HOLDER, TUBE	2	2	2				
10	03024-50520	SCREW, WASHER	2	2	2				DIA10*28
11	E5760-65511	GLOW PLUG	3	3	3				
12	02761-50040	NUT, FLANGE	3	3	3				
13	04012-50050	WASHER, PLAIN	3	3	3				
14	E5760-65562	CORD, GLOW PLUG	2	2	2				
15	E5760-42502	OVERFLOW HOSE ASSY	1	1	1				
16	09318-88080	CLMAP, HOSE	2	2	2				
17	09661-40200	HOSE, FUEL	1	1	1				

----> Old replace New

<-X-> Not interchangeable

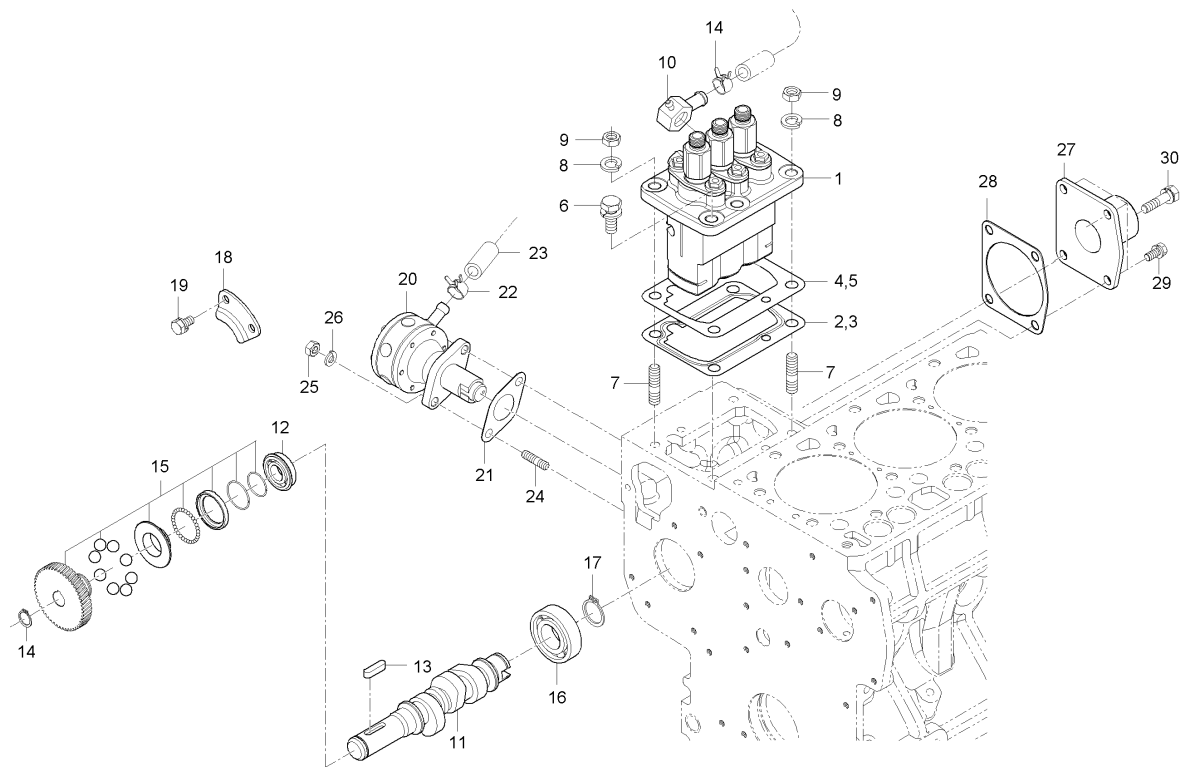
<-0-> Interchangeable with another part(s)

<---- New replace Old

<----> Interchangeable

3C100LWU-E140

FUEL CAMSHAFT GROUP



A : MEC2240SW-EU , B : MEC2240SA-EU , C : MEC2240ST-EU

No.	Part Number	Description	Q'TY					I.C	Remark
			A	B	C	D	E		
1	E5700-51016	ASSY PUMP,INJECTION	1	1	1				
2	E8103-52111	SHIM,INJECTION PUMP	2	2	2				
3	E5603-52111	SHIM,INJECTION PUMP	2	2	2				
4	15321-5216-1	SHIM, INJECTION PUMP 10	1	1	1				
5	E5800-52111	SHIM 3, INJECTION PUMP	99	99	99				
6	01123-50818	BOLT, WASHER	2	2	2				M8*P1.25
7	01513-50822	STUD	2	2	2				M8*1.25
8	04512-50080	SPRING WASHER	2	2	2				M08
9	02156-50080	NUT	2	2	2				M8XP1.25
10	E6500-42413	JOINT, FUEL PIPE	1	1	1				
11	E5760-16171	FUEL CAMSHAFT	1	1	1				
12	08153-06004	BALL BEARING	1	1	1				#6004
13	05712-00520	KEY, ROUND	1	1	1				
14	04612-00180	SNAP RING	1	1	1				
15	E5700-A0021	GOVERNOR SLEEVE ASSY	1	1	1				
16	08103-06004	BALL BEARING	1	1	1				#6004
17	04612-00190	SNAP RING	1	1	1				
18	E5205-16321	FUEL CAMSHAFT STOPPER	1	1	1				
19	01023-50612	BOLT, WASHER	2	2	2				M6*P1.0

----> Old replace New

<-X-> Not interchangeable

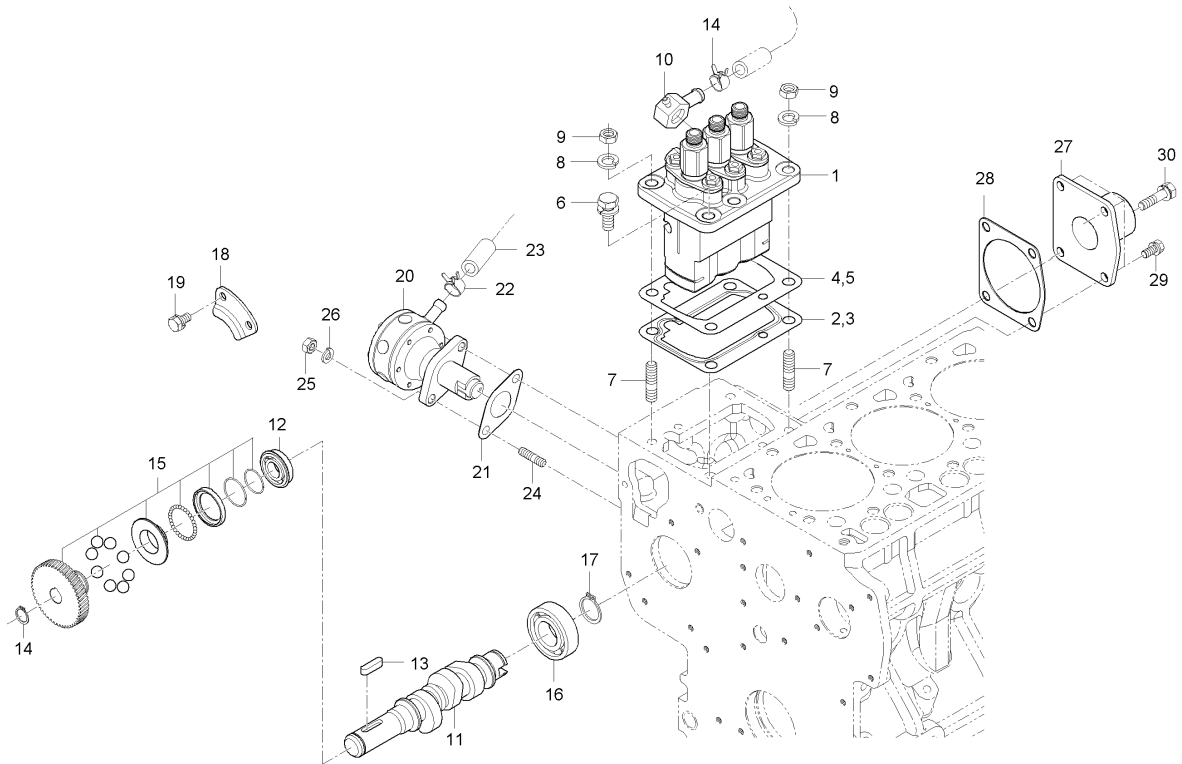
<-0-> Interchangeable with another part(s)

<---- New replace Old

<----> Interchangeable

3C100LWU-E140

FUEL CAMSHAFT GROUP



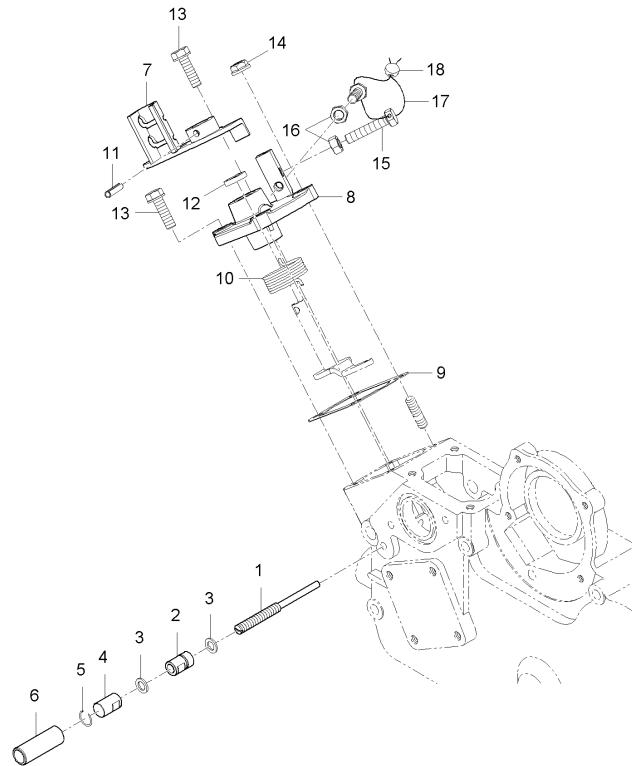
A : MEC2240SW-EU , B : MEC2240SA-EU , C : MEC2240ST-EU

No.	Part Number	Description	Q'TY					I.C	Remark
			A	B	C	D	E		
20	E5775-52031	FUEL PUMP ASSY	1	1	1				
21	E6200-52142	GASKET, FUEL PUMP	1	1	1				
22	14911-4275-1	CLIP, TUBE	2	2	2				
23	15371-4217-0	HOSE 1, FUEL	1	1	1				
24	01513-50618	STUD	2	2	2				M6*1.0
25	02056-50060	NUT	2	2	2				M6*P1.0
26	04512-50060	WASHER, SPRING	2	2	2				M6
27	E5760-16211	COVER, CAMSHAFT	1	1	1				
28	E5760-36332	GASKET, FUEL CAMSHAFT COVER	1	1	1				
29	01123-50818	BOLT, WASHER	3	3	3				M8*P1.25
30	01123-50830	BOLT, WASHER	1	1	1				M8P1.25*30

----> Old replace New
 <-X-> Not interchangeable
 <-0-> Interchangeable with another part(s)
 <---> New replace Old
 <---> Interchangeable

3C100A-E150

SPEED CONTROL LEVER GROUP



A : MEC2240SW-EU , B : MEC2240SA-EU , C : MEC2240ST-EU

No.	Part Number	Description	Q'TY					I.C	Remark
			A	B	C	D	E		
1	E5760-54123	BOLT, FUEL ADJUSTING	1	1	1				
2	E6305-92021	NUT	1	1	1				
3	E6305-96652	GASKET	2	2	2				
4	E6305-54221	CAP NUT	1	1	1				
5	E6305-54281	SNAP RING	1	1	1				
6	E6305-54421	CAP	1	1	1				
7	E5760-57151	LEVER, SPEED CONTROL	1	1	1				
8	E5850-57112	PLATE, SPEED CONTROL	1	1	1				
9	E5850-57212	GASKET, SPEED CONTROL PLATE	1	1	1				
10	E5850-57921	SPRING	1	1	1				
10	E5850-57922	SPRING	1	1	1			<--->	
11	05411-00420	PIN, SPRING	1	1	1				
12	15471-5798-1	SEAL, OIL	1	1	1				
13	01754-50620	BOLT, FLANGE	3	3	3				
14	02751-50060	FLANGE NUT	1	1	1				M6*P1.0
15	E5753-57281	SCREW, STOPPER	1	1	1				
16	02056-50060	NUT	2	2	2				M6*P1.0
17	07811-10820	WIRE	1	1	1				
18	07918-00001	LEAD, SEALING	1	1	1				

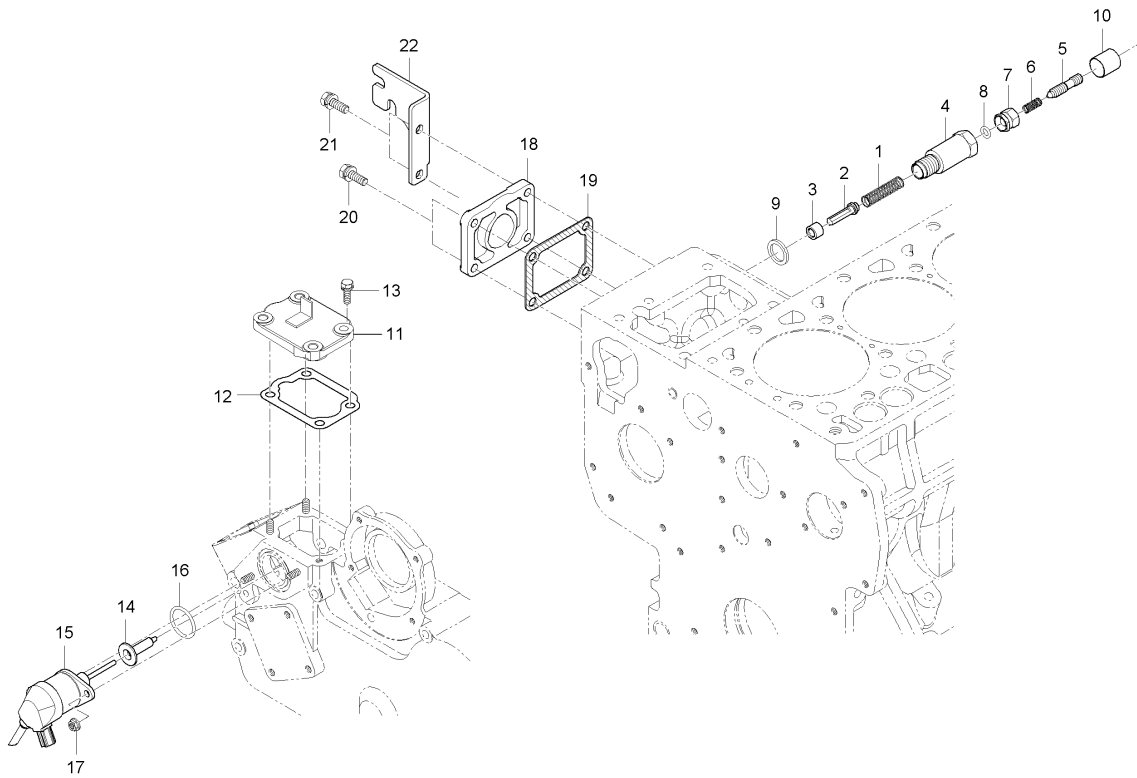
----> Old replace New

<-X-> Not interchangeable

<-0-> Interchangeable with another part(s)

<---- New replace Old

<----> Interchangeable



A : MEC2240SW-EU , B : MEC2240SA-EU , C : MEC2240ST-EU

No.	Part Number	Description	Q'TY					I.C	Remark
			A	B	C	D	E		
1	E5760-56481	START SPRING	1	1	1				
2	E5850-54272	SHAFT, IDLE ADJUSTMENT	1	1	1				
3	E5850-54282	BUSH	1	1	1				
4	E5850-54291	ADJUSTMENT BODY, IDLE	1	1	1				
5	E5850-54252	IDEL ADJUSTING BOLT	1	1	1				
6	E5760-54263	SPRING, IDLE LIMIT	1	1	1				
7	E5850-92011	NUT	1	1	1				
8	04811-00060	O RING	1	1	1				
9	04724-00140	PACKING	1	1	1				
10	E5205-54271	CAP	1	1	1				
11	E6850-57312	COVER, ENGINE STOP LEVER	1	1	1				
11	E6850-57313	COVER, ENGINE STOP LEVER	1	1	1			<---->	
12	E5850-57212	GASKET, SPEED CONTROL PLATE	1	1	1				
13	01754-50616	BOLT, FLANGE	2	2	2				M6*P1.0
14	E5760-56602	ENGINE STOP SOLENOIDE GUIDE	1	1	1				
15	E6820-60011	GROUP,ENGINE STOP SOLENOIDE	1	1	1				
16	04814-06310	O RING	1	1	1				
17	02751-50060	FLANGE NUT	2	2	2				M6*P1.0
18	E5760-33111	COVER, INJECTION PUMP	1	1	1				

----> Old replace New

<-X-> Not interchangeable

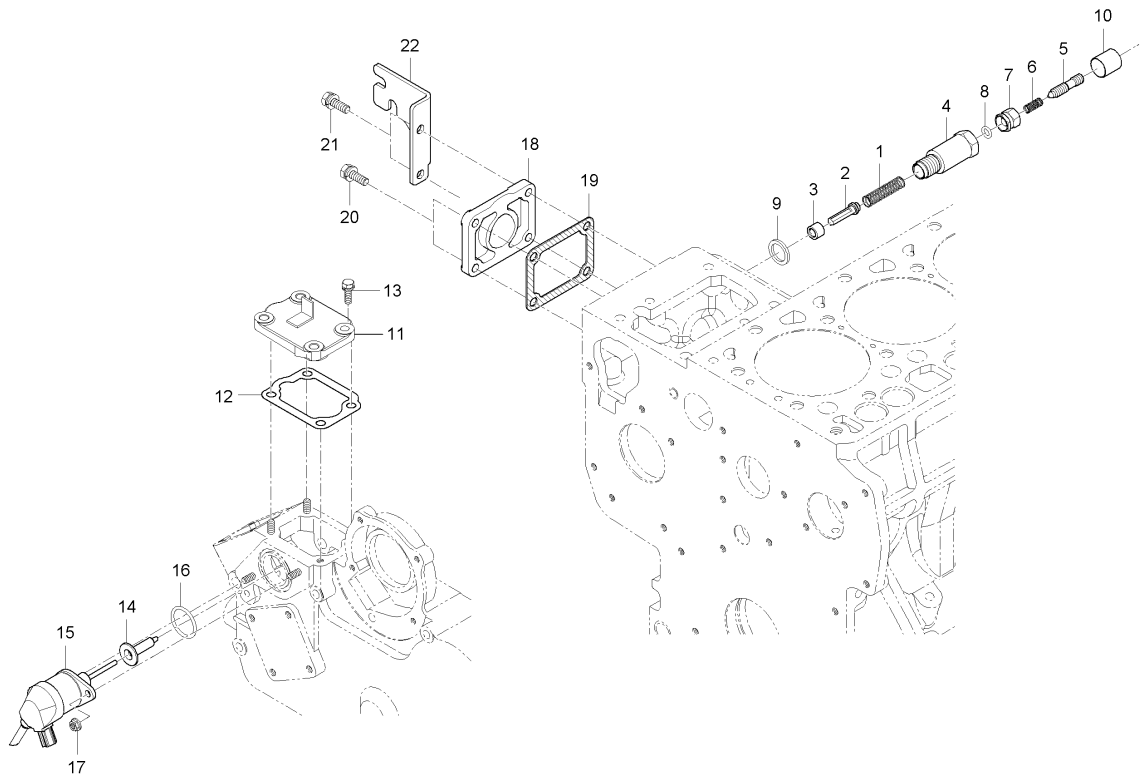
<-0-> Interchangeable with another part(s)

<----> New replace Old

<----> Interchangeable

3C100LW-C-E160

ENGINE STOP LEVER GROUP



A : MEC2240SW-EU , B : MEC2240SA-EU , C : MEC2240ST-EU

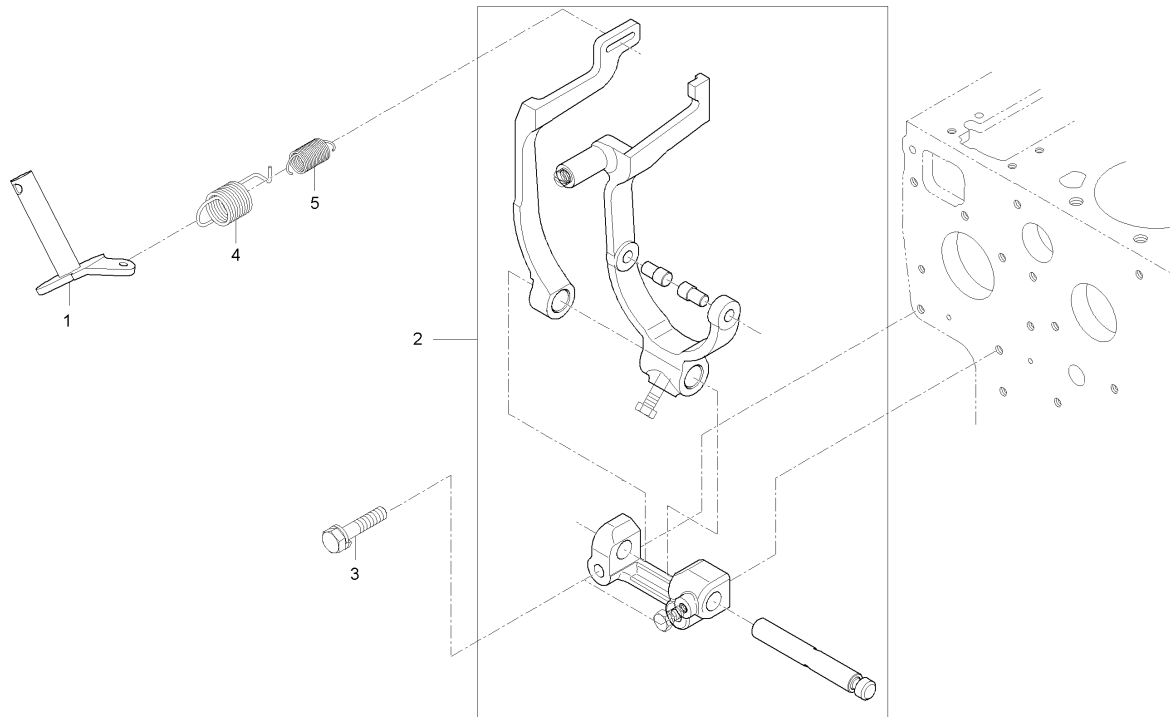
No.	Part Number	Description	Q'TY					I.C	Remark
			A	B	C	D	E		
19	E5500-51662	GASKET	1	1	1				
20	01754-50612	BOLT, FLANGE	2	2	2			M6*1.0	
21	01754-50616	BOLT, FLANGE	2	2	2			M6*P1.0	
22	E5760-57482	BRACKET, CABLE	1	1	1				

----> Old replace New
 <-X-> Not interchangeable
 <-0-> Interchangeable with another part(s)

 <---- New replace Old
 <----> Interchangeable

3C100A-E170

GOVERNOR GROUP



A : MEC2240SW-EU , B : MEC2240SA-EU , C : MEC2240ST-EU

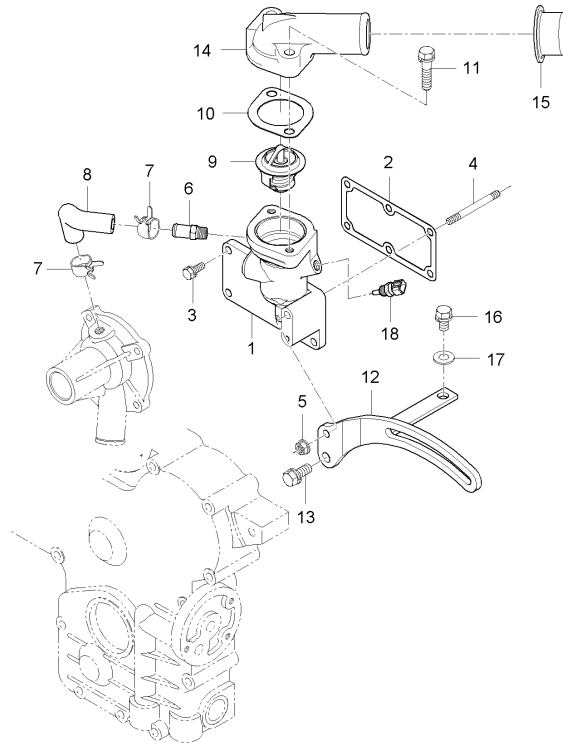
No.	Part Number	Description	Q'TY					I.C	Remark
			A	B	C	D	E		
1	E5760-56021	GOVERNOR LEVER ASSY	1	1	1				
2	E5760-56052	FORK LEVER ASSY	1	1	1				
3	01023-50628	BOLT, WASHER	2	2	2			HEX10*38	
4	E5700-56413	SPRING 1, GOVERNOR	1	1	1				
4	E5700-56414	SPRING 1, GOVERNOR	1	1	1			<---->	
5	15521-5642-1	SPRING 2, GOVERNOR	1	1	1				

<----> Old replace New
 <-X-> Not interchangeable
 <-0-> Interchangeable with another part(s)

<----> New replace Old
 <----> Interchangeable

3C100LWU-E190

WATER HOSE GROUP



A : MEC2240SW-EU , B : MEC2240SA-EU , C : MEC2240ST-EU

No.	Part Number	Description	Q'TY					I.C	Remark
			A	B	C	D	E		
1	E5760-72913	PLANGE, WATER	1	1	1				
2	E5700-72922	GASKET, FLANGE	1	1	1				
3	01023-50616	BOLT, WASHER	5	5	5			M6*P1.0	
4	01513-50655	STUD	1	1	1				
5	02761-50060	FLANGE NUT	1	1	1			M6XP1.0	
6	E5700-73342	HOSE, COOLING WATER RETURN	1	1	1				
7	E5700-73352	HOSE, WATER PUMP	1	1	1				
8	09318-88140	CLMAP, HOSE	2	2	2				
9	E5800-73011	THERMOSTAT ASSY	1	1	1				
10	E5500-73272	GASKET	1	1	1				
11	01754-50835	BOLT, FLANGE	2	2	2				
12	E5760-64423	SUPPORT 1, ALTERNATOR	1	1	1				
13	01754-50820	FLANGE BOLT	1	1	1			M8*P1.25	
13	01754-50816	BOLT, FLANGE	1	1	1		<----	M8*P1.25	
14	E5775-73062	THERMOSTAT COVER ASSY	1	1	1				
15	E5500-74213	COVER, COOLINGWATERPIPE	1	1	1				
16	01123-50814	BOLT, WASHER	1	1	1			M8*P1.25	
16	01125-50816	BOLT, WASHER	1	1	1		<---->	M8*P1.25	
17	04013-50080	WASHER	1	1	1			M8	

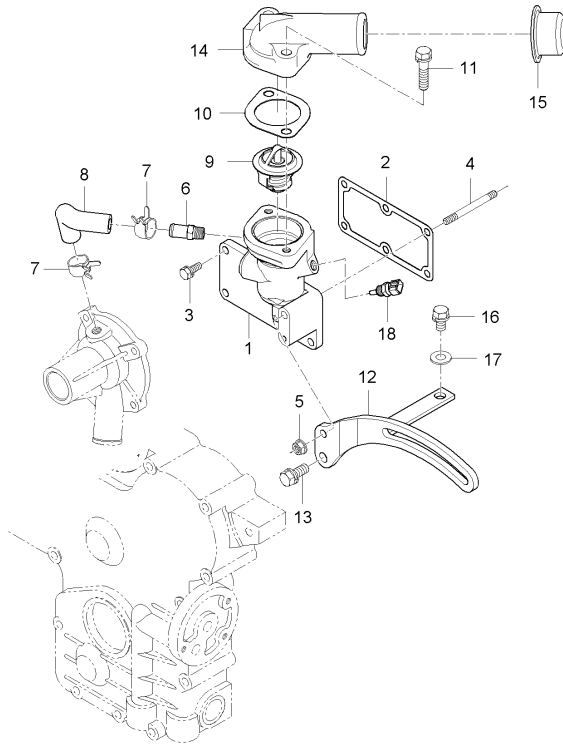
----> Old replace New

<-X-> Not interchangeable

<-0-> Interchangeable with another part(s)

<---- New replace Old

<----> Interchangeable



A : MEC2240SW-EU , B : MEC2240SA-EU , C : MEC2240ST-EU

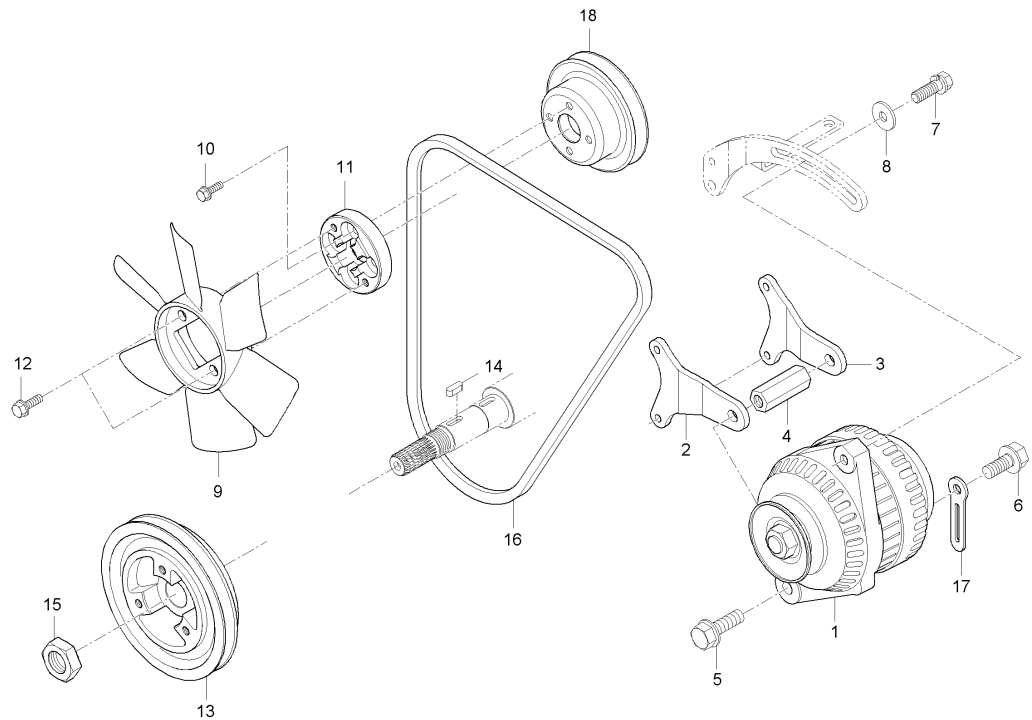
No.	Part Number	Description	Q'TY					I.C	Remark
			A	B	C	D	E		
18	E7240-32731	TEMPERATURE SENSOR ASSY	1	1	1				

----- Old replace New
 <-X-> Not interchangeable
 <-0-> Interchangeable with another part(s)

<----- New replace Old
 <----> Interchangeable

3C100LWU-E200

ALTERNATOR GROUP



A : MEC2240SW-EU , B : MEC2240SA-EU , C : MEC2240ST-EU

No.	Part Number	Description	Q'TY					I.C	Remark
			A	B	C	D	E		
1	E6213-64012	ALTERNATOR ASSY	1	1	1				
2	E5760-64431	SUPPORT 2, ANTERNATOR	1	1	1				
3	E5760-64441	SUPPORT 3, ALTERNATOR	1	1	1				
4	E5760-64451	BUSHING	1	1	1				
5	01774-51045	BOLT, FLANGE	1	1	1				
6	01774-51035	BOLT, FLANGE	1	1	1				
7	01127-50825	BOLT	1	1	1				
8	04015-50080	WASHER, PLAIN	1	1	1				T2.6
9	P5370-29891	FAN, HST	1	1	1				
10	01125-50816	BOLT, WASHER	2	2	2				M8*P1.25
11	E5775-74121	COLLAR,FAN	1	1	1				
12	01754-50616	BOLT, FLANGE	4	4	4				M6*P1.0
13	E5760-74282	PULLEY, FAN DRIVE	1	1	1				
14	05712-00515	KEY	1	1	1				
15	E5205-23361	NUT, CRANKSHAFT	1	1	1				
16	E5770-72531	BELT,FAN	1	1	1				
17	37155-3447-1	CLAMP,CORD	1	1	1				
18	E5752-74251ED	PULLEY, FAN	1	1	1				

----> Old replace New

<-X-> Not interchangeable

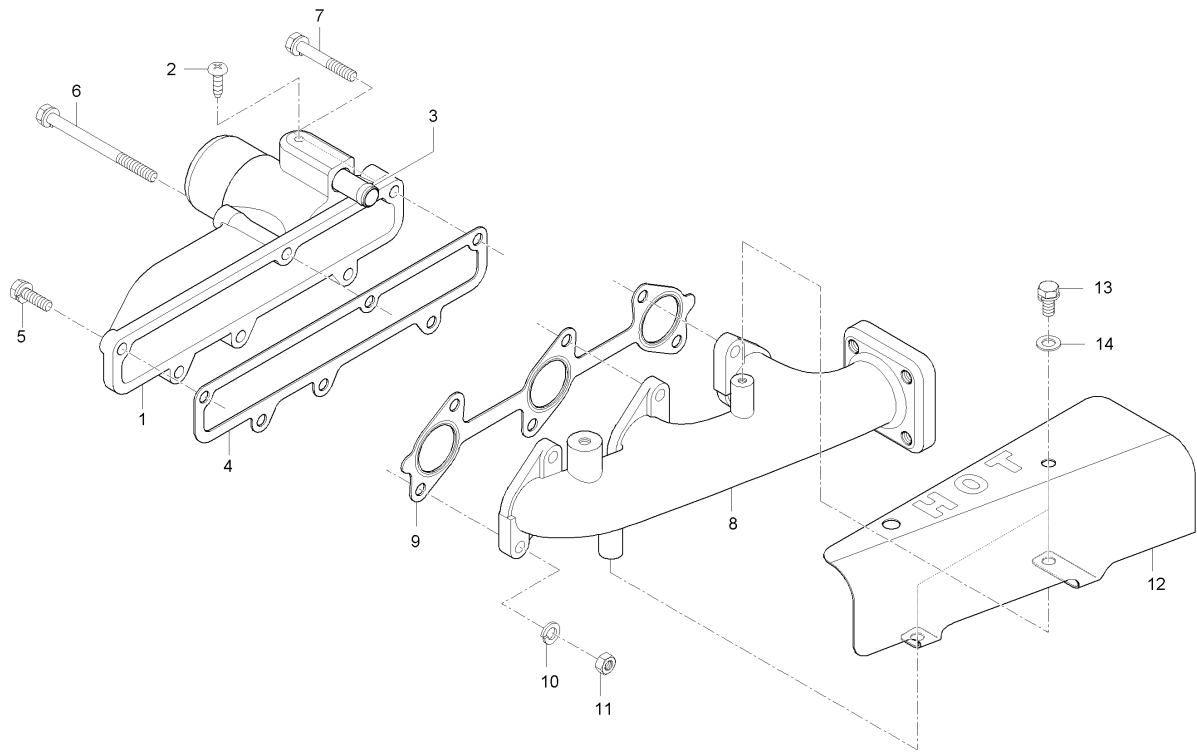
<-0-> Interchangeable with another part(s)

<---- New replace Old

<----> Interchangeable

3C100LWU-E220

MANIFOLD GROUP



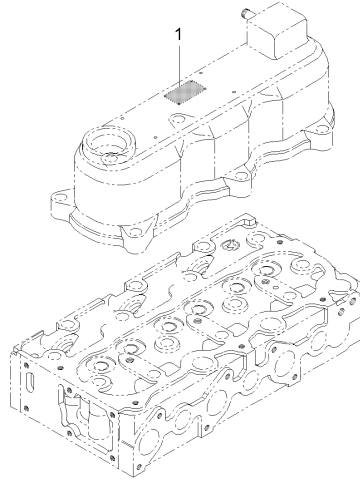
A : MEC2240SW-EU , B : MEC2240SA-EU , C : MEC2240ST-EU

No.	Part Number	Description	Q'TY					I.C	Remark
			A	B	C	D	E		
1	E5775-11762	MANIFOLD,INLET	1	1	1				
2	03014-50608	SCREW	1	1	1				
3	E6510-05552	CONNECTOR, AIR BREATHER HOSE	1	1	1				
4	E5770-11821	GASKET, INTAKE MANIFOLD	1	1	1				
5	01023-50620	BOLT, WASHER	4	4	4			M6*1.0	
6	01023-50630	BOLT, WASHER	1	1	1				
7	01023-50660	BOLT, WASHER	1	1	1			MEX10*71	
8	E5775-12311	MANIFOLD,EXHAUST	1	1	1				
9	E5700-12362	GASKET, EXHAUST MANIFOLD	1	1	1				
10	02056-50060	NUT	6	6	6			M6*P1.0	
11	04512-50060	WASHER, SPRING	6	6	6			M6	
12	E5775-12211	PLATE,HEAT	1	1	1				
13	01023-50610	BOLT, WASHER	3	3	3			M6*1	
14	04013-50060	WASHER, PLAIN	3	3	3			M6	

----- Old replace New
 <-X-> Not interchangeable
 <-0-> Interchangeable with another part(s)
 ----- New replace Old
 ----- Interchangeable

3C100LW-E240

LABEL GROUP



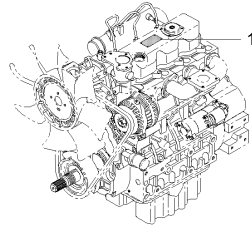
A : MEC2240SW-EU , B : MEC2240SA-EU , C : MEC2240ST-EU

No.	Part Number	Description	Q'TY					I.C	Remark
			A	B	C	D	E		
1	E5775-99011	LABEL,PRODUCT	1	1	1				

----> Old replace New
<-X-> Not interchangeable
<-0-> Interchangeable with another part(s)
<---- New replace Old
<-> Interchangeable

3C100LWU-E240

LABEL GROUP



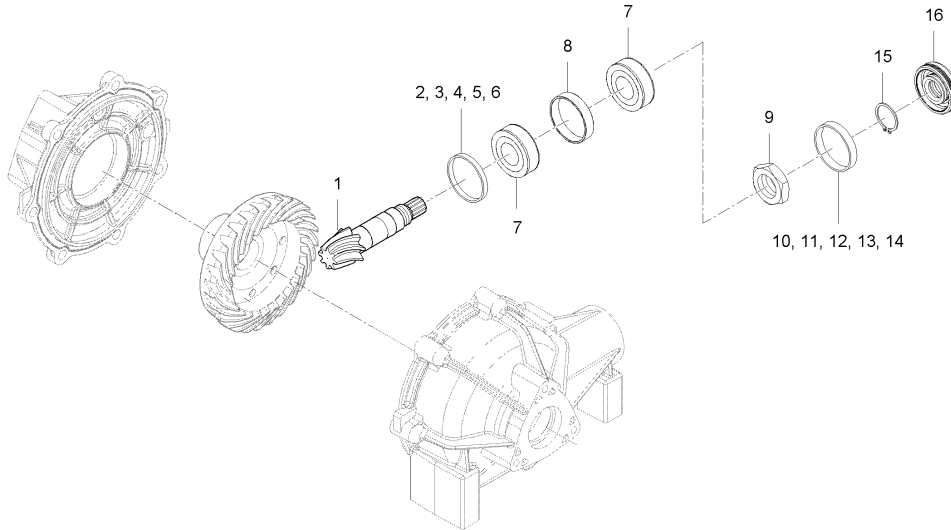
A : MEC2240SW-EU , B : MEC2240SA-EU , C : MEC2240ST-EU

No.	Part Number	Description	Q'TY					I.C	Remark
			A	B	C	D	E		
1	E5776-99011	NAME PLATE	1	1	1				

----> Old replace New <---- New replace Old
 <-X-> Not interchangeable <----> Interchangeable
 <-0-> Interchangeable with another part(s)

U1-T230A

BEVEL PINION SHAFT GROUP



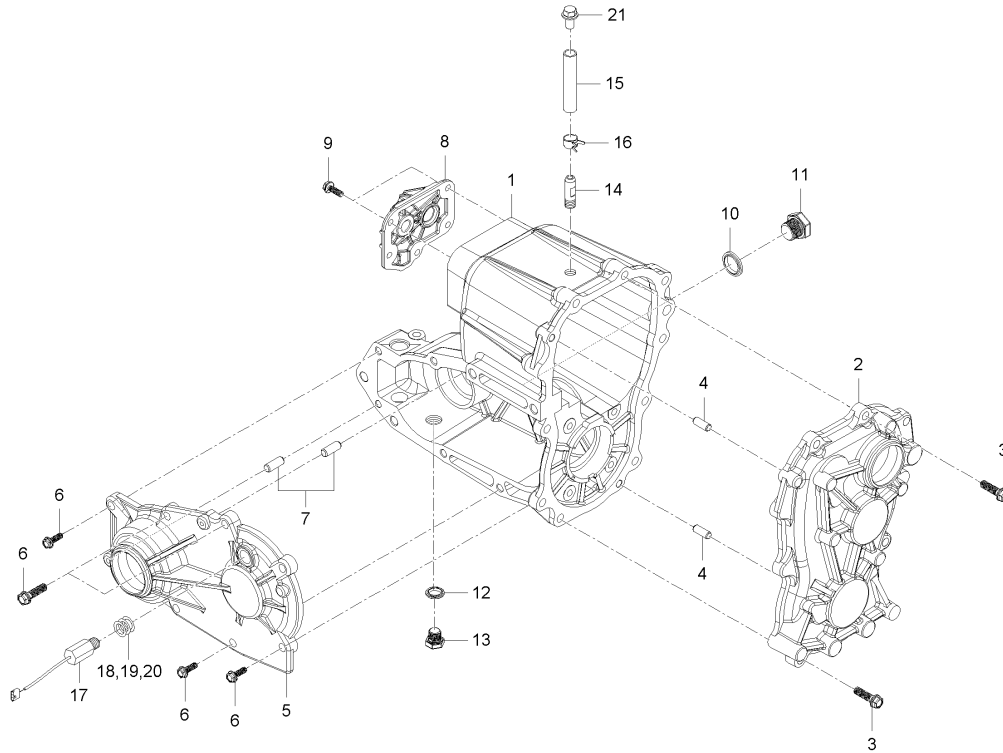
A : MEC2240SW-EU , B : MEC2240SA-EU , C : MEC2240ST-EU

No.	Part Number	Description	Q'TY					I.C	Remark
			A	B	C	D	E		
1	U3215-16211	BEVEL PINION SHAFT 8	1	1	1				
2	T2350-42451	COLLAR, AXLE ADJUSTING FR	1	1	1				
3	T2350-42461	COLLAR, AXLE ADJUSTING FR	1	1	1				
4	T2350-42471	COLLAR, AXLE ADJUSTING FR	1	1	1				
5	T2350-42481	COLLAR, AXLE ADJUSTING FR	1	1	1				
6	T2350-42491	COLLAR, AXLE ADJUSTING FR	1	1	1				
7	08711-30205	BEARING, TAPER ROLLER	2	2	2				#30205
8	T2350-42751	SPACER, 1 FR AXLE	1	1	1				
9	T2350-25361	NUT, 24	1	1	1				
10	T2350-42761	COLLAR 2, AXLE ADJUSTING FR	1	1	1				
11	T2350-42771	COLLAR 2, AXLE ADJUSTING FR	1	1	1				
12	T2350-42781	COLLAR 2, AXLE ADJUSTING FR	1	1	1				
13	T2350-42791	COLLAR 2, AXLE ADJUSTING FR	1	1	1				
14	T2350-42801	COLLAR 2, AXLE ADJUSTING FR	1	1	1				
15	04611-00520	SNAP RING	1	1	1				
16	38440-4424-0	SEAL, OIL	1	1	1				

----- Old replace New
 <-X-> Not interchangeable
 <-0-> Interchangeable with another part(s)
 <----> New replace Old
 <----> Interchangeable

U1-T100A

TRANSMISSION CASE GROUP



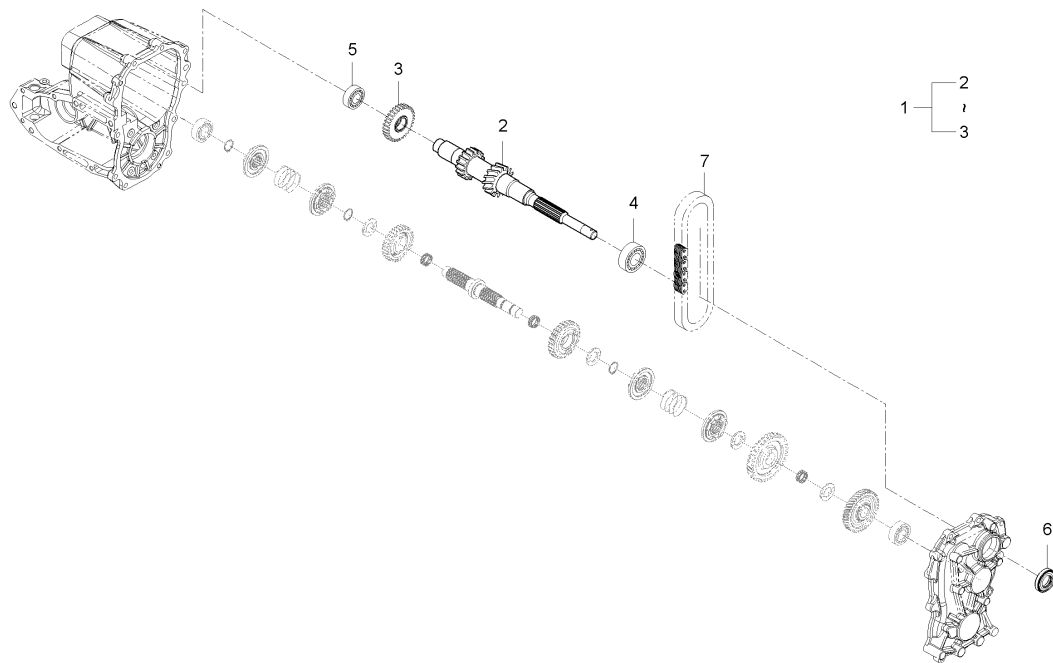
A : MEC2240SW-EU , B : MEC2240SA-EU , C : MEC2240ST-EU

No.	Part Number	Description	Q'TY					I.C	Remark
			A	B	C	D	E		
1	U3215-11142	TRANS MISSION CASE	1	1	1				
2	U3215-11303	COVER, TRANSMISSION CASE	1	1	1				
3	01125-50830	BOLT, WASHER	8	8	8			M8*P1.25	
4	05012-00818	PIN, PARALLEL	2	2	2				
5	U3215-11702	COVER, FRONT AXLE DRIVE	1	1	1				
6	01125-50830	BOLT, WASHER	8	8	8			M8*P1.25	
7	05012-00818	PIN, PARALLEL	2	2	2				
8	U3215-11801	COVER, SHIFT	1	1	1				
9	01025-50620	BOLT, WASHER	5	5	5			M6*P1.0	
10	04717-02000	WASHER, SEAL	1	1	1				
11	06331-35020	PLUG	1	1	1				
12	04717-01600	WASHER, SEAL	1	1	1				
13	06331-35016	PLUG	1	1	1			HEX22*25, M16*P1.5	
14	U3215-16601	CONNECTOR, AIR BREATHER	1	1	1				
15	U3215-16613	HOSE, OVER FLOW	1	1	1				
16	14911-4275-1	CLIP, TUBE	1	1	1				
17	U3215-04931	PICK UP SENSOR	1	1	1				
18	T4682-43561	COLLAR 1.8T, ADJUSTING	1	1	1				
19	T4682-43571	COLLAR 1.0T, ADJUSTING	1	1	1				

----- Old replace New
 <-X-> Not interchangeable
 <-0-> Interchangeable with another part(s)
 ----- New replace Old
 <----> Interchangeable

U1-T110A

DRIVE SHAFT GROUP



A : MEC2240SW-EU , B : MEC2240SA-EU , C : MEC2240ST-EU

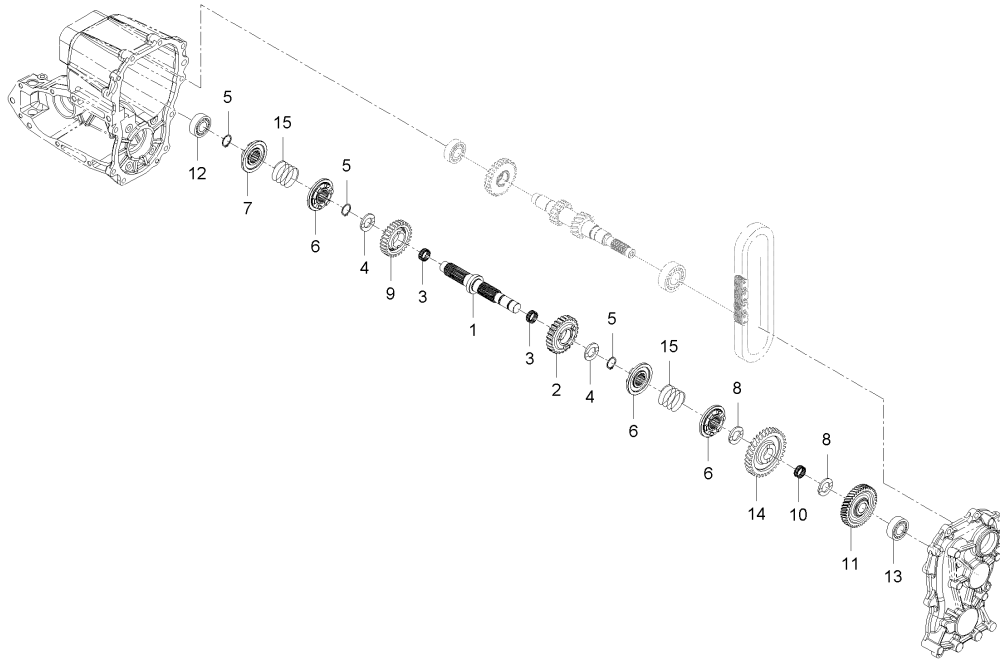
No.	Part Number	Description	Q'TY					I.C	Remark
			A	B	C	D	E		
1	U3215-12104	SHAFT	1	1	1				
2	U3215-12114	SHAFT	1	1	1				
3	U3215-12121	GEAR 31	1	1	1				
4	08101-06205	BALL BEARING	1	1	1			D1A25	
5	08101-06204	BALL BEARING	1	1	1			#6204	
6	U3215-12131	OIL SEAL(25*47*10.5)	1	1	1				
7	U3215-12151	SILENT CHAIN, 36	1	1	1				

----> Old replace New
 <-X-> Not interchangeable
 <-0-> Interchangeable with another part(s)

 <---- New replace Old
 <----> Interchangeable

U1-T120A

SHIFT SHAFT GROUP



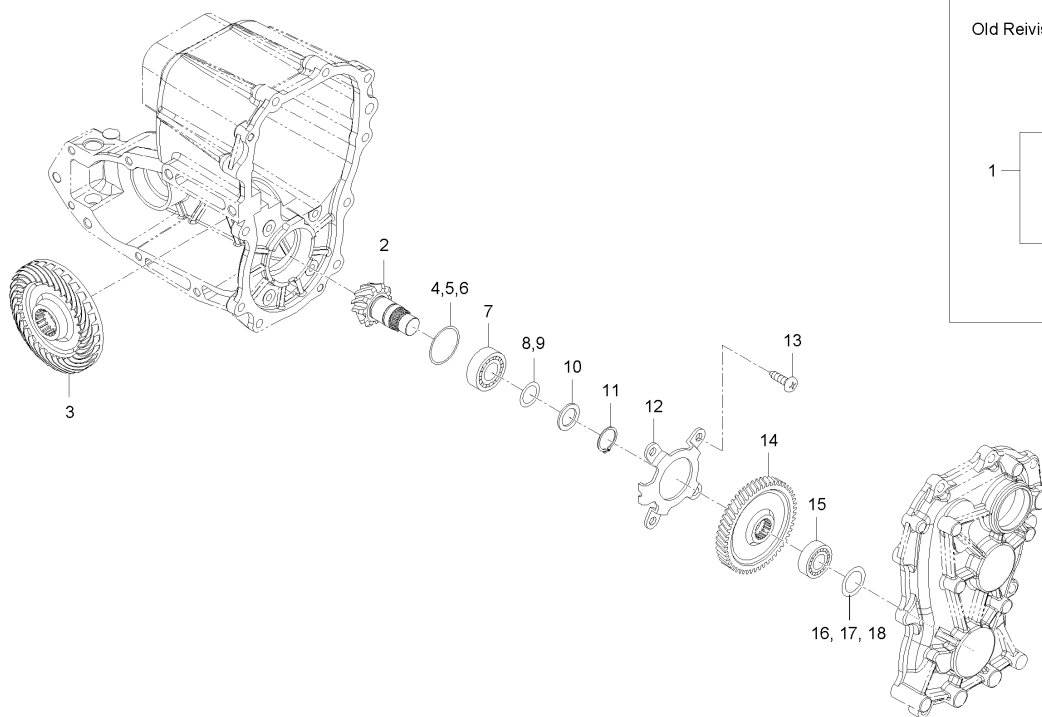
A : MEC2240SW-EU , B : MEC2240SA-EU , C : MEC2240ST-EU

No.	Part Number	Description	Q'TY					I.C	Remark
			A	B	C	D	E		
1	U3215-12211	SHAFT	1	1	1				
2	U3215-12221	SPROCKET, 26T	1	1	1				
3	08822-52913	BEARING, NIDDLE	2	2	2				
4	U3215-12231	COLLAR, THRUST	2	2	2				
5	04612-00240	SNAP RING	3	3	3				
6	U3215-12244	CLUTCH DOG	3	3	3				
7	U3215-12263	CLUTCH DOG	1	1	1				
8	T2305-25241	COLLAR, THRUST	2	2	2				
9	U3215-12251	GEAR 30	1	1	1				
10	08822-02413	BEARING, NIDDLE	1	1	1			DIA20	
11	U3215-12271	GEAR 46	1	1	1				
12	08101-06204	BALL BEARING	1	1	1			#6204	
13	C7130-23471	BALL BEARING	1	1	1				
14	U3215-12291	GEAR, 34	1	1	1				
15	U3215-12313	SPRING CLUTCH	2	2	2				

----- Old replace New
 <-X-> Not interchangeable
 <-0-> Interchangeable with another part(s)
 ----- New replace Old
 ----- Interchangeable

U1-T130A

SPRIAL BEVEL GEAR GROUP



A : MEC2240SW-EU , B : MEC2240SA-EU , C : MEC2240ST-EU

No.	Part Number	Description	Q'TY					I.C	Remark
			A	B	C	D	E		
1	U3215-12402	SPIRAL BEVEL GEAR ASSY	1	1	1				
2	U3215-12411	SHAFT, 10 BEVEL PINION	1	1	1				
3	U3215-12422	BEVEL GEAR, 31	1	1	1				
4	K5400-14571	SHIM	99	99	99				
4	K5400-14572	SHIM	99	99	99			<----	
5	K5400-14581	SHIM	99	99	99				
6	K5400-14591	SHIM	99	99	99				
7	T2610-22661	BALL BEARING	1	1	1				
8	T2185-21661	SHIM, 0.1	99	99	99				
9	T2185-21671	SHIM, 0.2	99	99	99				
10	34150-2156-1	COLLAR	1	1	1				
11	38430-2155-1	SNAP RING	1	1	1				
12	U3215-12452	WINNOW BEARING HOLDER	1	1	1				
13	U3215-12461	BOLT	4	4	4				
14	U3215-12471	GEAR 52	1	1	1				
15	08101-06204	BALL BEARING	1	1	1				#6204
15	U3210-06204	BALL BEARING	1	1	1			<----	
16	K5400-14571	SHIM	99	99	99				
17	K5400-14581	SHIM	99	99	99				

----> Old replace New

<-X-> Not interchangeable

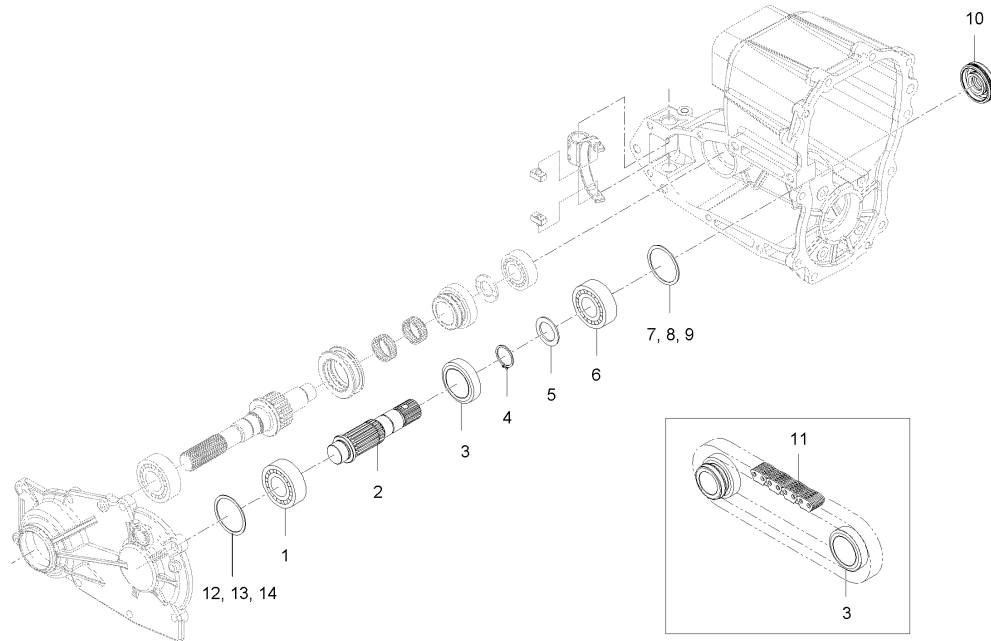
<-0-> Interchangeable with another part(s)

<---- New replace Old

<----> Interchangeable

U1-T140A

REAR WHEEL DRIVING SHAFT GROUP



A : MEC2240SW-EU , B : MEC2240SA-EU , C : MEC2240ST-EU

No.	Part Number	Description	Q'TY					I.C	Remark
			A	B	C	D	E		
1	08101-06205	BALL BEARING	1	1	1				D1A25
2	U3215-12511	SHAFT, REAR DRIVE	1	1	1				
3	U3215-12521	SPROCKET, 22T	1	1	1				
4	04612-00300	SNAP RING	1	1	1				
5	34150-2156-1	COLLAR	1	1	1				
6	08101-06205	BALL BEARING	1	1	1				D1A25
7	T8101-75520	SHIM, 0.1	99	99	99				
8	T8101-75530	SHIM, 0.2	99	99	99				
9	T8101-75540	SHIM, 0.5	99	99	99				
10	U3215-12531	OIL SEAL(25*47*10)	1	1	1				
11	U3215-12551	SILENT CHAIN, 50	1	1	1				
12	T8101-75520	SHIM, 0.1	99	99	99				
13	T8101-75530	SHIM, 0.2	99	99	99				
14	T8101-75540	SHIM, 0.5	99	99	99				

----> Old replace New

<-X-> Not interchangeable

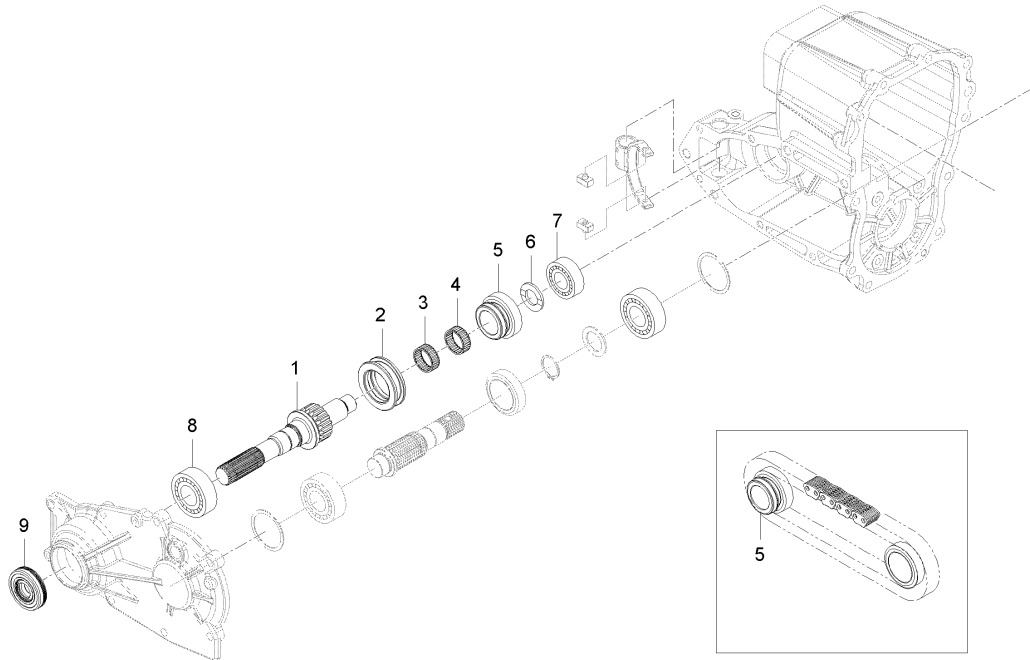
<-0-> Interchangeable with another part(s)

<---- New replace Old

<----> Interchangeable

U1-T150A

FRONT WHEEL DRIVE SHAFT GROUP



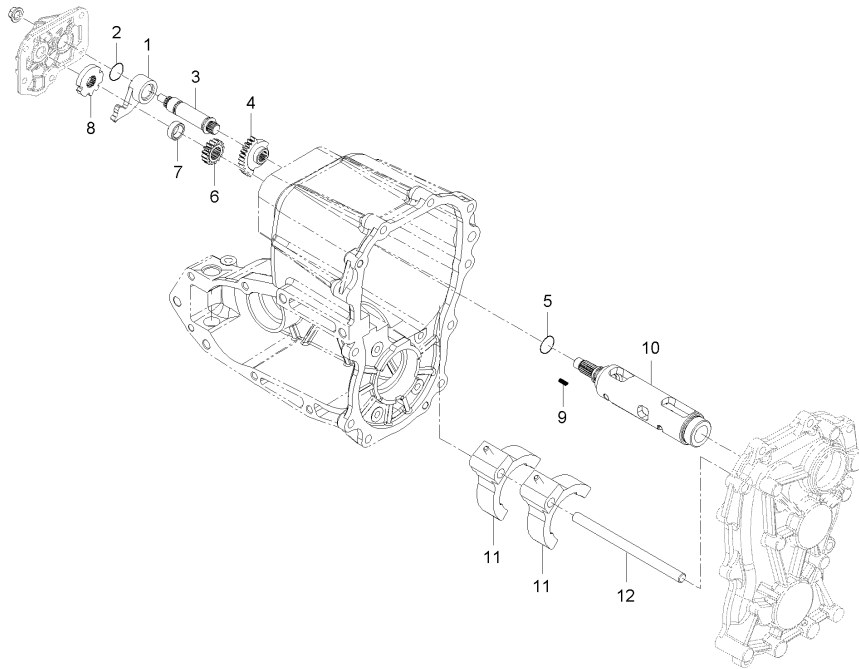
A : MEC2240SW-EU , B : MEC2240SA-EU , C : MEC2240ST-EU

No.	Part Number	Description	Q'TY					I.C	Remark
			A	B	C	D	E		
1	U3215-12612	SHAFT, FRONT DRIVE	1	1	1				
2	U3215-12621	SHIFT, FRONT DRIVE	1	1	1				
3	08822-53013	NEEDLE BEARING	1	1	1				
4	08822-53017	NEEDLE BEARING	1	1	1			NTN ,K253017	
5	U3215-12651	SPROCKET, 19T	1	1	1				
6	31365-2278-1	COLLAR	1	1	1				
7	08101-06304	BALL BEARING	1	1	1			#6304	
8	08101-06205	BALL BEARING	1	1	1			DIA25	
9	U3215-12531	OIL SEAL(25*47*10)	1	1	1				

----- Old replace New
 <-X-> Not interchangeable
 <-0-> Interchangeable with another part(s)
 ----- New replace Old
 ----- Interchangeable

U1-T170A

SHIFT FORK GROUP



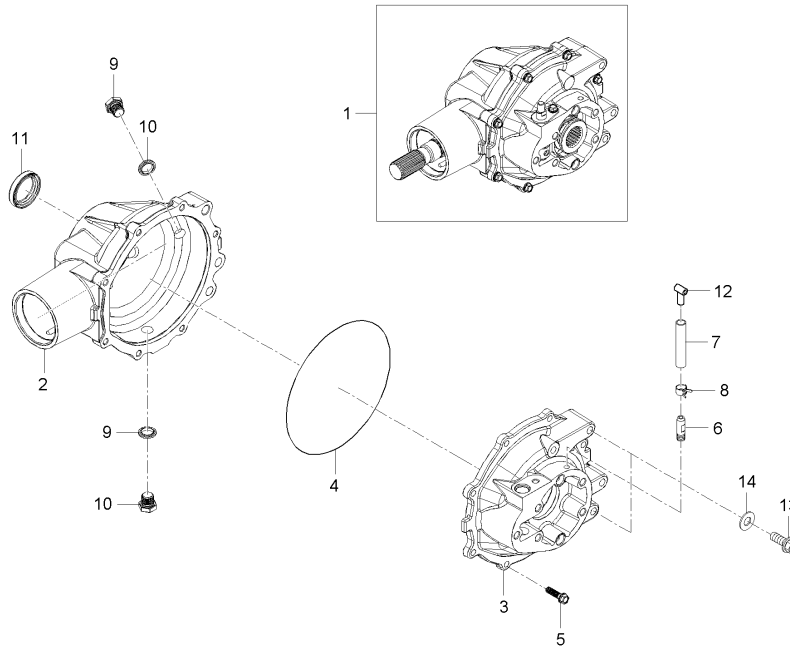
A : MEC2240SW-EU , B : MEC2240SA-EU , C : MEC2240ST-EU

No.	Part Number	Description	Q'TY					I.C	Remark
			A	B	C	D	E		
1	U3215-17211	ARM, LOCK	1	1	1				
2	04811-00120	O RING	1	1	1				
3	U3215-17231	SHAFT	1	1	1				
3	U3215-17232	SHAFT	1	1	1			<----	
4	U3215-17251	GEAR 33	1	1	1				
5	04811-00150	O RING	1	1	1				
6	U3215-17421	GEAR 16	1	1	1				
7	U3215-17431	SPACER	1	1	1				
8	U3215-17442	DISC, SHIFT	1	1	1				
9	U3215-17451	FRICTION SPRING	1	1	1				
10	U3215-18212	LEVER, GUIDE S, CHANGE	1	1	1				
11	U3215-18314	FORK	2	2	2				
12	U3215-18351	ROD, FORK	1	1	1				

----- Old replace New
 <-X-> Not interchangeable
 <-0-> Interchangeable with another part(s)
 ----- New replace Old
 <----> Interchangeable

U1-T180A

REAR AXLE CASE GROUP



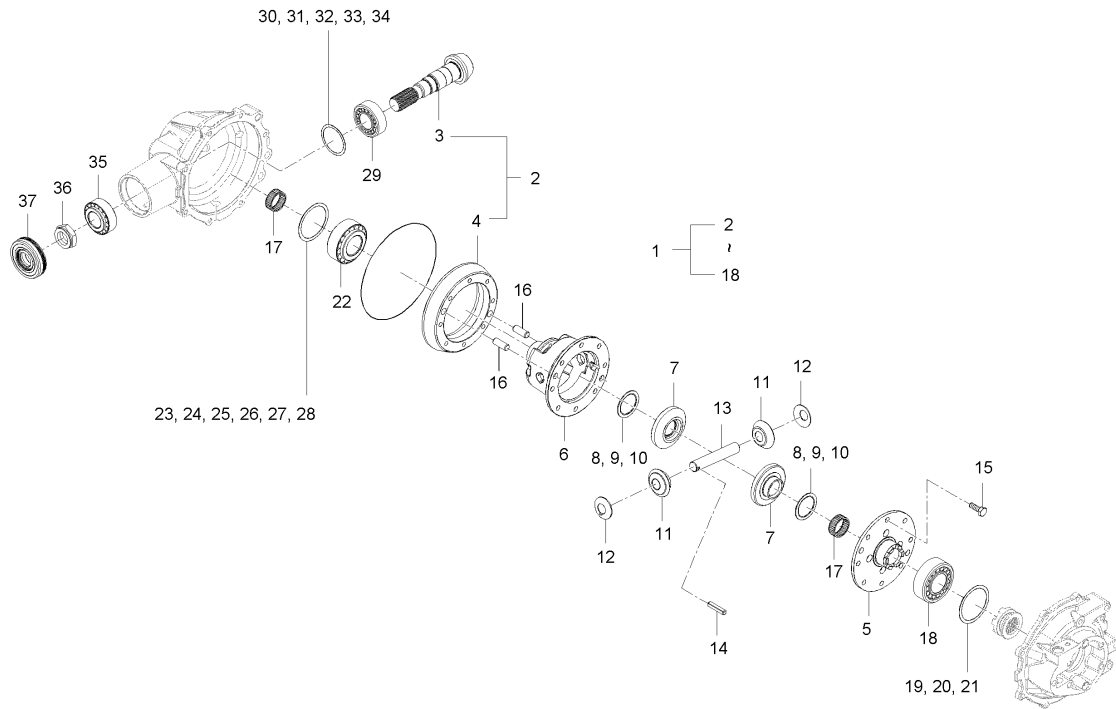
A : MEC2240SW-EU , B : MEC2240SA-EU , C : MEC2240ST-EU

No.	Part Number	Description	Q'TY					I.C	Remark
			A	B	C	D	E		
1	U3215-A3002	REAR AXLE CASE ASS'Y	1	1	1				
2	U3215-13144	CASE, REAR AXLE	1	1	1				
2	U3215-13145	CASE, REAR AXLE	1	1	1			<----	
3	U3215-13303	COVER, REAR AXLE CASE	1	1	1				
4	U3215-13511	O RING	1	1	1				
5	01125-50830	BOLT, WASHER	7	7	7				M8*P1.25
6	U3215-16601	CONNECTOR, AIR BREATHER	1	1	1				
7	U3215-16613	HOSE, OVER FLOW	1	1	1				
8	14911-4275-1	CLIP, TUBE	1	1	1				
9	04717-01600	WASHER, SEAL	2	2	2				
10	06331-35016	PLUG	2	2	2				HEX22*25, M16*P1.5
11	U3215-13221	OIL SEAL(38*54*9.5)	1	1	1				
12	U3215-16621	CONNECTOR, AIR BREATHER	1	1	1				
13	01133-51040	BOLT, WASHER	2	2	2				M10XP1.25X40
14	04013-50100	WASHER, PLAIN	2	2	2				M10

----> Old replace New
 <-X-> Not interchangeable
 <-0-> Interchangeable with another part(s)
 <---- New replace Old
 <----> Interchangeable

U1-T190A

REAR DIFF SYSTEM GROUP



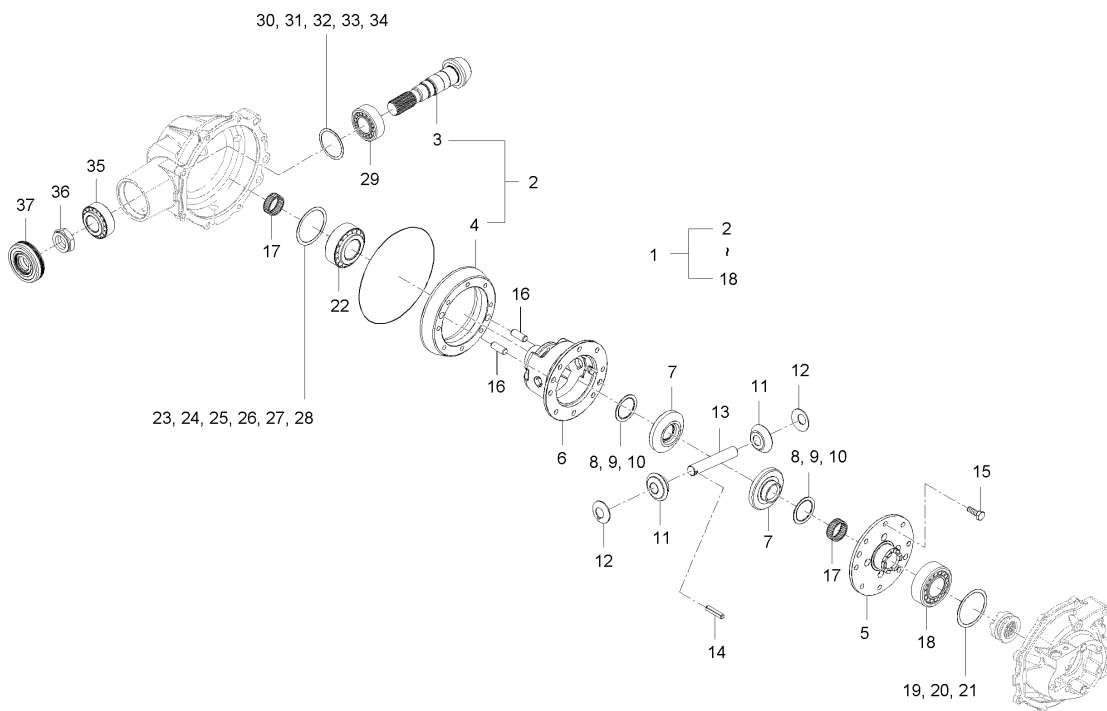
A : MEC2240SW-EU , B : MEC2240SA-EU , C : MEC2240ST-EU

No.	Part Number	Description	Q'TY					I.C	Remark
			A	B	C	D	E		
1	U3215-14103	ASSY DIFFERENTIAL	1	1	1				
1	U3215-14104	ASSY DIFFERENTIAL	1	1	1			<----	
2	U3215-14111	SPIRAL BEVEL GEAR ASSY	1	1	1				
3	U3215-14211	PINION, SPIRAL BEVEL	1	1	1				
4	U3215-14311	GEAR 37, BEVEL	1	1	1				
5	U3215-14122	COVER, DIFFERENTIAL CASE	1	1	1				
6	U3215-14132	CASE, DIFFERENTIAL	1	1	1				
7	U3215-14171	GEAR, DIFF. SIDE	2	2	2				
8	38240-2647-2	WASHER, DIFF.3	99	99	99				
9	37300-2648-1	WASHER 1, DIFF	99	99	99				
10	37300-2649-1	WASHER 2, DIFF	99	99	99				
11	T2240-26354	PINION, DIFFERENTIAL	2	2	2				
11	T2240-26355	PINION, DIFFERENTIAL	2	2	2			<----	
12	31220-2639-2	WASHER, DIFF PINION	2	2	2				
13	U3215-14201	SHAFT, PINION	1	1	1				
14	05411-00430	PIN, SPRING	1	1	1				DIA4*30
15	37800-4387-1	BOLT	6	6	6				
16	37300-2817-2	PIN, PARALLEL	2	2	2				
17	08812-83520	BEARING, NIDDLE	2	2	2				

----- Old replace New
 <-X-> Not interchangeable
 <-0-> Interchangeable with another part(s)
 ----- New replace Old
 <----> Interchangeable

U1-T190A

REAR DIFF SYSTEM GROUP



A : MEC2240SW-EU , B : MEC2240SA-EU , C : MEC2240ST-EU

No.	Part Number	Description	Q'TY					I.C	Remark
			A	B	C	D	E		
18	T5210-32010	BEARING, TAPE ROLLER	1	1	1				
19	T2305-26061	SHIM, 0.1	99	99	99				
20	T2305-26071	SHIM, 0.2	99	99	99				
21	T2305-26081	SHIM, 0.4	99	99	99				
22	T5210-32009	BEARING, TAPE ROLLER	1	1	1				
23	U3215-14601	SHIM, 0.1	99	99	99				
24	U3215-14611	SHIM 0.2	99	99	99				
25	U3215-14621	SHIM, 0.4	99	99	99				
26	U3215-14631	SHIM	99	99	99				
27	U3215-14641	SHIM	99	99	99				
28	U3215-14651	SHIM, 1.2	99	99	99				
29	38630-4329-2	BEARING, TAPER ROLLER	1	1	1				
30	T2185-43861	SHIM, 0.6	99	99	99				
31	T2185-43871	SHIM, 0.8	99	99	99				
32	T2185-43881	SHIM, 1.0	99	99	99				
33	T2185-43891	SHIM, 1.2	99	99	99				
34	T2185-43901	SHIM, 1.4	99	99	99				
35	38630-4329-2	BEARING, TAPER ROLLER	1	1	1				
36	T4810-21621	NUT, 32	1	1	1				

----> Old replace New

<-X-> Not interchangeable

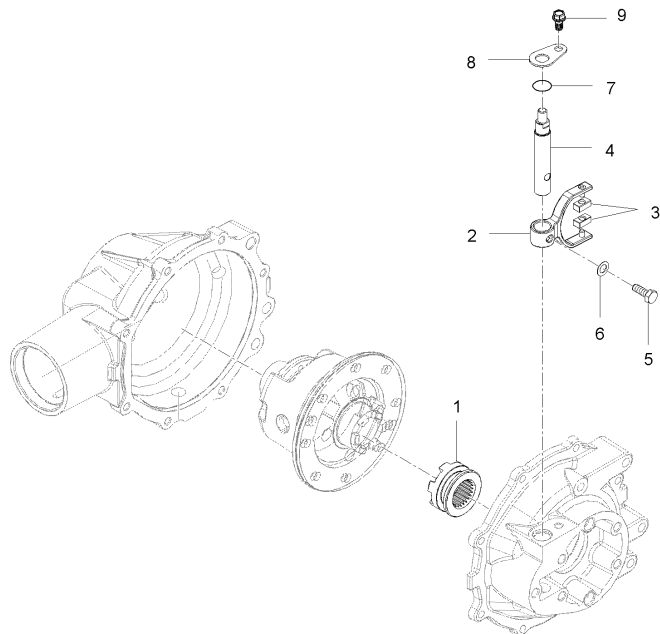
<-0-> Interchangeable with another part(s)

<---- New replace Old

<----> Interchangeable

U1-T200A

REAR DIFF FORK GROUP



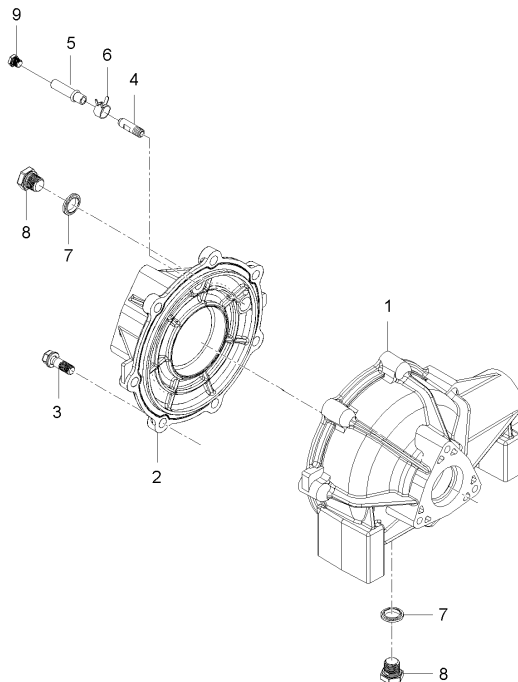
A : MEC2240SW-EU , B : MEC2240SA-EU , C : MEC2240ST-EU

No.	Part Number	Description	Q'TY					I.C	Remark
			A	B	C	D	E		
1	U3215-14552	SHIFT, DIFF.	1	1	1				
2	U3215-14561	FORK, SHAFT	1	1	1				
3	U3215-12641	GUIDE, SHIFT	2	2	2				
4	U3215-14571	ARM, SHIFT(DIFF.)	1	1	1				
5	34220-1451-2	REAMER BOLT	1	1	1				
6	04111-50080	WASHER	1	1	1				
7	04811-00180	O RING	1	1	1			P18	
8	T2305-44281	PLATE, FIXED	1	1	1				
9	01123-50816	BOLT, WASHER	1	1	1			M8*P1.25	

----> Old replace New
 <-X-> Not interchangeable
 <-0-> Interchangeable with another part(s)
 <---- New replace Old
 <----> Interchangeable

U1-T210A

FRONT AXLE CASE GROUP



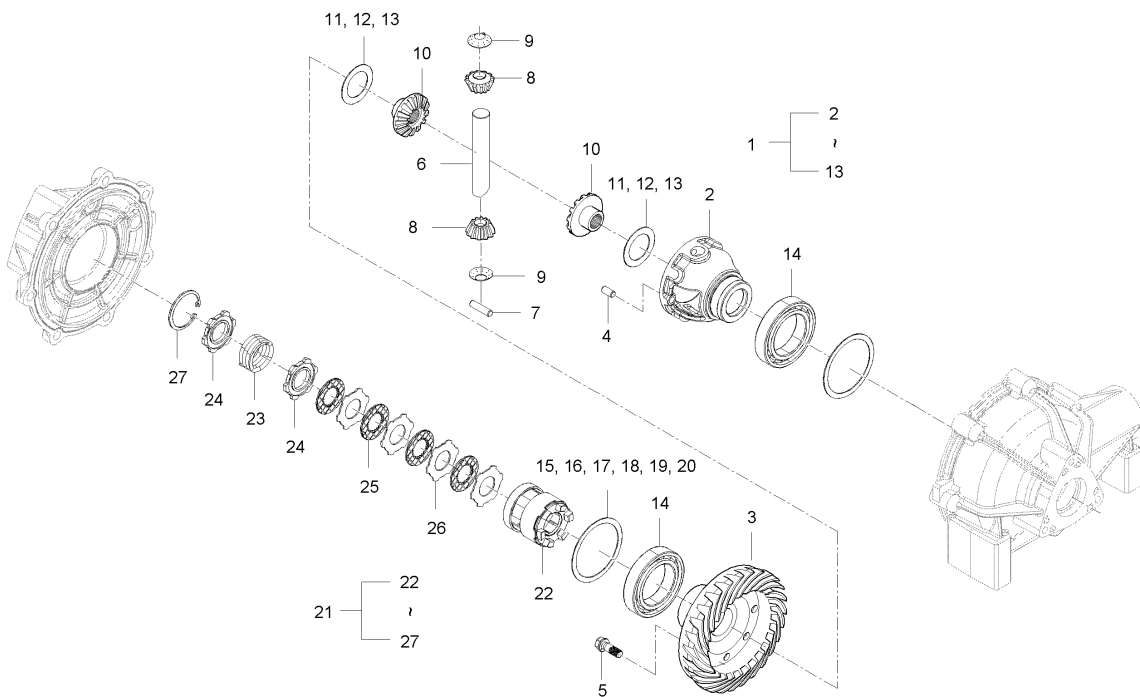
A : MEC2240SW-EU , B : MEC2240SA-EU , C : MEC2240ST-EU

No.	Part Number	Description	Q'TY					I.C	Remark
			A	B	C	D	E		
1	U3215-15141	CASE, FRONT AXLE	1	1	1				
2	U3215-15302	COVER, FRONT CASE	1	1	1				
3	01135-51035	BOLT, WASHER	7	7	7				
4	U3215-16601	CONNECTOR, AIR BREATHER	1	1	1				
5	U3215-16613	HOSE, OVER FLOW	1	1	1				
6	14911-4275-1	CLIP, TUBE	1	1	1				
7	04717-01600	WASHER, SEAL	2	2	2				
8	06331-35016	PLUG	2	2	2				HEX22*25, M16 *P1.5
9	01155-51020	BOLT	1	1	1				

----- Old replace New
 <-X-> Not interchangeable
 <-0-> Interchangeable with another part(s)
 ----- New replace Old
 <----> Interchangeable

U1-T220A

FRONT DIFF SYSTEM GROUP



A : MEC2240SW-EU , B : MEC2240SA-EU , C : MEC2240ST-EU

No.	Part Number	Description	Q'TY					I.C	Remark
			A	B	C	D	E		
1	U3215-16302	DIFF. GEAR CASE ASSY, FR	1	1	1				
2	T4620-43122	CASE, DIFFERENTIAL FR	1	1	1				
3	U3215-16311	GEAR, 34BEVEL	1	1	1				
4	T4520-43181	PIN, PARALLEL	1	1	1				
5	U3215-16161	BOLT, UBS	6	6	6				
6	T4520-43111	SHAFT, DIFFERENTIAL PINION	1	1	1				
7	T4520-43171	PIN, PARALLEL	1	1	1				
8	T4682-43132	PINION, DIFFERENTIAL	2	2	2				
9	T4520-43151	WASHER, DIFF PINION	2	2	2				
10	U3215-16141	GEAR, DIFF. SIDE	2	2	2				
11	T4520-43071	SHIM, 0.8	2	2	2				
12	T4520-43081	SHIM, 1.0	2	2	2				
13	T4520-43091	SHIM, 1.2	2	2	2				
14	T4520-42421	BALL BEARING	2	2	2				
15	T4520-43011	SHIM, 0.1	2	2	2				
16	T4520-43021	SHIM, 0.2	2	2	2				
17	T4520-43031	SHIM, 0.4	2	2	2				
18	T4520-43041	SHIM, 0.8	2	2	2				
19	T4520-43051	SHIM, 1.0	2	2	2				

----> Old replace New

<-X-> Not interchangeable

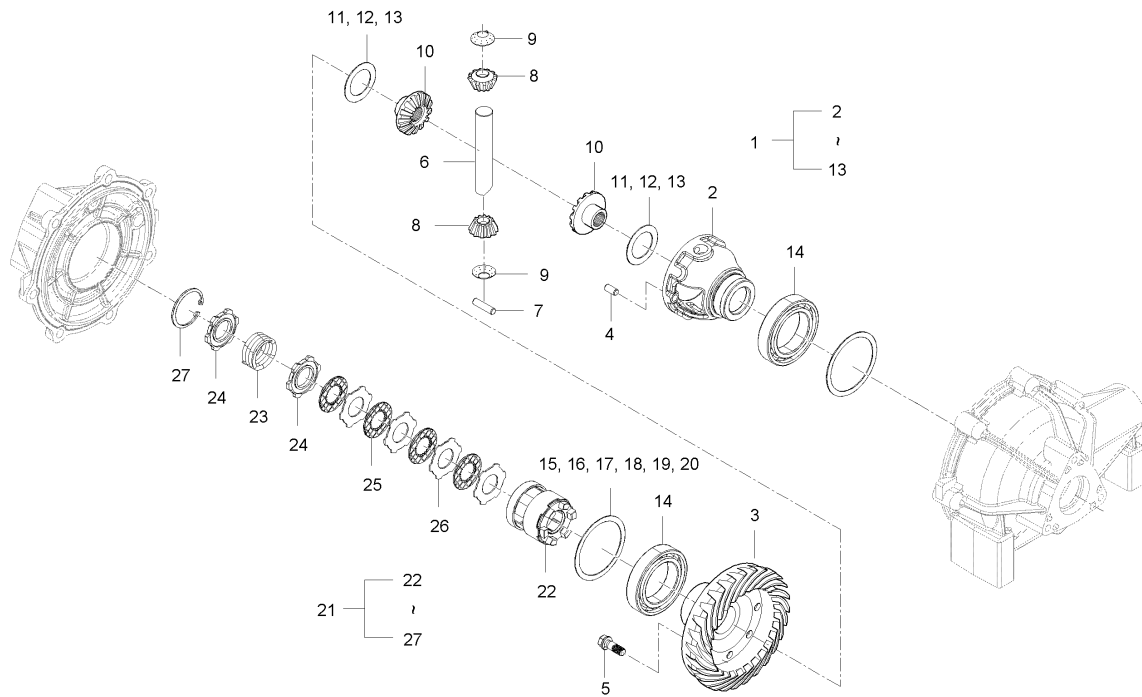
<-0-> Interchangeable with another part(s)

<---- New replace Old

<----> Interchangeable

U1-T220A

FRONT DIFF SYSTEM GROUP



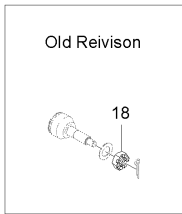
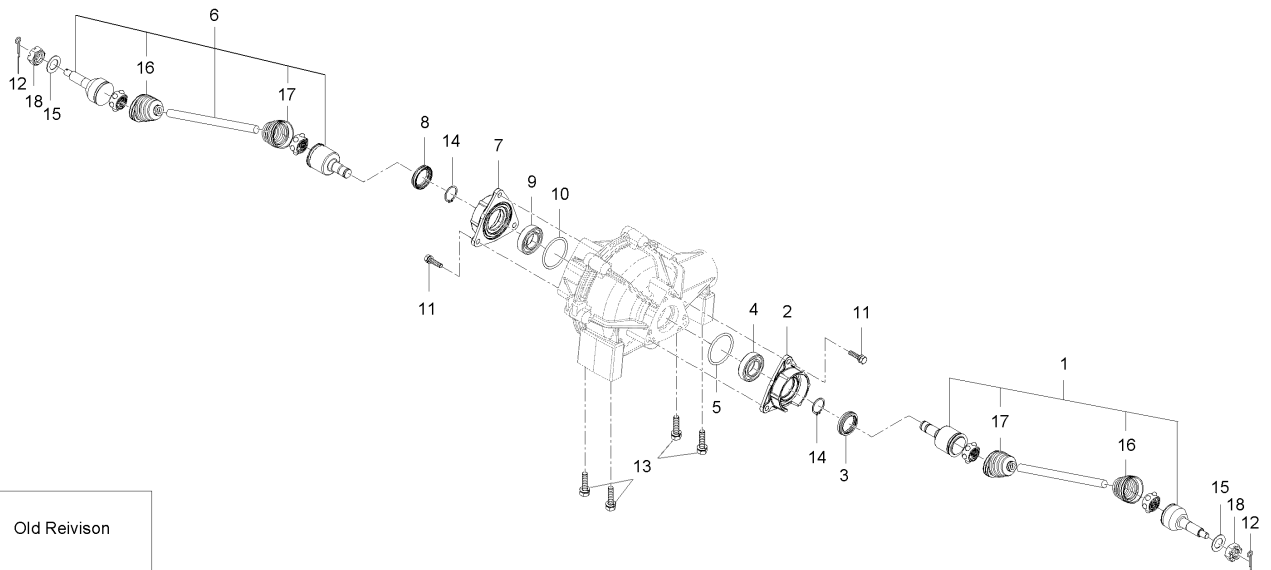
A : MEC2240SW-EU , B : MEC2240SA-EU , C : MEC2240ST-EU

No.	Part Number	Description	Q'TY					I.C	Remark
			A	B	C	D	E		
20	T4520-43061	SHIM, 1.2	2	2	2				
21	U3215-16501	CLUTCH, LSD ASSY	1	1	1				
22	U3215-16511	BODY, CLUTCH	1	1	1				
23	U3215-16521	SPRING CLUTCH	1	1	1				
24	U3215-16531	SHEET, SPRING(T3.5)	2	2	2				
25	U3215-16541	DISK, CLUTCH	4	4	4				
26	U3215-16551	PLATE, CLUTCH 1.5T	4	4	4				
27	04611-00450	SNAP RING	1	1	1				

----- Old replace New
 <-X-> Not interchangeable
 <-0-> Interchangeable with another part(s)
 <----> New replace Old
 <----> Interchangeable

U1-U0230A

Front Axle Drive Group



A : MEC2240SW-EU , B : MEC2240SA-EU , C : MEC2240ST-EU

No.	Part Number	Description	Q'TY					I.C	Remark
			A	B	C	D	E		
1	U3215-19001	Front Drive Shaft_LH	1	1	1				
1	U3215-19002	Front Drive Shaft_LH	1	1	1			<----	
2	U3210-19041	HOLDER,BEARING	2	2	2				
3	U3215-16411	OIL SEAL(30*40*8)	2	2	2				
4	08101-06005	BALL BEARING	2	2	2			#6005	
5	04811-50600	O RING	2	2	2				
6	U3215-19061	Front Drive Shaft_RH	1	1	1				
6	U3215-19062	Front Drive Shaft_RH	1	1	1			<----	
7	U3210-19041	HOLDER,BEARING	1	1	1				
8	U3215-16411	OIL SEAL(30*40*8)	1	1	1				
9	08101-06005	BALL BEARING	1	1	1			#6005	
10	04811-50600	O RING	1	1	1				
11	01125-50820	BOLT, WASHER	6	6	6			M8*P1.25	
12	05511-50435	PIN, SPLIT	2	2	2			DIA4	
13	01135-51025	BOLT	4	4	4			M8*1.25	
14	04612-00250	SNAP RING	2	2	2				
15	04013-50180	WASHER, PLAIN	2	2	2			M18	
16	U3210-19071	BOOT FRT OUTER W/O GREASE	2	2	2				
17	U3210-19081	BOOT REPAIR KIT-FRT I/B (W/ GREASE)	2	2	2				

----> Old replace New

<-X-> Not interchangeable

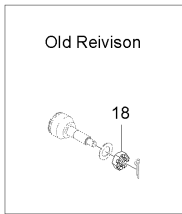
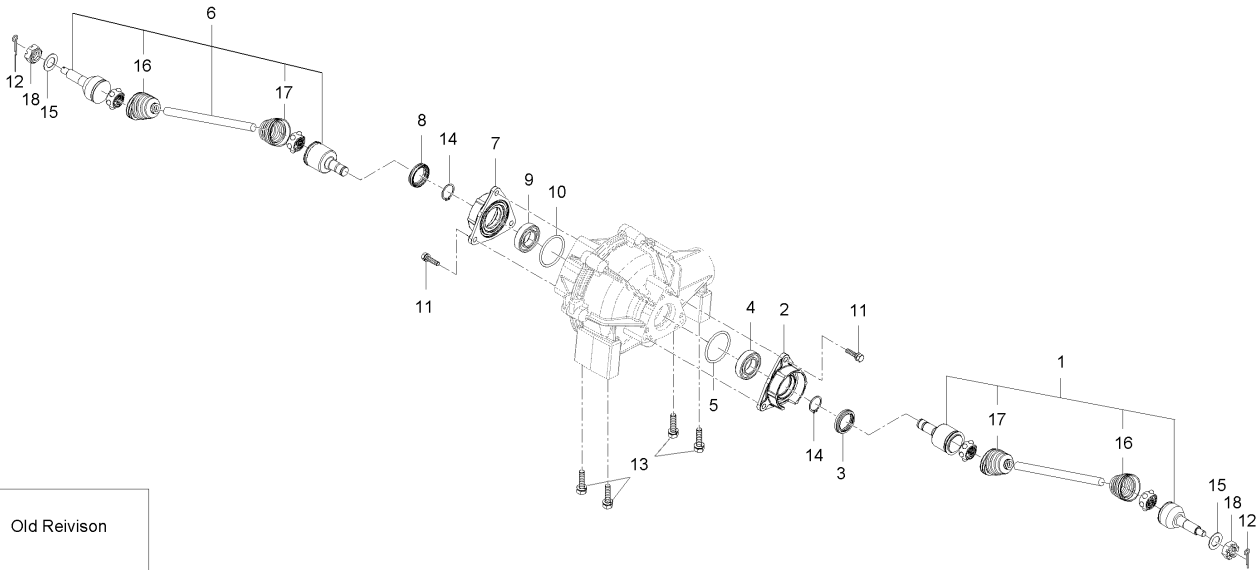
<-0-> Interchangeable with another part(s)

<---- New replace Old

<----> Interchangeable

U1-U0230A

Front Axle Drive Group



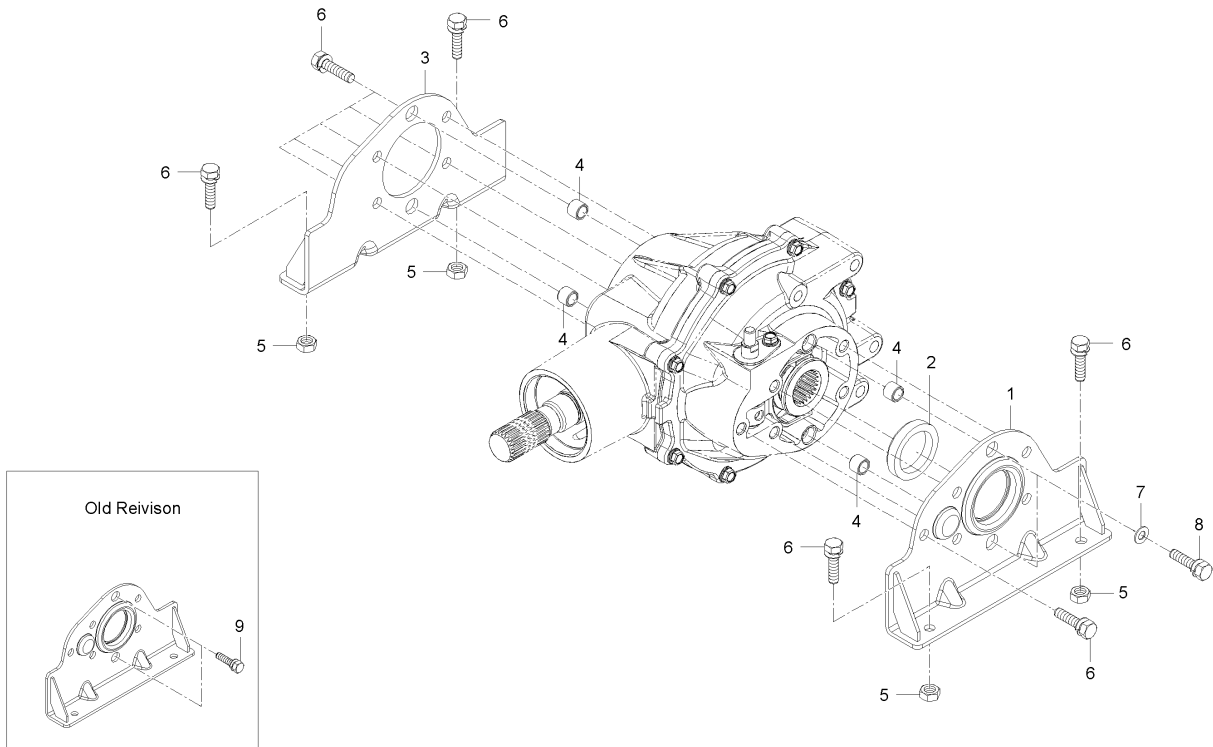
A : MEC2240SW-EU , B : MEC2240SA-EU , C : MEC2240ST-EU

No.	Part Number	Description	Q'TY					I.C	Remark
			A	B	C	D	E		
18	U3210-19021	NUT, CASTLE	2	2	2				
18	U3215-19001015	NUT, CASTLE	1	1	1			<-X->	

----> Old replace New
 <-X-> Not interchangeable
 <-0-> Interchangeable with another part(s)
 <---- New replace Old
 <----> Interchangeable

U1-U0235A

Rear Differential Group



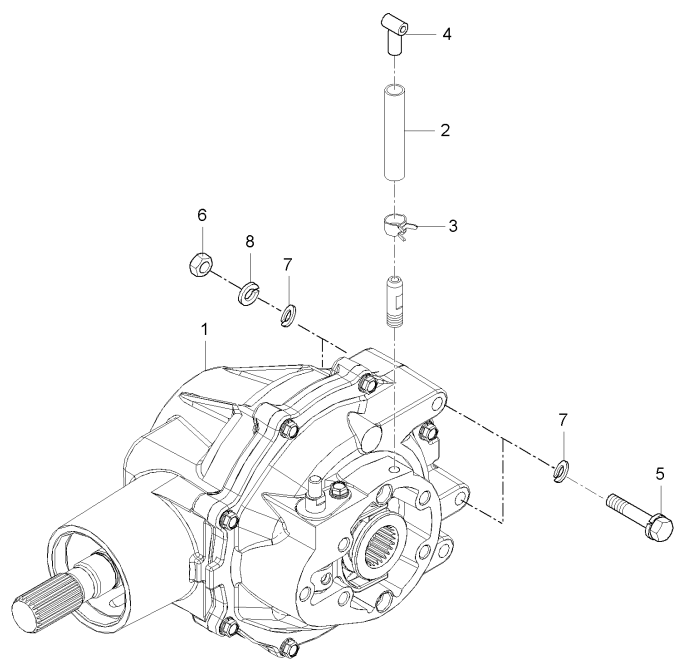
A : MEC2240SW-EU , B : MEC2240SA-EU , C : MEC2240ST-EU

No.	Part Number	Description	Q'TY					I.C	Remark
			A	B	C	D	E		
1	U3210-19211	Bracket Assy - Rear Diff. LH	1	1	1				
1	U3210-19212	Bracket Assy - Rear Diff. LH	1	1	1			<----	
2	U3215-13221	OIL SEAL(38*54*9.5)	1	1	1				
3	U3210-19271	Bracket Assy - Rear Diff., RH	1	1	1				
4	U3210-19291	BUSHING, CENTERING	4	4	4				
4	U3210-19292	BUSHING, CENTERING	4	4	4			<----	
5	02771-50100	FLANGE NUT	4	4	4				M10*1.25
6	01135-51025	BOLT	17	17	17				M8*1.25
7	U3215-50701	WASHER, PLAIN	2	2	2				
8	01133-51030	BOLT, WASHER	2	2	2				M10*1.25
9	01135-51030	BOLT, WASHER	2	2	2				M10*1.25

----> Old replace New
 <-X-> Not interchangeable
 <-0-> Interchangeable with another part(s)
 <---- New replace Old
 <----> Interchangeable

U1-U0300A

Rear Differential Group



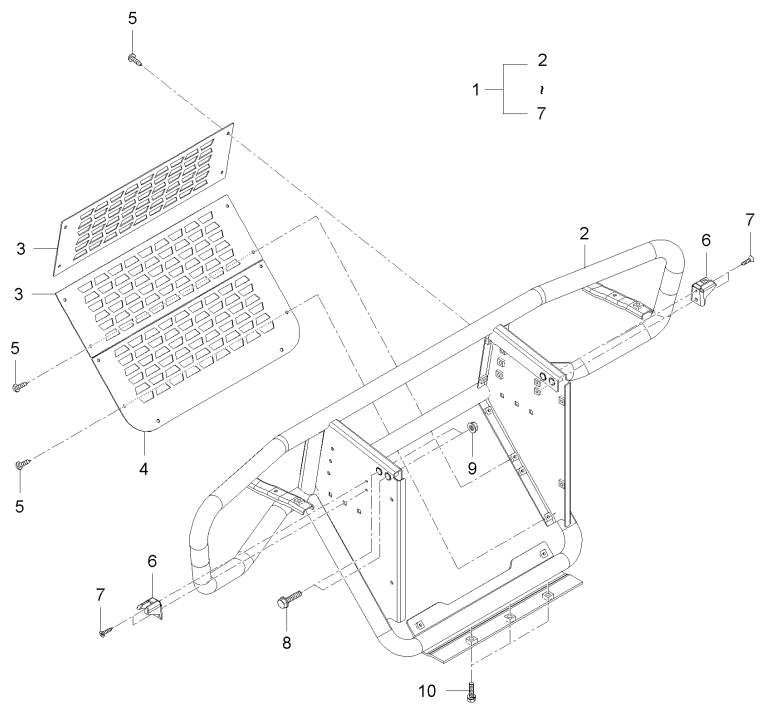
A : MEC2240SW-EU , B : MEC2240SA-EU , C : MEC2240ST-EU

No.	Part Number	Description	Q'TY					I.C	Remark
			A	B	C	D	E		
1	U3215-A3001	REAR AXLE CASE GROUP	1	1	1				
2	U3215-16613	HOSE, OVER FLOW	1	1	1				
3	14911-4275-1	CLIP, TUBE	1	1	1				
4	U3215-16621	CONNECTOR, AIR BREATHER	1	1	1				
5	01173-51055	BOLT	2	2	2				M10X1.25
6	02176-50100	NUT	2	2	2				M10XP1.25
7	04013-50100	WASHER, PLAIN	4	4	4				M10
8	04512-50100	WASHER, SPRING	2	2	2				M10

----> Old replace New
 <-X-> Not interchangeable
 <-0-> Interchangeable with another part(s)
 <---- New replace Old
 <----> Interchangeable

U1-U0210A

Guard Group



A : MEC2240SW-EU , B : MEC2240SA-EU , C : MEC2240ST-EU

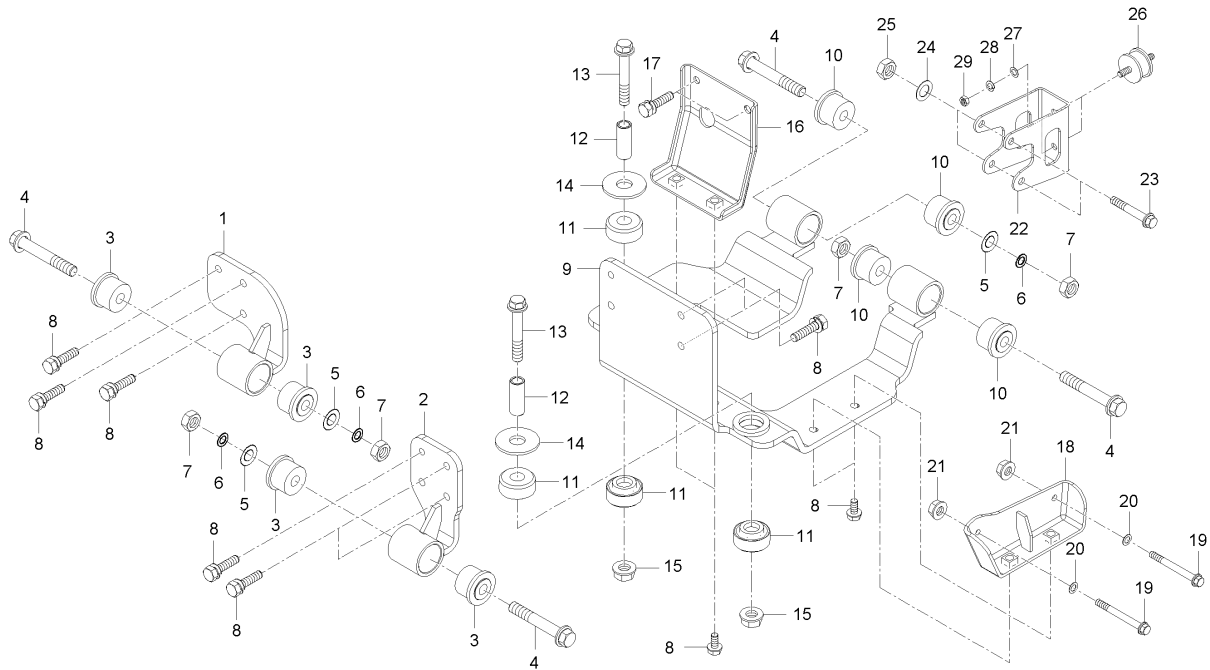
No.	Part Number	Description	Q'TY					I.C	Remark
			A	B	C	D	E		
1	U3210-36102	GUARD ASSY	1	1	1				
1	U3210-36103	GUARD ASSY	1	1	1			<----	
2	U3210-36111	Guard Front Assy	1	1	1				
2	U3210-36112	Guard Front Assy	1	1	1			<----	
3	U3210-36311	Plate Front Mesh Upper	2	2	2				
4	U3210-36351	Plate Front Mesh Lower	1	1	1				
5	03054-50516B	BOLT	14	14	14				
6	U3215-26051	HOOD LOCKING CLIP	2	2	2				
6	U3210-36051	HOOD LOCKING CLIP	2	2	2			<----	
7	03054-50412B	BOLT	4	4	4				
8	01774-51045	BOLT, FLANGE	4	4	4				
9	02783-50100	FLANGE NUT	4	4	4			M10XP1.25	
10	01125-50820	BOLT, WASHER	3	3	3			M8*P1.25	

----> Old replace New
 <-X-> Not interchangeable
 <-0-> Interchangeable with another part(s)

 <---- New replace Old
 <----> Interchangeable

U1-U0250A

ENGINE MOUNTING GROUP



A : MEC2240SW-EU , B : MEC2240SA-EU , C : MEC2240ST-EU

No.	Part Number	Description	Q'TY					I.C	Remark
			A	B	C	D	E		
1	U3210-35611	Bracket Assy-Engine Mounting, Front	1	1	1				
2	U3210-35642	ENGINE MOUNTING FRONT(LH)	1	1	1				
3	U3210-35661	Damper-Roll Mounting	4	4	4				
4	U3210-35681	REAMER BOLT, FLANGE	4	4	4				
5	04013-50120	WASHER, PLAIN	4	4	4				M12
6	04512-50120	WASHER, SPRING	4	4	4				M12
7	02174-50120	NUT	4	4	4				M12*P1.25
8	01135-51030	BOLT, WASHER	15	15	15				M10*1.25
9	U3210-35711	Bracket Assy-Engine Mounting, Rear	1	1	1				
10	U3210-35661	Damper-Roll Mounting	4	4	4				
11	U3210-35731	Damper Assy- Engine Mounting	4	4	4				
12	U3210-35751	BUSHING	2	2	2				
13	01133-51275	BOLT	2	2	2				M12*1.25
14	U3210-35771	WASHER	2	2	2				
15	02783-50120	FLANGE NUT	2	2	2				
16	U3210-35791	Bracket assy- TM Mounting, Front	1	1	1				
17	01135-51020	BOLT, WASHER	2	2	2				M10*1.25
18	U3210-35811	Bracket - TM Mounting, Side	1	1	1				
19	01125-50875	BOLT	2	2	2				M8

----> Old replace New

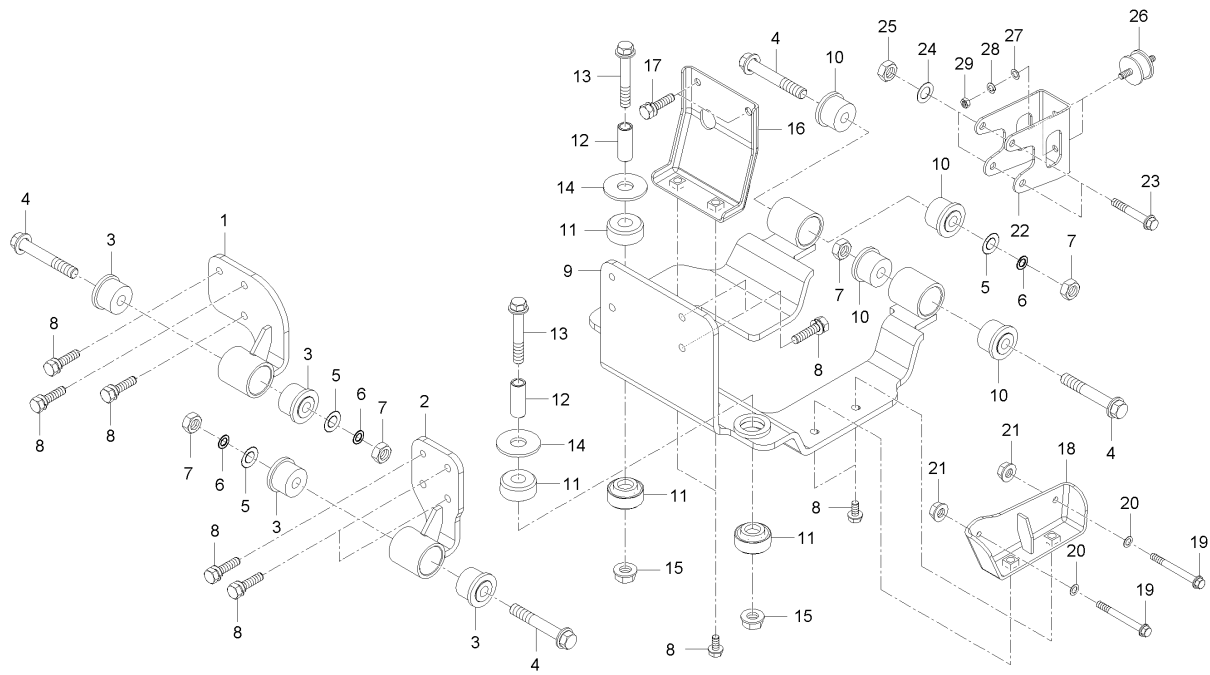
<-X-> Not interchangeable

<-0-> Interchangeable with another part(s)

<---- New replace Old

<----> Interchangeable

U1-U0250A ENGINE MOUNTING GROUP



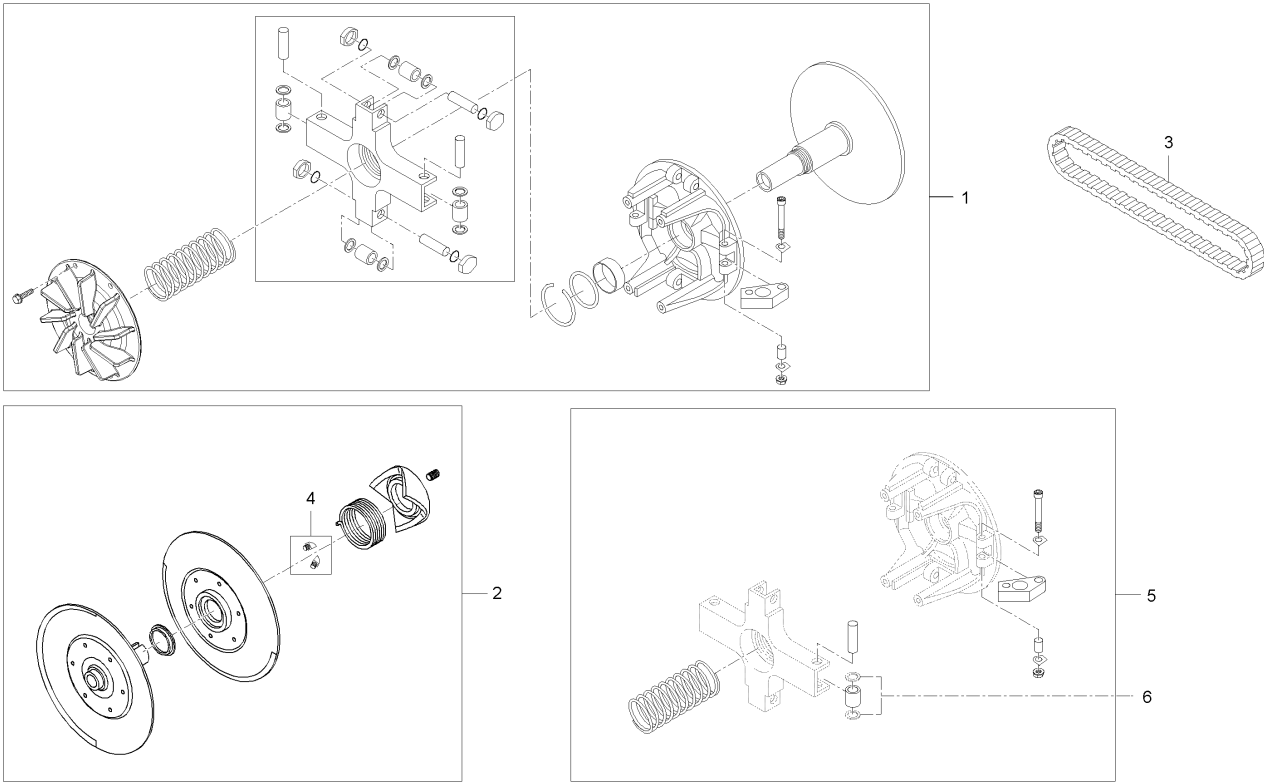
A : MEC2240SW-EU , B : MEC2240SA-EU , C : MEC2240ST-EU

No.	Part Number	Description	Q'TY					I.C	Remark
			A	B	C	D	E		
20	04013-50080	WASHER	2	2	2				M8
21	02763-50080	FLANGE NUT	2	2	2				M8XP1.25
22	U3210-35851	Bracket - TM Mounting, Rear	1	1	1				
23	01133-51075	BOLT	2	2	2				M10XP1.25
24	04013-50100	WASHER, PLAIN	2	2	2				M10
25	02118-50100	NUT	2	2	2				M10*P1.25
26	44366-8221-2	RUBBER, DUSTPROOF	2	2	2				
27	04013-50080	WASHER	4	4	4				M8
28	04512-50080	SPRING WASHER	4	4	4				M08
29	02156-50080	NUT	4	4	4				M8XP1.25

----> Old replace New
 <-X-> Not interchangeable
 <-0-> Interchangeable with another part(s)
 <---- New replace Old
 <----> Interchangeable

U1-U0284A

CVT Group, DC(STD)



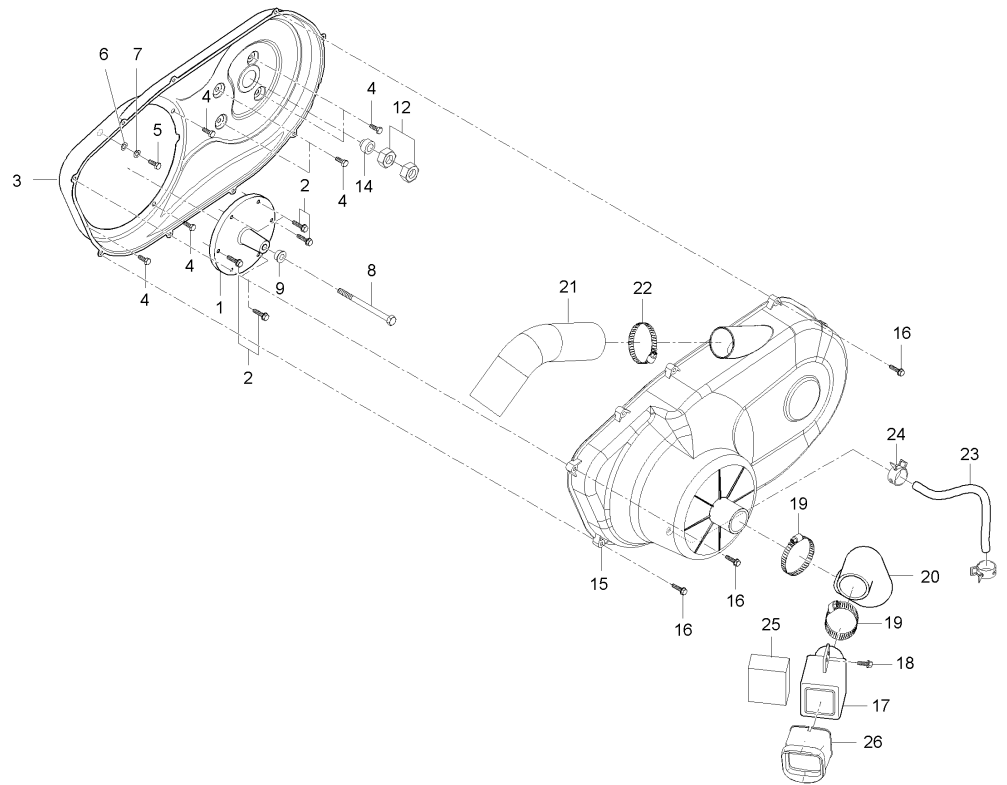
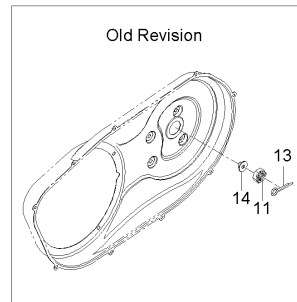
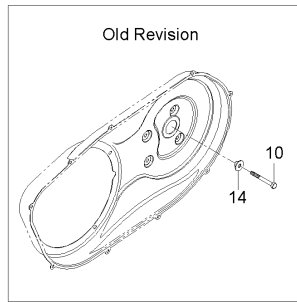
A : MEC2240SW-EU , B : MEC2240SA-EU , C : MEC2240ST-EU

No.	Part Number	Description	Q'TY					I.C	Remark
			A	B	C	D	E		
1	U3210-29011	Pulley Ass' y drive	1	1	1				
2	U3210-29021	Pulley Ass' y driven	1	1	1				
2	U3210-29022	Pulley Ass' y driven	1	1	1			<----	
3	U3210-29141	BELT, CVT	1	1	1				
4	U3210-29071	Wiper Seal	3	3	3				
5	U3210-29062	Driving Pully, repair kit	1	1	1				
6	1393A-9YX	WASHER	2	2	2				

----> Old replace New
 <-X-> Not interchangeable
 <-0-> Interchangeable with another part(s)
 <----> New replace Old
 <----> Interchangeable

U1-U0288A

CLUTCH COVER GROUP



A : MEC2240SW-EU , B : MEC2240SA-EU , C : MEC2240ST-EU

No.	Part Number	Description	Q'TY					I.C	Remark
			A	B	C	D	E		
1	U3215-29801	ADAPTOR, CVT DRIVE	1	1	1				
2	U3215-29104	Clutch Cover Assy - Inner	1	1	1				
3	U3215-29203	COVER, CLUTCH	1	1	1				
4	02952-00060	NUT	9	9	9				M6XP1
5	01754-50812	BOLT, FLANGE	7	7	7				M8*P1.25
6	01153-50812	BOLT	1	1	1				
7	04512-50080	SPRING WASHER	1	1	1				M08
8	U3215-29901	BOLT, CVT DRIVE	1	1	1				
9	U3215-29931	PLUG	1	1	1				
10	U3210-29911	BOLT	1	1	1				
11	02376-50140	NUT, SLOTIED	1	1	1				M14*1.5
12	02176-50120	NUT	2	2	2				M12*1.25
13	05511-50325	PIN, SPLIT	1	1	1				
14	U3210-29953	WASHER	1	1	1				
15	U3215-29304	CLUTCH COVER ASSY, OUT	1	1	1				
16	01754-50625	BOLT, FLANGE	9	9	9				7T
17	U3215-29721	AIR BAFFLING BOX ASSY	1	1	1				
18	01754-50625	BOLT, FLANGE	2	2	2				7T
19	09318-89063	CLMAP, HOSE	2	2	2				64#

----> Old replace New

<-X-> Not interchangeable

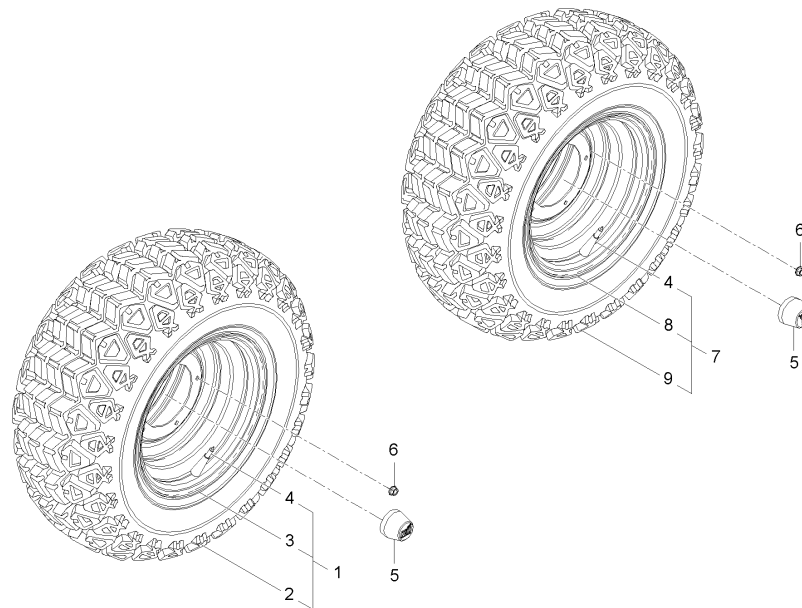
<-0-> Interchangeable with another part(s)

<---- New replace Old

<----> Interchangeable

U1-U0290A

Wheel & Tire Group(WORK)



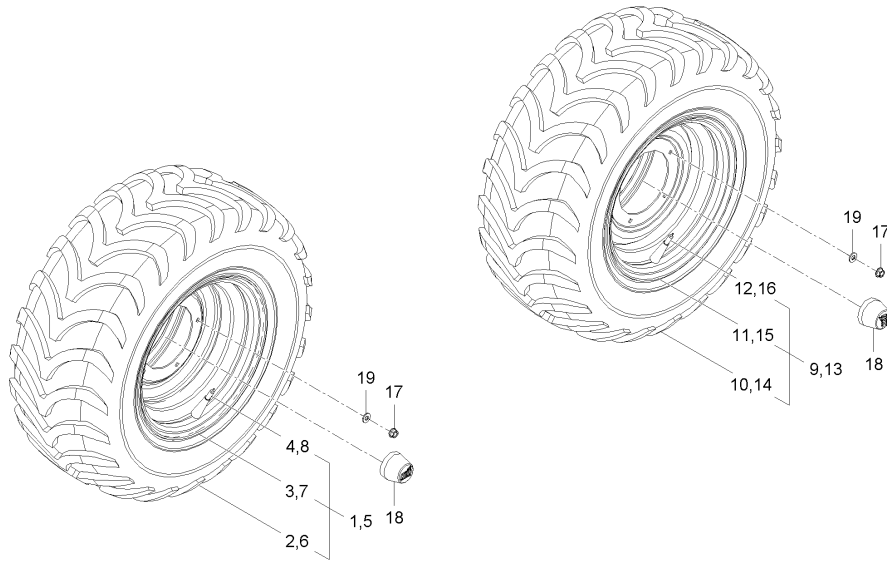
A : MEC2240SW-EU , B : MEC2240SA-EU , C : MEC2240ST-EU

No.	Part Number	Description	Q'TY					I.C	Remark
			A	B	C	D	E		
1	U3210-63171	Wheel & Tire-RR	2						
1	U3210-63351	WORK TIRE ASS'Y	2					<----	
1	U3210-63352	WORK TIRE ASS'Y	2					<----	
2	U3210-63321	Tire-FRT (25X10 R12)	1						
2	U3210-63391	TIRE(25X10R12)	1					<----	
3	U3215-23221	WHEEL, RR, work site	1						
4	U3210-63161	DIVIDER.CMP,FROW	1						
5	U3210-63342	Cap-Wheel	4						
6	U3215-50801	NUT, LOCK	20						
6	U3215-50751	NUT WHEEL	20					<----	
7	U3210-63151	Wheel & Tire-FRT	2						
7	U3210-63352	WORK TIRE ASS'Y	4					<----	
8	U3210-63121	Wheel-FRT	1						
8	U3210-63122	Wheel-FRT	1					<----	
9	04013-50100B	WASHER	20						

----> Old replace New
 <-X-> Not interchangeable
 <-0-> Interchangeable with another part(s)
 <---- New replace Old
 <----> Interchangeable

U1-U0291A

Wheel & Tire Group(Mud)



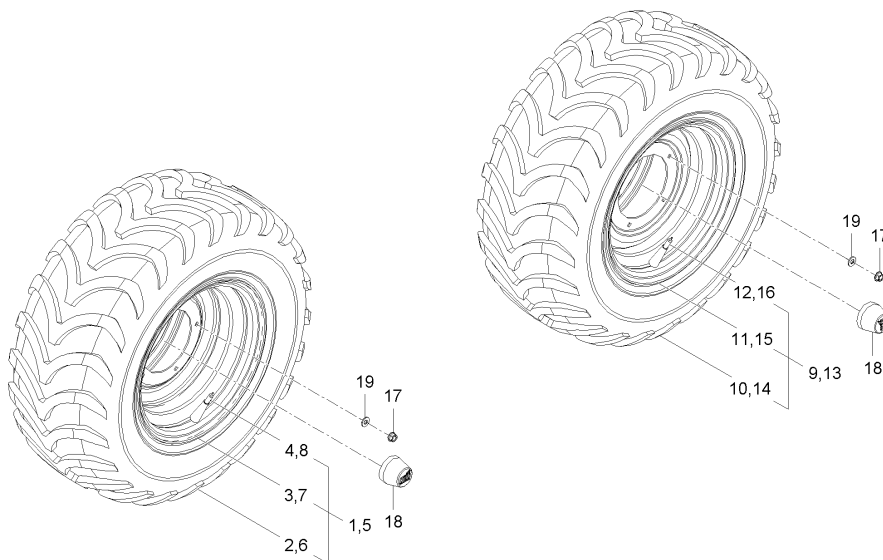
A : MEC2240SW-EU , B : MEC2240SA-EU , C : MEC2240ST-EU

No.	Part Number	Description	Q'TY					I.C	Remark
			A	B	C	D	E		
1	U3210-63241	Wheel & Tire Front - LH		2					
1	U3210-63651	MUD TIRE ASS'Y(LH)		1				<----	
2	U3210-63111	Tire, FRT (25X10 R12)		1					
2	U3210-63691	TIRE(25X10R12)		1				<----	
3	U3210-63121	Wheel-FRT		1					
4	U3210-63161	DIVIDER.CMP,FROW		1					
5	U3210-63251	Wheel & Tire Front - RH		2					
5	U3210-63661	MUD TIRE ASS'Y(RH)		1				<----	
6	U3210-63111	Tire, FRT (25X10 R12)		1					
6	U3210-63691	TIRE(25X10R12)		1				<----	
7	U3210-63121	Wheel-FRT		1					
8	U3210-63161	DIVIDER.CMP,FROW		1					
9	U3210-63261	Wheel & Tire Rear - LH		1					
9	U3210-63651	MUD TIRE ASS'Y(LH)		1				<----	
10	U3210-63211	Tire, RR (25X11 R12)		1					
10	U3210-63691	TIRE(25X10R12)		1				<----	
11	U3210-63221	Wheel-RR		1					
11	U3210-63121	Wheel-FRT		1				<----	
12	U3210-63161	DIVIDER.CMP,FROW		1					

----- Old replace New
 <-X-> Not interchangeable
 <-0-> Interchangeable with another part(s)
 <----> New replace Old
 <----> Interchangeable

U1-U0291A

Wheel & Tire Group(Mud)



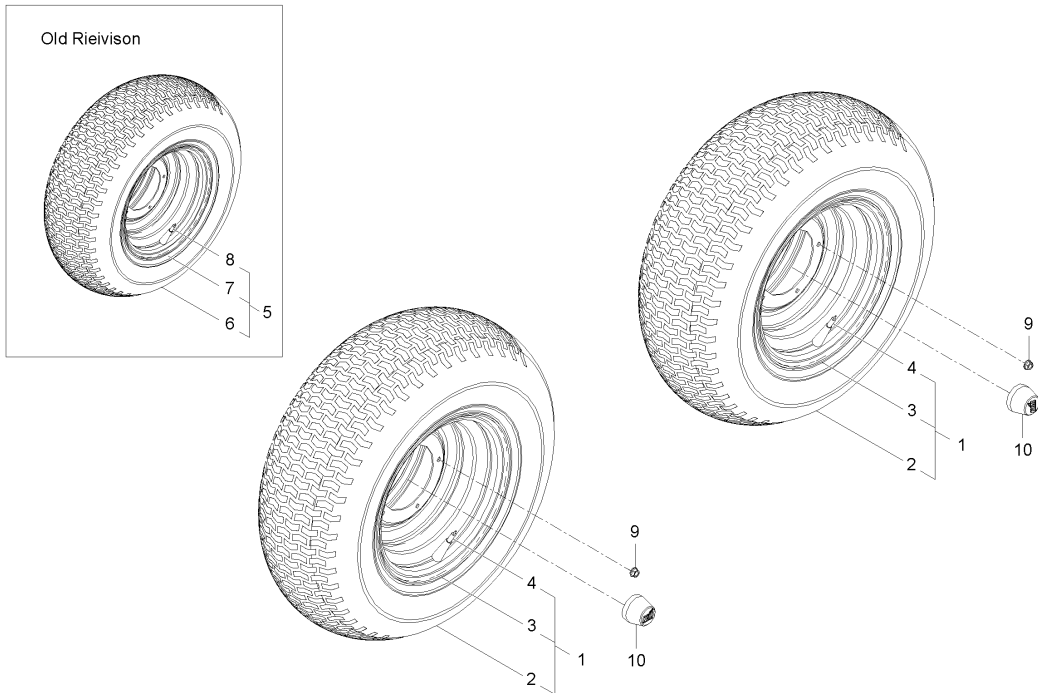
A : MEC2240SW-EU , B : MEC2240SA-EU , C : MEC2240ST-EU

No.	Part Number	Description	Q'TY					I.C	Remark
			A	B	C	D	E		
13	U3210-63271	Wheel & Tire Rear - RH		1					
13	U3210-63661	MUD TIRE ASS'Y(RH)		1				<----	
14	U3210-63211	Tire, RR (25X11 R12)		1					
14	U3210-63691	TIRE(25X10R12)		1				<----	
15	U3210-63221	Wheel-RR		1					
15	U3210-63121	Wheel-FRT		1				<----	
16	U3210-63161	DIVIDER.CMP,FROW		1					
17	U3215-50801	NUT, LOCK		20					
17	U3215-50751	NUT WHEEL		20				<----	
18	U3210-63342	Cap-Wheel		4				<----	
19	04013-50100	WASHER, PLAIN		20					

----> Old replace New
 <-X-> Not interchangeable
 <-0-> Interchangeable with another part(s)
 <---- New replace Old
 <----> Interchangeable

U1-U0292A

Wheel & Tire Group(Turf)



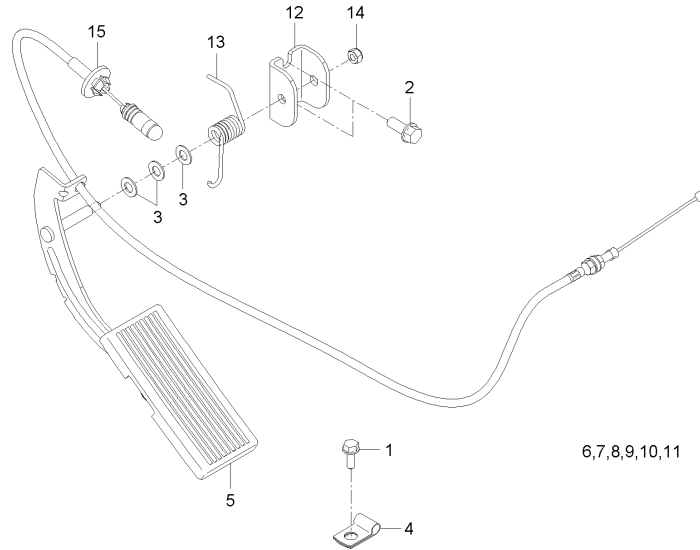
A : MEC2240SW-EU , B : MEC2240SA-EU , C : MEC2240ST-EU

No.	Part Number	Description	Q'TY					I.C	Remark
			A	B	C	D	E		
1	U3210-63281	Wheel & Tire Front			2				
1	U3210-63281	Wheel & Tire Front			4			<----	
1	U3215-23282	Wheel & Tire Front			4			<----	
2	U3210-63411	TIRE, FRT(25X10 R12)			1				
2	U3215-23412	TIRE, FRT(25X10 R12)			1			<----	
3	U3210-63121	Wheel-FRT			1				
3	U3215-23121	WHEEL, FR			1			<----	
4	U3210-63161	DIVIDER.CMP,FROW			1				
5	U3210-63291	Wheel & Tire Rear			2				
6	U3210-63421	TIRE, RR(25X11 R12)			1				
7	U3210-63221	Wheel-RR			1				
8	U3210-63161	DIVIDER.CMP,FROW			1				
9	U3215-50801	NUT, LOCK			20				
9	U3215-50751	NUT WHEEL			20			<----	
10	U3210-63342	Cap-Wheel			4				

----- Old replace New
 <-X-> Not interchangeable
 <-0-> Interchangeable with another part(s)
 <----> New replace Old
 <----> Interchangeable

U3350-G310A

Accelerator Pedal Group



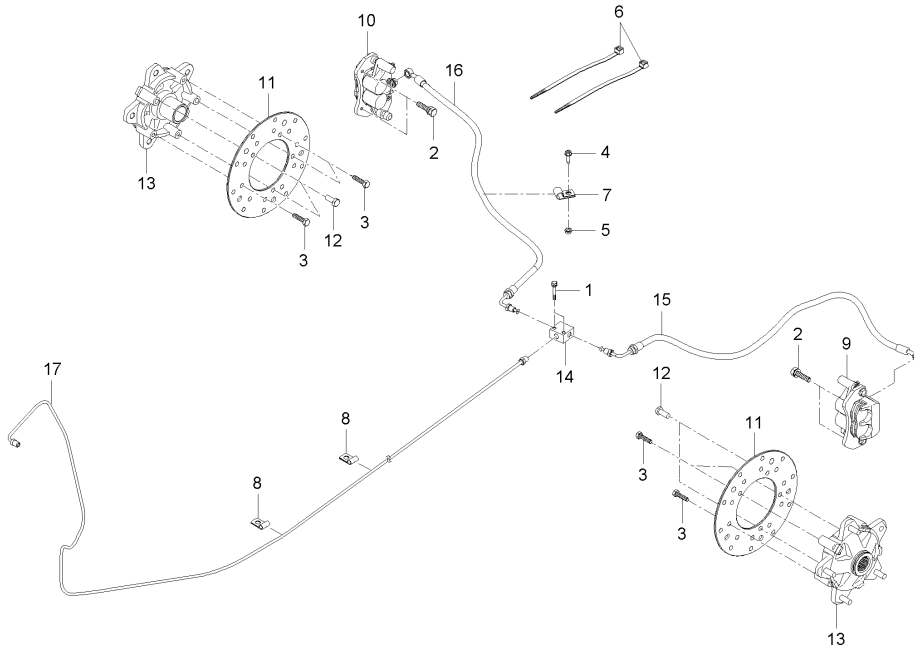
A : MEC2240SW-EU , B : MEC2240SA-EU , C : MEC2240ST-EU

No.	Part Number	Description	Q'TY					I.C	Remark
			A	B	C	D	E		
1	01754-50616	BOLT, FLANGE	1	1	1			M6*P1.0	
2	01754-50820	FLANGE BOLT	2	2	2			M8*P1.25	
3	04012-50080	WASHER	3	3	3			DIA18*T1.2	
4	U3210-64551	CLAMP	1	1	1				
5	U3210-64803	Pedal Assy-Accel.	1	1	1				
6	04012-50080	WASHER	2	2	2			DIA18*T1.2	
7	05122-50845	JOINT PIN	1	1	1				
8	05525-50800	PIN, SNAP	1	1	1				
9	U3210-64813	Arm Assy - Accel Pedal	1	1	1				
10	U3210-64851	Foot - Accel Pedal	1	1	1				
11	U3210-64871	Spring - Accel Pedal	1	1	1				
12	U3210-64911	Brkt - Accel Pedal Mtg.	1	1	1				
13	U3210-64921	Spring-Accelerator	1	1	1				
14	U3215-96201	LOCK NUT	1	1	1				
15	U3350-31101	CABLE ASSY, PEDAL ACCELERATOR	1	1	1				

----> Old replace New
 <-X-> Not interchangeable
 <-0-> Interchangeable with another part(s)
 <---- New replace Old
 <----> Interchangeable

U3350-G360A

Rear Break Group



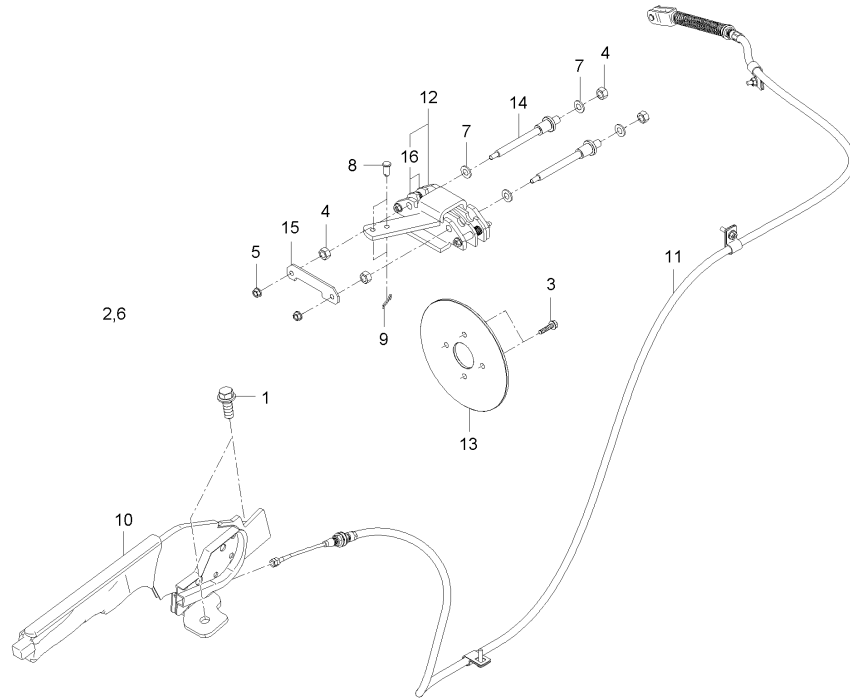
A : MEC2240SW-EU , B : MEC2240SA-EU , C : MEC2240ST-EU

No.	Part Number	Description	Q'TY					I.C	Remark
			A	B	C	D	E		
1	01023-50635	BOLT, WASHER	2	2	2			M6*P1.0	
2	01125-50825	BOLT, WASHER	4	4	4			M8*1.25	
3	01153-50822	BOLT	6	6	6			M8XP1.25	
4	01754-50616	BOLT, FLANGE	2	2	2			M6*P1.0	
5	02761-50060	FLANGE NUT	1	1	1			M6XP1.0	
6	T2198-82551	BAND,CORD	3	3	3				
7	U3210-64371	CLAMP	2	2	2				
8	U3210-64551	CLAMP	2	2	2				
9	U3215-40001	CALIPER ASSY, LH	1	1	1				
10	U3215-40101	CALIPER ASSY, RH	1	1	1				
11	U3215-41202	DISC, BRAKE FRT	2	2	2				
12	U3215-42021	REAMER BOLT, HUB & DISC MTG.(M8X1.2	4	4	4				
13	U3215-45107	Hub Assy-RR	2	2	2				
14	U3215-46201	FITTING TEE	1	1	1				
15	U3215-46301	TUBE, RR BRAKE,LH	1	1	1				
16	U3215-46402	Tube-RR Brake,RH	1	1	1				
17	U3350-36101	PIPE, REAR BRAKE	1	1	1				

----> Old replace New
 <-X-> Not interchangeable
 <-0-> Interchangeable with another part(s)
 <----> New replace Old
 <----> Interchangeable

U3350-G380A

PARKING BACKE GROUP



A : MEC2240SW-EU , B : MEC2240SA-EU , C : MEC2240ST-EU

No.	Part Number	Description	Q'TY					I.C	Remark
			A	B	C	D	E		
1	01135-51025	BOLT	4	4	4			M8*1.25	
2	01754-50616	BOLT, FLANGE	1	1	1			M6*P1.0	
3	01754-50816	BOLT, FLANGE	8	8	8			M8*P1.25	
4	02118-50100	NUT	8	8	8			M10*P1.25	
5	02751-50060	FLANGE NUT	2	2	2			M6*P1.0	
6	02761-50060	FLANGE NUT	1	1	1			M6XP1.0	
7	04011-50100	WASHER, PLAIN	9	9	9			M10	
8	05122-50818	JOINT PIN	2	2	2				
9	05525-50800	PIN, SNAP	2	2	2				
10	T4815-65511	ASSY,PACKING BRAKE	1	1	1				
11	U3350-38101	Cable Assy-Parking	1	1	1				
12	U3400-38021	CALIPER ASSY, PARK BRAKE	1	1	1				
13	U3400-38051	DISK,PACKING BRAKE	1	1	1				
14	U3400-38071	BOLT, GUIDE	2	2	2				
15	U3400-38091	MOUNTING PLATE	1	1	1				
16	U3400-38111	PAD, PARKING BRAKE	2	2	2				

----> Old replace New

<-X-> Not interchangeable

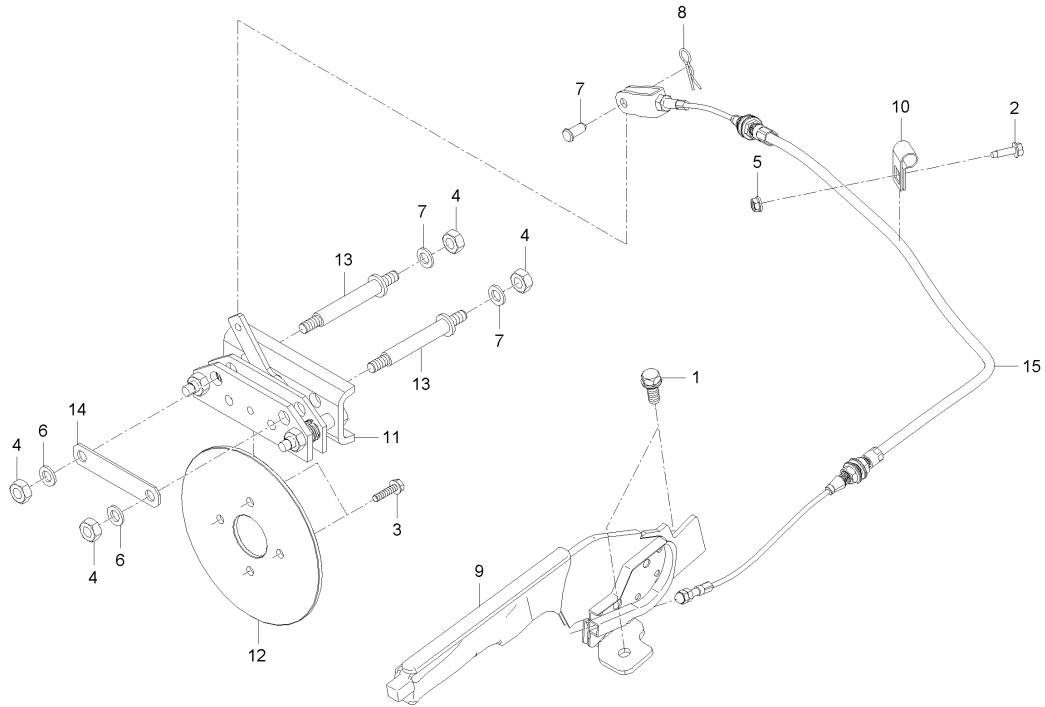
<-0-> Interchangeable with another part(s)

<---- New replace Old

<----> Interchangeable

U3351-G380A

PACKING BACKE GROUP



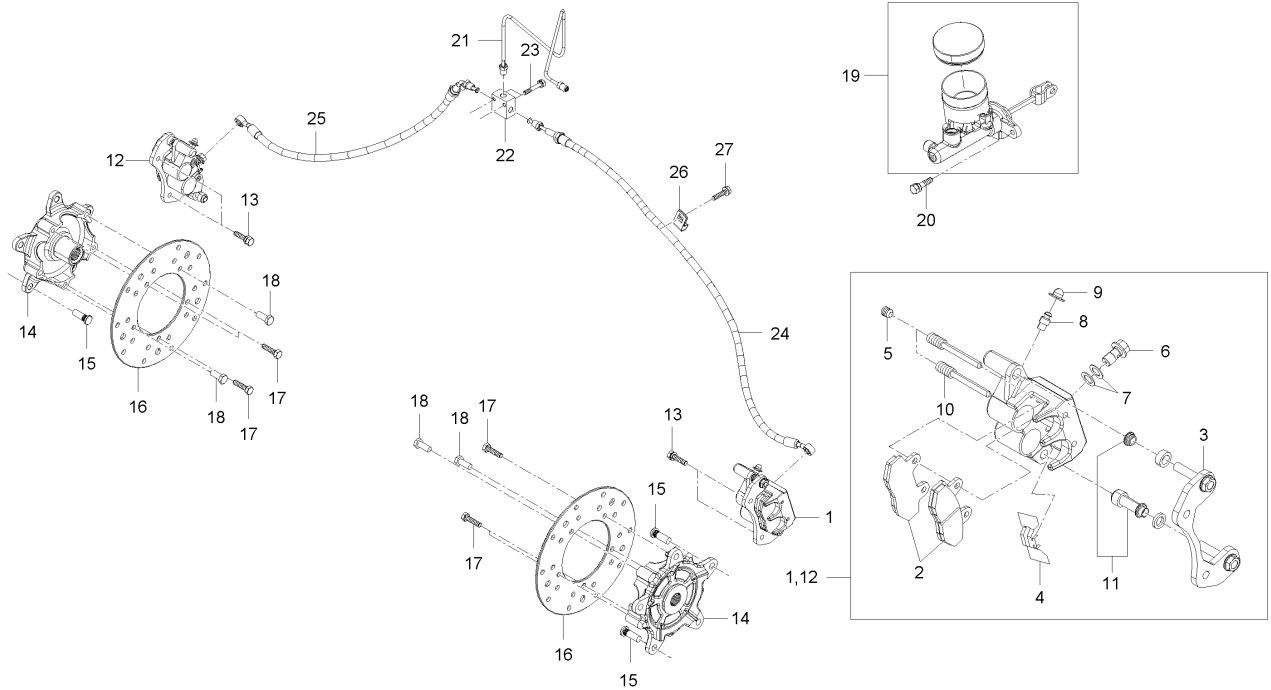
A : MEC2240SW-EU , B : MEC2240SA-EU , C : MEC2240ST-EU

No.	Part Number	Description	Q'TY					I.C	Remark
			A	B	C	D	E		
1	01135-51025	BOLT	2	2	2			M8*1.25	
2	01754-50616	BOLT, FLANGE	3	3	3			M6*P1.0	
3	01754-50816	BOLT, FLANGE	4	4	4			M8*P1.25	
4	02118-50100	NUT	4	4	4			M10*P1.25	
5	02761-50060	FLANGE NUT	1	1	1			M6XP1.0	
6	04011-50100	WASHER, PLAIN	4	4	4			M10	
7	05122-50818	JOINT PIN	1	1	1				
8	05525-50800	PIN, SNAP	1	1	1				
9	T4815-65511	ASSY,PACKING BRAKE	1	1	1				
10	U3215-22351	CLIP	3	3	3				
11	U3215-49403	CALIPER ASSY, PARK BRAKE	1	1	1				
12	U3215-49502	DISK, PACKING BRAKE	1	1	1				
13	U3215-49571	BOLT, GUIDE	2	2	2				
14	U3215-49581	MOUNTING PLATE	1	1	1				
15	U3350-38101	Cable Assy-Parking	1	1	1				

----> Old replace New
 <-X-> Not interchangeable
 <-0-> Interchangeable with another part(s)
 <----> New replace Old
 <----> Interchangeable

U1-U0400A

Front Break Group



A : MEC2240SW-EU , B : MEC2240SA-EU , C : MEC2240ST-EU

No.	Part Number	Description	Q'TY					I.C	Remark
			A	B	C	D	E		
1	U3215-40001	CALIPER ASSY, LH	1	1	1				
2	U3215-40011	PAD,BRAKE(4 PCS)	1	1	1				
3	U3215-40001002	CARRIER ASSY DIFF	1	1	1				
4	U3215-40001003	SPRING PAD	1	1	1				
5	U3215-40001004	BOLT	2	2	2				
6	U3215-40001005	BOLT, UNION	1	1	1				
7	U3215-40001006	WASHER	2	2	2				
8	U3215-40001007	BREATHER	1	1	1				
9	U3215-40001008	CAP, BLEEDER	1	1	1				
10	U3215-40001009	BOLT, HOLDER	2	2	2				
11	U3215-40001010	RUBBER KIT	1	1	1				
12	U3215-40101	CALIPER ASSY, RH	1	1	1				
13	01125-50825	BOLT, WASHER	4	4	4			M8*1.25	
14	U3215-41106	HUB ASSY, FR	2	2	2				
14	U3215-41107	HUB ASSY, FR	2	2	2			<----	
15	U3215-41121	BOLT(M10x1.25), HUB	5	5	5				
16	U3215-41202	DISC, BRAKE FRT	2	2	2				
17	01153-50822	BOLT	6	6	6			M8XP1.25	
18	U3215-42021	REAMER BOLT, HUB & DISC MTG.(M8X1.2	4	4	4				

----> Old replace New

<-X-> Not interchangeable

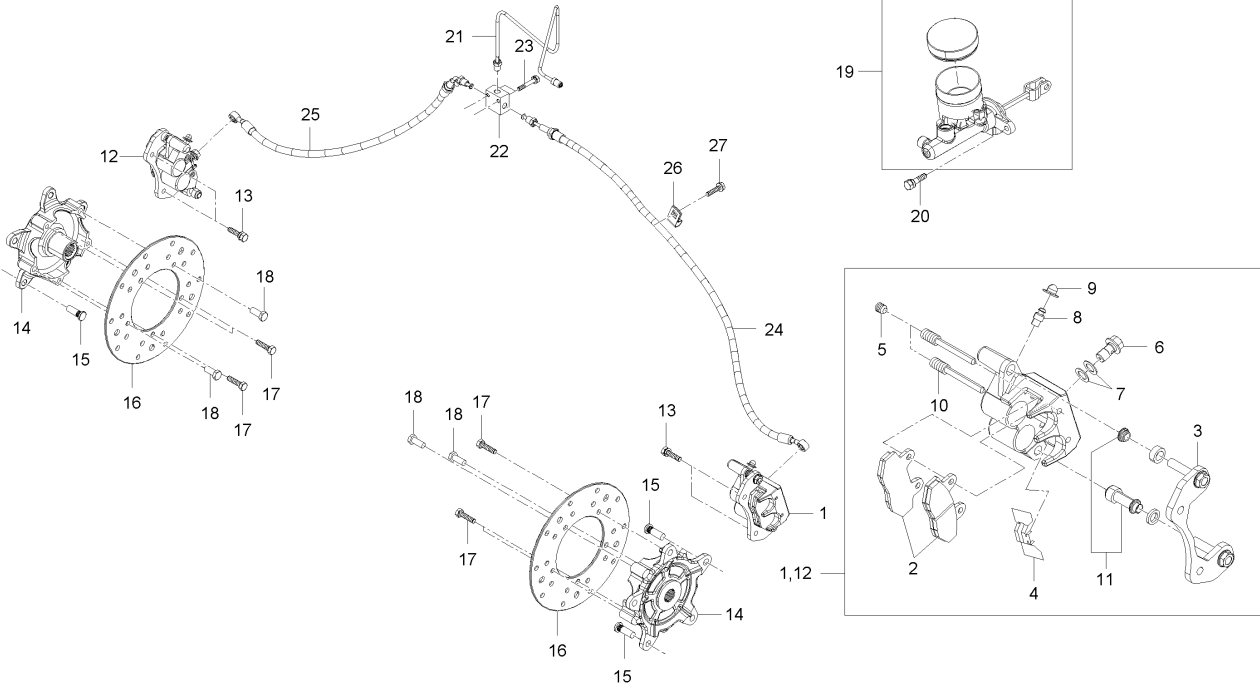
<-0-> Interchangeable with another part(s)

<---- New replace Old

<----> Interchangeable

U1-U0400A

Front Break Group



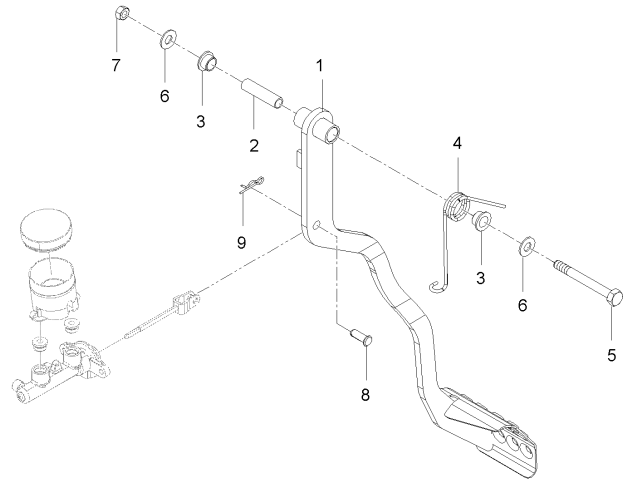
A : MEC2240SW-EU , B : MEC2240SA-EU , C : MEC2240ST-EU

No.	Part Number	Description	Q'TY					I.C	Remark
			A	B	C	D	E		
19	U3215-42001	MASTER CYLINDER ASSY	1	1	1				
20	01125-50825	BOLT, WASHER	2	2	2			M8*1.25	
21	U3215-43101	PIPE, FRT BRAKE ASSY	1	1	1				
22	U3215-46201	FITTING TEE	1	1	1				
23	01025-50635	BOLT	2	2	2				
24	U3215-43301	TUBE, FRT BRAKE,LH	1	1	1				
25	U3215-43401	TUBE, FRT BRAKE,RH	1	1	1				
26	U3210-64371	CLAMP	1	1	1				
27	01754-50616	BOLT, FLANGE	1	1	1			M6*P1.0	

----- Old replace New
 <-X-> Not interchangeable
 <-0-> Interchangeable with another part(s)
 ----- New replace Old
 ----- Interchangeable

U1-U0420A

BRAKE PEDAL GROUP



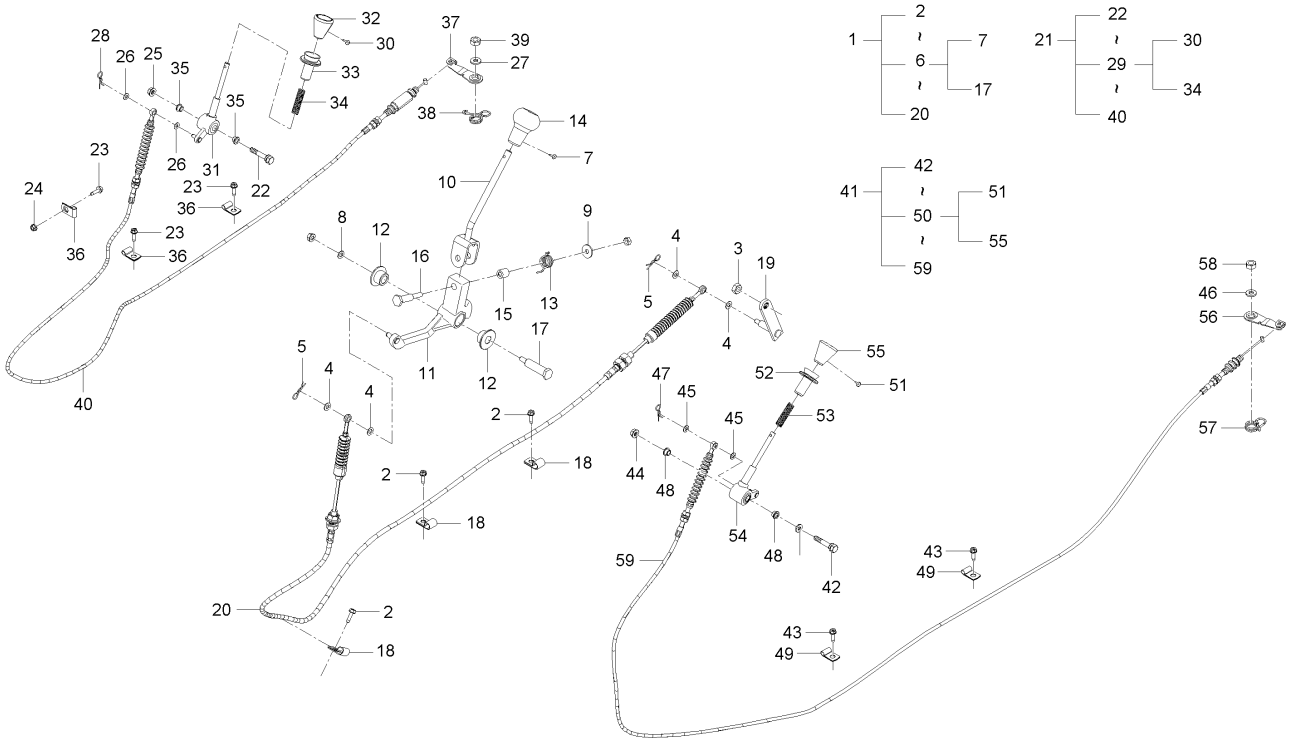
A : MEC2240SW-EU , B : MEC2240SA-EU , C : MEC2240ST-EU

No.	Part Number	Description	Q'TY					I.C	Remark
			A	B	C	D	E		
1	U3215-47101	Pedal Assy-Brake	1	1	1				
2	U3215-47121	TUBE, BRAKE PEDAL BUSH	1	1	1				
3	U3215-47131	BUSH, BRAKE PEDAL PIVOT	2	2	2				
4	U3215-42041	SPRING, BRAKE PEDAL	1	1	1				
5	01173-51075	BOLT	1	1	1				M10*P1.25
6	04013-50100	WASHER, PLAIN	2	2	2				M10
7	41182-5151-1	U-NUT	1	1	1				
8	05122-51022	JOINT PIN	1	1	1				
9	52300-3413-1	CIR CLIP	1	1	1				

----> Old replace New
 <-X-> Not interchangeable
 <-0-> Interchangeable with another part(s)
 <---- New replace Old
 <----> Interchangeable

U3350-G440A

LEVER GROUP



A : MEC2240SW-EU , B : MEC2240SA-EU , C : MEC2240ST-EU

No.	Part Number	Description	Q'TY					I.C	Remark
			A	B	C	D	E		
1	U3350-44101	Selector Complete Gear	1	1	1				
2	01754-50616	BOLT, FLANGE	3	3	3				M6*P1.0
3	02783-50100	FLANGE NUT	1	1	1				M10XP1.25
4	04012-50080	WASHER	4	4	4				DIA18*T1.2
5	05525-50800	PIN, SNAP	2	2	2				
6	U3210-64113	Selector Ass'y -Gear	1	1	1				
7	03054-50516	SCREW	1	1	1				
8	04012-50080	WASHER	1	1	1				DIA18*T1.2
9	04015-50080	WASHER, PLAIN	1	1	1				T2.6
10	U3210-64132	Lever Assy-Selector, Gear	1	1	1				
11	U3210-64171	Arm Assy-Select	1	1	1				
12	U3210-64191	Bushing-Shift Lever	2	2	2				
13	U3210-64221	Spring-Shift Lever Return	1	1	1				
14	U3210-64261	Knob-Selector, Gear	1	1	1				
15	U3210-64281	Spacer-Select	1	1	1				
16	U3210-64311	Bolt-Select Bracket	1	1	1				
17	U3210-64331	Bolt-Shift Bracket	1	1	1				
18	U3210-64371	CLAMP	3	3	3				
19	U3210-64391	Shift Lever Assy-Gear Selector	1	1	1				

----> Old replace New

<-X-> Not interchangeable

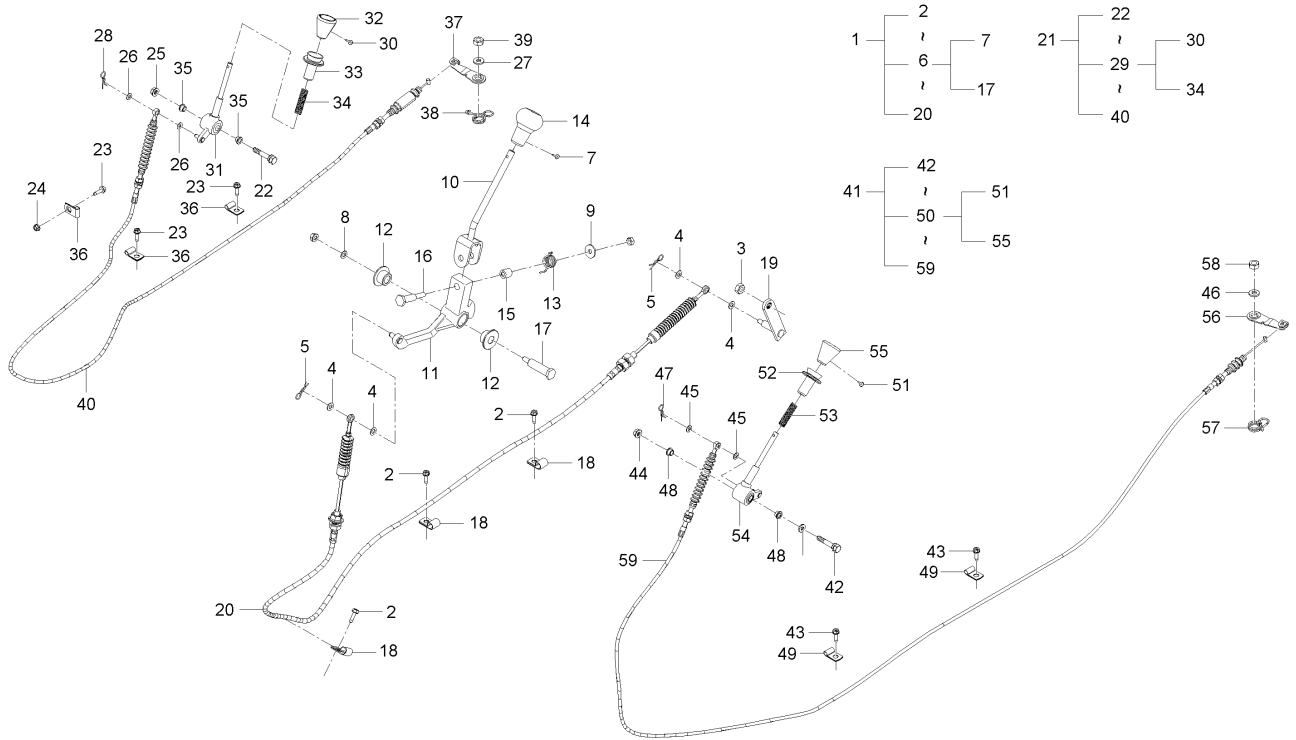
<-0-> Interchangeable with another part(s)

<---- New replace Old

<----> Interchangeable

U3350-G440A

LEVER GROUP



A : MEC2240SW-EU , B : MEC2240SA-EU , C : MEC2240ST-EU

No.	Part Number	Description	Q'TY					I.C	Remark
			A	B	C	D	E		
20	U3350-44111	Cable Assy -Gear Selector	1	1	1				
21	U3350-44301	Selector Complete 4WD	1	1	1				
22	01153-50855	BOLT	1	1	1				HEX12.M8P1.25
23	01754-50616	BOLT, FLANGE	2	2	2				M6*P1.0
24	02761-50060	FLANGE NUT	1	1	1				M6XP1.0
25	02763-50080	FLANGE NUT	1	1	1				M8XP1.25
26	04013-50060	WASHER, PLAIN	2	2	2				M6
27	04014-50100	WASHER, PLAIN	1	1	1				M10
28	05525-50600	PIN, SNAP	1	1	1				D1A1.2
29	U3210-64411	Shifter Ass'y-4WD	1	1	1				
30	03054-50512	SCREW	1	1	1				M5*0.8
31	U3210-64431	LEVER, 4WD	1	1	1				
32	U3210-64461	Knob-Shifter	1	1	1				
33	U3210-64481	Pipe-Lock, Lever	1	1	1				
34	U3210-64491	Spring-Rod	1	1	1				
35	U3210-64511	BUSHING	2	2	2				
36	U3210-64551	CLAMP	3	3	3				
37	U3210-64571	LEVER, 4WD	1	1	1				
38	U3210-64591	SPRING	1	1	1				

----> Old replace New

<-X-> Not interchangeable

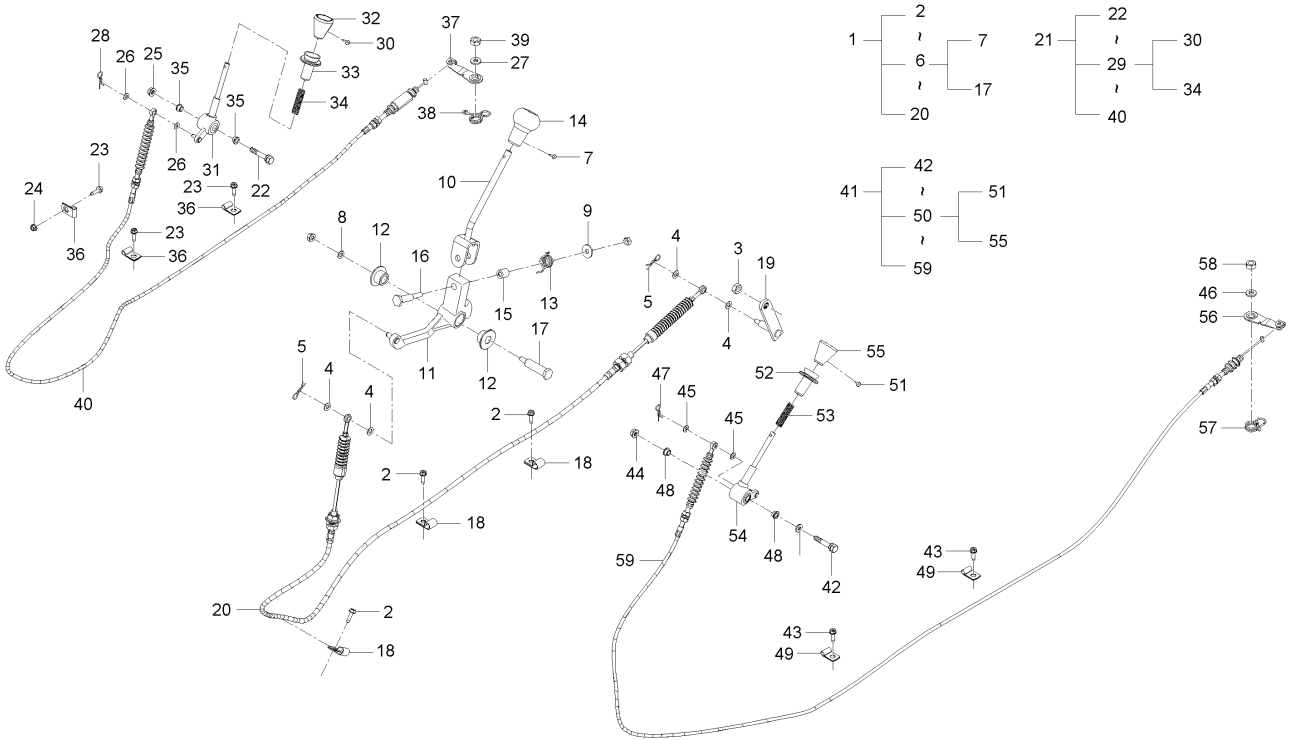
<-0-> Interchangeable with another part(s)

<---- New replace Old

<----> Interchangeable

U3350-G440A

LEVER GROUP



A : MEC2240SW-EU , B : MEC2240SA-EU , C : MEC2240ST-EU

No.	Part Number	Description	Q'TY					I.C	Remark
			A	B	C	D	E		
39	U3215-50801	NUT, LOCK	1	1	1				
40	U3350-44311	Cable Assy -4WD	1	1	1				
41	U3350-44501	Selector Complete Diff	1	1	1				
42	01153-50855	BOLT	1	1	1				HEX12.M8P1.25
43	01754-50616	BOLT, FLANGE	2	2	2				M6*P1.0
44	02763-50080	FLANGE NUT	1	1	1				M8XP1.25
45	04013-50060	WASHER, PLAIN	2	2	2				M6
46	04014-50100	WASHER, PLAIN	1	1	1				M10
47	05525-50600	PIN, SNAP	1	1	1				DIA1.2
48	U3210-64511	BUSHING	2	2	2				
49	U3210-64551	CLAMP	2	2	2				
50	U3210-64612	Shifter Ass'y- Diff. Lock	1	1	1				
51	03054-50512	SCREW	1	1	1				M5*0.8
52	U3210-64481	Pipe-Lock, Lever	1	1	1				
53	U3210-64491	Spring-Rod	1	1	1				
54	U3210-64631	LEVER, DIFF.	1	1	1				
55	U3210-64662	Diff. Lock-Knob Assy	1	1	1				
56	U3210-64711	LEVER, DIFF.	1	1	1				
57	U3210-64731	SPRING	1	1	1				

----> Old replace New

<-X-> Not interchangeable

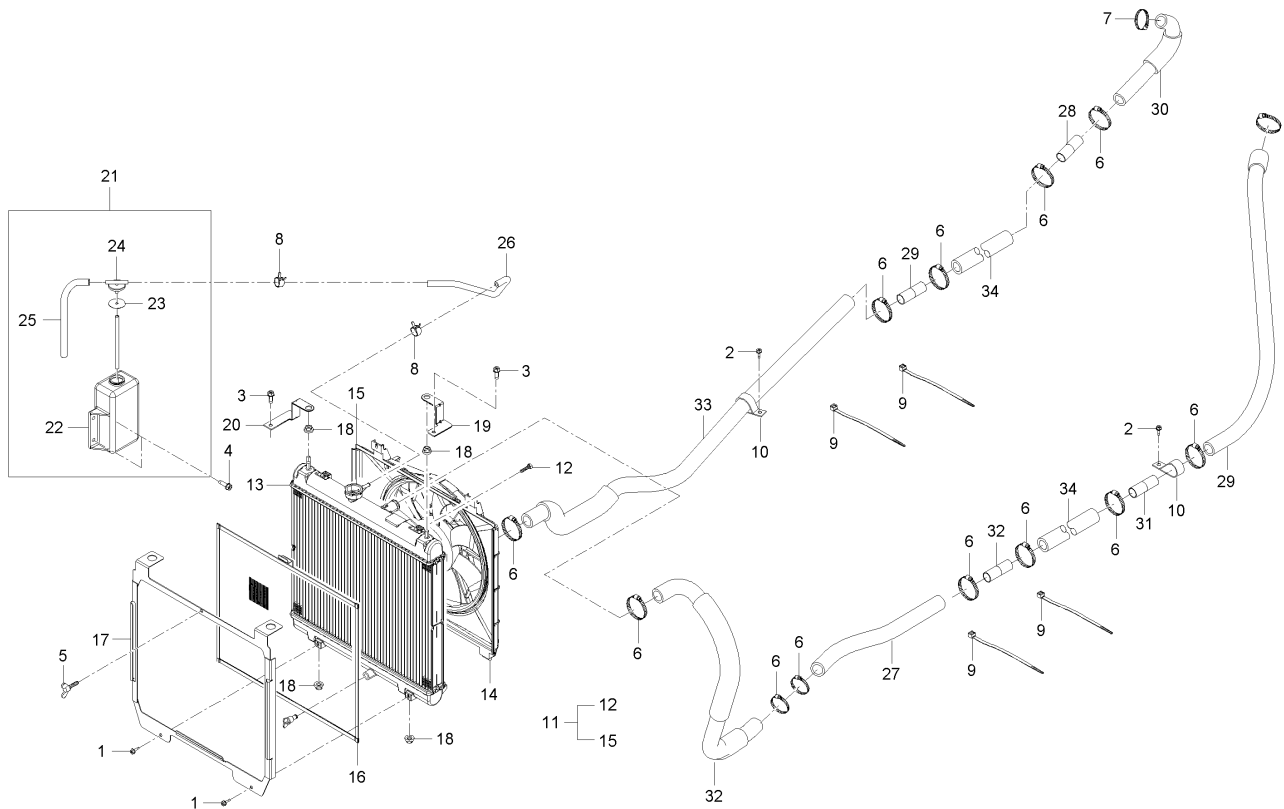
<-0-> Interchangeable with another part(s)

<---- New replace Old

<----> Interchangeable

U3350-G490A

RADIATOR GROUP



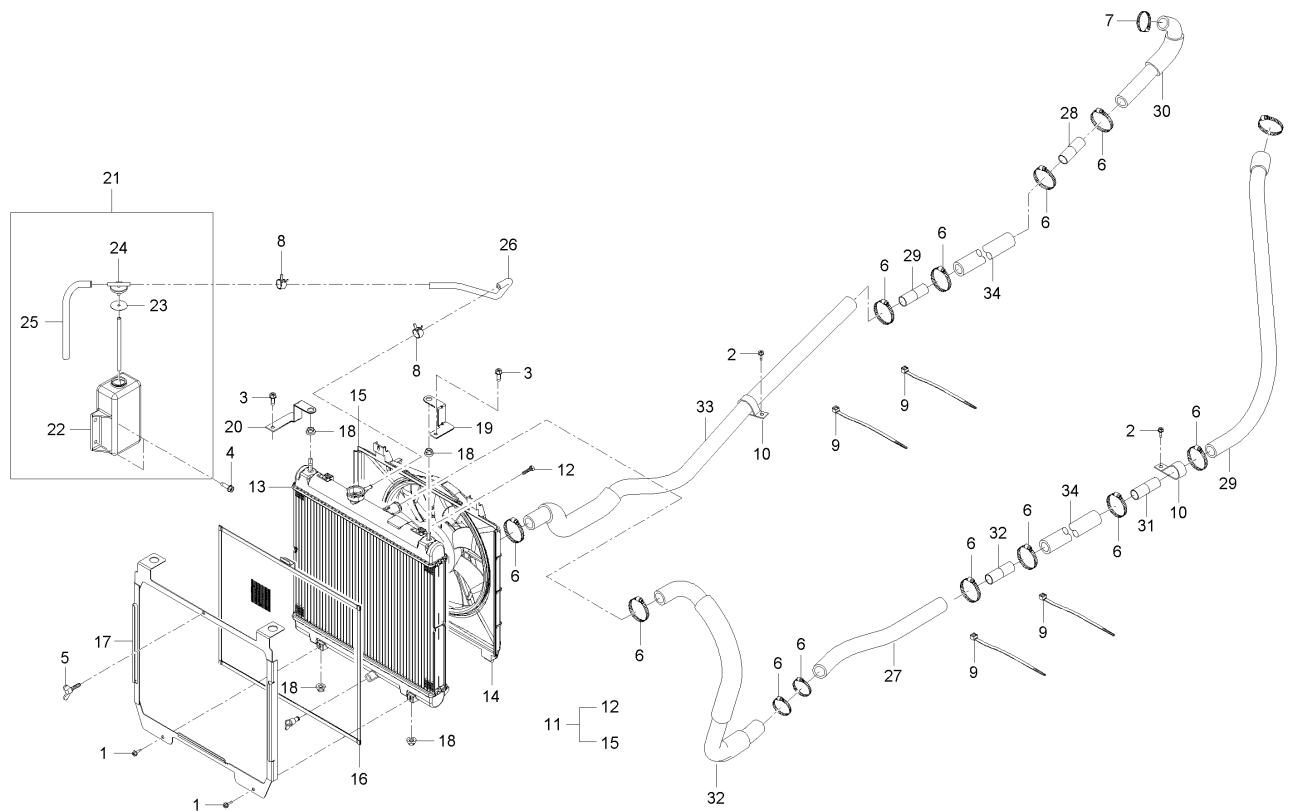
A : MEC2240SW-EU , B : MEC2240SA-EU , C : MEC2240ST-EU

No.	Part Number	Description	Q'TY					I.C	Remark
			A	B	C	D	E		
1	01205-50612	BOLT, WASHER	2	2	2				
2	01754-50612	BOLT, FLANGE	4	4	4			M6*1.0	
3	01754-50816	BOLT, FLANGE	2	2	2			M8*P1.25	
4	01754-50820	FLANGE BOLT	2	2	2			M8*P1.25	
5	01811-50610	BOLT, WING	1	1	1				
6	09318-87040	CLMAP, HOSE	13	13	13				
7	09318-87051	HOSE CLAMP	1	1	1				
8	14911-4275-1	CLIP, TUBE	2	2	2				
9	T2198-82551	BAND,CORD	4	4	4				
10	T4686-50963	HOSE CLAMP	4	4	4				
11	U3215-77102	RADIATOR ASSY	1	1	1				
12	AA0000191	BOLT	2	2	2				
13	U3215-77201	RADIATOR	1	1	1				
14	U3215-77401	FAN SHIROUD MOTER ASSY	1	1	1				
15	U3215-77501	Radiator Cap	1	1	1				
16	U3215-77302	Net-Radiator	1	1	1				
16	U3215-77303	Net-Radiator	1	1	1			<----	
17	U3215-77351	Bracket Assy-Net, Radiator	1	1	1				
17	U3215-77352	Bracket Assy-Net, Radiator	1	1	1			<----	

----> Old replace New
 <-X-> Not interchangeable
 <-0-> Interchangeable with another part(s)
 <----> New replace Old
 <----> Interchangeable

U3350-G490A

RADIATOR GROUP



A : MEC2240SW-EU , B : MEC2240SA-EU , C : MEC2240ST-EU

No.	Part Number	Description	Q'TY					I.C	Remark
			A	B	C	D	E		
18	U3215-77701	BUSHING-RADIATOR	4	4	4				
19	U3215-77901	BRACKET, UPPER MOUNTING, LH	1	1	1				
19	U3350-49011	BRCKET - UPPER MOUNTING-LH	1	1	1			<----	
20	U3215-77921	BRACKET, UPPER MOUNTING, RH	1	1	1				
20	U3350-49031	BRCKET - UPPER MOUNTING-RH	1	1	1			<----	
21	U3215-77954	RESERVOIR ASSY	1	1	1				
22	T2350-13612	TANK, WATER	1	1	1				
23	15532-7243-2	PACKING	1	1	1				
24	15531-7242-2	CAP	1	1	1				
25	T2350-13602006	HOSE	1	1	1				
26	U3215-78001	HOSE, OVERFLOW	1	1	1				
27	U3215-78151	HOSE, INLET CTR	1	1	1				
28	U3215-78202	Connector - Cooling Hose	2	2	2				
29	U3215-78301	HOSE, INLET REAR	1	1	1				
30	U3215-78501	OUTLET REAR HOSE ASSY	1	1	1				
31	U3215-78601	Connector A - Cooling Hose	2	2	2				
32	U3215-78801	INLET, FRONT HOSE ASSY	1	1	1				
33	U3215-79001	OUTLET FRONT HOSE ASSY	1	1	1				
34	U3350-49101	HOSE	2	2	2				

----> Old replace New

<-X-> Not interchangeable

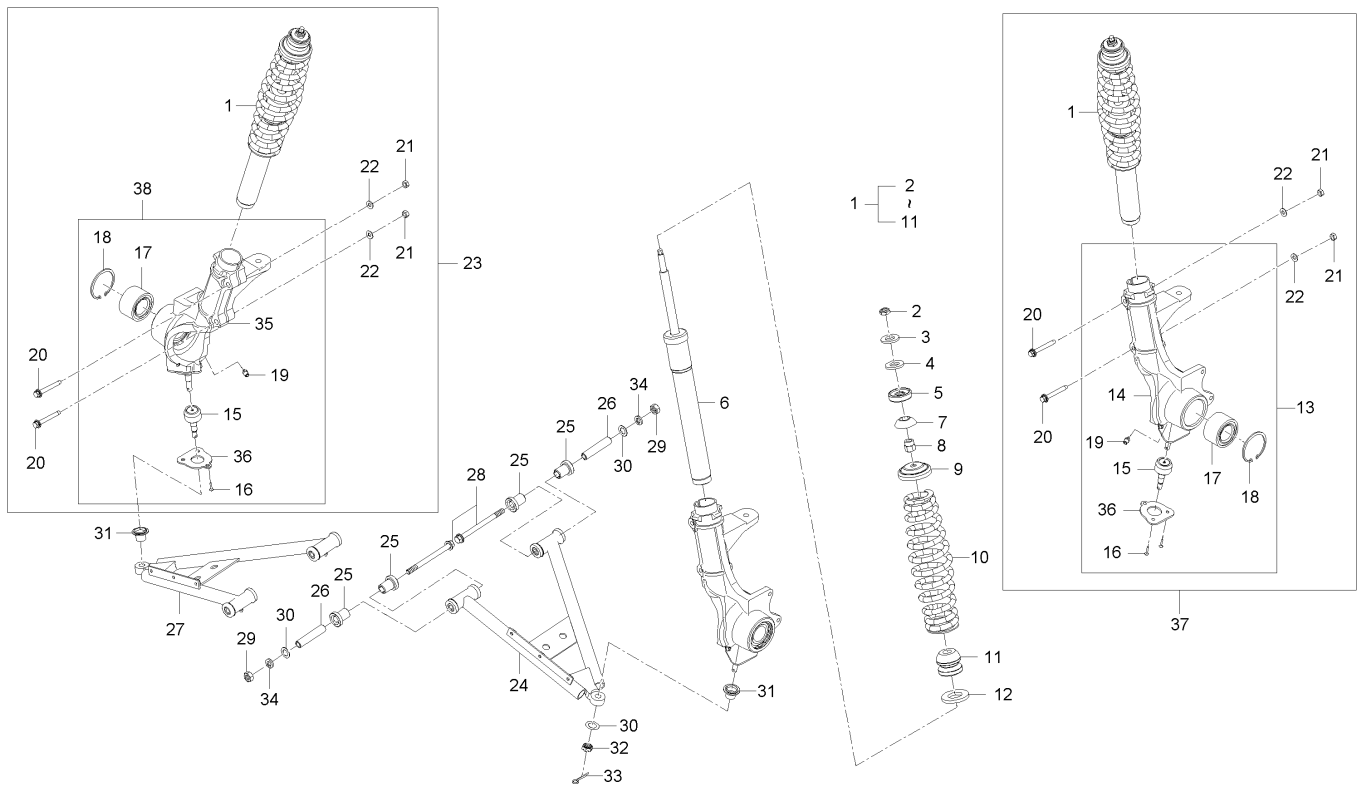
<-0-> Interchangeable with another part(s)

<---- New replace Old

<----> Interchangeable

U1-U0500A

Front Suspension Group(STD)



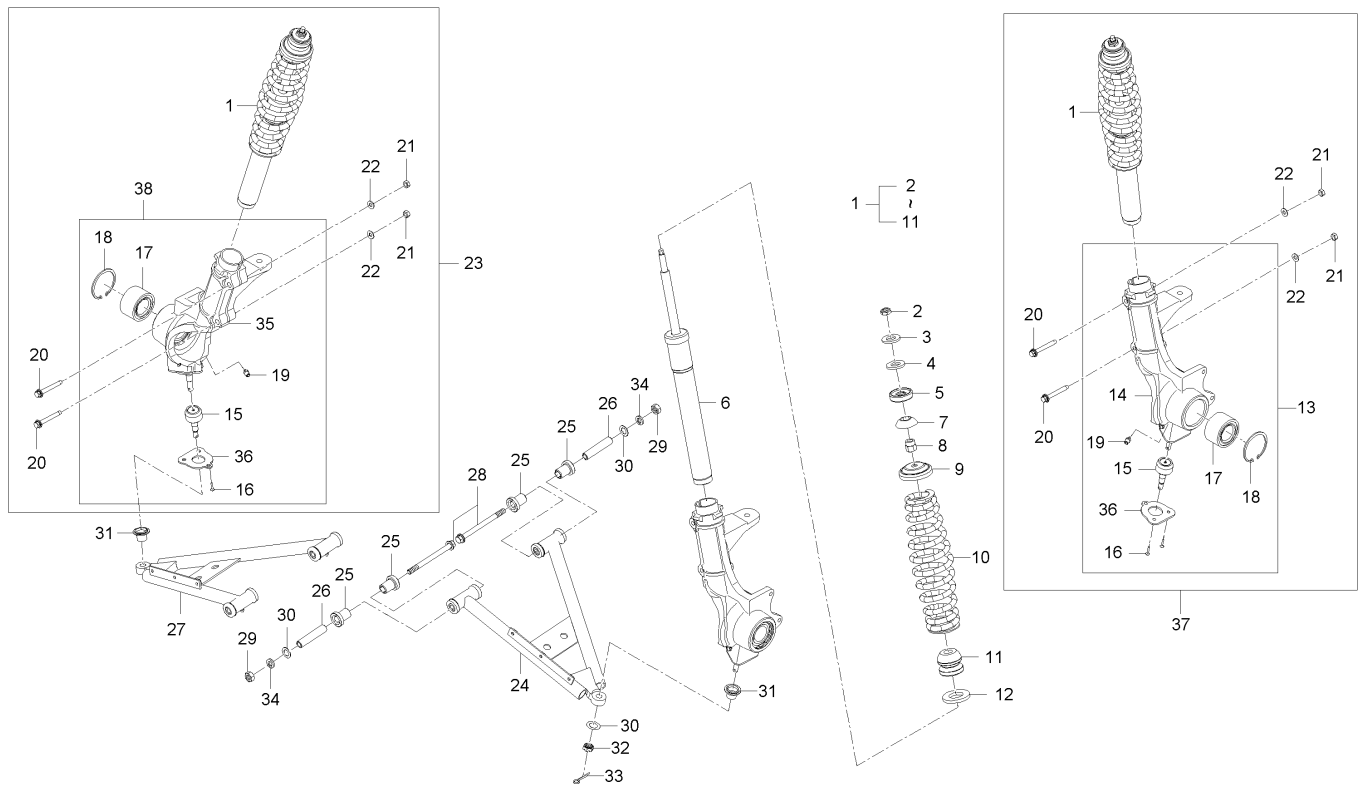
A : MEC2240SW-EU , B : MEC2240SA-EU , C : MEC2240ST-EU

No.	Part Number	Description	Q'TY					I.C	Remark
			A	B	C	D	E		
1	U3215-50011	STRUT ASSY, FRT	1	1	1				
1	U3215-50012	STRUT ASSY, FRT	1	1	1			<---->	
1	U3215-50013	STRUT ASSY, FRT	1	1	1			<---->	
2	U3215-50171	NUT, STRUT TOP MTG	1	1	1				
3	U3215-50111	WASHER	1	1	1				
4	U3215-50121	SPACER, RUBBER	1	1	1				
4	U3215-50122	SPACER, RUBBER	1	1	1			<---->	
5	U3215-50131	BALL, UPR STRUT UPR MTG	1	1	1				
6	U3215-50101	SHK/ABS ASSY, FR	1	1	1				
7	U3215-50141	BALL, LWR STRUT UPR MTG	1	1	1				
8	U3215-50151	COLLAR	1	1	1				
9	U3215-50211	SPRG SEAT, UPR FR	1	1	1				
10	U3215-50201	FRICTION SPRING	1	1	1				
10	U3215-50202	FRICTION SPRING	1	1	1			<---->	
11	U3215-50401	BUMP STOPPER	1	1	1				
12	U3215-50221	SPRG SEAT, LWR FR	1	1	1				
13	U3215-50308	Kunckle Assy-FR-LH	1	1	1				
13	U3215-50309	Kunckle Assy-FR-LH	1	1	1			<---->	
13	U3215-5030A	Kunckle Assy-FR-LH	1	1	1			<---->	

----> Old replace New
 <-X-> Not interchangeable
 <-0-> Interchangeable with another part(s)
 <----> New replace Old
 <----> Interchangeable

U1-U0500A

Front Suspension Group(STD)



A : MEC2240SW-EU , B : MEC2240SA-EU , C : MEC2240ST-EU

No.	Part Number	Description	Q'TY					I.C	Remark
			A	B	C	D	E		
14	U3215-50316	Knuckle-LH	1	1	1			<--->	
14	U3215-50317	Knuckle-LH	1	1	1			<--->	
15	U3215-50322	BOLL JOINT ASSY, FR LWR	1	1	1				
15	U3215-50323	BOLL JOINT ASSY, FR LWR	1	1	1			<--->	
16	03016-50620	BOLT	3	3	3				M6XP1.0
16	T5517-77711	BOLT	3	3	3			<--->	
17	U3215-50331	HUB BEARING, FR	1	1	1				
17	U3400-24511	HUB BEARING, FR	1	1	1			<--->	
17	U3217-50331	HUB BEARING, FR	1	1	1			<--->	
18	04611-00650	SNAP RING	1	1	1				
19	06613-10675	GREASE NIPPLE	1	1	1				M6XP0.75
20	01125-50860	BOLT, WASHER	2	2	2				
21	02156-50080	NUT	2	2	2				M8XP1.25
22	04013-50080	WASHER	2	2	2				M8
23	U3215-51008	Strut Assy-FR-RH-Complete	1	1	1				
23	U3215-51009	Strut Assy-FR-RH-Complete	1	1	1			<--->	
23	U3215-5100A	Strut Assy-FR-RH-Complete	1	1	1			<--->	
23	U3215-5100B	Strut Assy-FR-RH-Complete	1	1	1			<--->	
24	U3210-52105	Arm-Lwr-FR-LH	1	1	1				

---> Old replace New

<-X-> Not interchangeable

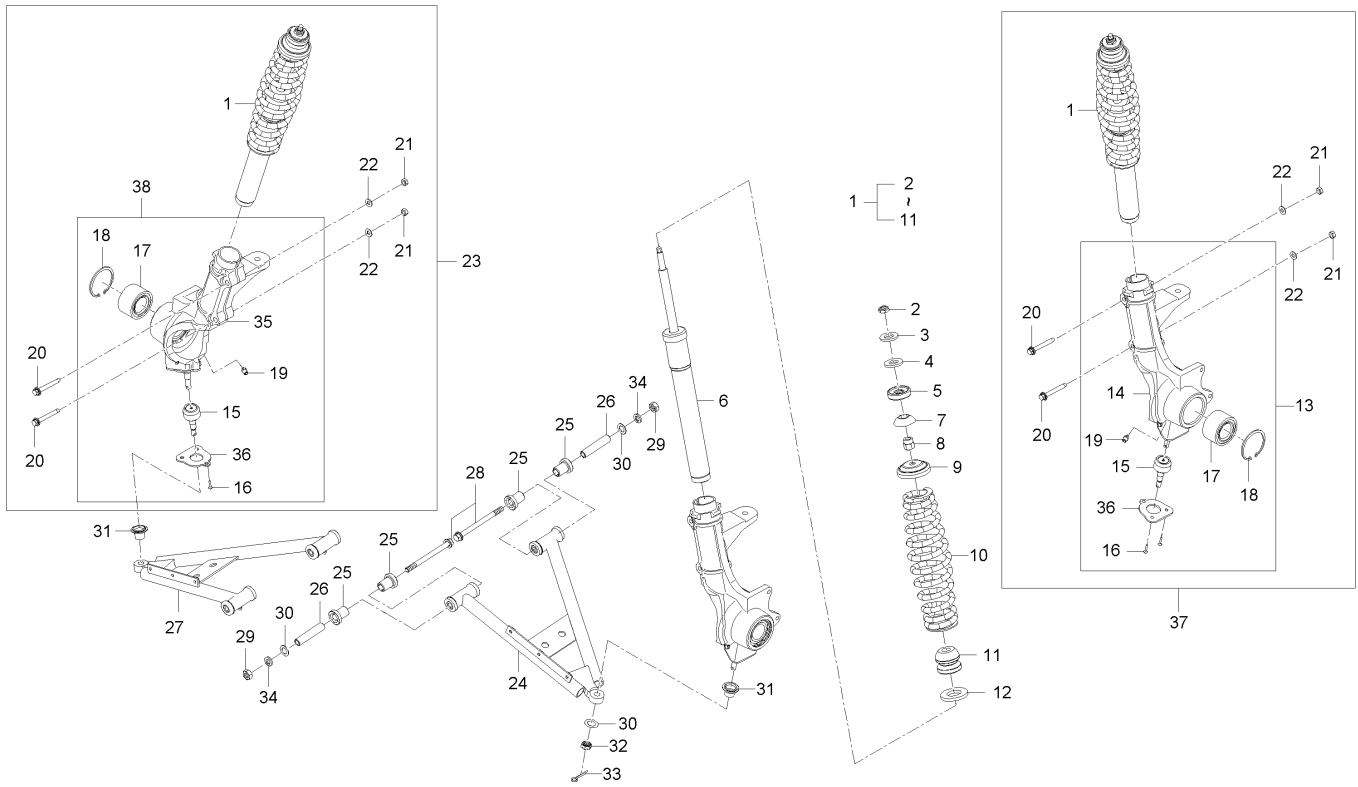
<-0-> Interchangeable with another part(s)

<---> New replace Old

<---> Interchangeable

U1-U0500A

Front Suspension Group(STD)



A : MEC2240SW-EU , B : MEC2240SA-EU , C : MEC2240ST-EU

No.	Part Number	Description	Q'TY					I.C	Remark
			A	B	C	D	E		
25	U3215-52201	BUSHING, ARM	4	4	4				
26	U3215-52301	BUSH	2	2	2				
27	U3210-52505	Arm Assy-LWR-FR-RH	1	1	1				
28	U3210-50511	BOLT	4	4	4				
29	02176-50100	NUT	4	4	4				M10XP1.25
30	04013-50100	WASHER, PLAIN	6	6	6				M10
31	U3215-50553	BOOT, BALL JOINT	2	2	2				
32	02376-50100	NUT, CASTLE	2	2	2				
33	05511-50318	PIN, SPLIT	2	2	2				
34	04512-50100	WASHER, SPRING	4	4	4				M10
35	U3215-51316	Knuckle-RH	1	1	1				
35	U3215-51317	Knuckle-RH	1	1	1				<----
36	U3215-50502	BRACKET, B/JOINT	1	1	1				
36	U3215-50503	BRACKET, B/JOINT	1	1	1				<----
37	U3215-50009	Strut Assy-FR-LH-Complete	1	1	1				
37	U3215-5000A	Strut Assy-FR-LH-Complete	1	1	1				<----
37	U3215-5000B	Strut Assy-FR-LH-Complete	1	1	1				<----
38	U3215-51308	Kunckle Assy-FR-RH	1	1	1				
38	U3215-51309	Kunckle Assy-FR-RH	1	1	1				<----

----> Old replace New

<-X-> Not interchangeable

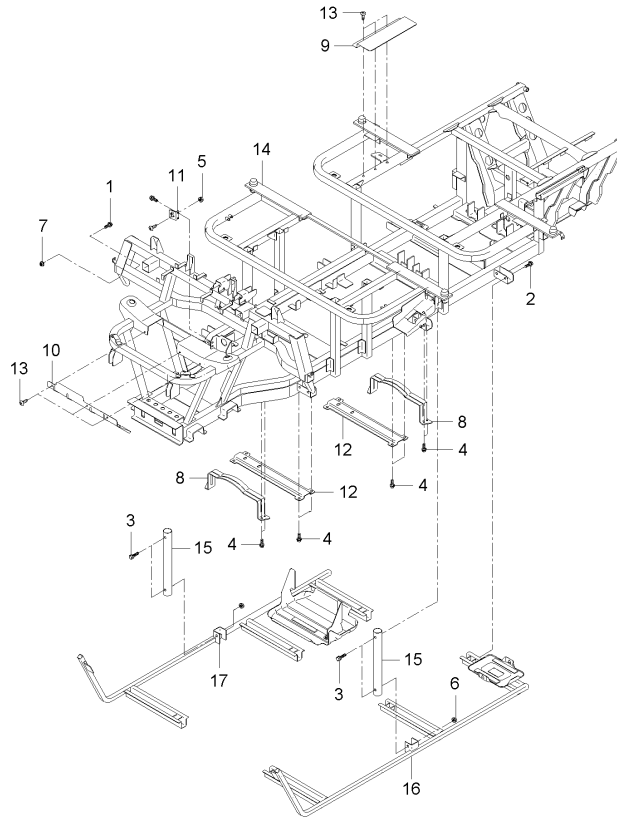
<-0-> Interchangeable with another part(s)

<----> New replace Old

<----> Interchangeable

U3350-G500A

FRAME



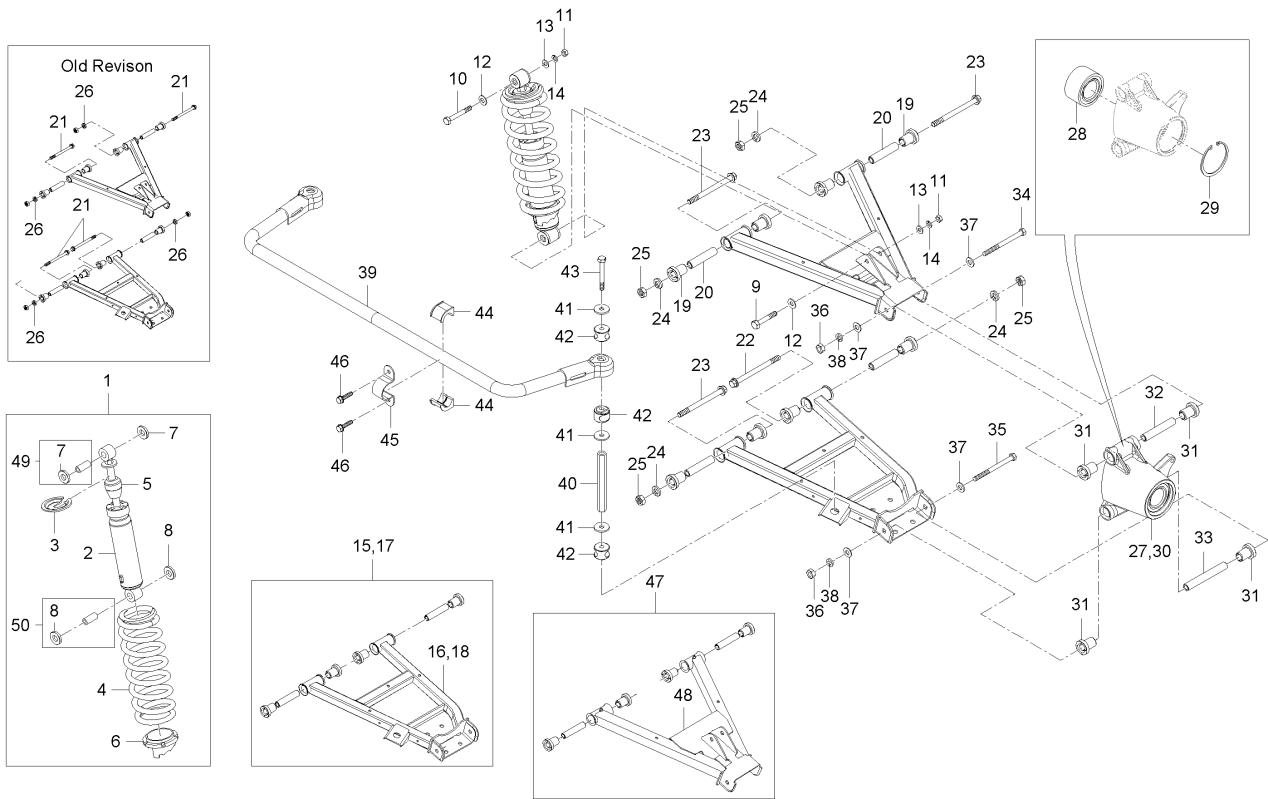
A : MEC2240SW-EU , B : MEC2240SA-EU , C : MEC2240ST-EU

No.	Part Number	Description	Q'TY					I.C	Remark
			A	B	C	D	E		
1	01125-50818	BOLT, WASHER	4	4	4				M8P1.25
2	01125-50860	BOLT, WASHER	12	12	12				
3	01125-50870	BOLT	4	4	4				
4	01774-51020	BOLT, FLANGE	16	16	16				M10P1.25
5	02761-50060	FLANGE NUT	1	1	1				M6XP1.0
6	02763-50080	FLANGE NUT	4	4	4				M8XP1.25
7	02763-50080B	FLANGE NUT	4	4	4				
8	U3210-21641	Main Floor Support	2	2	2				
9	U3210-27101	COVER, COOLING FAN	1	1	1				
10	U3210-27522	HEAT-PROTECTOR BRKT	1	1	1				
11	U3210-27601	Stay Rod BRKT	1	1	1				
12	U3210-27902	Member No.1 Lower Middle Assy	2	2	2				
13	U3215-81552	Screw (Black)	9	9	9				
14	U3350-50005	FRAME	1	1	1				
14	U3350-50006	FRAME	1	1	1				<----
14	U3350-50007	FRAME	1	1	1				<----
14	U3350-50009	FRAME	1	1	1				<----
15	U3350-50111	FRAME, CONN-VIRTICAL	2	2	2				
16	U3350-56002	Support Floor Frame Assy LH	1	1	1				

<----> Old replace New
 <-X-> Not interchangeable
 <-0-> Interchangeable with another part(s)
 <----> New replace Old
 <----> Interchangeable

U1-U0510A

Rear Suspension Group(STD)



A : MEC2240SW-EU , B : MEC2240SA-EU , C : MEC2240ST-EU

No.	Part Number	Description	Q'TY					I.C	Remark
			A	B	C	D	E		
1	U3215-53003	Strut Assy-RR	2	2	2				
1	U3215-53004	STRUT ASSY RR	2	2	2			<----	
2	U3215-53102	DAMPER	2	2	2				
3	U3215-53203	SPRG SEAT-UPR-RR	2	2	2				
4	U3215-53301	FRICTION SPRING	2	2	2				
5	U3215-53401	BUMP STOPPER	2	2	2				
6	U3215-53501	SPRG SEAT, LWR FR	2	2	2				
7	U3215-53601	BUSHING, RR SHK ABS	2	2	2				
8	U3215-53701	BUSHING, LWR_RR SHK/ABS	2	2	2				
9	U3215-56651	REAMER BOLT, SUS LWR, REAR (M8)	2	2	2				
10	U3215-56631	REAMER BOLT, SUS UPR, REAR (M8)	2	2	2				
11	02156-50080	NUT	4	4	4			M8XP1.25	
12	04013-50100	WASHER, PLAIN	4	4	4			M10	
13	04013-50080	WASHER	4	4	4			M8	
14	04512-50080	SPRING WASHER	4	4	4			M08	
15	U3210-55005	Arm Assy 1-Lwr-RR-LH	1	1	1				
16	U3210-55105	Arm Assy-Lwr-RR-LH	1	1	1				
17	U3210-55505	Arm Assy 1-Lwr-RR-RH	1	1	1				
18	U3210-55605	Arm Assy-Lwr-RR-RH	1	1	1				

----> Old replace New

<-X-> Not interchangeable

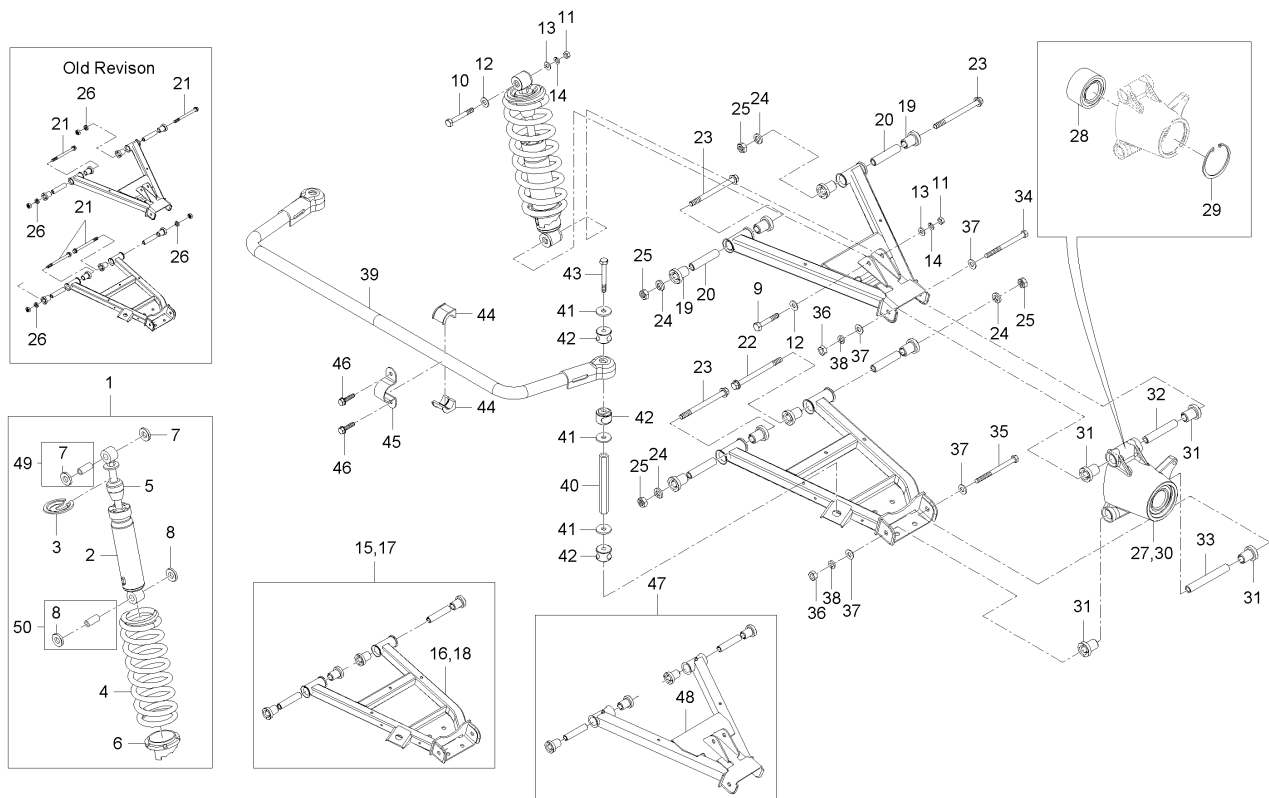
<-0-> Interchangeable with another part(s)

<---- New replace Old

<----> Interchangeable

U1-U0510A

Rear Suspension Group(STD)



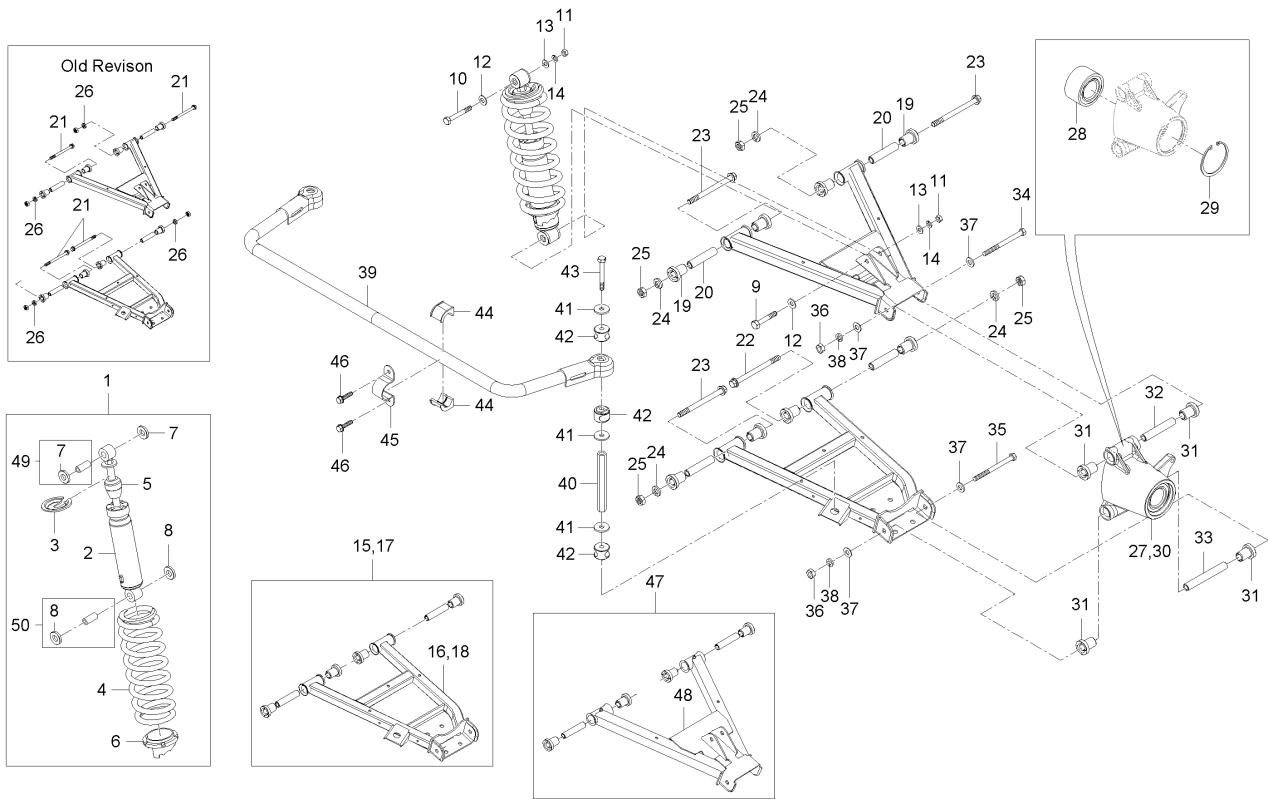
A : MEC2240SW-EU , B : MEC2240SA-EU , C : MEC2240ST-EU

No.	Part Number	Description	Q'TY					I.C	Remark
			A	B	C	D	E		
19	U3215-52202	BUSHING, ARM	4	4	4				
20	U3215-52301	BUSH	2	2	2				
21	U3210-50511	BOLT	8	8	8				
22	U3215-10031	BOLT	2	2	2				
23	U3210-50511	BOLT	6	6	6				
24	04512-50100	WASHER, SPRING	8	8	8				M10
25	02176-50100	NUT	8	8	8				M10XP1.25
26	04013-50100	WASHER, PLAIN	8	8	8				M10
27	U3215-56005	CARRIER ASSY RR LH	1	1	1				
27	U3215-56006	CARRIER ASSY RR LH	1	1	1			<----	
27	U3215-56007	CARRIER ASSY RR LH	1	1	1			<----	
28	U3215-56201	HUB BEARING, RR	1	1	1				
28	U3400-26511	HUB BEARING, RR	1	1	1			<-->	
28	U3217-56201	HUB BEARING, RR	1	1	1			<-0->	
29	04611-00750	SNAP RING	1	1	1				
30	U3215-56505	CARRIER ASSY RR RH	1	1	1				
30	U3215-56506	CARRIER ASSY RR RH	1	1	1			<----	
30	U3215-56507	CARRIER ASSY RR RH	1	1	1			<----	
31	U3215-52202	BUSHING, ARM	4	4	4			<----	

----> Old replace New
 <-X-> Not interchangeable
 <-0-> Interchangeable with another part(s)
 <---- New replace Old
 <----> Interchangeable

U1-U0510A

Rear Suspension Group(STD)



A : MEC2240SW-EU , B : MEC2240SA-EU , C : MEC2240ST-EU

No.	Part Number	Description	Q'TY					I.C	Remark
			A	B	C	D	E		
32	U3215-56301	TUBE, CARRIER UPR	1	1	1				
33	U3215-56401	TUBE, CARRIER LOW	1	1	1				
34	U3215-56681	BOLT, UPR ARM MTG TO CARRIER(M10X11	2	2	2				
35	U3215-56672	BOLT, LWR ARM MTG TO CARRIER(M10X13	2	2	2				
36	02176-50100	NUT	6	6	6			M10XP1.25	
37	04013-50100	WASHER, PLAIN	8	8	8			M10	
38	04512-50100	WASHER, SPRING	4	4	4			M10	
39	U3215-57103	BAR-STABILIZER	1	1	1				
40	U3215-57231	STAB BAR LINK	2	2	2				
41	U3215-57211	WASHER, STAB BAR	8	8	8				
42	U3215-57221	BUSH, STAB BAR	8	8	8				
43	01176-51070	BOLT	4	4	4			M10*1.25	
44	U3215-57301	BUSHING, STAB BAR MTG.	4	4	4				
45	U3215-57401	CLAMP, STAB BAR MTG.	2	2	2				
46	01125-50820	BOLT, WASHER	4	4	4			M8*P1.25	
47	U3210-54002	Arm Assy1-UPR-RR	2	2	2				
48	U3210-54102	Arm Assy-Upr-RR	2	2	2				
49	U3215-53601-S	ASS'Y, UPPER RING	1	1	1				
50	U3215-53701-S	ASS'Y, LOWER RING	1	1	1				

----> Old replace New

<-X-> Not interchangeable

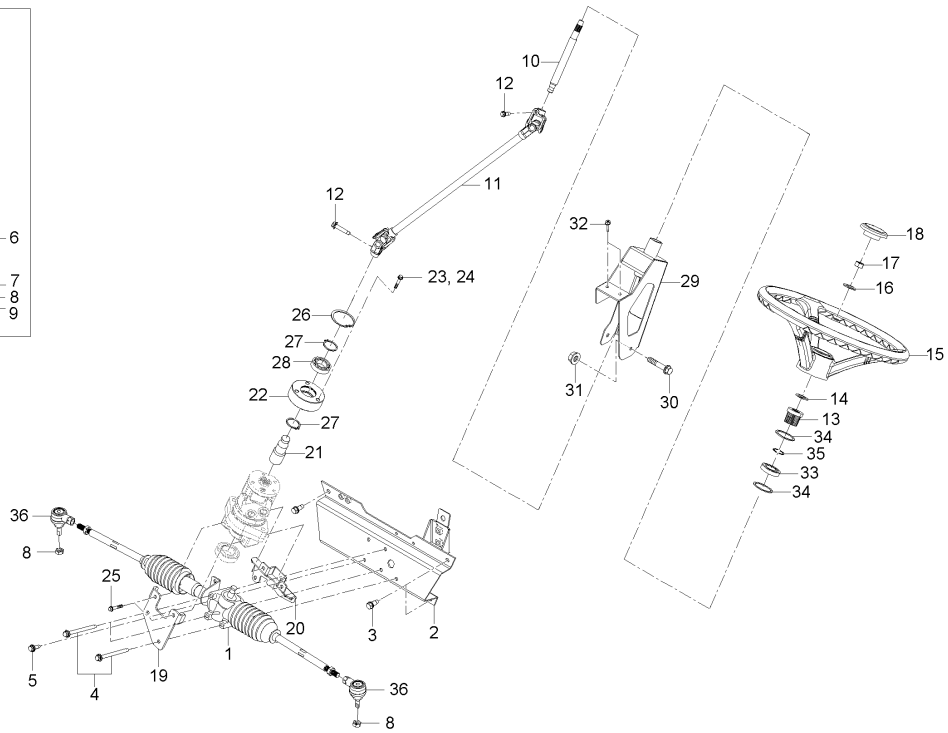
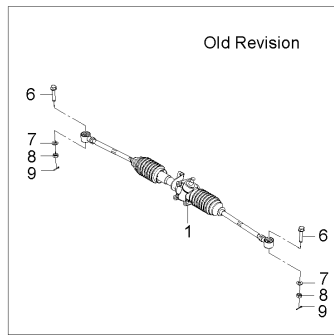
<-0-> Interchangeable with another part(s)

<---- New replace Old

<----> Interchangeable

U1-U0524A

POWER STEERING GROUP, KIOTI



A : MEC2240SW-EU , B : MEC2240SA-EU , C : MEC2240ST-EU

No.	Part Number	Description	Q'TY					I.C	Remark
			A	B	C	D	E		
1	U3215-58005	GEAR BOX ASSY, STEERING	1	1	1				
2	U3210-59123	Brkt - Steering Unit	1	1	1				
3	01135-51020	BOLT, WASHER	4	4	4				M10*1.25
4	01125-50895	BOLT	3	3	3				
5	01125-50820	BOLT, WASHER	4	4	4				M8*P1.25
6	U3215-58151	BOLT, TIE ROD END MTG.(M10X52)	2	2	2				
7	04013-50100	WASHER, PLAIN	2	2	2				M10
8	02372-50100	NUT, SLOTTED	2	2	2				
9	05511-50318	PIN, SPLIT	2	2	2				
10	U3210-59413	A8 FEMALE HALF SHAFT C/W PTO YOKE	1	1	1				
11	U3210-59421	JOINT	1	1	1				
12	01125-50830	BOLT, WASHER	1	1	1				M8*P1.25
13	U3215-59031	CUSHION, RUBBER	1	1	1				
14	04013-50160	WASHER, PLAIN	1	1	1				M16
15	T2350-55454	HANDLE	1	1	1				
16	04512-50120	WASHER, SPRING	1	1	1				M12
17	02176-50120	NUT	1	1	1				M12*1.25
18	T2350-55462	CAP, HANDLE	1	1	1				
19	U3210-59151	STEERING BRKT,FRONT	1	1	1				

----> Old replace New

<-X-> Not interchangeable

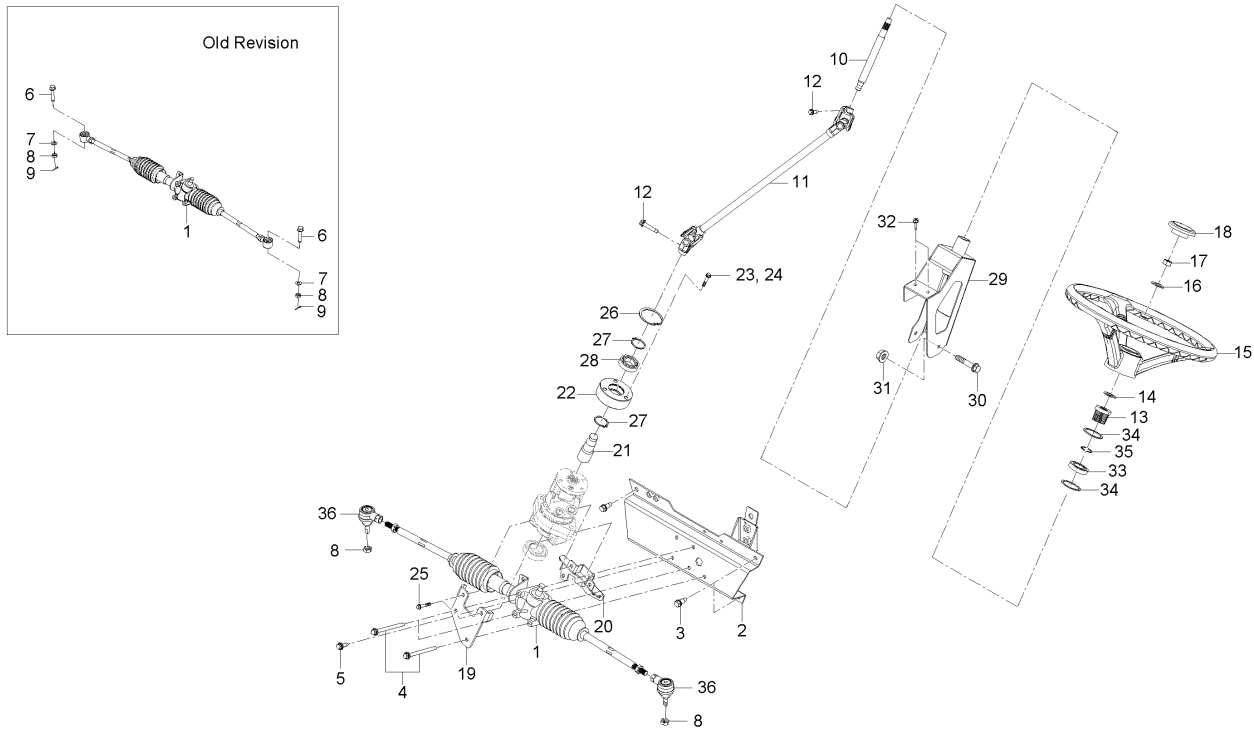
<-0-> Interchangeable with another part(s)

<---- New replace Old

<----> Interchangeable

U1-U0524A

POWER STEERING GROUP, KIOTI



A : MEC2240SW-EU , B : MEC2240SA-EU , C : MEC2240ST-EU

No.	Part Number	Description	Q'TY					I.C	Remark
			A	B	C	D	E		
20	U3210-59162	STEERING BRKT,REAR	1	1	1				
21	U3210-59431	STEERING SHAFT	1	1	1				
22	U3210-59442	Bearing Holder	1	1	1				
23	01023-50616	BOLT, WASHER	2	2	2				M6*P1.0
24	01125-50840	BOLT, WASHER	3	3	3				
25	01125-50865	BOLT, WASHER	2	2	2				M8 X P1.25
26	04611-00400	RING, STOPPER	1	1	1				
27	04612-00170	SNAP RING	2	2	2				
28	08141-06203	BALL BEARING	1	1	1				6203DD
29	U3210-26202	STEERING COVER ASSY	1	1	1				
30	01125-51035	BOLT	2	2	2				
31	02783-50100	FLANGE NUT	2	2	2				M10XP1.25
32	01754-50820	FLANGE BOLT	2	2	2				M8*P1.25
33	08141-06002	BALL BEARING	1	1	1				#6002DD
34	04611-00320	SNAP RING	2	2	2				
35	04612-00150	SNAP RING	1	1	1				
36	U3215-58252	TIE ROD END ASSY	2	2	2				

----> Old replace New

<-X-> Not interchangeable

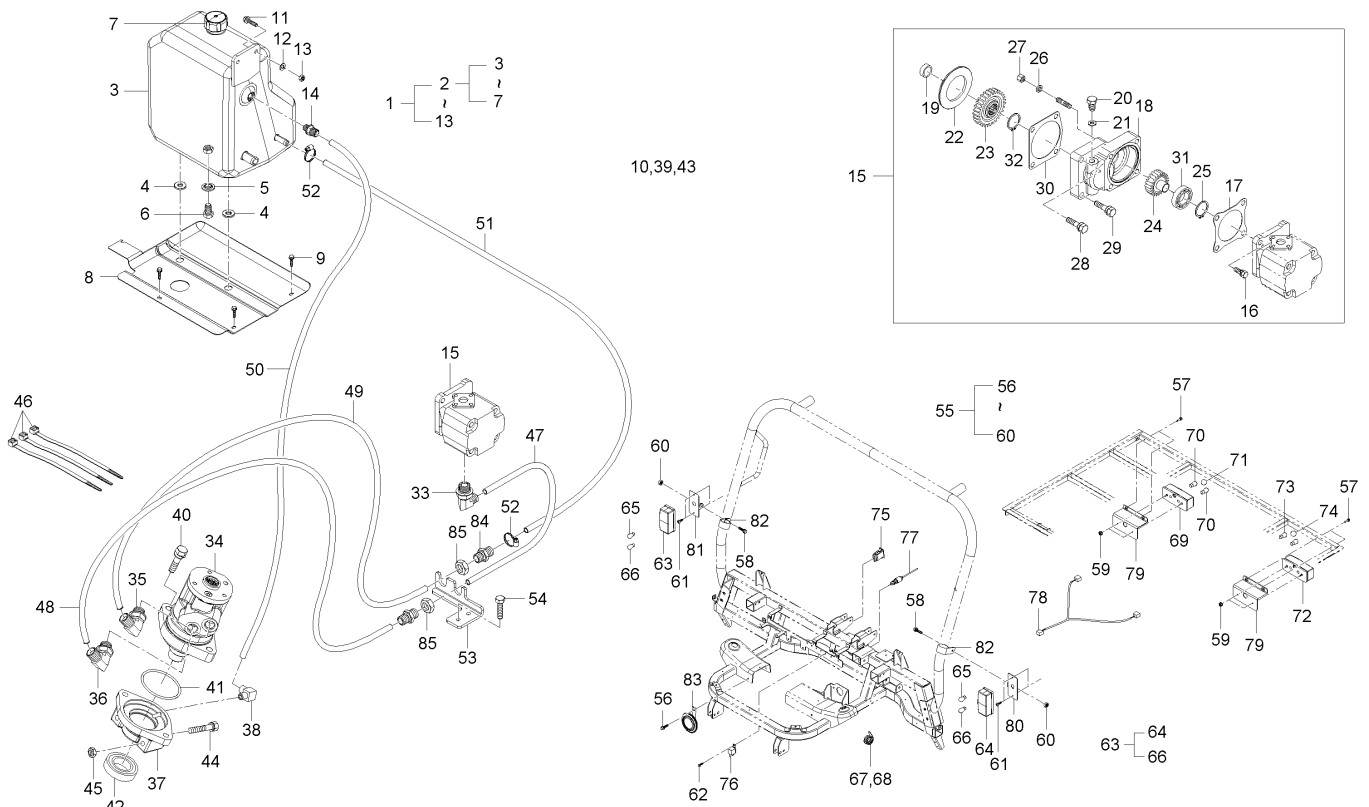
<-0-> Interchangeable with another part(s)

<---- New replace Old

<----> Interchangeable

U3351-G610A

HYDRAULIC SYSTEM



A : MEC2240SW-EU , B : MEC2240SA-EU , C : MEC2240ST-EU

No.	Part Number	Description	Q'TY					I.C	Remark
			A	B	C	D	E		
1	U3215-31155	Oil Tank Assy - Hyd.	1	1	1				
1	U3215-31156	Oil Tank Assy - Hyd.	1	1	1			<----	
2	U3215-30003	Tank Complete - Hyd.	1	1	1				
2	U3215-30004	Tank Complete - Hyd.	1	1	1			<----	
3	U3215-31003	Tank Assy - Hyd.	1	1	1				
3	U3215-31004	Tank Assy - Hyd.	1	1	1			<----	
4	U3215-77701	BUSHING-RADIATOR	2	2	2				
5	04717-01200	WASHER, SEAL	1	1	1				
6	06331-45012	PLUG	1	1	1				
7	U3215-31141	TANK CAP ASS'Y	1	1	1				
8	U3215-31052	BRACKET HYD. TANK	1	1	1				
9	01025-50618	BOLT	3	3	3				M6*P1.0
10	U3215-96511	SCREW, TAPPING	1	1	1				
11	01125-50825	BOLT, WASHER	2	2	2				M8*1.25
12	04012-50080	WASHER	2	2	2				D1A18*T1.2
13	02054-50080	NUT	2	2	2				M8*P1.25
14	U3210-34041	CONNECTOR	1	1	1				
15	U3215-33301	HYDRAULIC PUMP ASSY	1	1	1				
16	01123-50822	BOLT	2	2	2				M8XP1.25

----> Old replace New

<-X-> Not interchangeable

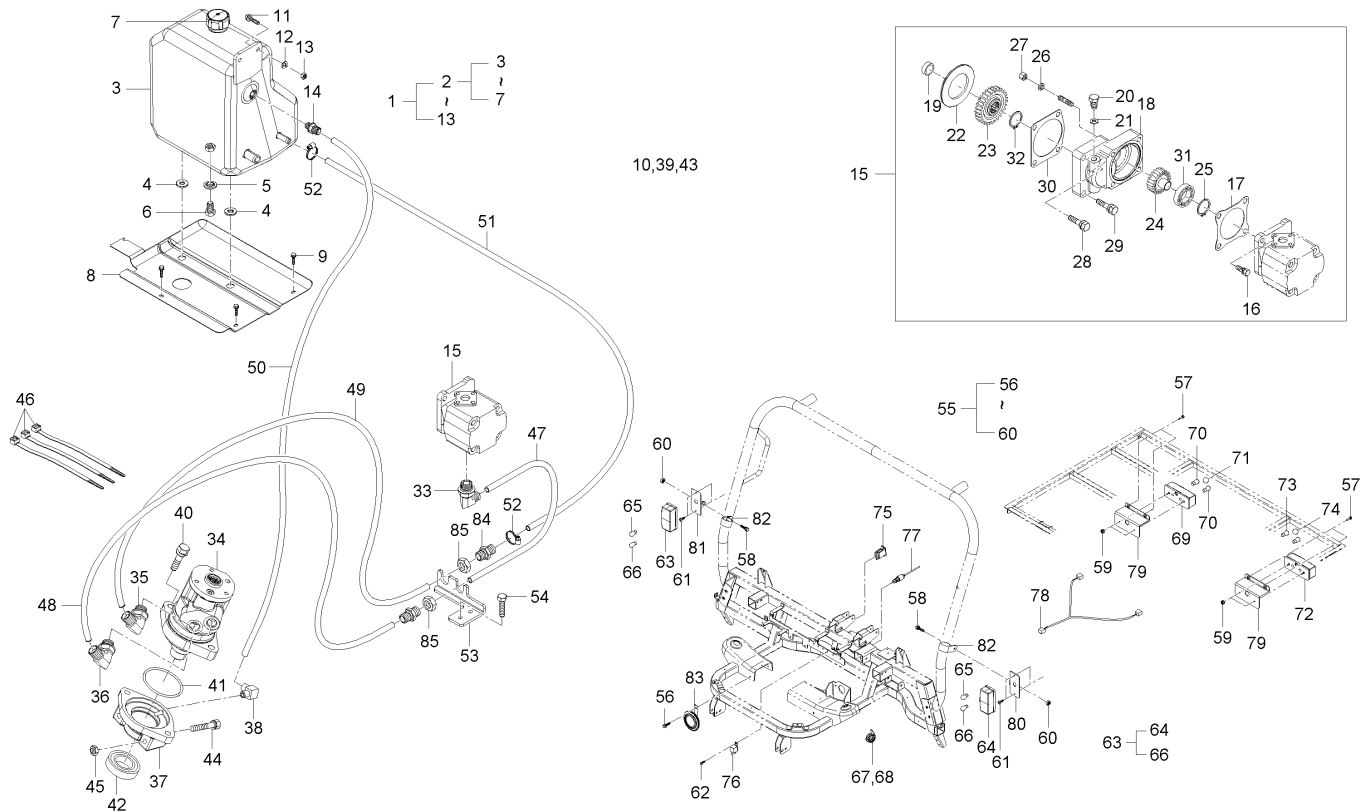
<-0-> Interchangeable with another part(s)

<---- New replace Old

<----> Interchangeable

U3351-G610A

HYDRAULIC SYSTEM



A : MEC2240SW-EU , B : MEC2240SA-EU , C : MEC2240ST-EU

No.	Part Number	Description	Q'TY					I.C	Remark
			A	B	C	D	E		
17	T2380-87132	GASKET	1	1	1				
18	T2368-76001	HOLDER, HYD. PUMP	1	1	1				
19	T2350-76041	SPACER, GEAR PUMP	1	1	1				
20	06331-35010	PLUG	2	2	2				M6*P1.0
21	04714-00100	PACKING	2	2	2				
22	E5205-36481	BUSH	1	1	1				
23	T2350-76021	GEAR, 29 PUMP	1	1	1				
24	T2350-76031	SHAFT, GEAR 18 GEAR PUMP	1	1	1				
25	04612-00190	SNAP RING	1	1	1				
26	04512-50080	SPRING WASHER	1	1	1				M08
27	02156-50080	NUT	1	1	1				M8XP1.25
28	01123-50822	BOLT	1	1	1				M8XP1.25
29	01123-50835	BOLT, WASHER	2	2	2				M8X1.25
30	E5760-36332	GASKET, FUEL CAMSHAFT COVER	1	1	1				
31	08241-05204	BALL BEARING	1	1	1				
32	04612-00200	RING, SNAP	1	1	1				DIA20
33	T4850-45161	ELBOW	1	1	1				
34	U3210-34011	TORQUE GENERATOR	1	1	1				
35	U3210-34061	ELBOW	1	1	1				

----> Old replace New

<-X-> Not interchangeable

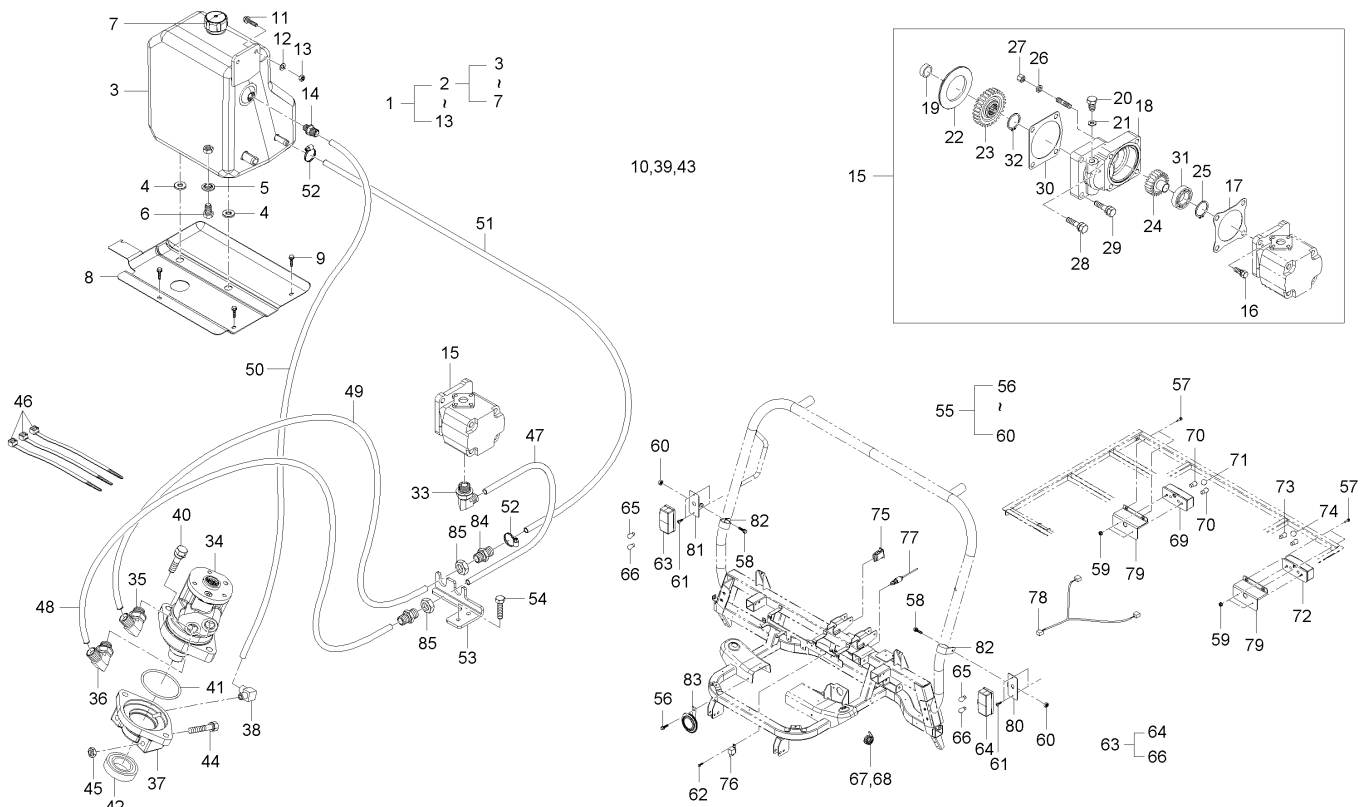
<-0-> Interchangeable with another part(s)

<----> New replace Old

<----> Interchangeable

U3351-G610A

HYDRAULIC SYSTEM



A : MEC2240SW-EU , B : MEC2240SA-EU , C : MEC2240ST-EU

No.	Part Number	Description	Q'TY					I.C	Remark
			A	B	C	D	E		
36	T4850-45161	ELBOW	1	1	1				
37	U3210-34021	CASE,MIDDLE	1	1	1				
38	U3210-34031	ELBOW	1	1	1				
39	04810-00140	O RING	1	1	1				1B,P14
40	01125-51035	BOLT	2	2	2				
41	04811-10800	O RING	1	1	1				
42	09500-35528	SEAL, OIL	1	1	1				TC35*52*8
43	04811-00140	O RING	2	2	2				
44	01025-50618	BOLT	2	2	2				M6*P1.0
45	02176-50100	NUT	1	1	1				M10XP1.25
46	T2198-82561	BAND, CORD	5	5	5				
47	U3210-34111	HOSE P,HYD	1	1	1				
48	U3350-61101	HOSE P1,HYD	1	1	1				
49	U3350-61201	HOSE C1,HYD	1	1	1				
50	U3350-61301	HOSE ASS'Y T	1	1	1				
51	U3210-34161	HOSE, RETURN	1	1	1				
52	52200-2523-1	HOSBAND	2	2	2				
53	U3210-34072	BRACKET, HOSE	1	1	1				
54	01123-50835	BOLT, WASHER	2	2	2				M8X1.25

----> Old replace New

<-X-> Not interchangeable

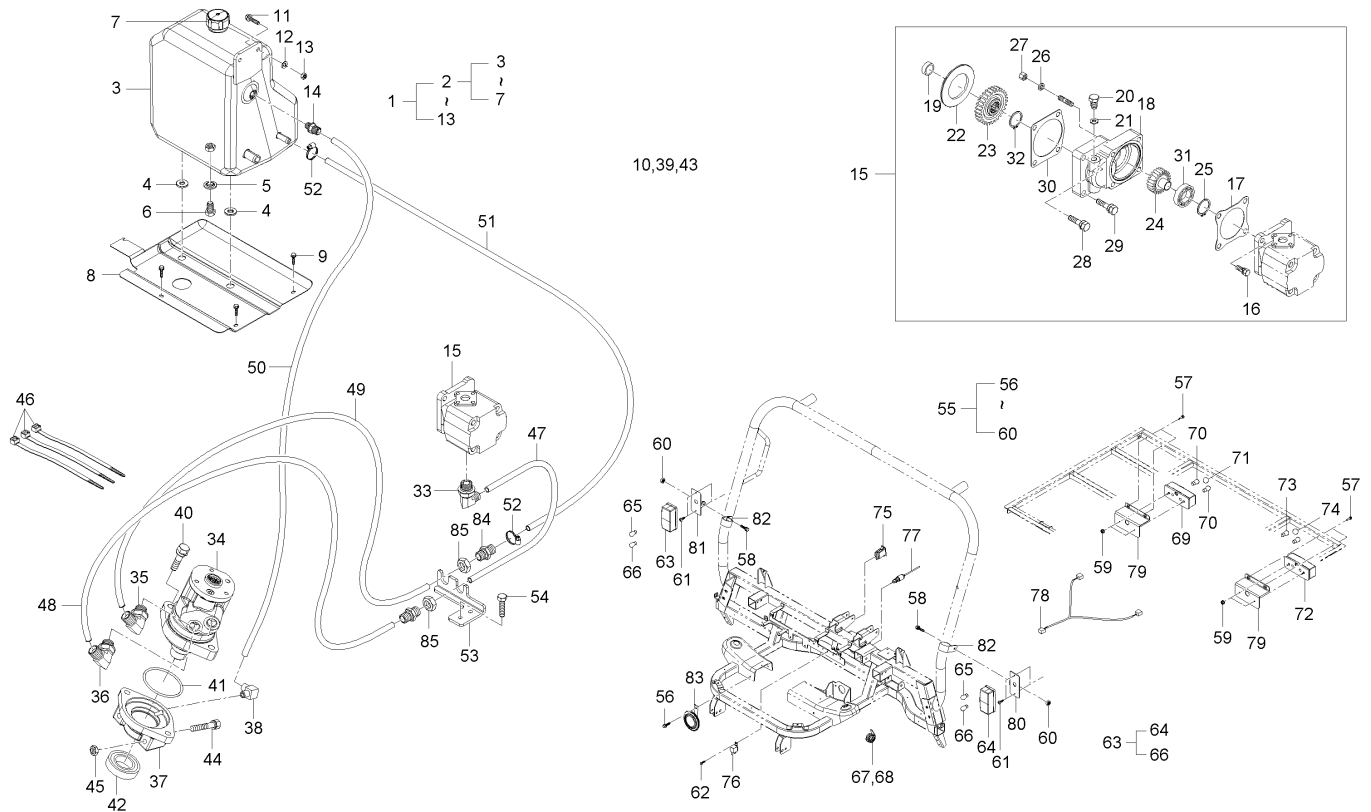
<-0-> Interchangeable with another part(s)

<---- New replace Old

<----> Interchangeable

U3351-G610A

HYDRAULIC SYSTEM



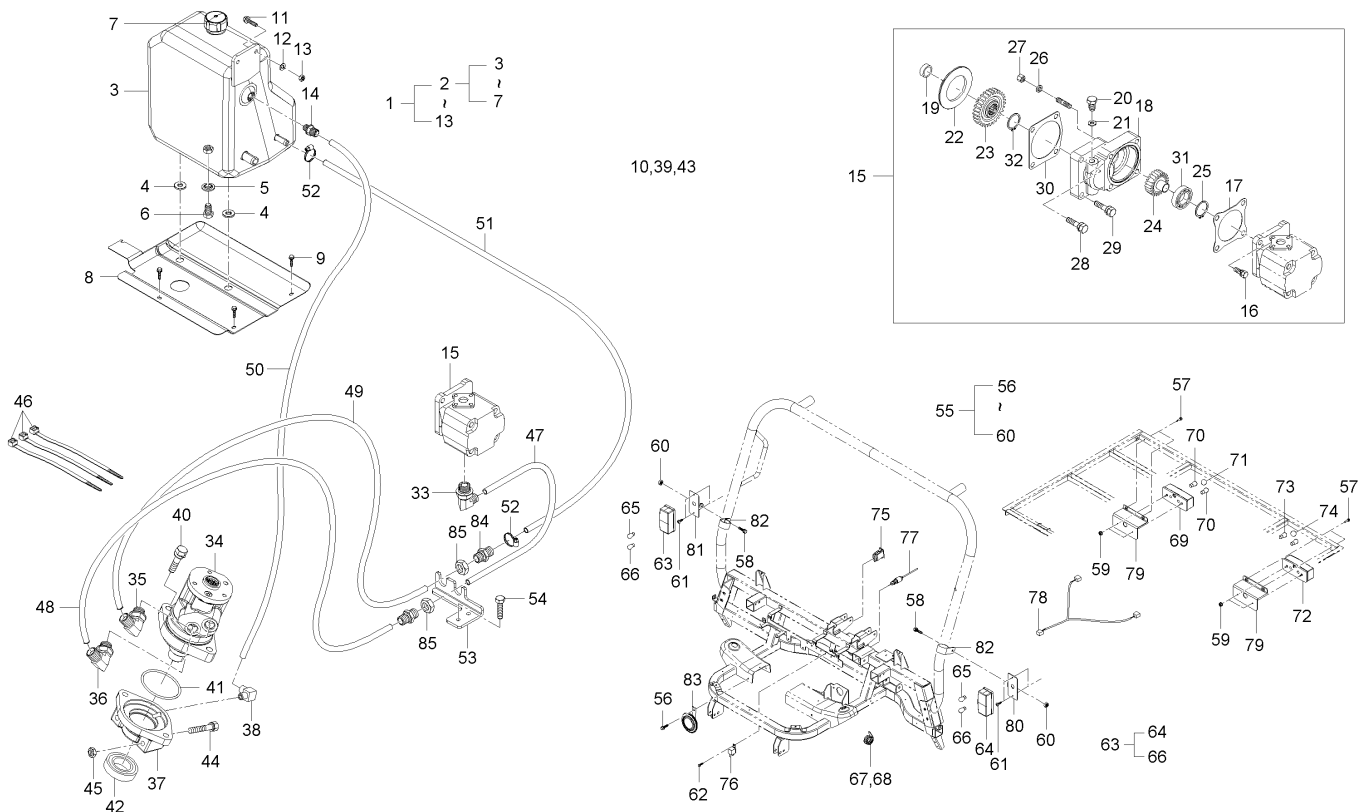
A : MEC2240SW-EU , B : MEC2240SA-EU , C : MEC2240ST-EU

No.	Part Number	Description	Q'TY					I.C	Remark
			A	B	C	D	E		
55	U1-U0980A	OPTIONAL LAMP GROUP	1	1	1				
56	01754-50616B	FLANGE BOLT	1	1	1				
57	01754-50625B	FLANGE BOLT	4	4	4				
58	01754-50816B	FLANGE BOLT	2	2	2				
59	02761-50040B	FLANGE NUT	4	4	4				
60	02763-50080B	FLANGE NUT	2	2	2				
61	03054-50412B	BOLT	4	4	4				
62	03054-50516B	BOLT	1	1	1				
63	T2185-69071	COMBI LIGHT ASSY, FR	2	2	2				
64	T2611-69061	LAMP, HAZARD	2	2	2				
65	T2611-79011	BULB, 12VXP21W	2	2	2				
66	T2611-79041	BULB, 12VXC5W	2	2	2				
67	T2185-82561	BAND,CORD	2	2	2				
68	T2198-82551	BAND,CORD	7	7	7				
69	T2611-75882	REAR LAMP ASSY, RH	1	1	1				
70	T2611-79011	BULB, 12VXP21W	2	2	2				
71	T2611-79021	BULB,LIGHT(27W)	1	1	1				
72	T2611-75892	REAR LAMP ASSY, LH	1	1	1				
73	T2611-79011	BULB, 12VXP21W	2	2	2				

----> Old replace New
 <-X-> Not interchangeable
 <-0-> Interchangeable with another part(s)
 <----> New replace Old
 <----> Interchangeable

U3351-G610A

HYDRAULIC SYSTEM



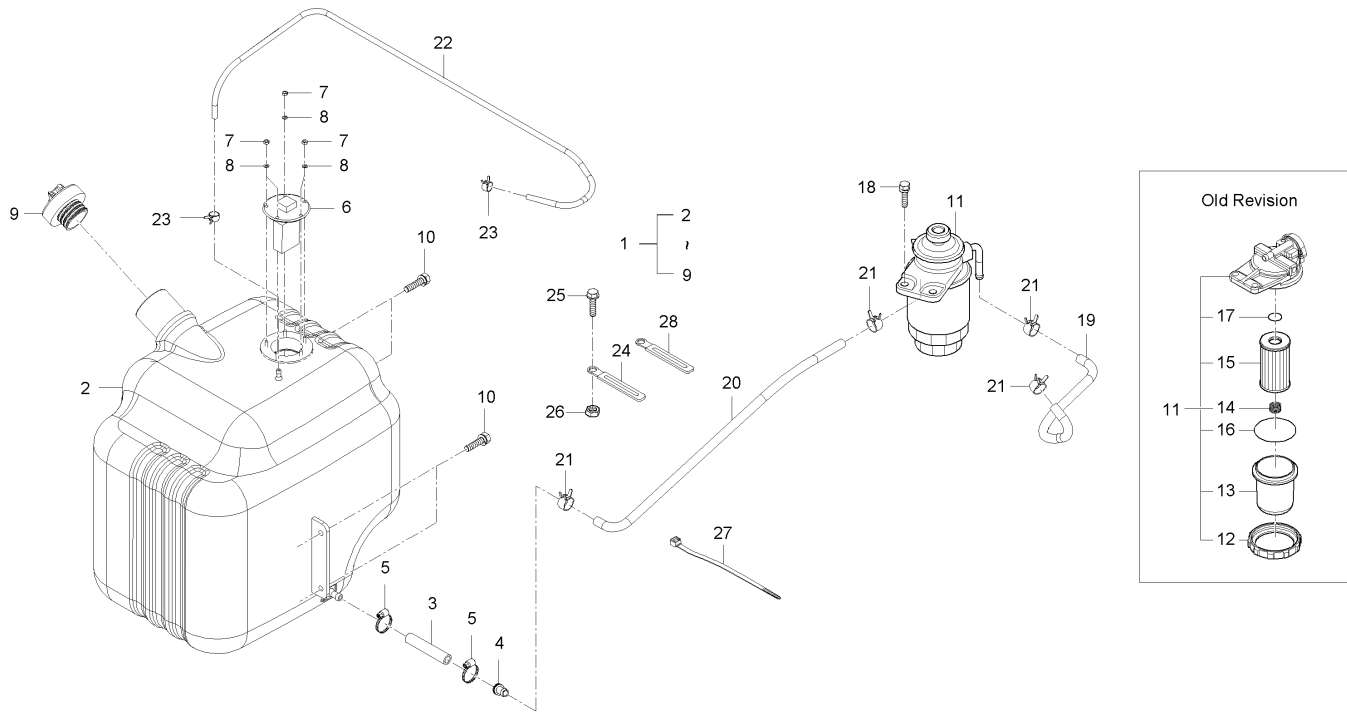
A : MEC2240SW-EU , B : MEC2240SA-EU , C : MEC2240ST-EU

No.	Part Number	Description	Q'TY					I.C	Remark
			A	B	C	D	E		
74	T2611-79021	BULB,LIGHT(27W)	1	1	1				
75	T4025-68351	SWITCH, EMERGENCY LAMP	1	1	1				
76	T4121-31053	FLASHER UNIT, SENSOR	1	1	1				
76	T4121-31054	FLASHER UNIT, SENSOR	1	1	1			<--->	
77	T4520-41821	ASSY SWITCH,STOP	1	1	1				
78	U3210-60841	W/Harness-Rear Lamp	1	1	1				
79	U3215-60171	COMBI LAMP BRACKET, RR	2	2	2				
80	U3215-60341	BRACKET, LH	1	1	1				
81	U3215-60351	BRACKET, RH	1	1	1				
82	U3215-97111	CLAMP	2	2	2				
83	T4144-75952	ASSY HORN	1	1	1				
84	U3210-34051	CONNECTOR	1	1	1				
85	T4931-48011	NUT	2	2	2				

---> Old replace New
 <-X-> Not interchangeable
 <-0-> Interchangeable with another part(s)
 <---- New replace Old
 <----> Interchangeable

U1-U0700A

Fuel System Group



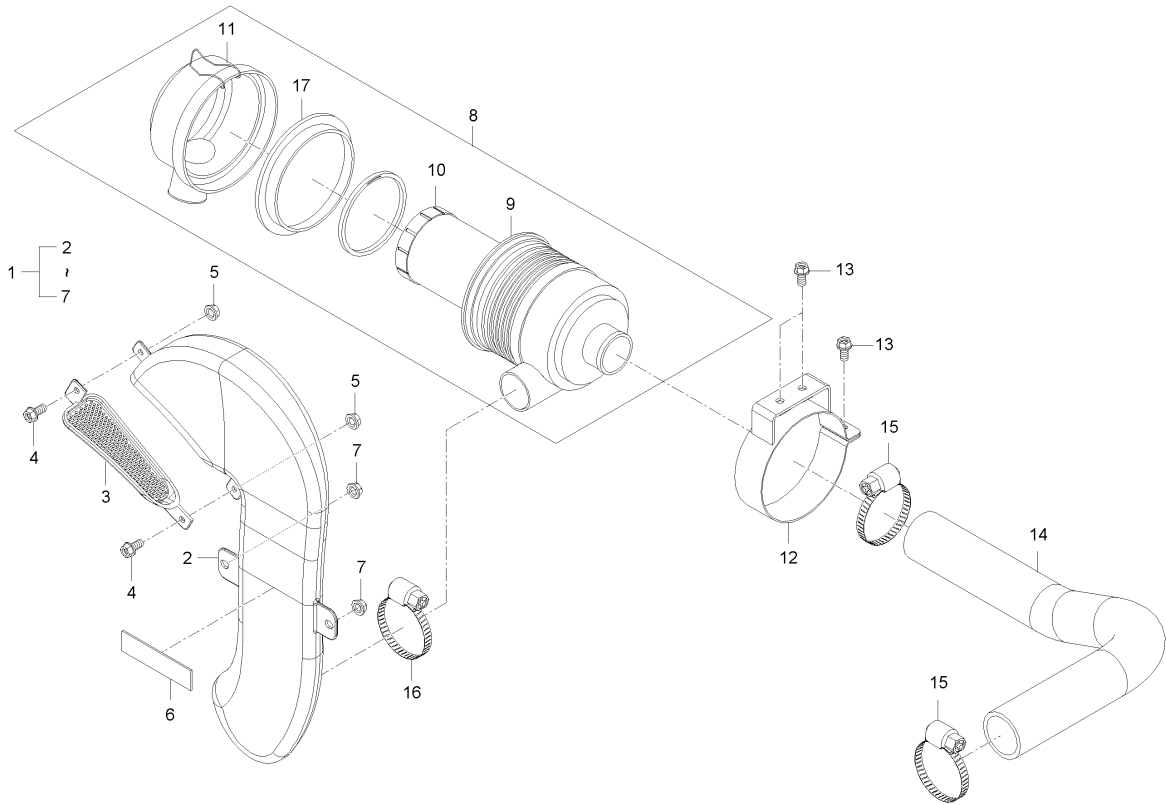
A : MEC2240SW-EU , B : MEC2240SA-EU , C : MEC2240ST-EU

No.	Part Number	Description	Q'TY					I.C	Remark
			A	B	C	D	E		
1	U3210-71011	Fuel Tank Complete	1	1	1				
1	U3210-71012	Fuel Tank Complete	1	1	1			<----	
1	U3210-71013	Fuel Tank Complete	1	1	1			<----	
2	U3215-71101	FUEL TANK ASSY	1	1	1				
2	U3215-71102	FUEL TANK ASS'Y	1	1	1			<----	
2	U3215-71103	FUEL TANK ASS'Y	1	1	1			<----	
3	U3210-71171	HOSE	1	1	1				
4	U3210-71181	Reducer	1	1	1				
5	09318-89035	HOSE CLAMP	2	2	2				
6	U3215-69922	UNIT,FUEL	1	1	1				
7	02054-50040	NUT	5	5	5				M4*P0.7
8	04512-50040	WASHER, SPRING	5	5	5				M4
9	T2611-54823	ASS'Y, FUEL CAP	1	1	1				
10	01754-50820	FLANGE BOLT	4	4	4				M8*P1.25
11	T4682-25732	FUEL FILTER ASSY	1	1	1				
12	84612-4315-1	NUT	1	1	1				
13	T4240-43134	POT, FILTER	1	1	1				
14	84612-4393-0	SPRING	1	1	1				
15	T4682-43172	FILTER, FUEL	1	1	1				

----- Old replace New
 <-X-> Not interchangeable
 <-0-> Interchangeable with another part(s)
 <----> New replace Old
 <----> Interchangeable

U1-U0710A

Intake System Group



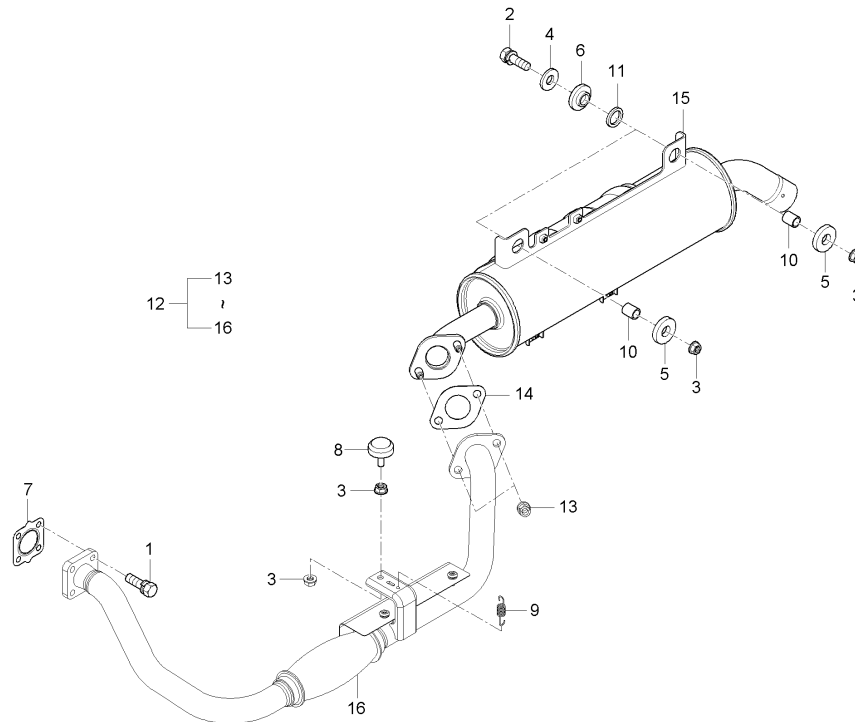
A : MEC2240SW-EU , B : MEC2240SA-EU , C : MEC2240ST-EU

No.	Part Number	Description	Q'TY					I.C	Remark
			A	B	C	D	E		
1	U3215-72611	DUCT ASSY-AIR INTAKE	1	1	1				
2	U3215-72622	DUCT, AIR INTAKE	1	1	1				
3	U3215-72641	COVER, DUCT	1	1	1				
4	U3215-81552	Screw (Black)	2	2	2				
5	02761-50060B	FLANGE NUT	2	2	2				
6	U3215-72781	INSULATION-DUCT,FRAME	1	1	1				
7	02763-50080	FLANGE NUT	2	2	2			M8XP1.25	
8	T2350-11612	AIR CLEANER ASSY	1	1	1				
9	T2350-11631	BODY, AIR CLEANER	1	1	1				
10	T2350-11641	ELEMENT ASSY	1	1	1				
11	T2350-11651	COVER, AIR CLEANER	1	1	1				
12	U3210-73321	Band Assy - Air Cleaner	1	1	1				
13	01754-50816	BOLT, FLANGE	3	3	3			M8*P1.25	
14	U3215-73391	ELBOW HOSE	1	1	1				
15	09318-89058	HOSE CLAMP	2	2	2				
16	09318-87051	HOSE CLAMP	1	1	1				
17	U3210-73171	SEAL,DUST	1	1	1				

----- Old replace New
 <-X-> Not interchangeable
 <-0-> Interchangeable with another part(s)
 ----- New replace Old
 ----- Interchangeable

U3-U0720A

Exhaust System Group(STD)



A : MEC2240SW-EU , B : MEC2240SA-EU , C : MEC2240ST-EU

No.	Part Number	Description	Q'TY					I.C	Remark
			A	B	C	D	E		
1	01125-50830	BOLT, WASHER	4	4	4			M8*P1.25	
2	01123-50845	BOLT, WASHER	2	2	2			M8*P1.25	
3	02763-50080	FLANGE NUT	4	4	4			M8XP1.25	
4	04015-50080	WASHER, PLAIN	2	2	2			T2.6	
5	U3215-75301	WASHER, RUBBER	2	2	2				
6	U3215-75401	DAMPENER, VIBRATION	2	2	2				
7	U3215-75471	GASKET, EXH, MANIFOLD	1	1	1				
8	U3215-75681	DAMPER ASSY, TORSION	1	1	1				
9	U3215-76051	SPRING, MOUNTING	1	1	1				
10	U3215-76951	BUSH	2	2	2				
11	U3215-76971	WASHER	2	2	2				
12	U3230-75953	EXHAUST ASSY	1	1	1				
13	U3215-76701	NUT, CENTER PIPE	2	2	2				
14	U3215-75921	GASKET	1	1	1				
15	U3215-75982	Pipe Assy Rear	1	1	1				
16	U3230-75962	PIPE ASS'Y FRT	1	1	1				

----> Old replace New

<-X-> Not interchangeable

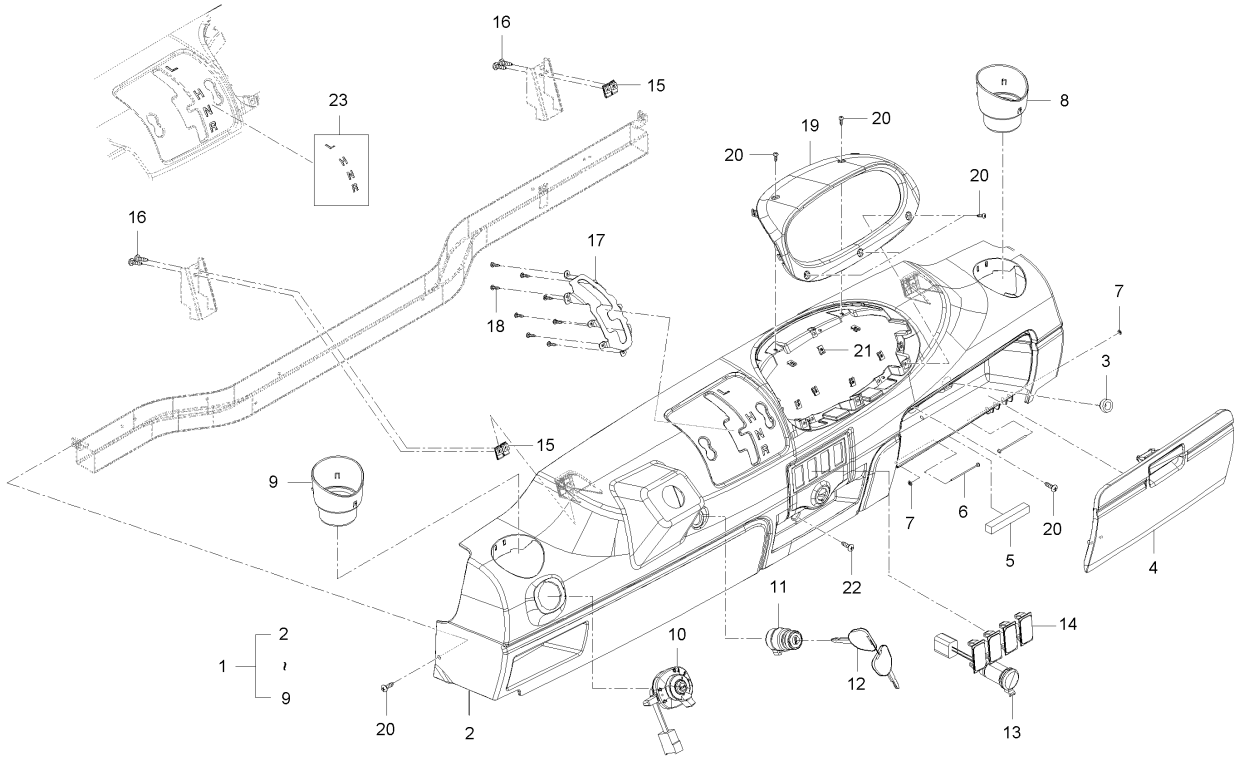
<-0-> Interchangeable with another part(s)

<---- New replace Old

<----> Interchangeable

U1-U0800A

IP GROUP(KIOTI)



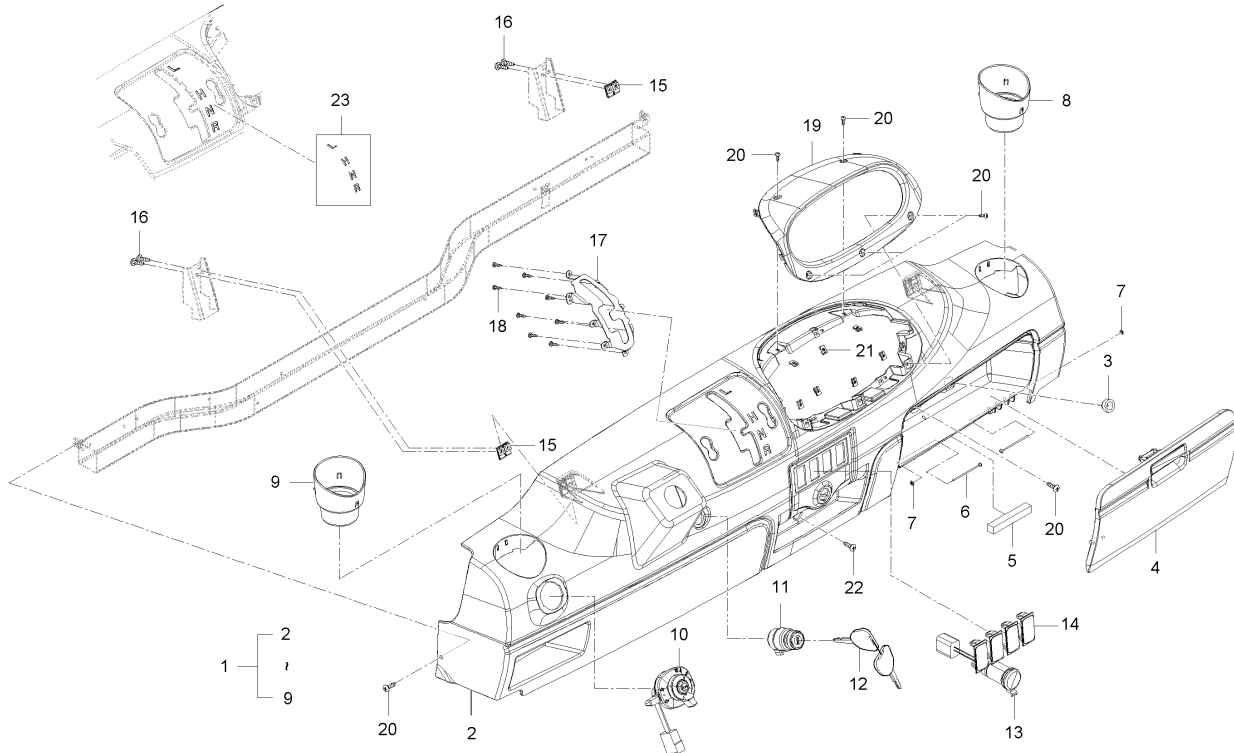
A : MEC2240SW-EU , B : MEC2240SA-EU , C : MEC2240ST-EU

No.	Part Number	Description	Q'TY					I.C	Remark
			A	B	C	D	E		
1	U3215-81005	IP Assy	1	1	1				
1	U3215-81006	IP Assy	1	1	1			<--->	
2	U3215-81102	MAIN INSTRUMENT PANEL	1	1	1				
2	U3215-81103	MAIN INSTRUMENT PANEL	1	1	1			<--->	
3	U3215-91521	GROMMET RUBBER MOUNT	1	1	1				
4	U3215-81303	GLOVE BOX COVER ASSY	1	1	1				
5	U3215-86161	STOPPER.SPONGE	1	1	1				
6	U3215-81361	PIN	2	2	2				
7	U3215-81371	STOPPER, HINGE PIN	2	2	2				
8	U3215-81402	CUP HOLDER.LH	1	1	1				
9	U3215-86182	CUP HOLDER.RH	1	1	1				
10	T2368-69024	ASSY COMBINATION SWITCH	1	1	1				
10	T2368-69025	ASSY COMBINATION SWITCH	1	1	1			<--->	
11	T5515-75172	ASSY SWITCH,STARTER	1	1	1			<--->	
11	T5520-75171	ASSY SWITCH,STARTER	1	1	1			<--->	
12	T4620-75191	KEY	1	1	1			<--->	
12	T5520-75191	KEY ASS'Y	1	1	1			<--->	
13	T4935-92502	SOKET	1	1	1				
14	T4025-68301	COVER	4	4	4				

----> Old replace New
 <-X-> Not interchangeable
 <-0-> Interchangeable with another part(s)
 <---> New replace Old
 <---> Interchangeable

U1-U0800A

IP GROUP(KIOTI)



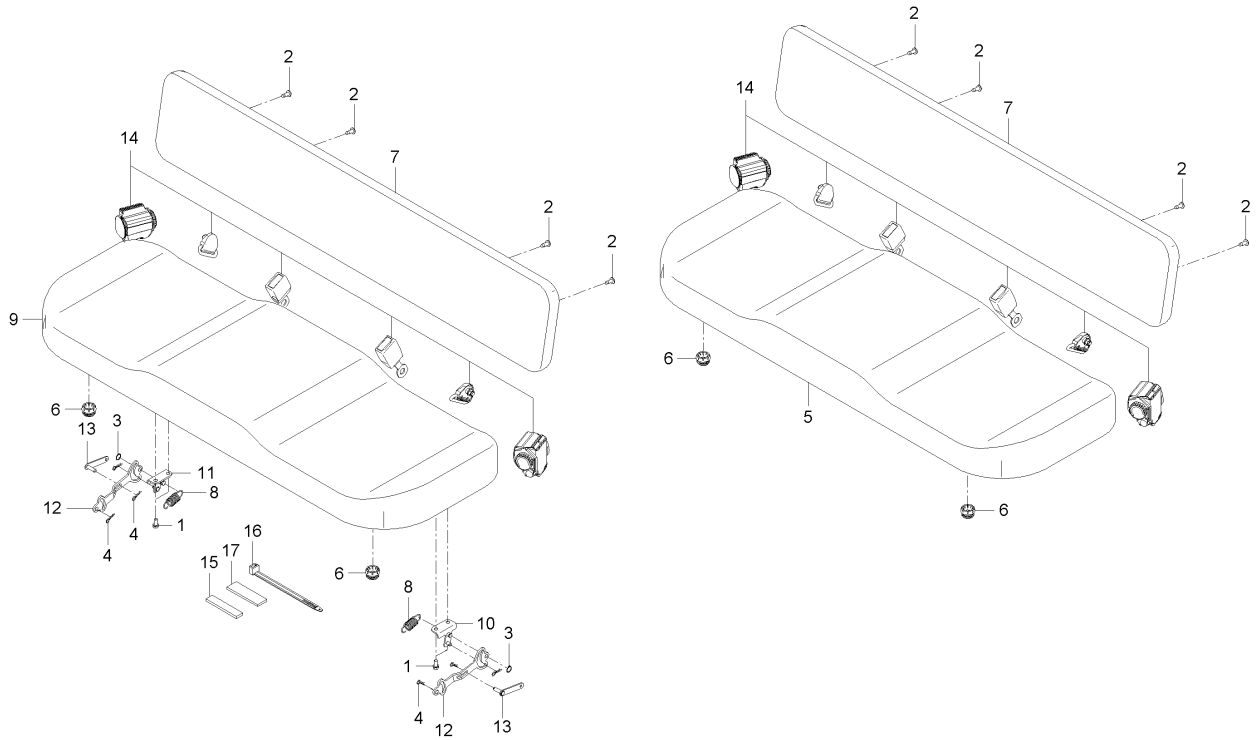
A : MEC2240SW-EU , B : MEC2240SA-EU , C : MEC2240ST-EU

No.	Part Number	Description	Q'TY					I.C	Remark
			A	B	C	D	E		
15	38245-2925-3	NUT,SPRING	4	4	4				
16	U3215-81552	Screw (Black)	8	8	8				
17	U3215-86141	BRKT, LEVER,GEAR SHIFT	1	1	1				
17	U3215-86142	BRKT, LEVER,GEAR SHIFT	1	1	1			<----	
18	U3215-96402	SCREW	8	8	8				
19	U3215-81601	METER CLUSTER BEZEL	1	1	1				
20	U3215-96502	Screw_Meter Cluster(Tapping, Black)	5	5	5				
21	U3215-96151	NUT, SPRING	8	8	8				
22	U3215-81552	Screw (Black)	1	1	1				
23	U3215-81151	LABEL	1	1	1				

----- Old replace New
 <-X-> Not interchangeable
 <-0-> Interchangeable with another part(s)
 <----- New replace Old
 <-> Interchangeable

U3350-G830A

SEAT GROUP



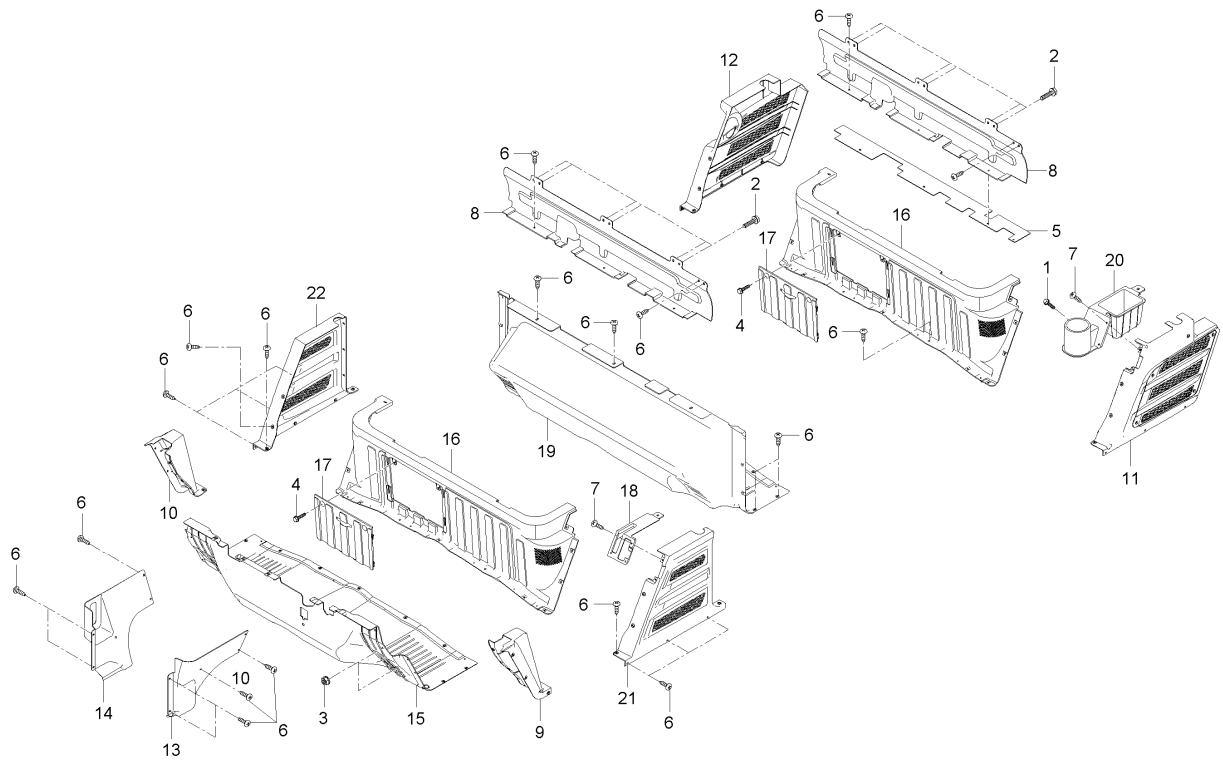
A : MEC2240SW-EU , B : MEC2240SA-EU , C : MEC2240ST-EU

No.	Part Number	Description	Q'TY					I.C	Remark
			A	B	C	D	E		
1	01123-50818	BOLT, WASHER	4	4	4			M8*P1.25	
2	01754-50816B	FLANGE BOLT	8	8	8				
3	04612-50080	RING, SNAP	2	2	2			DIA08	
4	05515-50600	PIN, SNAP	6	6	6				
5	U3215-83002	SEAT CUSHION ASSY	1	1	1				
6	U3215-83701	SEAT RUBBER MOUNT	4	4	4				
7	U3215-84002	SEAT BACK ASSY	2	2	2				
8	U3350-10011	SPRING	2	2	2				
9	U3350-83001	Seat Cushion Ass'y	1	1	1				
10	U3350-83201	BRACKET	1	1	1				
11	U3350-83251	BRACKET	1	1	1				
12	U3350-83311	BRACKET	2	2	2				
13	U3350-83331	BRACKET	2	2	2				
14	U3350-83701	BELT,SEAT ASSY	2	2	2				
15	C7130-61781	RUBBER	1	1	1				
16	T2198-82551	BAND,CORD	1	1	1				
17	T2380-50272	RUBBER, CUSHION	1	1	1				

----- Old replace New
 <-X-> Not interchangeable
 <-0-> Interchangeable with another part(s)
 ----- New replace Old
 ----- Interchangeable

U3350-G840A

MOLDING GROUP



A : MEC2240SW-EU , B : MEC2240SA-EU , C : MEC2240ST-EU

No.	Part Number	Description	Q'TY					I.C	Remark
			A	B	C	D	E		
1	01053-50620	BOLT	1	1	1			M6*P1.0	
2	01754-50816	BOLT, FLANGE	12	12	12			M8*P1.25	
3	02761-50060B	FLANGE NUT	6	6	6				
4	53415-4128-1	BOLT	4	4	4				
5	U3210-27662	SEAT BACK PLATE	1	1	1				
6	U3215-81552	Screw (Black)	79	79	79				
7	U3215-81561	SCREW	6	6	6				
8	U3215-83653	Cover - Seat Back, RR	2	2	2				
9	U3215-92101	FENDER FRONT LH	1	1	1				
10	U3215-92201	FENDER FRONT RH	1	1	1				
11	U3215-92352	FENDER	1	1	1				
12	U3215-92402	FENDER MIDDLE OUTER RH	1	1	1				
12	U3215-92403	FEDER MIDDLE OUTER RH	1	1	1			<----	
13	U3215-92701	PANEL WHEEL WELL LH	1	1	1				
14	U3215-92801	PANEL WHEEL WELL RH	1	1	1				
15	U3215-93001	MAIN FLOOR ASSY FR	1	1	1				
16	U3215-93051	MAIN FLOOR ASSY RR	2	2	2				
17	U3215-93402	OIL CHECK COVER ASS'Y	2	2	2				
18	U3215-93511	COVAR, PARKING LEVER	1	1	1				

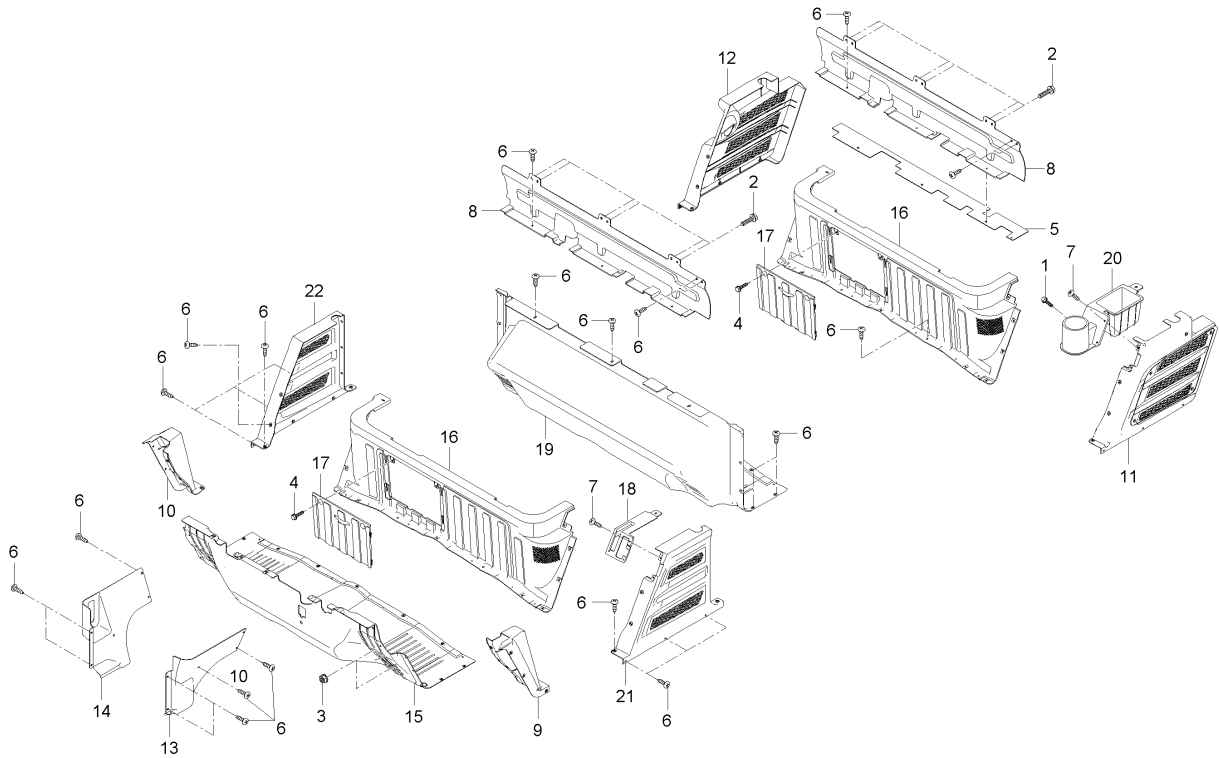
----> Old replace New

<-X-> Not interchangeable

<-0-> Interchangeable with another part(s)

<---- New replace Old

<----> Interchangeable

U3350-G840A**MOLDING GROUP****A : MEC2240SW-EU , B : MEC2240SA-EU , C : MEC2240ST-EU**

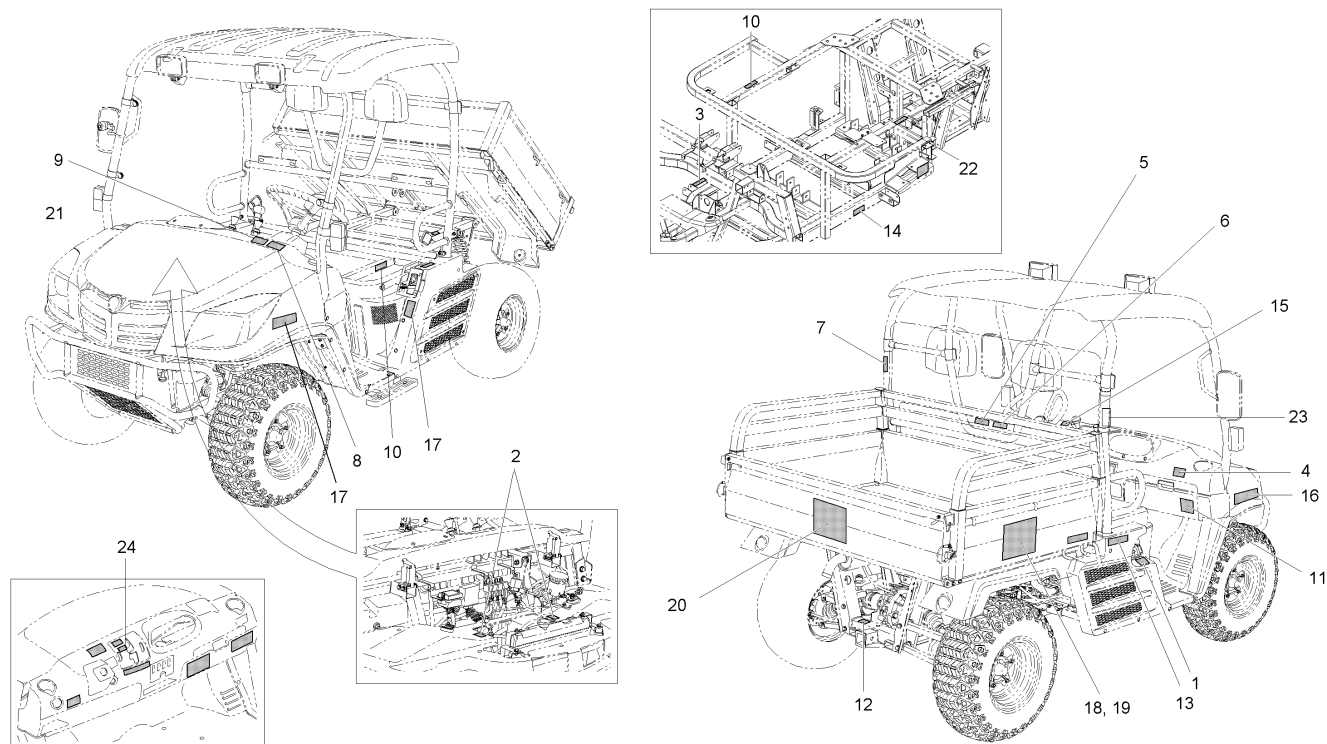
No.	Part Number	Description	Q'TY					I.C	Remark
			A	B	C	D	E		
19	U3350-84101	FLOOR PANEL	1	1	1				
20	U3350-84201	Parking Lever Cover	1	1	1				
21	U3350-84301	FENDER	1	1	1				
22	U3350-84401	FENDER	1	1	1				

----- Old replace New
 <-X-> Not interchangeable
 <-0-> Interchangeable with another part(s)

<---- New replace Old
 <---- Interchangeable

U1-U0857A

Label Group(MEC2200-SW-EU)



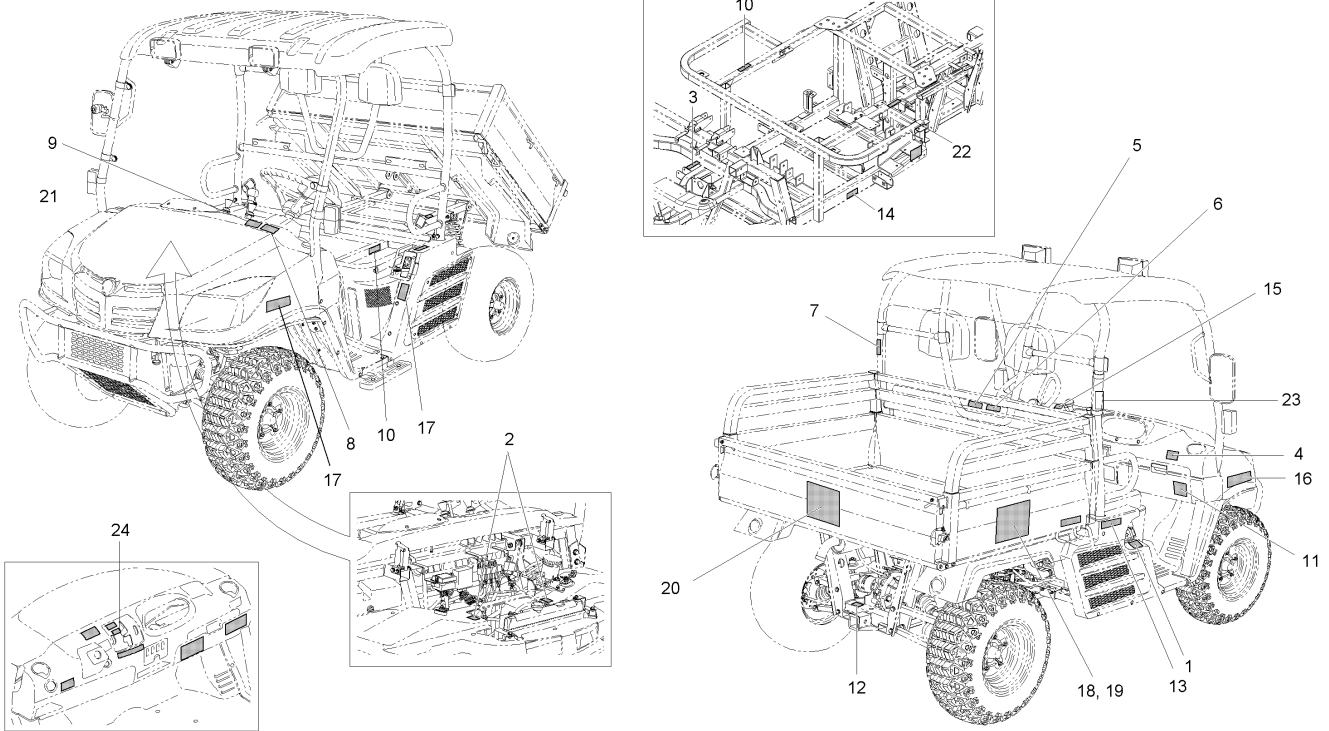
A : MEC2240SW-EU , B : MEC2240SA-EU , C : MEC2240ST-EU

No.	Part Number	Description	Q'TY					I.C	Remark
			A	B	C	D	E		
1	T2615-54112	LABEL, CAUTION	1	1	1				
2	T4625-52351	LABEL, FAN WARNING	2	2	2				
3	T4625-52361	LABEL, MUFFLER	2	2	2				
4	U3215-85011	LABEL, SEAT BELT	2	2	2				
5	U3215-85021	LABEL, DECK MACHINE RUNAWAY	1	1	1				
6	U3215-85032	LABEL, DECK BED	1	1	1				
7	U3215-85041	LABEL, ROPS	1	1	1				
8	U3215-85051	LABEL, HOOD	1	1	1				
9	U3215-85061	LABEL, MISSION	1	1	1				
10	U3215-85071	LABEL, SAFETY	2	2	2				
11	U3215-85081	LABEL, SAFE OPERATION	1	1	1				
12	U3215-85091	LABEL, REAR HITCH	1	1	1				
13	U3215-85101	LABEL, LATCH	2	2	2				
14	U3215-85121	LABEL, BATTERY CABLE	1	1	1				
15	U3215-85361	LABEL, KEY SWITCH	1	1	1				
16	U3215-85381	DECAL(HOOD RH)	1	1	1				
17	U3215-85391	DECAL(HOOD LH)	1	1	1				
18	U3215-85401	DECAL(DECK LH)	1	1	1				
19	U3215-85411	DECAL(DECK RH)	1	1	1				

----> Old replace New
 <-X-> Not interchangeable
 <-0-> Interchangeable with another part(s)
 <---- New replace Old
 <---- Interchangeable

U1-U0857A

Label Group(MEC2200-SW-EU)



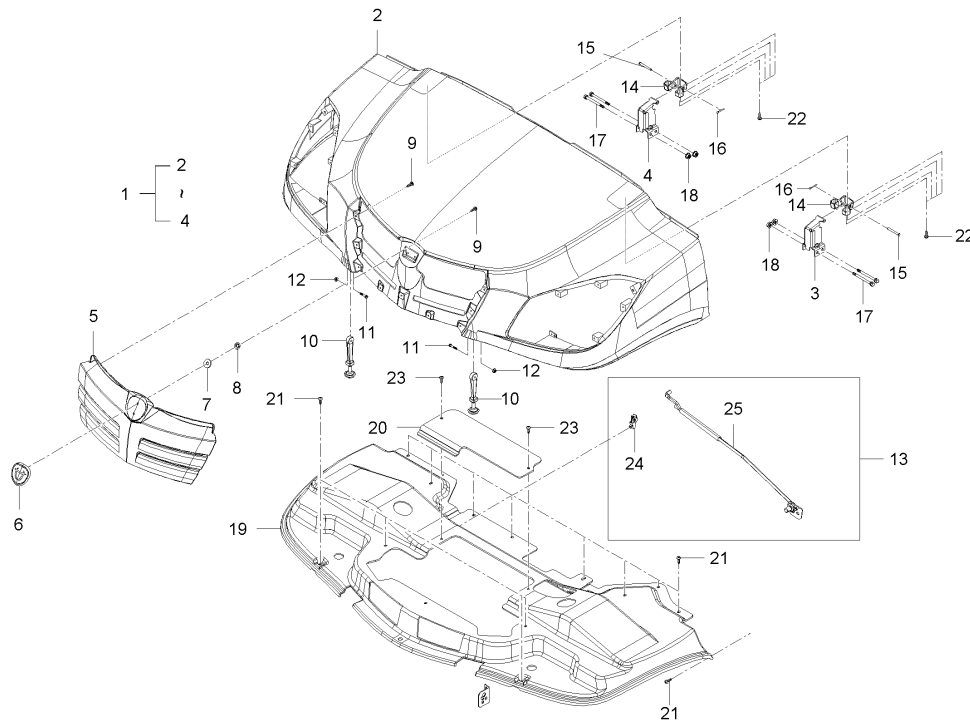
A : MEC2240SW-EU , B : MEC2240SA-EU , C : MEC2240ST-EU

No.	Part Number	Description	Q'TY					I.C	Remark
			A	B	C	D	E		
20	U3215-85421	DECAL(DECK RR)	1	1	1				
21	U3215-85132	LABEL	1	1	1				
22	U3215-85541	LABEL, PRODUCT(AU)	1	1	1				
23	U3215-85161	LABEL, ROPS NOTICE(ENG)	1	1	1				
24	U3215-85862	LABEL	1	1	1				

----> Old replace New
 <-X-> Not interchangeable
 <-0-> Interchangeable with another part(s)
 <----> New replace Old
 <----> Interchangeable

U1-U0910A

HOOD GROUP



A : MEC2240SW-EU , B : MEC2240SA-EU , C : MEC2240ST-EU

No.	Part Number	Description	Q'TY					I.C	Remark
			A	B	C	D	E		
1	U3215-91003	Hood Assy(ORANGE)	1	1	1				
2	U3215-91102	HOOD	1	1	1				
3	U3215-91202	Hood Hinge LH Assy	1	1	1				
4	U3215-91902	Hood Hinge RH Assy	1	1	1				
5	U3215-91401	GRILL ASSY	1	1	1				
6	T2185-51462	EMBLEM	1	1	1				
7	82KC-0641	PLATE,RUBBER	2	2	2				
8	T4620-50701	MOUNTING PLATE	2	2	2				
9	38240-1883-1	SCREW	11	11	11				
10	U3215-91301	STRAP,HOOD LATCH	2	2	2				
11	01754-50625	BOLT, FLANGE	2	2	2			7T	
12	02761-50060	FLANGE NUT	2	2	2			M6XP1.0	
13	U3215-96361	ASSY SUPPORT	1	1	1				
14	U3215-91852	HOOD HINGE BRKT	2	2	2				
15	05122-50650	JOINT PIN	2	2	2				
16	05511-50210	PIN, SPLIT	2	2	2				
17	01125-50870	BOLT	4	4	4				
18	02763-50080	FLANGE NUT	4	4	4			M8XP1.25	
19	U3215-91512	HOOD LINER	1	1	1				

----> Old replace New

<-X-> Not interchangeable

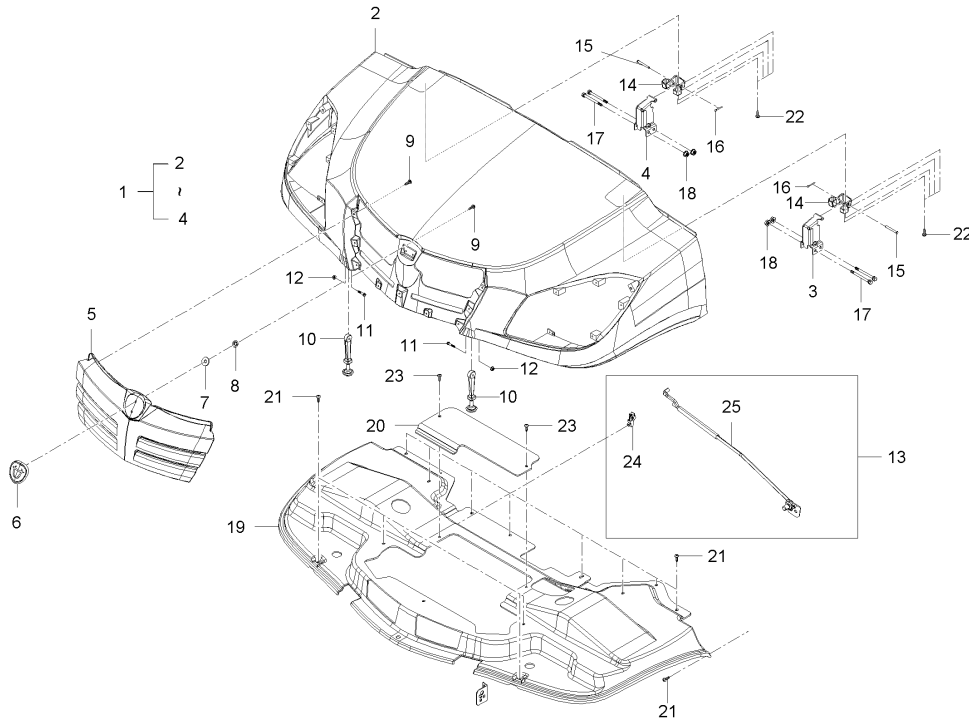
<-0-> Interchangeable with another part(s)

<---- New replace Old

<----> Interchangeable

U1-U0910A

HOOD GROUP



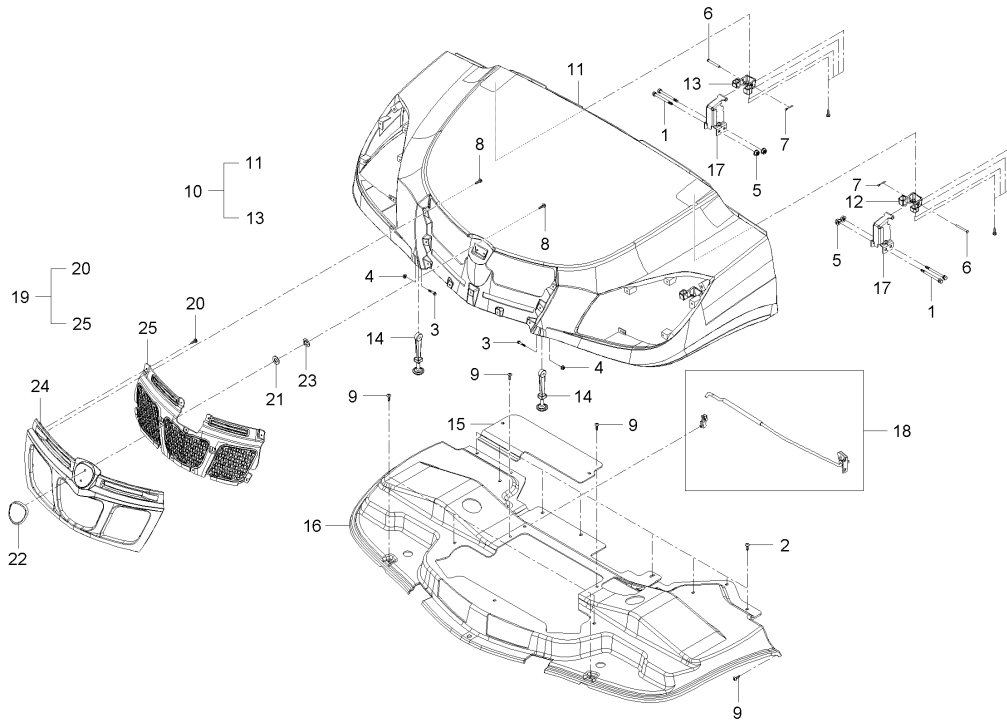
A : MEC2240SW-EU , B : MEC2240SA-EU , C : MEC2240ST-EU

No.	Part Number	Description	Q'TY					I.C	Remark
			A	B	C	D	E		
19	U3215-91513	HOOD LINER	1	1	1			<----	
20	U3215-91351	COVER, HOOD LINER	1	1	1				
20	U3215-91352	Cover-Hood liner	1	1	1			<----	
21	U3215-81552	Screw (Black)	7	7	7				
22	01754-50616B	FLANGE BOLT	6	6	6				
23	U3215-81552	Screw (Black)	5	5	5				
24	U3215-91371	GRIP	1	1	1				
25	U3215-91381	ROD	1	1	1				

----> Old replace New
 <-X-> Not interchangeable
 <-0-> Interchangeable with another part(s)
 <----> New replace Old
 <----> Interchangeable

U3450-G920A

HOOD GROUP



A : MEC2240SW-EU , B : MEC2240SA-EU , C : MEC2240ST-EU

No.	Part Number	Description	Q'TY					I.C	Remark
			A	B	C	D	E		
1	01125-50870	BOLT	4	4	4				
2	01754-50616B	FLANGE BOLT	6	6	6				
3	01754-50625	BOLT, FLANGE	2	2	2			7T	
4	02761-50060	FLANGE NUT	2	2	2			M6XP1.0	
5	02763-50080	FLANGE NUT	4	4	4			M8XP1.25	
6	05122-50650	JOINT PIN	2	2	2				
7	05511-50210	PIN, SPLIT	2	2	2				
8	38240-1883-1	SCREW	10	10	10				
9	U3215-81552	Screw (Black)	12	12	12				
10	U3215-91003	Hood Assy(ORANGE)	1	1	1				
11	U3215-91102	HOOD	1	1	1				
12	U3215-91202	Hood Hinge LH Assy	1	1	1				
13	U3215-91902	Hood Hinge RH Assy	1	1	1				
14	U3215-91301	STRAP,HOOD LATCH	2	2	2				
15	U3215-91351	COVER, HOOD LINER	1	1	1				
15	U3215-91352	Cover-Hood liner	1	1	1			<----	
16	U3215-91512	HOOD LINER	1	1	1				
16	U3215-91513	HOOD LINER	1	1	1			<----	
17	U3215-91852	HOOD HINGE BRKT	2	2	2				

----> Old replace New

<-X-> Not interchangeable

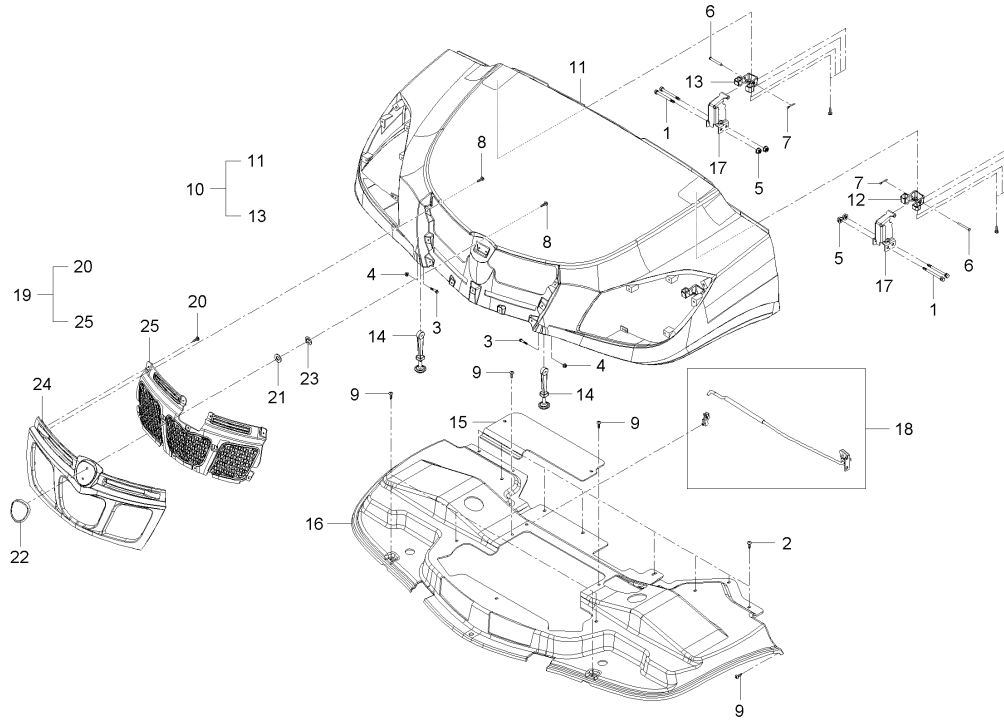
<-0-> Interchangeable with another part(s)

<---- New replace Old

<----> Interchangeable

U3450-G920A

HOOD GROUP



A : MEC2240SW-EU , B : MEC2240SA-EU , C : MEC2240ST-EU

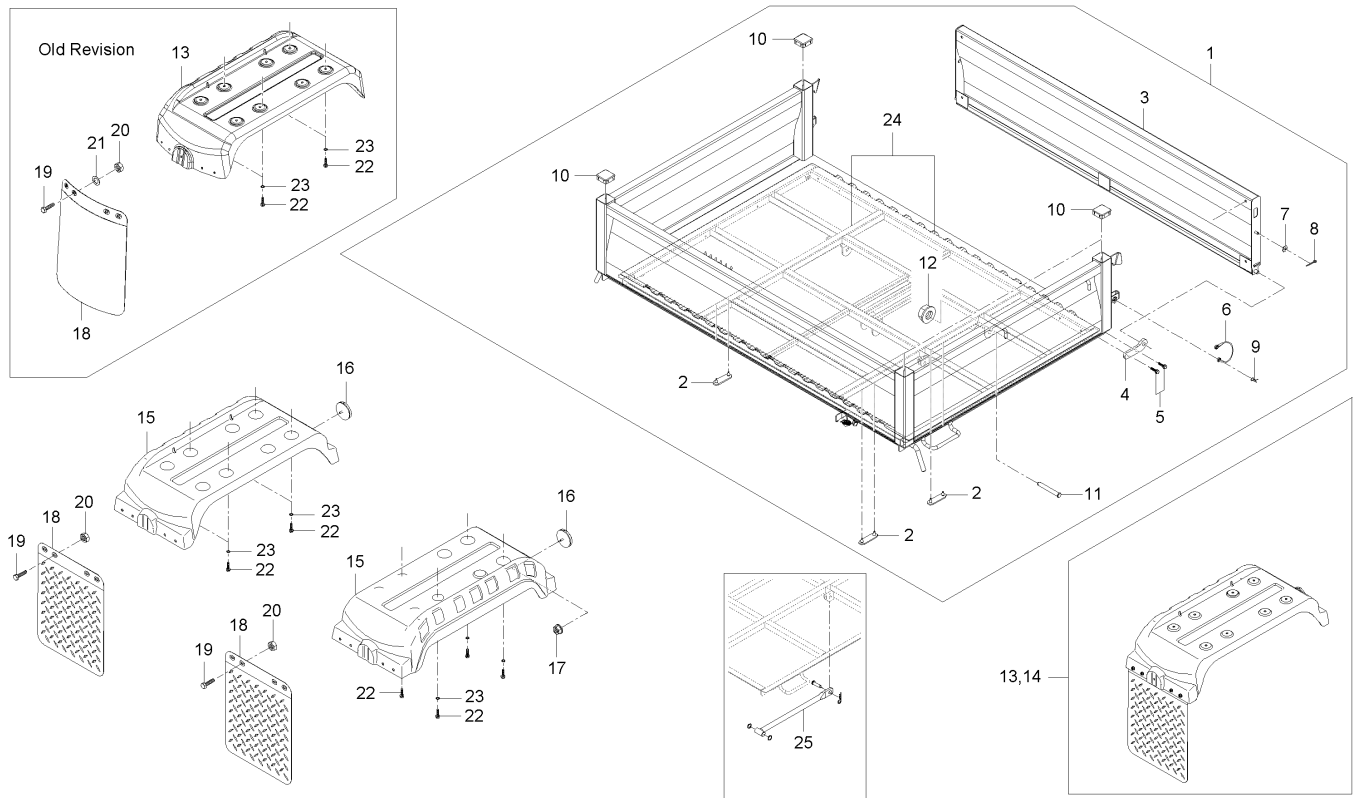
No.	Part Number	Description	Q'TY					I.C	Remark
			A	B	C	D	E		
18	U3215-96361	ASSY SUPPORT	1	1	1				
19	U3450-92031	GRILL ASSY	1	1	1				
20	38240-1883-1	SCREW	11	11	11				
21	82KC-0641	PLATE,RUBBER	2	2	2				
22	T2185-51462	EMBLEM	1	1	1				
23	T4620-50701	MOUNTING PLATE	2	2	2				
24	U3400-92111	GRILL	1	1	1				
25	U3400-92131	MESH, GRILL	1	1	1				

----> Old replace New
 <-X-> Not interchangeable
 <-0-> Interchangeable with another part(s)

<---- New replace Old
 <----> Interchangeable

U1-U0922A

Deck Group(STD-BLACK)



A : MEC2240SW-EU , B : MEC2240SA-EU , C : MEC2240ST-EU

No.	Part Number	Description	Q'TY					I.C	Remark
			A	B	C	D	E		
1	U3219-9800B	Deck Assy(BLACK)	1	1	1				
1	U3219-9800D	Deck Assy(BLACK)	1	1	1			<----	
2	U3210-99251	Deck Under Bumper	4	4	4				
3	U3219-99304	Tailgate Assy(BLACK)	1	1	1				
4	U3219-99721	BRACKET	2	2	2				
5	01123-50825	BOLT, WASHER	4	4	4				M8*P1.25
6	U3210-99733	STOP ROPE	2	2	2				
6	U3210-99734	STOP ROPE	2	2	2			<----	
7	U3210-99751	REAMER BOLT WASHER	2	2	2				
8	05511-50218	PIN, SPLIT	2	2	2				DIA2*18
9	05525-50800	PIN, SNAP	2	2	2				
10	U3210-99793	DECK POLE COVER	4	4	4				
11	U3210-99831	REAMER BOLT, FLANGE	2	2	2				
12	U3210-99851	U-NUT	2	2	2				
13	U3210-99904	Fender Rear Assy(RH)	1	1	1				
13	U3210-99906	Fender Rear Assy(RH)	1	1	1			<----	
14	U3210-99974	Fender Rear Assy(LH)	1	1	1				
14	U3210-99976	Fender Rear Assy(LH)	1	1	1			<----	
15	U3210-99913	Fender Rear	1	1	1				

----> Old replace New

<-X-> Not interchangeable

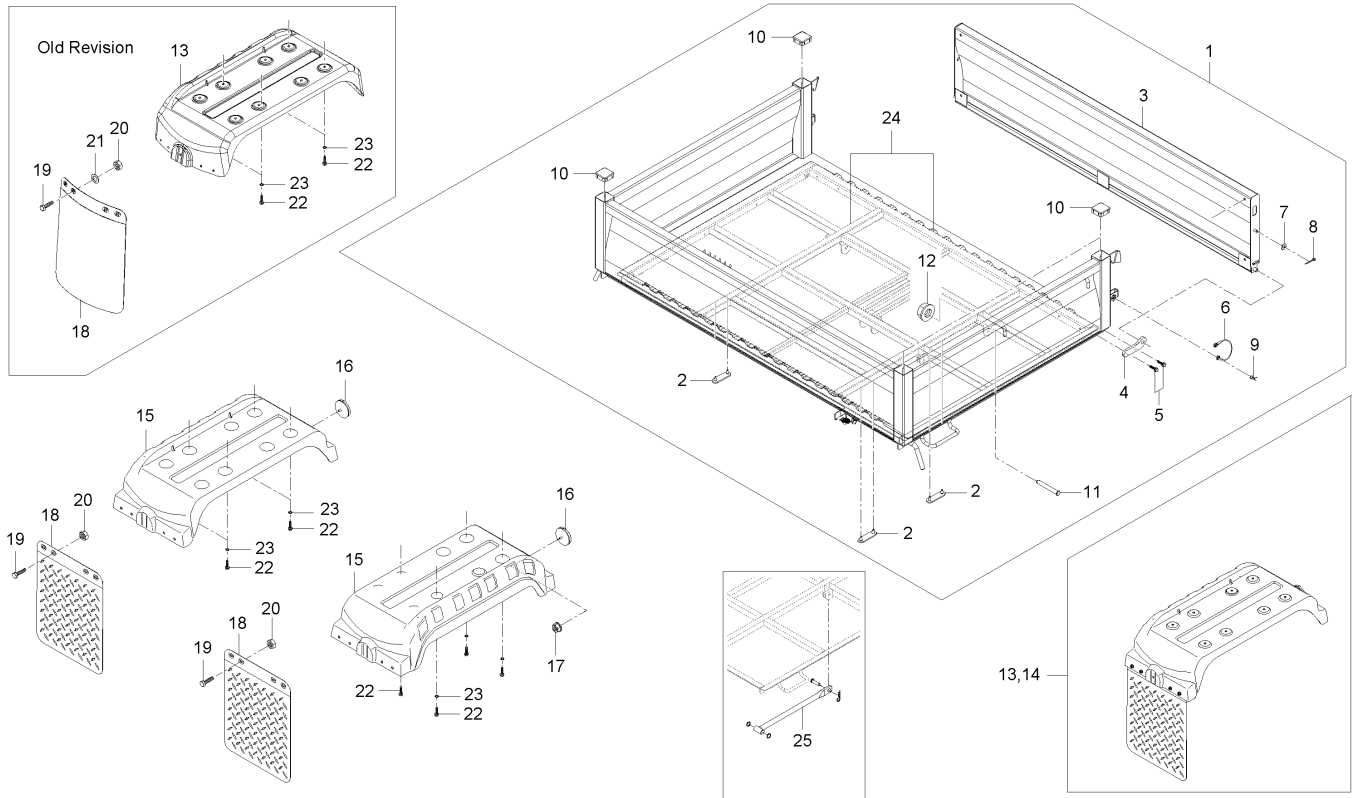
<-0-> Interchangeable with another part(s)

<---- New replace Old

<----> Interchangeable

U1-U0922A

Deck Group(STD-BLACK)



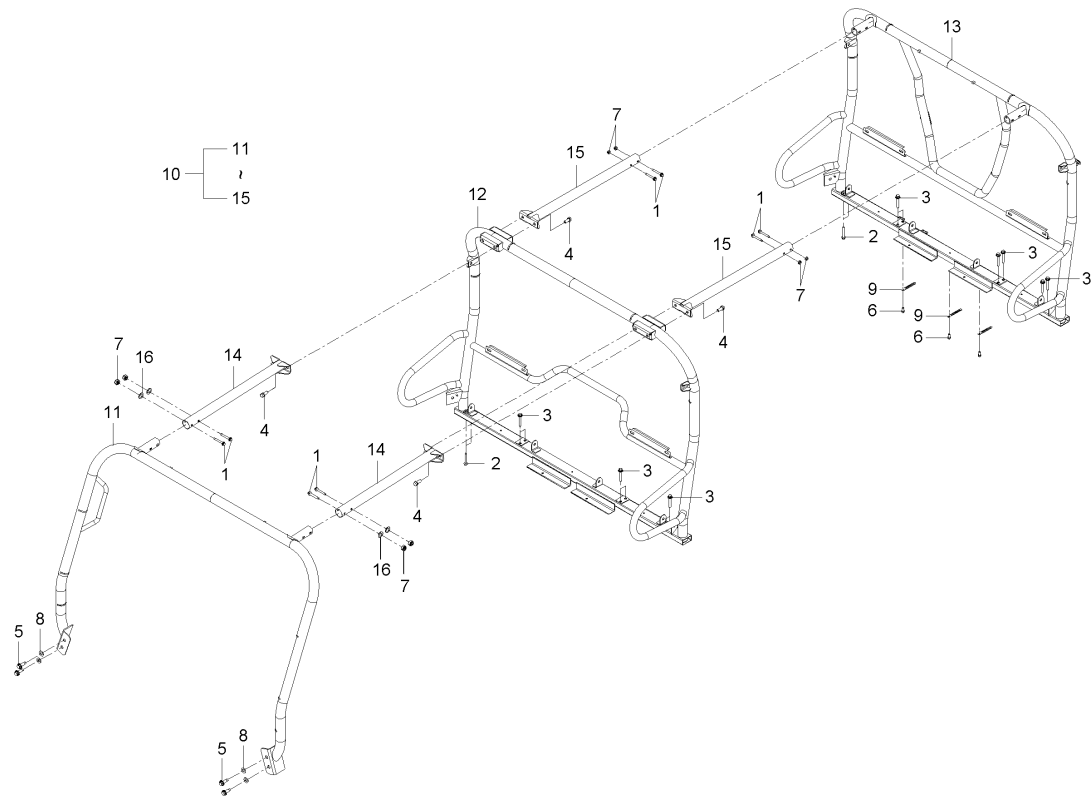
A : MEC2240SW-EU , B : MEC2240SA-EU , C : MEC2240ST-EU

No.	Part Number	Description	Q'TY					I.C	Remark
			A	B	C	D	E		
16	T4144-85721	ASS'Y REFLECTOR	1	1	1				
17	02761-50050	FLANGE NUT	1	1	1			M5XPO.8	
18	U3210-99952	MUD GUARD	1	1	1				
18	U3210-99953	FENDER	1	1	1			<----	
19	01754-50616B	FLANGE BOLT	4	4	4				
20	02761-50060B	FLANGE NUT	4	4	4				
21	04013-50060B	WASHER	2	2	2				
22	01754-50616B	FLANGE BOLT	8	8	8				
23	04811-00120	O RING	2	2	2				
24	U3210-98452	PANEL	1	1	1				
25	U3219-98802	Deck Stay Rod Assy(BLACK)	1	1	1				

<----> Old replace New
 <-X-> Not interchangeable
 <-0-> Interchangeable with another part(s)
 <----> New replace Old
 <----> Interchangeable

U3350-G950A

ROPS



A : MEC2240SW-EU , B : MEC2240SA-EU , C : MEC2240ST-EU

No.	Part Number	Description	Q'TY					I.C	Remark
			A	B	C	D	E		
1	01125-50855B	BOLT	8	8	8				
1	01125-50860B	BOLT	8	8	8			<----	
2	01125-50860B	BOLT	4	4	4				
3	01125-51060B	BOLT	12	12	12				
4	01133-51230B	BOLT	8	8	8				
5	01135-51230B	BOLT	4	4	4				
6	01754-50610	FLANGE BOLT	3	3	3				M6XP1.0
7	02763-50080B	FLANGE NUT	8	8	8				
7	U3215-96251	U-NUT	8	8	8			<----	
8	04013-50120B	WASHER	4	4	4				
9	34150-2939-1	CLAMP, WIRE	3	3	3				
10	U3350-95002	ROPS ASSY	1	1	1				
11	U3210-36514	FRAME FRONT ASSY	1	1	1				
12	U3350-95302	ROPS	1	1	1				
13	U3350-95502	ROPS	1	1	1				
14	U3350-95902	FRAME	2	2	2				
15	U3350-95952	FRAME CONN-RR, ASS'Y	2	2	2				
16	04013-50080B	WASHER	8	8	8				

----> Old replace New

<-X-> Not interchangeable

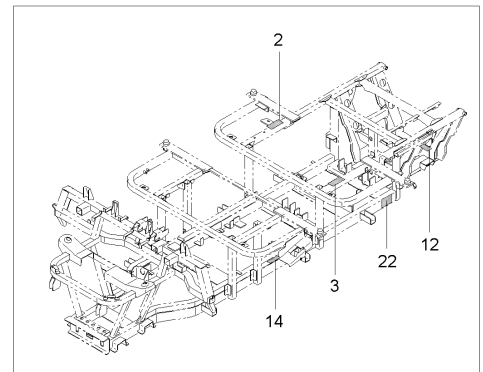
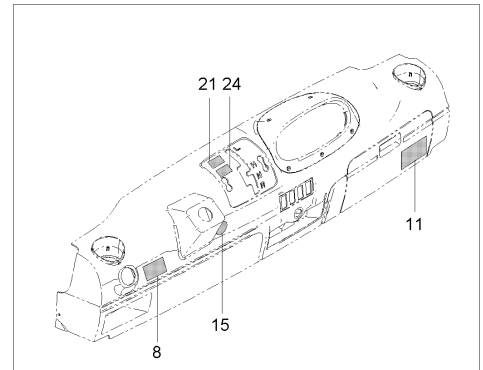
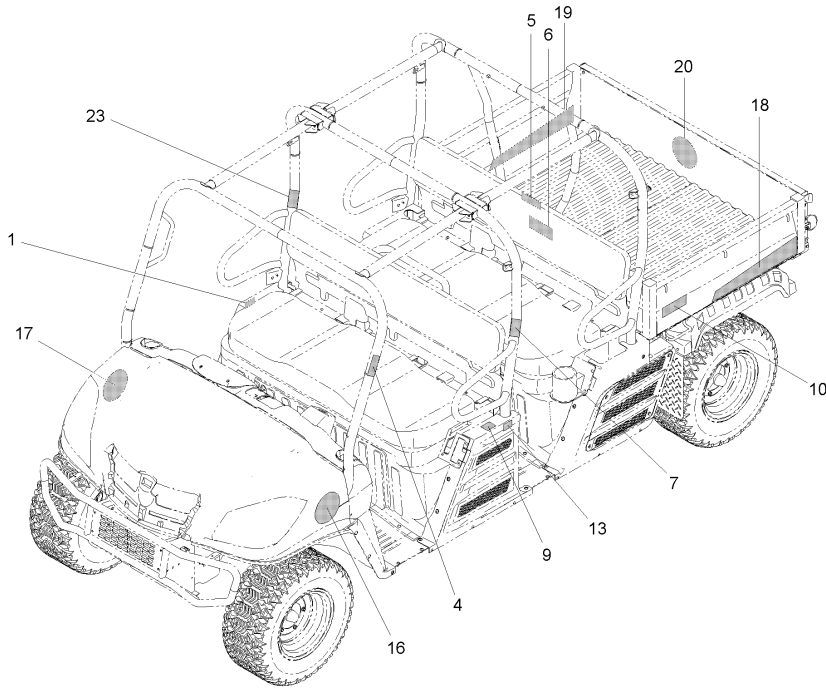
<-0-> Interchangeable with another part(s)

<---- New replace Old

<----> Interchangeable

U3330-G980A

Label Group



A : MEC2240SW-EU , B : MEC2240SA-EU , C : MEC2240ST-EU

No.	Part Number	Description	Q'TY					I.C	Remark
			A	B	C	D	E		
1	T2615-54112	LABEL, CAUTION	1	1	1				
2	T4625-52351	LABEL, FAN WARNING	2	2	2				
3	T4625-52361	LABEL, MUFFLER	2	2	2				
4	U3215-85011	LABEL, SEAT BELT	2	2	2				
5	U3215-85021	LABEL, DECK MACHINE RUNAWAY	1	1	1				
6	U3215-85032	LABEL, DECK BED	1	1	1				
7	U3215-85041	LABEL, ROPS	1	1	1				
8	U3215-85051	LABEL, HOOD	1	1	1				
9	U3215-85061	LABEL, MISSION	1	1	1				
10	U3215-85071	LABEL, SAFETY	2	2	2				
11	U3215-85081	LABEL, SAFE OPERATION	1	1	1				
12	U3215-85091	LABEL, REAR HITCH	1	1	1				
13	U3215-85101	LABEL, LATCH	2	2	2				
14	U3215-85121	LABEL, BATTERY CABLE	1	1	1				
15	U3215-85501	LABEL, KEY SWITCH	1	1	1				
16	U3350-98031	DECAL, HOOD LH	1	1	1				
17	U3350-98051	DECAL, HOOD RH	1	1	1				
18	U3410-98052	DECAL, DECK SIDE WALL (LH)	1	1	1				
19	U3410-98062	DECAL, DECK SIDE WALL (RH)	1	1	1				

----> Old replace New

<-X-> Not interchangeable

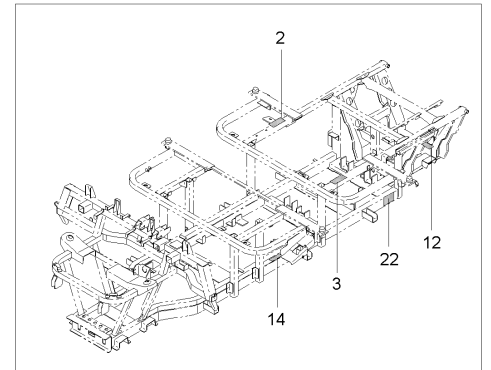
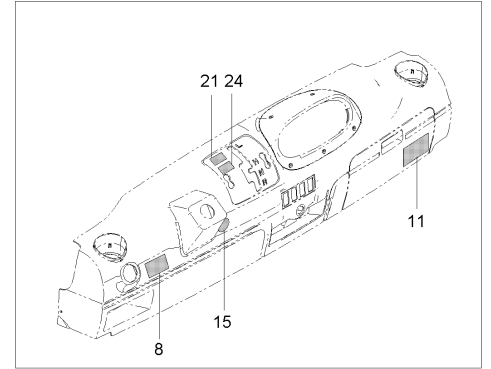
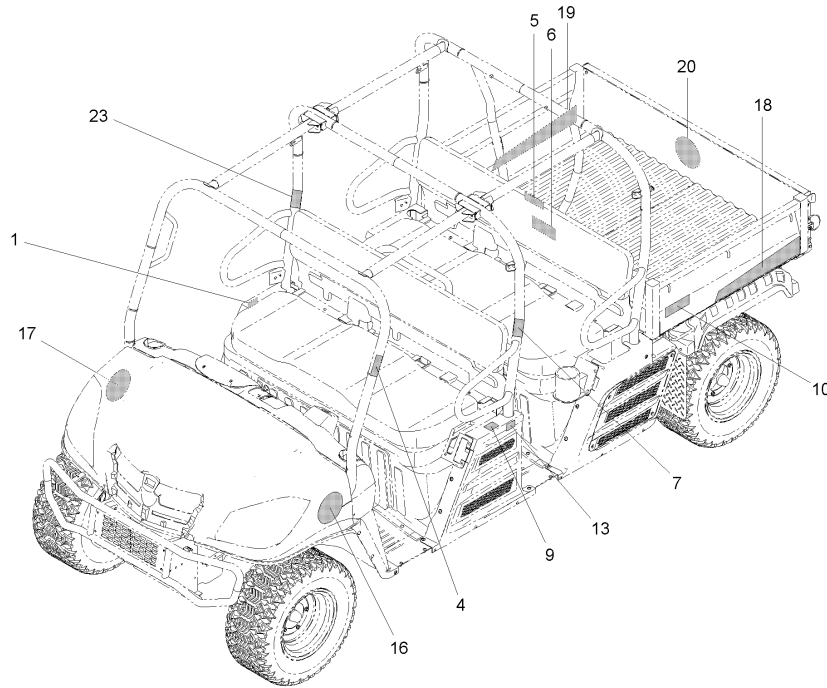
<-0-> Interchangeable with another part(s)

<---- New replace Old

<----> Interchangeable

U3330-G980A

Label Group



A : MEC2240SW-EU , B : MEC2240SA-EU , C : MEC2240ST-EU

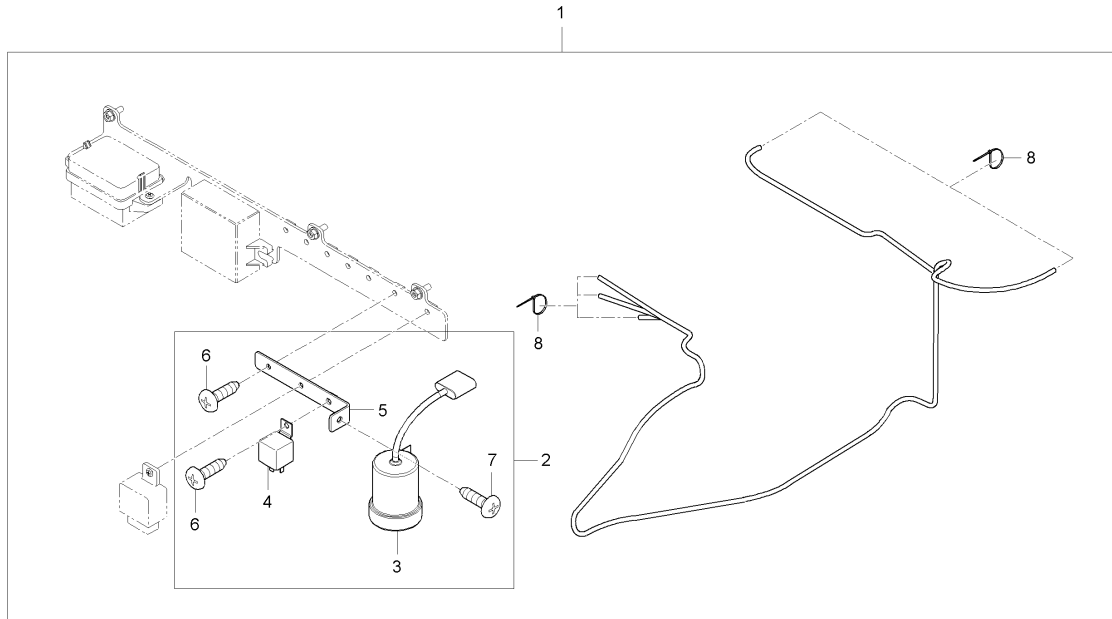
No.	Part Number	Description	Q'TY					I.C	Remark
			A	B	C	D	E		
20	U3215-85421	DECAL(DECK RR)	1	1	1				
21	U3215-85132	LABEL	1	1	1				
22	U3380-98011	NAME PLATE	1	1	1				
23	U3215-85162	LABEL, ROPS NOTICE(ENG)	1	1	1				
24	U3215-85861	LABEL	1	1	1				
24	U3215-85862	LABEL	1	1	1			<----	

----> Old replace New
 <-X-> Not interchangeable
 <-0-> Interchangeable with another part(s)

 <---- New replace Old
 <----> Interchangeable

U1-U1670A

PARKING LOCK BUZZER GROUP



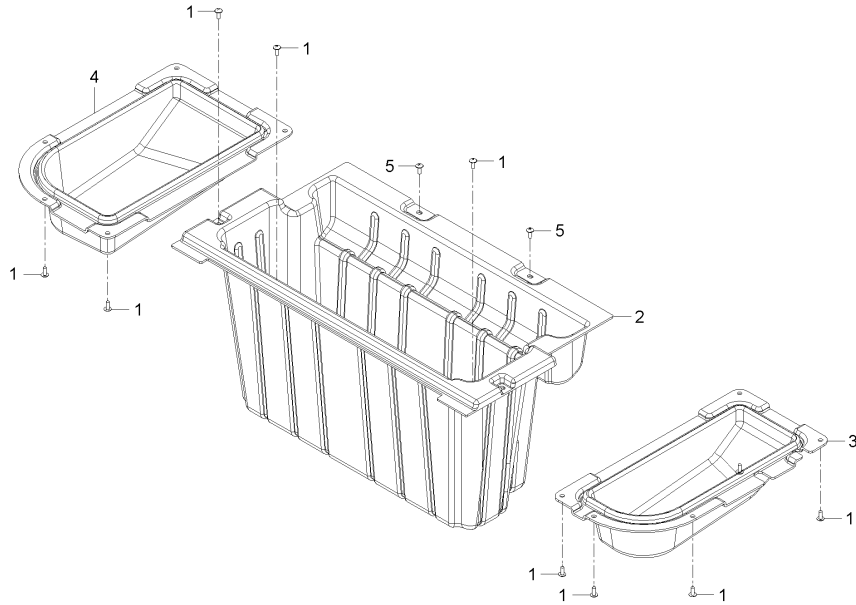
A : MEC2240SW-EU , B : MEC2240SA-EU , C : MEC2240ST-EU

No.	Part Number	Description	Q'TY					I.C	Remark
			A	B	C	D	E		
1	U3210-69142	PARKING BUZZER ASSY	1	1	1				
2	U3215-69151	ASS'Y WIRE HARNESS BUZZER	1	1	1				
3	U3210-47211	BUZZER	1	1	1				
4	T4180-69961	RELAY(5P)	1	1	1				
4	T5535-69961	RELAY(5P)	1	1	1			<---->	
5	U3210-69161	PARKING BUZZER BRKT ASSY	1	1	1				
6	U3215-81552	Screw (Black)	2	2	2				
7	03054-50516B	BOLT	1	1	1				
8	T2185-82561	BAND,CORD	5	5	5				

<----> Old replace New
 <-X-> Not interchangeable
 <-0-> Interchangeable with another part(s)
 <----> New replace Old
 <----> Interchangeable

U3300-GA20A

STORAGE GROUP



A : MEC2240SW-EU , B : MEC2240SA-EU , C : MEC2240ST-EU

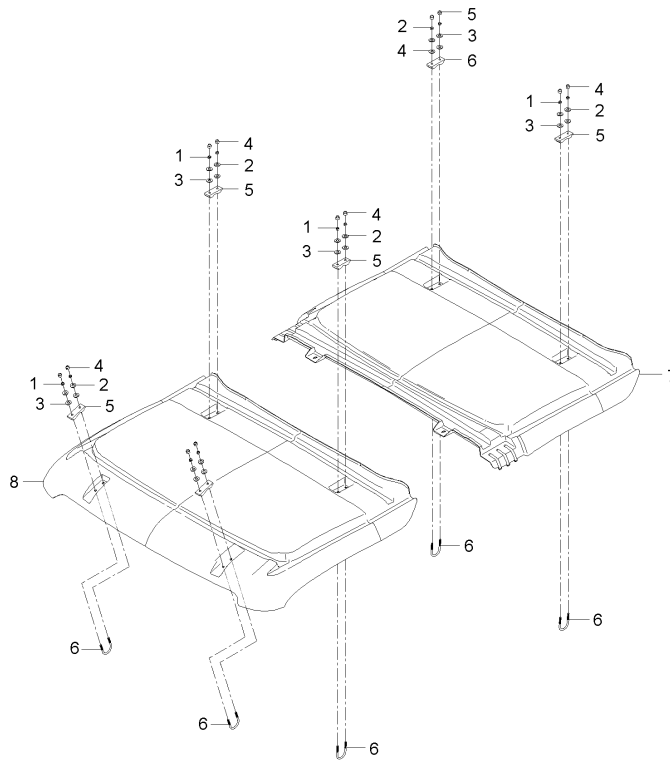
No.	Part Number	Description	Q'TY					I.C	Remark
			A	B	C	D	E		
1	U3215-81552	Screw (Black)	14	14	14				
2	U3300-A2011	STORAGE	1	1	1				
3	U3300-A2031	STORAGE	1	1	1				
4	U3300-A2051	STORAGE	1	1	1				
5	U3215-97161	SCREW	2	2	2				

----> Old replace New
 <-X-> Not interchangeable
 <-0-> Interchangeable with another part(s)

 <---- New replace Old
 <----> Interchangeable

U3305-GA10A

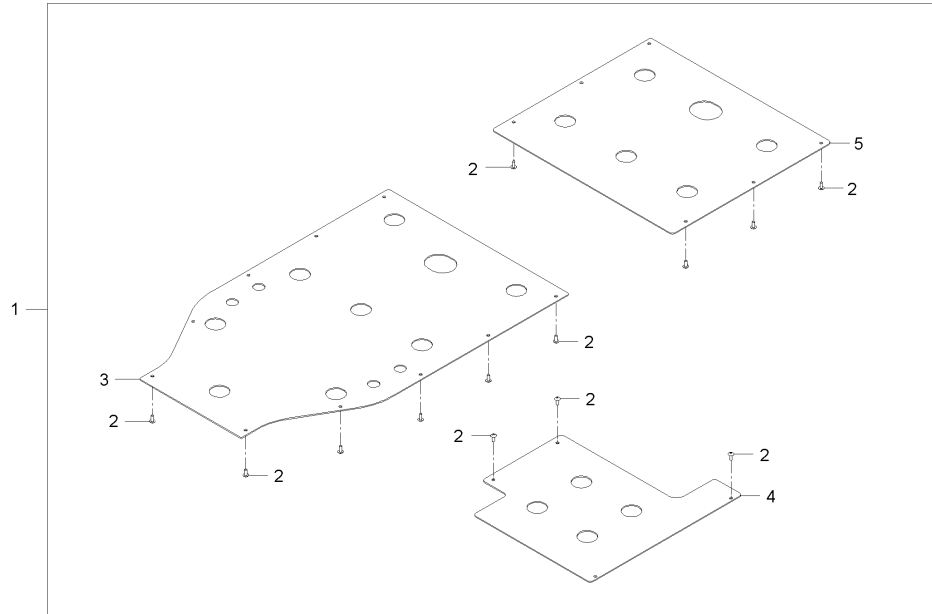
CANOPY GROUP



A : MEC2240SW-EU , B : MEC2240SA-EU , C : MEC2240ST-EU

No.	Part Number	Description	Q'TY					I.C	Remark
			A	B	C	D	E		
1	02056-50080B	NUT	12	12	12				
2	04015-50080B	WASHER	12	12	12				
3	T4520-87402	PACKING, 1	12	12	12				
4	T4815-93211	NUT	12	12	12				
5	U3215-97721	CANOPY BUMPER	6	6	6				
6	U3215-97793	Bolt - U Type (M8)	6	6	6				
6	U3215-97794	Bolt - U Type (M8)	4	4	4			<----	
7	U3300-A1012	CANOPY	1	1	1				
8	U3300-A1032	CANOPY	1	1	1				

----- Old replace New
 <-X-> Not interchangeable
 <-0-> Interchangeable with another part(s)
 <----> New replace Old
 <----> Interchangeable



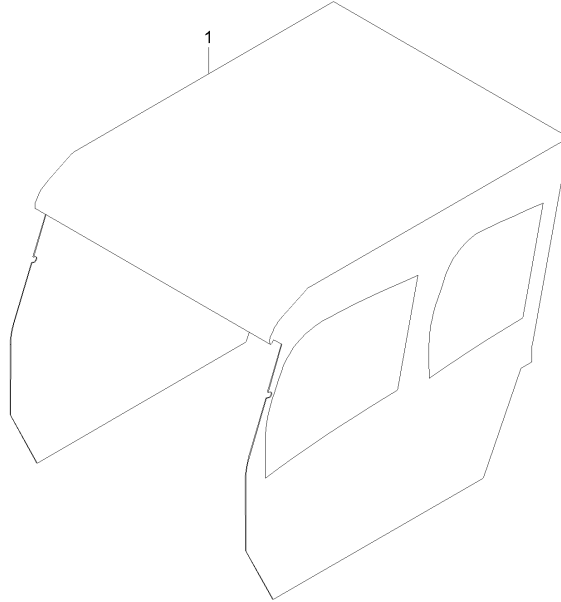
A : MEC2240SW-EU , B : MEC2240SA-EU , C : MEC2240ST-EU

No.	Part Number	Description	Q'TY					I.C	Remark
			A	B	C	D	E		
1	U3305-A3002	ASS'Y PLATE SKID(LH)	1	1	1				
1	U3305-A3003	ASS'Y PLATE SKID(LH)	1	1	1			<----	
2	U3215-81552	Screw (Black)	20	20	20				
3	U3215-92901	SKID PLATE	1	1	1				
4	U3215-93101	FLOOR REAR LH	1	1	1				
5	U3300-A3012	REAR FLOOR-SKID PLATE	1	1	1				
5	U3300-A3013	REAR FLOOR-SKID PLATE	1	1	1			<----	

----> Old replace New
 <-X-> Not interchangeable
 <-0-> Interchangeable with another part(s)
 <---- New replace Old
 <----> Interchangeable

U3305-GA41A

SOFT CABIN(KIOTI-BLACK)



A : MEC2240SW-EU , B : MEC2240SA-EU , C : MEC2240ST-EU

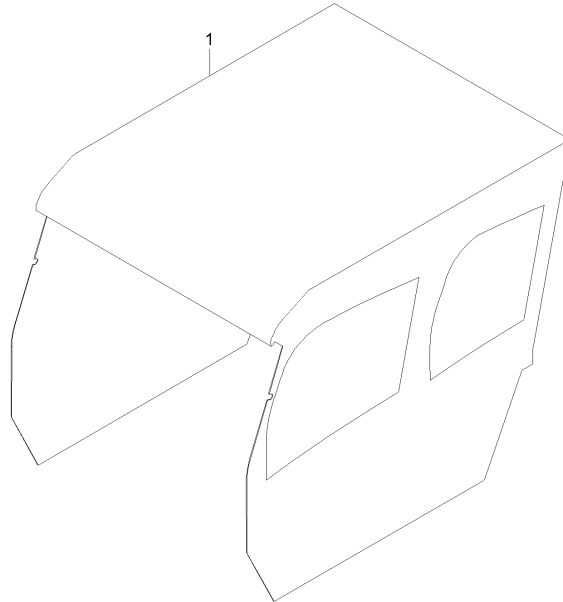
No.	Part Number	Description	Q'TY					I.C	Remark
			A	B	C	D	E		
1	U3300-A4101	SOFT CABIN(KIOTI-BLACK)	1	1	1				

----- Old replace New
 <-X-> Not interchangeable
 <-0-> Interchangeable with another part(s)

<----> New replace Old
 <----> Interchangeable

U3305-GA43A

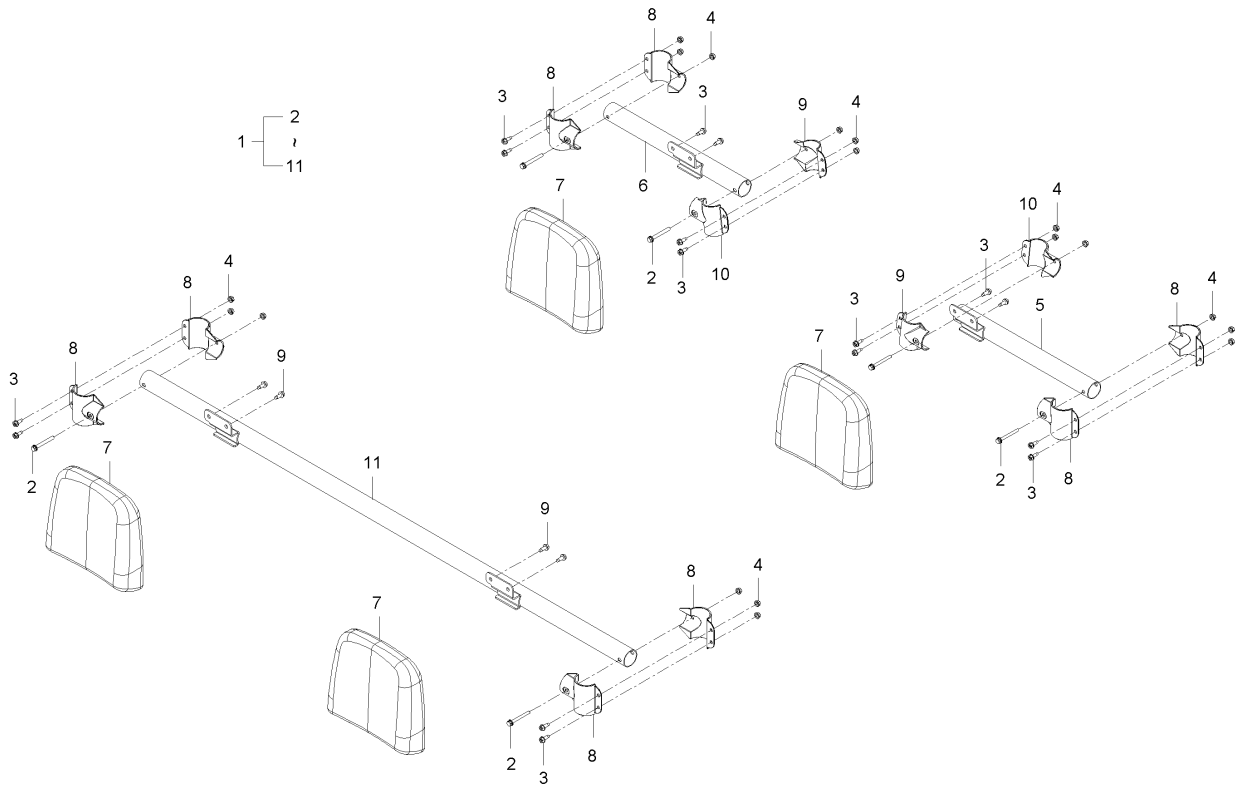
SOFT CABIN(KIOTI-CAMO)



A : MEC2240SW-EU , B : MEC2240SA-EU , C : MEC2240ST-EU

No.	Part Number	Description	Q'TY					I.C	Remark
			A	B	C	D	E		
1	U3300-A4301	SOFT CABIN(KIOTI-CAMO)	1	1	1				

----> Old replace New <---- New replace Old
 <-X-> Not interchangeable <---> Interchangeable
 <-0-> Interchangeable with another part(s)



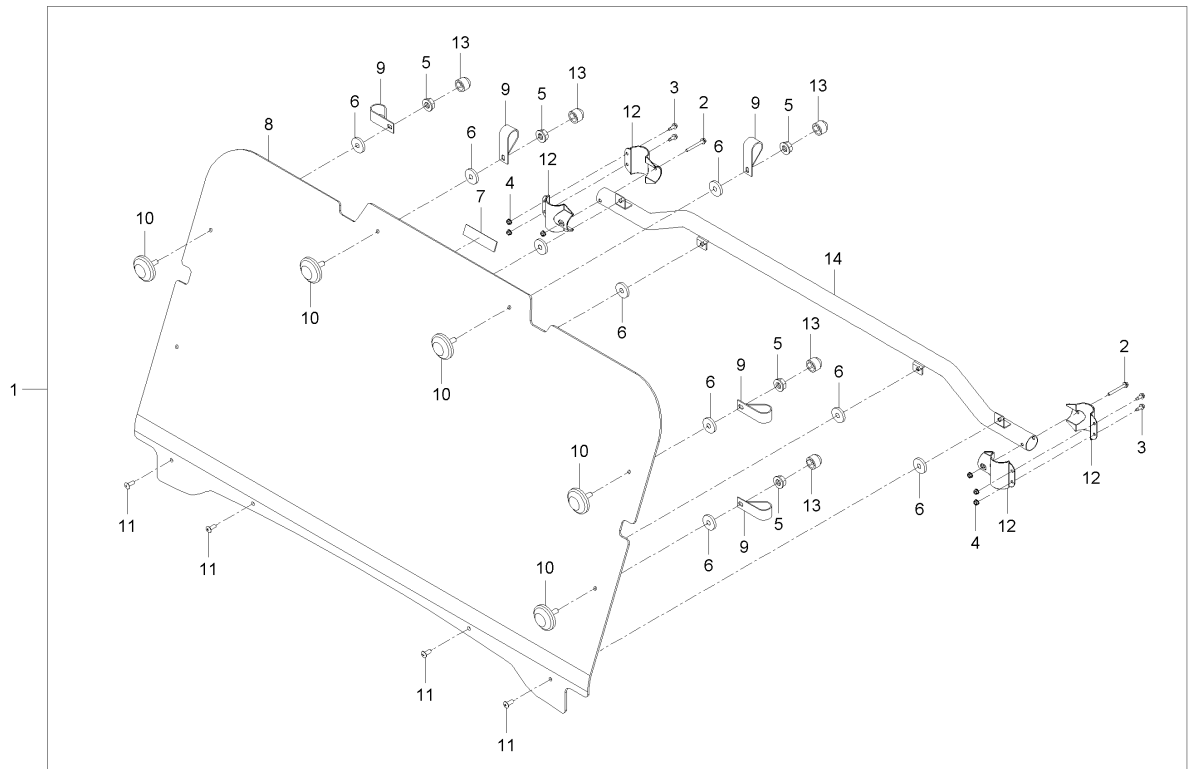
A : MEC2240SW-EU , B : MEC2240SA-EU , C : MEC2240ST-EU

No.	Part Number	Description	Q'TY					I.C	Remark
			A	B	C	D	E		
1	U3305-A6002	HEAD REST ASSY	1	1	1				
2	01025-50655B	BOLT	6	6	6				
3	01754-50612B	FLANGE BOLT	20	20	20				
4	02761-50060B	FLANGE NUT	18	18	18				
5	U3210-97611	Head Rest Bar	1	1	1				
6	U3210-97661	Head Rest Bar Assy-RH	1	1	1				
7	U3215-97642	HEAD REST ASSY	4	4	4				
8	U3215-97671	HEAD REST BAR CONNECT 2	8	8	8				
9	U3215-97681	HEAD REST BAR CONNECT 2	2	2	2				
10	U3215-97691	HEAD REST BAR CONNECT 3	2	2	2				
11	U3300-A6001	ASSY, HEADREST-BAR	1	1	1				

----> Old replace New
 <-X-> Not interchangeable
 <-0-> Interchangeable with another part(s)
 <----> New replace Old
 <----> Interchangeable

U1-U3930A

WIND SHIELD GROUP



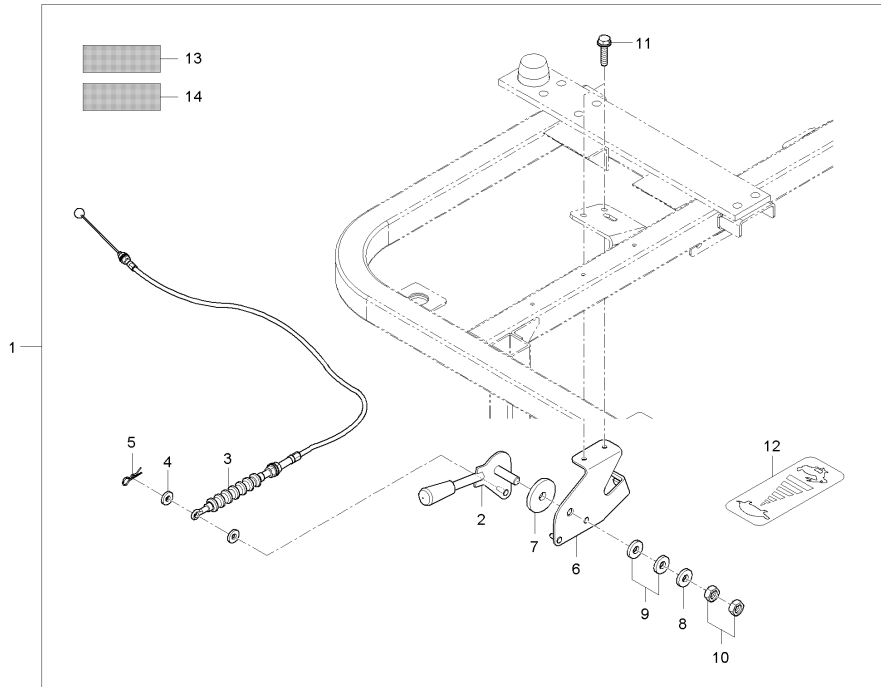
A : MEC2240SW-EU , B : MEC2240SA-EU , C : MEC2240ST-EU

No.	Part Number	Description	Q'TY					I.C	Remark
			A	B	C	D	E		
1	U3215-97005	ASSY, WIND SHIELD	1	1	1				
2	01025-50655B	BOLT	2	2	2				
3	01754-50612B	FLANGE BOLT	4	4	4				
4	02761-50060B	FLANGE NUT	6	6	6				
5	02763-50080B	FLANGE NUT	6	6	6				
6	T2610-80691	CUSHION	10	10	10				
7	U3215-72781	INSULATION-DUCT,FRAME	1	1	1				
8	U3215-97103	WIND SHIELD GLASS	1	1	1				
9	U3215-97111	CLAMP	6	6	6				
10	U3215-97151	BOLT, CAP	6	6	6				
11	U3215-97161	SCREW	4	4	4				
12	U3215-97671	HEAD REST BAR CONNECT 2	4	4	4				
13	T4815-93211	NUT	6	6	6				
14	U3215-97122	WIND SHIELD CONNECT	1	1	1				

----> Old replace New
 <-X-> Not interchangeable
 <-0-> Interchangeable with another part(s)
 <---- New replace Old
 <----> Interchangeable

U1-U3950A

HAND THROTTLE GROUP-OPT



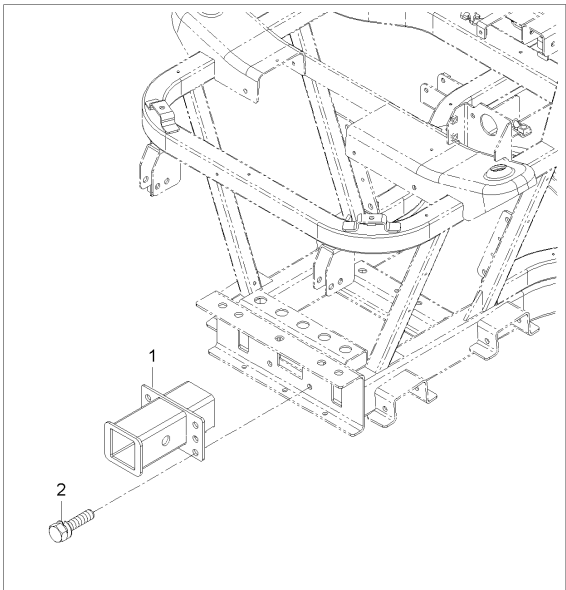
A : MEC2240SW-EU , B : MEC2240SA-EU , C : MEC2240ST-EU

No.	Part Number	Description	Q'TY					I.C	Remark
			A	B	C	D	E		
1	U3219-74402	ACCEL ASSY	1	1	1				
2	U3210-74551	Lever Assy - Hand Accelerator	1	1	1				
3	U3215-74501	CABLE, HAND ACCEL	1	1	1				
4	04013-50060B	WASHER	2	2	2				
5	05525-50600	PIN, SNAP	1	1	1				DIA1.2
6	U3210-74591	Bracket ,Hand Accel Lever Assy	1	1	1				
7	T2670-60091	LINING,BRAKE	1	1	1				
8	04013-50120B	WASHER	1	1	1				
9	T4835-17241	SPRING	2	2	2				
10	02176-50120B	NUT	2	2	2				
11	01754-50616B	FLANGE BOLT	2	2	2				
12	U3215-85211	LABEL, SPEED CONTROL	1	1	1				
13	U3210-85591	LABEL	1	1	1				
14	U3214-85591	LABEL	1	1	1				

----- Old replace New
 <-X-> Not interchangeable
 <-0-> Interchangeable with another part(s)
 ----- New replace Old
 ----- Interchangeable

U1-U5010A

FRONT HITCH GROUP-OPT



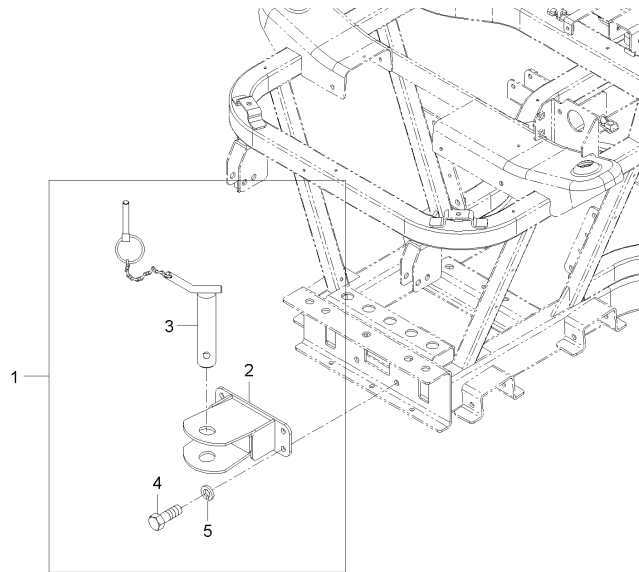
A : MEC2240SW-EU , B : MEC2240SA-EU , C : MEC2240ST-EU

No.	Part Number	Description	Q'TY					I.C	Remark
			A	B	C	D	E		
1	U3210-97511	ASSY, FRONT HITCH	1	1	1				
2	01135-51025B	BOLT	6	6	6				

----- Old replace New <----- New replace Old
 <-X-> Not interchangeable <-> Interchangeable
 <-0-> Interchangeable with another part(s)

U3-U5020A

FRONT HITCH GROUP(EEC)-OPT



A : MEC2240SW-EU , B : MEC2240SA-EU , C : MEC2240ST-EU

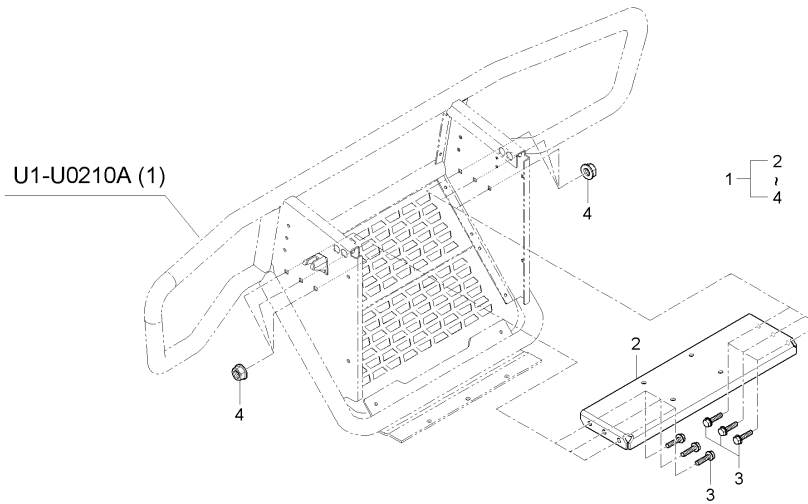
No.	Part Number	Description	Q'TY					I.C	Remark
			A	B	C	D	E		
1	U3230-97201	FRONT HITCH KIT	1	1	1				
2	U3230-97211	ASSY, FRONT HITCH	1	1	1				
3	T2611-50041	PIN,CONNECT	1	1	1				
4	01176-51245	BOLT	4	4	4				
5	04512-50120	WASHER, SPRING	4	4	4			M12	

----- Old replace New
 <-X-> Not interchangeable
 <-0-> Interchangeable with another part(s)

<----- New replace Old
 <----> Interchangeable

U1-U5030A

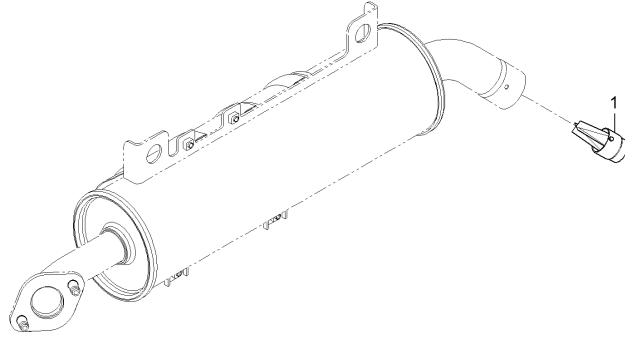
WINCH GROUP



A : MEC2240SW-EU , B : MEC2240SA-EU , C : MEC2240ST-EU

No.	Part Number	Description	Q'TY					I.C	Remark
			A	B	C	D	E		
1	U3215-97551	WINCH ASSY	1	1	1				
2	U3215-97561	BRKT, WINCH MT'G	1	1	1				
3	01754-50825	FLANGE BOLT	6	6	6			M8XP1.25	
4	02763-50080	FLANGE NUT	6	6	6			M8XP1.25	

----> Old replace New
 <-X-> Not interchangeable
 <-0-> Interchangeable with another part(s)
 <---- New replace Old
 <-> Interchangeable



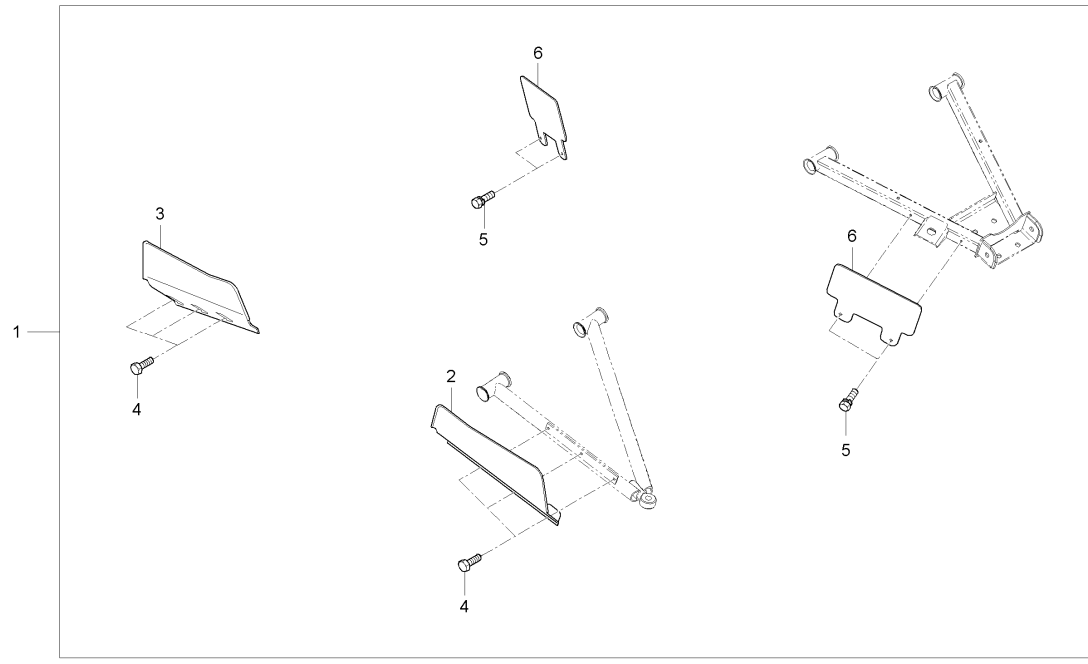
A : MEC2240SW-EU , B : MEC2240SA-EU , C : MEC2240ST-EU

No.	Part Number	Description	Q'TY					I.C	Remark
			A	B	C	D	E		
1	U3215-76121	SCREEN SPARK ARREST	1	1	1				

----> Old replace New
<-X-> Not interchangeable
<-0-> Interchangeable with another part(s)
<---- New replace Old
<---> Interchangeable

U1-U5080A

SUSP DUST SHIELD GROUP-OPT



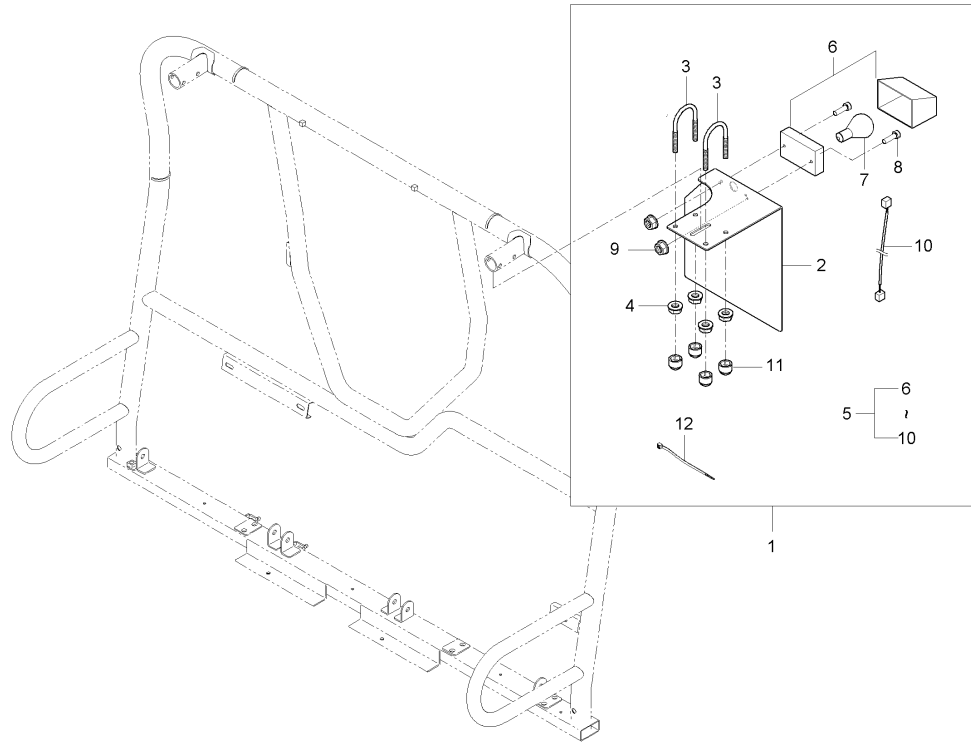
A : MEC2240SW-EU , B : MEC2240SA-EU , C : MEC2240ST-EU

No.	Part Number	Description	Q'TY					I.C	Remark
			A	B	C	D	E		
1	U3215-52353	ASSY, DUST SHIELD	1	1	1				
2	U3215-52401	DUST SHIELD, FR LH	1	1	1				
3	U3215-52701	DUST SHIELD, FR RH	1	1	1				
4	01025-50618	BOLT	6	6	6				M6*P1.0
5	01025-50638	BOLT, WASHER	4	4	4				M6*1.0
6	U3215-55201	DUST SHIELD, RR	2	2	2				

----> Old replace New
 <-X-> Not interchangeable
 <-0-> Interchangeable with another part(s)
 <---- New replace Old
 <----> Interchangeable

U1-U5680A

NUMBER PLATE GROUP



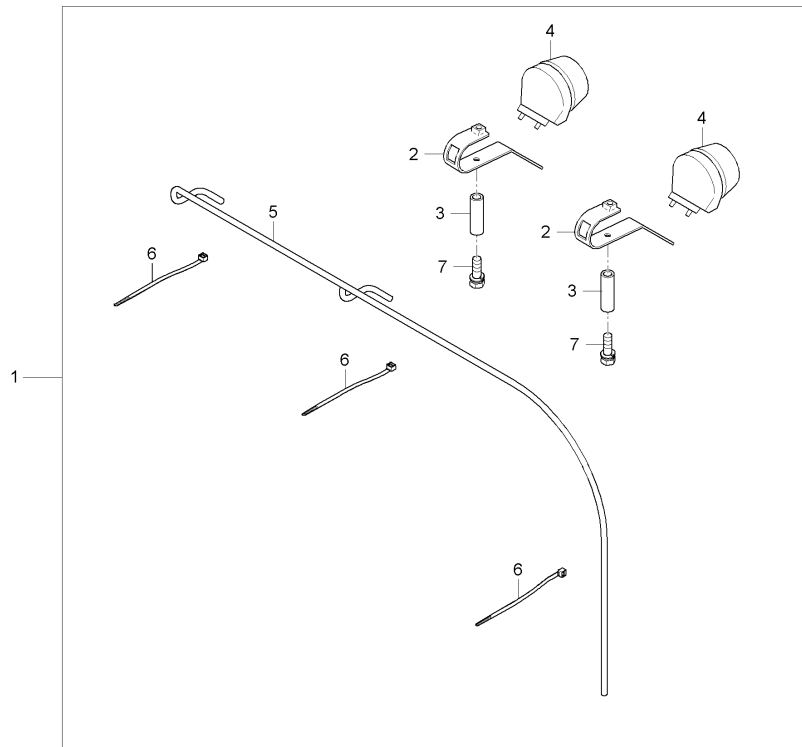
A : MEC2240SW-EU , B : MEC2240SA-EU , C : MEC2240ST-EU

No.	Part Number	Description	Q'TY					I.C	Remark
			A	B	C	D	E		
1	U3210-91152	ASSY, NUMBER PLATE	1	1	1				
2	U3210-91162	NUMBER BOARD SUPPORT PLATE	1	1	1				
3	U3215-97782	Bolt - U Type (M8)	2	2	2				
4	02763-50080B	FLANGE NUT	4	4	4				
5	T2611-75712	LICENSE PLATE LAMP ASSY	1	1	1				
6	T2611-75721	LAMP, LICENSE PLATE	1	1	1				
7	T2611-79021	BULB,LIGHT(27W)	1	1	1				
8	03024-50414B	BOLT,SCREW	2	2	2				
9	02761-50040B	FLANGE NUT	2	2	2				
10	U3215-60191	WIRE HARNESS,PLATE LAMP	1	1	1				
11	T4815-93211	NUT	4	4	4				
12	T2185-82561	BAND,CORD	5	5	5				

----- Old replace New
 <-X-> Not interchangeable
 <-0-> Interchangeable with another part(s)
 <----> New replace Old
 <----> Interchangeable

U3-U5730A

HIGH MOUNT BRAKE LAMP GROUP



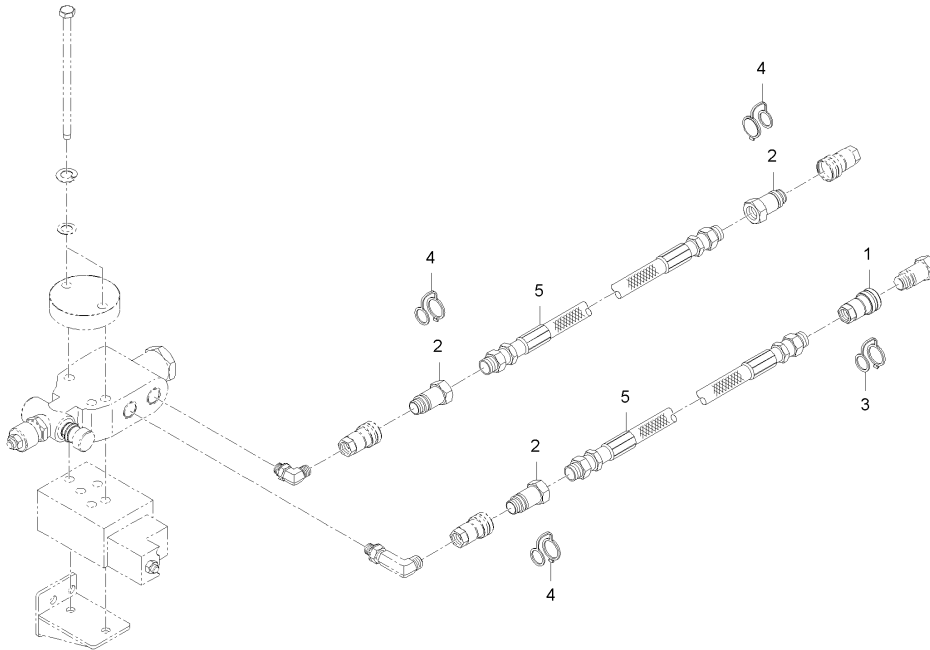
A : MEC2240SW-EU , B : MEC2240SA-EU , C : MEC2240ST-EU

No.	Part Number	Description	Q'TY					I.C	Remark
			A	B	C	D	E		
1	U3230-69701	BRAKE LAMP KIT	1	1	1				
2	U3215-60362	WORKING LAMP CONN BRKT ASSY	2	2	2				
3	U3215-60401	BUSH	2	2	2				
4	U3215-69711	BRAKE LAMP	1	1	1				
5	U3215-69731	ASSY WIRE HARNESS, BRAKE LAMP	1	1	1				
6	T2198-82561	BAND, CORD	7	7	7				
7	01125-50865	BOLT, WASHER	2	2	2				M8 X P1.25

----> Old replace New
 <-X-> Not interchangeable
 <-O-> Interchangeable with another part(s)
 <---- New replace Old
 <----> Interchangeable

U1-U5940A

HYDRAULIC SYSTEM GROUP (3)-OPT



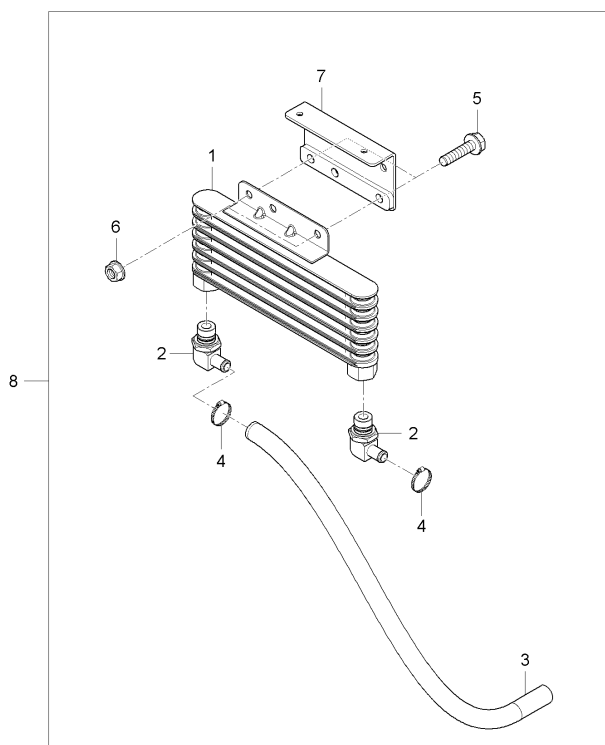
A : MEC2240SW-EU , B : MEC2240SA-EU , C : MEC2240ST-EU

No.	Part Number	Description	Q'TY					I.C	Remark
			A	B	C	D	E		
1	U3215-33901	COUPLER	1	1	1				
2	U3215-33911	COUPLER, PLUG ASSY	3	3	3				
3	U3215-33921	CAP	1	1	1				
4	U3215-33931	PLUG CAP	3	3	3				
5	U3215-33951	HOSE, HYD	1	1	1				

----> Old replace New
 <-X-> Not interchangeable
 <-0-> Interchangeable with another part(s)
 <-X-> New replace Old
 <-0-> Interchangeable

U1-U5950A

OIL COOLER GROUP



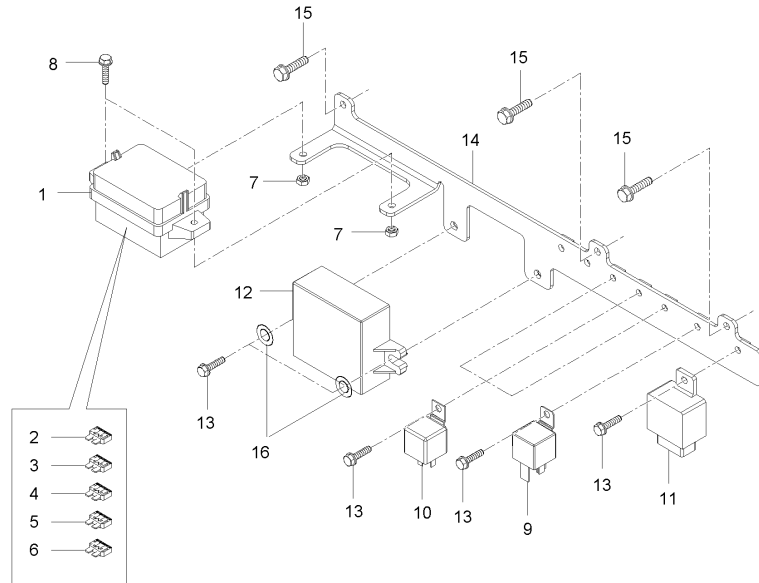
A : MEC2240SW-EU , B : MEC2240SA-EU , C : MEC2240ST-EU

No.	Part Number	Description	Q'TY					I.C	Remark
			A	B	C	D	E		
1	U3215-33501	OIL COOLER COMPLETE	1	1	1				
2	T4876-45162	ELBOW	2	2	2				
3	U3215-33511	HYD. HOSE T	1	1	1				
4	52200-2523-1	HOSBAND	3	3	3				
5	01123-50822	BOLT	2	2	2				M8XP1.25
6	02763-50080	FLANGE NUT	2	2	2				M8XP1.25
7	U3215-51111	BRKT ASSY, REWORK	1	1	1				
8	U3215-51101	OIL COOLER KIT	1	1	1				

----> Old replace New
 <-X-> Not interchangeable
 <-O-> Interchangeable with another part(s)
 <---- New replace Old
 <----> Interchangeable

U1-U0600A

ELECTRICAL SYSTEM 1 GROUP



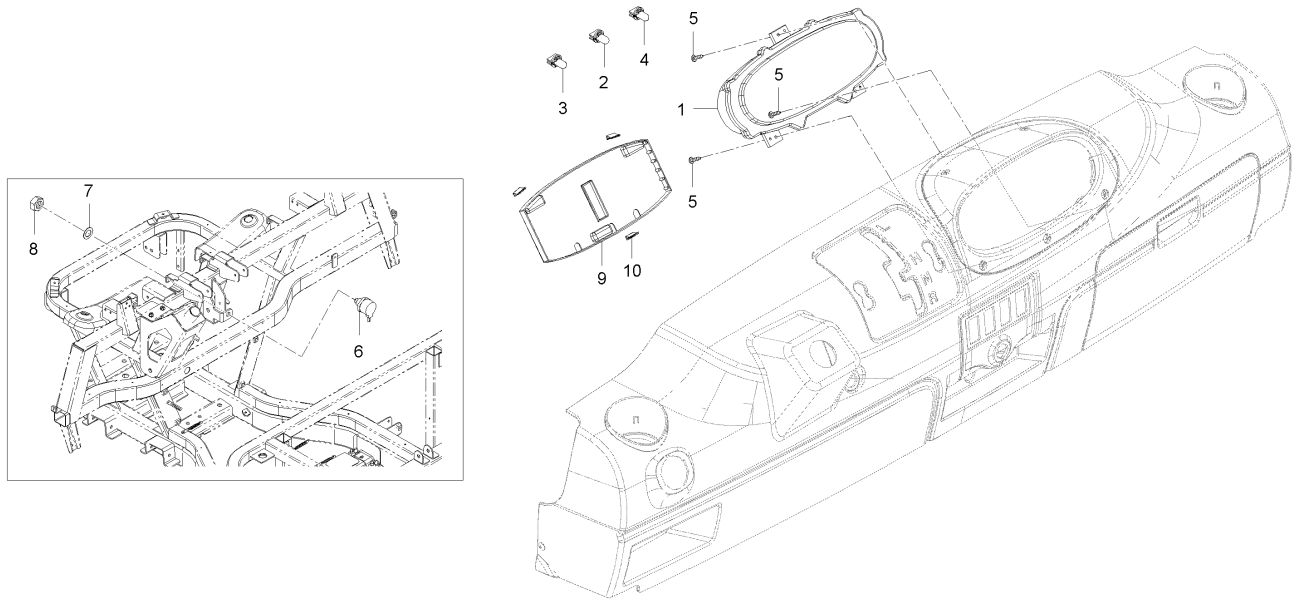
A : MEC2240SW-EU , B : MEC2240SA-EU , C : MEC2240ST-EU

No.	Part Number	Description	Q'TY					I.C	Remark
			A	B	C	D	E		
1	U3215-69103	ASSY FUSE BOX	1	1	1				
2	T2185-33651	FUSE, 5A	3	3	3				
3	T4260-33631	FUSE, 10A	3	3	3				
4	35820-7556-1	FUSE, 15A	2	2	2				
5	36919-5665-1	FUSE, 20A	4	4	4				
6	T4711-33611	FUSE, 30A	2	2	2				
7	02761-50060	FLANGE NUT	2	2	2			M6XP1.0	
8	01754-50616	BOLT, FLANGE	2	2	2			M6*P1.0	
9	T4180-69951	RELAY(4P)	1	1	1				
9	T5535-69951	RELAY(4P)	1	1	1			<---->	
10	T4180-69961	RELAY(5P)	3	3	3				
11	T4351-43101	ACCESSORY RELAY ASSY	1	1	1				
12	U3215-69872	DISPLAY UNIT	1	1	1				
13	03054-50516B	BOLT	7	7	7				
14	U3215-60161	RELAY BRACKET ASSY	1	1	1				
15	01754-50616	BOLT, FLANGE	3	3	3			M6*P1.0	
16	04013-50050	WASHER, PLAIN	2	2	2				

----> Old replace New
 <-X-> Not interchangeable
 <-0-> Interchangeable with another part(s)
 <----> New replace Old
 <----> Interchangeable

U1-U0610A

ELECTRICAL SYSTEM 2 GROUP



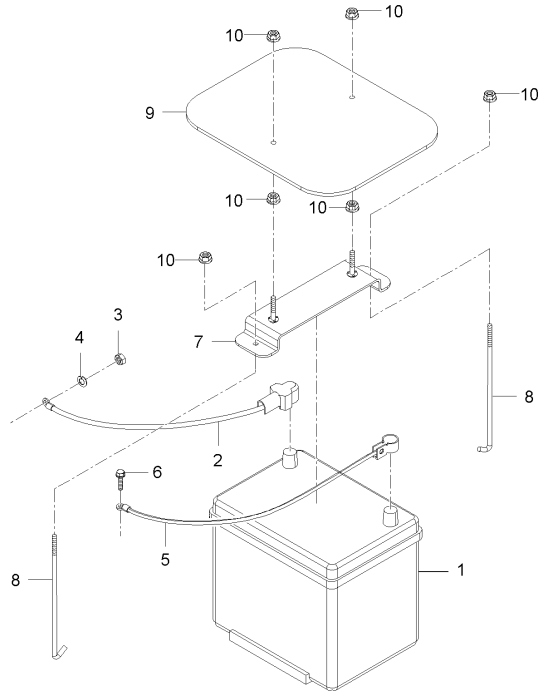
A : MEC2240SW-EU , B : MEC2240SA-EU , C : MEC2240ST-EU

No.	Part Number	Description	Q'TY					I.C	Remark
			A	B	C	D	E		
1	U3215-60311	CLUSTER ASSY, W/ SPEEDOMETER	1	1	1				
1	U3215-60312	CLUSTER ASSY, W/ SPEEDOMETER	1	1	1			<----	
2	U3215-60311001	BULB, 12V 3W	4	4	4				
3	U3215-60311002	BULB, 14V 3W	1	1	1				
4	U3215-60311003	BULB, 14V 1.4W	10	10	10				
5	U3215-96502	Screw_Meter Cluster(Tapping, Black)	3	3	3				
6	T4682-69401	SAFE SWITCH ASSY	1	1	1				
6	T5210-69401	ASSY SWITCH SAFETY	1	1	1			<-->	
7	04013-50160	WASHER, PLAIN	1	1	1				M16
8	02052-50160	NUT	1	1	1				
9	U3215-60321	COVER	1	1	1				
10	U3215-60511	CLAMP	3	3	3				

----> Old replace New
 <-X-> Not interchangeable
 <-0-> Interchangeable with another part(s)
 <---- New replace Old
 <--> Interchangeable

U1-U0630A

Battery Group



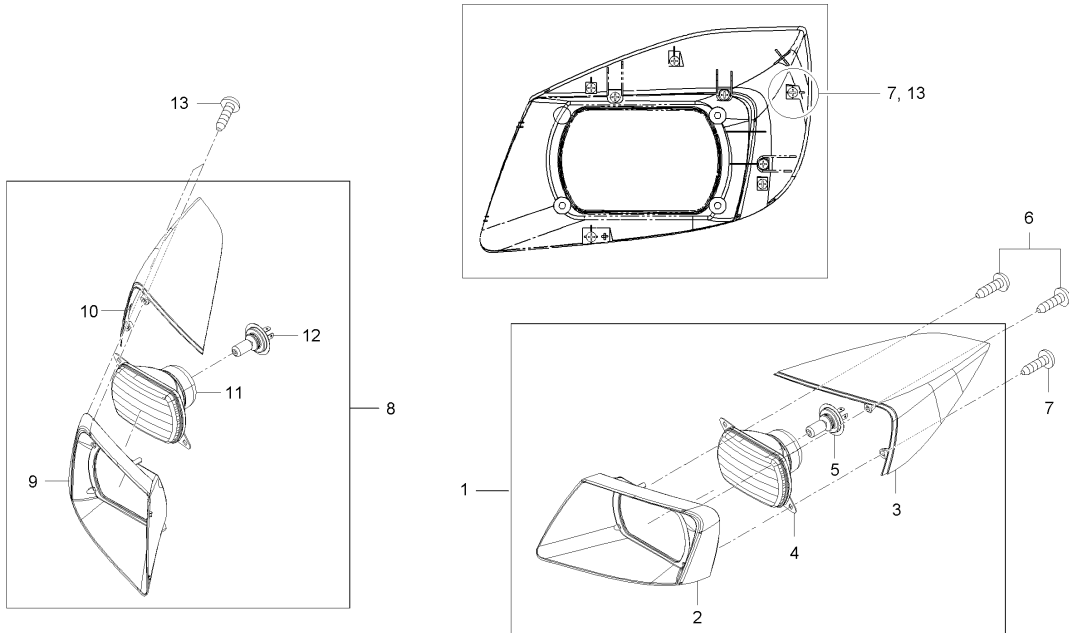
A : MEC2240SW-EU , B : MEC2240SA-EU , C : MEC2240ST-EU

No.	Part Number	Description	Q'TY					I.C	Remark
			A	B	C	D	E		
1	C7910-42204	BATTERY ASSY	1	1	1				
1	C7910-42205	BATTERY ASS'Y, GB80R	1	1	1			<---->	
2	U3215-60091	WIRE HARNESS 3	1	1	1				
3	02156-50080	NUT	1	1	1			M8XP1.25	
4	04512-50080	SPRING WASHER	1	1	1			M08	
5	U3215-60081	WIRE HARNESS, GROUND	1	1	1				
6	01754-50616	BOLT, FLANGE	1	1	1			M6*P1.0	
7	U3215-60201	BATTERY CLAMP ASSY	1	1	1				
8	U3215-60212	BATTERY PIN	2	2	2				
9	U3215-60522	BATTERY COVER	1	1	1				
10	02761-50060	FLANGE NUT	6	6	6			M6XP1.0	

<----> Old replace New
 <-X-> Not interchangeable
 <-0-> Interchangeable with another part(s)
 <----> New replace Old
 <----> Interchangeable

U1-U0640A

HEAD LIGHT GROUP



A : MEC2240SW-EU , B : MEC2240SA-EU , C : MEC2240ST-EU

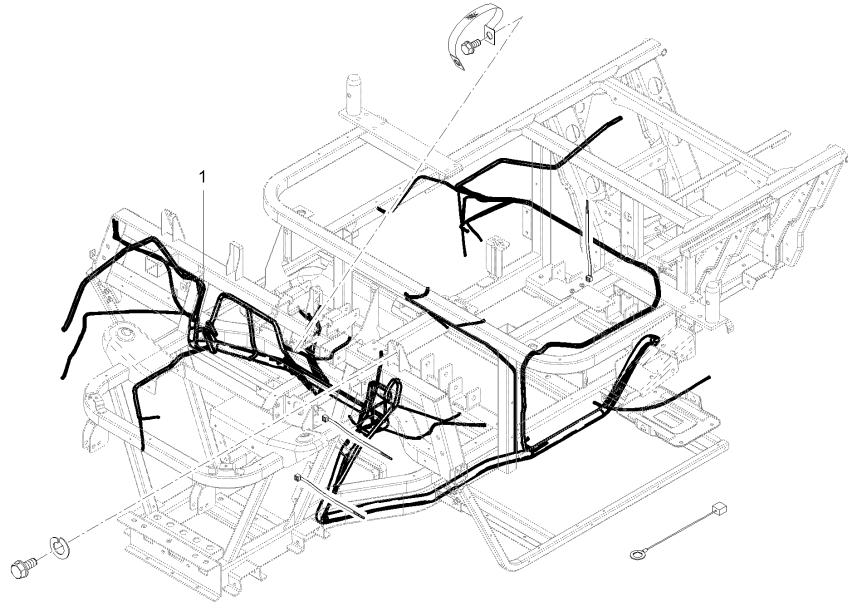
No.	Part Number	Description	Q'TY					I.C	Remark
			A	B	C	D	E		
1	U3215-60102	Head Light ASSY (Left)	1	1	1				
2	U3215-60122	Bezel - Head Light Front (Left)	1	1	1				
3	U3215-60421	BEZEL, HEAD LIGHT REAR (LEFT)	1	1	1				
4	T2350-69551	HEADLIGHT	1	1	1				
5	T2350-69571	BULB, 12VX55X60W	2	2	2				
6	U3215-96521	SCREW, TAPPING	3	3	3				
7	U3215-96521	SCREW, TAPPING	4	4	4				
8	U3215-60112	Head Light ASSY (Right)	1	1	1				
9	U3215-60132	Bezel - Head Light Front (Right)	1	1	1				
10	U3215-60431	BEZEL, HEAD LIGHT REAR (RIGHT)	1	1	1				
11	T2350-69551	HEADLIGHT	1	1	1				
12	T2350-69571	BULB, 12VX55X60W	2	2	2				
13	U3215-96521	SCREW, TAPPING	3	3	3				

----> Old replace New
 <-X-> Not interchangeable
 <-0-> Interchangeable with another part(s)

<---- New replace Old
 <----> Interchangeable

U3351-G730A

ELECTRICITY SYSTEM 3 GROUP



A : MEC2240SW-EU , B : MEC2240SA-EU , C : MEC2240ST-EU

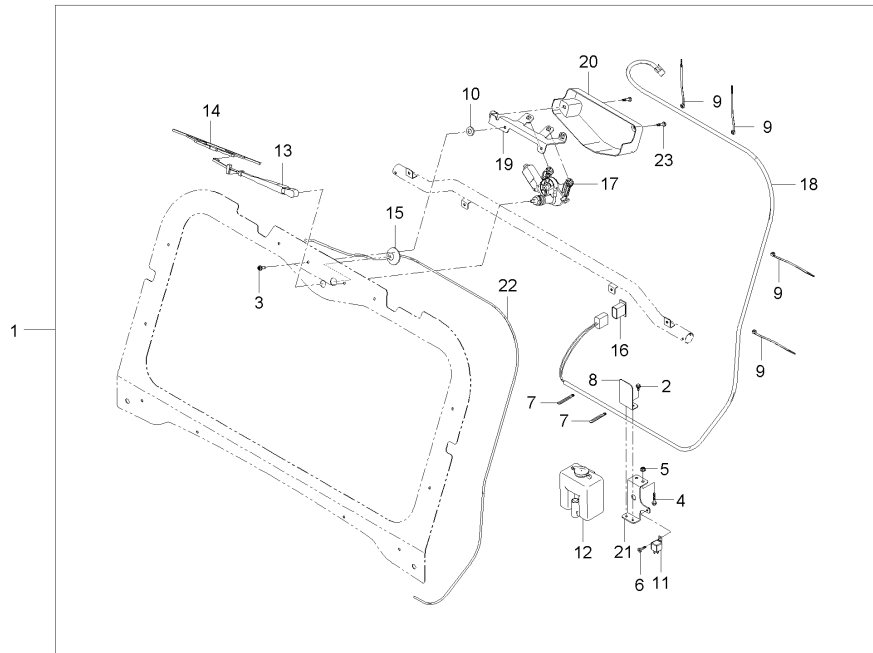
No.	Part Number	Description	Q'TY					I.C	Remark
			A	B	C	D	E		
1	U3351-73002	ASS'Y WIRE HARNESS MAIN	1	1	1				

----> Old replace New
 <-X-> Not interchangeable
 <-0-> Interchangeable with another part(s)

<---- New replace Old
 <---> Interchangeable

U1-U3933A

WIPER GROUP



A : MEC2240SW-EU , B : MEC2240SA-EU , C : MEC2240ST-EU

No.	Part Number	Description	Q'TY					I.C	Remark
			A	B	C	D	E		
1	U3210-97341	WIPER ASSY	1	1	1				
2	01754-50616	BOLT, FLANGE	2	2	2				M6*P1.0
3	01754-50816B	FLANGE BOLT	2	2	2				
4	01754-50865B	FLANGE BOLT	2	2	2				
5	02751-50080	FLANGE NUT	2	2	2				M8X1.25
6	03054-50516	SCREW	1	1	1				
7	34150-2939-1	CLAMP, WIRE	2	2	2				
8	C7280-89211	BRACKET	1	1	1				
9	T2185-82561	BAND,CORD	7	7	7				
10	T2610-80691	CUSHION	2	2	2				
11	T4180-69961	RELAY(5P)	1	1	1				
11	T5535-69961	RELAY(5P)	1	1	1			<--->	
12	T4340-87181	ASSY TANK	1	1	1				
13	T4815-82421	ARM, WIPER	1	1	1				
14	T4815-85431	BLADE	1	1	1				
15	T4920-70471	GROMMET(ROOF)	1	1	1				
16	T4935-54232	SWITCH, WIPER, FR	1	1	1				
17	T5270-69913	ASS`Y CONT-MULTI	1	1	1				
18	U3210-69201	ASS`Y WIRE HARNESS WIPER	1	1	1				

----> Old replace New

<-X-> Not interchangeable

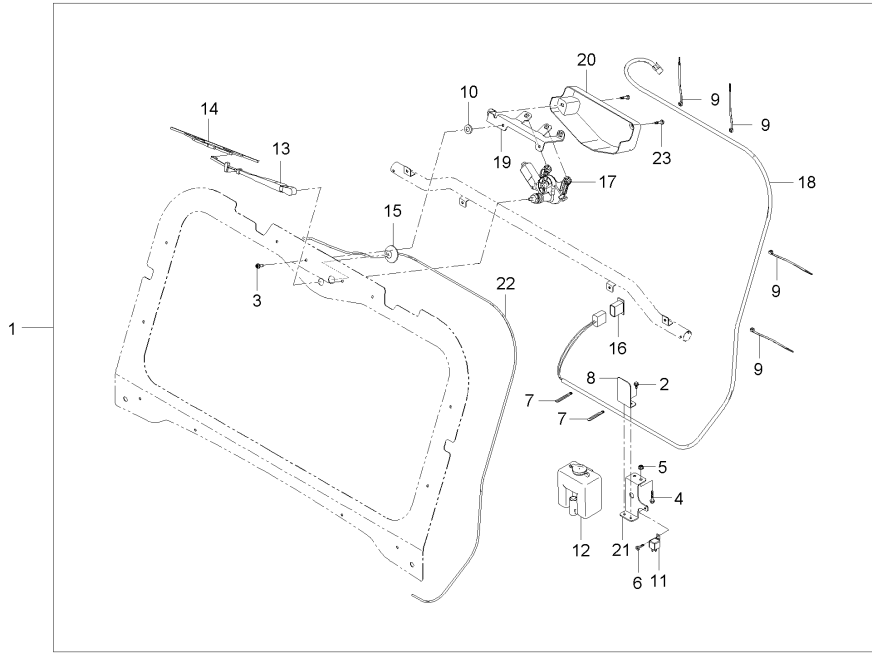
<-0-> Interchangeable with another part(s)

<---- New replace Old

<----> Interchangeable

U1-U3933A

WIPER GROUP



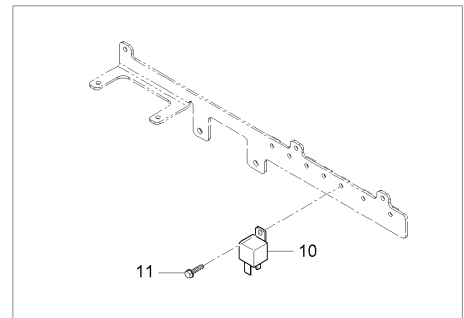
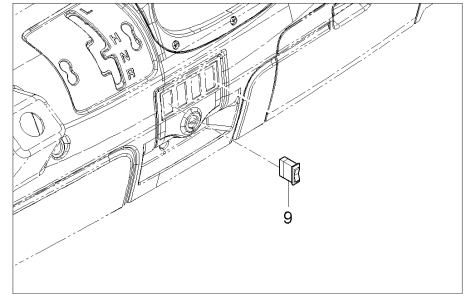
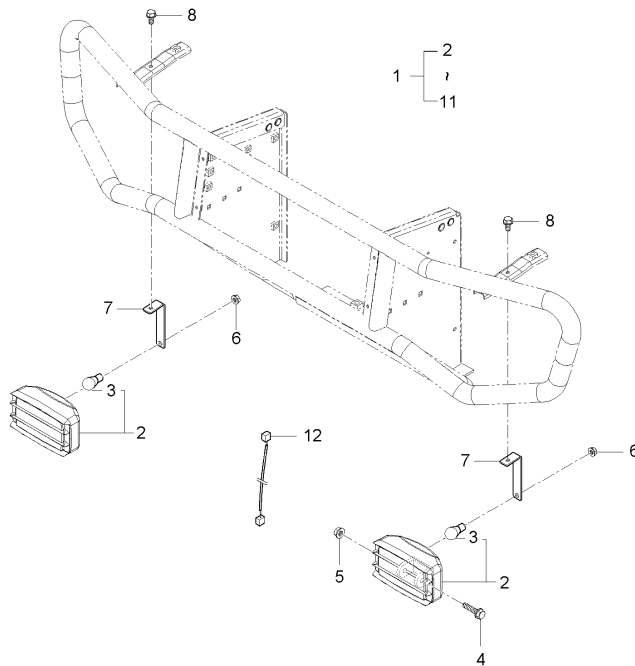
A : MEC2240SW-EU , B : MEC2240SA-EU , C : MEC2240ST-EU

No.	Part Number	Description	Q'TY					I.C	Remark
			A	B	C	D	E		
19	U3210-97221	BRACKET ASSY,FRONT WIPER MOTOR	1	1	1				
20	U3210-97251	COVER,FRONT WIPER MOTOR	1	1	1				
21	U3210-97261	BRACKET ASSY,WASHER LIQUID TANK	1	1	1				
22	U3210-97481	HOSE, WIPER	1	1	1				
23	U3215-97161	SCREW	2	2	2				

----- Old replace New
 <-X-> Not interchangeable
 <-0-> Interchangeable with another part(s)
 ----- New replace Old
 <----> Interchangeable

U1-U5650A

FOG LAMP GROUP



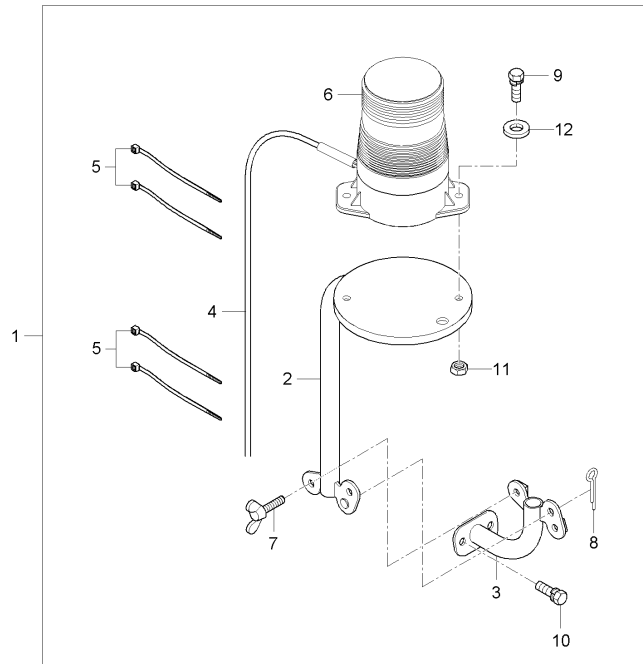
A : MEC2240SW-EU , B : MEC2240SA-EU , C : MEC2240ST-EU

No.	Part Number	Description	Q'TY					I.C	Remark
			A	B	C	D	E		
1	U3215-60254	ASSY, FOG LAMP	1	1	1				
2	P7170-68212	HEADLIGHT ASSY	2	2	2				
3	T4620-69251	BULB, HALOGEN 12VX35W	1	1	1				
4	01053-50655	BOLT	1	1	1				
5	02014-50060	NUT	1	1	1				M6*P1.0
6	02763-50080B	FLANGE NUT	2	2	2				
7	U3215-60181	FOG LAMP BRACKET	2	2	2				
8	01754-50614B	BOLT,FLANGE	2	2	2				
9	U3215-60071	FOG LAMP SWITCH	1	1	1				
10	T4351-43101	ACCESSORY RELAY ASSY	1	1	1				
11	03054-50516B	BOLT	1	1	1				
12	U3215-60411	ASS'Y WIRE HARNESS SWITCH	1	1	1				

----> Old replace New
 <-X-> Not interchangeable
 <-0-> Interchangeable with another part(s)
 <---- New replace Old
 <----> Interchangeable

U3-U5710A

BEACON LIGHT GROUP



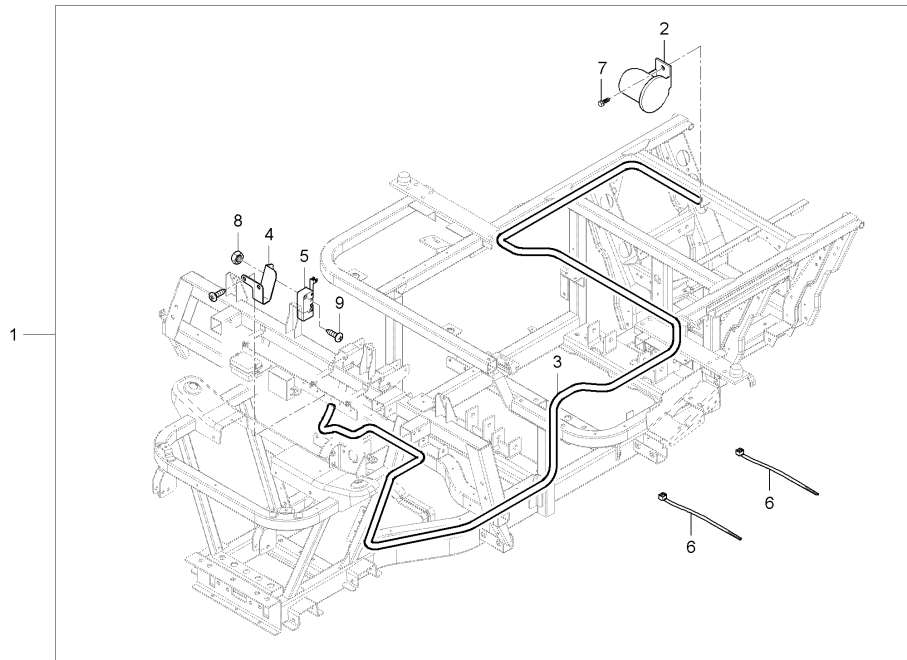
A : MEC2240SW-EU , B : MEC2240SA-EU , C : MEC2240ST-EU

No.	Part Number	Description	Q'TY					I.C	Remark
			A	B	C	D	E		
1	U3230-63601	BEACON ASS'Y	1	1	1				
1	U3230-63602	BEACON ASS'Y	1	1	1			<----	
2	U3230-63611	BEACON BRACKET SUB ASS'Y 1	1	1	1				
3	U3230-63661	BEACON BRACKET SUB ASS'Y 2	1	1	1				
4	U3215-69611	LAMP CONNECTION WIRE HARNESS ASS'Y	1	1	1				
5	T2198-82561	BAND, CORD	7	7	7				
6	T5210-68552	WARINING LIGHT	1	1	1				
6	T5210-68553	WARINING LIGHT	1	1	1			<----	
7	01811-50615	BOLT, WING	1	1	1				
8	05511-51612	PIN, SPLIT	1	1	1				
9	01023-50616	BOLT, WASHER	2	2	2				M6*P1.0
10	01025-50612	BOLT, WASHER	2	2	2				M6P1.0
11	02056-50060	NUT	2	2	2				M6*P1.0
12	04013-50060	WASHER, PLAIN	2	2	2				M6

----- Old replace New
 <-X-> Not interchangeable
 <-0-> Interchangeable with another part(s)
 <----> New replace Old
 <----> Interchangeable

U3-U5750A

ALARM SYSTEM BACKUP, GROUP



A : MEC2240SW-EU , B : MEC2240SA-EU , C : MEC2240ST-EU

No.	Part Number	Description	Q'TY					I.C	Remark
			A	B	C	D	E		
1	U3230-69801	BACKUP ALARM SYSTEM KIT	1	1	1				
2	U3215-69811	BUZZERASSY	1	1	1				
3	U3215-69821	ASS'Y WIRE HARNESS BUZZER	1	1	1				
4	U3230-69831	BRACKET, BACKUP ALARM SYSTEM	1	1	1				
5	T4810-69251	MICRO SWITCH	1	1	1				
6	T2198-82561	BAND, CORD	5	5	5				
7	01027-50616	BOLT, WASHER	1	1	1				
8	02054-50030	NUT	2	2	2				
9	03054-50316	SCREW	2	2	2				

----> Old replace New

<---- New replace Old

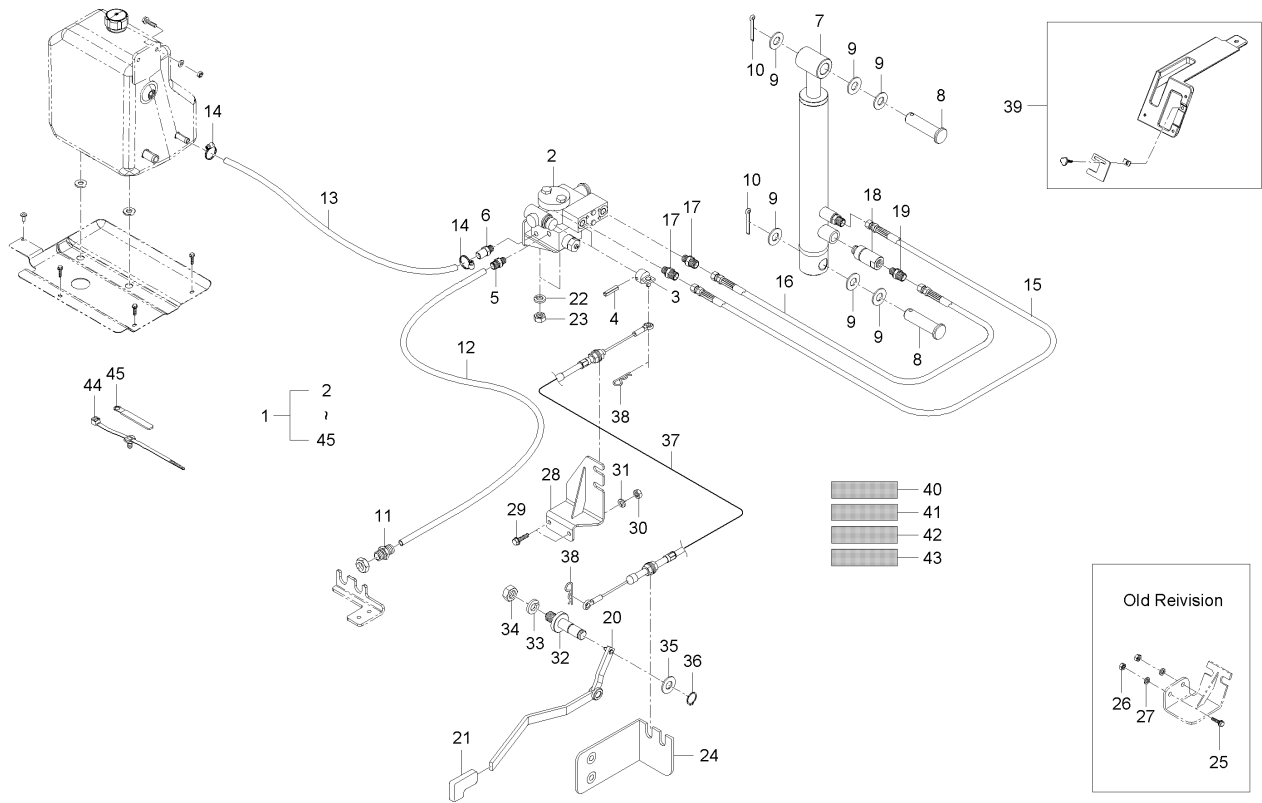
<-X-> Not interchangeable

<---> Interchangeable

<-0-> Interchangeable with another part(s)

U3353-G610A

HYDRAULIC SYSTEM



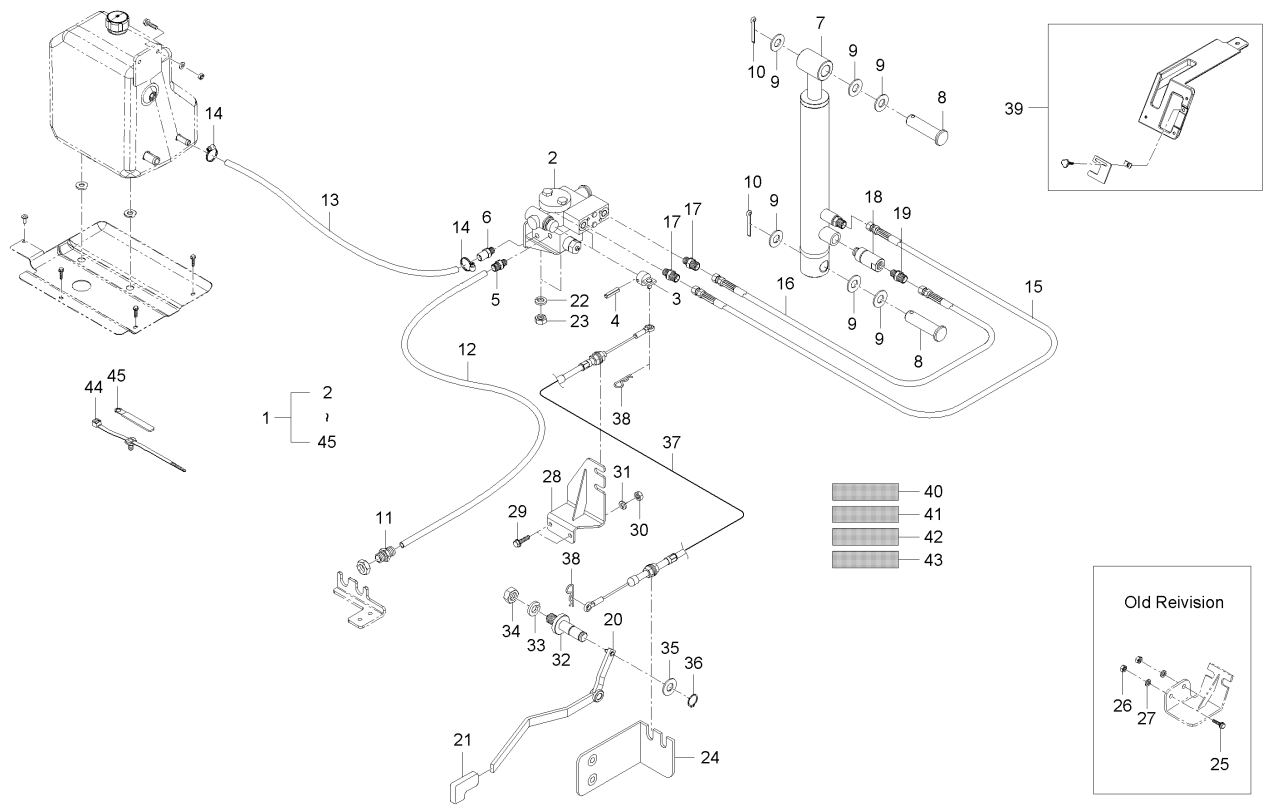
A : MEC2240SW-EU , B : MEC2240SA-EU , C : MEC2240ST-EU

No.	Part Number	Description	Q'TY					I.C	Remark
			A	B	C	D	E		
1	U3353-34001	ASSY, HYD KIT(1)	1	1	1				
2	U3210-34212	HYD VALVE ASS'Y B	1	1	1				
3	U3215-32252	Adaptor - Control Valve	1	1	1				
4	05411-00630	PIN, SPRING	1	1	1			DIA6*30	
5	T4810-46971	TUBE, CONNECTING	1	1	1				
6	T4715-47071	CONNECTOR	1	1	1				
7	U3215-32201	CYLINDER, HYD	1	1	1				
8	U3215-32972	Pin, Joint	2	2	2				
9	04013-50200	WASHER, PLAIN	6	6	6				
10	05515-51600	PIN, SNAP	2	2	2				
11	T5210-37531	CONNECTOR	1	1	1				
12	U3210-34151	HOSE C2, HYD	1	1	1				
13	U3215-31501	HYD HOSE T, CONT. VALVE	1	1	1				
14	52200-2523-1	HOSBAND	2	2	2				
15	U3215-31803	Hyd Hose A, Cylinder	1	1	1				
16	U3215-31902	HYD HOSE B, CYLINDER	1	1	1				
17	T4810-46962	CONNECTOR	2	2	2				
18	U3215-32001	ORIFICE	1	1	1				
19	T4620-66161	TUBE, CONNECTING	1	1	1				

----> Old replace New
 <-X-> Not interchangeable
 <-0-> Interchangeable with another part(s)
 <----> New replace Old
 <----> Interchangeable

U3353-G610A

HYDRAULIC SYSTEM



A : MEC2240SW-EU , B : MEC2240SA-EU , C : MEC2240ST-EU

No.	Part Number	Description	Q'TY					I.C	Remark
			A	B	C	D	E		
20	U3350-61601	LEVER1	1	1	1				
21	T4260-24462	GRIP	1	1	1				
22	04512-50100	WASHER, SPRING	2	2	2			M10	
23	02176-50100	NUT	2	2	2			M10XP1.25	
24	U3350-61501	BRACKET	1	1	1				
24	U3350-61502	BRACKET	1	1	1			<--->	
25	01754-50820	FLANGE BOLT	2	2	2			M8*P1.25	
26	02156-50080	NUT	2	2	2			M8XP1.25	
27	04512-50080	SPRING WASHER	2	2	2			M08	
28	U3215-32802	Bracket Assy - Control Valve Cable	1	1	1				
29	01754-50820	FLANGE BOLT	2	2	2			M8*P1.25	
30	02156-50080	NUT	2	2	2			M8XP1.25	
31	04512-50080	SPRING WASHER	2	2	2			M08	
32	U3215-32902	Shaft Lever MTG. HYD.(PIN)	1	1	1				
33	04512-50120	WASHER, SPRING	1	1	1			M12	
34	02174-50120	NUT	1	1	1			M12*P1.25	
35	04013-50160	WASHER, PLAIN	1	1	1			M16	
36	04612-00160	SNAP RING	1	1	1				
37	U3350-61401	Cable Assy - Hyd	1	1	1				

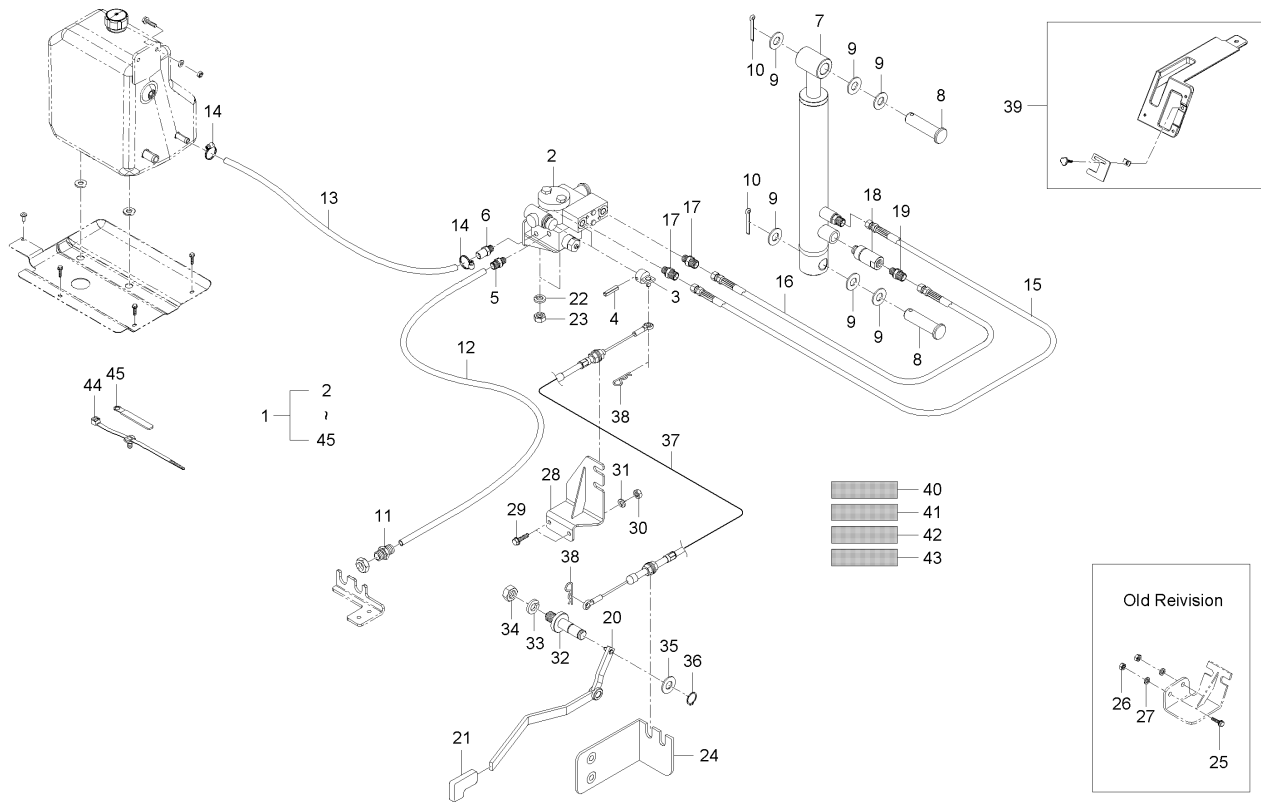
----> Old replace New

<-X-> Not interchangeable

<-0-> Interchangeable with another part(s)

<---- New replace Old

<----> Interchangeable



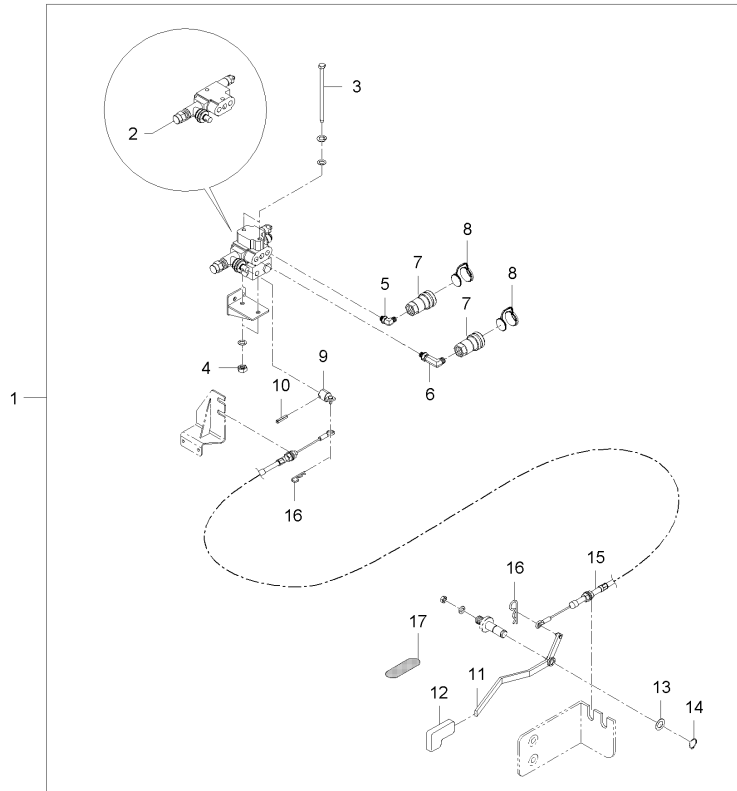
A : MEC2240SW-EU , B : MEC2240SA-EU , C : MEC2240ST-EU

No.	Part Number	Description	Q'TY					I.C	Remark
			A	B	C	D	E		
38	05525-50800	PIN, SNAP	2	2	2				
39	U3215-93501	Lever Cover Assy	1	1	1				
40	U3215-85491	LABEL, DOUBLE ACTING LEVER(ENG)	1	1	1				
41	U3215-85711	LABEL WARNING, HYD LEVER LOCK	1	1	1				
42	U3210-85491	LABEL, DOUBLE ACTING LEVER(KOR)	1	1	1				
43	U3215-85321	LABEL DIFF,LOCK	1	1	1				
44	T2198-82551	BAND,CORD	1	1	1				
45	34150-2939-1	CLAMP, WIRE	1	1	1				

----> Old replace New
 <-X-> Not interchangeable
 <-0-> Interchangeable with another part(s)
 <---- New replace Old
 <----> Interchangeable

U3355-G610A

HYDRAULIC SYSTEM



A : MEC2240SW-EU , B : MEC2240SA-EU , C : MEC2240ST-EU

No.	Part Number	Description	Q'TY					I.C	Remark
			A	B	C	D	E		
1	U3355-34001	ASSY, HYD KIT(2)-BULK PACKING	1	1	1				
2	U3215-32432	DU-Sectional Valve	1	1	1				
3	U3215-32271	BOLT	2	2	2				
4	41182-5151-1	U-NUT	2	2	2				
5	U3215-33701	CONNECTOR B	1	1	1				
6	U3215-33801	CONNECTOR C	1	1	1				
7	U3215-33902	COUPLER	2	2	2				
8	U3215-33921	CAP	2	2	2				
9	U3215-32252	Adaptor - Control Valve	1	1	1				
10	05411-00630	PIN, SPRING	1	1	1				DIA6*30
11	U3350-61701	LEVER2	1	1	1				
12	T4260-24462	GRIP	1	1	1				
13	04013-50160	WASHER, PLAIN	1	1	1				M16
14	04612-00160	SNAP RING	1	1	1				
15	U3350-61401	Cable Assy - Hyd	1	1	1				
16	05525-50800	PIN, SNAP	2	2	2				
17	U3210-85481	LABEL	1	1	1				

----> Old replace New

<-X-> Not interchangeable

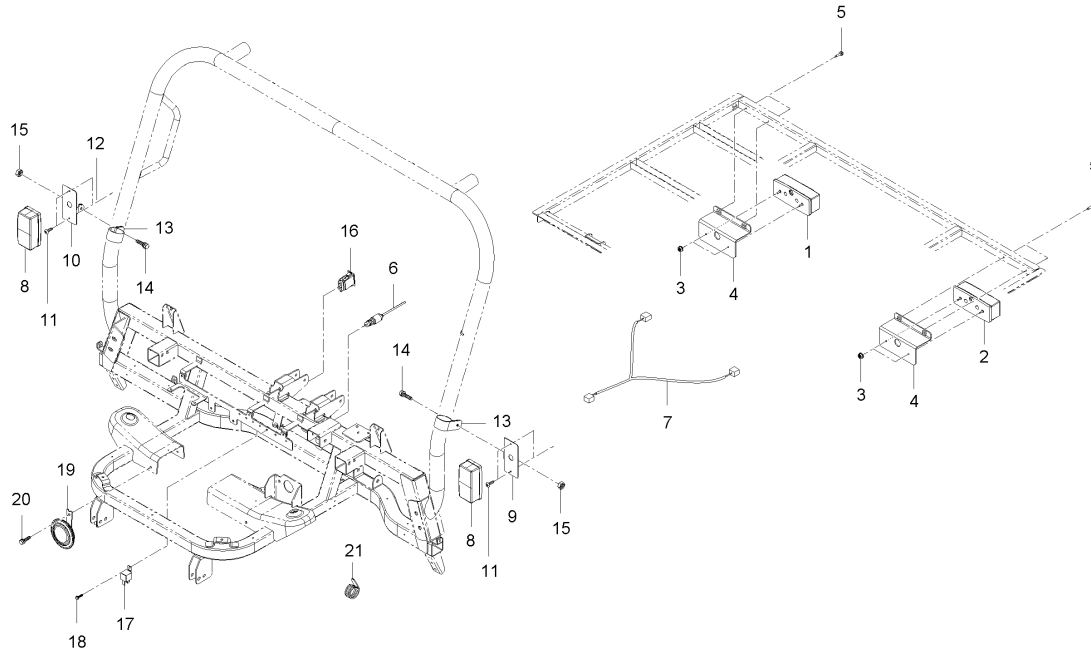
<-0-> Interchangeable with another part(s)

<---- New replace Old

<----> Interchangeable

U1-U0980A

OPTIONAL LAMP GROUP



A : MEC2240SW-EU , B : MEC2240SA-EU , C : MEC2240ST-EU

No.	Part Number	Description	Q'TY					I.C	Remark
			A	B	C	D	E		
1	T2611-75882	REAR LAMP ASSY, RH	1	1	1				
2	T2611-75892	REAR LAMP ASSY, LH	1	1	1				
3	02761-50040B	FLANGE NUT	4	4	4				
4	U3215-60171	COMBI LAMP BRACKET, RR	2	2	2				
5	01754-50625B	FLANGE BOLT	4	4	4				
6	T4520-41821	ASSY SWITCH,STOP	1	1	1				
7	U3210-60841	W/Harness-Rear Lamp	1	1	1				
8	T2185-69071	COMBI LIGHT ASSY, FR	2	2	2				
9	U3215-60341	BRACKET, LH	1	1	1				
10	U3215-60351	BRACKET, RH	1	1	1				
11	03054-50412B	BOLT	4	4	4				
12	U3215-97111	CLAMP	2	2	2				
13	01754-50816B	FLANGE BOLT	2	2	2				
14	02763-50080B	FLANGE NUT	2	2	2				
15	T4025-68351	SWITCH, EMERGENCY LAMP	1	1	1				
16	T4121-31052	FLASHER UNIT, SENSOR	1	1	1				
16	T4121-31053	FLASHER UNIT, SENSOR	1	1	1				<---->
16	T4121-31054	FLASHER UNIT, SENSOR	1	1	1				<---->
17	T2611-75951	ASSY HORN	1	1	1				

----> Old replace New

<-X-> Not interchangeable

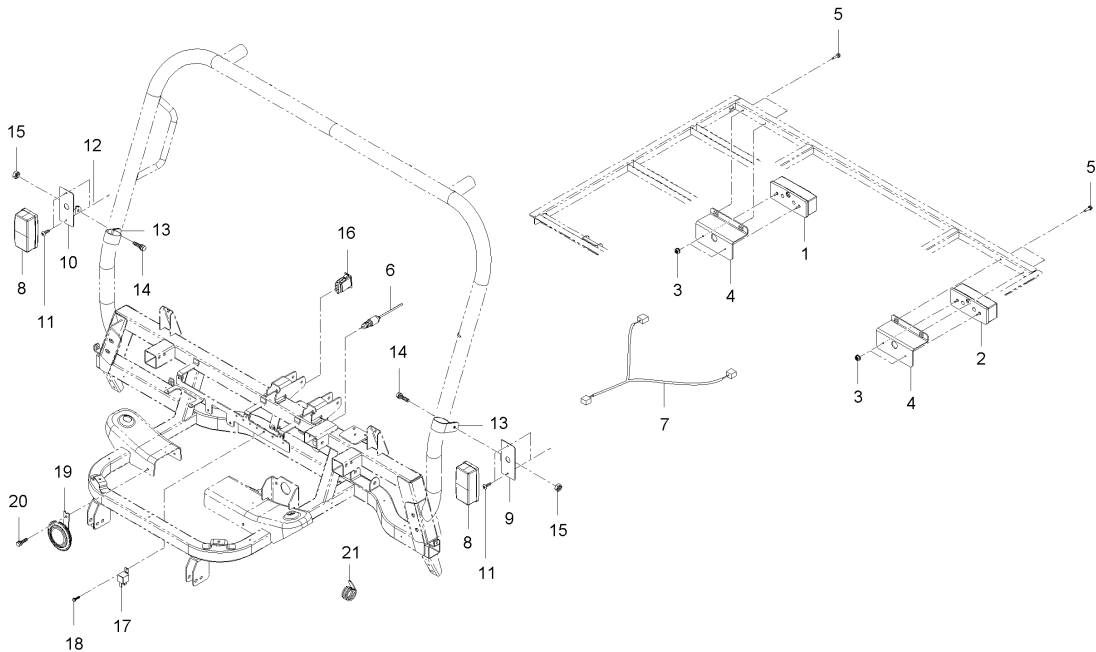
<-0-> Interchangeable with another part(s)

<----> New replace Old

<----> Interchangeable

U1-U0980A

OPTIONAL LAMP GROUP



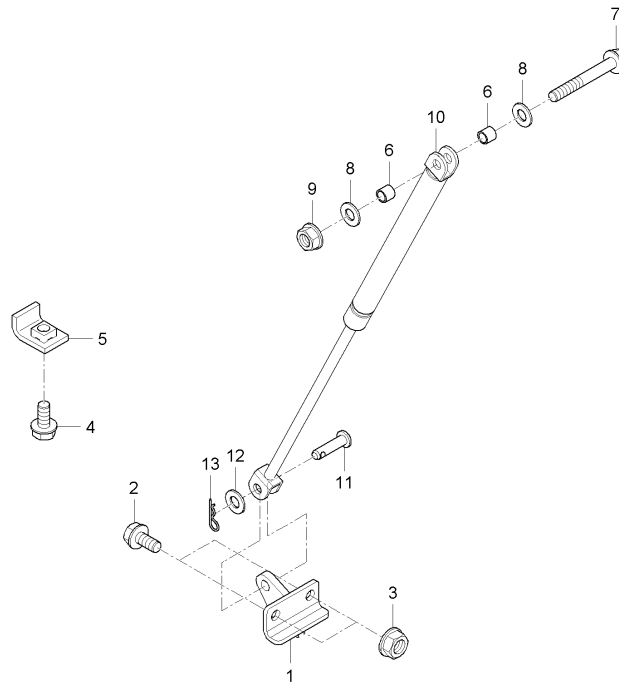
A : MEC2240SW-EU , B : MEC2240SA-EU , C : MEC2240ST-EU

No.	Part Number	Description	Q'TY					I.C	Remark
			A	B	C	D	E		
17	P7170-75951	HORN	1	1	1			<->	
17	T4144-75952	ASSY HORN	1	1	1			<->	
18	01754-50616B	FLANGE BOLT	1	1	1				
19	T2185-82561	BAND,CORD	2	2	2				
20	03054-50516B	BOLT	1	1	1				
21	T2198-82571	BAND	7	7	7				

---> Old replace New
 <-X-> Not interchangeable
 <-0-> Interchangeable with another part(s)
 <---- New replace Old
 <-> Interchangeable

U1-U1000A

Gas Spring GROUP



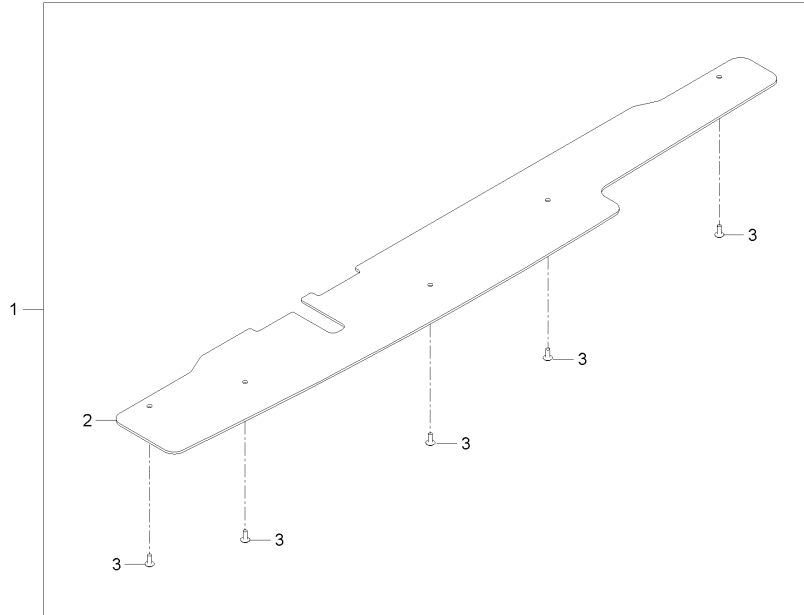
A : MEC2240SW-EU , B : MEC2240SA-EU , C : MEC2240ST-EU

No.	Part Number	Description	Q'TY					I.C	Remark
			A	B	C	D	E		
1	U3215-51421	BRKT, Gas Spring	1	1	1				
2	01774-51020	BOLT, FLANGE	2	2	2				M10P1.25
3	02771-50100	FLANGE NUT	2	2	2				M10*1.25
4	U3215-51431	BRACKET, STOPPER	1	1	1				
5	01754-50816	BOLT, FLANGE	1	1	1				M8*P1.25
6	U3215-51441	Collar, Gas Spring	2	2	2				
7	01173-51080	BOLT	1	1	1				M10*P1.25*80
8	04015-50100	WASHER, PLAIN	2	2	2				
9	02783-50100	FLANGE NUT	1	1	1				M10XP1.25
10	U3215-51411	GAS SPRING	1	1	1				
11	05122-51025	JOINT PIN	1	1	1				DIA10*25
12	04013-50100	WASHER, PLAIN	1	1	1				M10
13	05525-51000	PIN, SNAP	1	1	1				

----- Old replace New
 <-X-> Not interchangeable
 <-0-> Interchangeable with another part(s)
 ----- New replace Old
 ----- Interchangeable

U3214-GA10B

Guard Group



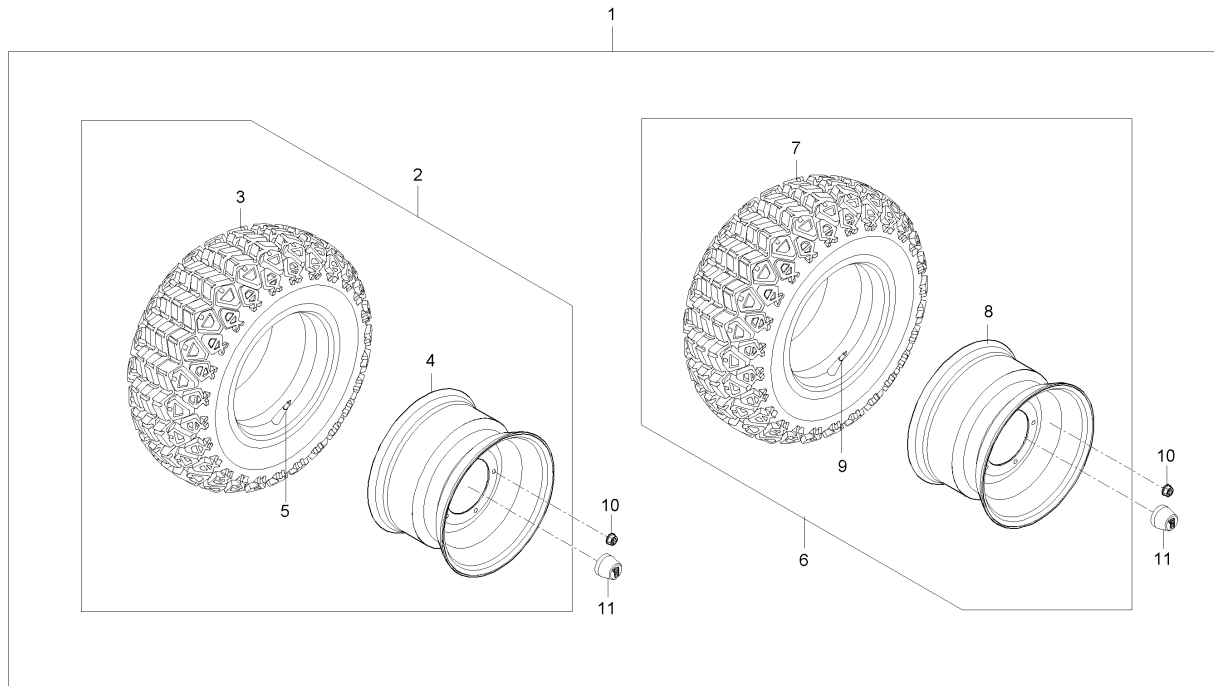
A : MEC2240SW-EU , B : MEC2240SA-EU , C : MEC2240ST-EU

No.	Part Number	Description	Q'TY					I.C	Remark
			A	B	C	D	E		
1	U3214-A1001	IP Guard	1	1	1				
2	U3214-A1011	IP Guard	1	1	1				
3	U3215-81552	Screw (Black)	5	5	5				

----> Old replace New
 <-X-> Not interchangeable
 <-0-> Interchangeable with another part(s)
 <---- New replace Old
 <-> Interchangeable

U1-U3290A

Wheel & Tire Group(OPT-WORK)



A : MEC2240SW-EU , B : MEC2240SA-EU , C : MEC2240ST-EU

No.	Part Number	Description	Q'TY					I.C	Remark
			A	B	C	D	E		
1	U3210-63102	ASSY, WHEEL&TIRE(WORK)	1	1	1				
1	U3210-63104	ASSY, WHEEL&TIRE(WORK)	1	1	1			<----	
2	U3210-63151	Wheel & Tire-FRT	4	4	4				
2	U3210-63352	WORK TIRE ASS'Y	4	4	4			<----	
3	U3210-63321	Tire-FRT (25X10 R12)	1	1	1				
3	U3210-63391	TIRE(25X10R12)	1	1	1			<----	
4	U3210-63121	Wheel-FRT	1	1	1				
4	U3210-63122	Wheel-FRT	1	1	1			<----	
5	U3210-63161	DIVIDER.CMP,FROW	1	1	1				
6	U3210-63171	Wheel & Tire-RR	2	2	2				
6	U3210-63351	WORK TIRE ASS'Y	2	2	2			<-0->	
7	U3210-63331	Tire-RR (25X11X R12)	1	1	1				
7	U3210-63391	TIRE(25X10R12)	1	1	1			<-0->	
8	U3210-63221	Wheel-RR	1	1	1				
8	U3210-63221	Wheel-RR	1	1	1			<-0->	
9	U3215-50801	NUT, LOCK	20	20	20				
9	U3215-50751	NUT WHEEL	20	20	20			<----	
10	04013-50100B	WASHER	20	20	20				
11	U3210-63342	Cap-Wheel	4	4	4				

----> Old replace New

<-X-> Not interchangeable

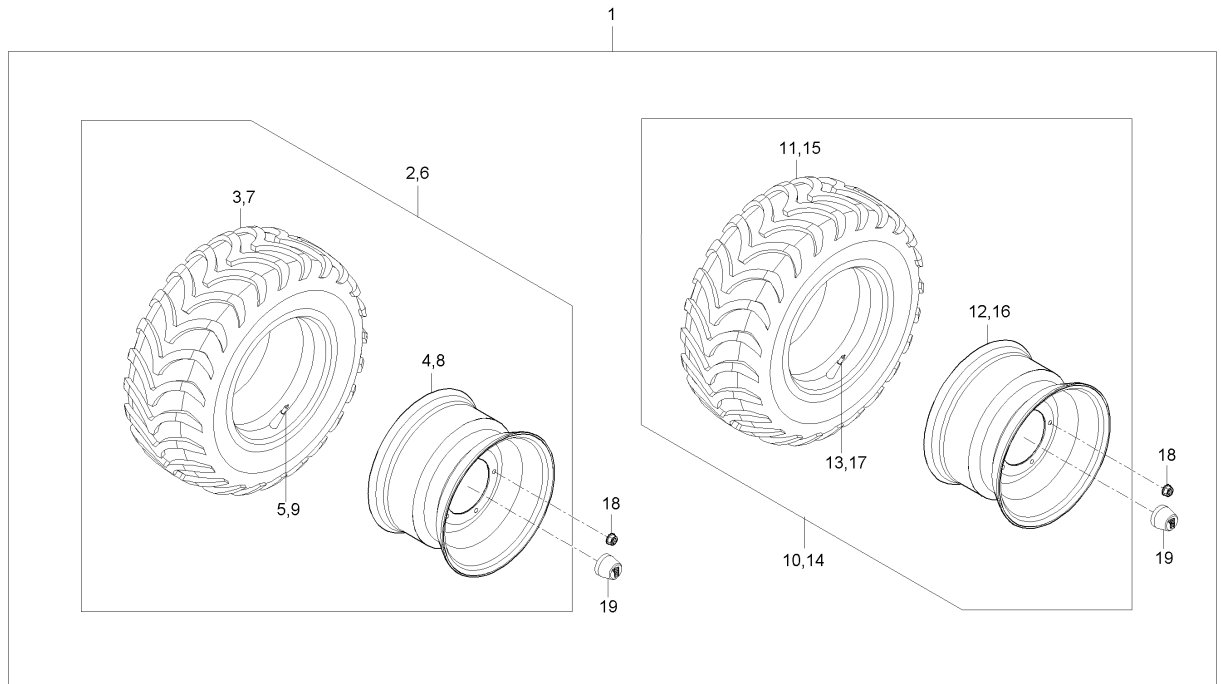
<-0-> Interchangeable with another part(s)

<----> New replace Old

<----> Interchangeable

U1-U3291A

Wheel & Tire Group(OPT-Mud)



A : MEC2240SW-EU , B : MEC2240SA-EU , C : MEC2240ST-EU

No.	Part Number	Description	Q'TY					I.C	Remark
			A	B	C	D	E		
1	U3210-63203	ASS'Y, WHEEL&TIRE(MUD)	1	1	1				
2	U3210-63251	Wheel & Tire Front - RH	2	2	2				
3	U3210-63111	Tire, FRT (25X10 R12)	1	1	1				
4	U3210-63121	Wheel-FRT	1	1	1				
5	U3210-63161	DIVIDER.CMP,FROW	1	1	1				
6	U3210-63241	Wheel & Tire Front - LH	2	2	2				
7	U3210-63111	Tire, FRT (25X10 R12)	1	1	1				
8	U3210-63121	Wheel-FRT	1	1	1				
9	U3210-63161	DIVIDER.CMP,FROW	1	1	1				
10	U3210-63271	Wheel & Tire Rear - RH	1	1	1				
11	U3210-63211	Tire, RR (25X11 R12)	1	1	1				
12	U3210-63221	Wheel-RR	1	1	1				
13	U3210-63161	DIVIDER.CMP,FROW	1	1	1				
14	U3210-63261	Wheel & Tire Rear - LH	1	1	1				
15	U3210-63211	Tire, RR (25X11 R12)	1	1	1				
16	U3210-63221	Wheel-RR	1	1	1				
17	U3210-63161	DIVIDER.CMP,FROW	1	1	1				
18	U3215-50801	NUT, LOCK	20	20	20				
19	U3210-63342	Cap-Wheel	4	4	4				

----> Old replace New

<-X-> Not interchangeable

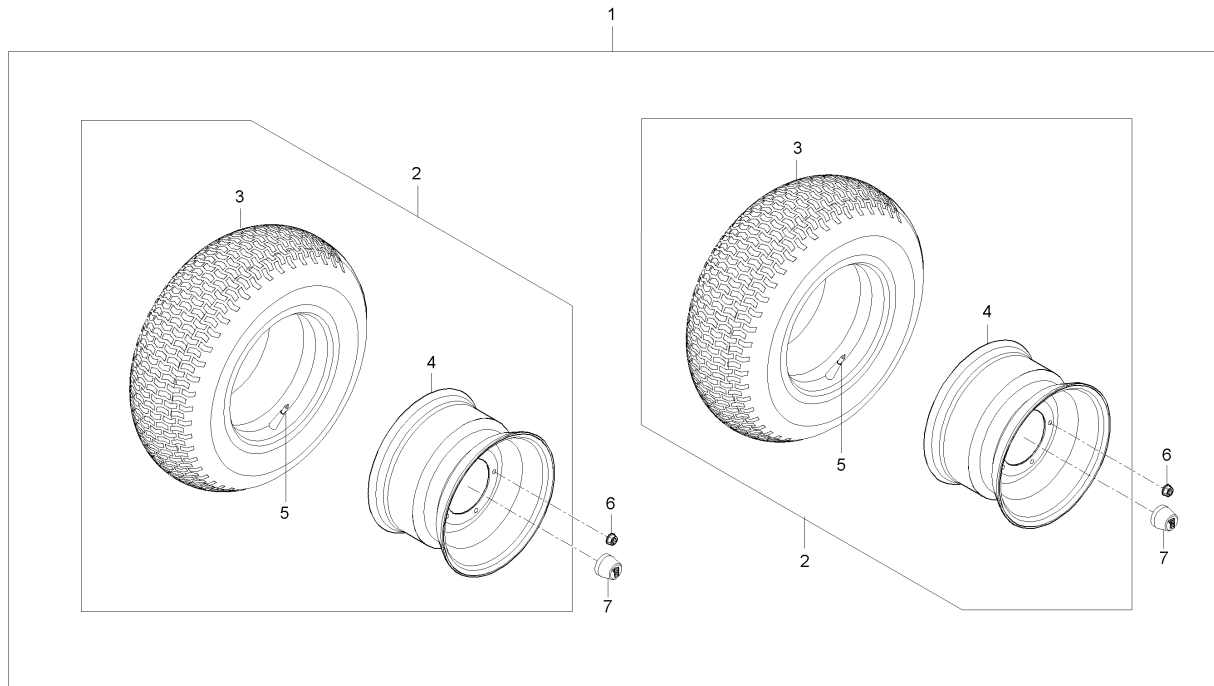
<-0-> Interchangeable with another part(s)

<---- New replace Old

<----> Interchangeable

U1-U3292A

Wheel & Tire Group(OPT-Turf)



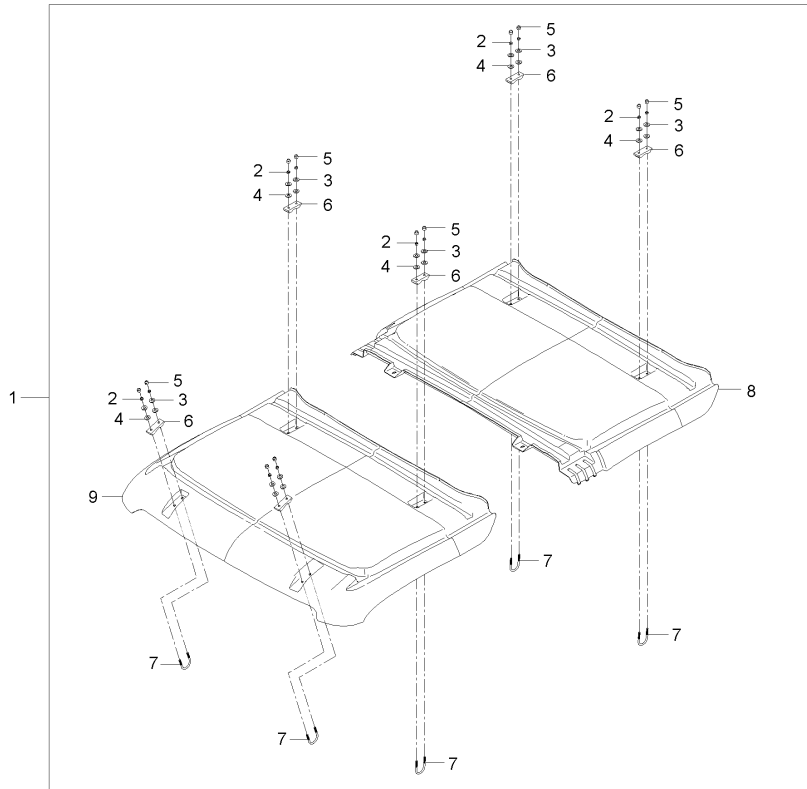
A : MEC2240SW-EU , B : MEC2240SA-EU , C : MEC2240ST-EU

No.	Part Number	Description	Q'TY					I.C	Remark
			A	B	C	D	E		
1	U3210-63303	ASSY, WHEEL&TIRE(TURF)	1	1	1				
2	U3210-63281	Wheel & Tire Front	4	4	4				
3	U3210-63411	TIRE, FRT(25X10 R12)	1	1	1				
4	U3210-63121	Wheel-FRT	1	1	1				
5	U3210-63161	DIVIDER.CMP,FROW	1	1	1				
6	U3215-50801	NUT, LOCK	20	20	20				
7	U3210-63342	Cap-Wheel	4	4	4				

----> Old replace New
 <-X-> Not interchangeable
 <-0-> Interchangeable with another part(s)
 <- - - - -> New replace Old
 <- - - - -> Interchangeable

U3305-GA10B

CANOPY GROUP



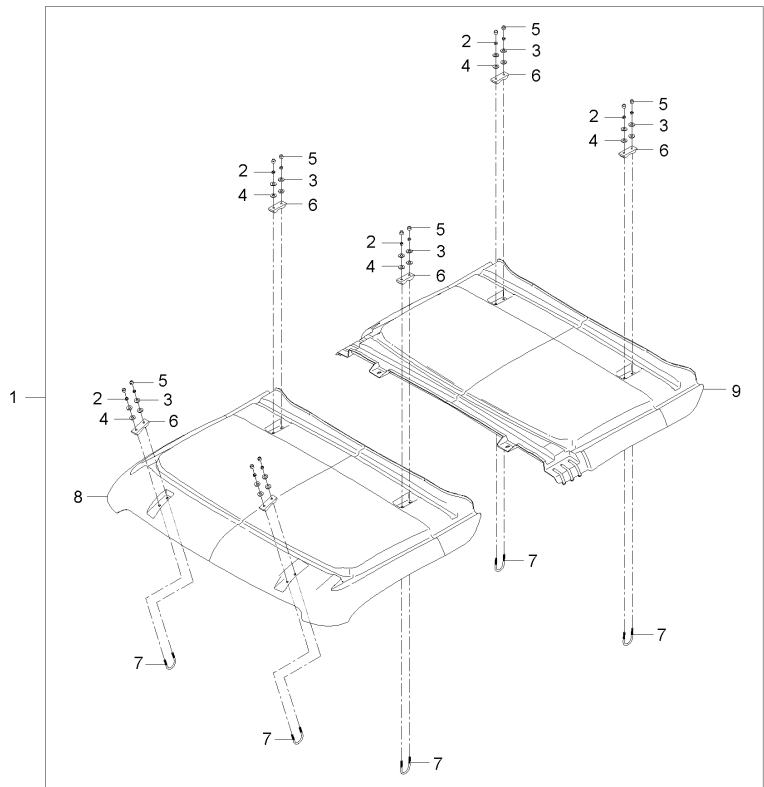
A : MEC2240SW-EU , B : MEC2240SA-EU , C : MEC2240ST-EU

No.	Part Number	Description	Q'TY					I.C	Remark
			A	B	C	D	E		
1	U3305-A1002	ASSY, Canopy	1	1	1				
2	02056-50080B	NUT	12	12	12				
3	04015-50080B	WASHER	12	12	12				
4	T4520-87402	PACKING, 1	12	12	12				
5	T4815-93211	NUT	12	12	12				
6	U3215-97721	CANOPY BUMPER	6	6	6				
7	U3215-97793	Bolt - U Type (M8)	6	6	6				
8	U3300-A1012	CANOPY	1	1	1				
9	U3300-A1032	CANOPY	1	1	1				

----- Old replace New
 <-X-> Not interchangeable
 <-0-> Interchangeable with another part(s)
 <----> Interchangeable

U3305-GA15A

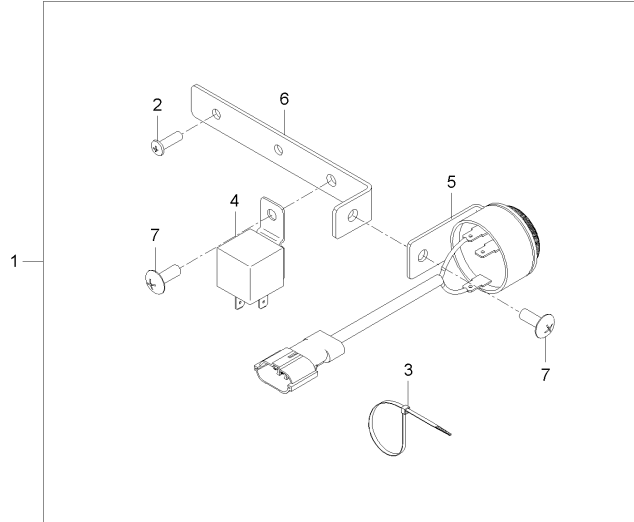
CANOPY GROUP



A : MEC2240SW-EU , B : MEC2240SA-EU , C : MEC2240ST-EU

No.	Part Number	Description	Q'TY					I.C	Remark
			A	B	C	D	E		
1	U3305-A1501	ASSY, Canopy		1					
2	02056-50080B	NUT		12					
3	04015-50080B	WASHER		12					
4	T4520-87402	PACKING, 1		12					
5	T4815-93211	NUT		12					
6	U3215-97721	CANOPY BUMPER		6					
7	U3215-97793	Bolt - U Type (M8)		6					
7	U3215-97794	Bolt - U Type (M8)		6				<----	
8	U3300-A1012	CANOPY		1					
9	U3300-A1032	CANOPY		1					

----- Old replace New
 <-X-> Not interchangeable
 <-O-> Interchangeable with another part(s)
 <---- New replace Old
 <---- Interchangeable



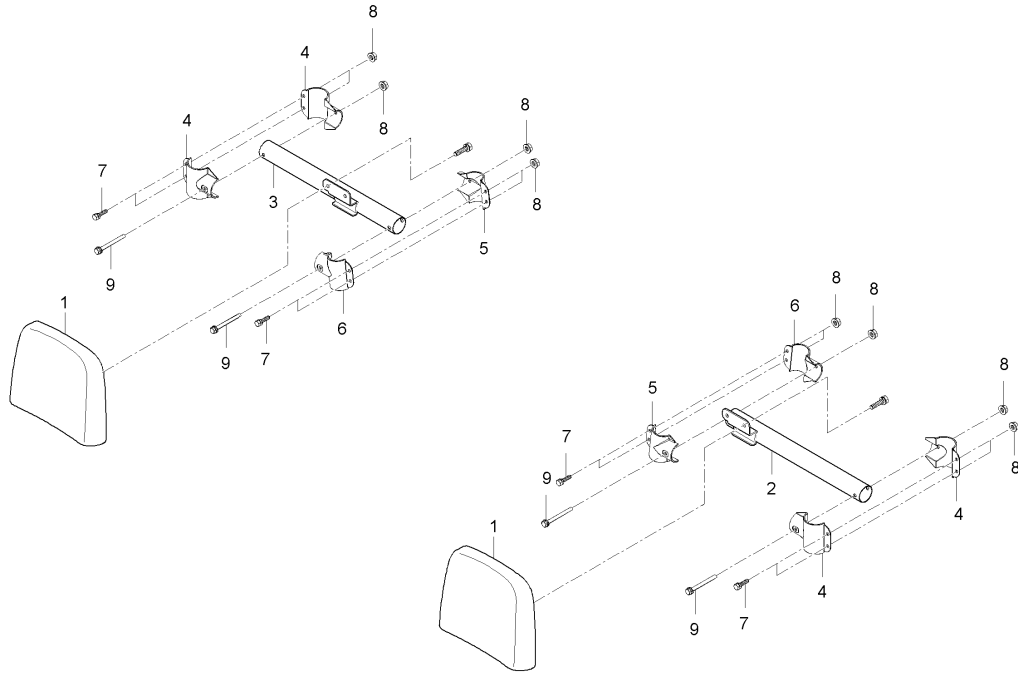
A : MEC2240SW-EU , B : MEC2240SA-EU , C : MEC2240ST-EU

No.	Part Number	Description	Q'TY					I.C	Remark
			A	B	C	D	E		
1	U3305-A5001	PARKING BRAKE BUZZER ASSY	1	1	1				
2	03054-50516B	BOLT	1	1	1				
3	T2185-82561	BAND,CORD	5	5	5				
4	T4180-69961	RELAY(5P)	1	1	1				
4	T5535-69961	RELAY(5P)	1	1	1			<---->	
5	U3210-47211	BUZZER	1	1	1				
6	U3210-69161	PARKING BUZZER BRKT ASSY	1	1	1				
7	U3215-81552	Screw (Black)	2	2	2				

----> Old replace New
 <-X-> Not interchangeable
 <-0-> Interchangeable with another part(s)
 <----> New replace Old
 <----> Interchangeable

U1-U3820A

HEAD REST GROUP



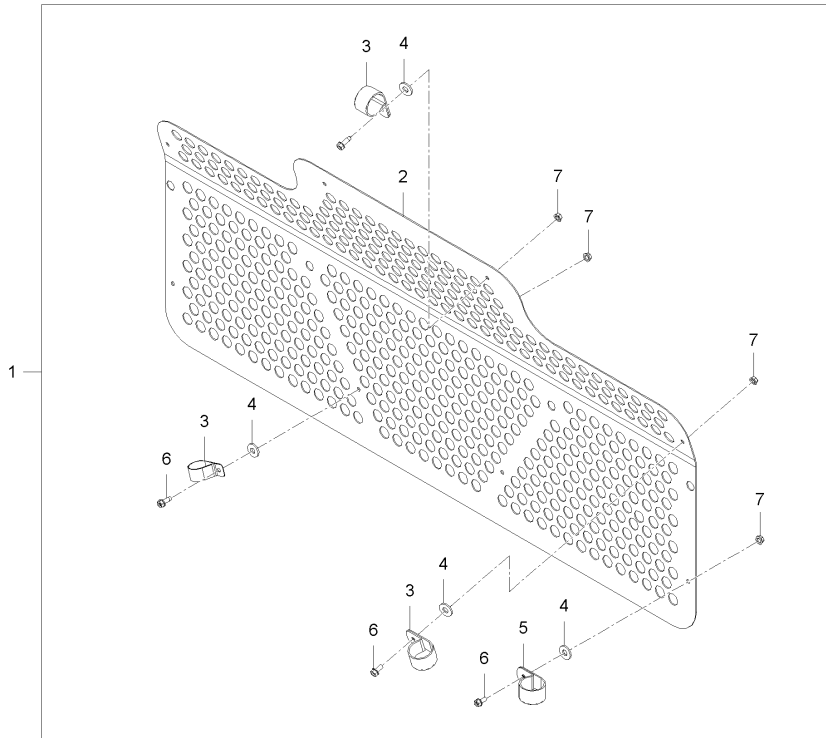
A : MEC2240SW-EU , B : MEC2240SA-EU , C : MEC2240ST-EU

No.	Part Number	Description	Q'TY					I.C	Remark
			A	B	C	D	E		
1	U3210-97601	KIT, Head Rest Assy	1	1	1				
1	U3210-97602	KIT, Head Rest Assy	1	1	1			<-0->	
2	U3215-97642	HEAD REST ASSY	2	2	2				
3	U3210-97661	Head Rest Bar Assy-RH	1	1	1				
4	U3215-97671	HEAD REST BAR CONNECT 2	4	4	4				
5	U3215-97681	HEAD REST BAR CONNECT 2	2	2	2				
6	U3215-97691	HEAD REST BAR CONNECT 3	2	2	2				
7	01754-50612B	FLANGE BOLT	12	12	12				
8	02761-50060B	FLANGE NUT	12	12	12				
9	01025-50655B	BOLT	4	4	4				

----> Old replace New
 <-X-> Not interchangeable
 <-0-> Interchangeable with another part(s)
 <---- New replace Old
 <----> Interchangeable

U1-U3830A

REAR SCREEN GROUP



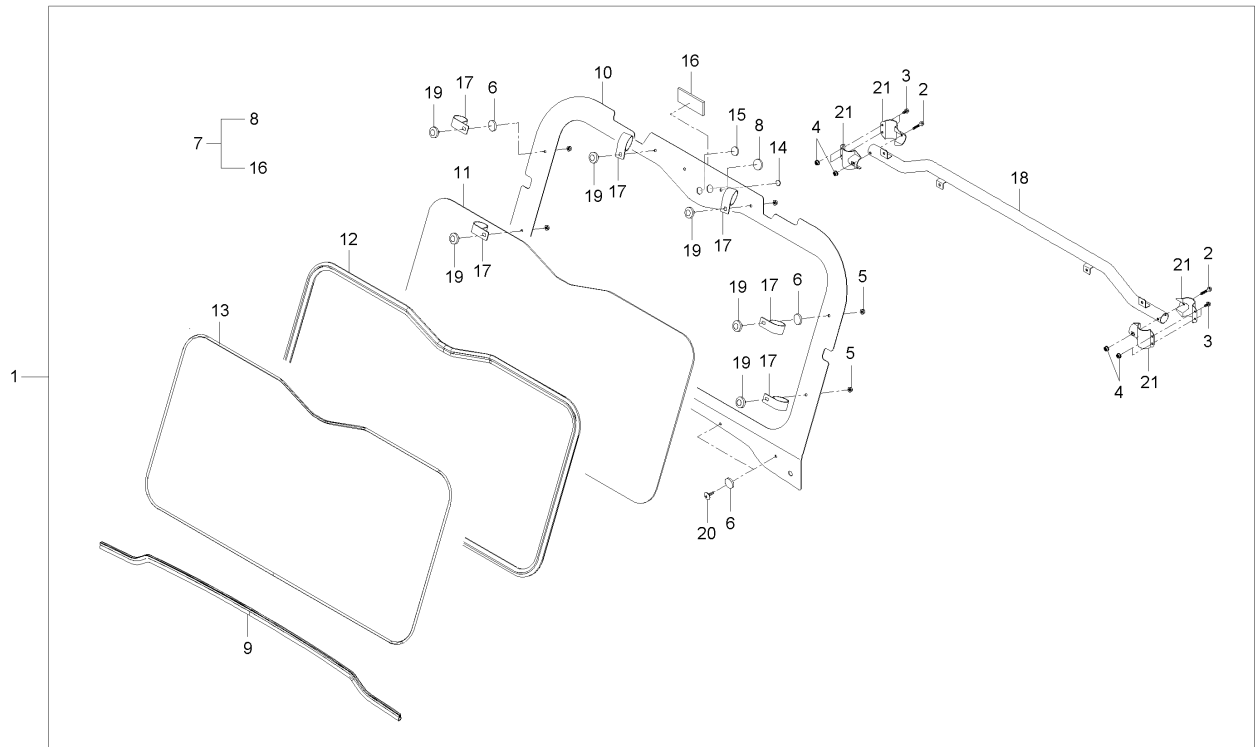
A : MEC2240SW-EU , B : MEC2240SA-EU , C : MEC2240ST-EU

No.	Part Number	Description	Q'TY					I.C	Remark
			A	B	C	D	E		
1	U3215-97916	ASSY, REAR SCREEN	1	1	1				
2	U3215-97926	MESH, GRILL	1	1	1				
3	U3215-97111	CLAMP	6	6	6				
4	T4520-87402	PACKING, 1	2	2	2				
5	T4686-50963	HOSE CLAMP	2	2	2				
6	01754-50816B	FLANGE BOLT	8	8	8				
7	02763-50080B	FLANGE NUT	8	8	8				

----> Old replace New
 <-X-> Not interchangeable
 <-0-> Interchangeable with another part(s)
 <---- New replace Old
 <----> Interchangeable

U1-U3931A

SAFTY GLASS GROUP



A : MEC2240SW-EU , B : MEC2240SA-EU , C : MEC2240ST-EU

No.	Part Number	Description	Q'TY					I.C	Remark
			A	B	C	D	E		
1	U3210-97302	SAFTY GLASS ASSY	1	1	1				
2	01025-50655B	BOLT	2	2	2				
3	01754-50612B	FLANGE BOLT	4	4	4				
4	02761-50060B	FLANGE NUT	6	6	6				
5	02763-50080B	FLANGE NUT	6	6	6				
6	T2610-80691	CUSHION	10	10	10				
7	U3210-97403	ASSY, WIND SHIELD	1	1	1				
8	T2395-84411	GROMMET	1	1	1				
9	U3210-50381	WEATHERSTRIP,FRONT LOW	1	1	1				
10	U3210-97422	PANEL,WIND SHIELD	1	1	1				
11	U3210-97431	WIND SHIELD GLASS	1	1	1				
12	U3210-97441	WEATHERSTRIP,WIND SHIELD	1	1	1				
13	U3210-97451	STOPPER,WEATHERSTRIP	1	1	1				
14	U3210-97461	GROMMET	2	2	2				
15	U3210-97471	GROMMET	1	1	1				
16	U3215-72781	INSULATION-DUCT,FRAME	1	1	1				
17	U3215-97111	CLAMP	6	6	6				
18	U3215-97122	WIND SHIELD CONNECT	1	1	1				
19	U3215-97151	BOLT, CAP	6	6	6				

----> Old replace New

<-X-> Not interchangeable

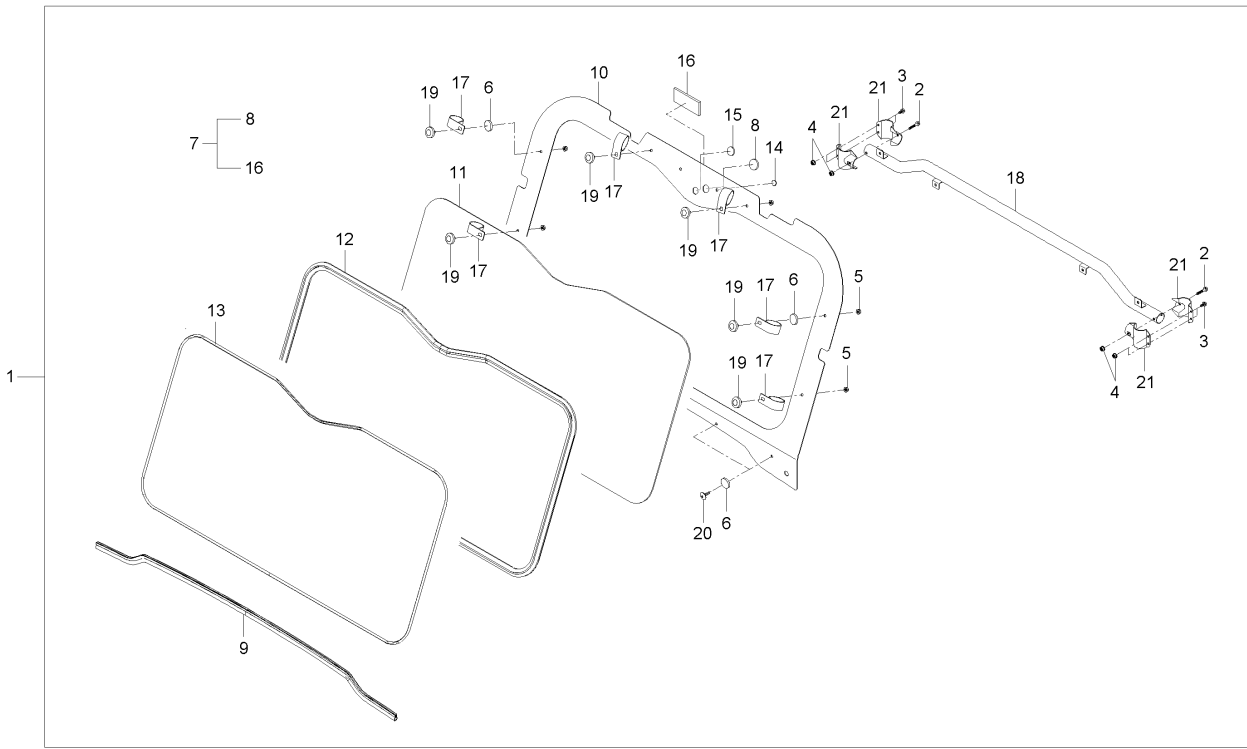
<-0-> Interchangeable with another part(s)

<---- New replace Old

<----> Interchangeable

U1-U3931A

SAFTY GLASS GROUP



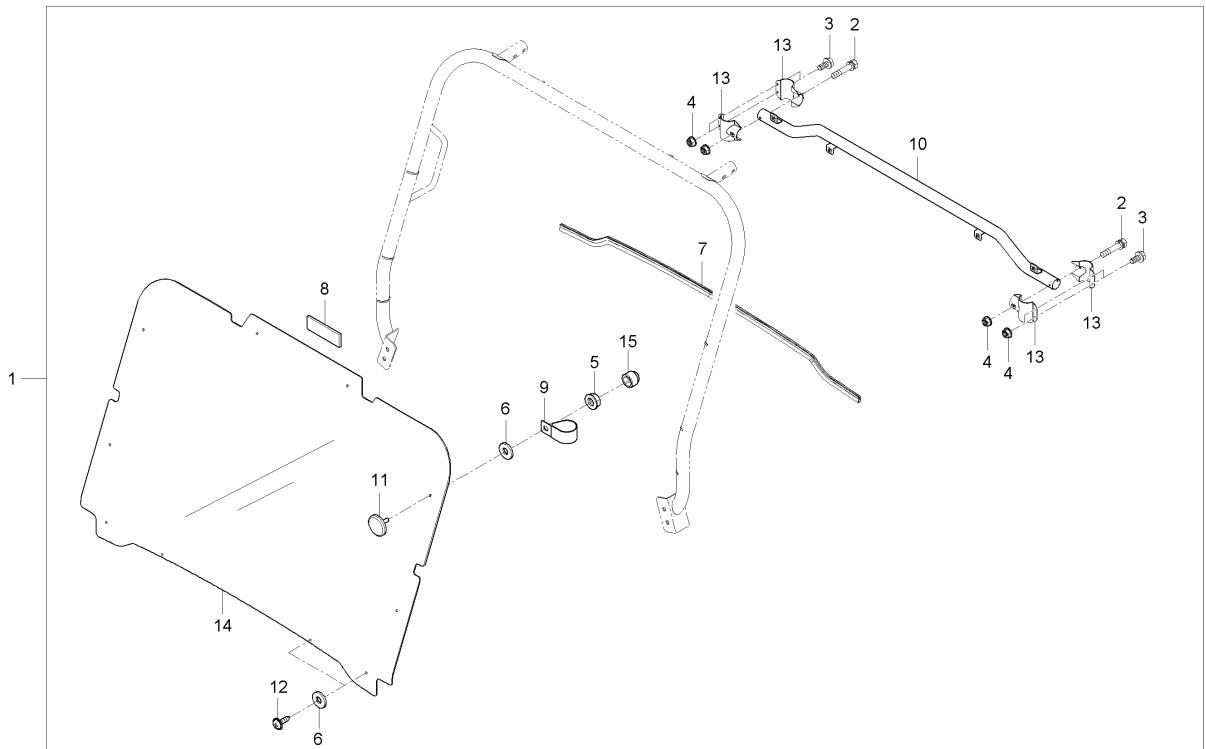
A : MEC2240SW-EU , B : MEC2240SA-EU , C : MEC2240ST-EU

No.	Part Number	Description	Q'TY					I.C	Remark
			A	B	C	D	E		
20	U3215-97161	SCREW	4	4	4				
21	U3215-97671	HEAD REST BAR CONNECT 2	4	4	4				

----- Old replace New
 <-X-> Not interchangeable
 <-0-> Interchangeable with another part(s)
 ----- New replace Old
 <-> Interchangeable

U1-U3932A

WIND SHIELD GROUP



A : MEC2240SW-EU , B : MEC2240SA-EU , C : MEC2240ST-EU

No.	Part Number	Description	Q'TY					I.C	Remark
			A	B	C	D	E		
1	U3217-97002	ASSY, WIND SHIELD	1	1	1				
2	01025-50655B	BOLT	2	2	2				
3	01754-50612B	FLANGE BOLT	4	4	4				
4	02761-50060B	FLANGE NUT	6	6	6				
5	02763-50080B	FLANGE NUT	6	6	6				
6	T2610-80691	CUSHION	10	10	10				
7	U3210-50381	WEATHERSTRIP,FRONT LOW	1	1	1				
8	U3215-72781	INSULATION-DUCT,FRAME	1	1	1				
9	U3215-97111	CLAMP	6	6	6				
10	U3215-97122	WIND SHIELD CONNECT	1	1	1				
11	U3215-97151	BOLT, CAP	6	6	6				
12	U3215-97161	SCREW	4	4	4				
13	U3215-97671	HEAD REST BAR CONNECT 2	4	4	4				
14	U3217-97102	WIND SHIELD GLASS	1	1	1				
15	T4815-93211	NUT	6	6	6				

----> Old replace New

<-X-> Not interchangeable

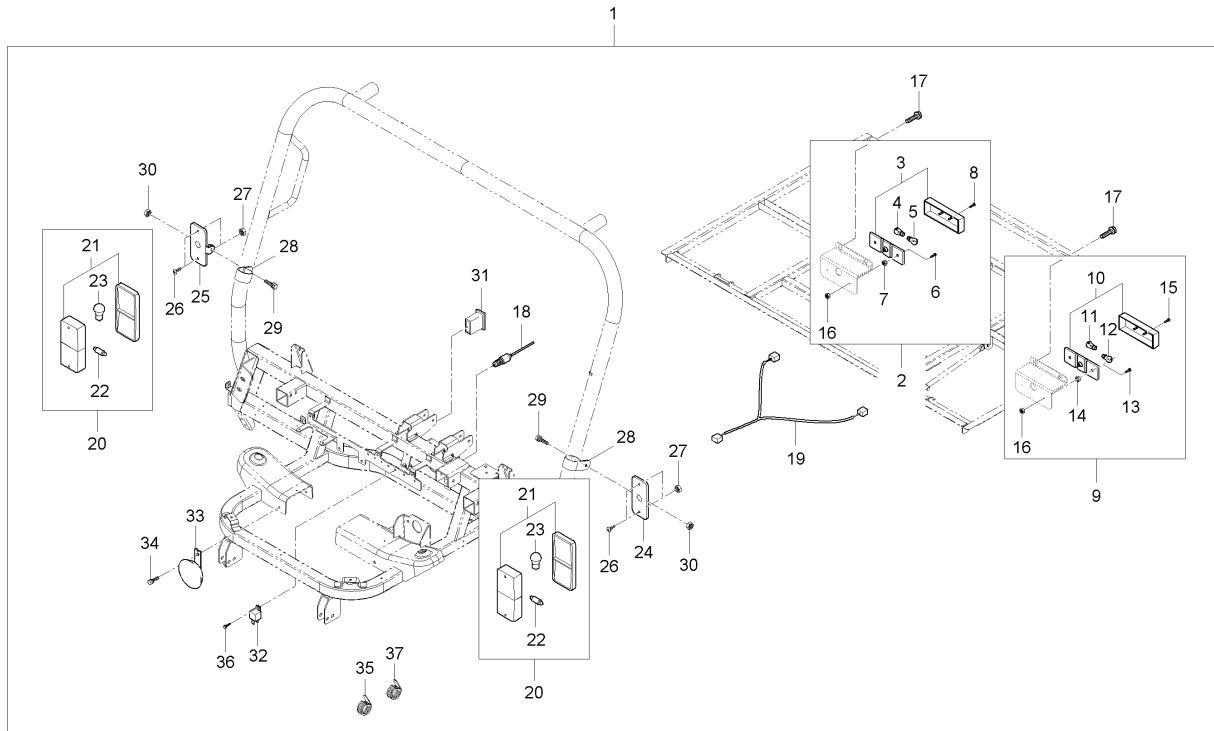
<-0-> Interchangeable with another part(s)

<---- New replace Old

<----> Interchangeable

U1-U3980A

OPTIONAL LAMP GROUP



A : MEC2240SW-EU , B : MEC2240SA-EU , C : MEC2240ST-EU

No.	Part Number	Description	Q'TY					I.C	Remark
			A	B	C	D	E		
1	U3210-61102	ASSY, SAFETY LAMP	1	1	1				
1	U3210-61103	ASSY, SAFETY LAMP	1	1	1			<----	
1	U3210-61104	ASSY, SAFETY LAMP	1	1	1			<----	
1	U3210-61105	ASSY, SAFETY LAMP	1	1	1			<----	
2	T2611-75882	REAR LAMP ASSY, RH	1	1	1				
3	T2611-75782	LAMP, REAR TAIL RH	1	1	1				
4	T2611-79021	BULB,LIGHT(27W)	1	1	1				
5	T2611-79011	BULB, 12VXP21W	2	2	2				
6	03024-50420	SCREW, WASHER	2	2	2				
7	02052-50040	NUT	2	2	2				
8	03054-50416	SCREW	2	2	2				M4*0.7
9	T2611-75892	REAR LAMP ASSY, LH	1	1	1				
10	T2611-75792	LAMP, REAR TAIL LH	1	1	1				
11	T2611-79021	BULB,LIGHT(27W)	1	1	1				
12	T2611-79011	BULB, 12VXP21W	2	2	2				
13	03024-50420	SCREW, WASHER	2	2	2				
14	02052-50040	NUT	2	2	2				
15	03054-50416	SCREW	2	2	2				M4*0.7
16	02761-50040B	FLANGE NUT	4	4	4				

----- Old replace New

<-X-> Not interchangeable

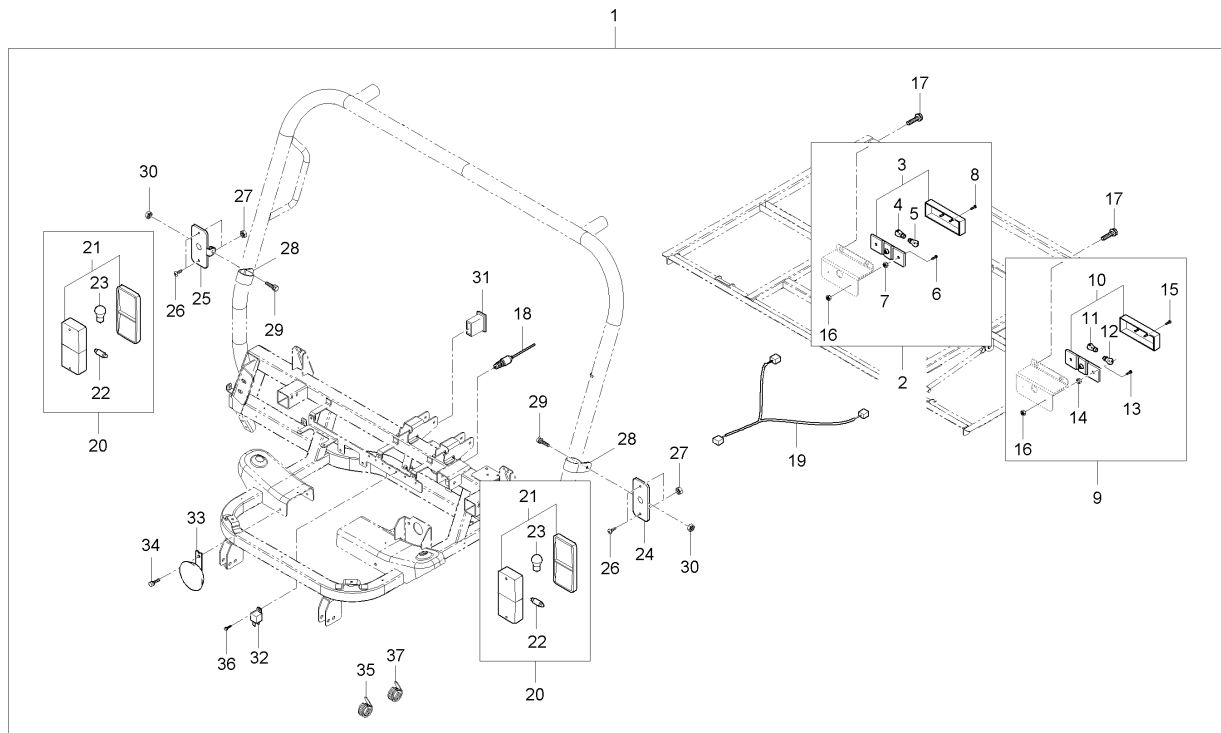
<-0-> Interchangeable with another part(s)

<----- New replace Old

<----- Interchangeable

U1-U3980A

OPTIONAL LAMP GROUP



A : MEC2240SW-EU , B : MEC2240SA-EU , C : MEC2240ST-EU

No.	Part Number	Description	Q'TY					I.C	Remark
			A	B	C	D	E		
17	01754-50625B	FLANGE BOLT	4	4	4				
18	T4520-41821	ASSY SWITCH,STOP	1	1	1				
19	U3210-60841	W/Harness-Rear Lamp	1	1	1				
20	T2185-69071	COMBI LIGHT ASSY, FR	2	2	2				
21	T2611-69061	LAMP, HAZARD	2	2	2				
22	T2611-79011	BULB, 12VXP21W	2	2	2				
23	T2611-79041	BULB, 12VXC5W	2	2	2				
24	U3215-60341	BRACKET, LH	1	1	1				
25	U3215-60351	BRACKET, RH	1	1	1				
26	03054-50412B	BOLT	4	4	4				
27	02761-50040B	FLANGE NUT	4	4	4				
28	U3215-97111	CLAMP	2	2	2				
29	01754-50816B	FLANGE BOLT	2	2	2				
30	02763-50080B	FLANGE NUT	2	2	2				
31	T4025-68351	SWITCH, EMERGENCY LAMP	1	1	1				
32	T4121-31053	FLASHER UNIT, SENSOR	1	1	1				
32	T4121-31054	FLASHER UNIT, SENSOR	1	1	1			<--->	
33	T2611-75951	ASSY HORN	1	1	1				
33	T4144-75952	ASSY HORN	1	1	1			<----	

----> Old replace New

<-X-> Not interchangeable

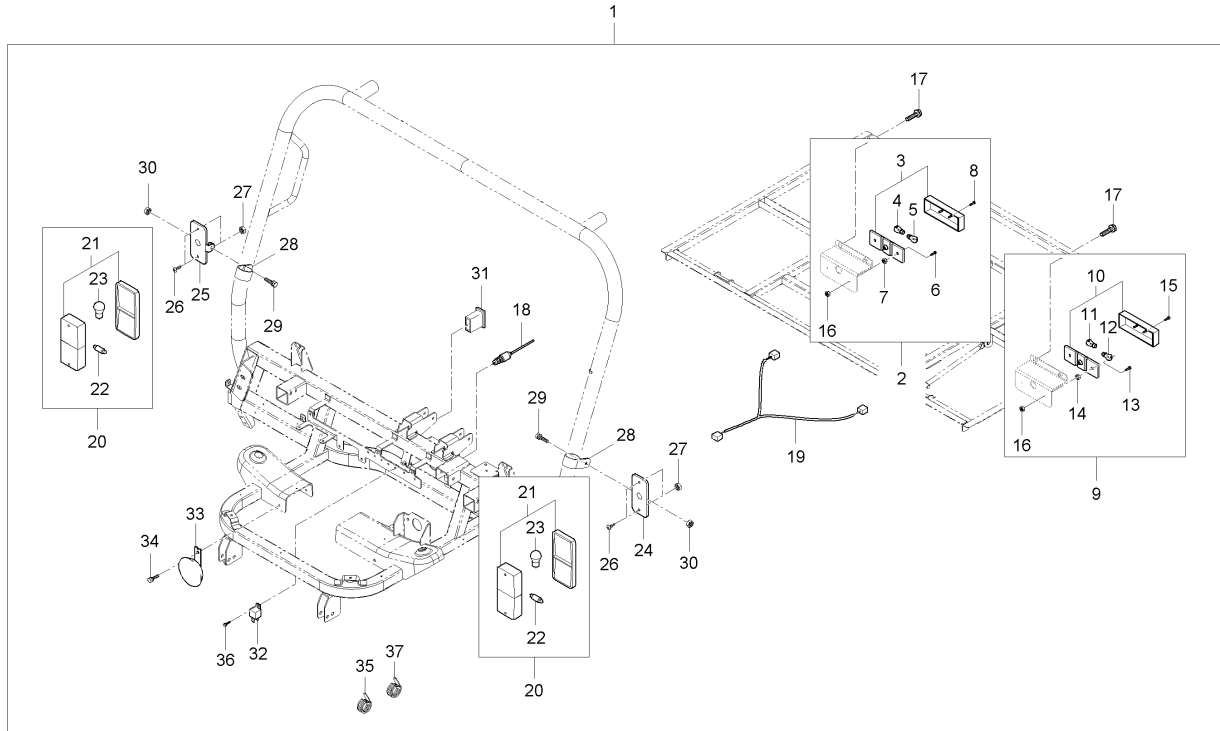
<-0-> Interchangeable with another part(s)

<---- New replace Old

<---> Interchangeable

U1-U3980A

OPTIONAL LAMP GROUP



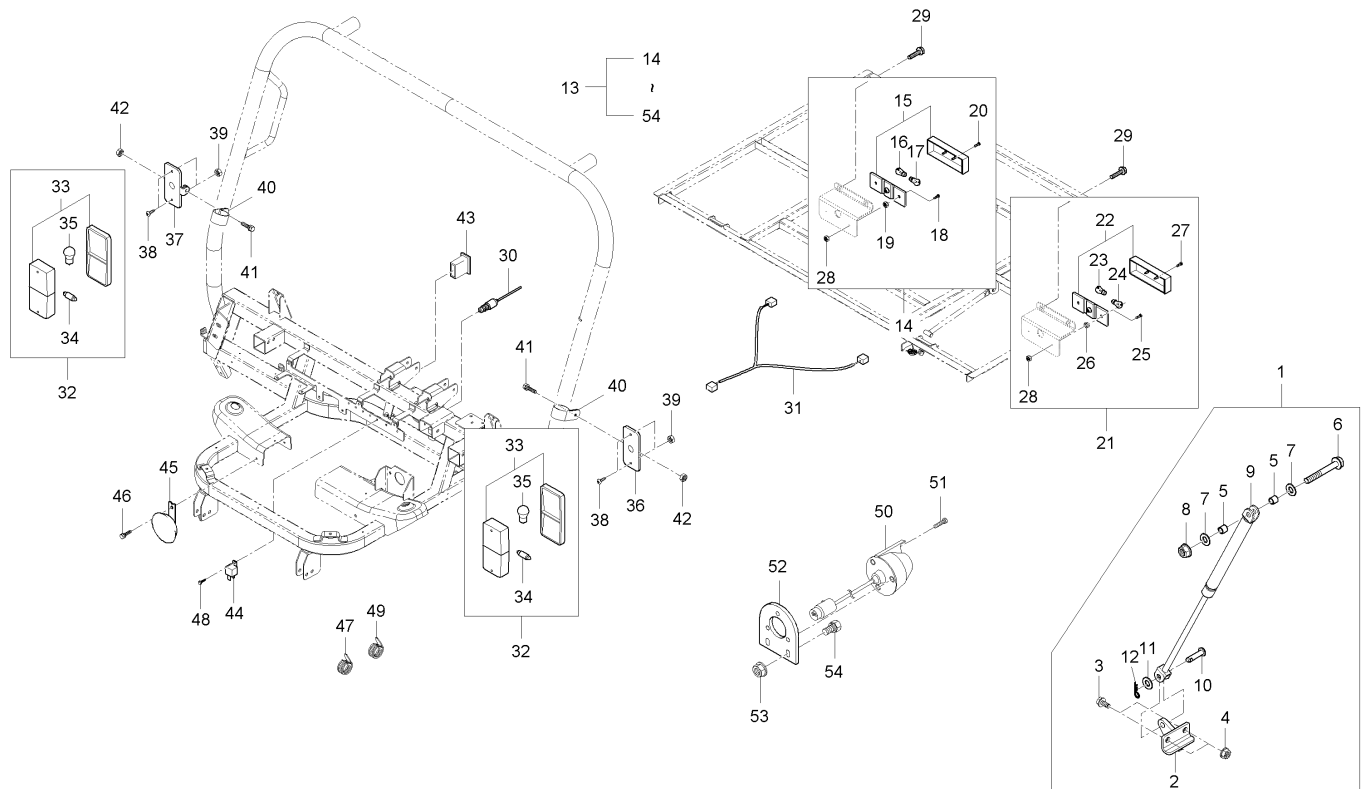
A : MEC2240SW-EU , B : MEC2240SA-EU , C : MEC2240ST-EU

No.	Part Number	Description	Q'TY					I.C	Remark
			A	B	C	D	E		
34	01754-50616B	FLANGE BOLT	1	1	1				
35	T2185-82561	BAND,CORD	2	2	2				
36	03054-50516B	BOLT	1	1	1				
37	T2198-82551	BAND,CORD	7	7	7				

----> Old replace New
 <-X-> Not interchangeable
 <-0-> Interchangeable with another part(s)
 <----> New replace Old
 <----> Interchangeable

U3-U3980A

OPTIONAL LAMP GROUP(OPT-EU)



A : MEC2240SW-EU , B : MEC2240SA-EU , C : MEC2240ST-EU

No.	Part Number	Description	Q'TY					I.C	Remark
			A	B	C	D	E		
1	U3215-51401	ASSY, GAS SPRING - OPT	1	1	1				
2	U3215-51421	BRKT, Gas Spring	1	1	1				
3	01774-51020	BOLT, FLANGE	2	2	2				M10P1.25
4	02771-50100	FLANGE NUT	2	2	2				M10*1.25
5	U3215-51441	Collar, Gas Spring	2	2	2				
6	01173-51080	BOLT	1	1	1				M10*P1.25*80
7	04015-50100	WASHER, PLAIN	2	2	2				
8	02783-50100	FLANGE NUT	1	1	1				M10XP1.25
9	U3215-51411	GAS SPRING	1	1	1				
10	05122-51025	JOINT PIN	1	1	1				DIA10*25
11	04013-50100	WASHER, PLAIN	1	1	1				M10
12	05525-51000	PIN, SNAP	1	1	1				
13	U3230-61101	ASSY, SAFETY LAMP(EU)	1	1	1				
14	T2611-75882	REAR LAMP ASSY, RH	1	1	1				
15	T2611-75782	LAMP, REAR TAIL RH	1	1	1				
16	T2611-79021	BULB,LIGHT(27W)	1	1	1				
17	T2611-79011	BULB, 12VXP21W	2	2	2				
18	03024-50420	SCREW, WASHER	2	2	2				
19	02052-50040	NUT	2	2	2				

----> Old replace New

<-X-> Not interchangeable

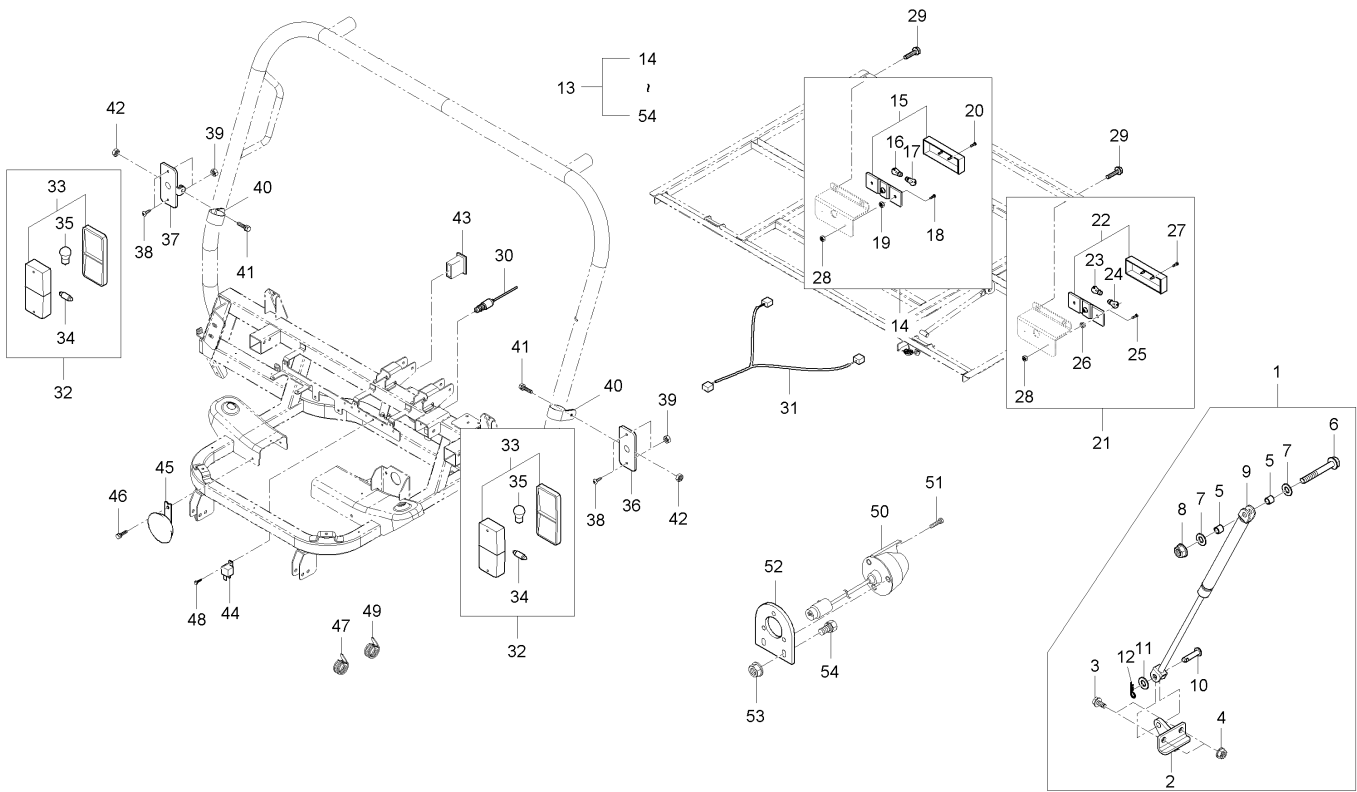
<-0-> Interchangeable with another part(s)

<---- New replace Old

<----> Interchangeable

U3-U3980A

OPTIONAL LAMP GROUP(OPT-EU)



A : MEC2240SW-EU , B : MEC2240SA-EU , C : MEC2240ST-EU

No.	Part Number	Description	Q'TY					I.C	Remark
			A	B	C	D	E		
20	03054-50416	SCREW	2	2	2				M4*0.7
21	T2611-75892	REAR LAMP ASSY, LH	1	1	1				
22	T2611-75792	LAMP, REAR TAIL LH	1	1	1				
23	T2611-79021	BULB,LIGHT(27W)	1	1	1				
24	T2611-79011	BULB, 12VXP21W	2	2	2				
25	03024-50420	SCREW, WASHER	2	2	2				
26	02052-50040	NUT	2	2	2				
27	03054-50416	SCREW	2	2	2				M4*0.7
28	02761-50040B	FLANGE NUT	4	4	4				
29	U3215-60171	COMBI LAMP BRACKET, RR	2	2	2				
30	01754-50625B	FLANGE BOLT	4	4	4				
31	T4520-41821	ASSY SWITCH,STOP	1	1	1				
32	U3230-60841	ASS'Y WIRE HARNESS, REAR COMBI LAMP	1	1	1				
33	T2185-69071	COMBI LIGHT ASSY, FR	2	2	2				
34	T2611-69061	LAMP, HAZARD	2	2	2				
35	T2611-79011	BULB, 12VXP21W	2	2	2				
36	T2611-79041	BULB, 12VXC5W	2	2	2				
37	U3215-60341	BRACKET, LH	1	1	1				
38	U3215-60351	BRACKET, RH	1	1	1				

----> Old replace New

<-X-> Not interchangeable

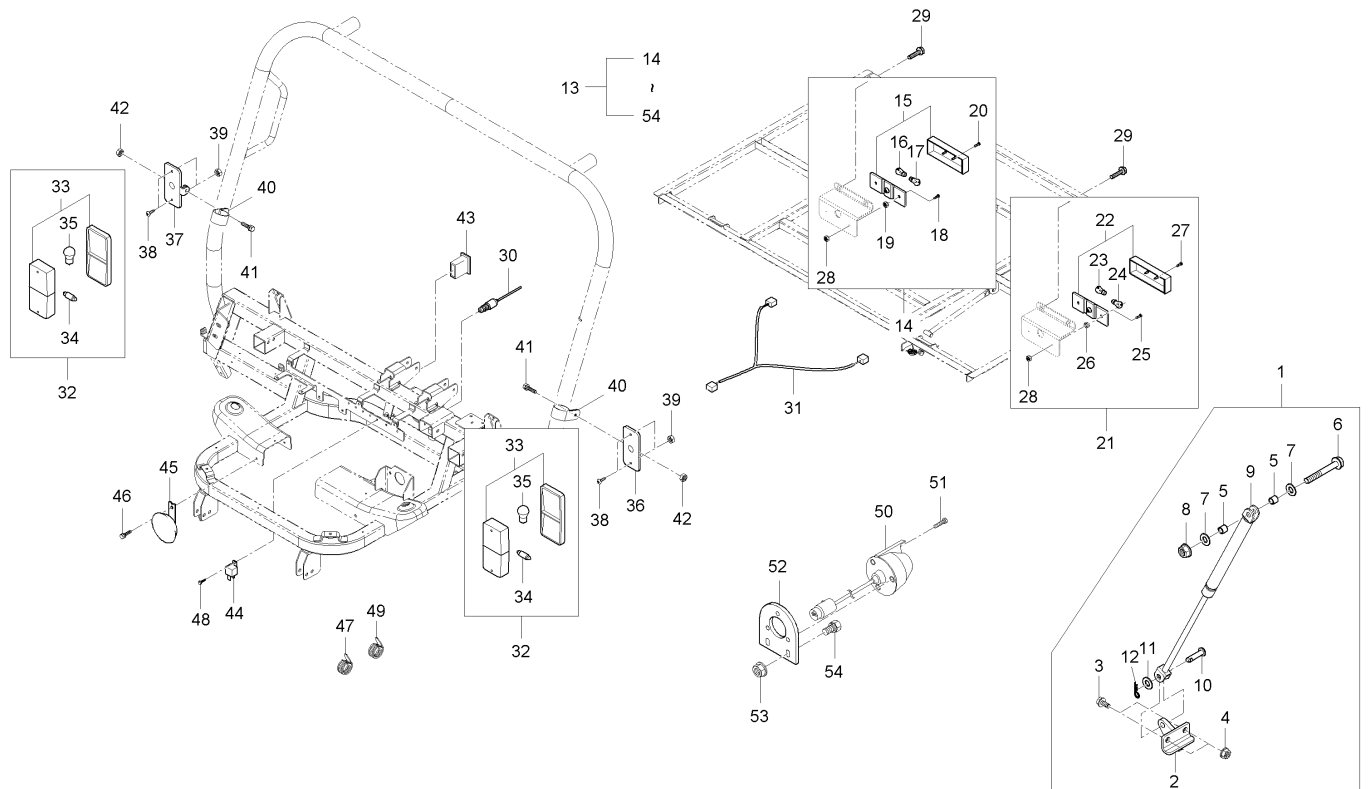
<-0-> Interchangeable with another part(s)

<---- New replace Old

<----> Interchangeable

U3-U3980A

OPTIONAL LAMP GROUP(OPT-EU)



A : MEC2240SW-EU , B : MEC2240SA-EU , C : MEC2240ST-EU

No.	Part Number	Description	Q'TY					I.C	Remark
			A	B	C	D	E		
39	03054-50412B	BOLT	4	4	4				
40	U3215-97111	CLAMP	2	2	2				
41	01754-50816B	FLANGE BOLT	2	2	2				
42	02763-50080B	FLANGE NUT	2	2	2				
43	T4025-68351	SWITCH, EMERGENCY LAMP	1	1	1				
44	T4121-31053	FLASHER UNIT, SENSOR	1	1	1				
44	T4121-31054	FLASHER UNIT, SENSOR	1	1	1			<--->	
45	T4144-75952	ASSY HORN	1	1	1				
46	01754-50616B	FLANGE BOLT	1	1	1				
47	T2185-82561	BAND,CORD	2	2	2				
48	03054-50516B	BOLT	1	1	1				
49	T2198-82551	BAND,CORD	7	7	7				
50	T2611-69933	7 PIN SOCKET	1	1	1				
51	03054-50540	BOLT	3	3	3				
52	T2185-95612	BRACKET, SOCKET 7PIN	1	1	1				
53	02763-50080B	FLANGE NUT	2	2	2				
54	01123-50816	BOLT, WASHER	2	2	2				M8*P1.25

----> Old replace New

<-X-> Not interchangeable

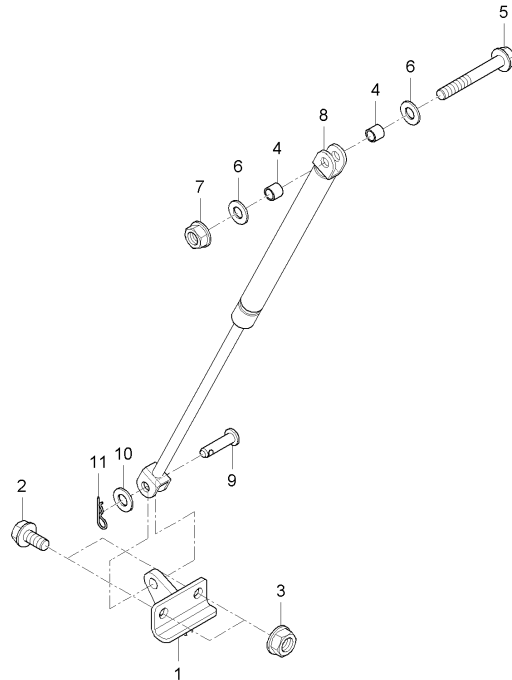
<-0-> Interchangeable with another part(s)

<---- New replace Old

<----> Interchangeable

U1-U4000A

Gas Spring GROUP-OPT



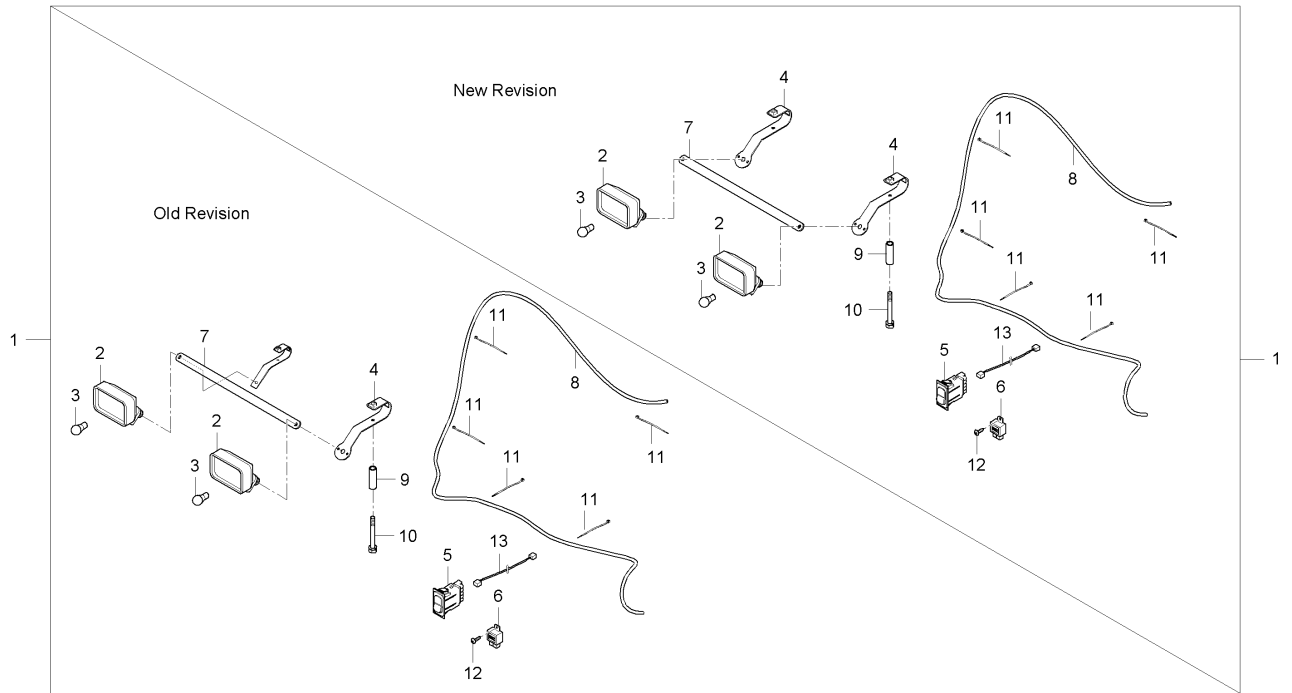
A : MEC2240SW-EU , B : MEC2240SA-EU , C : MEC2240ST-EU

No.	Part Number	Description	Q'TY					I.C	Remark
			A	B	C	D	E		
1	U3215-51421	BRKT, Gas Spring	1	1	1				
2	01774-51020	BOLT, FLANGE	2	2	2				M10P1.25
3	02771-50100	FLANGE NUT	2	2	2				M10*1.25
4	U3215-51441	Collar, Gas Spring	2	2	2				
5	01173-51080	BOLT	1	1	1				M10*P1.25*80
6	04015-50100	WASHER, PLAIN	2	2	2				
7	02783-50100	FLANGE NUT	1	1	1				M10XP1.25
8	U3215-51411	GAS SPRING	1	1	1				
9	05122-51025	JOINT PIN	1	1	1				DIA10*25
10	04013-50100	WASHER, PLAIN	1	1	1				M10
11	05525-51000	PIN, SNAP	1	1	1				

----> Old replace New
 <-X-> Not interchangeable
 <-0-> Interchangeable with another part(s)
 <---- New replace Old
 <----> Interchangeable

U1-U5660A

WORKING LAMP GROUP(OPTION)



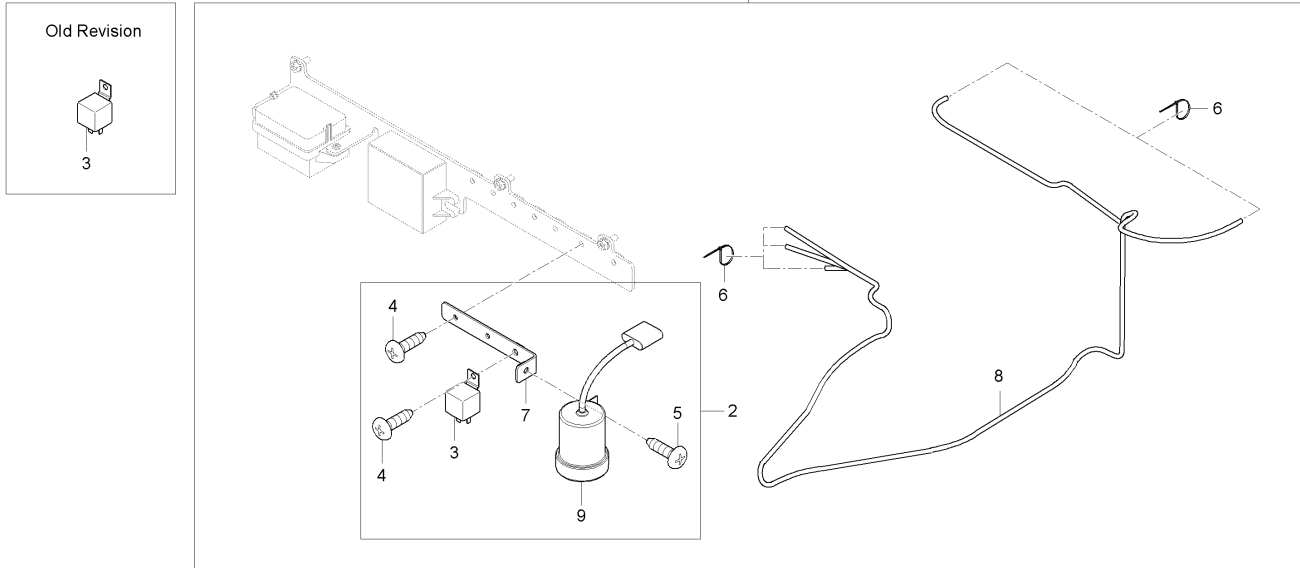
A : MEC2240SW-EU , B : MEC2240SA-EU , C : MEC2240ST-EU

No.	Part Number	Description	Q'TY					I.C	Remark
			A	B	C	D	E		
1	U3215-60304	WORKING LAMP KIT	1	1	1				
2	T4930-69802	WORKING LIGHT ASSY, FR	2	2	2				
3	T4620-69251	BULB, HALOGEN 12VX35W	1	1	1				
4	U3215-60362	WORKING LAMP CONN BRKT ASSY	2	2	2				
5	T4935-54221	SWITCH WORKING LAMP	1	1	1				
6	T4351-43101	ACCESSORY RELAY ASSY	1	1	1				
7	U3215-60381	GUADE, WORK LAMP BRACKET	1	1	1				
8	U3215-60391	ASSY WIRE HARNESS WORKING LAMP	1	1	1				
9	U3215-60401	BUSH	2	2	2				
10	01123-50865	BOLT, WASHER	2	2	2				
11	T2198-82561	BAND, CORD	7	7	7				
12	03054-50516	SCREW	1	1	1				
13	U3215-60411	ASS'Y WIRE HARNESS SWITCH	1	1	1				

----> Old replace New
 <-X-> Not interchangeable
 <-0-> Interchangeable with another part(s)
 <---- New replace Old
 <----> Interchangeable

U1-U5670A

PARKING LOCK BUZZER GROUP(OPTION)



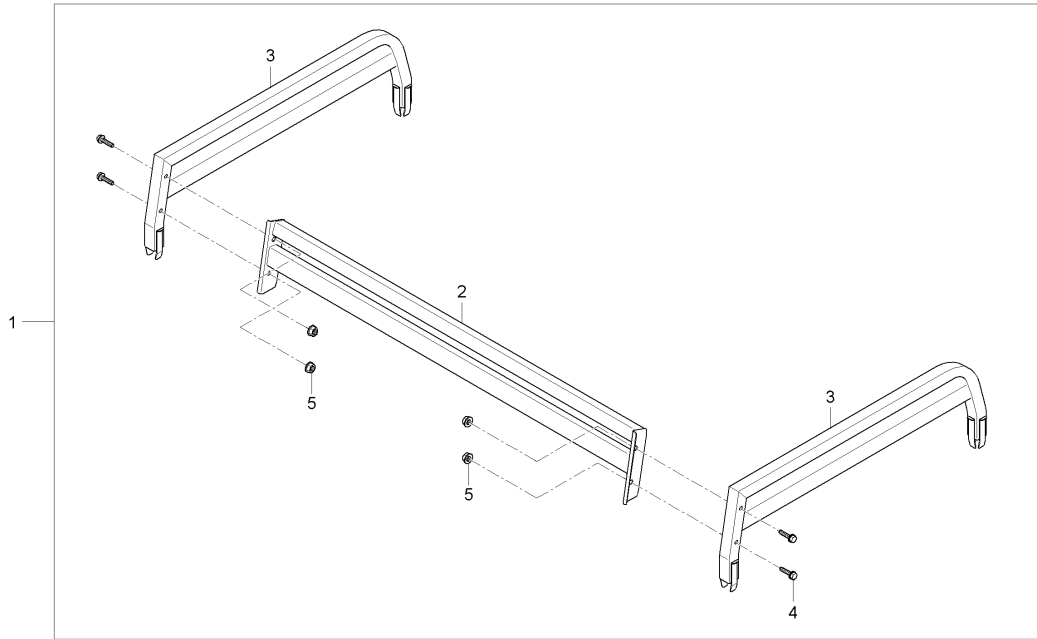
A : MEC2240SW-EU , B : MEC2240SA-EU , C : MEC2240ST-EU

No.	Part Number	Description	Q'TY					I.C	Remark
			A	B	C	D	E		
1	U3210-96164	PARKING BRAKE BUZZER KIT	1	1	1				
2	U3210-69144	PARKING BUZZER ASSY	1	1	1				
3	T4180-69961	RELAY(5P)	1	1	1				
3	T5535-69961	RELAY(5P)	1	1	1			<--->	
4	U3215-81552	Screw (Black)	2	2	2				
5	03054-50516B	BOLT	3	3	3				
6	T2185-82561	BAND,CORD	5	5	5				
7	U3210-69161	PARKING BUZZER BRKT ASSY	1	1	1				
8	U3215-69152	ASS'Y WIRE HARNESS BUZZER	1	1	1				
9	U3210-47211	BUZZER	1	1	1				

----> Old replace New
 <-X-> Not interchangeable
 <-0-> Interchangeable with another part(s)
 <----> New replace Old
 <----> Interchangeable

U1-U5920A

DECK EXTENSION GROUP(OPTION)



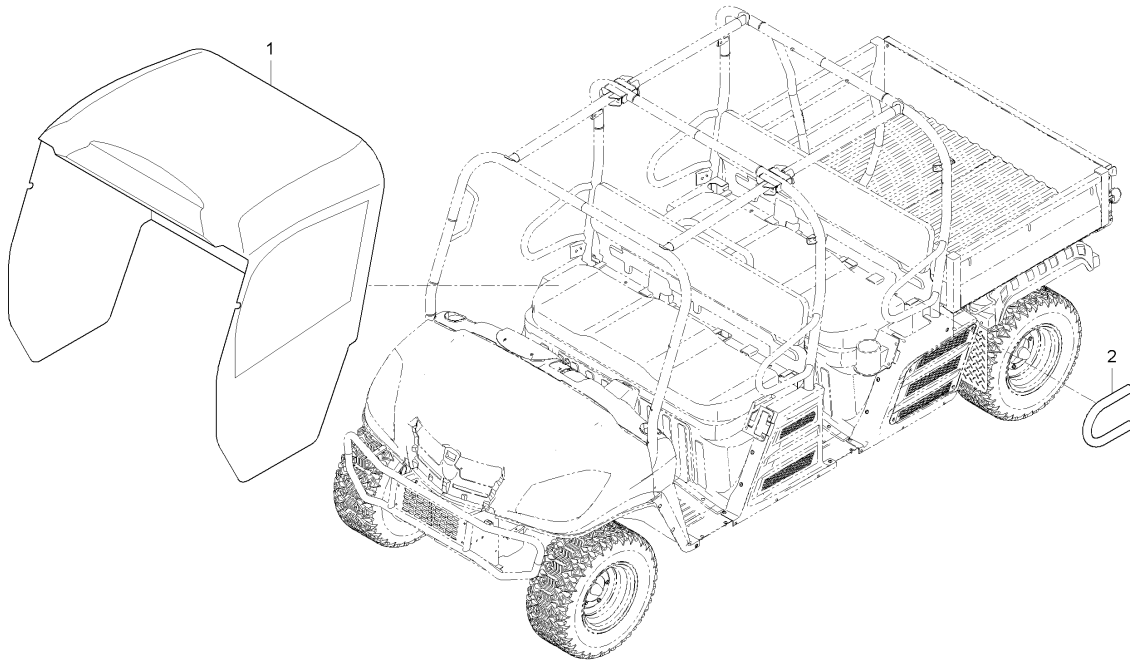
A : MEC2240SW-EU , B : MEC2240SA-EU , C : MEC2240ST-EU

No.	Part Number	Description	Q'TY					I.C	Remark
			A	B	C	D	E		
1	U3210-98901	DECK EXTENSION BAR ASSY	1	1	1				
2	U3210-98851	FRONT EXTENSION BAR ASSY	1	1	1				
3	U3210-98931	DECK SIDE EXTENSION BAR ASSY	2	2	2				
4	01774-51260	BOLT, FLANGE	4	4	4				
5	02783-50120	FLANGE NUT	4	4	4				

----> Old replace New
 <-X-> Not interchangeable
 <-0-> Interchangeable with another part(s)
 <---- New replace Old
 <----> Interchangeable

U1-U5972A

SOFT CABIN(OPTION-BLACK-KIOTI)



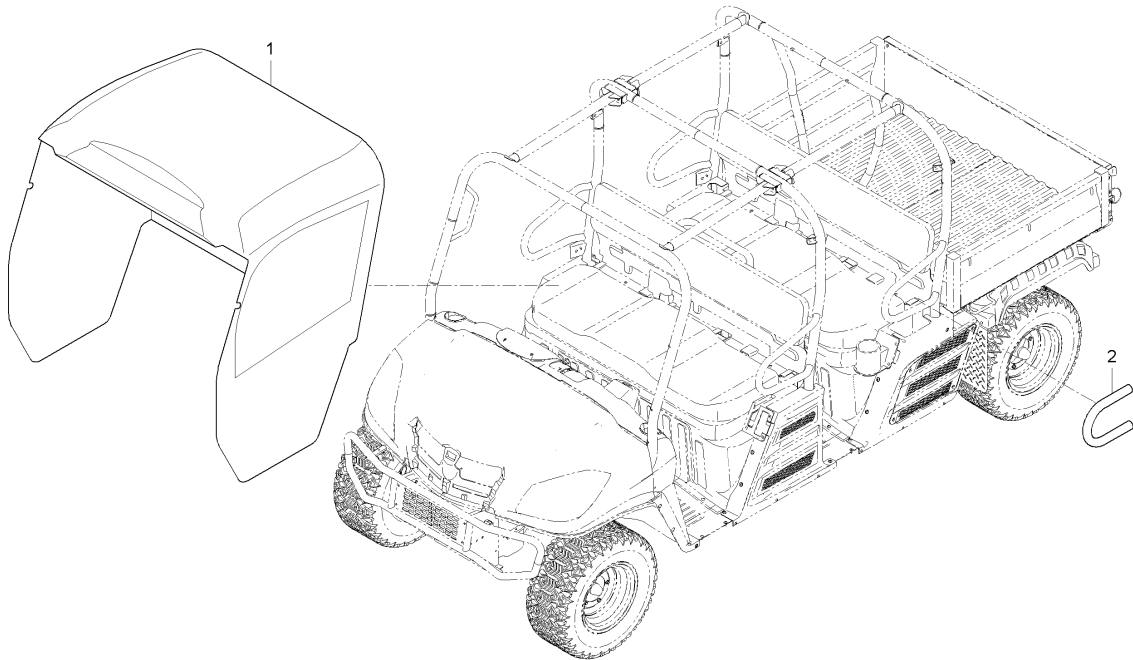
A : MEC2240SW-EU , B : MEC2240SA-EU , C : MEC2240ST-EU

No.	Part Number	Description	Q'TY					I.C	Remark
			A	B	C	D	E		
1	U3215-96751	SOFT CAB KIT, KIOTI BLACK	1	1	1				
2	U3215-96731	COVER	1	1	1				

----> Old replace New
 <-X-> Not interchangeable
 <-0-> Interchangeable with another part(s)
 <----> New replace Old
 <----> Interchangeable

U1-U5973A

SOFT CABIN(OPTION-DESERT-KIOTI)



A : MEC2240SW-EU , B : MEC2240SA-EU , C : MEC2240ST-EU

No.	Part Number	Description	Q'TY					I.C	Remark
			A	B	C	D	E		
1	U3215-96761	SOFT CAB KIT, CAMOUFLAGE	1	1	1				
2	U3215-96731	COVER	2	2	2				

----> Old replace New
 <-X-> Not interchangeable
 <-0-> Interchangeable with another part(s)

 <---- New replace Old
 <----> Interchangeable

INDEX 1

PART NO.	PAGE	PART NO.	PAGE	PART NO.	PAGE	PART NO.	PAGE	PART NO.	PAGE
01023-50610	26	01125-50830	32	01513-50822	4	01754-50820	78	02751-50060	19
01023-50612	17	01125-50830	43	01513-50822	17	01754-50820	90	02751-50060	20
01023-50614	13	01125-50830	89	01517-51028	15	01754-50820	96	02751-50060	69
01023-50616	23	01125-50830	99	01654-50618	13	01754-50820	145	02751-50080	139
01023-50616	90	01125-50840	90	01654-50820	3	01754-50822	10	02761-50040	16
01023-50616	142	01125-50855B	113	01754-50610	113	01754-50825	10	02761-50040B	94
01023-50618	1	01125-50860	81	01754-50612	21	01754-50825	127	02761-50040B	130
01023-50620	26	01125-50860	84	01754-50612	78	01754-50835	23	02761-50040B	148
01023-50625	6	01125-50860B	113	01754-50612	97	01754-50865B	139	02761-50040B	165
01023-50625	9	01125-50865	90	01754-50612B	122	01774-51020	84	02761-50040B	168
01023-50628	22	01125-50865	131	01754-50612B	123	01774-51020	150	02761-50050	112
01023-50630	6	01125-50870	84	01754-50612B	159	01774-51020	167	02761-50060	5
01023-50630	26	01125-50870	107	01754-50612B	161	01774-51020	171	02761-50060	8
01023-50635	68	01125-50870	109	01754-50612B	163	01774-51035	25	02761-50060	23
01023-50660	26	01125-50875	58	01754-50614B	141	01774-51045	25	02761-50060	68
01023-50665	5	01125-50895	89	01754-50616	21	01774-51045	57	02761-50060	69
01023-50665	8	01125-51035	90	01754-50616	25	01774-51260	175	02761-50060	70
01023-50670	5	01125-51035	93	01754-50616	67	01811-50610	78	02761-50060	75
01023-50670	8	01125-51060B	113	01754-50616	68	01811-50615	142	02761-50060	84
01023-50675	5	01127-50825	25	01754-50616	69	02014-50060	141	02761-50060	107
01023-50675	8	01133-51030	15	01754-50616	70	02052-50040	164	02761-50060	109
01025-50612	142	01133-51030	53	01754-50616	72	02052-50040	168	02761-50060	134
01025-50618	93	01133-51040	43	01754-50616	76	02052-50160	135	02761-50060	136
01025-50618	129	01133-51075	59	01754-50616	134	02054-50030	143	02761-50060B	98
01025-50620	32	01133-51230B	113	01754-50616	136	02054-50040	96	02761-50060B	103
01025-50635	72	01133-51240	56	01754-50616	139	02054-50080	91	02761-50060B	112
01025-50638	129	01133-51275	58	01754-50616B	94	02056-50060	18	02761-50060B	122
01025-50655B	122	01135-51020	58	01754-50616B	108	02056-50060	19	02761-50060B	123
01025-50655B	123	01135-51020	89	01754-50616B	109	02056-50060	26	02761-50060B	159
01025-50655B	159	01135-51025	51	01754-50616B	112	02056-50060	142	02761-50060B	161
01025-50655B	161	01135-51025	53	01754-50616B	124	02056-50080B	118	02761-50060B	163
01025-50655B	163	01135-51025	69	01754-50616B	149	02056-50080B	155	02763-50080	59
01027-50616	143	01135-51025	70	01754-50616B	166	02056-50080B	156	02763-50080	76
01053-50620	103	01135-51025B	125	01754-50616B	169	02056-50080B	157	02763-50080	84
01053-50655	141	01135-51030	53	01754-50620	19	02076-50160	172	02763-50080	97
01123-50814	23	01135-51030	58	01754-50625	61	02118-50100	59	02763-50080	98
01123-50816	4	01135-51035	48	01754-50625	107	02118-50100	69	02763-50080	99
01123-50816	41	01135-51230B	113	01754-50625	109	02118-50100	70	02763-50080	107
01123-50816	47	01153-50812	61	01754-50625B	94	02156-50080	4	02763-50080	109
01123-50816	169	01153-50822	68	01754-50625B	148	02156-50080	17	02763-50080	127
01123-50818	18	01153-50822	71	01754-50625B	165	02156-50080	59	02763-50080	133
01123-50818	102	01153-50855	76	01754-50625B	168	02156-50080	81	02763-50080B	84
01123-50822	92	01155-51020	33	01754-50625B	170	02156-50080	86	02763-50080B	94
01123-50822	133	01155-51020	34	01754-50812	61	02156-50080	92	02763-50080B	113
01123-50825	111	01155-51020	48	01754-50816	23	02156-50080	136	02763-50080B	123
01123-50830	18	01173-51055	55	01754-50816	69	02156-50080	145	02763-50080B	130
01123-50835	93	01173-51075	73	01754-50816	70	02174-50120	58	02763-50080B	141
01123-50845	99	01173-51080	150	01754-50816	78	02174-50120	145	02763-50080B	148
01123-50865	173	01173-51080	167	01754-50816	98	02176-50100	15	02763-50080B	160
01125-50816	23	01173-51080	171	01754-50816	103	02176-50100	55	02763-50080B	161
01125-50816	25	01176-51070	88	01754-50816	150	02176-50100	82	02763-50080B	163
01125-50818	84	01176-51245	126	01754-50816B	94	02176-50100	88	02763-50080B	165
01125-50820	51	01176-51675	172	01754-50816B	102	02176-50100	93	02763-50080B	169
01125-50820	57	01205-50612	78	01754-50816B	139	02176-50100	145	02763-50080B	170
01125-50820	88	01513-50614	6	01754-50816B	148	02176-50120	61	02771-50100	53
01125-50820	89	01513-50614	8	01754-50816B	160	02176-50120	89	02771-50100	150
01125-50825	68	01513-50618	6	01754-50816B	165	02176-50120B	124	02771-50100	167
01125-50825	72	01513-50618	18	01754-50816B	169	02372-50100	89	02771-50100	171
01125-50825	91	01513-50620	4	01754-50820	23	02376-50100	82	02771-50120	56
01125-50825	97	01513-50655	23	01754-50820	67	02376-50140	61	02783-50100	57

PART NO.	PAGE	PART NO.	PAGE	PART NO.	PAGE	PART NO.	PAGE	PART NO.	PAGE
02783-50100	74	04013-50100	88	04612-00170	90	05511-50218	111	09318-87040	78
02783-50100	90	04013-50100	89	04612-00180	13	05511-50318	82	09318-87051	78
02783-50100	150	04013-50100	150	04612-00180	17	05511-50318	89	09318-87051	98
02783-50100	167	04013-50100	167	04612-00190	17	05511-50325	61	09318-88080	16
02783-50100	171	04013-50100	171	04612-00190	92	05511-50435	51	09318-88080	97
02783-50120	58	04013-50100B	63	04612-00200	92	05511-50435	54	09318-88140	23
02783-50120	175	04013-50100B	152	04612-00240	36	05511-51612	142	09318-88180	12
02952-00060	61	04013-50120	58	04612-00250	51	05515-50600	102	09318-89035	96
03014-50608	26	04013-50120B	113	04612-00300	39	05515-51600	144	09318-89058	98
03016-50620	81	04013-50120B	124	04612-50080	102	05515-51600	172	09318-89063	61
03024-50414B	130	04013-50160	89	04714-00100	92	05525-50600	76	09318-89075	62
03024-50420	164	04013-50160	135	04717-01200	91	05525-50600	124	09500-35528	93
03024-50420	168	04013-50160	145	04717-01600	32	05525-50800	67	09550-00008	5
03024-50520	16	04013-50160	147	04717-01600	43	05525-50800	69	09550-00008	8
03054-50316	143	04013-50180	51	04717-01600	48	05525-50800	70	09661-40200	16
03054-50412B	57	04013-50200	144	04717-02000	32	05525-50800	74	1393A-9YX	60
03054-50412B	94	04014-50080	10	04724-00140	20	05525-50800	111	14911-4275-1	18
03054-50412B	148	04014-50100	76	04810-00140	93	05525-50800	146	14911-4275-1	31
03054-50412B	165	04015-50080	25	04810-00150	5	05525-50800	147	14911-4275-1	32
03054-50412B	169	04015-50080	74	04810-00150	8	05525-51000	150	14911-4275-1	34
03054-50416	164	04015-50080	99	04811-00060	20	05525-51000	167	14911-4275-1	43
03054-50416	168	04015-50080B	118	04811-00120	42	05525-51000	171	14911-4275-1	48
03054-50512	76	04015-50080B	155	04811-00120	112	05712-00408	2	14911-4275-1	55
03054-50516	74	04015-50080B	156	04811-00140	3	05712-00515	13	14911-4275-1	62
03054-50516	139	04015-50080B	157	04811-00140	93	05712-00515	14	14911-4275-1	78
03054-50516	173	04015-50100	150	04811-00150	42	05712-00515	25	14911-4275-1	97
03054-50516B	57	04015-50100	167	04811-00180	41	05712-00520	17	15121-5385-2	16
03054-50516B	94	04015-50100	171	04811-00180	47	06311-75015	1	15221-0175-1	4
03054-50516B	116	04111-50080	47	04811-00650	97	06311-75040	1	15221-3365-1	1
03054-50516B	134	04512-50040	96	04811-05140	6	06312-10020	1	15241-3695-2	5
03054-50516B	141	04512-50060	18	04811-06130	5	06331-35010	92	15241-3695-2	8
03054-50516B	149	04512-50060	26	04811-06130	8	06331-35016	32	15321-5216-1	17
03054-50516B	158	04512-50080	4	04811-10220	14	06331-35016	43	15321-9626-3	1
03054-50516B	166	04512-50080	17	04811-10290	97	06331-35016	48	15321-9626-3	4
03054-50516B	169	04512-50080	59	04811-10800	93	06331-35020	32	15371-4217-0	18
03054-50516B	174	04512-50080	61	04811-50300	12	06331-45012	91	15471-5798-1	19
03054-50540	169	04512-50080	86	04811-50600	51	06613-10675	81	15521-5642-1	22
04011-50100	69	04512-50080	92	04814-06310	20	07715-03213	5	15531-7242-2	79
04011-50100	70	04512-50080	136	05012-00609	1	07715-03213	8	15532-7243-2	79
04012-50050	16	04512-50080	145	05012-00814	1	07811-10820	19	31220-2639-2	44
04012-50080	67	04512-50100	15	05012-00818	32	07918-00001	19	31365-2278-1	40
04012-50080	74	04512-50100	55	05122-50650	107	08101-06005	51	34150-2156-1	37
04012-50080	91	04512-50100	82	05122-50650	109	08101-06204	35	34150-2156-1	39
04013-50050	134	04512-50100	88	05122-50818	69	08101-06204	36	34150-2939-1	97
04013-50060	26	04512-50100	145	05122-50818	70	08101-06204	37	34150-2939-1	113
04013-50060	76	04512-50120	58	05122-50845	67	08101-06205	35	34150-2939-1	139
04013-50060	142	04512-50120	89	05122-51022	73	08101-06205	39	34150-2939-1	146
04013-50060B	112	04512-50120	126	05122-51025	150	08101-06205	40	34220-1451-2	47
04013-50060B	124	04512-50120	145	05122-51025	167	08101-06304	40	35820-7556-1	134
04013-50080	23	04512-50160	172	05122-51025	171	08103-06004	17	36919-5665-1	134
04013-50080	59	04611-00320	90	05122-51880	172	08141-06002	90	37150-3447-1	97
04013-50080	81	04611-00400	90	05411-00420	19	08141-06203	90	37155-3447-1	25
04013-50080	86	04611-00450	50	05411-00430	44	08153-06004	17	37300-2648-1	44
04013-50080B	113	04611-00520	30	05411-00625	41	08241-05204	92	37300-2649-1	44
04013-50100	43	04611-00650	81	05411-00630	144	08711-30205	30	37300-2817-2	44
04013-50100	55	04611-00750	87	05411-00630	147	08812-83520	44	37800-4387-1	44
04013-50100	59	04612-00130	11	05411-00640	56	08822-02413	36	38240-1883-1	107
04013-50100	65	04612-00150	90	05411-00840	56	08822-52913	36	38240-1883-1	110
04013-50100	73	04612-00160	145	05511-50210	107	08822-53013	40	38240-2647-2	44
04013-50100	82	04612-00160	147	05511-50210	109	08822-53017	40	38245-2925-3	101

PART NO.	PAGE	PART NO.	PAGE	PART NO.	PAGE	PART NO.	PAGE	PART NO.	PAGE
38430-2155-1	37	E5500-33142	12	E5753-57281	19	E5760-73032	9	E6200-52142	18
38440-4424-0	30	E5500-33671	12	E5760-01751	4	E5760-73033	6	E6213-64012	25
38630-4329-2	45	E5500-33702	1	E5760-03141	4	E5760-73033	9	E6300-53005	16
41182-5151-1	73	E5500-35681	12	E5760-03314	4	E5760-73042	6	E6300-53021	16
41182-5151-1	147	E5500-39013	2	E5760-04043	10	E5760-73042	9	E6300-53621	16
44366-8221-2	59	E5500-51662	21	E5760-04053	10	E5760-73043	6	E6300-53651	16
52200-2523-1	93	E5500-73272	23	E5760-04063	10	E5760-73043	9	E6303-33661	3
52200-2523-1	133	E5500-74213	23	E5760-04114	5	E5760-73432	6	E6305-54221	19
52200-2523-1	144	E5603-52111	17	E5760-04132	5	E5760-73432	9	E6305-54281	19
52300-3413-1	73	E5700-01624	3	E5760-04133	8	E5760-73512	6	E6305-54421	19
53415-4128-1	103	E5700-12362	26	E5760-04361	10	E5760-73512	9	E6305-92021	19
82KC-0641	107	E5700-13332	11	E5760-04461	10	E5760-73551	6	E6305-93041	29
82KC-0641	110	E5700-14232	11	E5760-04811	10	E5760-73551	9	E6305-96652	19
84612-4315-1	96	E5700-15552	13	E5760-04822	10	E5760-74282	25	E6500-42413	17
84612-4393-0	96	E5700-21105	14	E5760-13111	11	E5760-A0205	5	E6510-05511	12
AA0000191	78	E5700-23252	14	E5760-13121	11	E5760-A0205	8	E6510-05552	12
C7130-23471	36	E5700-24252	13	E5760-14511	12	E5761-04541	10	E6510-05552	26
C7130-61781	102	E5700-32313	6	E5760-15111	13	E5763-13361	11	E6510-33661	12
C7280-89211	139	E5700-35012	1	E5760-16011	13	E5763-99503	29	E6820-60011	20
C7910-42204	136	E5700-35154	1	E5760-16171	17	E5763-A0013	1	E6850-57312	20
C7910-42205	136	E5700-35662	2	E5760-16211	18	E5763-A0304	4	E6850-57313	20
E1100-33752	3	E5700-36071	5	E5760-21001	14	E5770-03451	4	E7240-32731	24
E5205-03371	4	E5700-36071	8	E5760-21011	14	E5770-11821	26	E7310-36431	3
E5205-04561	10	E5700-36911	5	E5760-21051	14	E5770-14501	12	E8103-52111	17
E5205-13152	11	E5700-36911	8	E5760-21111	14	E5770-14502	12	EF15-0003A	1
E5205-13241	11	E5700-36932	5	E5760-21151	14	E5770-72531	25	K5400-14571	37
E5205-13542	4	E5700-36932	8	E5760-21311	14	E5775-04621	15	K5400-14572	37
E5205-13562	4	E5700-51016	17	E5760-22013	14	E5775-11762	26	K5400-14581	37
E5205-14241	11	E5700-51162	15	E5760-22143	14	E5775-12211	26	K5400-14591	37
E5205-16272	13	E5700-56413	22	E5760-22311	14	E5775-12311	26	P5370-29891	25
E5205-16321	17	E5700-56414	22	E5760-23011	14	E5775-25012	15	P7170-68212	141
E5205-16511	13	E5700-72922	23	E5760-23012	14	E5775-32111	3	P7170-75951	149
E5205-21331	14	E5700-73342	6	E5760-23471	2	E5775-52031	18	T2185-21661	37
E5205-21354	14	E5700-73342	9	E5760-23481	10	E5775-53711	16	T2185-21671	37
E5205-23311	14	E5700-73342	23	E5760-23531	10	E5775-53721	16	T2185-33651	134
E5205-23361	25	E5700-73352	23	E5760-23541	10	E5775-53731	16	T2185-43861	45
E5205-24012	13	E5700-73922	1	E5760-33111	20	E5775-73062	23	T2185-43871	45
E5205-24112	14	E5700-91094	3	E5760-36332	18	E5775-74121	25	T2185-43881	45
E5205-24281	13	E5700-A0021	17	E5760-36332	92	E5775-99011	27	T2185-43891	45
E5205-24321	13	E5743-25161	15	E5760-42502	16	E5775-A0072	3	T2185-43901	45
E5205-24361	13	E5752-14521	12	E5760-53001	16	E5776-99011	28	T2185-51462	107
E5205-24371	13	E5752-14522	12	E5760-54123	19	E5800-52111	17	T2185-51462	110
E5205-32091	5	E5752-14562	12	E5760-54263	20	E5800-73011	23	T2185-69071	94
E5205-32091	8	E5752-18171	7	E5760-56021	22	E5800-73052	6	T2185-69071	148
E5205-32291	5	E5752-18171	9	E5760-56052	22	E5800-73052	9	T2185-69071	165
E5205-32291	8	E5752-35692	3	E5760-56481	20	E5850-54252	20	T2185-69071	168
E5205-33961	1	E5752-36412	3	E5760-56602	20	E5850-54272	20	T2185-82561	94
E5205-36481	92	E5752-36422	3	E5760-57151	19	E5850-54282	20	T2185-82561	116
E5205-54271	20	E5752-74251ED	25	E5760-57482	21	E5850-54291	20	T2185-82561	130
E5205-72951	6	E5752-91031	5	E5760-63011	15	E5850-57112	19	T2185-82561	139
E5205-72951	9	E5752-91031	8	E5760-64423	23	E5850-57212	19	T2185-82561	149
E5205-73523	6	E5752-91141	15	E5760-64431	25	E5850-57212	20	T2185-82561	158
E5205-73523	9	E5752-91501	11	E5760-64441	25	E5850-57921	19	T2185-82561	166
E5205-73524	6	E5753-14001	11	E5760-64451	25	E5850-57922	19	T2185-82561	169
E5205-73524	9	E5753-14051	11	E5760-65511	16	E5850-92011	20	T2185-82561	174
E5205-73551	6	E5753-14111	11	E5760-65562	16	E5900-96021	1	T2185-95612	169
E5205-73551	9	E5753-14311	11	E5760-72872	7	E5900-96021	4	T2198-82551	68
E5205-73911	1	E5753-14351	11	E5760-72872	9	E5900-96031	1	T2198-82551	78
E5205-91021	1	E5753-14431	11	E5760-72913	23	E5900-96031	5	T2198-82551	94
E5250-63821	15	E5753-35681	2	E5760-73032	6	E5900-96031	8	T2198-82551	97

PART NO.	PAGE	PART NO.	PAGE	PART NO.	PAGE	PART NO.	PAGE	PART NO.	PAGE
T2198-82551	102	T2611-69933	169	T4351-43101	134	T4815-93211	155	U3210-29071	60
T2198-82551	146	T2611-75712	130	T4351-43101	141	T4815-93211	156	U3210-29141	60
T2198-82551	166	T2611-75721	130	T4351-43101	173	T4815-93211	157	U3210-29911	61
T2198-82551	169	T2611-75782	164	T4520-41821	95	T4815-93211	163	U3210-29953	61
T2198-82561	93	T2611-75782	167	T4520-41821	148	T4835-17241	124	U3210-34011	92
T2198-82561	131	T2611-75792	164	T4520-41821	165	T4850-45161	92	U3210-34021	93
T2198-82561	142	T2611-75792	168	T4520-41821	168	T4876-45162	133	U3210-34031	93
T2198-82561	143	T2611-75882	94	T4520-42421	49	T4920-70471	139	U3210-34041	91
T2198-82561	173	T2611-75882	148	T4520-43011	49	T4930-69802	173	U3210-34051	95
T2198-82571	149	T2611-75882	164	T4520-43021	49	T4931-48011	95	U3210-34061	92
T2240-26354	44	T2611-75882	167	T4520-43031	49	T4935-54221	173	U3210-34072	93
T2240-26355	44	T2611-75892	94	T4520-43041	49	T4935-54232	139	U3210-34111	93
T2305-25241	36	T2611-75892	148	T4520-43051	49	T4935-92502	100	U3210-34151	144
T2305-26061	45	T2611-75892	164	T4520-43061	50	T5210-32009	45	U3210-34161	93
T2305-26071	45	T2611-75892	168	T4520-43071	49	T5210-32010	45	U3210-34212	144
T2305-26081	45	T2611-75951	148	T4520-43081	49	T5210-37531	144	U3210-35611	58
T2305-44281	41	T2611-75951	165	T4520-43091	49	T5210-68552	142	U3210-35642	58
T2305-44281	47	T2611-79011	94	T4520-43111	49	T5210-68553	142	U3210-35661	58
T2350-11612	98	T2611-79011	165	T4520-43151	49	T5210-69401	135	U3210-35681	58
T2350-11631	98	T2611-79011	168	T4520-43171	49	T5270-69913	139	U3210-35711	58
T2350-11641	98	T2611-79021	94	T4520-43181	49	T5515-75172	100	U3210-35731	58
T2350-11651	98	T2611-79021	130	T4520-87402	118	T5517-77711	81	U3210-35751	58
T2350-13602006	79	T2611-79021	164	T4520-87402	155	T5520-75171	100	U3210-35771	58
T2350-13612	79	T2611-79021	168	T4520-87402	156	T5520-75191	100	U3210-35791	58
T2350-25361	30	T2611-79041	94	T4520-87402	157	T5535-69951	134	U3210-35811	58
T2350-42451	30	T2611-79041	165	T4520-87402	160	T5535-69961	116	U3210-35851	59
T2350-42461	30	T2611-79041	168	T4620-43122	49	T5535-69961	139	U3210-36051	57
T2350-42471	30	T2615-54112	105	T4620-50701	107	T5535-69961	158	U3210-36102	57
T2350-42481	30	T2615-54112	114	T4620-50701	110	T5535-69961	174	U3210-36103	57
T2350-42491	30	T2670-60091	124	T4620-66161	144	T8101-75520	39	U3210-36111	57
T2350-42751	30	T4025-68301	100	T4620-69251	141	T8101-75530	39	U3210-36112	57
T2350-42761	30	T4025-68351	95	T4620-69251	173	T8101-75540	39	U3210-36311	57
T2350-42771	30	T4025-68351	148	T4620-75191	100	U1-U0980A	94	U3210-36351	57
T2350-42781	30	T4025-68351	165	T4625-52351	105	U3210-06204	37	U3210-36514	113
T2350-42791	30	T4025-68351	169	T4625-52351	114	U3210-19021	52	U3210-47211	116
T2350-42801	30	T4121-31052	148	T4625-52361	105	U3210-19041	51	U3210-47211	158
T2350-55454	89	T4121-31053	95	T4625-52361	114	U3210-19071	51	U3210-47211	174
T2350-55462	89	T4121-31053	148	T4682-25732	96	U3210-19081	51	U3210-50381	161
T2350-69551	137	T4121-31053	165	T4682-43132	49	U3210-19211	53	U3210-50381	163
T2350-69571	137	T4121-31053	169	T4682-43172	96	U3210-19212	53	U3210-50511	82
T2350-76021	92	T4121-31054	95	T4682-43561	32	U3210-19271	53	U3210-50511	87
T2350-76031	92	T4121-31054	148	T4682-43571	32	U3210-19291	53	U3210-52105	81
T2350-76041	92	T4121-31054	165	T4682-43581	33	U3210-19292	53	U3210-52505	82
T2368-69024	100	T4121-31054	169	T4682-69401	135	U3210-19421	54	U3210-54002	88
T2368-69025	100	T4144-75952	95	T4686-50963	78	U3210-19461	54	U3210-54102	88
T2368-76001	92	T4144-75952	149	T4686-50963	160	U3210-19471	54	U3210-55005	86
T2380-50272	102	T4144-75952	165	T4711-33611	134	U3210-19481	54	U3210-55105	86
T2380-87132	92	T4144-75952	169	T4715-47071	144	U3210-19612	56	U3210-55505	86
T2395-84411	161	T4144-85721	112	T4810-21621	45	U3210-19681	56	U3210-55605	86
T2610-22661	37	T4180-69951	134	T4810-46962	144	U3210-21641	84	U3210-59123	89
T2610-80691	123	T4180-69961	116	T4810-46971	144	U3210-26202	90	U3210-59151	89
T2610-80691	139	T4180-69961	134	T4810-69251	143	U3210-27101	84	U3210-59162	90
T2610-80691	161	T4180-69961	139	T4815-65511	69	U3210-27522	84	U3210-59413	89
T2610-80691	163	T4180-69961	158	T4815-65511	70	U3210-27601	84	U3210-59421	89
T2611-29852	172	T4180-69961	174	T4815-67371	16	U3210-27662	103	U3210-59431	90
T2611-50041	126	T4240-43134	96	T4815-82421	139	U3210-27902	84	U3210-59442	90
T2611-54823	96	T4260-24462	145	T4815-85431	139	U3210-29011	60	U3210-60841	95
T2611-69061	94	T4260-24462	147	T4815-93211	118	U3210-29021	60	U3210-60841	148
T2611-69061	165	T4260-33631	134	T4815-93211	123	U3210-29022	60	U3210-60841	165
T2611-69061	168	T4340-87181	139	T4815-93211	130	U3210-29062	60	U3210-61102	164

PART NO.	PAGE	PART NO.	PAGE	PART NO.	PAGE	PART NO.	PAGE	PART NO.	PAGE
U3210-61103	164	U3210-63411	154	U3210-96164	174	U3215-12291	36	U3215-16601	43
U3210-61104	164	U3210-63421	66	U3210-97221	140	U3215-12313	36	U3215-16601	48
U3210-61105	164	U3210-63651	64	U3210-97251	140	U3215-12402	37	U3215-16613	31
U3210-63102	152	U3210-63661	65	U3210-97261	140	U3215-12411	37	U3215-16613	32
U3210-63104	152	U3210-63691	65	U3210-97302	161	U3215-12422	37	U3215-16613	34
U3210-63111	64	U3210-64113	74	U3210-97341	139	U3215-12452	37	U3215-16613	43
U3210-63111	153	U3210-64132	74	U3210-97403	161	U3215-12461	37	U3215-16613	48
U3210-63121	63	U3210-64171	74	U3210-97422	161	U3215-12471	37	U3215-16613	55
U3210-63121	65	U3210-64191	74	U3210-97431	161	U3215-12511	39	U3215-16621	31
U3210-63121	66	U3210-64221	74	U3210-97441	161	U3215-12521	39	U3215-16621	34
U3210-63121	152	U3210-64261	74	U3210-97451	161	U3215-12531	39	U3215-16621	43
U3210-63121	153	U3210-64281	74	U3210-97461	161	U3215-12531	40	U3215-16621	55
U3210-63121	154	U3210-64311	74	U3210-97471	161	U3215-12551	39	U3215-17211	42
U3210-63122	63	U3210-64331	74	U3210-97481	140	U3215-12612	40	U3215-17231	42
U3210-63122	152	U3210-64371	68	U3210-97511	125	U3215-12621	40	U3215-17232	42
U3210-63151	63	U3210-64371	72	U3210-97601	159	U3215-12631	41	U3215-17251	42
U3210-63151	152	U3210-64371	74	U3210-97602	159	U3215-12641	41	U3215-17421	42
U3210-63161	63	U3210-64391	74	U3210-97611	122	U3215-12641	47	U3215-17431	42
U3210-63161	65	U3210-64411	75	U3210-97661	122	U3215-12651	40	U3215-17442	42
U3210-63161	66	U3210-64431	75	U3210-97661	159	U3215-12682	41	U3215-17451	42
U3210-63161	152	U3210-64461	75	U3210-98452	112	U3215-13144	43	U3215-18212	42
U3210-63161	153	U3210-64481	76	U3210-98851	175	U3215-13145	43	U3215-18314	42
U3210-63161	154	U3210-64491	76	U3210-98901	175	U3215-13211	46	U3215-18351	42
U3210-63171	63	U3210-64511	76	U3210-98931	175	U3215-13221	43	U3215-19001	51
U3210-63171	152	U3210-64551	67	U3210-99251	111	U3215-13221	53	U3215-19001015	52
U3210-63203	153	U3210-64551	68	U3210-99733	111	U3215-13303	43	U3215-19002	51
U3210-63211	65	U3210-64551	76	U3210-99734	111	U3215-13511	43	U3215-19061	51
U3210-63211	153	U3210-64571	75	U3210-99751	111	U3215-14103	44	U3215-19062	51
U3210-63221	65	U3210-64591	75	U3210-99793	111	U3215-14104	44	U3215-19411	54
U3210-63221	66	U3210-64612	76	U3210-99831	111	U3215-14111	44	U3215-19441	54
U3210-63221	152	U3210-64631	76	U3210-99851	111	U3215-14122	44	U3215-22351	70
U3210-63221	153	U3210-64662	76	U3210-99904	111	U3215-14132	44	U3215-23121	66
U3210-63241	64	U3210-64711	76	U3210-99906	111	U3215-14171	44	U3215-23221	63
U3210-63241	153	U3210-64731	76	U3210-99913	111	U3215-14201	44	U3215-23282	66
U3210-63251	64	U3210-64803	67	U3210-99952	112	U3215-14211	44	U3215-23412	66
U3210-63251	153	U3210-64813	67	U3210-99953	112	U3215-14311	44	U3215-26051	57
U3210-63261	64	U3210-64851	67	U3210-99974	111	U3215-14552	47	U3215-29104	61
U3210-63261	153	U3210-64871	67	U3210-99976	111	U3215-14561	47	U3215-29203	61
U3210-63271	65	U3210-64911	67	U3214-29351	62	U3215-14571	47	U3215-29304	61
U3210-63271	153	U3210-64921	67	U3214-85591	124	U3215-14601	45	U3215-29501	62
U3210-63281	66	U3210-69142	116	U3214-A1001	151	U3215-14611	45	U3215-29621	62
U3210-63281	154	U3210-69144	174	U3214-A1011	151	U3215-14621	45	U3215-29721	61
U3210-63291	66	U3210-69161	116	U3215-04931	32	U3215-14631	45	U3215-29772	62
U3210-63303	154	U3210-69161	158	U3215-10031	87	U3215-14641	45	U3215-29801	61
U3210-63321	63	U3210-69161	174	U3215-11142	32	U3215-14651	45	U3215-29901	61
U3210-63321	152	U3210-69201	139	U3215-11303	32	U3215-15141	48	U3215-29931	61
U3210-63331	152	U3210-71011	96	U3215-11702	32	U3215-15302	48	U3215-30003	91
U3210-63342	63	U3210-71012	96	U3215-11801	32	U3215-16141	49	U3215-30004	91
U3210-63342	65	U3210-71013	96	U3215-12104	35	U3215-16161	49	U3215-31003	91
U3210-63342	66	U3210-71171	96	U3215-12114	35	U3215-16211	30	U3215-31004	91
U3210-63342	152	U3210-71181	96	U3215-12121	35	U3215-16302	49	U3215-31052	91
U3210-63342	153	U3210-73171	98	U3215-12131	35	U3215-16311	49	U3215-31141	91
U3210-63342	154	U3210-73321	98	U3215-12151	35	U3215-16411	51	U3215-31155	91
U3210-63351	63	U3210-74551	124	U3215-12211	36	U3215-16501	50	U3215-31156	91
U3210-63351	152	U3210-74591	124	U3215-12221	36	U3215-16511	50	U3215-31501	144
U3210-63352	63	U3210-85481	147	U3215-12231	36	U3215-16521	50	U3215-31803	144
U3210-63352	152	U3210-85491	146	U3215-12244	36	U3215-16531	50	U3215-31902	144
U3210-63391	63	U3210-85591	124	U3215-12251	36	U3215-16541	50	U3215-32001	144
U3210-63391	152	U3210-91152	130	U3215-12263	36	U3215-16551	50	U3215-32201	144
U3210-63411	66	U3210-91162	130	U3215-12271	36	U3215-16601	32	U3215-32252	144

PART NO.	PAGE	PART NO.	PAGE	PART NO.	PAGE	PART NO.	PAGE	PART NO.	PAGE
U3215-32252	147	U3215-50012	80	U3215-52201	82	U3215-60311001	135	U3215-76971	99
U3215-32271	147	U3215-50013	80	U3215-52202	87	U3215-60311002	135	U3215-77102	78
U3215-32432	147	U3215-50101	80	U3215-52301	82	U3215-60311003	135	U3215-77201	78
U3215-32802	145	U3215-50111	80	U3215-52301	87	U3215-60312	135	U3215-77302	78
U3215-32902	145	U3215-50121	80	U3215-52353	129	U3215-60321	135	U3215-77303	78
U3215-32972	144	U3215-50122	80	U3215-52401	129	U3215-60341	95	U3215-77351	78
U3215-33301	91	U3215-50131	80	U3215-52701	129	U3215-60341	148	U3215-77352	78
U3215-33501	133	U3215-50141	80	U3215-53003	86	U3215-60341	165	U3215-77401	78
U3215-33511	133	U3215-50151	80	U3215-53004	86	U3215-60341	168	U3215-77501	78
U3215-33701	147	U3215-50171	80	U3215-53102	86	U3215-60351	95	U3215-77701	79
U3215-33801	147	U3215-50201	80	U3215-53203	86	U3215-60351	148	U3215-77701	91
U3215-33901	132	U3215-50202	80	U3215-53301	86	U3215-60351	165	U3215-77901	79
U3215-33902	147	U3215-50211	80	U3215-53401	86	U3215-60351	168	U3215-77921	79
U3215-33911	132	U3215-50221	80	U3215-53501	86	U3215-60362	131	U3215-77954	79
U3215-33921	132	U3215-50308	80	U3215-53601	86	U3215-60362	173	U3215-78001	79
U3215-33921	147	U3215-50309	80	U3215-53601-S	88	U3215-60381	173	U3215-78151	79
U3215-33931	132	U3215-5030A	80	U3215-53701	86	U3215-60391	173	U3215-78202	79
U3215-33951	132	U3215-50316	81	U3215-53701-S	88	U3215-60401	131	U3215-78301	79
U3215-40001	68	U3215-50317	81	U3215-55201	129	U3215-60401	173	U3215-78501	79
U3215-40001	71	U3215-50322	81	U3215-56005	87	U3215-60411	141	U3215-78601	79
U3215-40001002	71	U3215-50323	81	U3215-56006	87	U3215-60411	173	U3215-78801	79
U3215-40001003	71	U3215-50331	81	U3215-56007	87	U3215-60421	137	U3215-79001	79
U3215-40001004	71	U3215-50401	80	U3215-56201	87	U3215-60431	137	U3215-81005	100
U3215-40001005	71	U3215-50502	82	U3215-56301	88	U3215-60511	135	U3215-81006	100
U3215-40001006	71	U3215-50503	82	U3215-56401	88	U3215-60522	136	U3215-81102	100
U3215-40001007	71	U3215-50553	82	U3215-56505	87	U3215-69103	134	U3215-81103	100
U3215-40001008	71	U3215-50701	53	U3215-56506	87	U3215-69151	116	U3215-81151	101
U3215-40001009	71	U3215-50751	63	U3215-56507	87	U3215-69152	174	U3215-81303	100
U3215-40001010	71	U3215-50751	65	U3215-56631	86	U3215-69611	142	U3215-81361	100
U3215-40011	71	U3215-50751	66	U3215-56651	86	U3215-69711	131	U3215-81371	100
U3215-40101	68	U3215-50751	152	U3215-56672	88	U3215-69731	131	U3215-81402	100
U3215-40101	71	U3215-50801	63	U3215-56681	88	U3215-69811	143	U3215-81552	84
U3215-41106	71	U3215-50801	65	U3215-57103	88	U3215-69821	143	U3215-81552	98
U3215-41107	71	U3215-50801	66	U3215-57211	88	U3215-69872	134	U3215-81552	101
U3215-41121	71	U3215-50801	76	U3215-57221	88	U3215-69922	96	U3215-81552	103
U3215-41202	68	U3215-50801	152	U3215-57231	88	U3215-71101	96	U3215-81552	108
U3215-41202	71	U3215-50801	153	U3215-57301	88	U3215-71102	96	U3215-81552	109
U3215-42001	72	U3215-50801	154	U3215-57401	88	U3215-71103	96	U3215-81552	116
U3215-42021	68	U3215-51008	81	U3215-58005	89	U3215-71331	97	U3215-81552	117
U3215-42021	71	U3215-51009	81	U3215-58151	89	U3215-71382	97	U3215-81552	119
U3215-42041	73	U3215-5100A	81	U3215-58252	90	U3215-71392	97	U3215-81552	151
U3215-43101	72	U3215-5100B	81	U3215-59031	89	U3215-72611	98	U3215-81552	158
U3215-43301	72	U3215-51101	133	U3215-60071	141	U3215-72622	98	U3215-81552	174
U3215-43401	72	U3215-51111	133	U3215-60081	136	U3215-72641	98	U3215-81561	103
U3215-45107	68	U3215-51308	82	U3215-60091	136	U3215-72781	98	U3215-81601	101
U3215-46201	68	U3215-51309	82	U3215-60102	137	U3215-72781	123	U3215-83002	102
U3215-46201	72	U3215-5130A	83	U3215-60112	137	U3215-72781	161	U3215-83653	103
U3215-46301	68	U3215-51316	82	U3215-60122	137	U3215-72781	163	U3215-83701	102
U3215-46402	68	U3215-51317	82	U3215-60132	137	U3215-73391	98	U3215-84002	102
U3215-47101	73	U3215-51401	167	U3215-60161	134	U3215-74501	124	U3215-85011	105
U3215-47121	73	U3215-51411	150	U3215-60171	95	U3215-75301	99	U3215-85011	114
U3215-47131	73	U3215-51411	167	U3215-60171	148	U3215-75401	99	U3215-85021	105
U3215-49403	70	U3215-51411	171	U3215-60171	168	U3215-75471	99	U3215-85021	114
U3215-49502	70	U3215-51421	150	U3215-60181	141	U3215-75681	99	U3215-85032	105
U3215-49571	70	U3215-51421	167	U3215-60191	130	U3215-75921	99	U3215-85032	114
U3215-49581	70	U3215-51421	171	U3215-60201	136	U3215-75982	99	U3215-85041	105
U3215-50009	82	U3215-51431	150	U3215-60212	136	U3215-76051	99	U3215-85041	114
U3215-5000A	82	U3215-51441	150	U3215-60254	141	U3215-76121	128	U3215-85051	105
U3215-5000B	82	U3215-51441	167	U3215-60304	173	U3215-76701	99	U3215-85051	114
U3215-50011	80	U3215-51441	171	U3215-60311	135	U3215-76951	99	U3215-85061	105

PART NO.	PAGE	PART NO.	PAGE	PART NO.	PAGE	PART NO.	PAGE	PART NO.	PAGE
U3215-85061	114	U3215-92201	103	U3215-97691	159	U3300-A3012	119	U3353-34001	144
U3215-85071	105	U3215-92352	103	U3215-97721	118	U3300-A3013	119	U3355-34001	147
U3215-85071	114	U3215-92402	103	U3215-97721	155	U3300-A4101	120	U3380-98011	115
U3215-85081	105	U3215-92403	103	U3215-97721	156	U3300-A4301	121	U3400-21511	62
U3215-85081	114	U3215-92701	103	U3215-97721	157	U3300-A6001	122	U3400-24511	81
U3215-85091	105	U3215-92801	103	U3215-97782	130	U3305-A1002	156	U3400-26511	87
U3215-85091	114	U3215-92901	119	U3215-97782	170	U3305-A1501	157	U3400-38021	69
U3215-85101	105	U3215-93001	103	U3215-97793	118	U3305-A3002	119	U3400-38051	69
U3215-85101	114	U3215-93051	103	U3215-97793	155	U3305-A3003	119	U3400-38071	69
U3215-85121	105	U3215-93101	119	U3215-97793	156	U3305-A5001	158	U3400-38091	69
U3215-85121	114	U3215-93402	103	U3215-97793	157	U3305-A6002	122	U3400-38111	69
U3215-85132	106	U3215-93501	146	U3215-97794	118	U3350-10011	102	U3400-92111	110
U3215-85132	115	U3215-93511	103	U3215-97794	157	U3350-19001	56	U3400-92131	110
U3215-85161	106	U3215-96151	101	U3215-97803	170	U3350-31101	67	U3410-98052	114
U3215-85162	115	U3215-96201	67	U3215-97821	170	U3350-36101	68	U3410-98062	114
U3215-85211	124	U3215-96251	113	U3215-97831	170	U3350-38101	69	U3450-92031	110
U3215-85321	146	U3215-96361	107	U3215-97916	160	U3350-38101	70		
U3215-85361	105	U3215-96361	110	U3215-97926	160	U3350-44101	74		
U3215-85381	105	U3215-96402	101	U3215-A1001	34	U3350-44111	75		
U3215-85391	105	U3215-96502	101	U3215-A3001	55	U3350-44301	75		
U3215-85401	105	U3215-96502	135	U3215-A3002	43	U3350-44311	76		
U3215-85411	105	U3215-96511	91	U3215-A5001	31	U3350-44501	76		
U3215-85421	106	U3215-96521	137	U3217-50331	81	U3350-44511	77		
U3215-85421	115	U3215-96731	176	U3217-56201	87	U3350-49011	79		
U3215-85491	146	U3215-96731	177	U3217-97002	163	U3350-49031	79		
U3215-85501	114	U3215-96751	176	U3217-97102	163	U3350-49101	79		
U3215-85541	106	U3215-96761	177	U3219-74402	124	U3350-50005	84		
U3215-85711	146	U3215-97005	123	U3219-9800B	111	U3350-50006	84		
U3215-85861	115	U3215-97103	123	U3219-9800D	111	U3350-50007	84		
U3215-85862	106	U3215-97111	95	U3219-98802	112	U3350-50009	84		
U3215-85862	115	U3215-97111	123	U3219-99304	111	U3350-50111	84		
U3215-86141	101	U3215-97111	148	U3219-99721	111	U3350-56002	84		
U3215-86142	101	U3215-97111	160	U3230-60841	168	U3350-57002	85		
U3215-86161	100	U3215-97111	161	U3230-61101	167	U3350-61101	93		
U3215-86182	100	U3215-97111	163	U3230-63601	142	U3350-61201	93		
U3215-91003	107	U3215-97111	165	U3230-63602	142	U3350-61301	93		
U3215-91003	109	U3215-97111	169	U3230-63611	142	U3350-61401	145		
U3215-91102	107	U3215-97122	123	U3230-63661	142	U3350-61401	147		
U3215-91102	109	U3215-97122	161	U3230-69701	131	U3350-61501	145		
U3215-91202	107	U3215-97122	163	U3230-69801	143	U3350-61502	145		
U3215-91202	109	U3215-97151	123	U3230-69831	143	U3350-61601	145		
U3215-91301	107	U3215-97151	161	U3230-75953	99	U3350-61701	147		
U3215-91301	109	U3215-97151	163	U3230-75962	99	U3350-83001	102		
U3215-91351	108	U3215-97161	117	U3230-97201	126	U3350-83201	102		
U3215-91351	109	U3215-97161	123	U3230-97211	126	U3350-83251	102		
U3215-91352	108	U3215-97161	140	U3230-97303	172	U3350-83311	102		
U3215-91352	109	U3215-97161	162	U3230-97313	172	U3350-83331	102		
U3215-91371	108	U3215-97161	163	U3230-97321	172	U3350-83701	102		
U3215-91381	108	U3215-97551	127	U3230-97333	172	U3350-84101	104		
U3215-91401	107	U3215-97561	127	U3300-A1002	155	U3350-84201	104		
U3215-91512	107	U3215-97642	122	U3300-A1012	118	U3350-84301	104		
U3215-91512	109	U3215-97642	159	U3300-A1012	155	U3350-84401	104		
U3215-91513	108	U3215-97671	122	U3300-A1012	156	U3350-95002	113		
U3215-91513	109	U3215-97671	123	U3300-A1012	157	U3350-95302	113		
U3215-91521	100	U3215-97671	159	U3300-A1032	118	U3350-95502	113		
U3215-91852	107	U3215-97671	162	U3300-A1032	156	U3350-95902	113		
U3215-91852	109	U3215-97671	163	U3300-A1032	157	U3350-95952	113		
U3215-91902	107	U3215-97681	122	U3300-A2011	117	U3350-98031	114		
U3215-91902	109	U3215-97681	159	U3300-A2031	117	U3350-98051	114		
U3215-92101	103	U3215-97691	122	U3300-A2051	117	U3351-73002	138		

INDEX 2

PARTS GROUP	GROUP NO.	PAGE	PARTS GROUP	GROUP NO.	PAGE
Accelerator Pedal Group	U3350-G310A	67	Intake System Group	U1-U0710A	98
ALARM SYSTEM BACKUP, GROUP	U3-U5750A	143	IP GROUP(KIOTI)	U1-U0800A	100
ALTERNATOR GROUP	3C100LWU-E200	25	LABEL GROUP	3C100LW-E240	27
Battery Group	U1-U0630A	136	LABEL GROUP	3C100LWU-E240	28
BEACON LIGHT GROUP	U3-U5710A	142	Label Group	U3330-G980A	114
BEVEL PINION SHAFT GROUP	U1-T230A	30	Label Group(MEC2200-SW-EU)	U1-U0857A	105
BRAKE PEDAL GROUP	U1-U0420A	73	LEVER GROUP	U3350-G440A	74
CAMSHAFT GROUP	3C100A-E100	13	MAIN BEARING CASE GROUP	3C100A-E050	10
CANOPY GROUP	U3300-GA10B	155	MANIFOLD GROUP	3C100LWU-E220	26
CANOPY GROUP	U3305-GA10A	118	MIRROR GROUP-OPT	U1-U3990A	170
CANOPY GROUP	U3305-GA10B	156	MOLDING GROUP	U3350-G840A	103
CANOPY GROUP	U3305-GA15A	157	NOZZLE HOLDER GROUP	3C100LWU-E130	16
CLUTCH COVER GROUP	U1-U0288A	61	NUMBER PLATE GROUP	U1-U5680A	130
CVT Group, DC(STD)	U1-U0284A	60	OIL COOLER GROUP	U1-U5950A	133
CYLINDER BLOCK GROUP	3C100LWU-E010	1	OIL PAN GROUP	3C100LWU-E020	3
CYLINDER HEAD COVER GROUP	3C093LW-E090	12	OPTIONAL LAMP GROUP	U1-U0980A	148
CYLINDER HEAD COVER GROUP	3C100LW-E030	4	OPTIONAL LAMP GROUP	U1-U3980A	164
DECK EXTENSION GROUP(OPTION)	U1-U5920A	175	OPTIONAL LAMP GROUP(OPT-EU)	U3-U3980A	167
Deck Group(STD-BLACK)	U1-U0922A	111	PACKING BACKE GROUP	U3351-G380A	70
DRIVE SHAFT GROUP	U1-T110A	35	PARKING BACKE GROUP	U3350-G380A	69
ELECTRICAL SYSTEM 1 GROUP	U1-U0600A	134	PARKING BRAKE BUZZER GROUP	U3305-GA50A	158
ELECTRICAL SYSTEM 2 GROUP	U1-U0610A	135	PARKING LOCK BUZZER GROUP	U1-U1670A	116
ELECTRICITY SYSTEM 3 GROUP	U3351-G730A	138	PARKING LOCK BUZZER GROUP(OPTION)	U1-U5670A	174
ENGINE MOUNTING GROUP	U1-U0250A	58	PISTON & CRANKSHAFT GROUP	3C100LWU-E110	14
ENGINE STOP LEVER GROUP	3C100LW-C-E160	20	POWER STEERING GROUP,KIOTI	U1-U0524A	89
EPA LABEL GROUP	3C100LW-E245	29	Propeller Shaft Group	U3350-G190A	56
Exhaust System Group(STD)	U3-U0720A	99	RADIATOR GROUP	U3350-G490A	78
FLYWHEEL GROUP	3C100LWU-E120	15	REAR AXLE CASE GROUP	U1-T180A	43
FOG LAMP GROUP	U1-U5650A	141	Rear Axle Drive Group	U1-U0240A	54
FRAME	U3350-G500A	84	Rear Break Group	U3350-G360A	68
FRONT AXLE CASE GROUP	U1-T210A	48	REAR DIFF FORK GROUP	U1-T200A	47
Front Axle Drive Group	U1-U0230A	51	REAR DIFF SYSTEM GROUP	U1-T190A	44
Front Axle Group	U1-U0550A	31	Rear Differential Group	U1-U0235A	53
Front Break Group	U1-U0400A	71	Rear Differential Group	U1-U0300A	55
FRONT DIFF SYSTEM GROUP	U1-T220A	49	REAR SCREEN GROUP	U1-U3830A	160
FRONT DRIVE FORK GROUP	U1-T160A	41	Rear Suspension Group(STD)	U1-U0510A	86
FRONT HITCH GROUP(EEC)-OPT	U3-U5020A	126	REAR WHEEL DRIVING SHAFT GROUP	U1-T140A	39
FRONT HITCH GROUP-OPT	U1-U5010A	125	ROPS	U3350-G950A	113
Front Suspension Group(STD)	U1-U0500A	80	SAFTY GLASS GROUP	U1-U3931A	161
FRONT WHEEL DRIVE SHAFT GROUP	U1-T150A	40	SEAT GROUP	U3350-G830A	102
FUEL CAMSHAFT GROUP	3C100LWU-E140	17	SHIFT FORK GROUP	U1-T170A	42
Fuel System Group	U1-U0700A	96	SHIFT SHAFT GROUP	U1-T120A	36
Gas Spring GROUP	U1-U1000A	150	SKID PLATE GROUP	U3305-GA30A	119
Gas Spring GROUP-OPT	U1-U4000A	171	SOFT CABIN(KIOTI-BLACK)	U3305-GA41A	120
GEAR CASE GROUP	3C100A-E040	5	SOFT CABIN(KIOTI-CAMO)	U3305-GA43A	121
GEAR CASE GROUP	3C100LW-E040	8	SOFT CABIN(OPTION-BLACK-KIOTI)	U1-U5972A	176
GOVERNOR GROUP	3C100A-E170	22	SOFT CABIN(OPTION-DESERT-KIOTI)	U1-U5973A	177
Guard Group	U1-U0210A	57	SPARK ARREST ASSY	U1-U5050A	128
Guard Group	U3214-GA10B	151	SPEED CONTROL LEVER GROUP	3C100A-E150	19
HAND THROTTLE GROUP-OPT	U1-U3950A	124	SPRIAL BEVEL GEAR GROUP	U1-T130A	37
HEAD LIGHT GROUP	U1-U0640A	137	STORAGE GROUP	U3300-GA20A	117
HEAD REST GROUP	U1-U3820A	159	SUSP DUST SHIELD GROUP-OPT	U1-U5080A	129
HEAD REST GROUP	U3305-GA60A	122	SWING DRAWBAR GROUP(EEC)-OPT	U3-U5110A	172
HIGH MOUNT BRAKE LAMP GROUP	U3-U5730A	131	TRANSMISSION CASE GROUP	U1-T100A	32
HOOD GROUP	U1-U0910A	107	TRANSMISSION GROUP	U1-U0100A	34
HOOD GROUP	U3450-G920A	109	VALVE ROCKER ARM GROUP	3C100A-E080	11
HYDRAULIC SYSTEM	U3351-G610A	91	WATER HOSE GROUP	3C100LWU-E190	23
HYDRAULIC SYSTEM	U3353-G610A	144	Wheel & Tire Group(Mud)	U1-U0291A	64
HYDRAULIC SYSTEM	U3355-G610A	147	Wheel & Tire Group(OPT-Mud)	U1-U3291A	153
HYDRAULIC SYSTEM GROUP (3)-OPT	U1-U5940A	132	Wheel & Tire Group(OPT-Turf)	U1-U3292A	154

INDEX 3

PARTS GROUP	GROUP NO.	PAGE	PARTS GROUP	GROUP NO.	PAGE
<CHASSIS>			HEAD LIGHT GROUP	U1-U0640A	137
Accelerator Pedal Group	U3350-G310A	67	WIPER GROUP	U1-U3933A	139
BRAKE PEDAL GROUP	U1-U0420A	73	<ENGINE>		
CANOPY GROUP	U3305-GA10A	118	ALTERNATOR GROUP	3C100LWU-E200	25
CLUTCH COVER GROUP	U1-U0288A	61	CAMSHAFT GROUP	3C100A-E100	13
CVT Group, DC(STD)	U1-U0284A	60	CYLINDER BLOCK GROUP	3C100LWU-E010	1
Deck Group(STD-BLACK)	U1-U0922A	111	CYLINDER HEAD COVER GROUP	3C093LW-E090	12
ENGINE MOUNTING GROUP	U1-U0250A	58	CYLINDER HEAD COVER GROUP	3C100LW-E030	4
Exhaust System Group(STD)	U3-U0720A	99	ENGINE STOP LEVER GROUP	3C100LW-C-E160	20
FRAME	U3350-G500A	84	EPA LABEL GROUP	3C100LW-E245	29
Front Break Group	U1-U0400A	71	FLYWHEEL GROUP	3C100LWU-E120	15
FRONT HITCH GROUP(EEC)-OPT	U3-U5020A	126	FUEL CAMSHAFT GROUP	3C100LWU-E140	17
FRONT HITCH GROUP-OPT	U1-U5010A	125	GEAR CASE GROUP	3C100A-E040	5
Front Suspension Group(STD)	U1-U0500A	80	GEAR CASE GROUP	3C100LW-E040	8
Fuel System Group	U1-U0700A	96	GOVERNOR GROUP	3C100A-E170	22
Guard Group	U1-U0210A	57	LABEL GROUP	3C100LW-E240	27
HAND THROTTLE GROUP-OPT	U1-U3950A	124	LABEL GROUP	3C100LWU-E240	28
HEAD REST GROUP	U3305-GA60A	122	MAIN BEARING CASE GROUP	3C100A-E050	10
HIGH MOUNT BRAKE LAMP GROUP	U3-U5730A	131	MANIFOLD GROUP	3C100LWU-E220	26
HOOD GROUP	U1-U0910A	107	NOZZLE HOLDER GROUP	3C100LWU-E130	16
HOOD GROUP	U3450-G920A	109	OIL PAN GROUP	3C100LWU-E020	3
HYDRAULIC SYSTEM	U3351-G610A	91	PISTON & CRANKSHAFT GROUP	3C100LWU-E110	14
HYDRAULIC SYSTEM GROUP (3)-OPT	U1-U5940A	132	SPEED CONTROL LEVER GROUP	3C100A-E150	19
Intake System Group	U1-U0710A	98	VALVE ROCKER ARM GROUP	3C100A-E080	11
IP GROUP(KIOTI)	U1-U0800A	100	WATER HOSE GROUP	3C100LWU-E190	23
Label Group	U3330-G980A	114	<FRONT AXLE>		
Label Group(MEC2200-SW-EU)	U1-U0857A	105	BEVEL PINION SHAFT GROUP	U1-T230A	30
LEVER GROUP	U3350-G440A	74	Front Axle Group	U1-U0550A	31
MOLDING GROUP	U3350-G840A	103	<OPTION>		
NUMBER PLATE GROUP	U1-U5680A	130	CANOPY GROUP	U3300-GA10B	155
OIL COOLER GROUP	U1-U5950A	133	CANOPY GROUP	U3305-GA10B	156
PACKING BACKE GROUP	U3351-G380A	70	CANOPY GROUP	U3305-GA15A	157
PARKING BACKE GROUP	U3350-G380A	69	DECK EXTENSION GROUP(OPTION)	U1-U5920A	175
PARKING LOCK BUZZER GROUP	U1-U1670A	116	Gas Spring GROUP	U1-U1000A	150
POWER STEERING GROUP,KIOTI	U1-U0524A	89	Gas Spring GROUP-OPT	U1-U4000A	171
Propeller Shaft Group	U3350-G190A	56	Guard Group	U3214-GA10B	151
RADIATOR GROUP	U3350-G490A	78	HEAD REST GROUP	U1-U3820A	159
Rear Break Group	U3350-G360A	68	HYDRAULIC SYSTEM	U3353-G610A	144
Rear Suspension Group(STD)	U1-U0510A	86	HYDRAULIC SYSTEM	U3355-G610A	147
ROPS	U3350-G950A	113	MIRROR GROUP-OPT	U1-U3990A	170
SEAT GROUP	U3350-G830A	102	OPTIONAL LAMP GROUP	U1-U0980A	148
SKID PLATE GROUP	U3305-GA30A	119	OPTIONAL LAMP GROUP	U1-U3980A	164
SOFT CABIN(KIOTI-BLACK)	U3305-GA41A	120	OPTIONAL LAMP GROUP(OPT-EU)	U3-U3980A	167
SOFT CABIN(KIOTI-CAMO)	U3305-GA43A	121	PARKING BRAKE BUZZER GROUP	U3305-GA50A	158
SPARK ARREST ASSY	U1-U5050A	128	PARKING LOCK BUZZER GROUP(OPTION)	U1-U5670A	174
STORAGE GROUP	U3300-GA20A	117	REAR SCREEN GROUP	U1-U3830A	160
SUSP DUST SHIELD GROUP-OPT	U1-U5080A	129	SAFTY GLASS GROUP	U1-U3931A	161
Wheel & Tire Group(Mud)	U1-U0291A	64	SOFT CABIN(OPTION-BLACK-KIOTI)	U1-U5972A	176
Wheel & Tire Group(Turf)	U1-U0292A	66	SOFT CABIN(OPTION-DESERT-KIOTI)	U1-U5973A	177
Wheel & Tire Group(WORK)	U1-U0290A	63	SWING DRAWBAR GROUP(EEC)-OPT	U3-U5110A	172
WINCH GROUP	U1-U5030A	127	Wheel & Tire Group(OPT-Mud)	U1-U3291A	153
WIND SHIELD GROUP	U1-U3930A	123	Wheel & Tire Group(OPT-Turf)	U1-U3292A	154
<ELECTRICAL>			Wheel & Tire Group(OPT-WORK)	U1-U3290A	152
ALARM SYSTEM BACKUP, GROUP	U3-U5750A	143	WIND SHIELD GROUP	U1-U3932A	163
Battery Group	U1-U0630A	136	WORKING LAMP GROUP(OPTION)	U1-U5660A	173
BEACON LIGHT GROUP	U3-U5710A	142	<TRANSMISSION>		
ELECTRICAL SYSTEM 1 GROUP	U1-U0600A	134	DRIVE SHAFT GROUP	U1-T110A	35
ELECTRICAL SYSTEM 2 GROUP	U1-U0610A	135	FRONT AXLE CASE GROUP	U1-T210A	48
ELECTRICITY SYSTEM 3 GROUP	U3351-G730A	138	Front Axle Drive Group	U1-U0230A	51
FOG LAMP GROUP	U1-U5650A	141	FRONT DIFF SYSTEM GROUP	U1-T220A	49

