

TABLE OF CONTENTS

[ENGINE]

3C100LWU-E010	CYLINDER BLOCK GROUP.	1
3C100LWU-E020	OIL PAN GROUP.	3
3C100LW-E030	CYLINDER HEAD COVER GROUP.	4
3C100A-E040	GEAR CASE GROUP.	5
3C100LW-E040	GEAR CASE GROUP.	8
3C100A-E050	MAIN BEARING CASE GROUP.	10
3C100A-E080	VALVE ROCKER ARM GROUP.	11
3C093LW-E090	CYLINDER HEAD COVER GROUP.	12
3C100A-E100	CAMSHAFT GROUP.	13
3C100A-E110	PISTON & CRANKSHAFT GROUP.	14
3C100LWU-E110	PISTON & CRANKSHAFT GROUP.	16
3C100LWU-E120	FLYWHEEL GROUP.	17
3C100LWU-E130	NOZZLE HOLDER GROUP.	18
3C100LWU-E140	FUEL CAMSHAFT GROUP.	19
3C100A-E150	SPEED CONTROL LEVER GROUP.	21
3C100LW-C-E160	ENGINE STOP LEVER GROUP.	22
3C100A-E170	GOVERNOR GROUP.	24
3C100LWU-E190	WATER HOSE GROUP.	25
3C100LWU-E200	ALTERNATOR GROUP.	27
3C100LWU-E220	MANIFOLD GROUP.	28
3C100LW-E240	LABEL GROUP.	29
3C100LWU-E240	LABEL GROUP.	30
3C100LW-E245	EPA LABEL GROUP.	31

[FRONT AXLE]

U1-T230A	BEVEL PINION SHAFT GROUP.	32
U1-U0550A	Front Axle Group.	33

[TRANSMISSION]

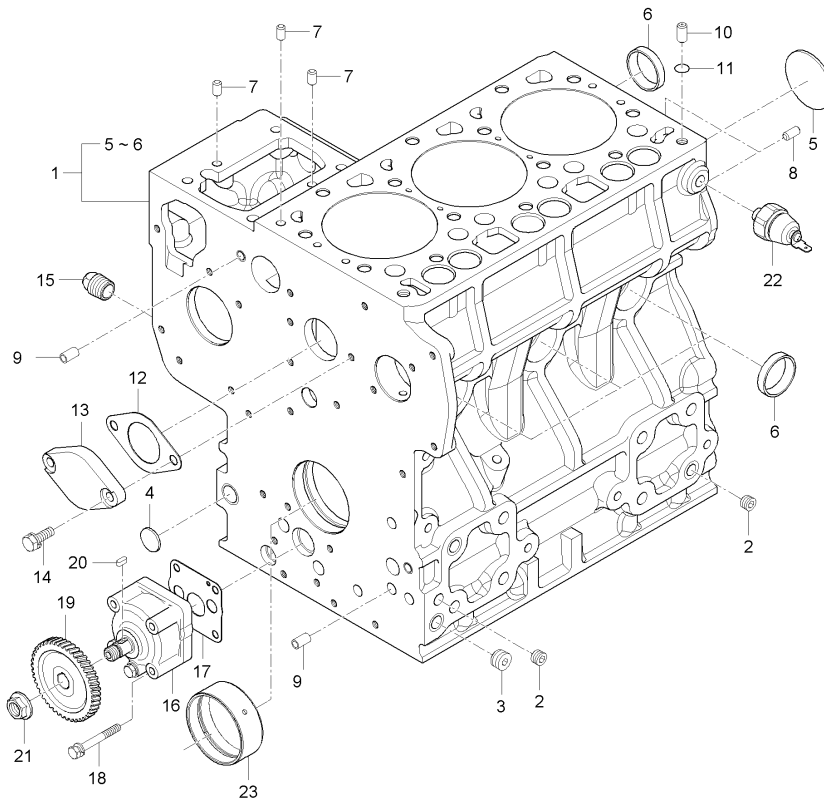
U1-T100A	TRANSMISSION CASE GROUP.	34
U1-U0100A	TRANSMISSION GROUP.	36
U1-T110A	DRIVE SHAFT GROUP.	37
U1-T120A	SHIFT SHAFT GROUP.	38
U1-T130A	SPRIAL BEVEL GEAR GROUP.	39
U1-T140A	REAR WHEEL DRIVING SHAFT GROUP.	41
U1-T150A	FRONT WHEEL DRIVE SHAFT GROUP.	42
U1-T160A	FRONT DRIVE FORK GROUP.	43
U1-T170A	SHIFT FORK GROUP.	44
U1-T180A	REAR AXLE CASE GROUP.	45
U1-T190A	REAR DIFF SYSTEM GROUP.	46
U1-T200A	REAR DIFF FORK GROUP.	49
U1-T210A	FRONT AXLE CASE GROUP.	50
U1-T220A	FRONT DIFF SYSTEM GROUP.	51

U1-U0230A	Front Axle Drive Group.	53
U1-U0235A	Rear Differential Group.	55
U1-U0240A	Rear Axle Drive Group.	56
U1-U0300A	Rear Differential Group.	57
[CHASSIS]		
U3400-G190A	Propeller Shaft Group.	58
U1-U0210A	Guard Group.	59
U3-U0220A	ROPS GROUP.	60
U1-U0250A	ENGINE MOUNTING GROUP.	61
U1-U0270A	Accelerator Pedal Group.	63
U1-U0284A	CVT Group, DC(STD).	64
U3-U0287A	CLUTCH COVER GROUP.	65
U1-U0290A	Wheel & Tire Group(WORK).	67
U1-U0291A	Wheel & Tire Group(Mud).	68
U1-U0292A	Wheel & Tire Group(Turf).	70
U3400-G360A	RR-BRAKE SYS.	71
U3400-G380A	PARKING BRAKE SYS.	73
U1-U0400A	Front Break Group.	74
U1-U0420A	BRAKE PEDAL GROUP.	76
U3400-G440A	FORWARD/REVERSE SHIFTER ASS'Y.	77
U3400-G480A	EXHAUST SYSTEM.	80
U1-U0500A	Front Suspension Group(STD).	81
U3400-G500A	Structure Group.	85
U1-U0510A	Rear Suspension Group(STD).	86
U1-U0524A	POWER STEERING GROUP,KIOTI.	89
U1-U0700A	Fuel System Group.	91
U1-U0710A	Intake System Group.	93
U1-U0730A	RADIATOR GROUP.	94
U1-U0800A	IP GROUP(KIOTI).	96
U3-U0811A	Seat Group(With SUS).	98
U3400-G865A	SKID PLATE GROUP.	100
U3-U0900A	Molding Group(STD).	101
U3450-G920A	HOOD GROUP.	103
U3401-G930A	DECK GROUP-STANDARD BLACK.	105
U1-U0947A	PS HYD. SYSTEM GROUP,DEADONG.	108
U3400-G975A	SPRING.	111
U3430-G980A	LABEL GROUP.	112
U3-U0990A	MIRROR GROUP(STD).	114
U3-U1020A	FRONT HITCH GROUP(EEC)- STD.	115
U3-U1110A	SWING DRAWBAR GROUP(EEC)- STD.	116
U1-U1680A	NUMBER PLATE GROUP (STD).	117
U1-U3950A	HAND THROTTLE GROUP-OPT.	118
U3-U5020A	FRONT HITCH GROUP(EEC)-OPT.	119
U1-U5030A	WINCH GROUP.	120

U1-U5080A	SUSP DUST SHIELD GROUP-OPT.	121
U3-U5730A	HIGH MOUNT BRAKE LAMP GROUP.	122
U1-U5940A	HYDRAULIC SYSTEM GROUP (3)-OPT.	123
U1-U5950A	OIL COOLER GROUP.	124
U1-U5960A	SPRAYER GROUP.	125
 [ELECTRICAL]		
U1-U0600A	ELECTRICAL SYSTEM 1 GROUP.	127
U1-U0610A	ELECTRICAL SYSTEM 2 GROUP.	128
U1-U0620A	ELECTRICAL SYSTEM 2 GROUP.	129
U1-U0630A	Battery Group.	130
U1-U0640A	HEAD LIGHT GROUP.	131
U3400-G730A	ELECTRICITY SYSTEM 3 GROUP.	132
U3430-G755A	SAFTY LAMP GROUP.	133
U3-U3933A	WIPER GROUP.	135
U3-U5710A	BEACON LIGHT GROUP.	137
U3-U5750A	ALARM SYSTEM BACKUP, GROUP.	138
 [OPTION]		
U3400-G620B	HYDRAULIC SYSTEM.	139
U3400-G630B	HYDRAULIC SYSTEM.	142
U3430-G950A	ROPS.	143
U3-U0980A	OPTIONAL LAMP GROUP(EU).	144
U3214-GA10B	Guard Group.	147
U1-U3290A	Wheel & Tire Group(OPT-WORK).	148
U1-U3291A	Wheel & Tire Group(OPT-Mud).	149
U1-U3292A	Wheel & Tire Group(OPT-Turf).	150
U3300-GA10B	CANOPY GROUP.	151
U3-U3931A	SAFTY GLASS GROUP.	152
U3-U3932A	WIND SHIELD GROUP.	154
U1-U3941A	HYDRAULIC SYSTEM GROUP (2)-OPT.	155
U3-U5110A	SWING DRAWBAR GROUP(EEC)-OPT.	156
U3-U5650A	WORKING LAMP 2 GROUP(OPTION).	157
U1-U5660A	WORKING LAMP GROUP(OPTION).	158
U1-U5670A	PARKING LOCK BUZZER GROUP(OPTION).	159
U3-U5972A	SOFT CABIN(OPTION-BLACK-KIOTI).	160
U3-U5973A	SOFT CABIN(OPTION-DESERT-KIOTI).	161
 INDEX 1		
INDEX 2		
INDEX 3		

3C100LWU-E010

CYLINDER BLOCK GROUP



A : MEC2230SW-EU , B : MEC2230SA-EU , C : MEC2230ST-EU

No.	Part Number	Description	Q'TY					I.C	Remark
			A	B	C	D	E		
1	E5763-A0013	CYLINDER BLOCK ASSY	1	1	1				
2	06311-75015	PLUG	3	3	3				T1.6*18*18
3	06311-75040	PLUG	1	1	1				
4	15321-9626-3	PLUG	6	6	6				
5	E5900-96021	PLUG	9	9	9				
6	E5900-96031	PLUG	1	1	1				
7	05012-00609	PIN, PARALLEL	4	4	4				
8	05012-00814	PIN, PARALLEL	2	2	2				∅1A10*20
9	E5205-33961	TUBE PIN	2	2	2				
10	15221-3365-1	PIN, TUBE	1	1	1				
11	E5500-33702	O RING	1	1	1				
12	E5205-73911	COVER	1	1	1				
13	E5700-73922	GASKET	1	1	1				
14	01023-50618	BOLT, WASHER	2	2	2				
15	06312-10020	PLUG	1	1	1				PT1/4
15	EF15-0003A	PLUG	1	1	1			<--->	
16	E5700-35012	OIL PUMP ASSY	1	1	1				
17	E5700-35154	GASKET, OIL PUMP	1	1	1				
18	E5205-91021	BOLT, WASHER	4	4	4				

----> Old replace New

<-X-> Not interchangeable

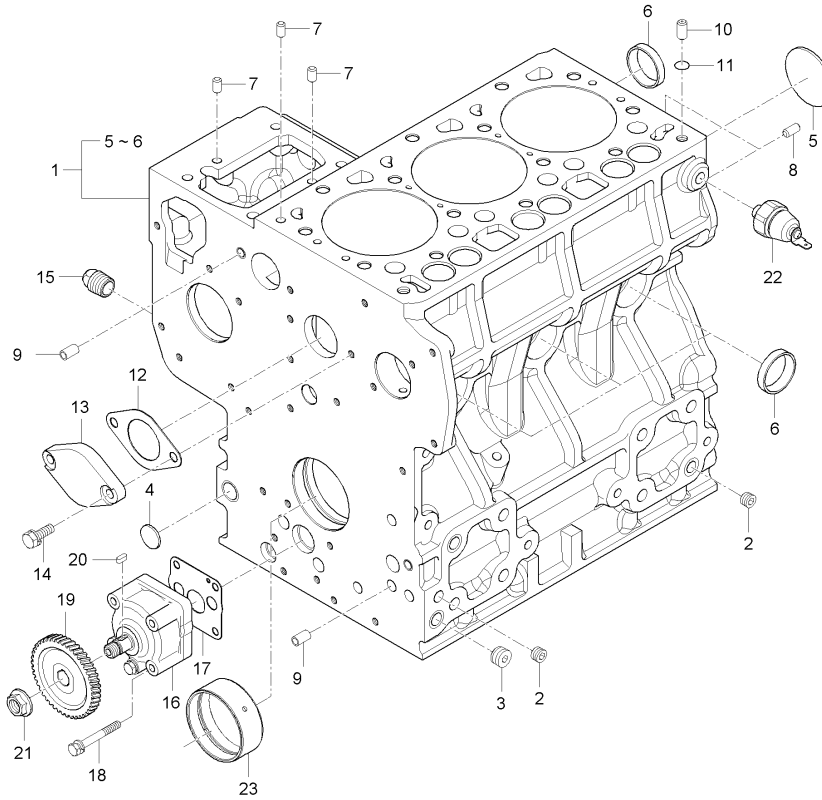
<-O-> Interchangeable with another part(s)

<--- New replace Old

<---> Interchangeable

3C100LWU-E010

CYLINDER BLOCK GROUP



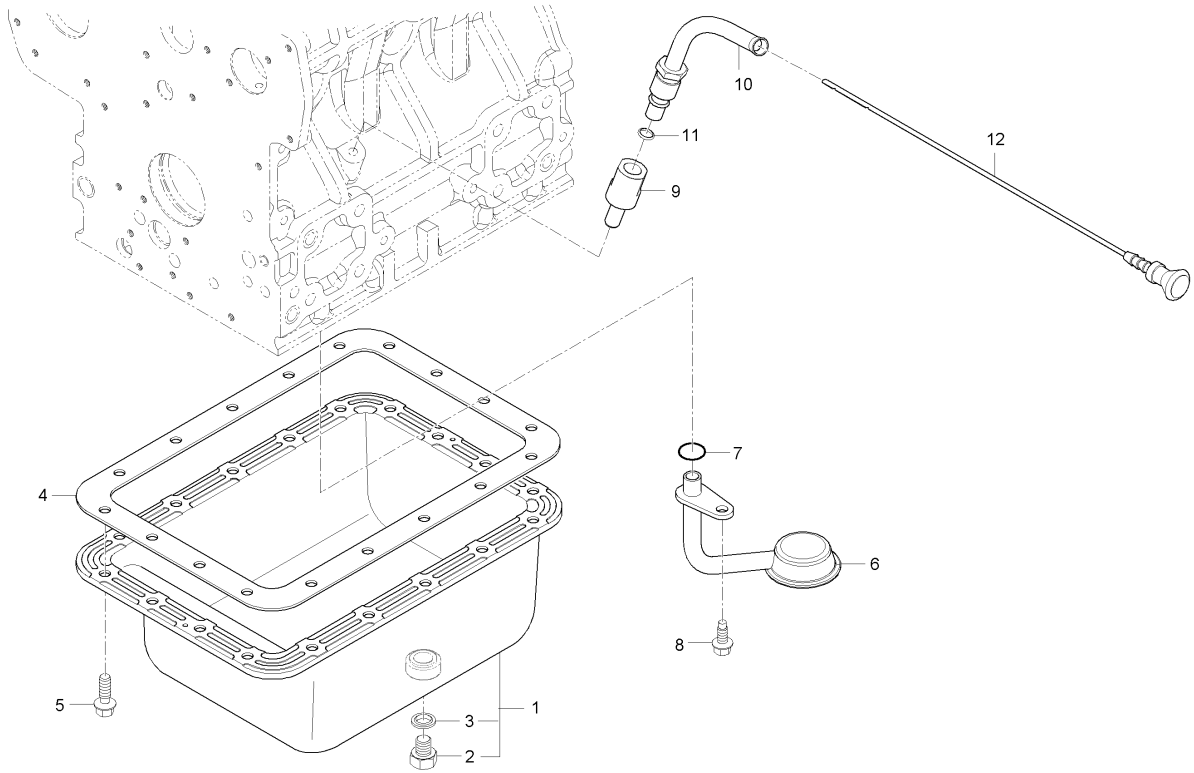
A : MEC2230SW-EU , B : MEC2230SA-EU , C : MEC2230ST-EU

No.	Part Number	Description	Q'TY					I.C	Remark
			A	B	C	D	E		
19	E5700-35662	GEAR, OIL PUMP DRIVE	1	1	1				
20	05712-00408	KEY	1	1	1			5*5*12	
21	E5753-35681	NUT, FLANGE	1	1	1				
22	E5500-39013	OIL SWITCH	1	1	1				
23	E5760-23471	METAL 1, CRANKSHAFT	1	1	1				

<- - -> Old replace New
 <-X-> Not interchangeable
 <-O-> Interchangeable with another part(s)
 <- - -> New replace Old
 <- - -> Interchangeable

3C100LWU-E020

OIL PAN GROUP



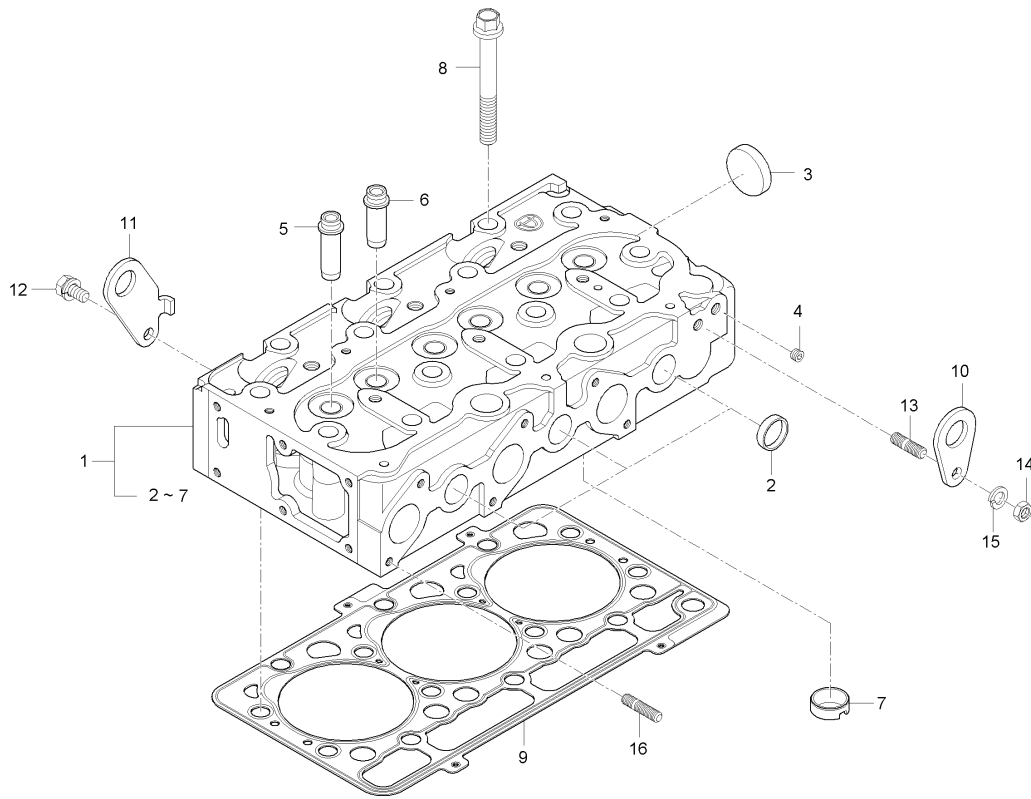
A : MEC2230SW-EU , B : MEC2230SA-EU , C : MEC2230ST-EU

No.	Part Number	Description	Q'TY					I.C	Remark
			A	B	C	D	E		
1	E5775-A0072	ASSY FAN,OIL	1	1	1				
2	E1100-33752	PLUG, DRAIN	1	1	1				
3	E6303-33661	GASKET	1	1	1				
4	E5700-01624	GASKET, OIL PAN	1	1	1				
5	E5700-91094	BOLT	18	18	18				
6	E5775-32111	FILTER 1, OIL	1	1	1				
7	04811-00140	O RING	1	1	1				
8	01654-50820	BOLT, FLANGE WITH PIN	1	1	1				
9	E5752-35692	GUIDE, OIL GAUGE	1	1	1				
10	E5752-36422	GUIDE PIPE, OIL GAUGE	1	1	1				
11	E7310-36431	PACKING	1	1	1				
12	E5752-36412	OIL GAUGE	1	1	1				

----> Old replace New
 <-X-> Not interchangeable
 <-O> Interchangeable with another part(s)
 <--- New replace Old
 <---> Interchangeable

3C100LW-E030

CYLINDER HEAD COVER GROUP



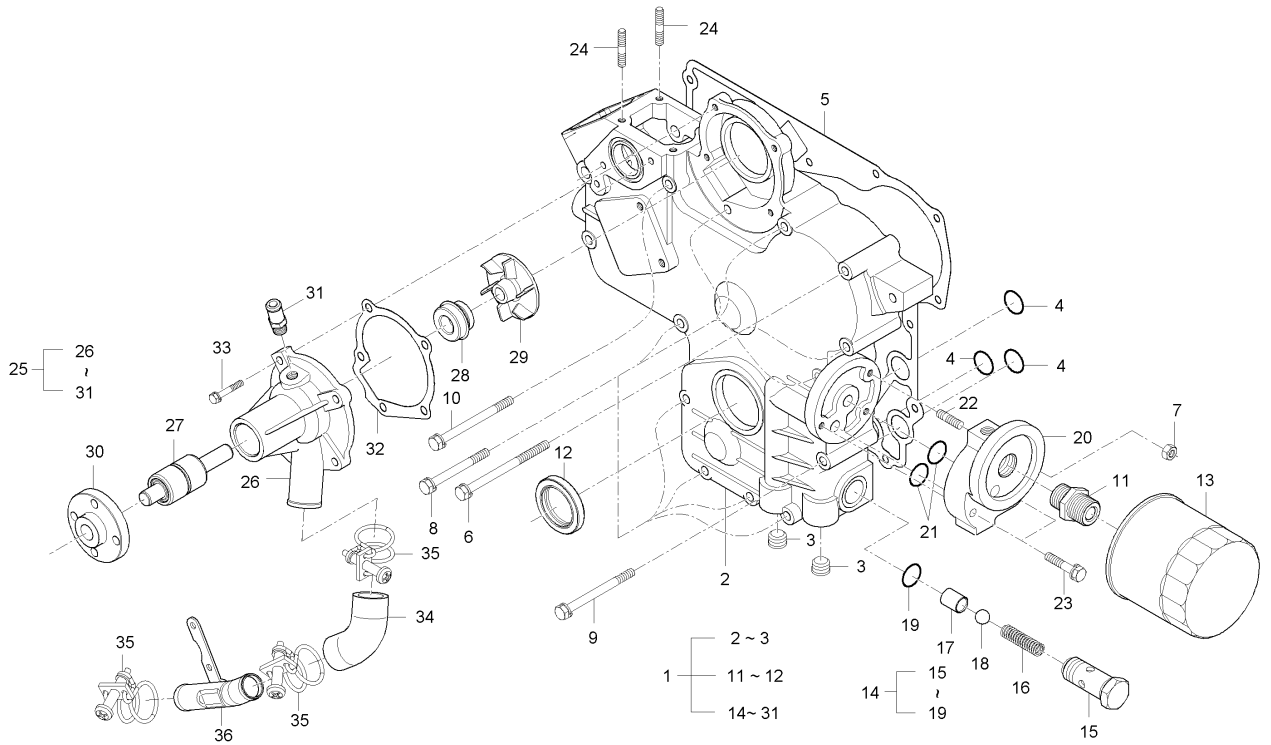
A : MEC2230SW-EU , B : MEC2230SA-EU , C : MEC2230ST-EU

No.	Part Number	Description	Q'TY					I.C	Remark
			A	B	C	D	E		
1	E5763-A0304	TOTAL CYLINDER HEAD ASSY	1	1	1				
2	E5205-03371	CAP	5	5	5				
3	15321-9626-3	PLUG	1	1	1				
4	E5900-96021	PLUG	2	2	2				
5	E5205-13542	GUIDE, INTAKE VALVE	3	3	3				
6	E5205-13562	GUIDE, VALVE	3	3	3				
7	E5760-03141	HOT FLUG	3	3	3				
8	E5770-03451	BOLT, CYLINDER HEAD	14	14	14				
9	E5760-03314	GASKET, HEAD	1	1	1				
10	15221-0175-1	ENGINE HOOK	1	1	1				
11	E5760-01751	ENGINE HOOK	1	1	1				
12	01123-50816	BOLT, WASHER	1	1	1			M8*P1.25	
13	01513-50822	STUD	1	1	1			M8*1.25	
14	02763-50080	FLANGE NUT	1	1	1			M8*P1.25	
15	04512-50080	SPRING WASHER	1	1	1			M8	
16	01513-50620	STUD	6	6	6				

-----> Old replace New
 <-X-> Not interchangeable
 <-O-> Interchangeable with another part(s)
 <--- New replace Old
 <---> Interchangeable

3C100A-E040

GEAR CASE GROUP



A : MEC2230SW-EU , B : MEC2230SA-EU , C : MEC2230ST-EU

No.	Part Number	Description	Q'TY					I.C	Remark
			A	B	C	D	E		
1	E5760-A0205	GEARCASE ASSY	1	1	1				
2	E5760-04114	CASE, GEAR	1	1	1				
3	E5900-96031	PLUG	2	2	2				
4	04811-06130	O RING	3	3	3				
5	E5760-04132	GASKET, GEAR CASE	1	1	1				
6	E5752-91031	BOLT, WASHER	2	2	2				
7	02761-50060	FLANGE NUT	2	2	2			M6XP1.0	
8	01023-50665	BOLT, WASHER	9	9	9			MEX10*76	
9	01023-50670	BOLT, WASHER	2	2	2			MEX10*81	
10	01023-50675	BOLT, WASHER	1	1	1			MEX10*86	
11	E5205-32291	TUBE, CONNECTING	1	1	1				
12	09550-00008	SEAL, OIL	1	1	1				
13	E5205-32091	FILTER	1	1	1				
14	E5700-36071	RELIFE VALVE ASSY	1	1	1				
15	E5700-36911	BODY, RELIEF VALVE	1	1	1				
16	15241-3695-2	SPRING	1	1	1				
17	E5700-36932	SEAT, VALVE	1	1	1				
18	07715-03213	STEEL BALL	1	1	1			13/32" (10. 31 88)	
19	04810-00150	O RING	1	1	1				

----> Old replace New

<-X-> Not interchangeable

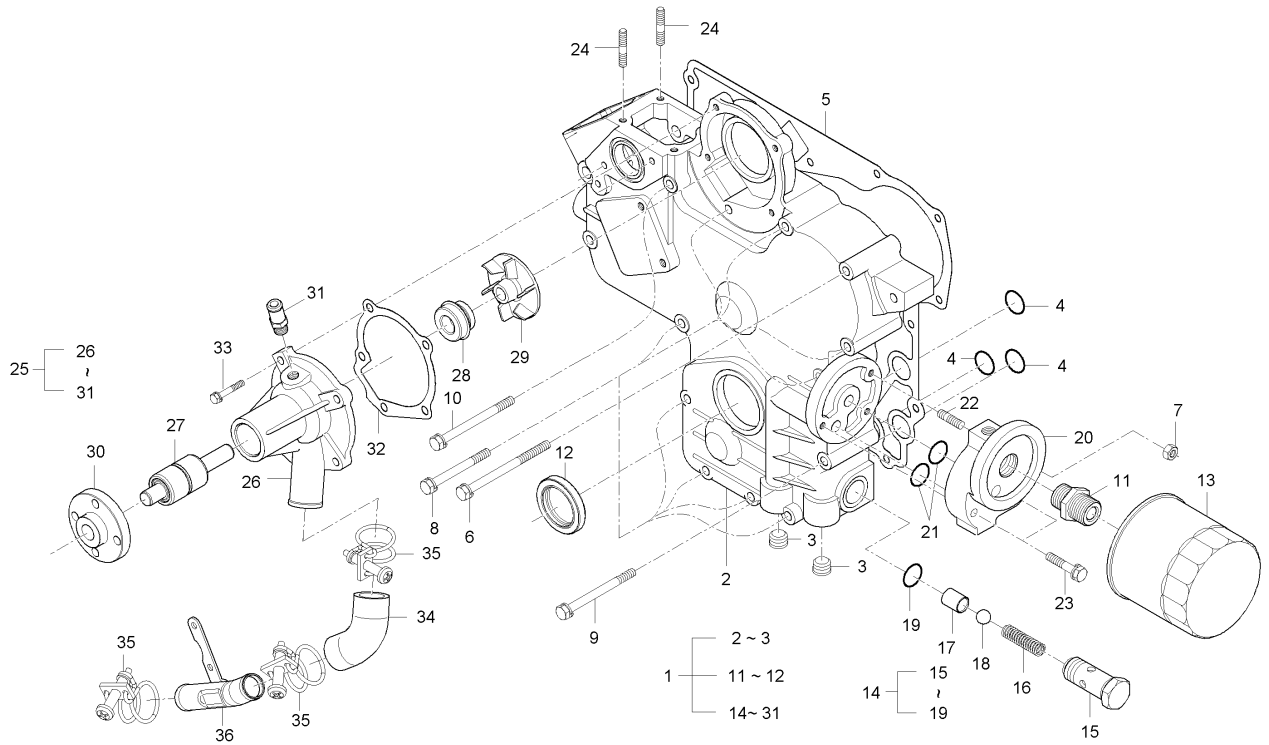
<-O-> Interchangeable with another part(s)

<--- New replace Old

<--- Interchangeable

3C100A-E040

GEAR CASE GROUP



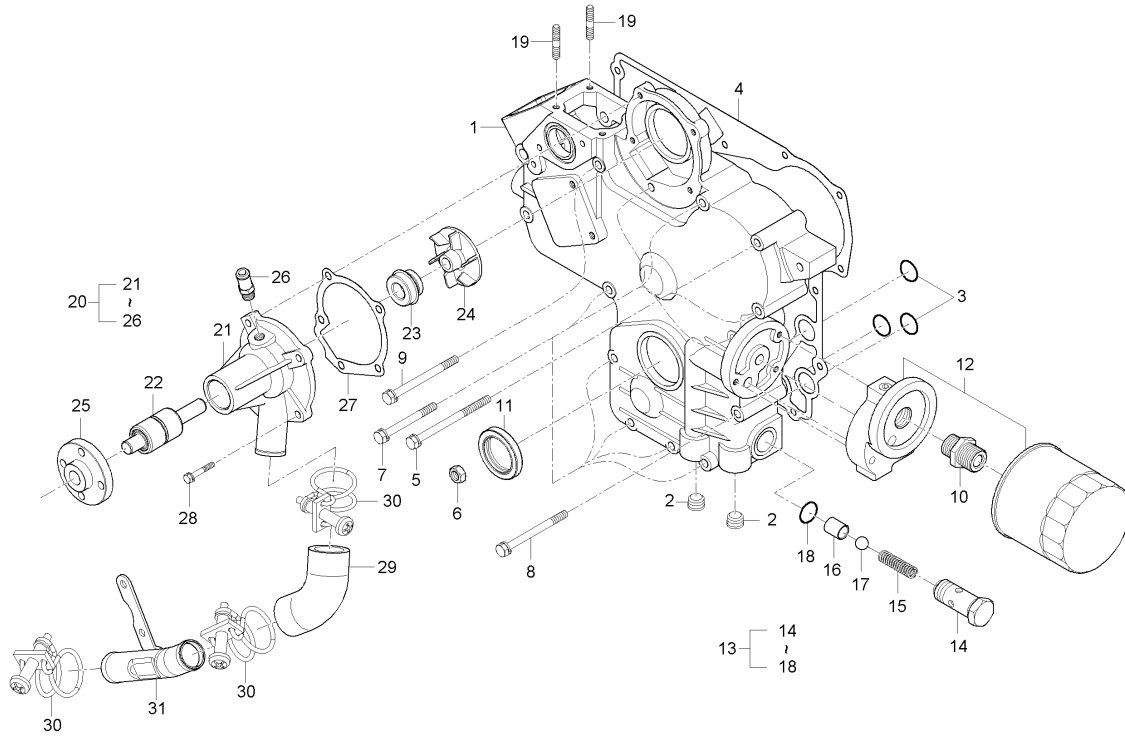
A : MEC2230SW-EU , B : MEC2230SA-EU , C : MEC2230ST-EU

No.	Part Number	Description	Q'TY					I.C	Remark
			A	B	C	D	E		
20	E5700-32313	SUPPORT, OIL FILTER	1	1	1				
21	04811-05140	O RING	2	2	2				
22	01513-50618	STUD	1	1	1			M6*1.0	
23	01023-50630	BOLT, WASHER	2	2	2				
24	01513-50614	STUD	2	2	2				
25	E5760-73032	WATER PUMP ASSY	1	1	1				
25	E5760-73033	WATER PUMP ASSY	1	1	1			<--->	
26	E5760-73042	BODY, WATER PUMP	1	1	1				
26	E5760-73043	BODY, WATER PUMP	1	1	1			<--->	
27	E5205-73551	BEARING	1	1	1				
27	E5760-73551	BEARING	1	1	1			<--->	
28	E5800-73052	MECHANICAL SEAL ASSY	1	1	1				
29	E5760-73512	IMPELLER	1	1	1				
30	E5205-73523	FLANGE	1	1	1				
30	E5205-73524	FLANGE	1	1	1			<--->	
31	E5700-73342	HOSE, COOLING WATER RETURN	1	1	1				
32	E5760-73432	GASKET, WATER PUMP	1	1	1				
33	01023-50625	BOLT	4	4	4			M6XP1.0	
34	E5205-72951	HOSE 3, COOLING WATER	1	1	1				

<---> Old replace New
 <-X-> Not interchangeable
 <-O-> Interchangeable with another part(s)
 <---> New replace Old
 <---> Interchangeable

3C100LW-E040

GEAR CASE GROUP



A : MEC2230SW-EU , B : MEC2230SA-EU , C : MEC2230ST-EU

No.	Part Number	Description	Q'TY					I.C	Remark
			A	B	C	D	E		
1	E5760-A0205	GEARCASE ASSY	1	1	1				
2	E5900-96031	PLUG	2	2	2				
3	04811-06130	O RING	3	3	3				
4	E5760-04133	GASKET, GEAR CASE	1	1	1				
5	E5752-91031	BOLT, WASHER	2	2	2				
6	02761-50060	FLANGE NUT	2	2	2				M6XP1.0
7	01023-50665	BOLT, WASHER	9	9	9				MEX10*76
8	01023-50670	BOLT, WASHER	2	2	2				MEX10*81
9	01023-50675	BOLT, WASHER	1	1	1				MEX10*86
10	E5205-32291	TUBE, CONNECTING	1	1	1				
11	09550-00008	SEAL, OIL	1	1	1				
12	E5205-32091	FILTER	1	1	1				
13	E5700-36071	RELIEF VALVE ASSY	1	1	1				
14	E5700-36911	BODY, RELIEF VALVE	1	1	1				
15	15241-3695-2	SPRING	1	1	1				
16	E5700-36932	SEAT, VALVE	1	1	1				
17	07715-03213	STEEL BALL	1	1	1				13/32" (10.3188)
18	04810-00150	O RING	1	1	1				
19	01513-50614	STUD	2	2	2				

----> Old replace New

<-X-> Not interchangeable

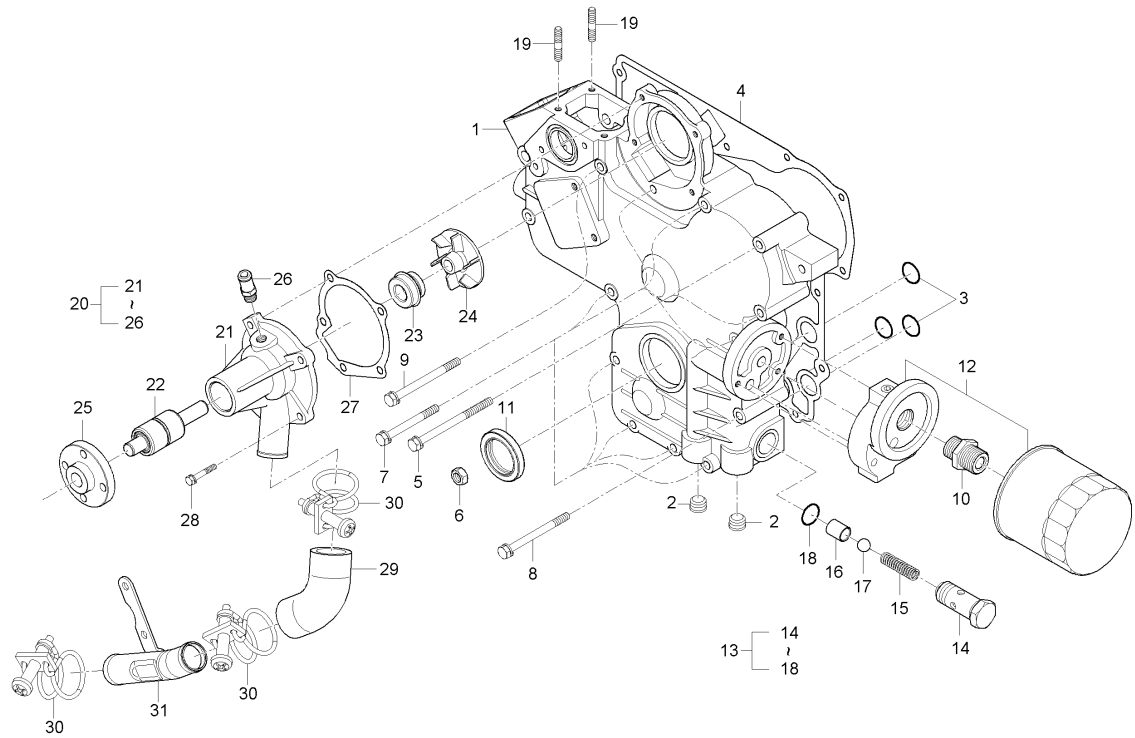
<-O-> Interchangeable with another part(s)

<---- New replace Old

<----> Interchangeable

3C100LW-E040

GEAR CASE GROUP



A : MEC2230SW-EU , B : MEC2230SA-EU , C : MEC2230ST-EU

No.	Part Number	Description	Q'TY					I.C	Remark
			A	B	C	D	E		
20	E5760-73032	WATER PUMP ASSY	1	1	1				
20	E5760-73033	WATER PUMP ASSY	1	1	1			<--->	
21	E5760-73042	BODY, WATER PUMP	1	1	1				
21	E5760-73043	BODY, WATER PUMP	1	1	1			<--->	
22	E5205-73551	BEARING	1	1	1				
22	E5760-73551	BEARING	1	1	1			<--->	
23	E5800-73052	MECHANICAL SEAL ASSY	1	1	1				
24	E5760-73512	IMPELLER	1	1	1				
25	E5205-73523	FLANGE	1	1	1				
25	E5205-73524	FLANGE	1	1	1			<--->	
26	E5700-73342	HOSE, COOLING WATER RETURN	1	1	1				
27	E5760-73432	GASKET, WATER PUMP	1	1	1				
28	01023-50625	BOLT	4	4	4			M6XP1.0	
29	E5205-72951	HOSE 3, COOLING WATER	1	1	1				
30	E5752-18171	CLAMP, STAINLESS HOSE	3	3	3				
31	E5760-72872	HOSE, REFRIGERANT	1	1	1				

----> Old replace New

<-X-> Not interchangeable

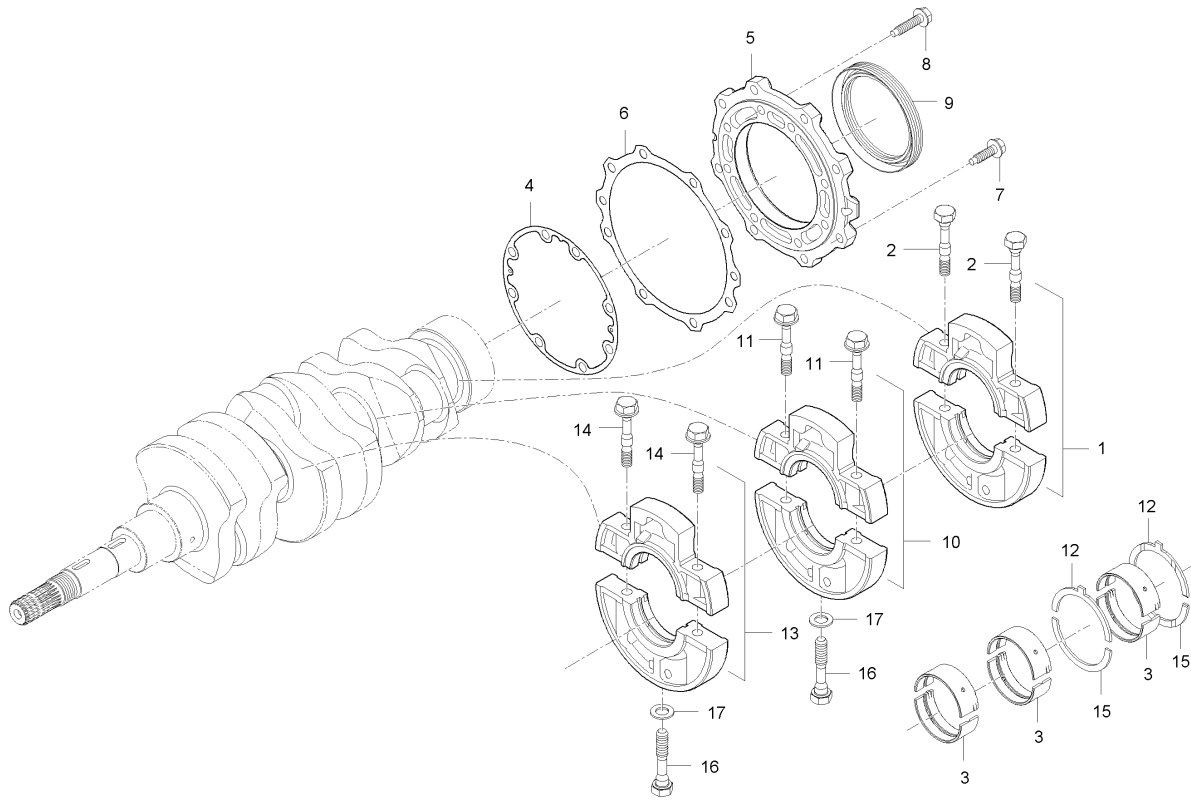
<-O-> Interchangeable with another part(s)

<---- New replace Old

<---> Interchangeable

3C100A-E050

MAIN BEARING CASE GROUP



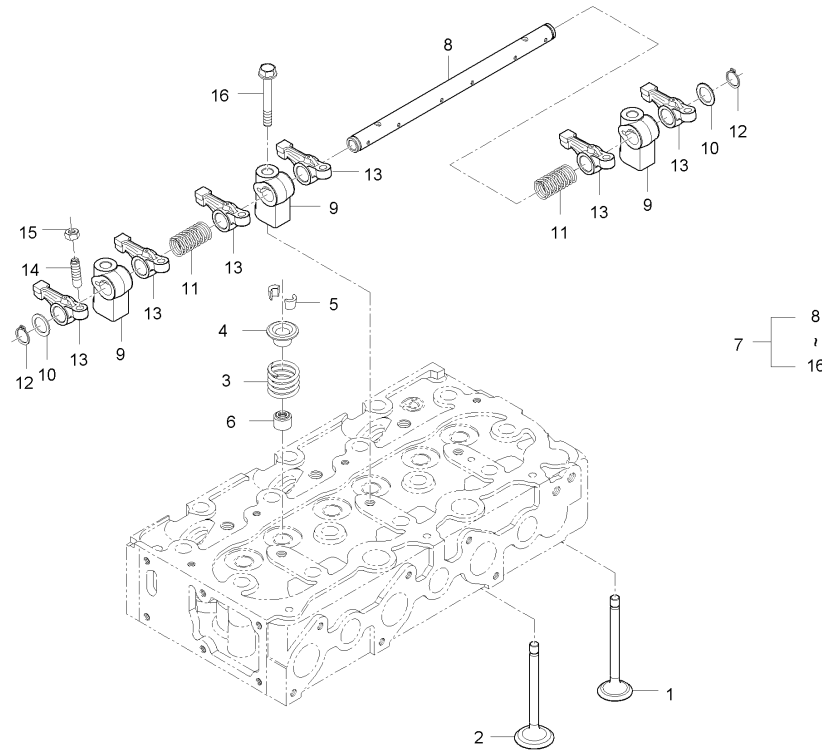
A : MEC2230SW-EU , B : MEC2230SA-EU , C : MEC2230ST-EU

No.	Part Number	Description	Q'TY					I.C	Remark
			A	B	C	D	E		
1	E5760-04043	BEARING CASE ASSY	1	1	1				
2	E5761-04541	BOLT 1, BEARING CASE	2	2	2				
3	E5760-23481	METAL 2, CRANKSHAFT	6	6	6				
4	E5760-04361	GASKET, BEARING CASE	1	1	1				
5	E5760-04811	COVER, BEARING CASE	1	1	1				
6	E5760-04822	GASKET, COVER	1	1	1				
7	01754-50825	FLANGE BOLT	8	8	8			M8XP1.25	
8	01754-50822	BOLT, FLANGE	9	9	9				
9	E5760-04461	SEAL, OIL	1	1	1				
10	E5760-04053	MAIN BEARING CASE ASSY, 1	1	1	1				
11	E5761-04541	BOLT 1, BEARING CASE	2	2	2				
12	E5760-23531	SIDE METAL, 1	2	2	2				
13	E5760-04063	MAIN BEARING CASE ASSY, 2	1	1	1				
14	E5761-04541	BOLT 1, BEARING CASE	2	2	2				
15	E5760-23541	SIDE METAL, 2	2	2	2				
16	E5205-04561	BOLT 2, BEARING CASE	2	2	2				
17	04014-50080	WASHER, PLAIN	2	2	2				

-----> Old replace New
 <-X-> Not interchangeable
 <-O-> Interchangeable with another part(s)
 <--- New replace Old
 <---> Interchangeable

3C100A-E080

VALVE ROCKER ARM GROUP



A : MEC2230SW-EU , B : MEC2230SA-EU , C : MEC2230ST-EU

No.	Part Number	Description	Q'TY					I.C	Remark
			A	B	C	D	E		
1	E5760-13111	VALVE, INTAKE	3	3	3				
2	E5760-13121	EXHAUST VALVE	3	3	3				
3	E5205-13241	SPRING, VALVE	6	6	6				
4	E5700-13332	RETAINER, VALVE SPRING	6	6	6				
5	E5763-13361	COLLET, VALVE SPRING	12	12	12				
6	E5205-13152	SEAL, VALVE STEM	6	6	6				
7	E5753-14001	ROCKER ARM TOTAL ASSY	1	1	1				
8	E5753-14051	ROCKER ARM SHAFT ASSY	1	1	1				
9	E5753-14351	SUPPORT, ROCKER ARM	3	3	3				
10	E5753-14431	WASHER, PLAIN	2	2	2				
11	E5753-14311	SPRING, ROCKER ARM	2	2	2				
12	04612-00130	SNAP RING	2	2	2				
13	E5753-14111	ARM, ROCKER	6	6	6				
14	E5700-14232	SCREW, ADJUSTING	6	6	6				
15	E5205-14241	NUT, ADJUSTING	6	6	6				
16	E5752-91501	BOLT, ROCKER ARM SUPPORT	3	3	3				

----> Old replace New

<-X-> Not interchangeable

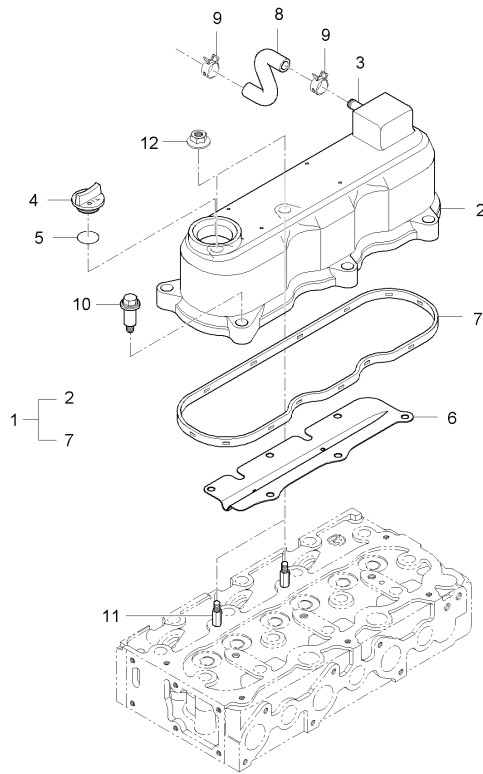
<-O-> Interchangeable with another part(s)

<--- New replace Old

<---> Interchangeable

3C093LW-E090

CYLINDER HEAD COVER GROUP



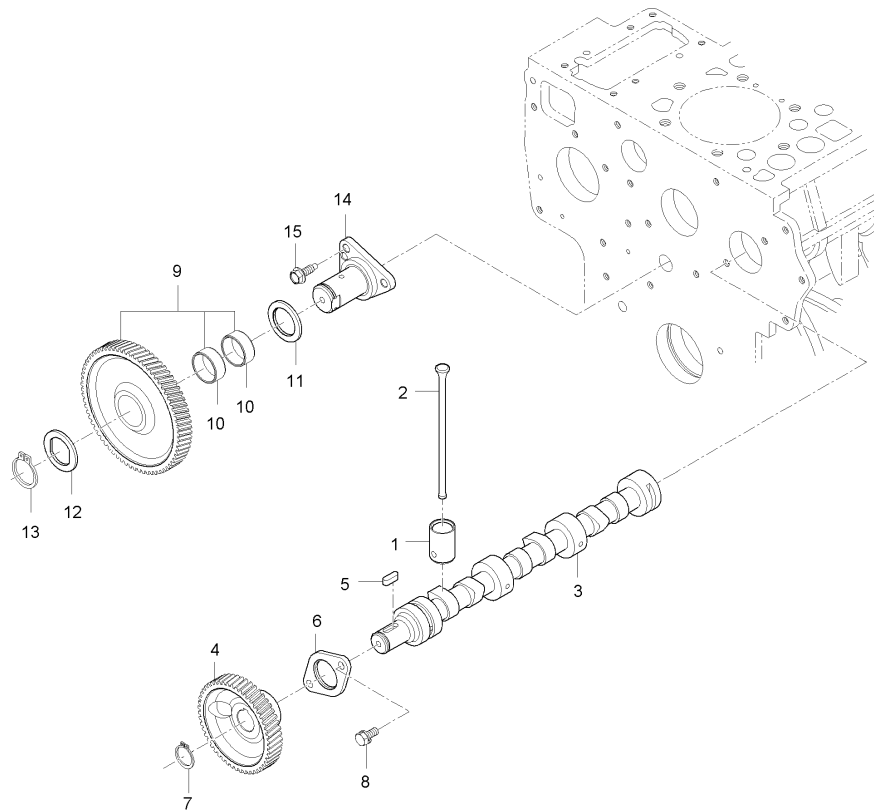
A : MEC2230SW-EU , B : MEC2230SA-EU , C : MEC2230ST-EU

No.	Part Number	Description	Q'TY					I.C	Remark
			A	B	C	D	E		
1	E5770-14501	CYLINDER HEAD COVER ASSY	1	1	1				
1	E5770-14502	CYLINDER HEAD COVER ASSY	1	1	1			<--->	
2	E5760-14511	COVER, CYLINDER HEAD	1	1	1				
3	E6510-05552	CONNECTOR, AIR BREATHER HOSE	1	1	1				
4	E5500-33142	PLUG, OIL FILLER	1	1	1				
5	04811-50300	O RING	1	1	1			G30	
6	E5752-14562	PLATE, OIL PROTECTING	1	1	1				
7	E5752-14521	GASKET, CYLINDER HEAD COVER	1	1	1				
7	E5752-14522	GASKET, CYLINDER HEAD COVER	1	1	1			<--->	
8	E6510-05511	HOSE, AIR BREATHER	1	1	1				
9	09318-88180	CLMAP, HOSE	2	2	2				
10	E6510-33661	BOLT, CYLINDER HEAD COVER	5	5	5				
11	E5500-33671	STUD, CYLINDER HEAD COVER	2	2	2				
12	E5500-35681	NUT, FLANGE	2	2	2				

<---> Old replace New
 <-X-> Not interchangeable
 <-O-> Interchangeable with another part(s)
 <---> New replace Old
 <---> Interchangeable

3C100A-E100

CAMSHAFT GROUP



A : MEC2230SW-EU , B : MEC2230SA-EU , C : MEC2230ST-EU

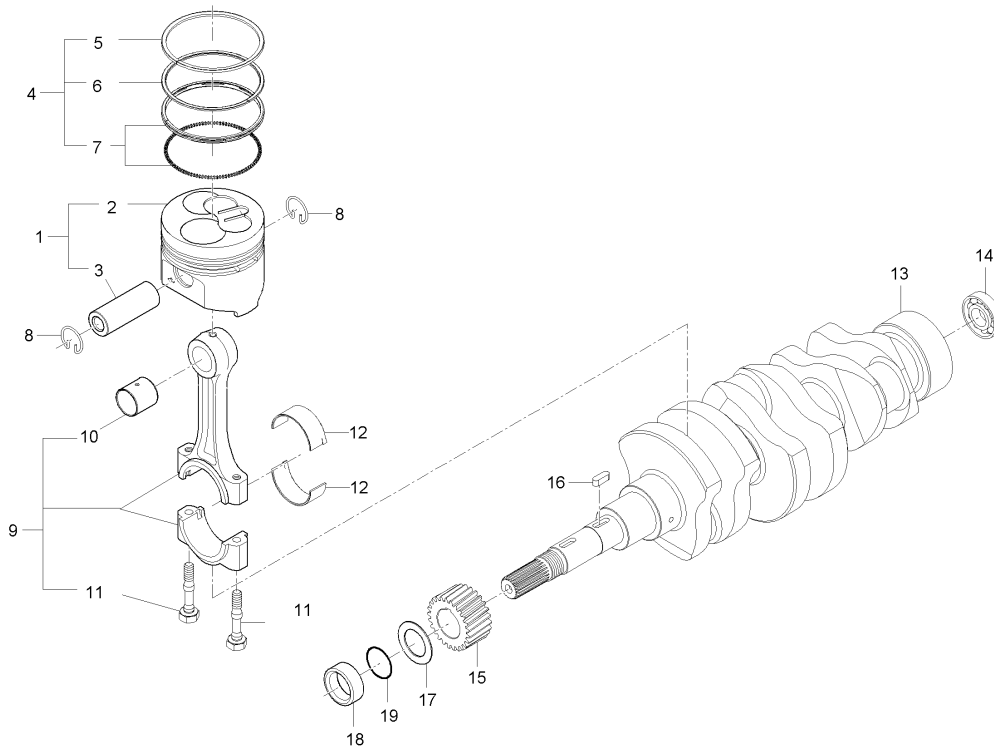
No.	Part Number	Description	Q'TY					I.C	Remark
			A	B	C	D	E		
1	E5700-15552	TAPPET	6	6	6				
2	E5760-15111	ROD, PUSH	6	6	6				
3	E5760-16011	CAMSHAFT ASSY	1	1	1				
4	E5205-16511	GEAR, CAMSHAFT	1	1	1				
5	05712-00515	KEY	1	1	1				
6	E5205-16272	STOP, CAM SHAFT	1	1	1				
7	04612-00180	SNAP RING	1	1	1				
8	01023-50614	BOLT, WASHER	2	2	2				M6P1.0
9	E5205-24012	IDLE GEAR ASSY	1	1	1				
10	E5205-24281	BUSH, IDLE GEAR	2	2	2				
11	E5205-24361	COLLAR, 1	1	1	1				
12	E5205-24371	COLLAR, 2	1	1	1				
13	E5205-24321	RING, SNAP	1	1	1				
14	E5700-24252	SHAFT, IDLE GEAR	1	1	1				
15	01654-50618	BOLT, FLANGE WITH PIN	3	3	3				

----> Old replace New
 <-X> Not interchangeable
 <-O> Interchangeable with another part(s)

<--- New replace Old
 <---> Interchangeable

3C100A-E110

PISTON & CRANKSHAFT GROUP



A : MEC2230SW-EU , B : MEC2230SA-EU , C : MEC2230ST-EU

No.	Part Number	Description	Q'TY					I.C	Remark
			A	B	C	D	E		
1	E5760-21011	PISTON PIN ASSY	3	3	3				
2	E5760-21111	PISTON	3	3	3				
3	E5760-21311	PIN, PISTON	3	3	3				
4	E5760-21051	PISTON RING ASSY	3	3	3				
5	E5760-21001	PISTON RING, 1	3	3	3				
6	E5700-21105	RING 2, PISTON	3	3	3				
7	E5760-21151	OIL RING ASSY	3	3	3				
8	E5205-21331	RING, SNAP	6	6	6				
9	E5760-22013	CONNECTOR ROD ASSY	3	3	3				
10	E5205-21354	BUSH, PISTON PIN	3	3	3				
11	E5760-22143	BOLT, CONNECTING ROD	6	6	6				
12	E5760-22311	METAL, CRANK PIN	6	6	6				
13	E5760-23011	CRANKSHAFT ASSY	1	1	1				
13	E5760-23012	CRANKSHAFT ASSY	1	1	1			<--->	
14	08121-06001	BALL BEARING	1	1	1			#6001ZZ	
15	E5205-24112	GEAR, CRANKSHAFT	1	1	1				
16	05712-00515	KEY	1	1	1				
17	E5205-23311	SLINGER, OIL	1	1	1				
18	E5700-23252	SPACER	1	1	1				

----- Q d repl ace New

<-X-> Not i nterchangeabl e

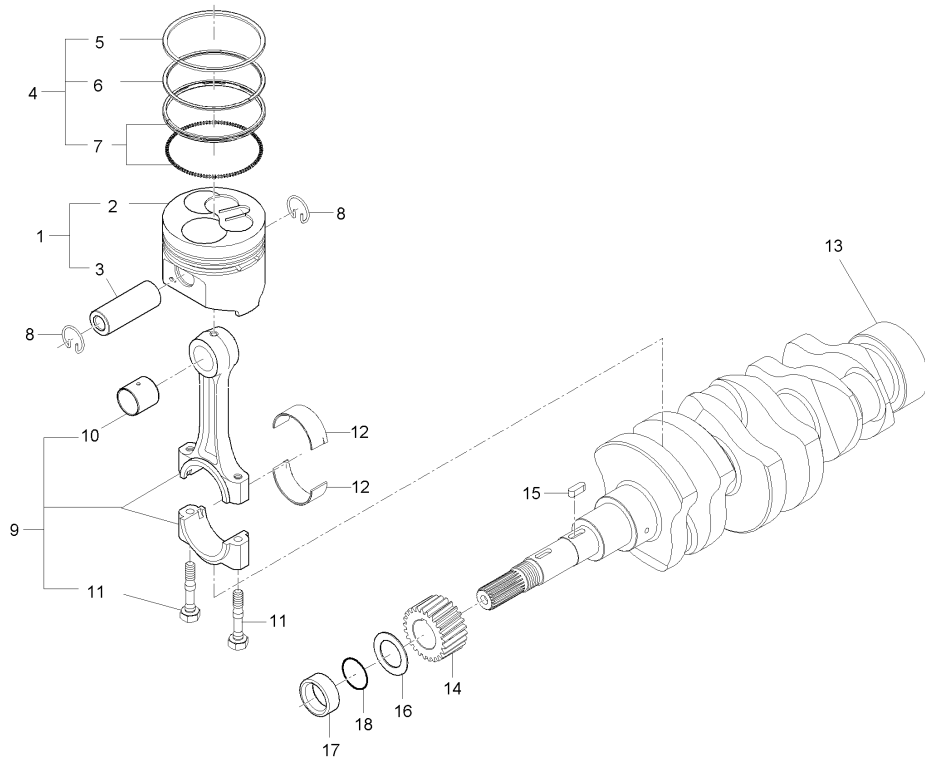
<-O-> I nterchangeabl e w ith another part(s)

<--- New repl ace Q d

<---> I nterchangeabl e

3C100LWU-E110

PISTON & CRANKSHAFT GROUP



A : MEC2230SW-EU , B : MEC2230SA-EU , C : MEC2230ST-EU

No.	Part Number	Description	Q'TY					I.C	Remark
			A	B	C	D	E		
1	E5760-21011	PISTON PIN ASSY	3	3	3				
2	E5760-21111	PISTON	3	3	3				
3	E5760-21311	PIN, PISTON	3	3	3				
4	E5760-21051	PISTON RING ASSY	3	3	3				
5	E5760-21001	PISTON RING, 1	3	3	3				
6	E5700-21105	RING 2, PISTON	3	3	3				
7	E5760-21151	OIL RING ASSY	3	3	3				
8	E5205-21331	RING, SNAP	6	6	6				
9	E5760-22013	CONNECTOR ROD ASSY	3	3	3				
10	E5205-21354	BUSH, PISTON PIN	3	3	3				
11	E5760-22143	BOLT, CONNECTING ROD	6	6	6				
12	E5760-22311	METAL, CRANK PIN	6	6	6				
13	E5760-23011	CRANKSHAFT ASSY	1	1	1				
13	E5760-23012	CRANKSHAFT ASSY	1	1	1			<--->	
14	E5205-24112	GEAR, CRANKSHAFT	1	1	1				
15	05712-00515	KEY	1	1	1				
16	E5205-23311	SLINGER, OIL	1	1	1				
17	E5700-23252	SPACER	1	1	1				
18	04811-10220	O RING	1	1	1				

----- Old replace New

<-X-> Not interchangeable

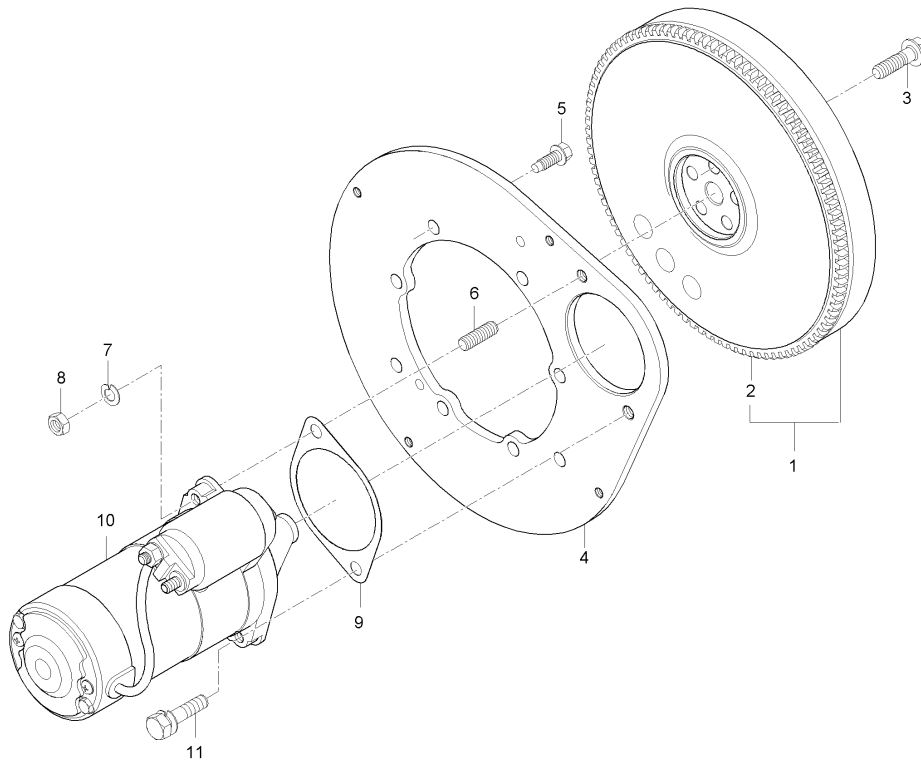
<-O-> Interchangeable with another part(s)

<--- New replace Old

<---> Interchangeable

3C100LWU-E120

FLYWHEEL GROUP



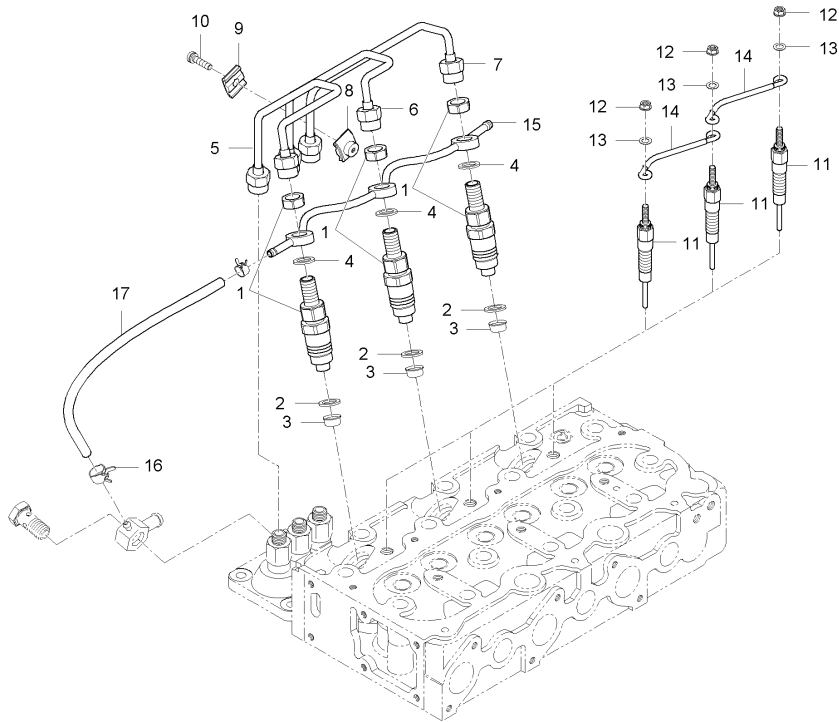
A : MEC2230SW-EU , B : MEC2230SA-EU , C : MEC2230ST-EU

No.	Part Number	Description	Q'TY					I.C	Remark
			A	B	C	D	E		
1	E5775-25012	FLYWHEEL ASSY	1	1	1				
2	E5250-63821	RING GEAR	1	1	1				
3	E5743-25161	BOLT, FLYWHEEL	5	5	5				
4	E5775-04621	PLATE, REAR END	1	1	1				
5	01517-51028	STUD	1	1	1			DI A10*48	
6	02176-50100	NUT	1	1	1			M0XP1.25	
7	04512-50100	WASHER, SPRING	1	1	1			M0	
8	E5752-91141	BOLT, FLANGE WITH PIN	8	8	8				
9	E5700-51162	GASKET	1	1	1				
10	E5760-63011	START MOTOR ASSY	1	1	1				
11	01133-51030	BOLT, WASHER	1	1	1			M0*1.25	

----> Old replace New
 <-X-> Not interchangeable
 <-O-> Interchangeable with another part(s)
 <--- New replace Old
 <--- Interchangeable

3C100LWU-E130

NOZZLE HOLDER GROUP



A : MEC2230SW-EU , B : MEC2230SA-EU , C : MEC2230ST-EU

No.	Part Number	Description	Q'TY					I.C	Remark
			A	B	C	D	E		
1	E6300-53005	NOZZLE HOLDER ASSY	3	3	3				
1	E5760-53001	ASSY HOLDER,NOZZLE 1	3	3	3			<---	
2	E6300-53021	GASKET	3	3	3				
3	E6300-53651	SEAL, HEAT SHILD	3	3	3				
4	E6300-53621	GASKET	3	3	3				
5	E5775-53711	TUBE 1, INJECTION	1	1	1				
6	E5775-53721	TUBE 2, INJECTION	1	1	1				
7	E5775-53731	TUBE 3, INJECTION	1	1	1				
8	15121-5385-2	CLAMP 1, TUBE	2	2	2				
9	T4815-67371	HOLDER, TUBE	2	2	2				
10	03024-50520	SCREW, WASHER	2	2	2				DI A10*28
11	E5760-65511	GLOW PLUG	3	3	3				
12	02761-50040	NUT, FLANGE	3	3	3				
13	04012-50050	WASHER, PLAIN	3	3	3				
14	E5760-65562	CORD, GLOW PLUG	2	2	2				
15	E5760-42502	OVERFLOW HOSE ASSY	1	1	1				
16	09318-88080	CLMAP, HOSE	2	2	2				
17	09661-40200	HOSE, FUEL	1	1	1				

----> Old replace New

<-X-> Not interchangeable

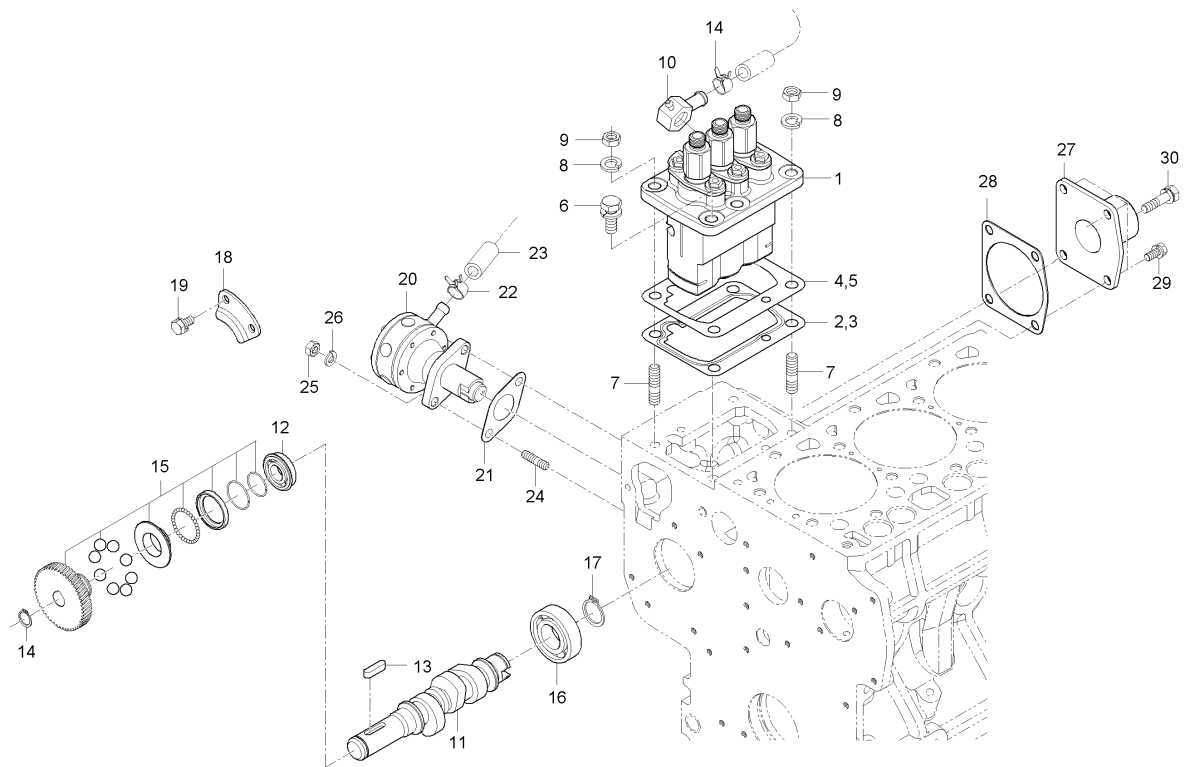
<-O-> Interchangeable with another part(s)

<--- New replace Old

<---> Interchangeable

3C100LWU-E140

FUEL CAMSHAFT GROUP



A : MEC2230SW-EU , B : MEC2230SA-EU , C : MEC2230ST-EU

No.	Part Number	Description	Q'TY					I.C	Remark
			A	B	C	D	E		
1	E5700-51016	ASSY PUMP,INJECTION	1	1	1				
2	E8103-52111	SHIM,INJECTION PUMP	2	2	2				
3	E5603-52111	SHIM,INJECTION PUMP	2	2	2				
4	15321-5216-1	SHIM, INJECTION PUMP 10	1	1	1				
5	E5800-52111	SHIM 3, INJECTION PUMP	99	99	99				
6	01123-50818	BOLT, WASHER	2	2	2				M8*P1.25
7	01513-50822	STUD	2	2	2				M8*1.25
8	04512-50080	SPRING WASHER	2	2	2				M08
9	02156-50080	NUT	2	2	2				M8*P1.25
10	E6500-42413	JOINT, FUEL PIPE	1	1	1				
11	E5760-16171	FUEL CAMSHAFT	1	1	1				
12	08153-06004	BALL BEARING	1	1	1				#6004
13	05712-00520	KEY, ROUND	1	1	1				
14	04612-00180	SNAP RING	1	1	1				
15	E5700-A0021	GOVERNOR SLEEVE ASSY	1	1	1				
16	08103-06004	BALL BEARING	1	1	1				#6004
17	04612-00190	SNAP RING	1	1	1				
18	E5205-16321	FUEL CAMSHAFT STOPPER	1	1	1				
19	01023-50612	BOLT, WASHER	2	2	2				M6*P1.0

----> Old replace New

<-X-> Not interchangeable

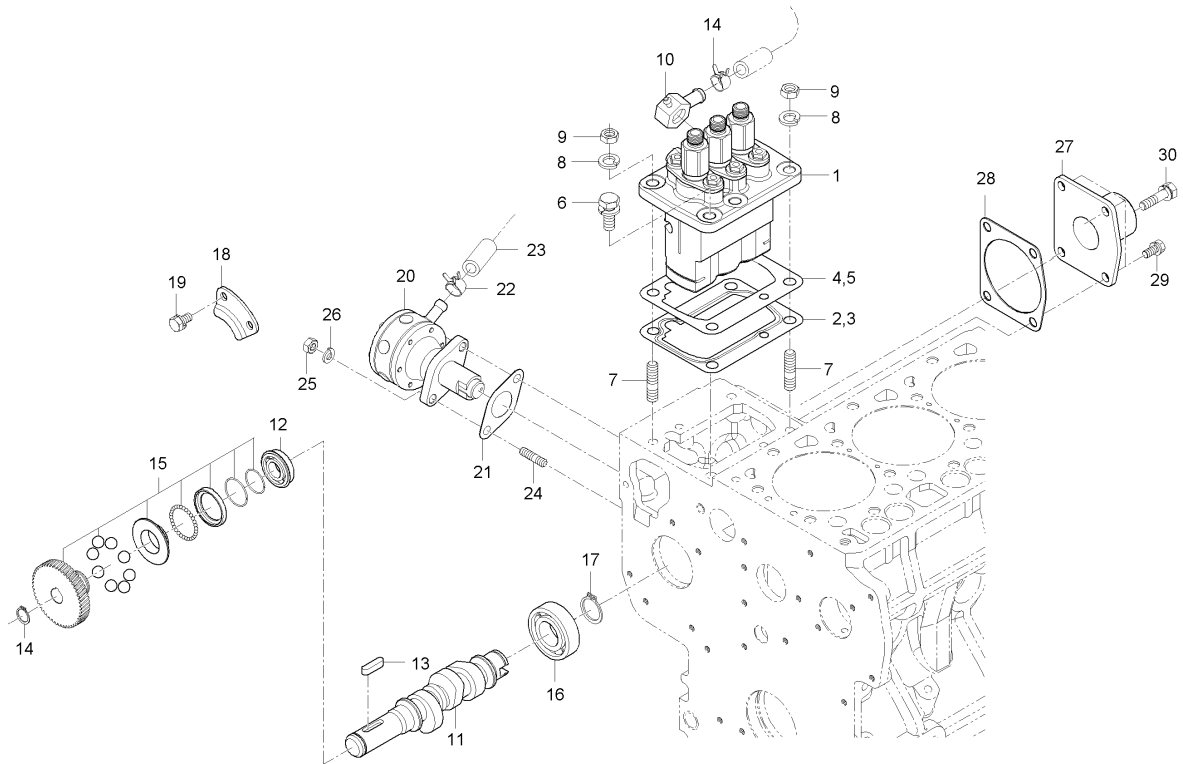
<-O-> Interchangeable with another part(s)

<--- New replace Old

<--- Interchangeable

3C100LWU-E140

FUEL CAMSHAFT GROUP



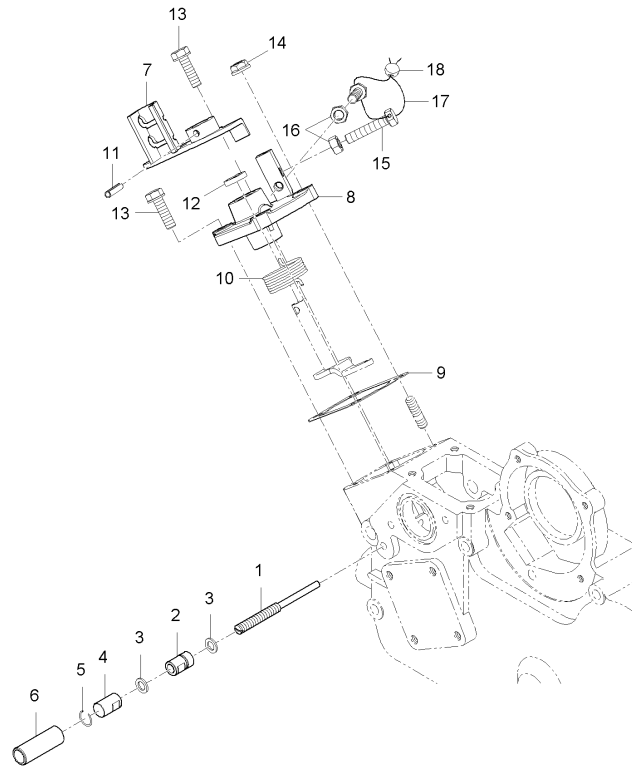
A : MEC2230SW-EU , B : MEC2230SA-EU , C : MEC2230ST-EU

No.	Part Number	Description	Q'TY					I.C	Remark
			A	B	C	D	E		
20	E5775-52031	FUEL PUMP ASSY	1	1	1				
21	E6200-52142	GASKET, FUEL PUMP	1	1	1				
22	14911-4275-1	CLIP, TUBE	2	2	2				
23	15371-4217-0	HOSE 1, FUEL	1	1	1				
24	01513-50618	STUD	2	2	2			M6*1.0	
25	02056-50060	NUT	2	2	2			M6*P1.0	
26	04512-50060	WASHER, SPRING	2	2	2			M6	
27	E5760-16211	COVER, CAMSHAFT	1	1	1				
28	E5760-36332	GASKET, FUEL CAMSHAFT COVER	1	1	1				
29	01123-50818	BOLT, WASHER	3	3	3			M8*P1.25	
30	01123-50830	BOLT, WASHER	1	1	1			M8P1.25*30	

<- - - -> Old replace New
 <-X-> Not interchangeable
 <-O-> Interchangeable with another part(s)
 <- - - -> New replace Old
 <- - - -> Interchangeable

3C100A-E150

SPEED CONTROL LEVER GROUP



A : MEC2230SW-EU , B : MEC2230SA-EU , C : MEC2230ST-EU

No.	Part Number	Description	Q'TY					I.C	Remark
			A	B	C	D	E		
1	E5760-54123	BOLT, FUEL ADJUSTING	1	1	1				
2	E6305-92021	NUT	1	1	1				
3	E6305-96652	GASKET	2	2	2				
4	E6305-54221	CAP NUT	1	1	1				
5	E6305-54281	SNAP RING	1	1	1				
6	E6305-54421	CAP	1	1	1				
7	E5760-57151	LEVER, SPEED CONTROL	1	1	1				
8	E5850-57112	PLATE, SPEED CONTROL	1	1	1				
9	E5850-57212	GASKET, SPEED CONTROL PLATE	1	1	1				
10	E5850-57921	SPRING	1	1	1				
10	E5850-57922	SPRING	1	1	1			<--->	
11	05411-00420	PIN, SPRING	1	1	1				
12	15471-5798-1	SEAL, OIL	1	1	1				
13	01754-50620	BOLT, FLANGE	3	3	3				
14	02751-50060	FLANGE NUT	1	1	1				M6*P1.0
15	E5753-57281	SCREW, STOPPER	1	1	1				
16	02056-50060	NUT	2	2	2				M6*P1.0
17	07811-10820	WIRE	1	1	1				
18	07918-00001	LEAD, SEALING	1	1	1				

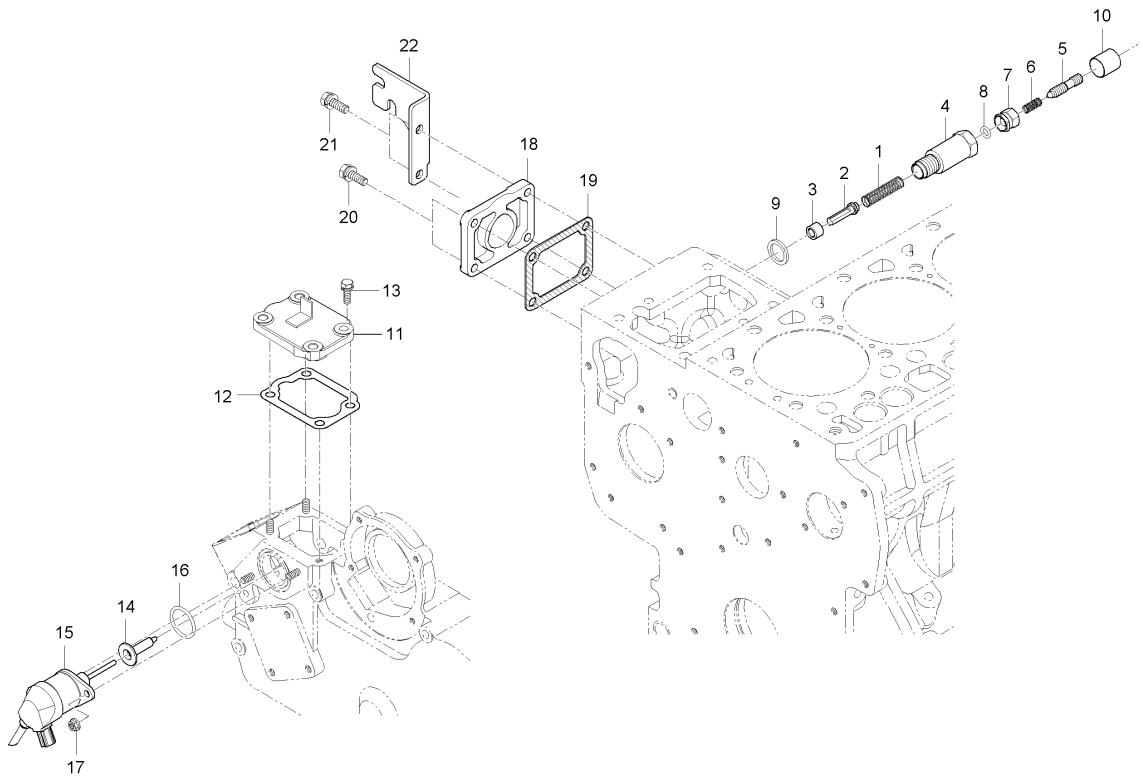
----> Old replace New

<-X-> Not interchangeable

<-O-> Interchangeable with another part(s)

<--- New replace Old

<---> Interchangeable



A : MEC2230SW-EU , B : MEC2230SA-EU , C : MEC2230ST-EU

No.	Part Number	Description	Q'TY					I.C	Remark
			A	B	C	D	E		
1	E5760-56481	START SPRING	1	1	1				
2	E5850-54272	SHAFT, IDLE ADJUSTMENT	1	1	1				
3	E5850-54282	BUSH	1	1	1				
4	E5850-54291	ADJUSTMENT BODY, IDLE	1	1	1				
5	E5850-54252	IDEL ADJUSTING BOLT	1	1	1				
6	E5760-54263	SPRING, IDLE LIMIT	1	1	1				
7	E5850-92011	NUT	1	1	1				
8	04811-00060	O RING	1	1	1				
9	04724-00140	PACKING	1	1	1				
10	E5205-54271	CAP	1	1	1				
11	E6850-57312	COVER, ENGINE STOP LEVER	1	1	1				
11	E6850-57313	COVER, ENGINE STOP LEVER	1	1	1			<--->	
12	E5850-57212	GASKET, SPEED CONTROL PLATE	1	1	1				
13	01754-50616	BOLT, FLANGE	2	2	2			M6*P1.0	
14	E5760-56602	ENGINE STOP SOLENOIDE GUIDE	1	1	1				
15	E6820-60011	GROUP,ENGINE STOP SOLENOIDE	1	1	1				
16	04814-06310	O RING	1	1	1				
17	02751-50060	FLANGE NUT	2	2	2			M6*P1.0	
18	E5760-33111	COVER, INJECTION PUMP	1	1	1				

----> Old replace New

<-X-> Not interchangeable

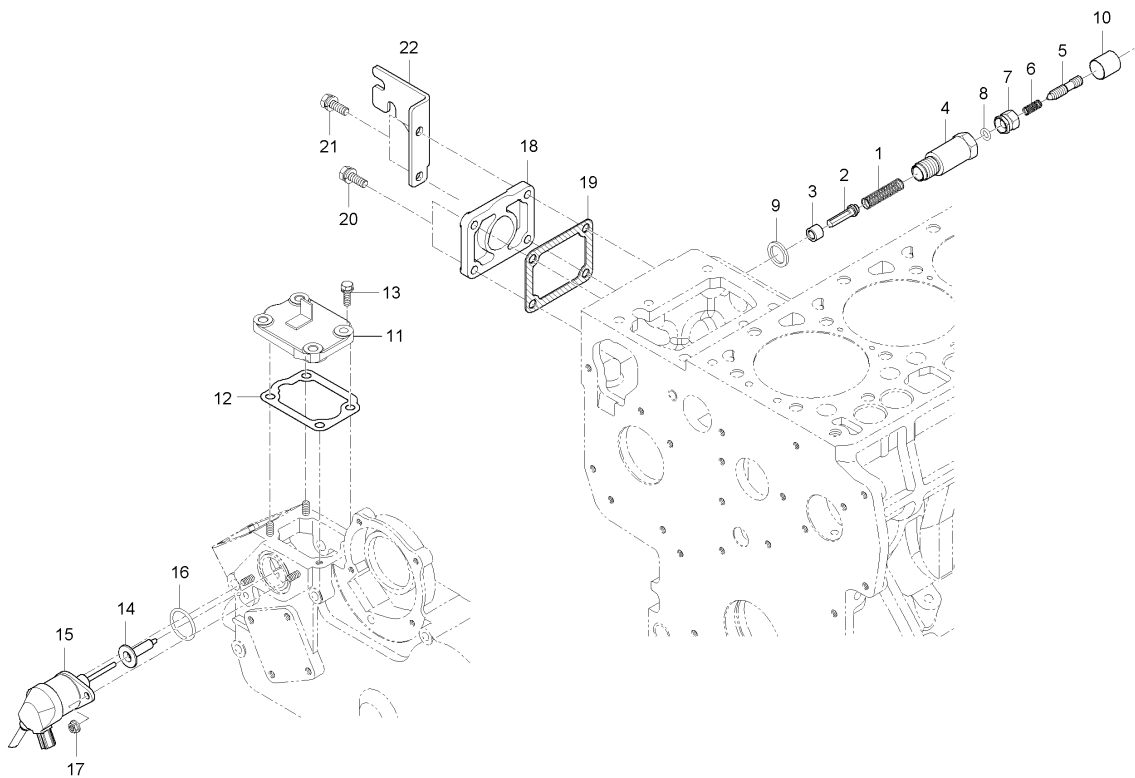
<-O-> Interchangeable with another part(s)

<---> New replace Old

<---> Interchangeable

3C100LW-C-E160

ENGINE STOP LEVER GROUP



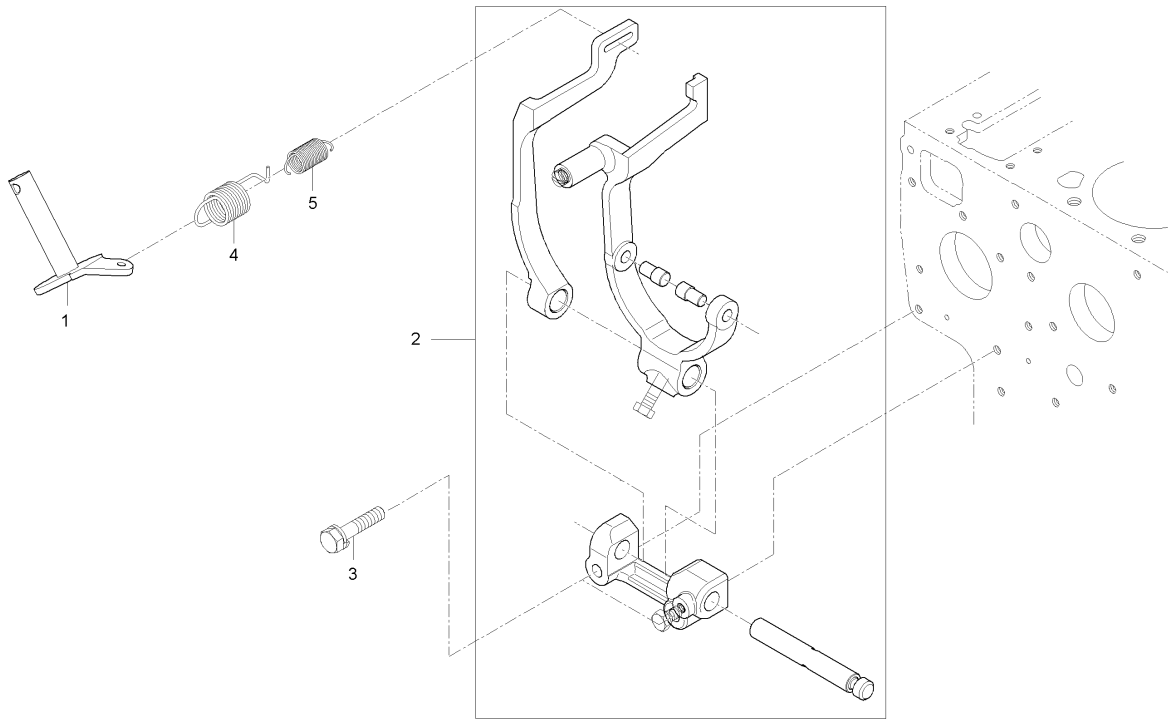
A : MEC2230SW-EU , B : MEC2230SA-EU , C : MEC2230ST-EU

No.	Part Number	Description	QTY					I.C	Remark
			A	B	C	D	E		
19	E5500-51662	GASKET	1	1	1				
20	01754-50612	BOLT, FLANGE	2	2	2			M6*1.0	
21	01754-50616	BOLT, FLANGE	2	2	2			M6*P1.0	
22	E5760-57482	BRACKET, CABLE	1	1	1				

----> Old replace New
 <- X-> Not interchangeable
 <- O-> Interchangeable with another part(s)
 <--- New replace Old
 <- - -> Interchangeable

3C100A-E170

GOVERNOR GROUP



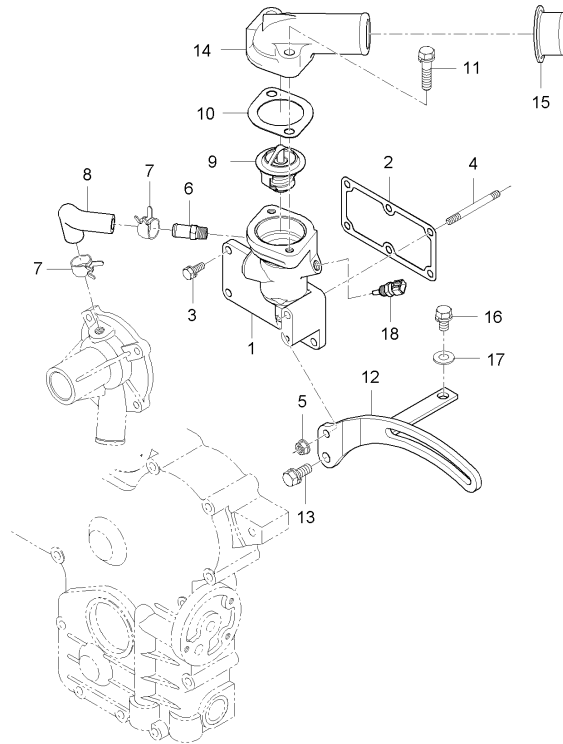
A : MEC2230SW-EU , B : MEC2230SA-EU , C : MEC2230ST-EU

No.	Part Number	Description	Q'TY					I.C	Remark
			A	B	C	D	E		
1	E5760-56021	GOVERNOR LEVER ASSY	1	1	1				
2	E5760-56052	FORK LEVER ASSY	1	1	1				
3	01023-50628	BOLT, WASHER	2	2	2			HEX10*38	
4	E5700-56413	SPRING 1, GOVERNOR	1	1	1				
4	E5700-56414	SPRING 1, GOVERNOR	1	1	1			<--->	
5	15521-5642-1	SPRING 2, GOVERNOR	1	1	1				

<---> Old replace New
 <-X-> Not interchangeable
 <-O-> Interchangeable with another part(s)
 <---> New replace Old
 <---> Interchangeable

3C100LWU-E190

WATER HOSE GROUP



A : MEC2230SW-EU , B : MEC2230SA-EU , C : MEC2230ST-EU

No.	Part Number	Description	Q'TY					I.C	Remark
			A	B	C	D	E		
1	E5760-72913	PLANGE, WATER	1	1	1				
2	E5700-72922	GASKET, FLANGE	1	1	1				
3	01023-50616	BOLT, WASHER	5	5	5			M6*P1.0	
4	01513-50655	STUD	1	1	1				
5	02761-50060	FLANGE NUT	1	1	1			M6XP1.0	
6	E5700-73342	HOSE, COOLING WATER RETURN	1	1	1				
7	E5700-73352	HOSE, WATER PUMP	1	1	1				
8	09318-88140	CLMAP, HOSE	2	2	2				
9	E5800-73011	THERMOSTAT ASSY	1	1	1				
10	E5500-73272	GASKET	1	1	1				
11	01754-50835	BOLT, FLANGE	2	2	2				
12	E5760-64423	SUPPORT 1, ALTERNATOR	1	1	1				
13	01754-50820	FLANGE BOLT	1	1	1			M6*P1.25	
13	01754-50816	BOLT, FLANGE	1	1	1		<---	M6*P1.25	
14	E5775-73062	THERMOSTAT COVER ASSY	1	1	1				
15	E5500-74213	COVER, COOLINGWATERPIPE	1	1	1				
16	01123-50814	BOLT, WASHER	1	1	1			M6*P1.25	
16	01125-50816	BOLT, WASHER	1	1	1		<---	M6*P1.25	
17	04013-50080	WASHER	1	1	1			M6	

----> Old replace New

<-X-> Not interchangeable

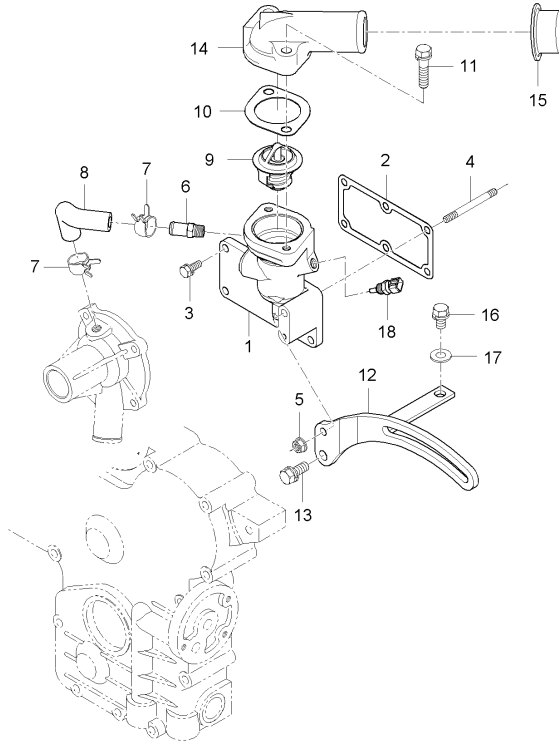
<-O-> Interchangeable with another part(s)

<--- New replace Old

<--- Interchangeable

3C100LWU-E190

WATER HOSE GROUP



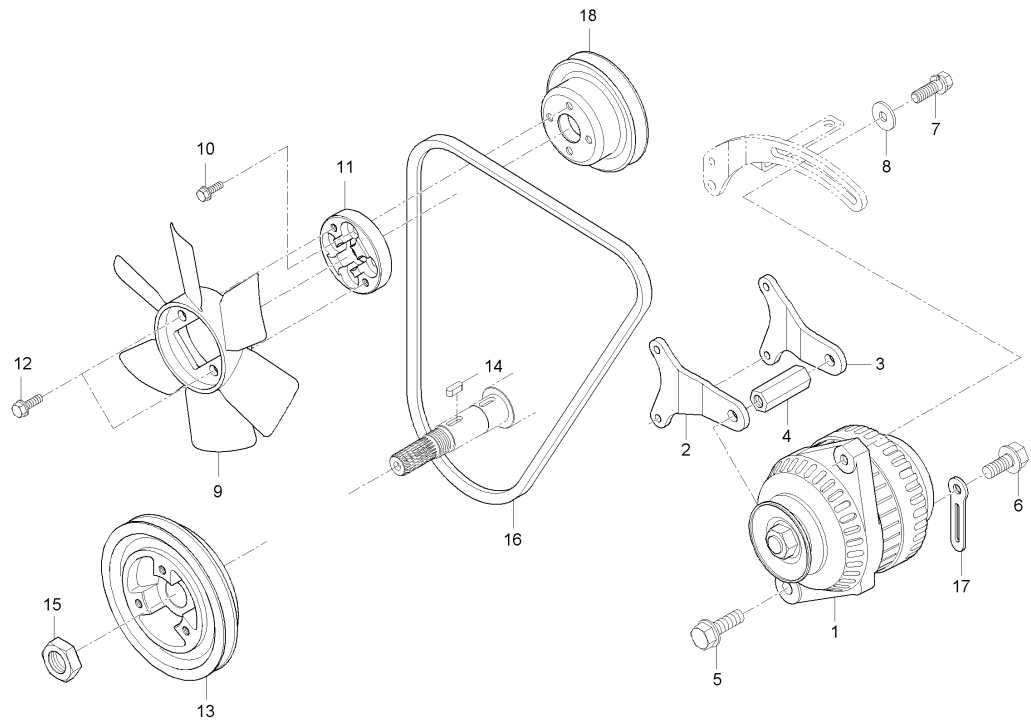
A : MEC2230SW-EU , B : MEC2230SA-EU , C : MEC2230ST-EU

No.	Part Number	Description	Q'TY					I.C	Remark
			A	B	C	D	E		
18	E7240-32731	TEMPERATURE SENSOR ASSY	1	1	1				

----- Old replace New
 <-X-> Not interchangeable
 <-O-> Interchangeable with another part(s)
 <--- New replace Old
 <---> Interchangeable

3C100LWU-E200

ALTERNATOR GROUP



A : MEC2230SW-EU , B : MEC2230SA-EU , C : MEC2230ST-EU

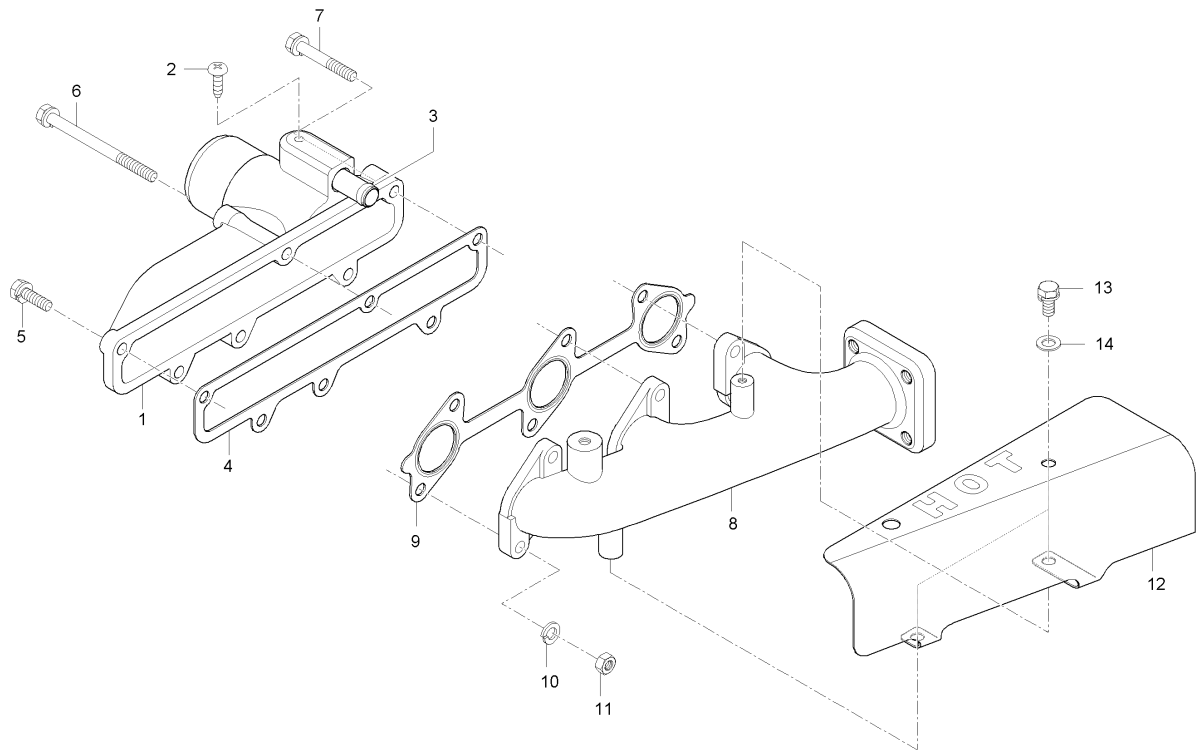
No.	Part Number	Description	Q'TY					I.C	Remark
			A	B	C	D	E		
1	E6213-64012	ALTERNATOR ASSY	1	1	1				
2	E5760-64431	SUPPORT 2, ANTERNATOR	1	1	1				
3	E5760-64441	SUPPORT 3, ALTERNATOR	1	1	1				
4	E5760-64451	BUSHING	1	1	1				
5	01774-51045	BOLT, FLANGE	1	1	1				
6	01774-51035	BOLT, FLANGE	1	1	1				
7	01127-50825	BOLT	1	1	1				
8	04015-50080	WASHER, PLAIN	1	1	1				T2.6
9	P5370-29891	FAN, HST	1	1	1				
10	01125-50816	BOLT, WASHER	2	2	2				M6*P1.25
11	E5775-74121	COLLAR,FAN	1	1	1				
12	01754-50616	BOLT, FLANGE	4	4	4				M6*P1.0
13	E5760-74282	PULLEY, FAN DRIVE	1	1	1				
14	05712-00515	KEY	1	1	1				
15	E5205-23361	NUT, CRANKSHAFT	1	1	1				
16	E5770-72531	BELT,FAN	1	1	1				
17	37155-3447-1	CLAMP,CORD	1	1	1				
18	E5752-74251ED	PULLEY, FAN	1	1	1				

----> Q d repl ace New
 <-X> Nbt i nterchangeabl e
 <-O> Interchangeabl e with another part(s)

<---- New repl ace Q d
 <----> I nterchangeabl e

3C100LWU-E220

MANIFOLD GROUP



A : MEC2230SW-EU , B : MEC2230SA-EU , C : MEC2230ST-EU

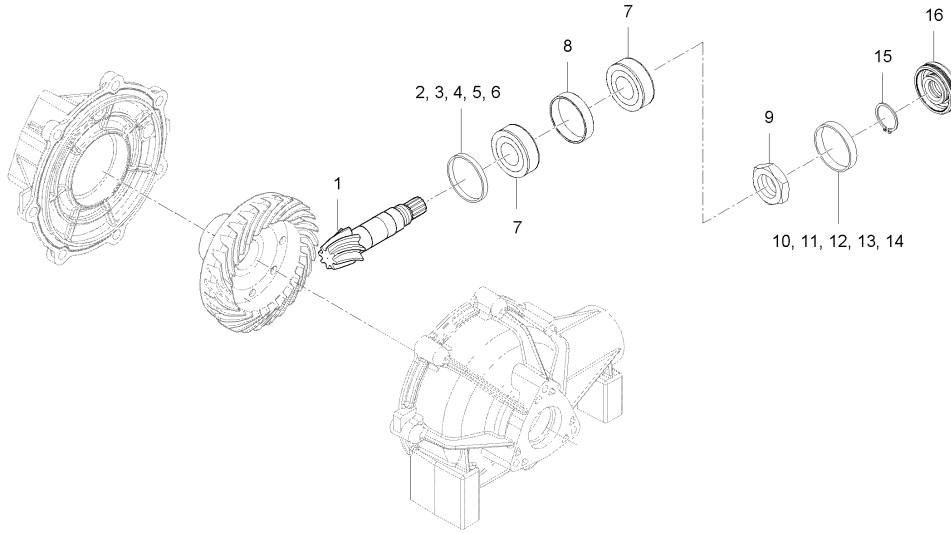
No.	Part Number	Description	Q'TY					I.C	Remark
			A	B	C	D	E		
1	E5775-11762	MANIFOLD,INLET	1	1	1				
2	03014-50608	SCREW	1	1	1				
3	E6510-05552	CONNECTOR, AIR BREATHER HOSE	1	1	1				
4	E5770-11821	GASKET, INTAKE MANIFOLD	1	1	1				
5	01023-50620	BOLT, WASHER	4	4	4				M6*1.0
6	01023-50630	BOLT, WASHER	1	1	1				
7	01023-50660	BOLT, WASHER	1	1	1				MEX10*71
8	E5775-12311	MANIFOLD,EXHAUST	1	1	1				
9	E5700-12362	GASKET, EXHAUST MANIFOLD	1	1	1				
10	02056-50060	NUT	6	6	6				M6*P1.0
11	04512-50060	WASHER, SPRING	6	6	6				M6
12	E5775-12211	PLATE,HEAT	1	1	1				
13	01023-50610	BOLT, WASHER	3	3	3				M6*1
14	04013-50060	WASHER, PLAIN	3	3	3				M6

<---> Old replace New
 <-X-> Not interchangeable
 <-O-> Interchangeable with another part(s)

<---> New replace Old
 <---> Interchangeable

U1-T230A

BEVEL PINION SHAFT GROUP



A : MEC2230SW-EU , B : MEC2230SA-EU , C : MEC2230ST-EU

No.	Part Number	Description	Q'TY					I.C	Remark
			A	B	C	D	E		
1	U3215-16211	BEVEL PINION SHAFT 8	1	1	1				
2	T2350-42451	COLLAR, AXLE ADJUSTING FR	1	1	1				
3	T2350-42461	COLLAR, AXLE ADJUSTING FR	1	1	1				
4	T2350-42471	COLLAR, AXLE ADJUSTING FR	1	1	1				
5	T2350-42481	COLLAR, AXLE ADJUSTING FR	1	1	1				
6	T2350-42491	COLLAR, AXLE ADJUSTING FR	1	1	1				
7	08711-30205	BEARING, TAPER ROLLER	2	2	2			#30205	
8	T2350-42751	SPACER, 1 FR AXLE	1	1	1				
9	T2350-25361	NUT, 24	1	1	1				
10	T2350-42761	COLLAR 2, AXLE ADJUSTING FR	1	1	1				
11	T2350-42771	COLLAR 2, AXLE ADJUSTING FR	1	1	1				
12	T2350-42781	COLLAR 2, AXLE ADJUSTING FR	1	1	1				
13	T2350-42791	COLLAR 2, AXLE ADJUSTING FR	1	1	1				
14	T2350-42801	COLLAR 2, AXLE ADJUSTING FR	1	1	1				
15	04611-00520	SNAP RING	1	1	1				
16	38440-4424-0	SEAL, OIL	1	1	1				

----> Old replace New

<-X-> Not interchangeable

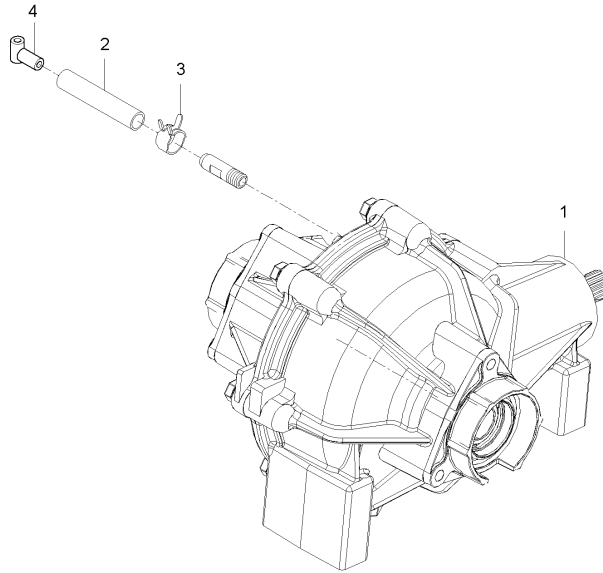
<-O-> Interchangeable with another part(s)

<---- New replace Old

<----> Interchangeable

U1-U0550A

Front Axle Group



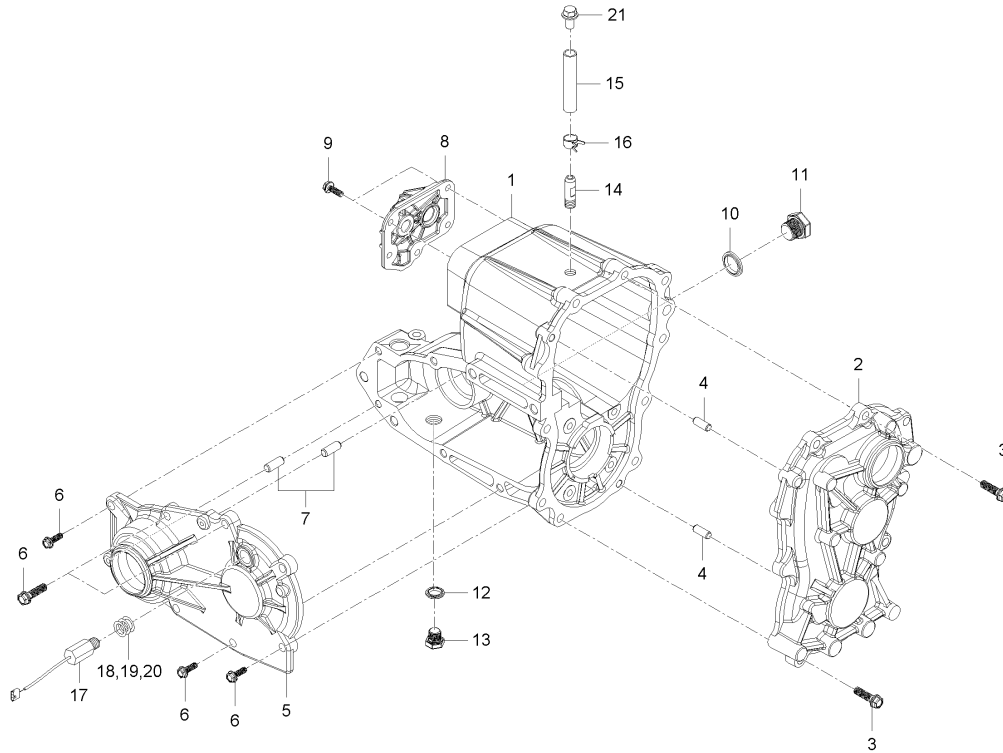
A : MEC2230SW-EU , B : MEC2230SA-EU , C : MEC2230ST-EU

No.	Part Number	Description	Q'TY					I.C	Remark
			A	B	C	D	E		
1	U3215-A5001	FRONT AXLE CASE ASSY	1	1	1				
2	U3215-16613	HOSE, OVER FLOW	1	1	1				
3	14911-4275-1	CLIP, TUBE	1	1	1				
4	U3215-16621	CONNECTOR, AIR BREATHER	1	1	1				

----> Old replace New
 <-X-> Not interchangeable
 <-O-> Interchangeable with another part(s)
 <--- New replace Old
 <---> Interchangeable

U1-T100A

TRANSMISSION CASE GROUP



A : MEC2230SW-EU , B : MEC2230SA-EU , C : MEC2230ST-EU

No.	Part Number	Description	Q'TY					I.C	Remark
			A	B	C	D	E		
1	U3215-11142	TRANS MISSION CASE	1	1	1				
2	U3215-11303	COVER, TRANSMISSION CASE	1	1	1				
3	01125-50830	BOLT, WASHER	8	8	8				M8*P1.25
4	05012-00818	PIN, PARALLEL	2	2	2				
5	U3215-11702	COVER, FRONT AXLE DRIVE	1	1	1				
6	01125-50830	BOLT, WASHER	8	8	8				M8*P1.25
7	05012-00818	PIN, PARALLEL	2	2	2				
8	U3215-11801	COVER, SHIFT	1	1	1				
9	01025-50620	BOLT, WASHER	5	5	5				M6*P1.0
10	04717-02000	WASHER, SEAL	1	1	1				
11	06331-35020	PLUG	1	1	1				
12	04717-01600	WASHER, SEAL	1	1	1				
13	06331-35016	PLUG	1	1	1				HEX22*25, M6*P1.5
14	U3215-16601	CONNECTOR, AIR BREATHER	1	1	1				
15	U3215-16613	HOSE, OVER FLOW	1	1	1				
16	14911-4275-1	CLIP, TUBE	1	1	1				
17	U3215-04931	PICK UP SENSOR	1	1	1				
18	T4682-43561	COLLAR 1.8T, ADJUSTING	1	1	1				
19	T4682-43571	COLLAR 1.0T, ADJUSTING	1	1	1				

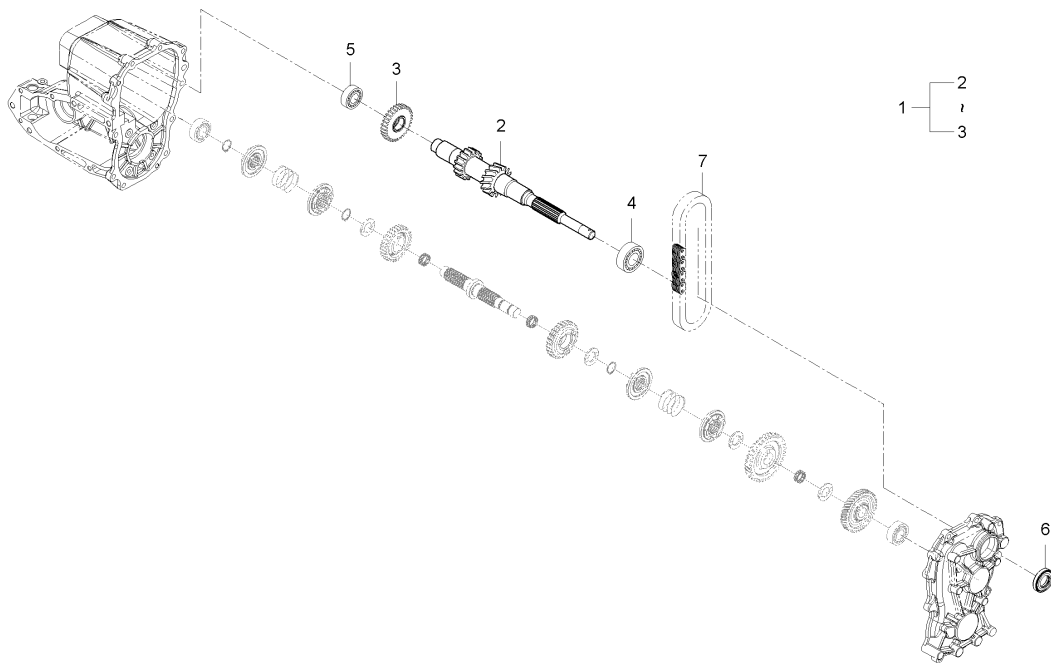
----> Old replace New

<-X-> Not interchangeable

<-O-> Interchangeable with another part(s)

<---- New replace Old

<----> Interchangeable



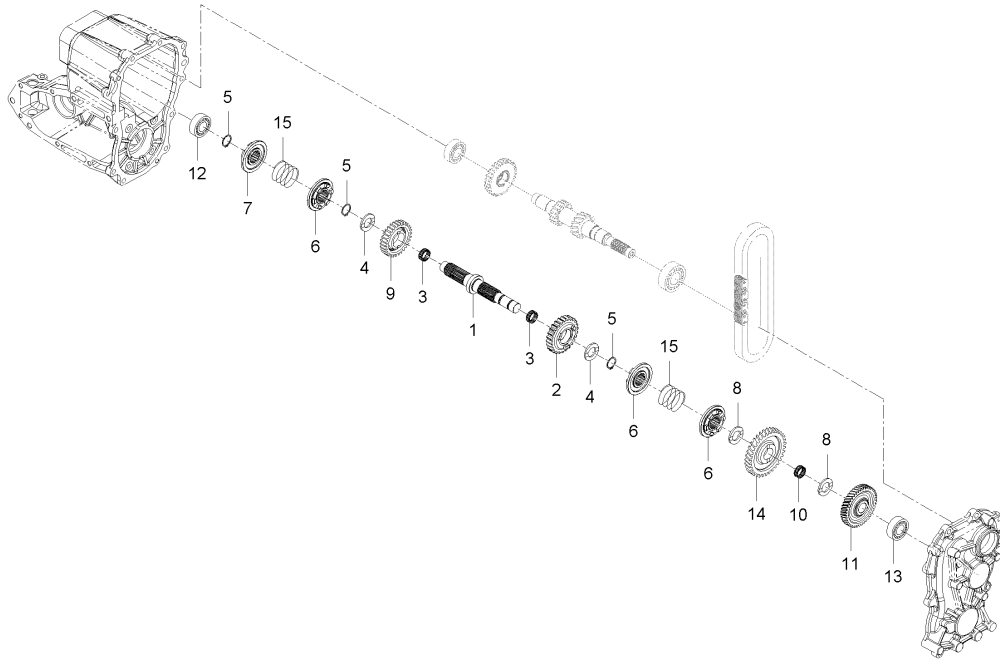
A : MEC2230SW-EU , B : MEC2230SA-EU , C : MEC2230ST-EU

No.	Part Number	Description	Q'TY					I.C	Remark
			A	B	C	D	E		
1	U3215-12104	SHAFT	1	1	1				
2	U3215-12114	SHAFT	1	1	1				
3	U3215-12121	GEAR 31	1	1	1				
4	08101-06205	BALL BEARING	1	1	1			DI A25	
5	08101-06204	BALL BEARING	1	1	1			#6204	
6	U3215-12131	OIL SEAL(25*47*10.5)	1	1	1				
7	U3215-12151	SILENT CHAIN, 36	1	1	1				

----> Old replace New
 <-X-> Not interchangeable
 <-O-> Interchangeable with another part(s)
 <--- New replace Old
 <--- Interchangeable

U1-T120A

SHIFT SHAFT GROUP



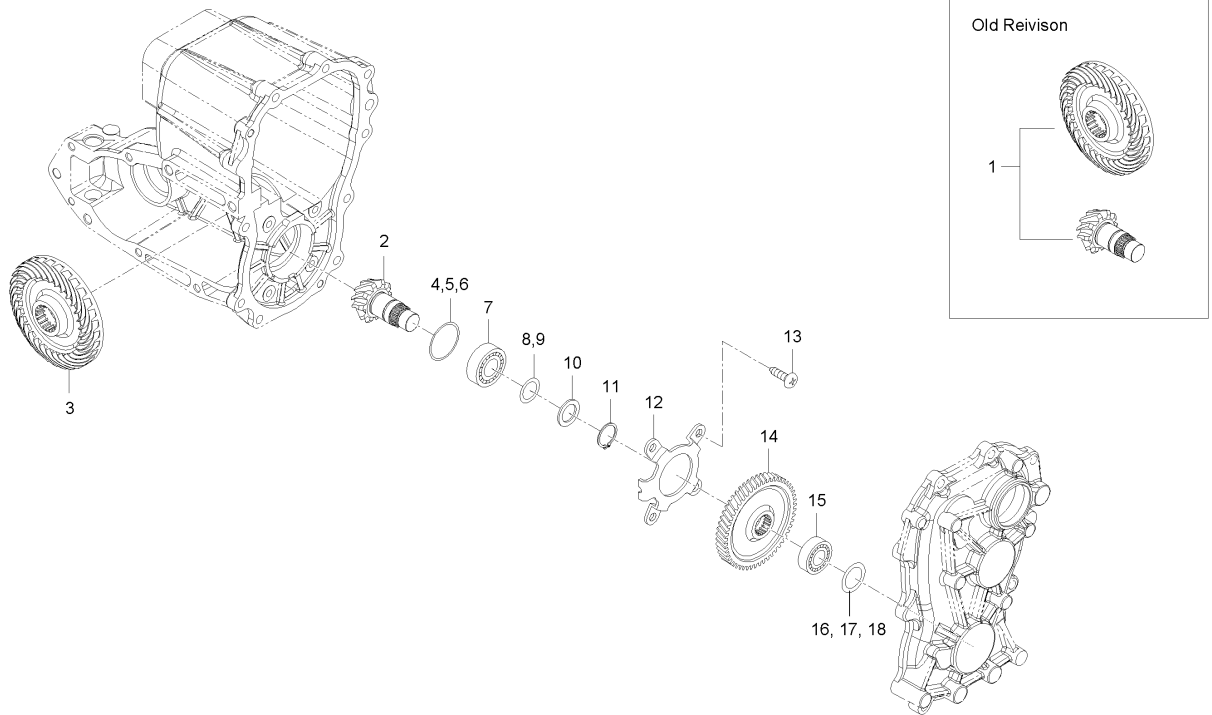
A : MEC2230SW-EU , B : MEC2230SA-EU , C : MEC2230ST-EU

No.	Part Number	Description	Q'TY					I.C	Remark
			A	B	C	D	E		
1	U3215-12211	SHAFT	1	1	1				
2	U3215-12221	SPROCKET, 26T	1	1	1				
3	08822-52913	BEARING, NIDDLE	2	2	2				
4	U3215-12231	COLLAR, THRUST	2	2	2				
5	04612-00240	SNAP RING	3	3	3				
6	U3215-12244	CLUTCH DOG	3	3	3				
7	U3215-12263	CLUTCH DOG	1	1	1				
8	T2305-25241	COLLAR, THRUST	2	2	2				
9	U3215-12251	GEAR 30	1	1	1				
10	08822-02413	BEARING, NIDDLE	1	1	1			내경 A20	
11	U3215-12271	GEAR 46	1	1	1				
12	08101-06204	BALL BEARING	1	1	1			#6204	
13	C7130-23471	BALL BEARING	1	1	1				
14	U3215-12291	GEAR, 34	1	1	1				
15	U3215-12313	SPRING CLUTCH	2	2	2				

<- - -> Old replace New
 <- X -> Not interchangeable
 <- O -> Interchangeable with another part(s)
 <- - -> New replace Old
 <- - -> Interchangeable

U1-T130A

SPRIAL BEVEL GEAR GROUP



A : MEC2230SW-EU , B : MEC2230SA-EU , C : MEC2230ST-EU

No.	Part Number	Description	Q'TY					I.C	Remark
			A	B	C	D	E		
1	U3215-12402	SPIRAL BEVEL GEAR ASSY	1	1	1				
2	U3215-12411	SHAFT, 10 BEVEL PINION	1	1	1				
3	U3215-12422	BEVEL GEAR, 31	1	1	1				
4	K5400-14571	SHIM	99	99	99				
4	K5400-14572	SHIM	99	99	99			<---	
5	K5400-14581	SHIM	99	99	99				
6	K5400-14591	SHIM	99	99	99				
7	T2610-22661	BALL BEARING	1	1	1				
8	T2185-21661	SHIM, 0.1	99	99	99				
9	T2185-21671	SHIM, 0.2	99	99	99				
10	34150-2156-1	COLLAR	1	1	1				
11	38430-2155-1	SNAP RING	1	1	1				
12	U3215-12452	WINNOW BEARING HOLDER	1	1	1				
13	U3215-12461	BOLT	4	4	4				
14	U3215-12471	GEAR 52	1	1	1				
15	08101-06204	BALL BEARING	1	1	1				#6204
15	U3210-06204	BALL BEARING	1	1	1			<---	
16	K5400-14571	SHIM	99	99	99				
17	K5400-14581	SHIM	99	99	99				

----> Old replace New

<-X-> Not interchangeable

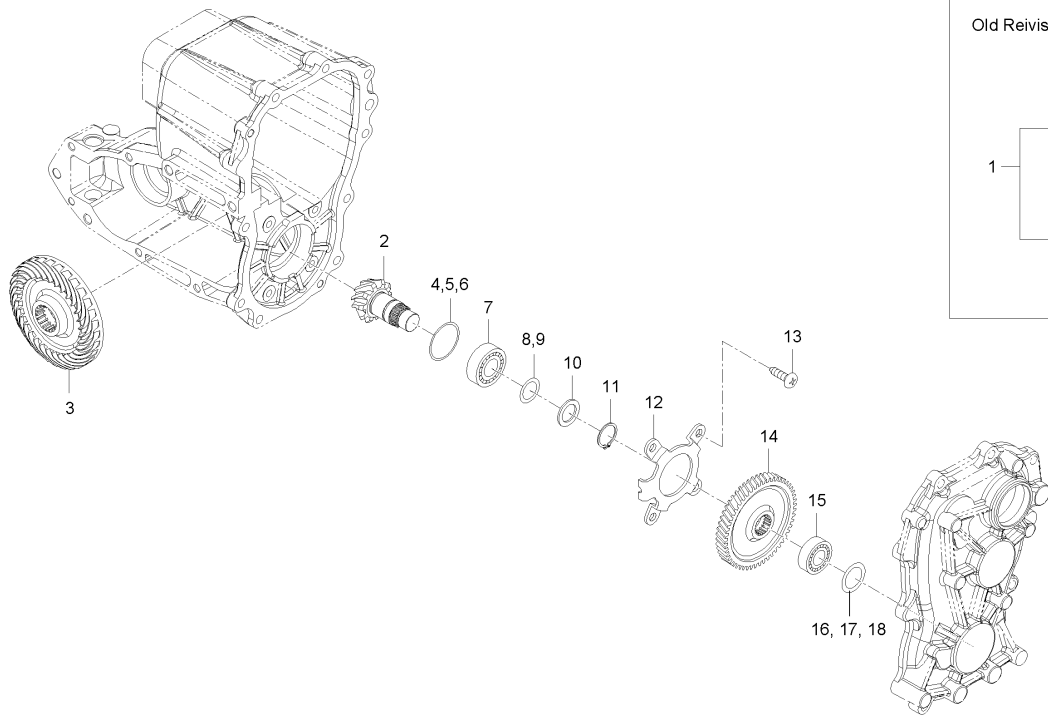
<-O-> Interchangeable with another part(s)

<---- New replace Old

<---> Interchangeable

U1-T130A

SPRIAL BEVEL GEAR GROUP



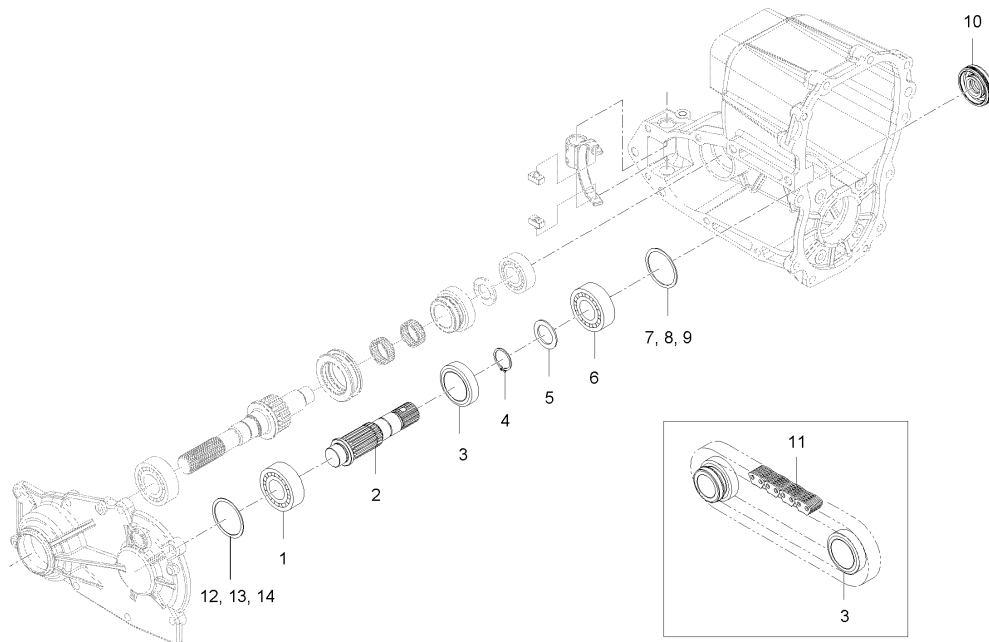
A : MEC2230SW-EU , B : MEC2230SA-EU , C : MEC2230ST-EU

No.	Part Number	Description	Q'TY					I.C	Remark
			A	B	C	D	E		
18	K5400-14591	SHIM	99	99	99				

----- Old replace New
 <-X-> Not interchangeable
 <-O-> Interchangeable with another part(s)
 ----- New replace Old
 <-> Interchangeable

U1-T140A

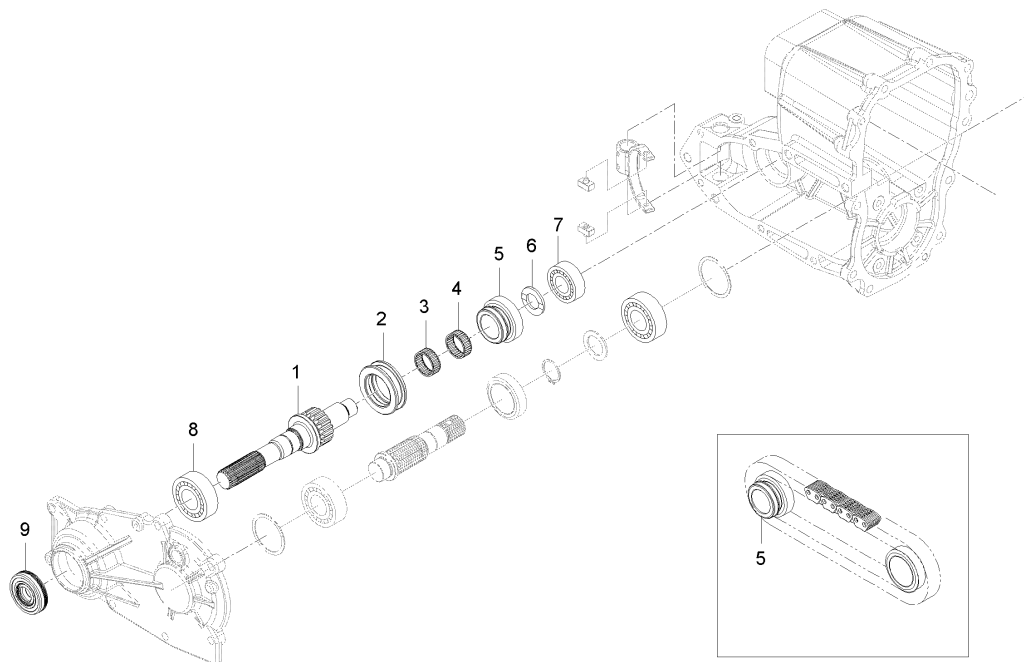
REAR WHEEL DRIVING SHAFT GROUP



A : MEC2230SW-EU , B : MEC2230SA-EU , C : MEC2230ST-EU

No.	Part Number	Description	Q'TY					I.C	Remark
			A	B	C	D	E		
1	08101-06205	BALL BEARING	1	1	1				DI A25
2	U3215-12511	SHAFT, REAR DRIVE	1	1	1				
3	U3215-12521	SPROCKET, 22T	1	1	1				
4	04612-00300	SNAP RING	1	1	1				
5	34150-2156-1	COLLAR	1	1	1				
6	08101-06205	BALL BEARING	1	1	1				DI A25
7	T8101-75520	SHIM, 0.1	99	99	99				
8	T8101-75530	SHIM, 0.2	99	99	99				
9	T8101-75540	SHIM, 0.5	99	99	99				
10	U3215-12531	OIL SEAL(25*47*10)	1	1	1				
11	U3215-12551	SILENT CHAIN, 50	1	1	1				
12	T8101-75520	SHIM, 0.1	99	99	99				
13	T8101-75530	SHIM, 0.2	99	99	99				
14	T8101-75540	SHIM, 0.5	99	99	99				

----> Old replace New
 <-X-> Not interchangeable
 <-O-> Interchangeable with another part(s)
 <--- New replace Old
 <--- Interchangeable



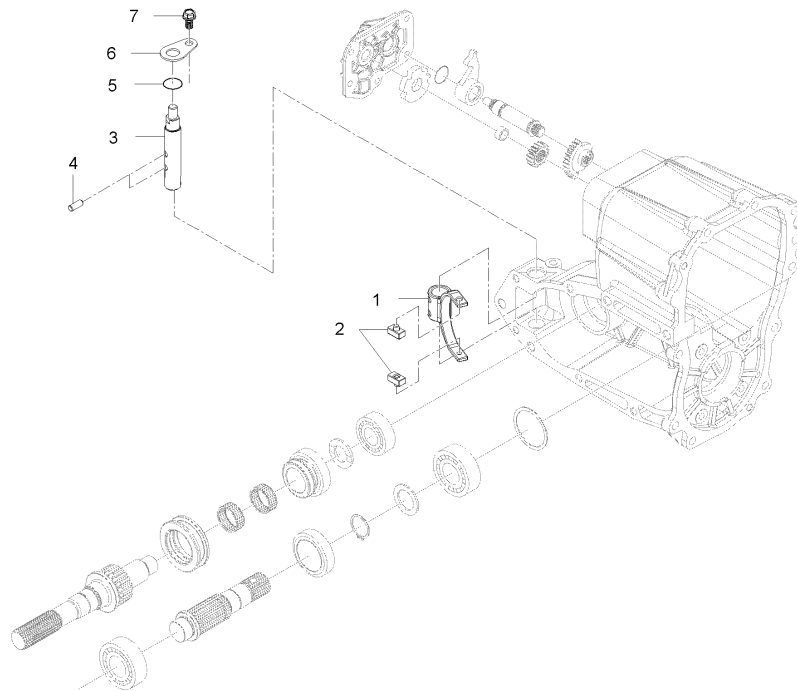
A : MEC2230SW-EU , B : MEC2230SA-EU , C : MEC2230ST-EU

No.	Part Number	Description	Q'TY					I.C	Remark
			A	B	C	D	E		
1	U3215-12612	SHAFT, FRONT DRIVE	1	1	1				
2	U3215-12621	SHIFT, FRONT DRIVE	1	1	1				
3	08822-53013	NEEDLE BEARING	1	1	1				
4	08822-53017	NEEDLE BEARING	1	1	1			NTN K253017	
5	U3215-12651	SPROCKET, 19T	1	1	1				
6	31365-2278-1	COLLAR	1	1	1				
7	08101-06304	BALL BEARING	1	1	1			#6304	
8	08101-06205	BALL BEARING	1	1	1			DI A25	
9	U3215-12531	OIL SEAL(25*47*10)	1	1	1				

<- - - -> Old replace New
 <-X-> Not interchangeable
 <-O-> Interchangeable with another part(s)
 <- - - -> New replace Old
 <- - - -> Interchangeable

U1-T160A

FRONT DRIVE FORK GROUP



A : MEC2230SW-EU , B : MEC2230SA-EU , C : MEC2230ST-EU

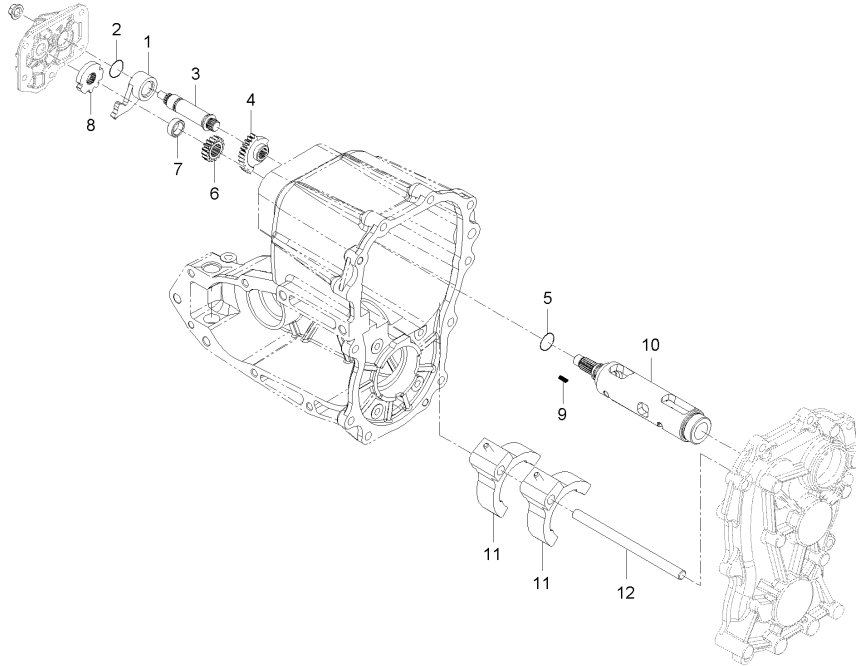
No.	Part Number	Description	Q'TY					I.C	Remark
			A	B	C	D	E		
1	U3215-12631	FORK, FRONT DRIVING LOCK	1	1	1				
2	U3215-12641	GUIDE, SHIFT	2	2	2				
3	U3215-12682	ARM, SHIFT(FRONT)	1	1	1				
4	05411-00625	PIN, SPRING	2	2	2				DI A6*25
5	04811-00180	O RING	1	1	1				P18
6	T2305-44281	PLATE, FIXED	1	1	1				
7	01123-50816	BOLT, WASHER	1	1	1				M8*P1.25

----> Old replace New
 <-X-> Not interchangeable
 <-O-> Interchangeable with another part(s)

<--- New replace Old
 <---> Interchangeable

U1-T170A

SHIFT FORK GROUP



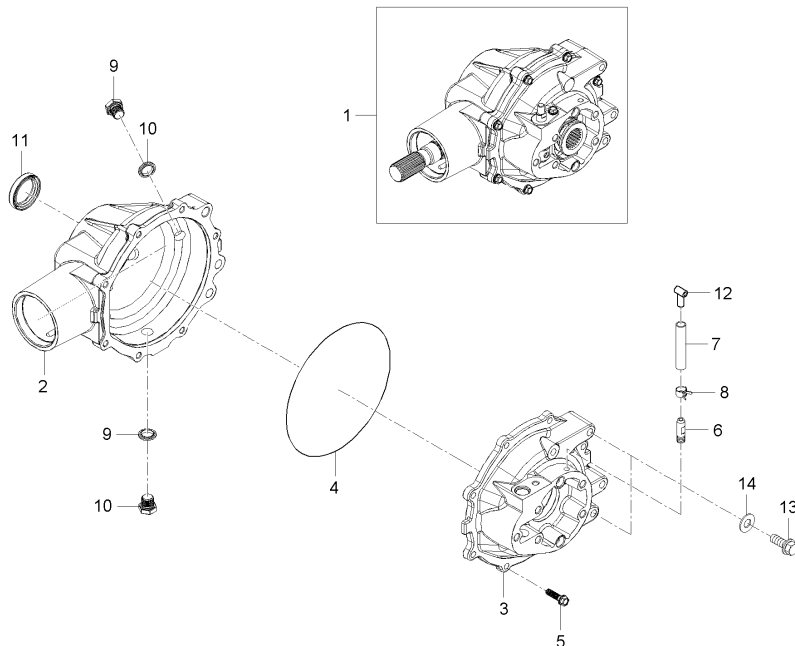
A : MEC2230SW-EU , B : MEC2230SA-EU , C : MEC2230ST-EU

No.	Part Number	Description	Q'TY					I.C	Remark
			A	B	C	D	E		
1	U3215-17211	ARM, LOCK	1	1	1				
2	04811-00120	O RING	1	1	1				
3	U3215-17231	SHAFT	1	1	1				
3	U3215-17232	SHAFT	1	1	1			<---	
4	U3215-17251	GEAR 33	1	1	1				
5	04811-00150	O RING	1	1	1				
6	U3215-17421	GEAR 16	1	1	1				
7	U3215-17431	SPACER	1	1	1				
8	U3215-17442	DISC, SHIFT	1	1	1				
9	U3215-17451	FRICTION SPRING	1	1	1				
10	U3215-18212	LEVER, GUIDE S, CHANGE	1	1	1				
11	U3215-18314	FORK	2	2	2				
12	U3215-18351	ROD, FORK	1	1	1				

<---> Old replace New
 <-X-> Not interchangeable
 <-O-> Interchangeable with another part(s)
 <---> New replace Old
 <---> Interchangeable

U1-T180A

REAR AXLE CASE GROUP



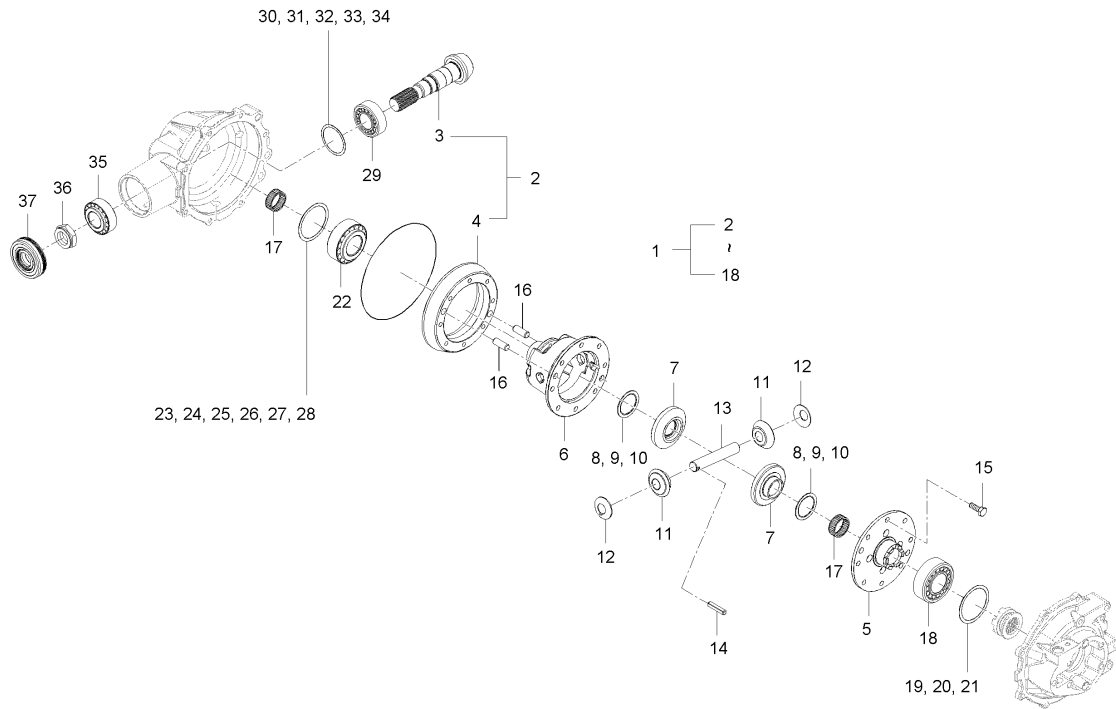
A : MEC2230SW-EU , B : MEC2230SA-EU , C : MEC2230ST-EU

No.	Part Number	Description	Q'TY					I.C	Remark
			A	B	C	D	E		
1	U3215-A3002	REAR AXLE CASE ASS'Y	1	1	1				
2	U3215-13144	CASE, REAR AXLE	1	1	1				
2	U3215-13145	CASE, REAR AXLE	1	1	1			<---	
3	U3215-13303	COVER, REAR AXLE CASE	1	1	1				
4	U3215-13511	O RING	1	1	1				
5	01125-50830	BOLT, WASHER	7	7	7				M8*P1.25
6	U3215-16601	CONNECTOR, AIR BREATHER	1	1	1				
7	U3215-16613	HOSE, OVER FLOW	1	1	1				
8	14911-4275-1	CLIP, TUBE	1	1	1				
9	04717-01600	WASHER, SEAL	2	2	2				
10	06331-35016	PLUG	2	2	2				HEX22*25, M6*P1.5
11	U3215-13221	OIL SEAL(38*54*9.5)	1	1	1				
12	U3215-16621	CONNECTOR, AIR BREATHER	1	1	1				
13	01133-51040	BOLT, WASHER	2	2	2				M0XP1.25X40
14	04013-50100	WASHER, PLAIN	2	2	2				M0

----> Old replace New
 <-X-> Not interchangeable
 <-O-> Interchangeable with another part(s)
 <--- New replace Old
 <--- Interchangeable

U1-T190A

REAR DIFF SYSTEM GROUP



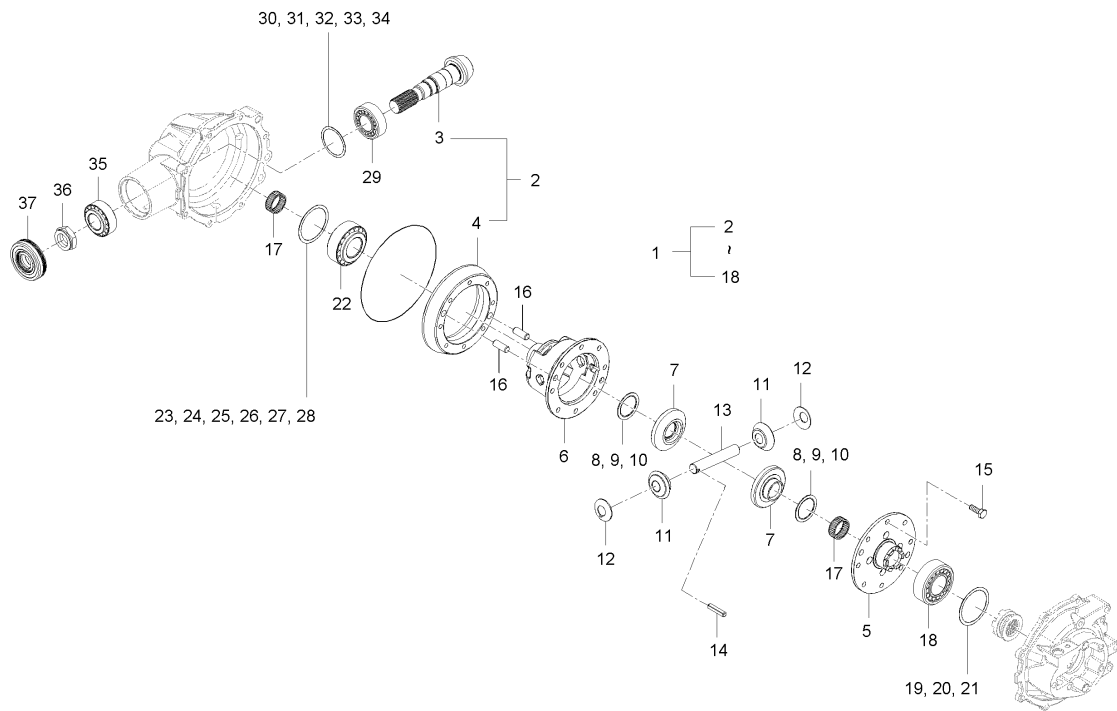
A : MEC2230SW-EU , B : MEC2230SA-EU , C : MEC2230ST-EU

No.	Part Number	Description	Q'TY					I.C	Remark
			A	B	C	D	E		
1	U3215-14103	ASSY DIFFERENTIAL	1	1	1				
1	U3215-14104	ASSY DIFFERENTIAL	1	1	1			<---	
2	U3215-14111	SPIRAL BEVEL GEAR ASSY	1	1	1				
3	U3215-14211	PINION, SPIRAL BEVEL	1	1	1				
4	U3215-14311	GEAR 37, BEVEL	1	1	1				
5	U3215-14122	COVER, DIFFERENTIAL CASE	1	1	1				
6	U3215-14132	CASE, DIFFERENTIAL	1	1	1				
7	U3215-14171	GEAR, DIFF. SIDE	2	2	2				
8	38240-2647-2	WASHER, DIFF.3	99	99	99				
9	37300-2648-1	WASHER 1, DIFF	99	99	99				
10	37300-2649-1	WASHER 2, DIFF	99	99	99				
11	T2240-26354	PINION, DIFFERENTIAL	2	2	2				
11	T2240-26355	PINION, DIFFERENTIAL	2	2	2			<---	
12	31220-2639-2	WASHER, DIFF PINION	2	2	2				
13	U3215-14201	SHAFT, PINION	1	1	1				
14	05411-00430	PIN, SPRING	1	1	1				ØA4*30
15	37800-4387-1	BOLT	6	6	6				
16	37300-2817-2	PIN, PARALLEL	2	2	2				
17	08812-83520	BEARING, NIDDLE	2	2	2				

-----> Old replace New
 <-X-> Not interchangeable
 <-O-> Interchangeable with another part(s)
 <--- New replace Old
 <---> Interchangeable

U1-T190A

REAR DIFF SYSTEM GROUP



A : MEC2230SW-EU , B : MEC2230SA-EU , C : MEC2230ST-EU

No.	Part Number	Description	Q'TY					I.C	Remark
			A	B	C	D	E		
18	T5210-32010	BEARING, TAPE ROLLER	1	1	1				
19	T2305-26061	SHIM, 0.1	99	99	99				
20	T2305-26071	SHIM, 0.2	99	99	99				
21	T2305-26081	SHIM, 0.4	99	99	99				
22	T5210-32009	BEARING, TAPE ROLLER	1	1	1				
23	U3215-14601	SHIM, 0.1	99	99	99				
24	U3215-14611	SHIM 0.2	99	99	99				
25	U3215-14621	SHIM, 0.4	99	99	99				
26	U3215-14631	SHIM	99	99	99				
27	U3215-14641	SHIM	99	99	99				
28	U3215-14651	SHIM, 1.2	99	99	99				
29	38630-4329-2	BEARING, TAPER ROLLER	1	1	1				
30	T2185-43861	SHIM, 0.6	99	99	99				
31	T2185-43871	SHIM, 0.8	99	99	99				
32	T2185-43881	SHIM, 1.0	99	99	99				
33	T2185-43891	SHIM, 1.2	99	99	99				
34	T2185-43901	SHIM, 1.4	99	99	99				
35	38630-4329-2	BEARING, TAPER ROLLER	1	1	1				
36	T4810-21621	NUT, 32	1	1	1				

----> Old replace New

<-X-> Not interchangeable

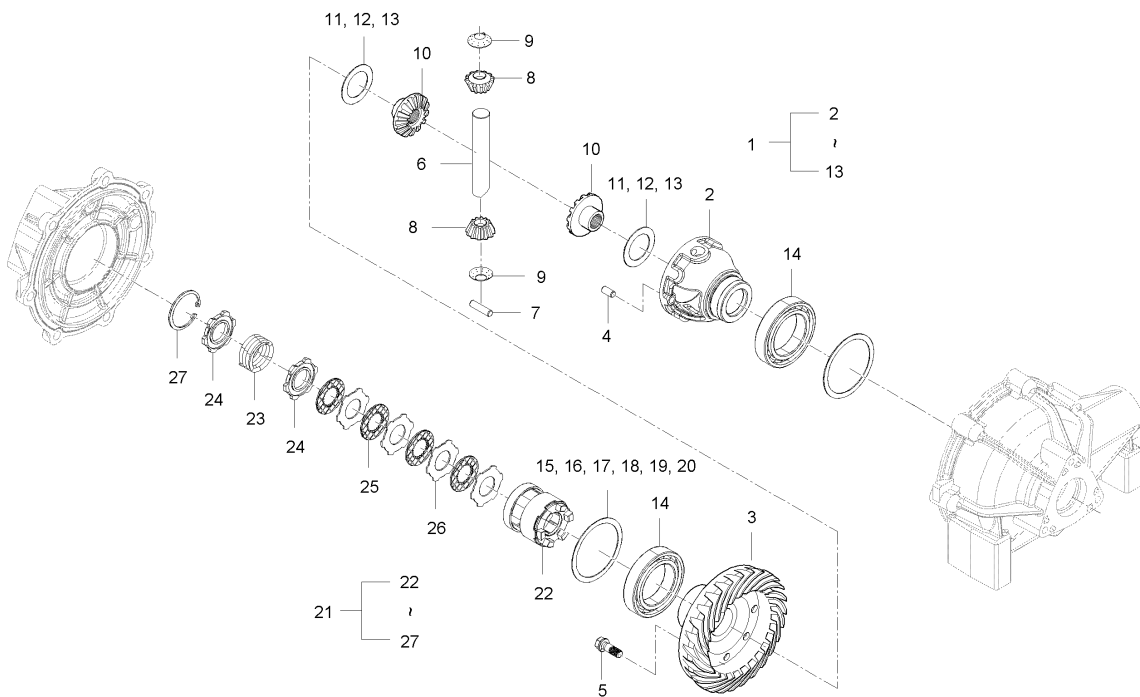
<-O-> Interchangeable with another part(s)

<---- New replace Old

<---> Interchangeable

U1-T220A

FRONT DIFF SYSTEM GROUP



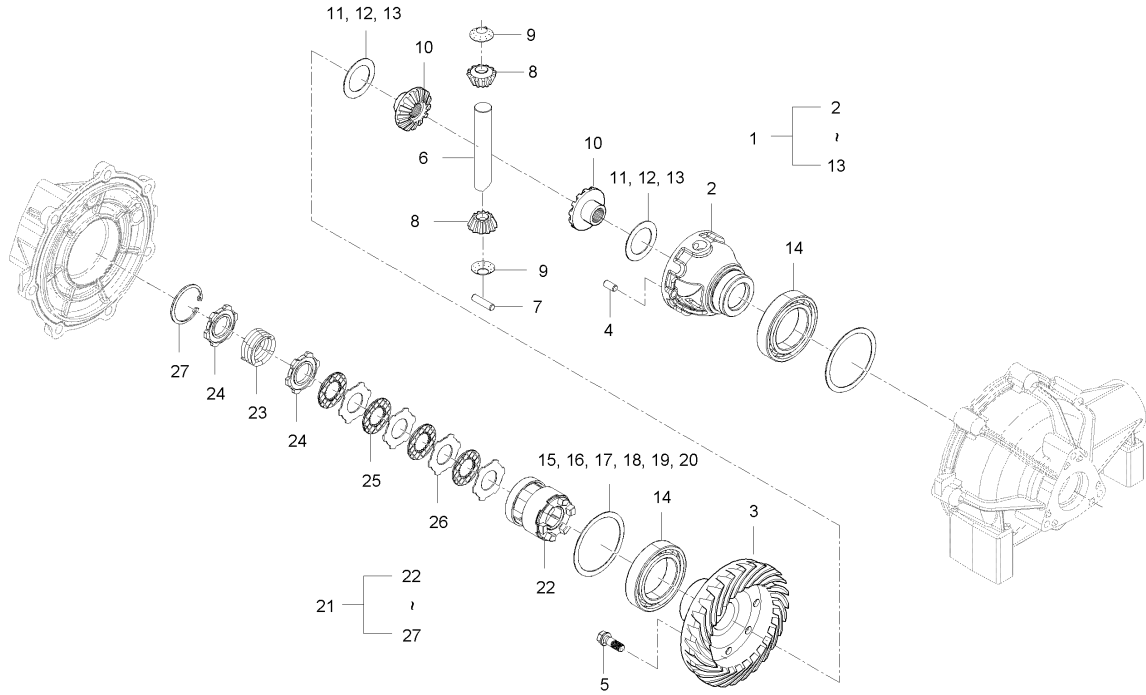
A : MEC2230SW-EU , B : MEC2230SA-EU , C : MEC2230ST-EU

No.	Part Number	Description	QTY					I.C	Remark
			A	B	C	D	E		
1	U3215-16302	DIFF. GEAR CASE ASSY, FR	1	1	1				
2	T4620-43122	CASE, DIFFERENTIAL FR	1	1	1				
3	U3215-16311	GEAR, 34BEVEL	1	1	1				
4	T4520-43181	PIN, PARALLEL	1	1	1				
5	U3215-16161	BOLT, UBS	6	6	6				
6	T4520-43111	SHAFT, DIFFERENTIAL PINION	1	1	1				
7	T4520-43171	PIN, PARALLEL	1	1	1				
8	T4682-43132	PINION, DIFFERENTIAL	2	2	2				
9	T4520-43151	WASHER, DIFF PINION	2	2	2				
10	U3215-16141	GEAR, DIFF. SIDE	2	2	2				
11	T4520-43071	SHIM, 0.8	2	2	2				
12	T4520-43081	SHIM, 1.0	2	2	2				
13	T4520-43091	SHIM, 1.2	2	2	2				
14	T4520-42421	BALL BEARING	2	2	2				
15	T4520-43011	SHIM, 0.1	2	2	2				
16	T4520-43021	SHIM, 0.2	2	2	2				
17	T4520-43031	SHIM, 0.4	2	2	2				
18	T4520-43041	SHIM, 0.8	2	2	2				
19	T4520-43051	SHIM, 1.0	2	2	2				

----> Old replace New
 <-X-> Not interchangeable
 <-O> Interchangeable with another part(s)
 <--- New replace Old
 <--- Interchangeable

U1-T220A

FRONT DIFF SYSTEM GROUP



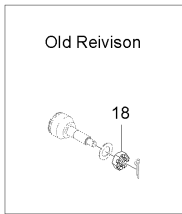
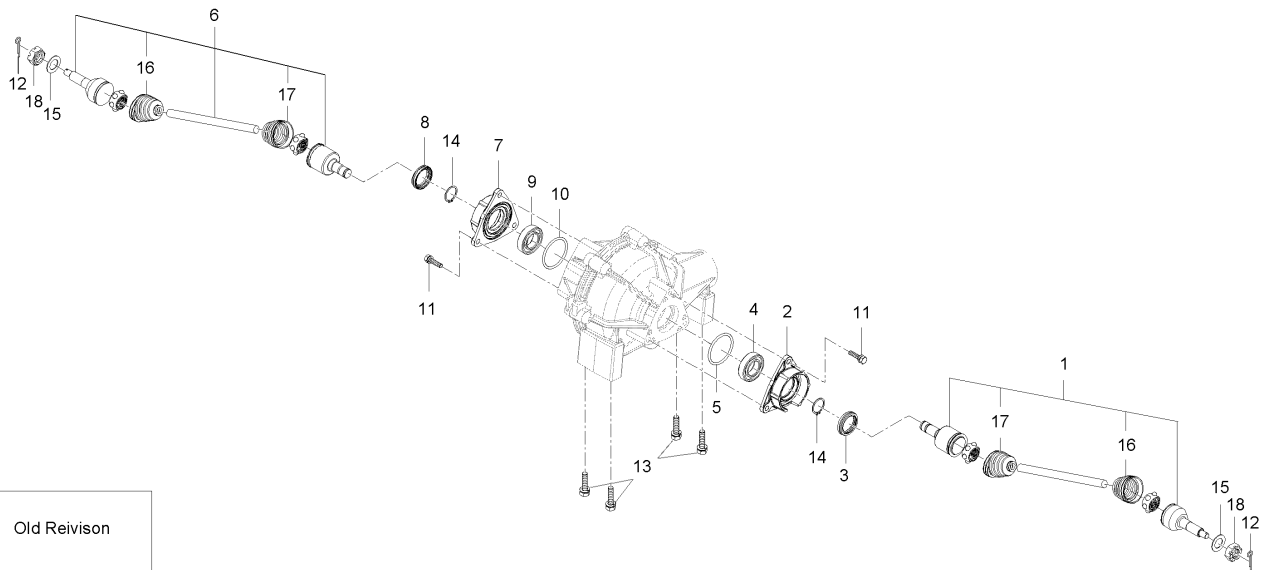
A : MEC2230SW-EU , B : MEC2230SA-EU , C : MEC2230ST-EU

No.	Part Number	Description	Q'TY					I.C	Remark
			A	B	C	D	E		
20	T4520-43061	SHIM, 1.2	2	2	2				
21	U3215-16501	CLUTCH, LSD ASSY	1	1	1				
22	U3215-16511	BODY, CLUTCH	1	1	1				
23	U3215-16521	SPRING CLUTCH	1	1	1				
24	U3215-16531	SHEET, SPRING(T3.5)	2	2	2				
25	U3215-16541	DISK, CLUTCH	4	4	4				
26	U3215-16551	PLATE, CLUTCH 1.5T	4	4	4				
27	04611-00450	SNAP RING	1	1	1				

-----> Old replace New
 <-X-> Not interchangeable
 <-O-> Interchangeable with another part(s)
 <--- New replace Old
 <---> Interchangeable

U1-U0230A

Front Axle Drive Group



A : MEC2230SW-EU , B : MEC2230SA-EU , C : MEC2230ST-EU

No.	Part Number	Description	Q'TY					I.C	Remark
			A	B	C	D	E		
1	U3215-19001	Front Drive Shaft_LH	1	1	1				
1	U3215-19002	Front Drive Shaft_LH	1	1	1			<---	
2	U3210-19041	HOLDER,BEARING	2	2	2				
3	U3215-16411	OIL SEAL(30*40*8)	2	2	2				
4	08101-06005	BALL BEARING	2	2	2			#6005	
5	04811-50600	O RING	2	2	2				
6	U3215-19061	Front Drive Shaft_RH	1	1	1				
6	U3215-19062	Front Drive Shaft_RH	1	1	1			<---	
7	U3210-19041	HOLDER,BEARING	1	1	1				
8	U3215-16411	OIL SEAL(30*40*8)	1	1	1				
9	08101-06005	BALL BEARING	1	1	1			#6005	
10	04811-50600	O RING	1	1	1				
11	01125-50820	BOLT, WASHER	6	6	6			M8*P1.25	
12	05511-50435	PIN, SPLIT	2	2	2			DI A4	
13	01135-51025	BOLT	4	4	4			M8*1.25	
14	04612-00250	SNAP RING	2	2	2				
15	04013-50180	WASHER, PLAIN	2	2	2			M8	
16	U3210-19071	BOOT FRT OUTER W/O GREASE	2	2	2				
17	U3210-19081	BOOT REPAIR KIT-FRT I/B (W/ GREASE)	2	2	2				

----> Old replace New

<-X-> Not interchangeable

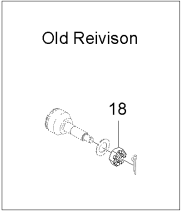
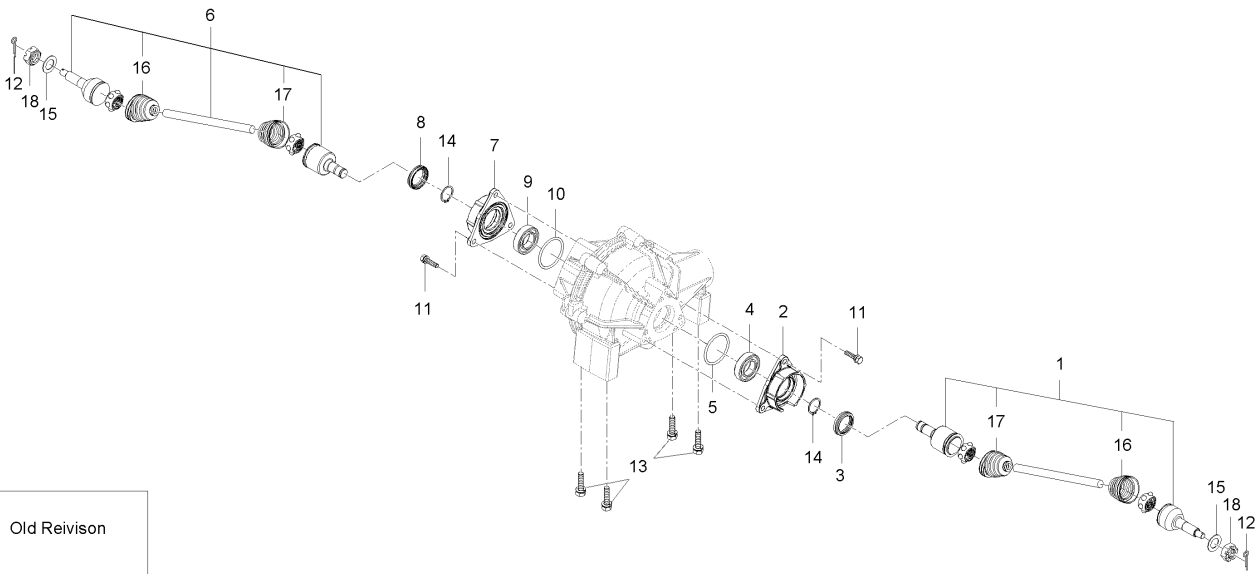
<-O-> Interchangeable with another part(s)

<---- New replace Old

<---- Interchangeable

U1-U0230A

Front Axle Drive Group



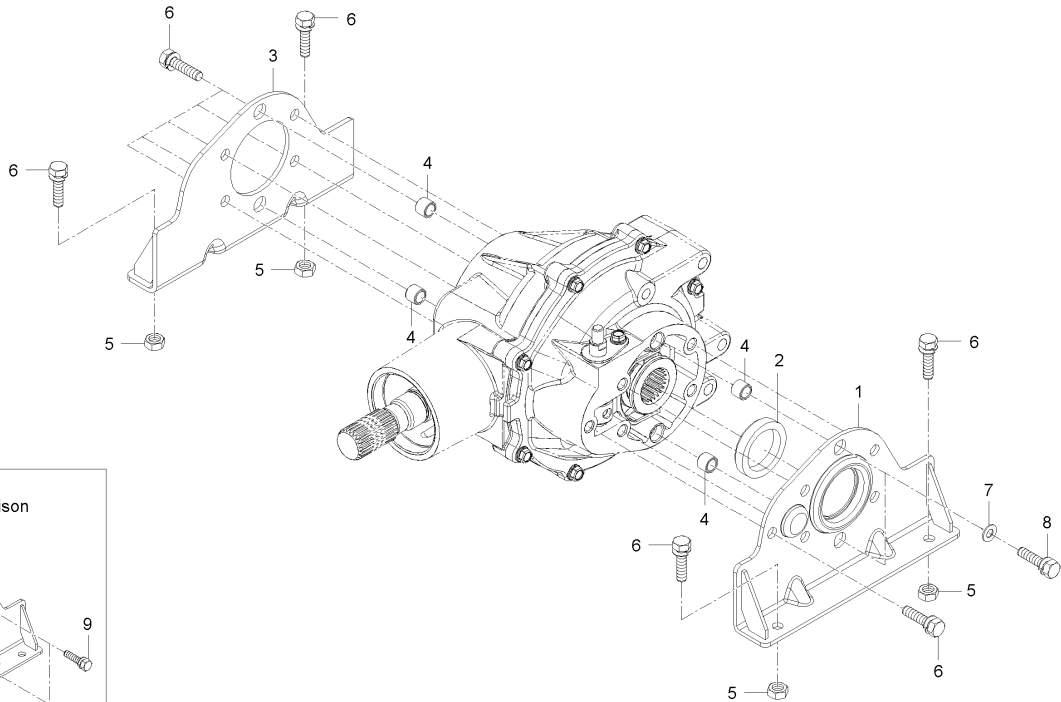
A : MEC2230SW-EU , B : MEC2230SA-EU , C : MEC2230ST-EU

No.	Part Number	Description	Q'TY					I.C	Remark
			A	B	C	D	E		
18	U3210-19021	NUT, CASTLE	2	2	2				
18	U3215-19001015	NUT, CASTLE	1	1	1			<-X->	

----- Old replace New
 <-X-> Not interchangeable
 <-O-> Interchangeable with another part(s)
 <---- New replace Old
 <-> Interchangeable

U1-U0235A

Rear Differential Group



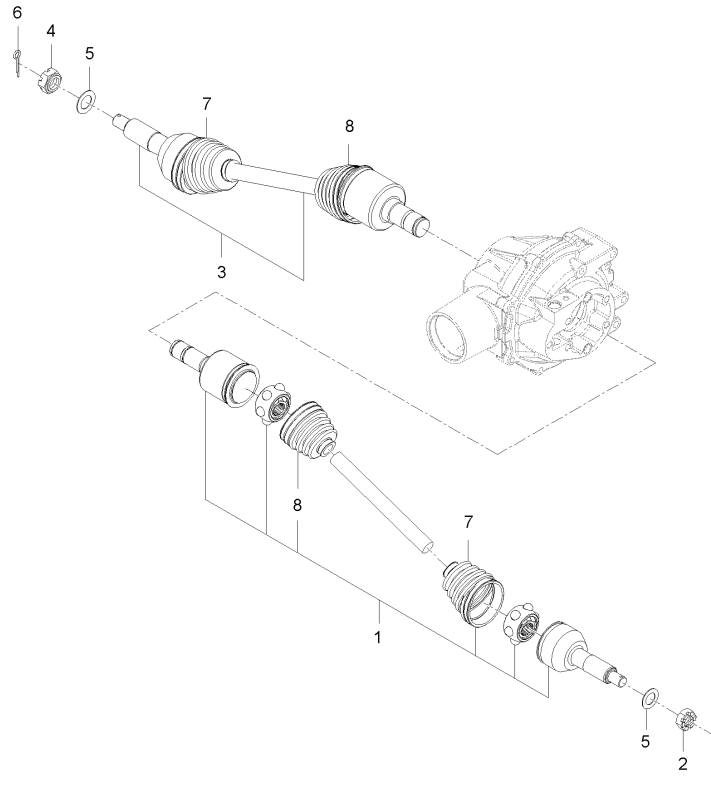
A : MEC2230SW-EU , B : MEC2230SA-EU , C : MEC2230ST-EU

No.	Part Number	Description	Q'TY					I.C	Remark
			A	B	C	D	E		
1	U3210-19211	Bracket Assy - Rear Diff. LH	1	1	1				
1	U3210-19212	Bracket Assy - Rear Diff. LH	1	1	1			<---	
2	U3215-13221	OIL SEAL(38*54*9.5)	1	1	1				
3	U3210-19271	Bracket Assy - Rear Diff., RH	1	1	1				
4	U3210-19291	BUSHING, CENTERING	4	4	4				
4	U3210-19292	BUSHING, CENTERING	4	4	4			<---	
5	02771-50100	FLANGE NUT	4	4	4				M0*1.25
6	01135-51025	BOLT	17	17	17				M8*1.25
7	U3215-50701	WASHER, PLAIN	2	2	2				
8	01133-51030	BOLT, WASHER	2	2	2				M0*1.25
9	01135-51030	BOLT, WASHER	2	2	2				M0*1.25

----> Old replace New
 <-X-> Not interchangeable
 <-O> Interchangeable with another part(s)
 <--- New replace Old
 <---> Interchangeable

U1-U0240A

Rear Axle Drive Group



A : MEC2230SW-EU , B : MEC2230SA-EU , C : MEC2230ST-EU

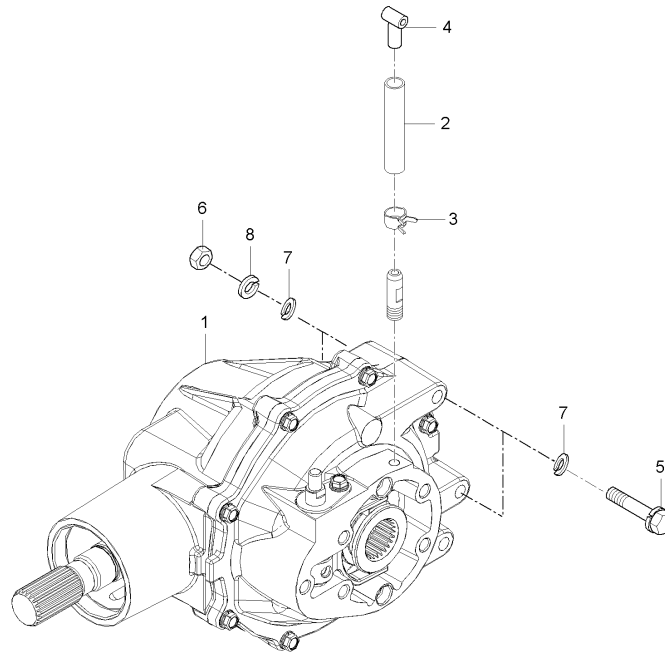
No.	Part Number	Description	Q'TY					I.C	Remark
			A	B	C	D	E		
1	U3215-19411	Drive Shaft Assy-RR-LH	1	1	1				
2	U3210-19421	NUT, CASTLE	1	1	1				
3	U3215-19441	Drive Shaft Assy-RR-RH	1	1	1				
4	U3210-19421	NUT, CASTLE	1	1	1				
5	U3210-19461	Washer, Rear Hub	2	2	2				
6	05511-50435	PIN, SPLIT	2	2	2				DI A4
7	U3210-19471	BOOT REPAIR KIT-FRT I/B (W/ GREASE)	1	1	1				
8	U3210-19481	BOOT REPAIR KIT-FRT I/B (W/ GREASE)	1	1	1				

----- Old replace New
 <-X-> Not interchangeable
 <-O-> Interchangeable with another part(s)

<--- New replace Old
 <---> Interchangeable

U1-U0300A

Rear Differential Group



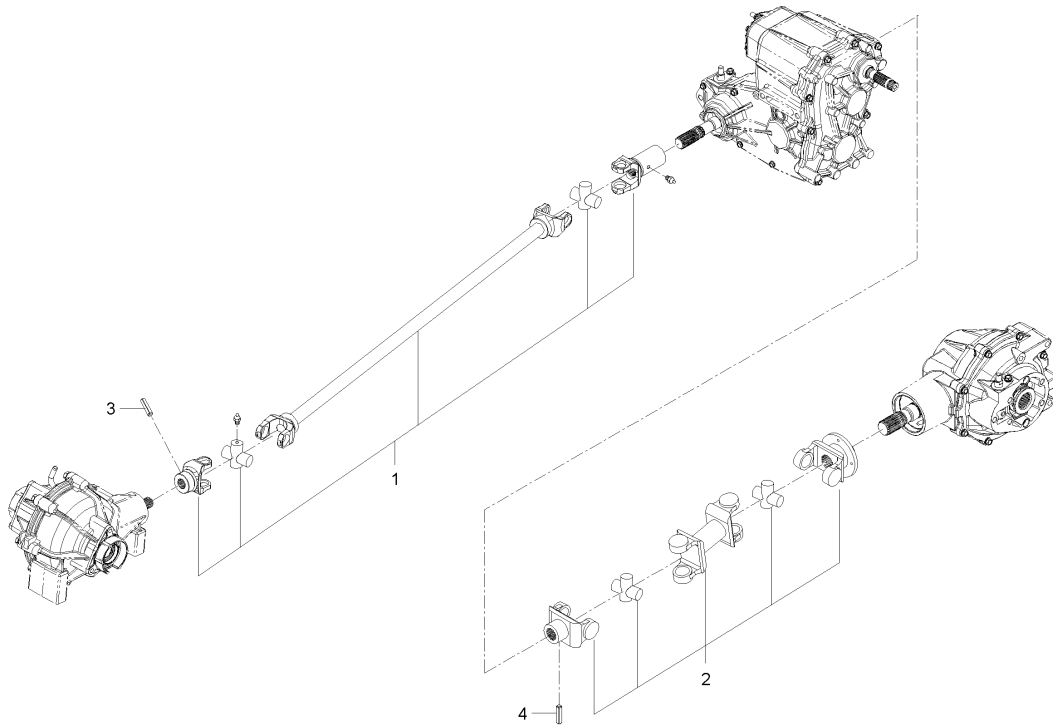
A : MEC2230SW-EU , B : MEC2230SA-EU , C : MEC2230ST-EU

No.	Part Number	Description	Q'TY					I.C	Remark
			A	B	C	D	E		
1	U3215-A3001	REAR AXLE CASE GROUP	1	1	1				
2	U3215-16613	HOSE, OVER FLOW	1	1	1				
3	14911-4275-1	CLIP, TUBE	1	1	1				
4	U3215-16621	CONNECTOR, AIR BREATHER	1	1	1				
5	01173-51055	BOLT	2	2	2			M0X1.25	
6	02176-50100	NUT	2	2	2			M0XP1.25	
7	04013-50100	WASHER, PLAIN	4	4	4			M0	
8	04512-50100	WASHER, SPRING	2	2	2			M0	

----> Old replace New
 <-X-> Not interchangeable
 <-O-> Interchangeable with another part(s)
 <--- New replace Old
 <--- Interchangeable

U3400-G190A

Propeller Shaft Group



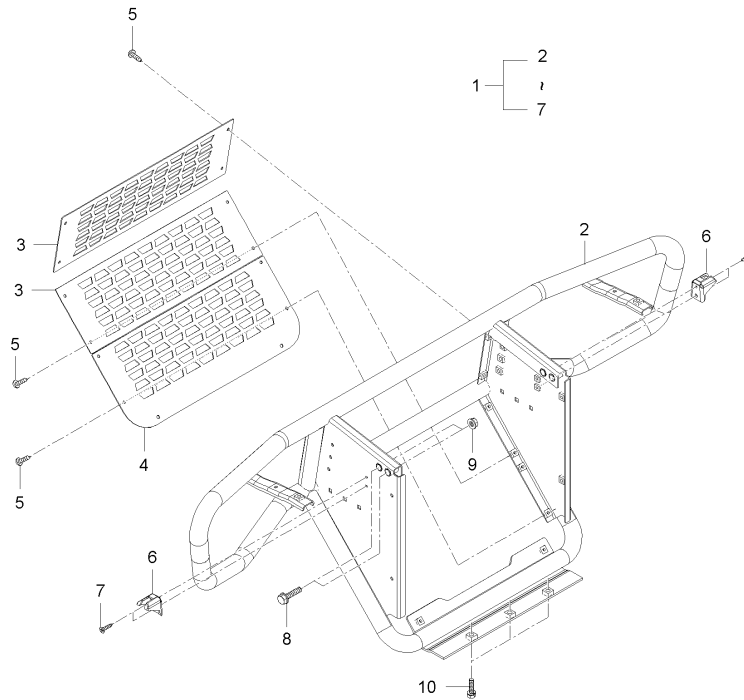
A : MEC2230SW-EU , B : MEC2230SA-EU , C : MEC2230ST-EU

No.	Part Number	Description	Q'TY					I.C	Remark
			A	B	C	D	E		
1	U3210-19612	P/Shaft Assy - Front	1	1	1				
2	U3400-19051		1	1	1				
3	05411-00640	PIN, SPRING	1	1	1				
4	05411-00840	PIN, SPRING	1	1	1				∅A8*40

<---> ∅ d replace New
 <-X-> Not interchangeable
 <-O-> Interchangeable with another part(s)
 <---> New replace ∅ d
 <---> Interchangeable

U1-U0210A

Guard Group



A : MEC2230SW-EU , B : MEC2230SA-EU , C : MEC2230ST-EU

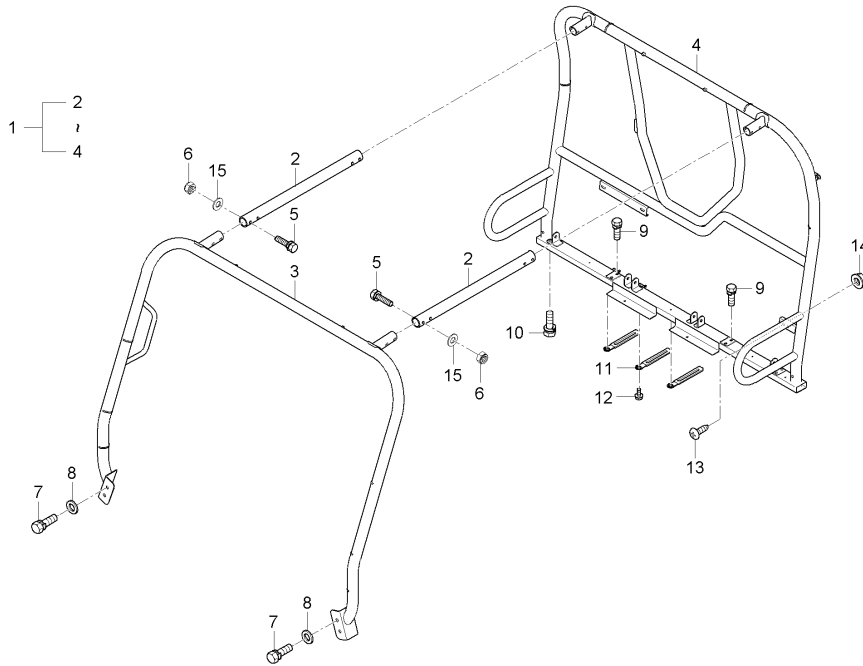
No.	Part Number	Description	Q'TY					I.C	Remark
			A	B	C	D	E		
1	U3210-36102	GUARD ASSY	1	1	1				
1	U3210-36103	GUARD ASSY	1	1	1			<---	
2	U3210-36111	Guard Front Assy	1	1	1				
2	U3210-36112	Guard Front Assy	1	1	1			<---	
3	U3210-36311	Plate Front Mesh Upper	2	2	2				
4	U3210-36351	Plate Front Mesh Lower	1	1	1				
5	03054-50516B	BOLT	14	14	14				
6	U3215-26051	HOOD LOCKING CLIP	2	2	2				
6	U3210-36051	HOOD LOCKING CLIP	2	2	2			<---	
7	03054-50412B	BOLT	4	4	4				
8	01774-51045	BOLT, FLANGE	4	4	4				
9	02783-50100	FLANGE NUT	4	4	4			M0XP1.25	
10	01125-50820	BOLT, WASHER	3	3	3			M6*P1.25	

----> Old replace New
 <-X-> Not interchangeable
 <-O> Interchangeable with another part(s)

<--- New replace Old
 <---> Interchangeable

U3-U0220A

ROPS GROUP



A : MEC2230SW-EU , B : MEC2230SA-EU , C : MEC2230ST-EU

No.	Part Number	Description	Q'TY					I.C	Remark
			A	B	C	D	E		
1	U3230-36502	ROPS ASSY	1	1	1				
2	U3210-36861	Frame Middle	2	2	2				
3	U3230-36511	FRAME FRONT ASSY	1	1	1				
4	U3230-36712	FRAME REAR ASSY	1	1	1				
5	01125-50855B	BOLT	8	8	8				
5	01125-50860B	BOLT	10	10	10		<---		
6	02763-50080B	FLANGE NUT	8	8	8				
6	U3215-96251	U-NUT	8	8	8		<---		
7	01135-51230B	BOLT	4	4	4				
8	04013-50120B	WASHER	4	4	4				
9	01125-51060B	BOLT	6	6	6				
10	01125-50860B	BOLT	2	2	2				
11	34150-2939-1	CLAMP, WIRE	3	3	3				
12	01754-50610	FLANGE BOLT	3	3	3			M6XP1.0	
13	U3215-81552	Screw (Black)	2	2	2				
14	02761-50060	FLANGE NUT	2	2	2			M6XP1.0	
15	04013-50080B	WASHER	8	8	8				

-----> Old replace New

<-X-> Not interchangeable

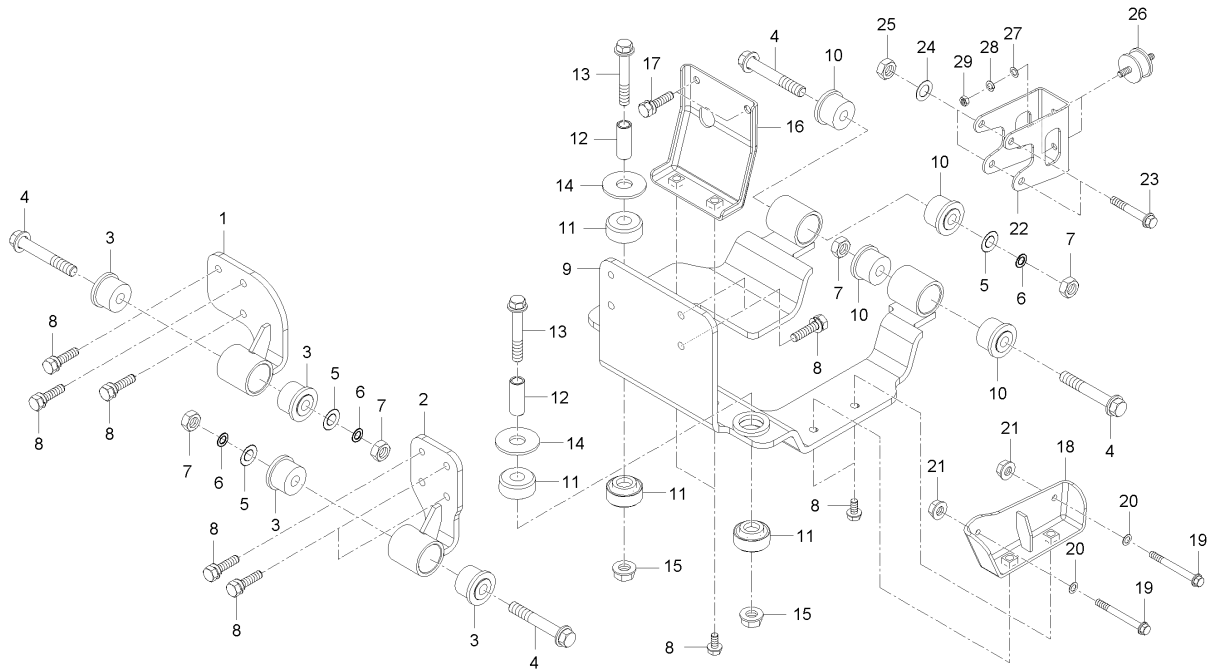
<-O-> Interchangeable with another part(s)

<----- New replace Old

<-----> Interchangeable

U1-U0250A

ENGINE MOUNTING GROUP



A : MEC2230SW-EU , B : MEC2230SA-EU , C : MEC2230ST-EU

No.	Part Number	Description	Q'TY					I.C	Remark
			A	B	C	D	E		
1	U3210-35611	Bracket Assy-Engine Mounting, Front	1	1	1				
2	U3210-35642	ENGINE MOUNTING FRONT(LH)	1	1	1				
3	U3210-35661	Damper-Roll Mounting	4	4	4				
4	U3210-35681	REAMER BOLT, FLANGE	4	4	4				
5	04013-50120	WASHER, PLAIN	4	4	4				M2
6	04512-50120	WASHER, SPRING	4	4	4				M2
7	02174-50120	NUT	4	4	4				M2*P1. 25
8	01135-51030	BOLT, WASHER	15	15	15				M0*1. 25
9	U3210-35711	Bracket Assy-Engine Mounting, Rear	1	1	1				
10	U3210-35661	Damper-Roll Mounting	4	4	4				
11	U3210-35731	Damper Assy- Engine Mounting	4	4	4				
12	U3210-35751	BUSHING	2	2	2				
13	01133-51275	BOLT	2	2	2				M2*1. 25
14	U3210-35771	WASHER	2	2	2				
15	02783-50120	FLANGE NUT	2	2	2				
16	U3210-35791	Bracket assy- TM Mounting, Front	1	1	1				
17	01135-51020	BOLT, WASHER	2	2	2				M0*1. 25
18	U3210-35811	Bracket - TM Mounting, Side	1	1	1				
19	01125-50875	BOLT	2	2	2				M8

----> Old replace New

<-X-> Not interchangeable

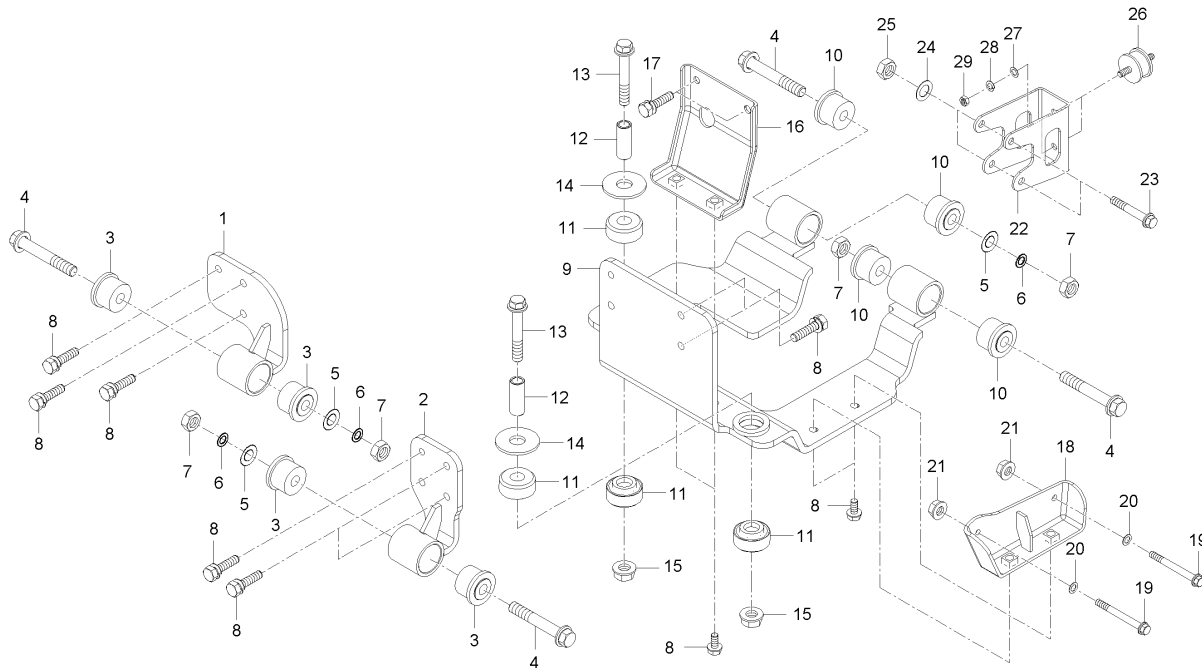
<-O-> Interchangeable with another part(s)

<--- New replace Old

<--- Interchangeable

U1-U0250A

ENGINE MOUNTING GROUP



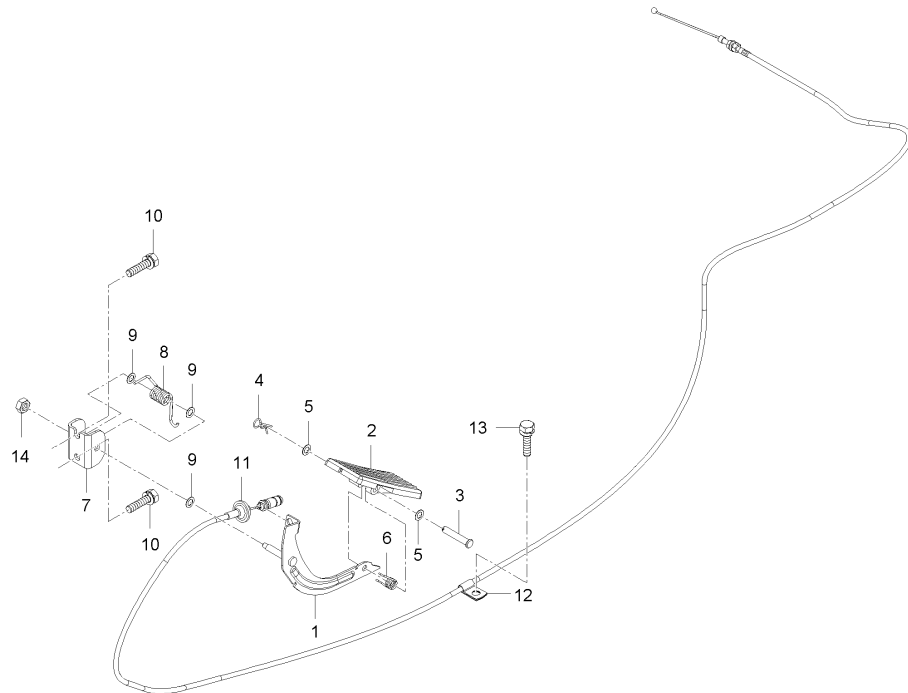
A : MEC2230SW-EU , B : MEC2230SA-EU , C : MEC2230ST-EU

No.	Part Number	Description	Q'TY					I.C	Remark
			A	B	C	D	E		
20	04013-50080	WASHER	2	2	2				M8
21	02763-50080	FLANGE NUT	2	2	2				M8XP1.25
22	U3210-35851	Bracket - TM Mounting, Rear	1	1	1				
23	01133-51075	BOLT	2	2	2				M10XP1.25
24	04013-50100	WASHER, PLAIN	2	2	2				M10
25	02118-50100	NUT	2	2	2				M10*P1.25
26	44366-8221-2	RUBBER, DUSTPROOF	2	2	2				
27	04013-50080	WASHER	4	4	4				M8
28	04512-50080	SPRING WASHER	4	4	4				M8
29	02156-50080	NUT	4	4	4				M8XP1.25

----- Old replace New
 <-X-> Not interchangeable
 <-O-> Interchangeable with another part(s)
 ----- New replace Old
 <-> Interchangeable

U1-U0270A

Accelerator Pedal Group



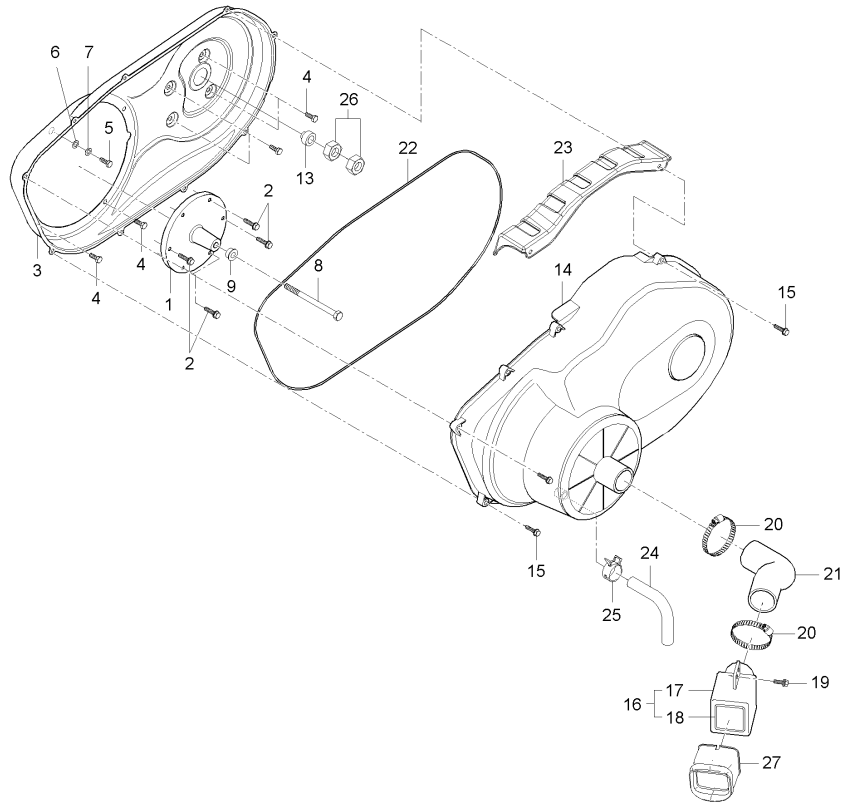
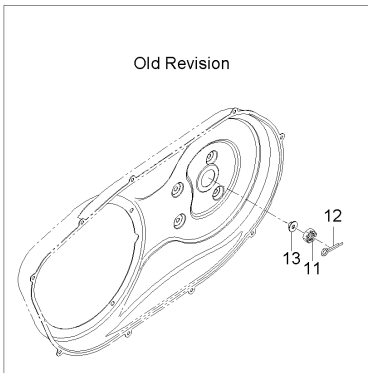
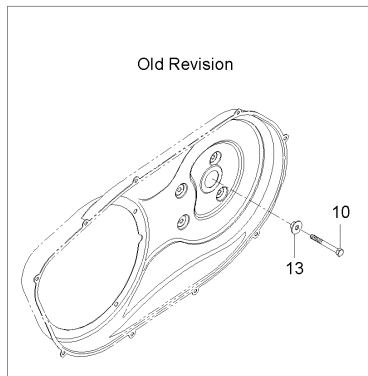
A : MEC2230SW-EU , B : MEC2230SA-EU , C : MEC2230ST-EU

No.	Part Number	Description	Q'TY					I.C	Remark
			A	B	C	D	E		
1	U3210-64813	Arm Assy - Accel Pedal	1	1	1				
2	U3210-64851	Foot - Accel Pedal	1	1	1				
3	05122-50845	JOINT PIN	1	1	1				
4	05525-50800	PIN, SNAP	1	1	1				
5	04012-50080	WASHER	2	2	2				DI A18*T1.2
6	U3210-64871	Spring - Accel Pedal	1	1	1				
7	U3210-64911	Brkt - Accel Pedal Mtg.	1	1	1				
8	U3210-64921	Spring-Accelerator	1	1	1				
9	04012-50080	WASHER	3	3	3				DI A18*T1.2
10	01754-50820	FLANGE BOLT	2	2	2				M6*P1.25
11	U3215-74602	CABLE ASSY, PEDAL ACCELERATOR	1	1	1				
12	U3210-64551	CLAMP	1	1	1				
13	01754-50616	BOLT, FLANGE	1	1	1				M6*P1.0
14	U3215-96201	LOCK NUT	1	1	1				

----> Old replace New
 <-X-> Not interchangeable
 <-O> Interchangeable with another part(s)
 <- - - -> New replace Old
 <- - - -> Interchangeable

U3-U0287A

CLUTCH COVER GROUP



A : MEC2230SW-EU , B : MEC2230SA-EU , C : MEC2230ST-EU

No.	Part Number	Description	Q'TY					I.C	Remark
			A	B	C	D	E		
1	U3215-29801	ADAPTOR, CVT DRIVE	1	1	1				
2	01754-50825	FLANGE BOLT	6	6	6				M8*P1.25
3	U3215-29104	Clutch Cover Assy - Inner	1	1	1				
4	01754-50812	BOLT, FLANGE	7	7	7				M8*P1.25
5	01153-50812	BOLT	1	1	1				
6	04013-50080	WASHER	1	1	1				M8
7	04512-50080	SPRING WASHER	1	1	1				M08
8	U3215-29901	BOLT, CVT DRIVE	1	1	1				
9	U3215-29931	PLUG	1	1	1				
10	U3210-29911	BOLT	1	1	1				
11	02376-50140	NUT, SLOTIED	1	1	1				M4*1.5
12	05511-50325	PIN, SPLIT	1	1	1				
13	U3210-29953	WASHER	1	1	1				
14	U3214-29302	OUTER	1	1	1				
15	01754-50625	BOLT, FLANGE	9	9	9				7T
16	U3215-29721	AIR BAFFLING BOX ASSY	1	1	1				
17	U3215-29751	BOX-AIR BAFFELING	1	1	1				
18	U3215-29771	FILTER, CVT	1	1	1				
18	U3215-29772	FILTER - CVT	1	1	1				<--->

----> Old replace New

<-X-> Not interchangeable

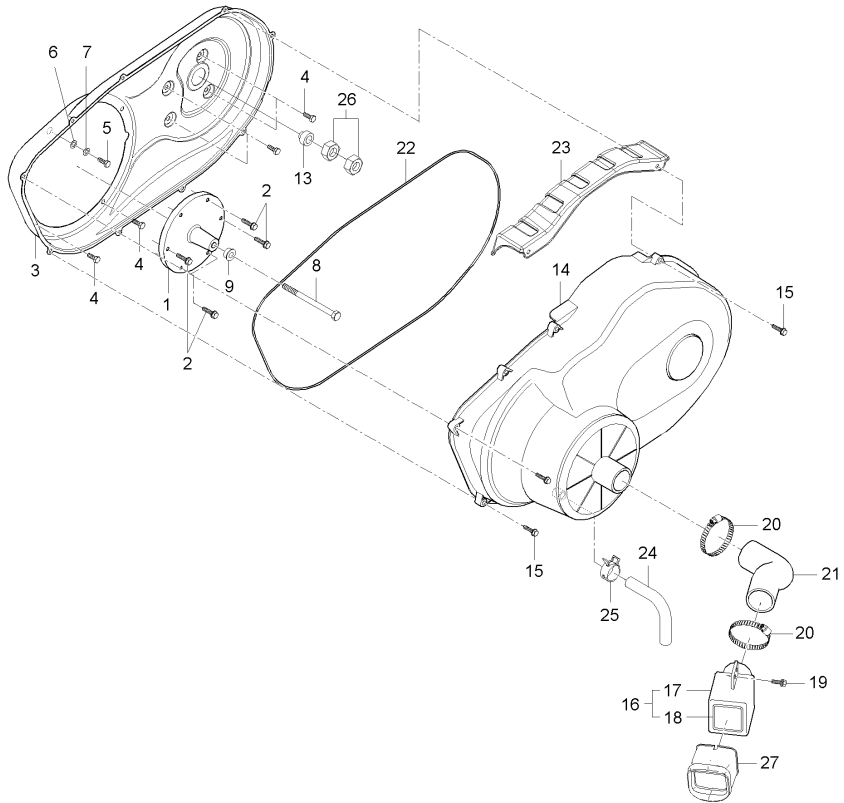
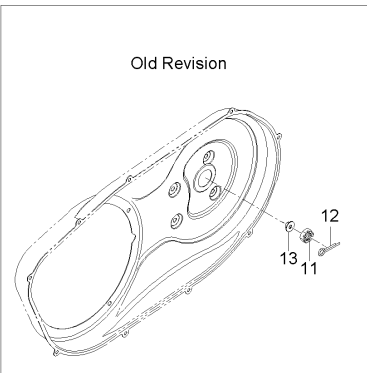
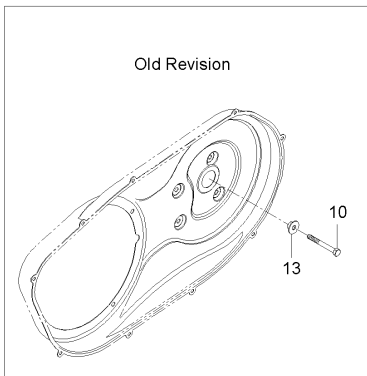
<-O-> Interchangeable with another part(s)

<--- New replace Old

<---> Interchangeable

U3-U0287A

CLUTCH COVER GROUP



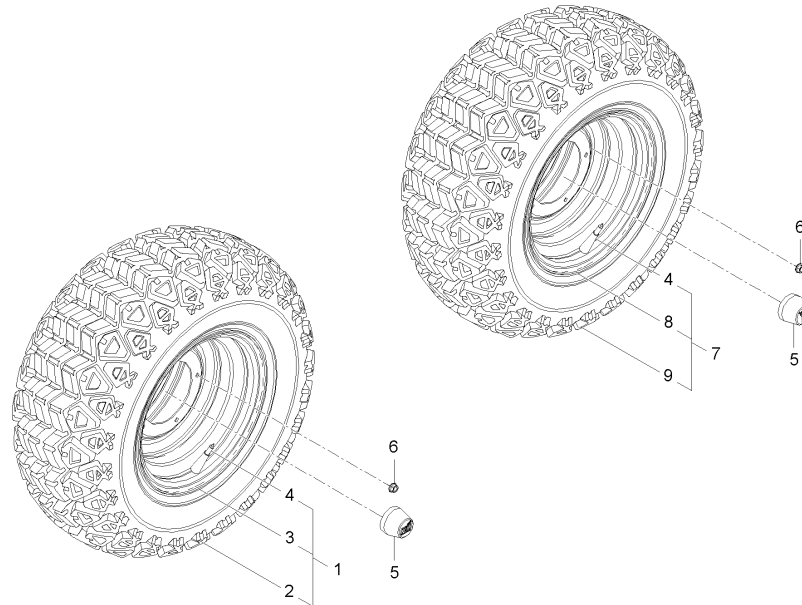
A : MEC2230SW-EU , B : MEC2230SA-EU , C : MEC2230ST-EU

No.	Part Number	Description	Q'TY					I.C	Remark
			A	B	C	D	E		
19	01754-50625	BOLT, FLANGE	2	2	2				7T
20	09318-89063	CLMAP, HOSE	2	2	2				철사64#
21	U3230-29621	HOSE CVT, INLET	1	1	1				
22	U3215-29352	GASKET, CVT COVER	1	1	1				
23	U3214-29341	COVER	1	1	1				
24	U3214-29351	HOSE	1	1	1				
25	14911-4275-1	CLIP, TUBE	1	1	1				
26	02176-50120	NUT	2	2	2				M2*1.25
27	U3400-21511	GUIDE,AIR BAFFLING BOX	1	1	1				

----- Old replace New
 <-X-> Not interchangeable
 <-O-> Interchangeable with another part(s)
 <--- New replace Old
 <---> Interchangeable

U1-U0290A

Wheel & Tire Group(WORK)



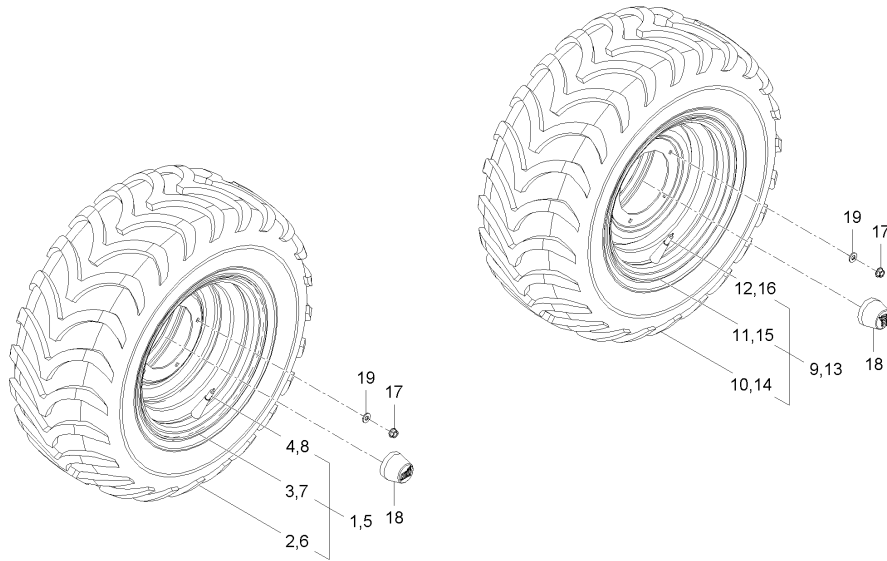
A : MEC2230SW-EU , B : MEC2230SA-EU , C : MEC2230ST-EU

No.	Part Number	Description	Q'TY					I.C	Remark
			A	B	C	D	E		
1	U3210-63171	Wheel & Tire-RR	2						
1	U3210-63351	WORK TIRE ASS'Y	2					<---	
1	U3210-63352	WORK TIRE ASS'Y	2					<---	
2	U3210-63321	Tire-FRT (25X10 R12)	1						
2	U3210-63391	TIRE(25X10R12)	1					<---	
3	U3215-23221	WHEEL, RR, work site	1						
4	U3210-63161	DIVIDER.CMP,FROW	1						
5	U3210-63342	Cap-Wheel	4						
6	U3215-50801	NUT, LOCK	20						
6	U3215-50751	NUT WHEEL	20					<---	
7	U3210-63151	Wheel & Tire-FRT	2						
7	U3210-63352	WORK TIRE ASS'Y	4					<---	
8	U3210-63121	Wheel-FRT	1						
8	U3210-63122	Wheel-FRT	1					<---	
9	04013-50100B	WASHER	20						

----> Old replace New
 <-X-> Not interchangeable
 <-O-> Interchangeable with another part(s)
 <--- New replace Old
 <--- Interchangeable

U1-U0291A

Wheel & Tire Group(Mud)



A : MEC2230SW-EU , B : MEC2230SA-EU , C : MEC2230ST-EU

No.	Part Number	Description	Q'TY					I.C	Remark
			A	B	C	D	E		
1	U3210-63241	Wheel & Tire Front - LH		2					
1	U3210-63651	MUD TIRE ASS'Y(LH)		1				<---	
2	U3210-63111	Tire, FRT (25X10 R12)		1					
2	U3210-63691	TIRE(25X10R12)		1				<---	
3	U3210-63121	Wheel-FRT		1					
4	U3210-63161	DIVIDER.CMP,FROW		1					
5	U3210-63251	Wheel & Tire Front - RH		2					
5	U3210-63661	MUD TIRE ASS'Y(RH)		1				<---	
6	U3210-63111	Tire, FRT (25X10 R12)		1					
6	U3210-63691	TIRE(25X10R12)		1				<---	
7	U3210-63121	Wheel-FRT		1					
8	U3210-63161	DIVIDER.CMP,FROW		1					
9	U3210-63261	Wheel & Tire Rear - LH		1					
9	U3210-63651	MUD TIRE ASS'Y(LH)		1				<---	
10	U3210-63211	Tire, RR (25X11 R12)		1					
10	U3210-63691	TIRE(25X10R12)		1				<---	
11	U3210-63221	Wheel-RR		1					
11	U3210-63121	Wheel-FRT		1				<---	
12	U3210-63161	DIVIDER.CMP,FROW		1					

----> Old replace New

<-X-> Not interchangeable

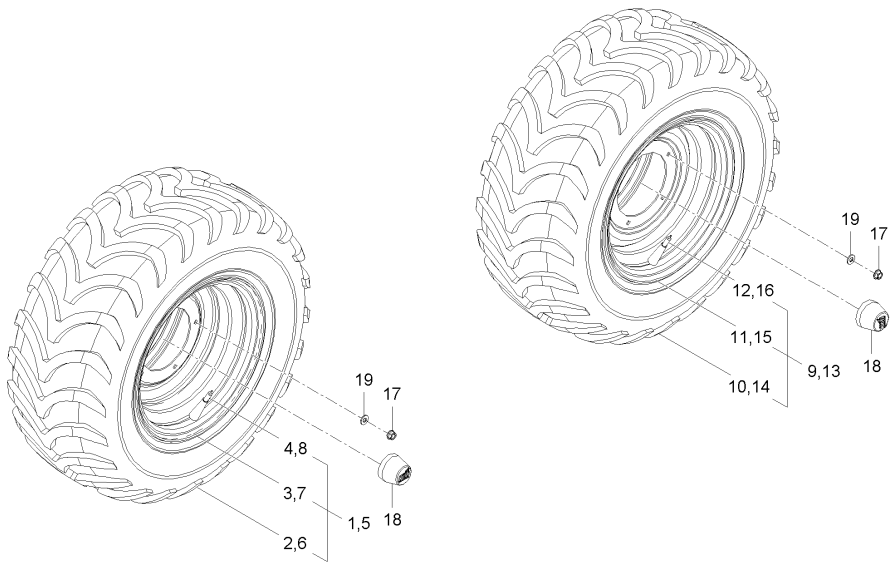
<-O-> Interchangeable with another part(s)

<---- New replace Old

<----> Interchangeable

U1-U0291A

Wheel & Tire Group(Mud)



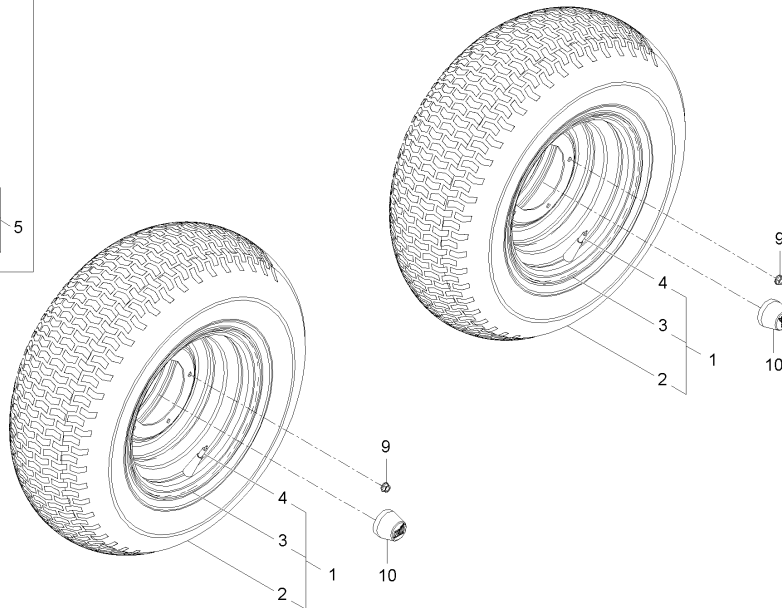
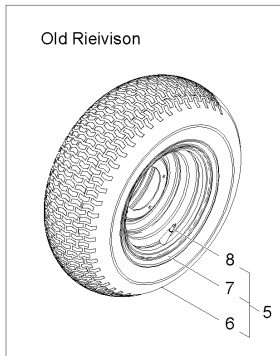
A : MEC2230SW-EU , B : MEC2230SA-EU , C : MEC2230ST-EU

No.	Part Number	Description	Q'TY					I.C	Remark
			A	B	C	D	E		
13	U3210-63271	Wheel & Tire Rear - RH		1					
13	U3210-63661	MUD TIRE ASS'Y(RH)		1				<---	
14	U3210-63211	Tire, RR (25X11 R12)		1					
14	U3210-63691	TIRE(25X10R12)		1				<---	
15	U3210-63221	Wheel-RR		1					
15	U3210-63121	Wheel-FRT		1				<---	
16	U3210-63161	DIVIDER.CMP,FROW		1					
17	U3215-50801	NUT, LOCK		20					
17	U3215-50751	NUT WHEEL		20				<---	
18	U3210-63342	Cap-Wheel		4				<---	
19	04013-50100	WASHER, PLAIN		20					

----> Old replace New
 <-X-> Not interchangeable
 <-O> Interchangeable with another part(s)
 <--- New replace Old
 <---> Interchangeable

U1-U0292A

Wheel & Tire Group(Turf)



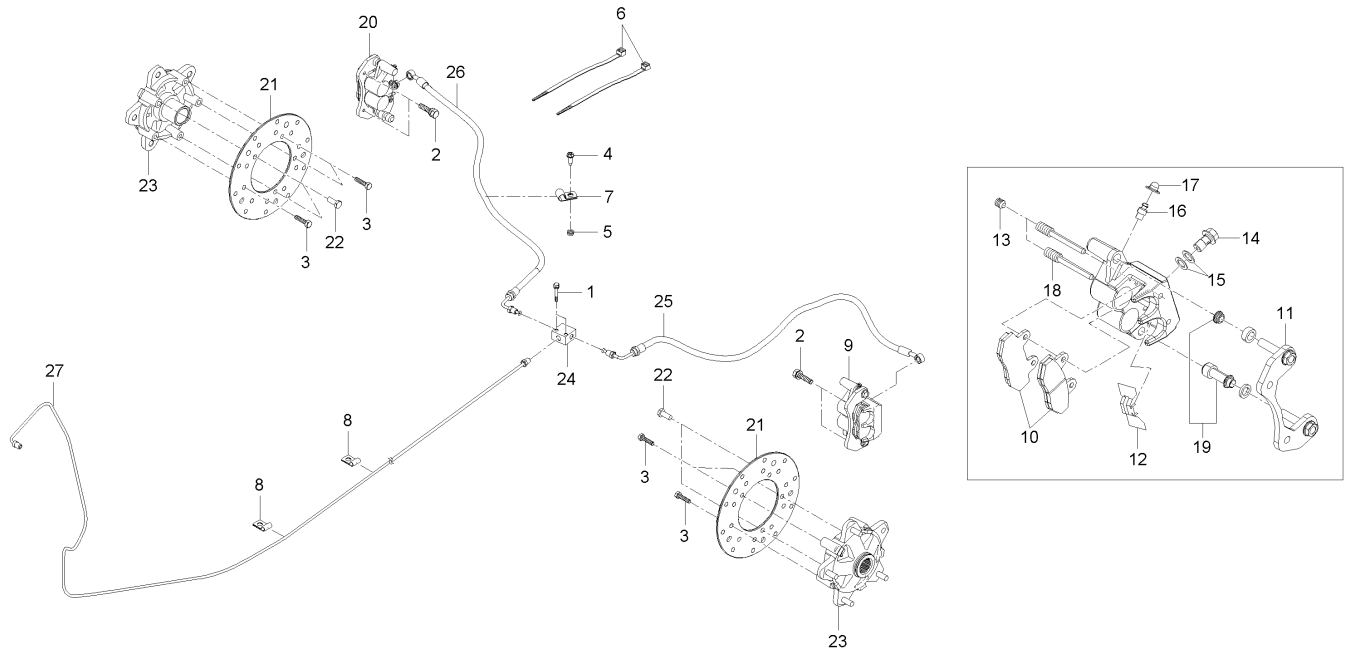
A : MEC2230SW-EU , B : MEC2230SA-EU , C : MEC2230ST-EU

No.	Part Number	Description	Q'TY					I.C	Remark
			A	B	C	D	E		
1	U3210-63281	Wheel & Tire Front			2				
1	U3210-63281	Wheel & Tire Front			4			<---	
1	U3215-23282	Wheel & Tire Front			4			<---	
2	U3210-63411	TIRE, FRT(25X10 R12)			1				
2	U3215-23412	TIRE, FRT(25X10 R12)			1			<---	
3	U3210-63121	Wheel-FRT			1				
3	U3215-23121	WHEEL, FR			1			<---	
4	U3210-63161	DIVIDER.CMP,FROW			1				
5	U3210-63291	Wheel & Tire Rear			2				
6	U3210-63421	TIRE, RR(25X11 R12)			1				
7	U3210-63221	Wheel-RR			1				
8	U3210-63161	DIVIDER.CMP,FROW			1				
9	U3215-50801	NUT, LOCK			20				
9	U3215-50751	NUT WHEEL			20			<---	
10	U3210-63342	Cap-Wheel			4				

----- Old replace New
 <-X-> Not interchangeable
 <-O-> Interchangeable with another part(s)
 <--- New replace Old
 <--- Interchangeable

U3400-G360A

RR-BRAKE SYS



A : MEC2230SW-EU , B : MEC2230SA-EU , C : MEC2230ST-EU

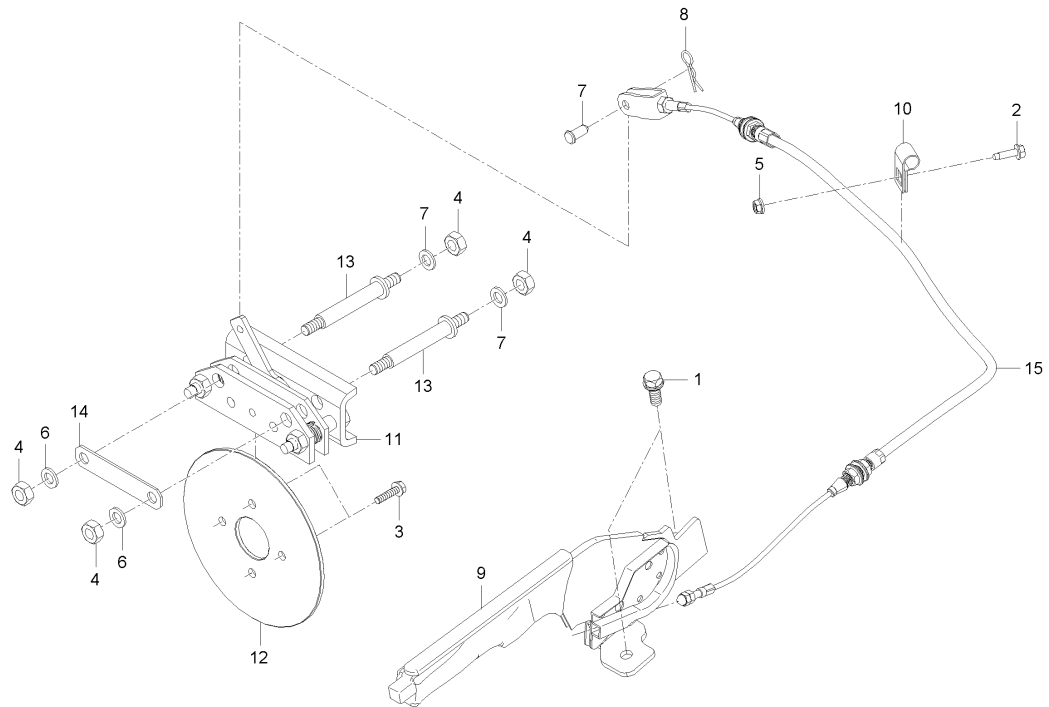
No.	Part Number	Description	QTY					I.C	Remark
			A	B	C	D	E		
1	01023-50635	BOLT, WASHER	2	2	2			M6*P1.0	
2	01125-50825	BOLT, WASHER	4	4	4			M8*1.25	
3	01153-50822	BOLT	6	6	6			M8XP1.25	
4	01754-50616	BOLT, FLANGE	2	2	2			M6*P1.0	
5	02761-50060	FLANGE NUT	1	1	1			M6XP1.0	
6	T2198-82551	BAND,CORD	3	3	3				
7	U3210-64371	CLAMP	2	2	2				
8	U3210-64551	CLAMP	2	2	2				
9	U3215-40001	CALIPER ASSY, LH	1	1	1				
10	U3215-40001001	Pad Comp	2	2	2				
11	U3215-40001002	CARRIER ASSY DIFF	1	1	1				
12	U3215-40001003	SPRING PAD	1	1	1				
13	U3215-40001004	BOLT	2	2	2				
14	U3215-40001005	BOLT, UNION	1	1	1				
15	U3215-40001006	WASHER	2	2	2				
16	U3215-40001007	BREATHER	1	1	1				
17	U3215-40001008	CAP, BLEEDER	1	1	1				
18	U3215-40001009	BOLT, HOLDER	2	2	2				
19	U3215-40001010	RUBBER KIT	1	1	1				

----> Q d repl ace New
 <-X-> Nbt i nter changeabl e
 <-O> Interchangeabl e with another part(s)

<---- New repl ace Q d
 <----> Interchangeabl e

U3400-G380A

PARKING BRAKE SYS



A : MEC2230SW-EU , B : MEC2230SA-EU , C : MEC2230ST-EU

No.	Part Number	Description	Q'TY					I.C	Remark
			A	B	C	D	E		
1	01135-51025	BOLT	2	2	2			M8*1.25	
2	01754-50616	BOLT, FLANGE	1	1	1			M6*P1.0	
3	01754-50816	BOLT, FLANGE	4	4	4			M8*P1.25	
4	02118-50100	NUT	4	4	4			M0*P1.25	
5	02751-50060	FLANGE NUT	2	2	2			M6*P1.0	
6	04011-50100	WASHER, PLAIN	4	4	4			M0	
7	05122-50818	JOINT PIN	1	1	1				
8	05525-50800	PIN, SNAP	1	1	1				
9	T4815-65511	ASSY,PACKING BRAKE	1	1	1				
10	U3215-22351	CLIP	1	1	1				
11	U3400-38021	CALIPER ASSY, PARK BRAKE	1	1	1				
12	U3400-38051	DISK,PACKING BRAKE	1	1	1				
13	U3400-38071	BOLT, GUIDE	2	2	2				
14	U3400-38091	MOUNTING PLATE	1	1	1				
15	U3400-38012	CABLE ASS'Y-PARKING	1	1	1				

----> Old replace New

<-X> Not interchangeable

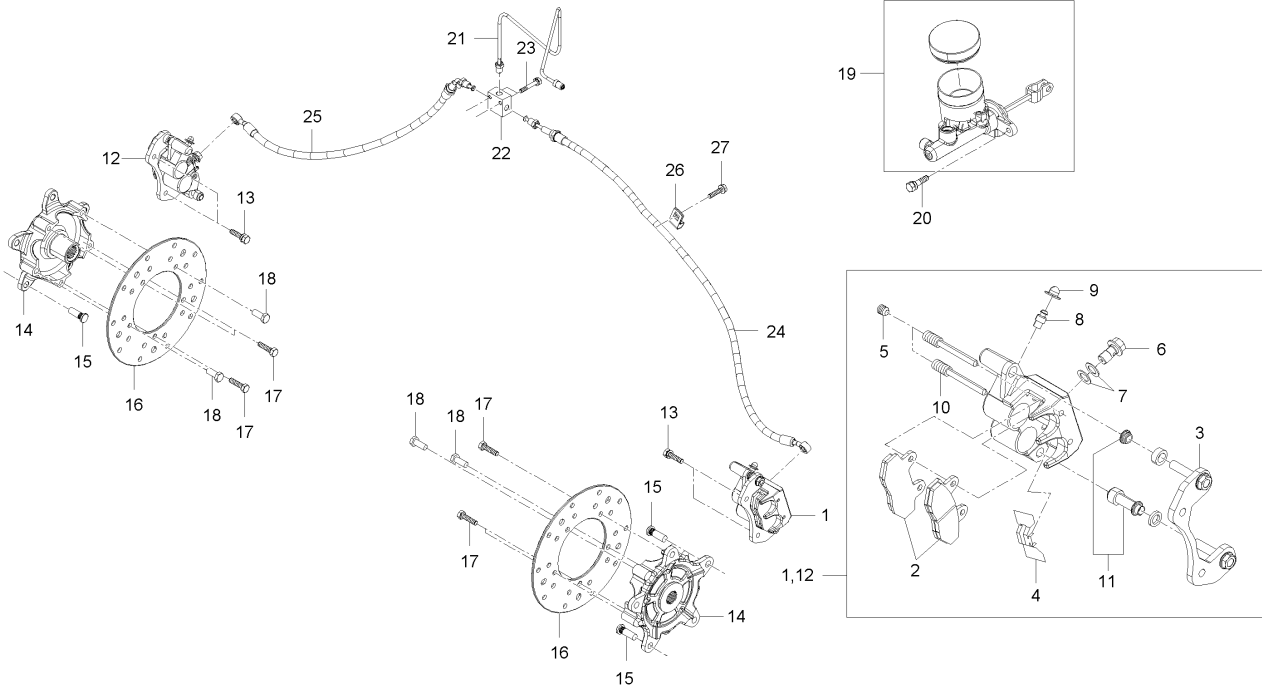
<-O> Interchangeable with another part(s)

<--- New replace Old

<---> Interchangeable

U1-U0400A

Front Break Group



A : MEC2230SW-EU , B : MEC2230SA-EU , C : MEC2230ST-EU

No.	Part Number	Description	Q'TY					I.C	Remark
			A	B	C	D	E		
1	U3215-40001	CALIPER ASSY, LH	1	1	1				
2	U3215-40011	PAD,BRAKE(4 PCS)	1	1	1				
3	U3215-40001002	CARRIER ASSY DIFF	1	1	1				
4	U3215-40001003	SPRING PAD	1	1	1				
5	U3215-40001004	BOLT	2	2	2				
6	U3215-40001005	BOLT, UNION	1	1	1				
7	U3215-40001006	WASHER	2	2	2				
8	U3215-40001007	BREATHER	1	1	1				
9	U3215-40001008	CAP, BLEEDER	1	1	1				
10	U3215-40001009	BOLT, HOLDER	2	2	2				
11	U3215-40001010	RUBBER KIT	1	1	1				
12	U3215-40101	CALIPER ASSY, RH	1	1	1				
13	01125-50825	BOLT, WASHER	4	4	4			M8*1.25	
14	U3215-41106	HUB ASSY, FR	2	2	2				
14	U3215-41107	HUB ASSY, FR	2	2	2			<---	
15	U3215-41121	BOLT(M10x1.25), HUB	5	5	5				
16	U3215-41202	DISC, BRAKE FRT	2	2	2				
17	01153-50822	BOLT	6	6	6			M8XP1.25	
18	U3215-42021	REAMER BOLT, HUB & DISC MTG.(M8X1.2	4	4	4				

----> Old replace New

<-X-> Not interchangeable

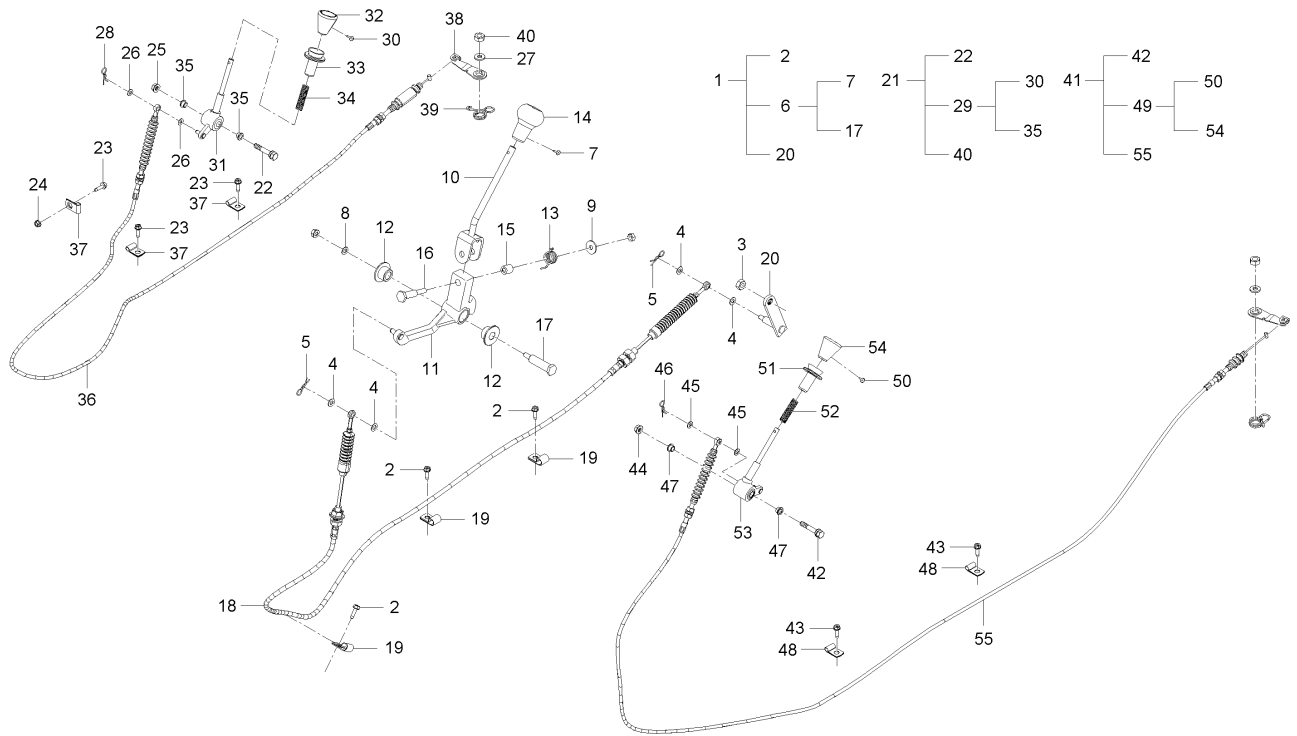
<-O-> Interchangeable with another part(s)

<--- New replace Old

<---> Interchangeable

U3400-G440A

FORWARD/REVERSE SHIFTER ASS'Y



A : MEC2230SW-EU , B : MEC2230SA-EU , C : MEC2230ST-EU

No.	Part Number	Description	Q'TY					I.C	Remark
			A	B	C	D	E		
1	U3210-64103	Selector Complete Gear	1	1	1				
2	01754-50616	BOLT, FLANGE	3	3	3				M6*P1.0
3	02783-50100	FLANGE NUT	1	1	1				M0XP1.25
4	04012-50080	WASHER	4	4	4				DI A18*T1.2
5	05525-50800	PIN, SNAP	2	2	2				
6	U3210-64113	Selector Ass'y -Gear	1	1	1				
7	03054-50516	SCREW	1	1	1				
8	04012-50080	WASHER	1	1	1				DI A18*T1.2
9	04015-50080	WASHER, PLAIN	1	1	1				T2.6
10	U3210-64132	Lever Assy-Selector, Gear	1	1	1				
11	U3210-64171	Arm Assy-Select	1	1	1				
12	U3210-64191	Bushing-Shift Lever	2	2	2				
13	U3210-64221	Spring-Shift Lever Return	1	1	1				
14	U3210-64261	Knob-Selector, Gear	1	1	1				
15	U3210-64281	Spacer-Select	1	1	1				
16	U3210-64311	Bolt-Select Bracket	1	1	1				
17	U3210-64331	Bolt-Shift Bracket	1	1	1				
18	U3210-64351	Cable Assy -Gear Selector	1	1	1				
19	U3210-64371	CLAMP	3	3	3				

----> Q d repl ace New

<- X-> Nbt i nterchangeabl e

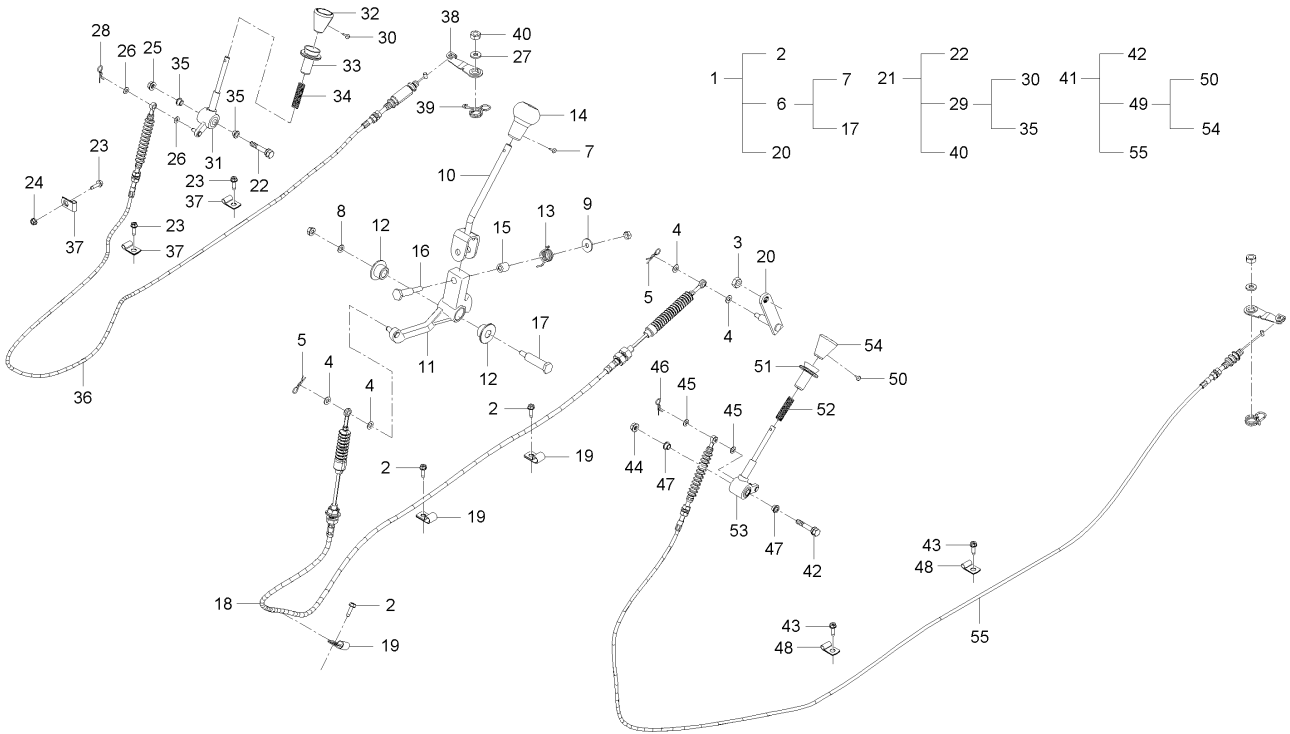
<- O-> Interchangeabl e w ith another part(s)

<- - - - New repl ace Q d

<- - - - I nterchangeabl e

U3400-G440A

FORWARD/REVERSE SHIFTER ASS'Y



A : MEC2230SW-EU , B : MEC2230SA-EU , C : MEC2230ST-EU

No.	Part Number	Description	Q'TY					I.C	Remark
			A	B	C	D	E		
20	U3210-64391	Shift Lever Assy-Gear Selector	1	1	1				
21	U3210-64402	Selector Complete 4WD	1	1	1				
22	01153-50855	BOLT	1	1	1				HEX12. MØP1. 25
23	01754-50616	BOLT, FLANGE	3	3	3				M6*P1. 0
24	02761-50060	FLANGE NUT	1	1	1				M6XP1. 0
25	02763-50080	FLANGE NUT	1	1	1				M8XP1. 25
26	04013-50060	WASHER, PLAIN	2	2	2				M6
27	04014-50100	WASHER, PLAIN	1	1	1				M0
28	05525-50600	PIN, SNAP	1	1	1				Ø1A1. 2
29	U3210-64411	Shifter Ass'y-4WD	1	1	1				
30	03054-50512	SCREW	1	1	1				M5*0. 8
31	U3210-64431	LEVER, 4WD	1	1	1				
32	U3210-64461	Knob-Shifter	1	1	1				
33	U3210-64481	Pipe-Lock, Lever	1	1	1				
34	U3210-64491	Spring-Rod	1	1	1				
35	U3210-64511	BUSHING	2	2	2				
36	U3210-64531	Cable Assy -4WD	1	1	1				
37	U3210-64551	CLAMP	3	3	3				
38	U3210-64571	LEVER, 4WD	1	1	1				

----> Old replace New

<-X-> Not interchangeable

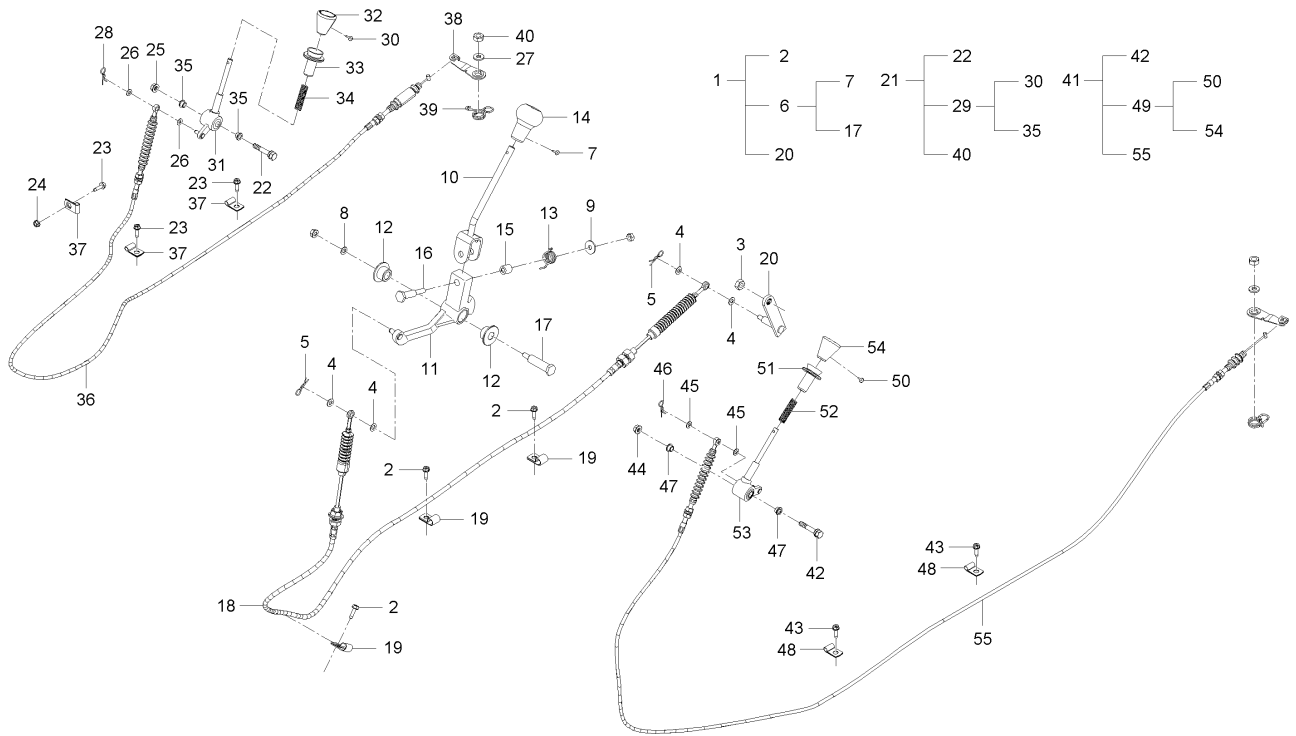
<-O-> Interchangeable with another part(s)

<---- New replace Old

<---- Interchangeable

U3400-G440A

FORWARD/REVERSE SHIFTER ASS'Y



A : MEC2230SW-EU , B : MEC2230SA-EU , C : MEC2230ST-EU

No.	Part Number	Description	Q'TY					I.C	Remark
			A	B	C	D	E		
39	U3210-64591	SPRING	1	1	1				
40	U3215-50801	NUT, LOCK	1	1	1				
41	U3400-44021	SELECTOR COMPLETE DIFF ASS'Y	1	1	1				
42	01153-50855	BOLT	1	1	1			HEX12. M8P1. 25	
43	01754-50616	BOLT, FLANGE	3	3	3			M6*P1. 0	
44	02763-50080	FLANGE NUT	1	1	1			M8*P1. 25	
45	04013-50060	WASHER, PLAIN	2	2	2			M6	
46	05525-50600	PIN, SNAP	1	1	1			DI A1. 2	
47	U3210-64511	BUSHING	2	2	2				
48	U3210-64551	CLAMP	3	3	3				
49	U3210-64612	Shifter Ass'y- Diff. Lock	1	1	1				
50	03054-50512	SCREW	1	1	1			M5*0. 8	
51	U3210-64481	Pipe-Lock, Lever	1	1	1				
52	U3210-64491	Spring-Rod	1	1	1				
53	U3210-64631	LEVER, DIFF.	1	1	1				
54	U3210-64662	Diff. Lock-Knob Assy	1	1	1				
55	U3400-44121	Cable Ass'y-Diff	1	1	1				

----> Old replace New

<-X> Not interchangeable

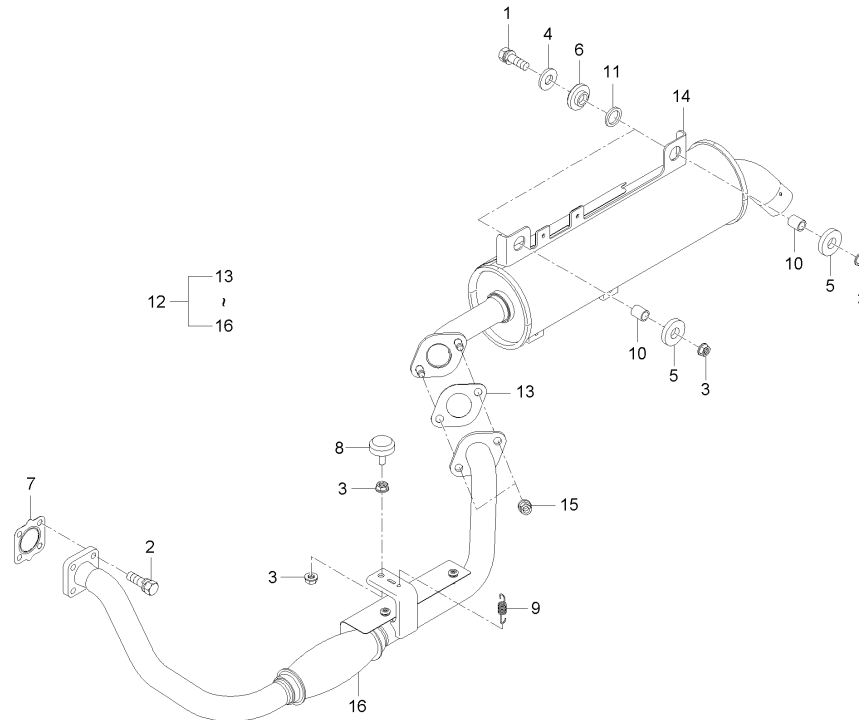
<-O> Interchangeable with another part(s)

<--- New replace Old

<--- Interchangeable

U3400-G480A

EXHAUST SYSTEM



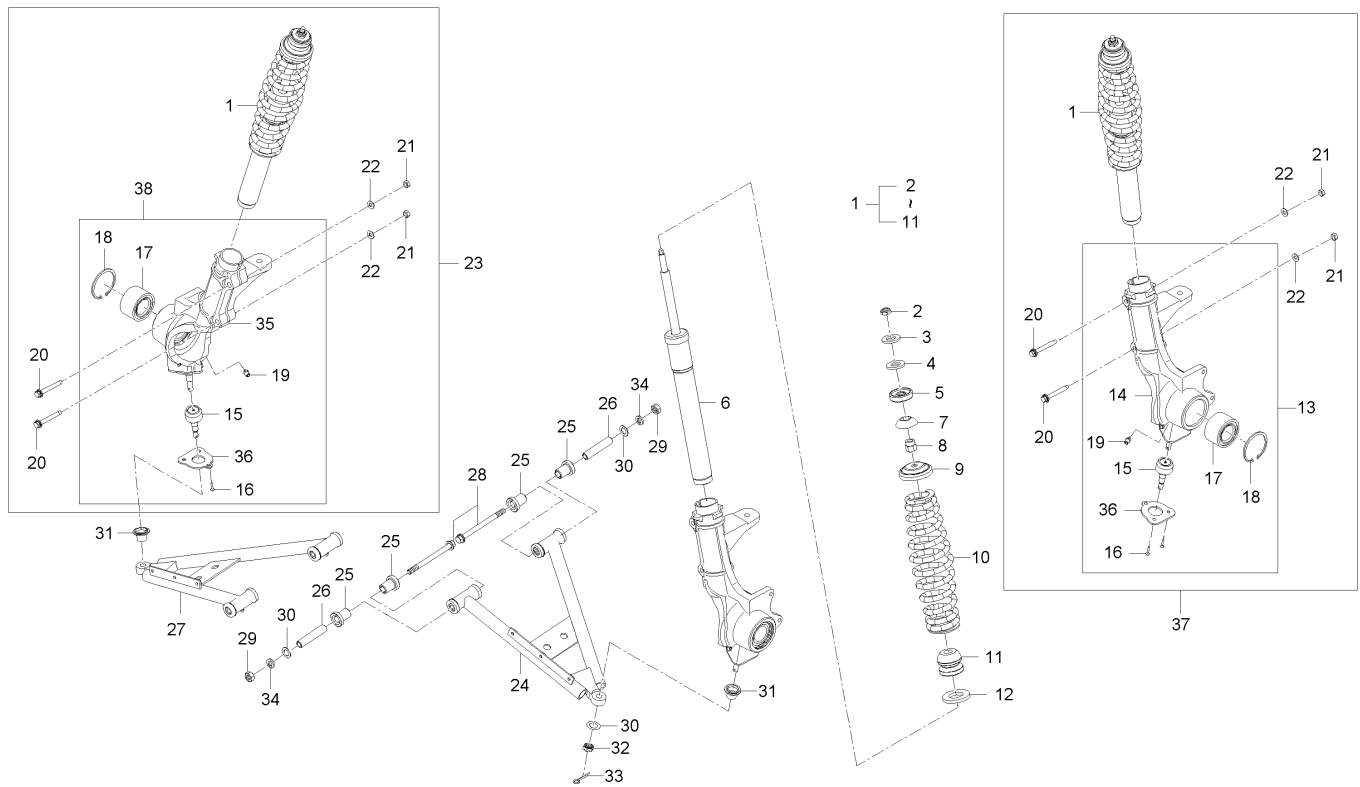
A : MEC2230SW-EU , B : MEC2230SA-EU , C : MEC2230ST-EU

No.	Part Number	Description	Q'TY					I.C	Remark
			A	B	C	D	E		
1	01123-50845	BOLT, WASHER	2	2	2			M8*P1.25	
2	01125-50830	BOLT, WASHER	4	4	4			M8*P1.25	
3	02763-50080	FLANGE NUT	4	4	4			M8*P1.25	
4	04015-50080	WASHER, PLAIN	2	2	2			T2.6	
5	U3215-75301	WASHER, RUBBER	2	2	2				
6	U3215-75401	DAMPENER, VIBRATION	2	2	2				
7	U3215-75471	GASKET, EXH, MANIFOLD	1	1	1				
8	U3215-75681	DAMPER ASSY, TORSION	1	1	1				
9	U3215-76051	SPRING, MOUNTING	1	1	1				
10	U3215-76951	BUSH	2	2	2				
11	U3215-76971	WASHER	2	2	2				
12	U3400-48001	EXHAUST ASSY	1	1	1				
13	U3215-75921	GASKET	1	1	1				
14	U3215-75982	Pipe Assy Rear	1	1	1				
15	U3215-76701	NUT, CENTER PIPE	2	2	2				
16	U3400-48011	PIPE ASS'Y FRT	1	1	1				

----- Old replace New
 <-X-> Not interchangeable
 <-O-> Interchangeable with another part(s)
 <--- New replace Old
 <---> Interchangeable

U1-U0500A

Front Suspension Group(STD)



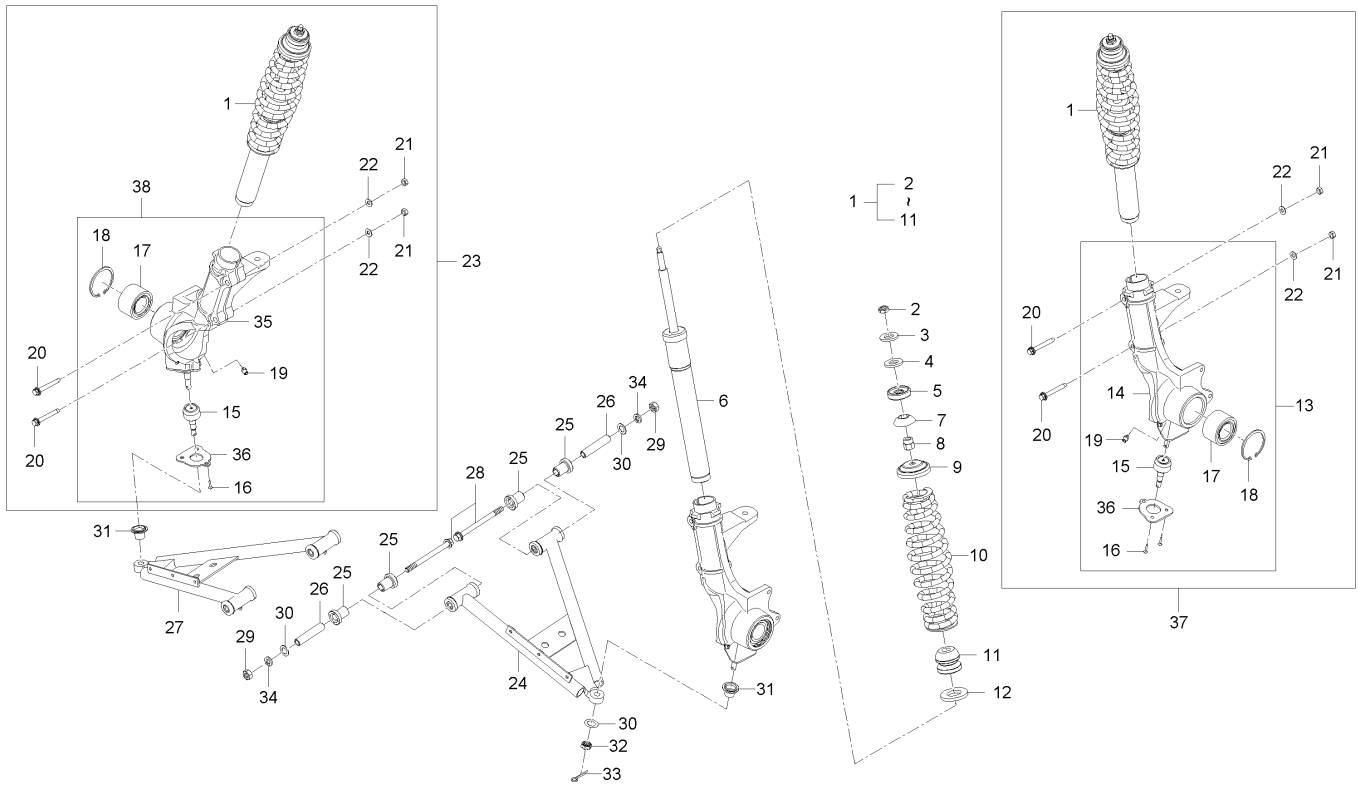
A : MEC2230SW-EU , B : MEC2230SA-EU , C : MEC2230ST-EU

No.	Part Number	Description	Q'TY					I.C	Remark
			A	B	C	D	E		
1	U3215-50011	STRUT ASSY, FRT	1	1	1				
1	U3215-50012	STRUT ASSY, FRT	1	1	1			<--->	
1	U3215-50013	STRUT ASSY, FRT	1	1	1			<---	
2	U3215-50171	NUT, STRUT TOP MTG	1	1	1				
3	U3215-50111	WASHER	1	1	1				
4	U3215-50121	SPACER, RUBBER	1	1	1				
4	U3215-50122	SPACER, RUBBER	1	1	1			<--->	
5	U3215-50131	BALL, UPR STRUT UPR MTG	1	1	1				
6	U3215-50101	SHK/ABS ASSY, FR	1	1	1				
7	U3215-50141	BALL, LWR STRUT UPR MTG	1	1	1				
8	U3215-50151	COLLAR	1	1	1				
9	U3215-50211	SPRG SEAT, UPR FR	1	1	1				
10	U3215-50201	FRICITION SPRING	1	1	1				
10	U3215-50202	FRICITION SPRING	1	1	1			<---	
11	U3215-50401	BUMP STOPPER	1	1	1				
12	U3215-50221	SPRG SEAT, LWR FR	1	1	1				
13	U3215-50308	Kunckle Assy-FR-LH	1	1	1				
13	U3215-50309	Kunckle Assy-FR-LH	1	1	1			<---	
13	U3215-5030A	Kunckle Assy-FR-LH	1	1	1			<---	

<---> Old replace New
 <-X-> Not interchangeable
 <-O> Interchangeable with another part(s)
 <--- New replace Old
 <---> Interchangeable

U1-U0500A

Front Suspension Group(STD)



A : MEC2230SW-EU , B : MEC2230SA-EU , C : MEC2230ST-EU

No.	Part Number	Description	Q'TY					I.C	Remark
			A	B	C	D	E		
14	U3215-50316	Knuckle-LH	1	1	1			<---	
14	U3215-50317	Knuckle-LH	1	1	1			<---	
15	U3215-50322	BOLL JOINT ASSY, FR LWR	1	1	1				
15	U3215-50323	BOLL JOINT ASSY, FR LWR	1	1	1			<-->	
16	03016-50620	BOLT	3	3	3				M6XP1.0
16	T5517-77711	BOLT	3	3	3			<---	
17	U3215-50331	HUB BEARING, FR	1	1	1				
17	U3400-24511	HUB BEARING, FR	1	1	1			<-->	
17	U3217-50331	HUB BEARING, FR	1	1	1			<---	
18	04611-00650	SNAP RING	1	1	1				
19	06613-10675	GREASE NIPPLE	1	1	1				M6XP0.75
20	01125-50860	BOLT, WASHER	2	2	2				
21	02156-50080	NUT	2	2	2				M6XP1.25
22	04013-50080	WASHER	2	2	2				M8
23	U3215-51008	Strut Assy-FR-RH-Complete	1	1	1				
23	U3215-51009	Strut Assy-FR-RH-Complete	1	1	1			<-->	
23	U3215-5100A	Strut Assy-FR-RH-Complete	1	1	1			<---	
23	U3215-5100B	Strut Assy-FR-RH-Complete	1	1	1			<---	
24	U3210-52105	Arm-Lwr-FR-LH	1	1	1				

----- Q d repl ace New

<-X-> Not i nterchangeabl e

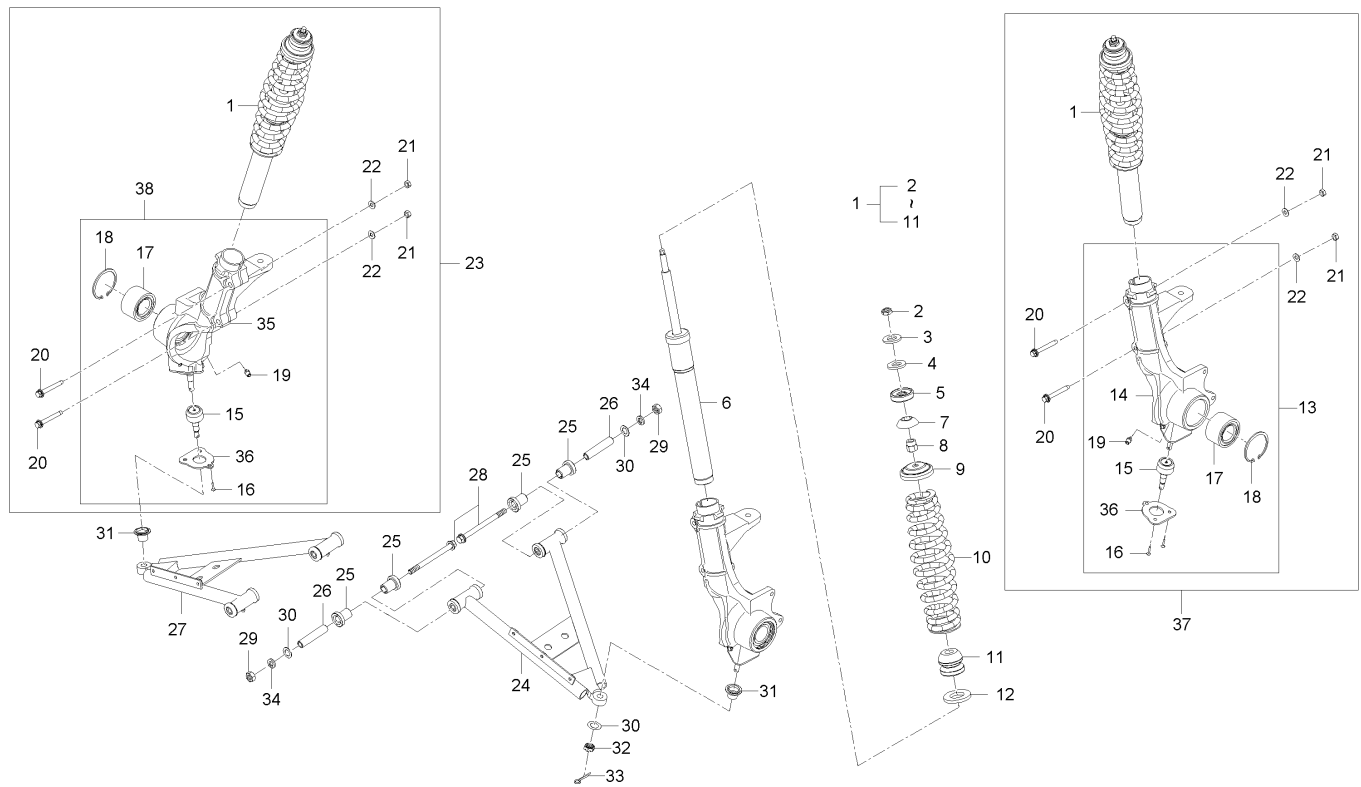
<-O-> Interchangeabl e with another part(s)

<---- New repl ace Q d

<----> Int erchangeabl e

U1-U0500A

Front Suspension Group(STD)



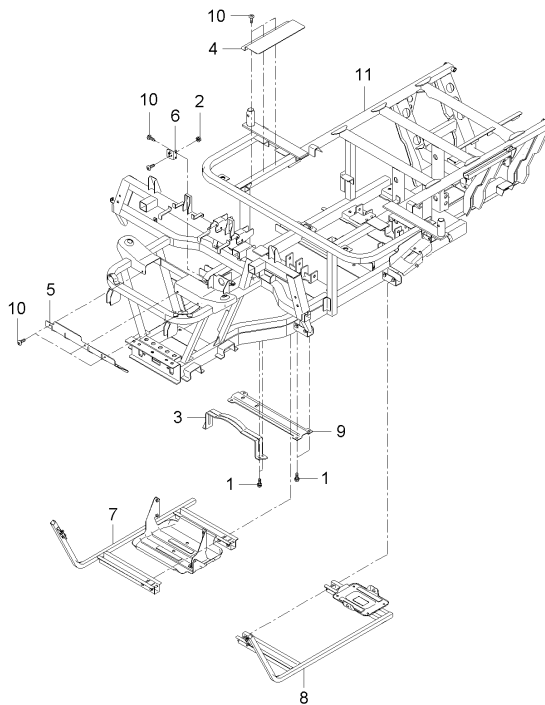
A : MEC2230SW-EU , B : MEC2230SA-EU , C : MEC2230ST-EU

No.	Part Number	Description	Q'TY					I.C	Remark
			A	B	C	D	E		
25	U3215-52201	BUSHING, ARM	4	4	4				
26	U3215-52301	BUSH	2	2	2				
27	U3210-52505	Arm Assy-LWR-FR-RH	1	1	1				
28	U3210-50511	BOLT	4	4	4				
29	02176-50100	NUT	4	4	4			M0XP1.25	
30	04013-50100	WASHER, PLAIN	6	6	6			M0	
31	U3215-50553	BOOT, BALL JOINT	2	2	2				
32	02376-50100	NUT, CASTLE	2	2	2				
33	05511-50318	PIN, SPLIT	2	2	2				
34	04512-50100	WASHER, SPRING	4	4	4			M0	
35	U3215-51316	Knuckle-RH	1	1	1				
35	U3215-51317	Knuckle-RH	1	1	1			<---	
36	U3215-50502	BRACKET, B/JOINT	1	1	1				
36	U3215-50503	BRACKET, B/JOINT	1	1	1			<---	
37	U3215-50009	Strut Assy-FR-LH-Complete	1	1	1				
37	U3215-5000A	Strut Assy-FR-LH-Complete	1	1	1			<---	
37	U3215-5000B	Strut Assy-FR-LH-Complete	1	1	1			<---	
38	U3215-51308	Knuckle Assy-FR-RH	1	1	1				
38	U3215-51309	Knuckle Assy-FR-RH	1	1	1			<---	

----> Old replace New
 <-X-> Not interchangeable
 <-O> Interchangeable with another part(s)
 <--- New replace Old
 <--- Interchangeable

U3400-G500A

Structure Group



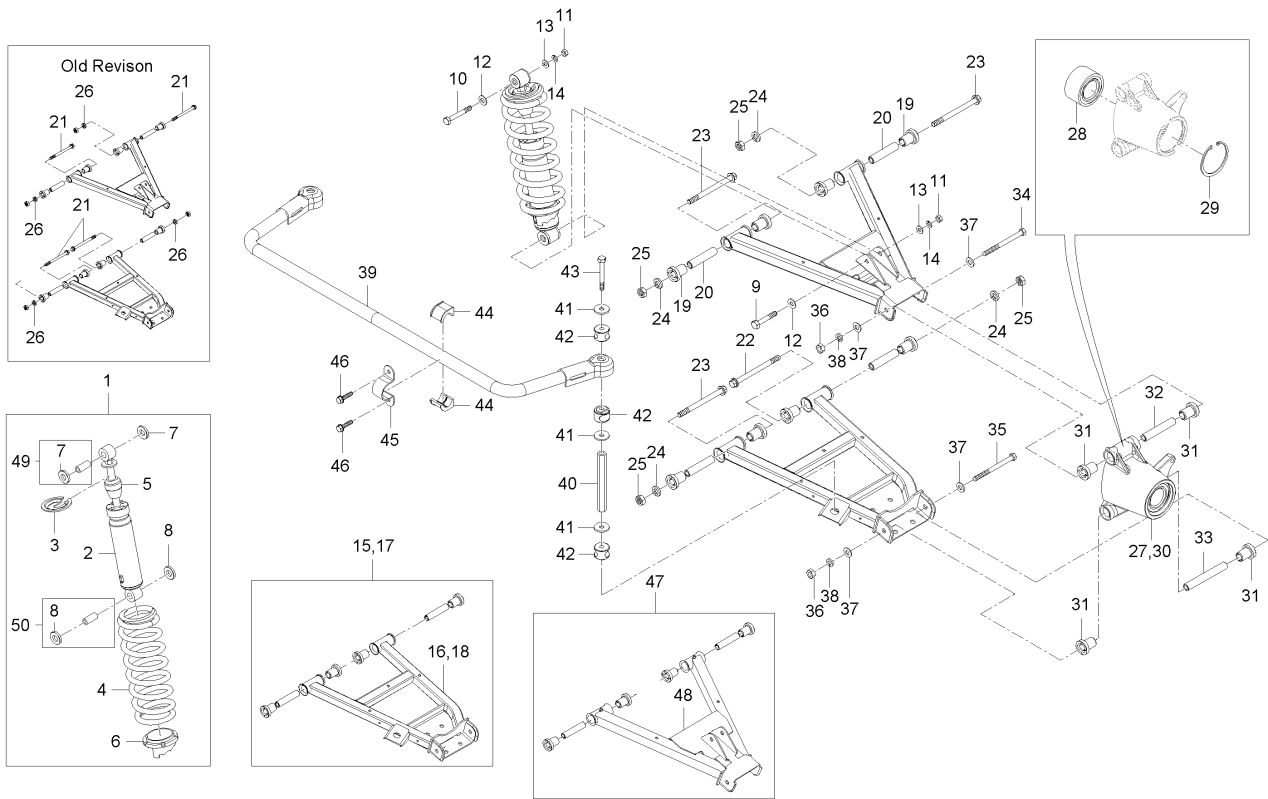
A : MEC2230SW-EU , B : MEC2230SA-EU , C : MEC2230ST-EU

No.	Part Number	Description	Q'TY					I.C	Remark
			A	B	C	D	E		
1	01774-51020	BOLT, FLANGE	8	8	8				MOP1.25
2	02761-50060	FLANGE NUT	1	1	1				M6XP1.0
3	U3210-21641	Main Floor Support	1	1	1				
4	U3210-27101	COVER, COOLING FAN	1	1	1				
5	U3210-27522	HEAT-PROTECTOR BRKT	1	1	1				
6	U3210-27601	Stay Rod BRKT	1	1	1				
7	U3210-27701	Support Floor Frame Assy RH	1	1	1				
8	U3210-27851	Support Floor Frame Assy LH	1	1	1				
9	U3210-27902	Member No.1 Lower Middle Assy	1	1	1				
10	U3215-81552	Screw (Black)	9	9	9				
11	U3400-50006	STRUCTURE ASS'Y	1	1	1				
11	U3400-50007	STRUCTURE ASS'Y	1	1	1				<---
11	U3400-50009	STRUCTURE ASS'Y	1	1	1				<---

----> Old replace New
 <-X-> Not interchangeable
 <-O> Interchangeable with another part(s)

U1-U0510A

Rear Suspension Group(STD)



A : MEC2230SW-EU , B : MEC2230SA-EU , C : MEC2230ST-EU

No.	Part Number	Description	Q'TY					I.C	Remark
			A	B	C	D	E		
1	U3215-53003	Strut Assy-RR	2	2	2				
1	U3215-53004	STRUT ASSY RR	2	2	2			<---	
2	U3215-53102	DAMPER	2	2	2				
3	U3215-53203	SPRG SEAT-UPR-RR	2	2	2				
4	U3215-53301	FRICTION SPRING	2	2	2				
5	U3215-53401	BUMP STOPPER	2	2	2				
6	U3215-53501	SPRG SEAT, LWR FR	2	2	2				
7	U3215-53601	BUSHING, RR SHK ABS	2	2	2				
8	U3215-53701	BUSHING, LWR_RR SHK/ABS	2	2	2				
9	U3215-56651	REAMER BOLT, SUS LWR, REAR (M8)	2	2	2				
10	U3215-56631	REAMER BOLT, SUS UPR, REAR (M8)	2	2	2				
11	02156-50080	NUT	4	4	4			M8XP1.25	
12	04013-50100	WASHER, PLAIN	4	4	4			M10	
13	04013-50080	WASHER	4	4	4			M8	
14	04512-50080	SPRING WASHER	4	4	4			M8	
15	U3210-55005	Arm Assy 1-Lwr-RR-LH	1	1	1				
16	U3210-55105	Arm Assy-Lwr-RR-LH	1	1	1				
17	U3210-55505	Arm Assy 1-Lwr-RR-RH	1	1	1				
18	U3210-55605	Arm Assy-Lwr-RR-RH	1	1	1				

-----> Old replace New

<-X-> Not interchangeable

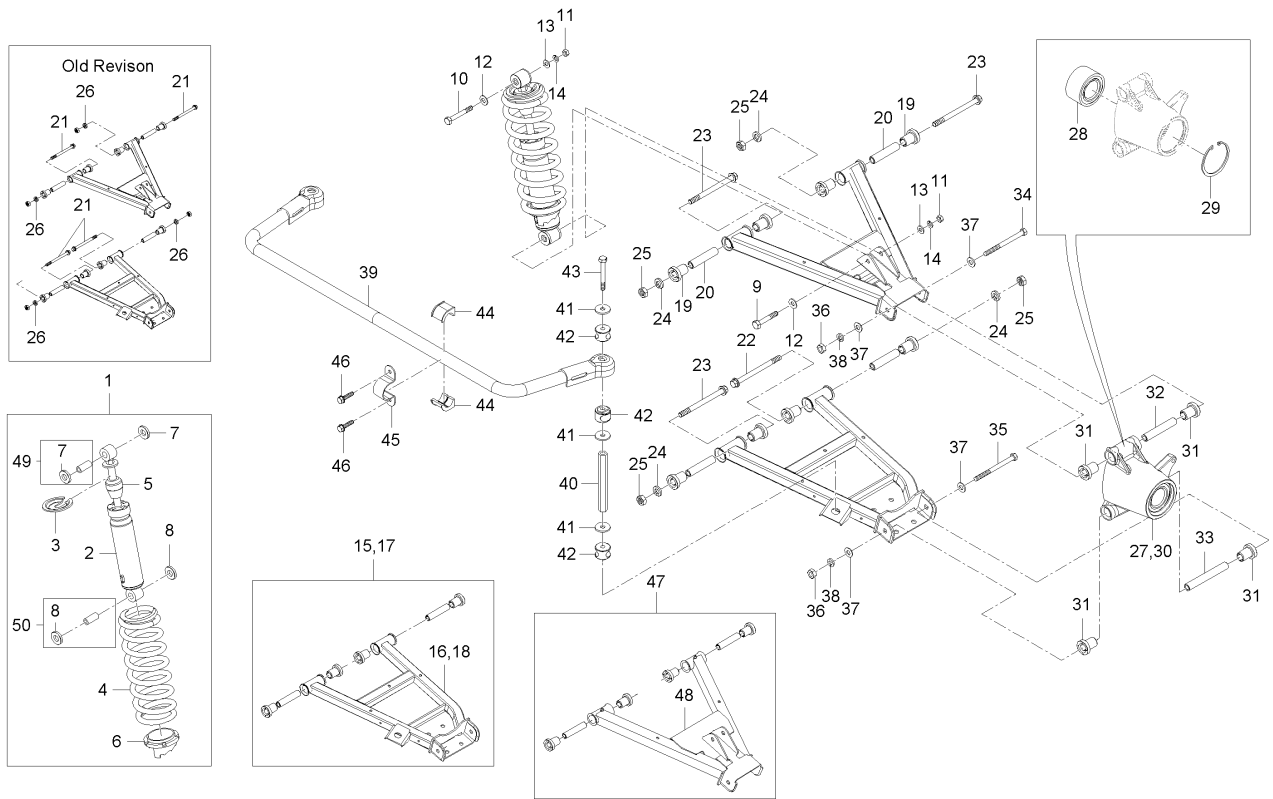
<-O-> Interchangeable with another part(s)

<----- New replace Old

<-----> Interchangeable

U1-U0510A

Rear Suspension Group(STD)



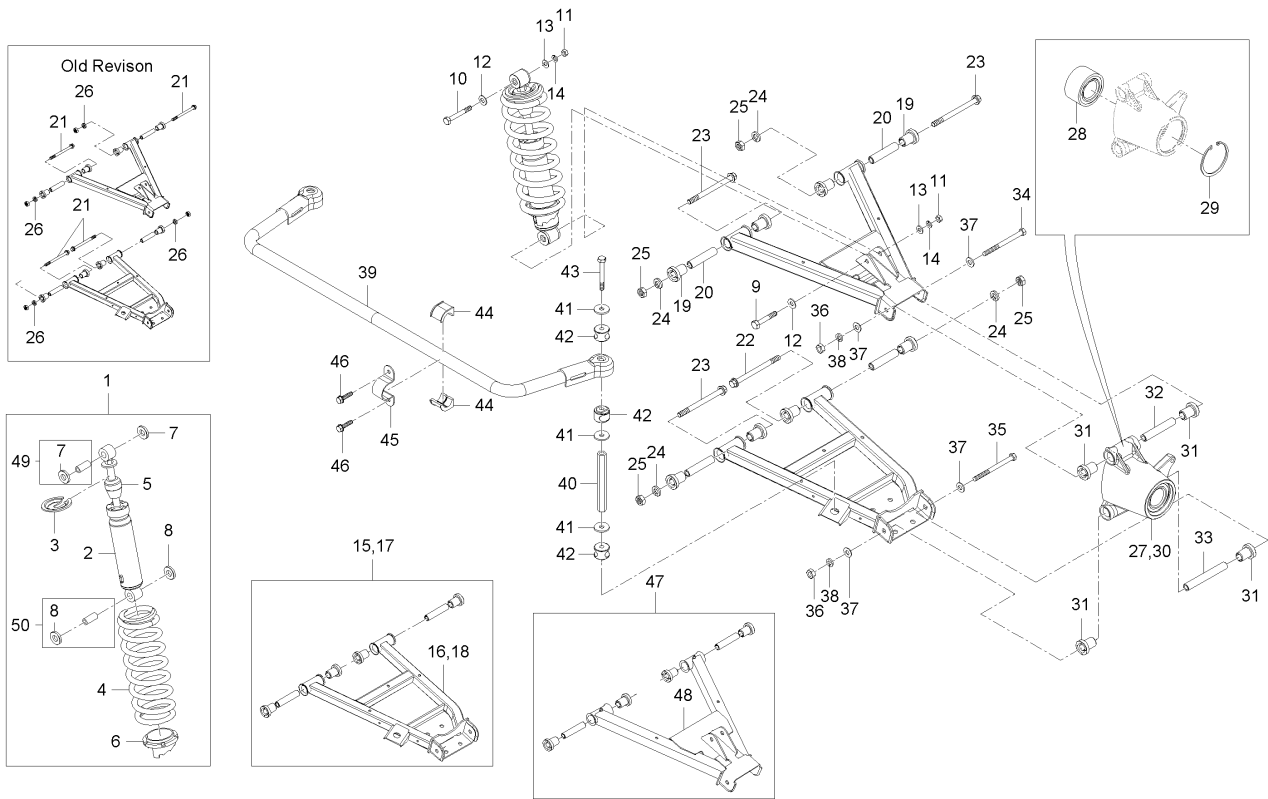
A : MEC2230SW-EU , B : MEC2230SA-EU , C : MEC2230ST-EU

No.	Part Number	Description	Q'TY					I.C	Remark
			A	B	C	D	E		
19	U3215-52202	BUSHING, ARM	4	4	4				
20	U3215-52301	BUSH	2	2	2				
21	U3210-50511	BOLT	8	8	8				
22	U3215-10031	BOLT	2	2	2				
23	U3210-50511	BOLT	6	6	6				
24	04512-50100	WASHER, SPRING	8	8	8			M0	
25	02176-50100	NUT	8	8	8			MOXP1.25	
26	04013-50100	WASHER, PLAIN	8	8	8			M0	
27	U3215-56005	CARRIER ASSY RR LH	1	1	1				
27	U3215-56006	CARRIER ASSY RR LH	1	1	1			<---	
27	U3215-56007	CARRIER ASSY RR LH	1	1	1			<---	
28	U3215-56201	HUB BEARING, RR	1	1	1				
28	U3400-26511	HUB BEARING, RR	1	1	1			<-->	
28	U3217-56201	HUB BEARING, RR	1	1	1			<-O>	
29	04611-00750	SNAP RING	1	1	1				
30	U3215-56505	CARRIER ASSY RR RH	1	1	1				
30	U3215-56506	CARRIER ASSY RR RH	1	1	1			<---	
30	U3215-56507	CARRIER ASSY RR RH	1	1	1			<---	
31	U3215-52202	BUSHING, ARM	4	4	4			<---	

----> Old replace New
 <-X-> Not interchangeable
 <-O> Interchangeable with another part(s)
 <--- New replace Old
 <---> Interchangeable

U1-U0510A

Rear Suspension Group(STD)



A : MEC2230SW-EU , B : MEC2230SA-EU , C : MEC2230ST-EU

No.	Part Number	Description	Q'TY					I.C	Remark
			A	B	C	D	E		
32	U3215-56301	TUBE, CARRIER UPR	1	1	1				
33	U3215-56401	TUBE, CARRIER LOW	1	1	1				
34	U3215-56681	BOLT, UPR ARM MTG TO CARRIER(M10X11	2	2	2				
35	U3215-56672	BOLT, LWR ARM MTG TO CARRIER(M10X13	2	2	2				
36	02176-50100	NUT	6	6	6				M0XP1.25
37	04013-50100	WASHER, PLAIN	8	8	8				M0
38	04512-50100	WASHER, SPRING	4	4	4				M0
39	U3215-57103	BAR-STABILIZER	1	1	1				
40	U3215-57231	STAB BAR LINK	2	2	2				
41	U3215-57211	WASHER, STAB BAR	8	8	8				
42	U3215-57221	BUSH, STAB BAR	8	8	8				
43	01176-51070	BOLT	4	4	4				M0*1.25
44	U3215-57301	BUSHING, STAB BAR MTG.	4	4	4				
45	U3215-57401	CLAMP, STAB BAR MTG.	2	2	2				
46	01125-50820	BOLT, WASHER	4	4	4				M8*P1.25
47	U3210-54002	Arm Assy1-UPR-RR	2	2	2				
48	U3210-54102	Arm Assy-Upr-RR	2	2	2				
49	U3215-53601-S	ASS'Y, UPPER RING	1	1	1				
50	U3215-53701-S	ASS'Y, LOWER RING	1	1	1				

----> Old replace New

<-X-> Not interchangeable

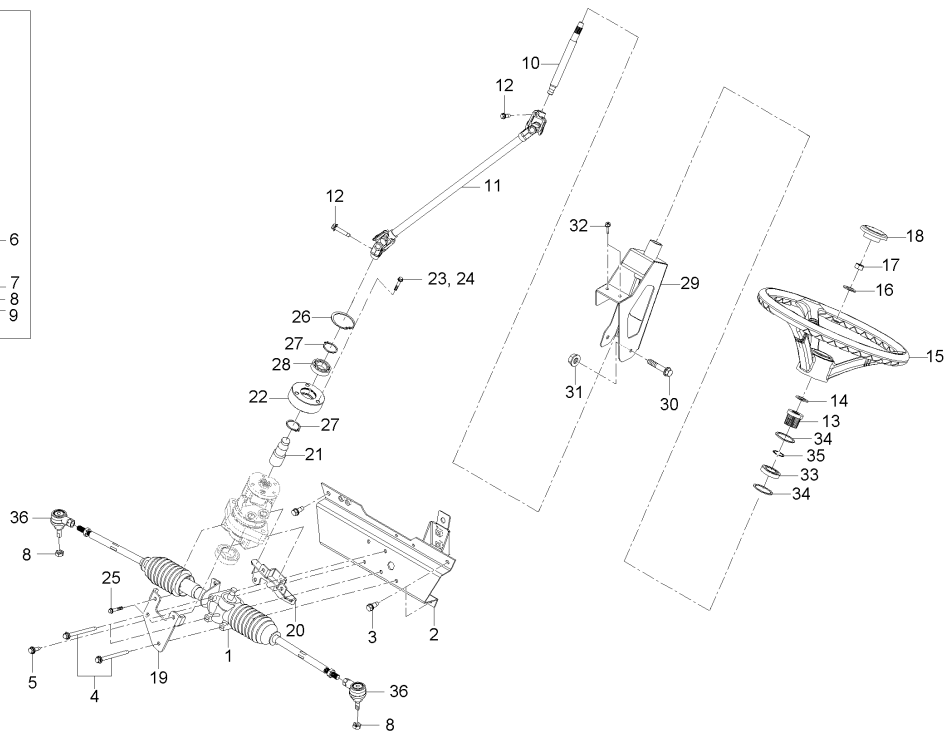
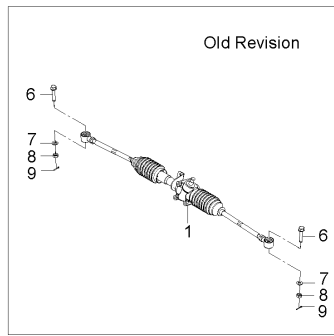
<-O-> Interchangeable with another part(s)

<--- New replace Old

<---> Interchangeable

U1-U0524A

POWER STEERING GROUP,KIOTI



A : MEC2230SW-EU , B : MEC2230SA-EU , C : MEC2230ST-EU

No.	Part Number	Description	Q'TY					I.C	Remark
			A	B	C	D	E		
1	U3215-58005	GEAR BOX ASSY, STEERING	1	1	1				
2	U3210-59123	Brkt - Steering Unit	1	1	1				
3	01135-51020	BOLT, WASHER	4	4	4				M0*1.25
4	01125-50895	BOLT	3	3	3				
5	01125-50820	BOLT, WASHER	4	4	4				M8*P1.25
6	U3215-58151	BOLT, TIE ROD END MTG.(M10X52)	2	2	2				
7	04013-50100	WASHER, PLAIN	2	2	2				M0
8	02372-50100	NUT, SLOTTED	2	2	2				
9	05511-50318	PIN, SPLIT	2	2	2				
10	U3210-59413	A8 FEMALE HALF SHAFT C/W PTO YOKE	1	1	1				
11	U3210-59421	JOINT	1	1	1				
12	01125-50830	BOLT, WASHER	1	1	1				M6*P1.25
13	U3215-59031	CUSHION, RUBBER	1	1	1				
14	04013-50160	WASHER, PLAIN	1	1	1				M6
15	T2350-55454	HANDLE	1	1	1				
16	04512-50120	WASHER, SPRING	1	1	1				M2
17	02176-50120	NUT	1	1	1				M2*1.25
18	T2350-55462	CAP, HANDLE	1	1	1				
19	U3210-59151	STEERING BRKT,FRONT	1	1	1				

----> Old replace New

<-X-> Not interchangeable

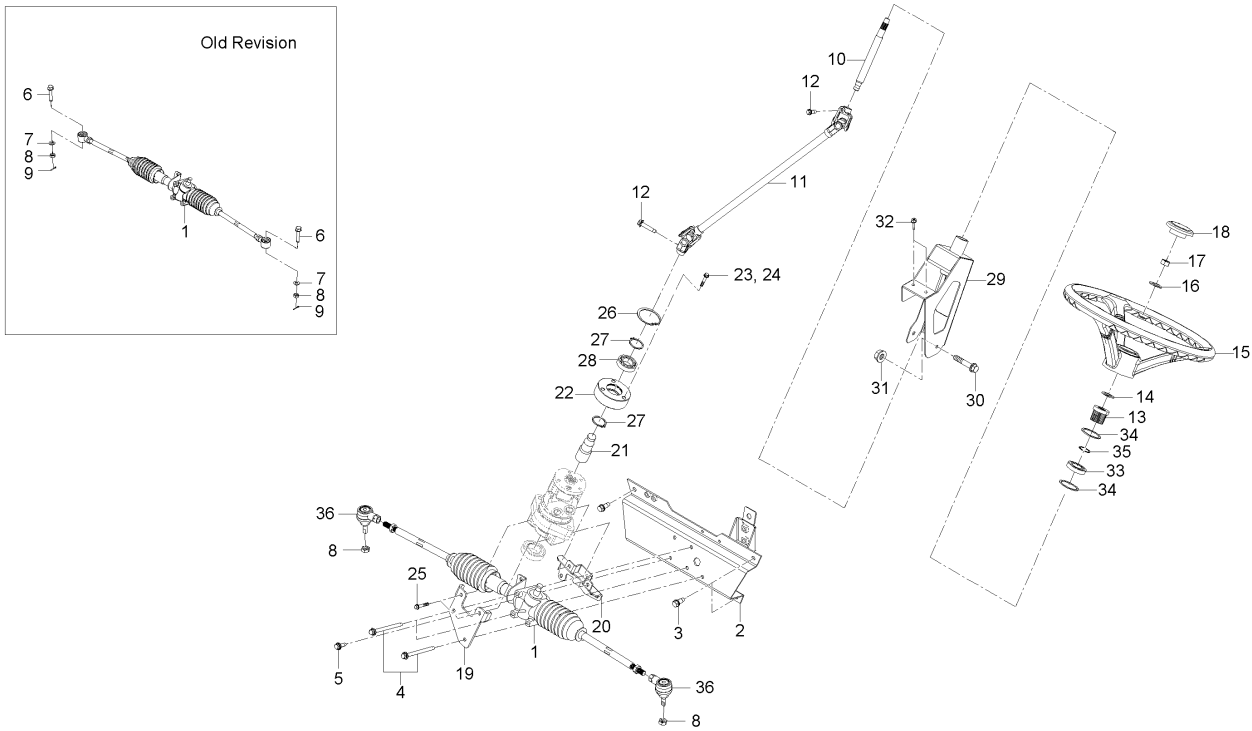
<-O-> Interchangeable with another part(s)

<--- New replace Old

<--- Interchangeable

U1-U0524A

POWER STEERING GROUP, KIOTI



A : MEC2230SW-EU , B : MEC2230SA-EU , C : MEC2230ST-EU

No.	Part Number	Description	Q'TY					I.C	Remark
			A	B	C	D	E		
20	U3210-59162	STEERING BRKT,REAR	1	1	1				
21	U3210-59431	STEERING SHAFT	1	1	1				
22	U3210-59442	Bearing Holder	1	1	1				
23	01023-50616	BOLT, WASHER	2	2	2				M6*P1. 0
24	01125-50840	BOLT, WASHER	3	3	3				
25	01125-50865	BOLT, WASHER	2	2	2				M8 X P1. 25
26	04611-00400	RING, STOPPER	1	1	1				
27	04612-00170	SNAP RING	2	2	2				
28	08141-06203	BALL BEARING	1	1	1				6203DD
29	U3210-26202	STEERING COVER ASSY	1	1	1				
30	01125-51035	BOLT	2	2	2				
31	02783-50100	FLANGE NUT	2	2	2				M0XP1. 25
32	01754-50820	FLANGE BOLT	2	2	2				M8*P1. 25
33	08141-06002	BALL BEARING	1	1	1				#6002DD
34	04611-00320	SNAP RING	2	2	2				
35	04612-00150	SNAP RING	1	1	1				
36	U3215-58252	TIE ROD END ASSY	2	2	2				

----- Old replace New

<-X-> Not interchangeable

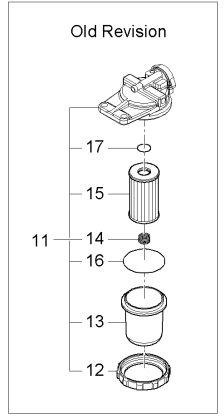
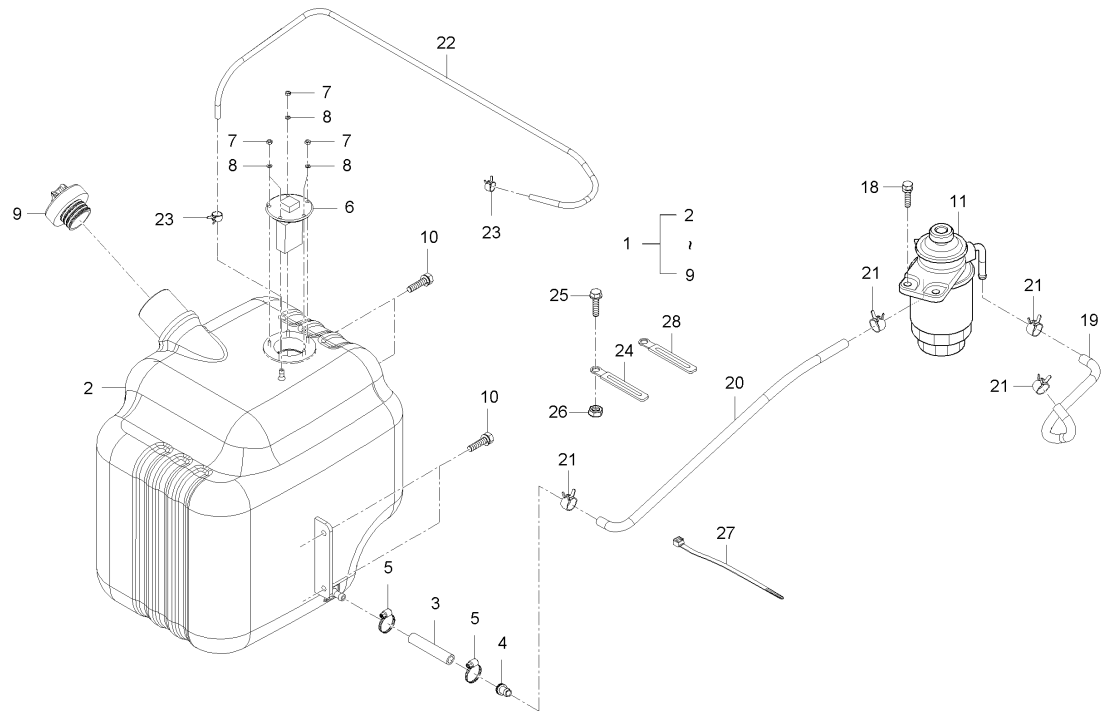
<-O-> Interchangeable with another part(s)

<----- New replace Old

<----- Interchangeable

U1-U0700A

Fuel System Group



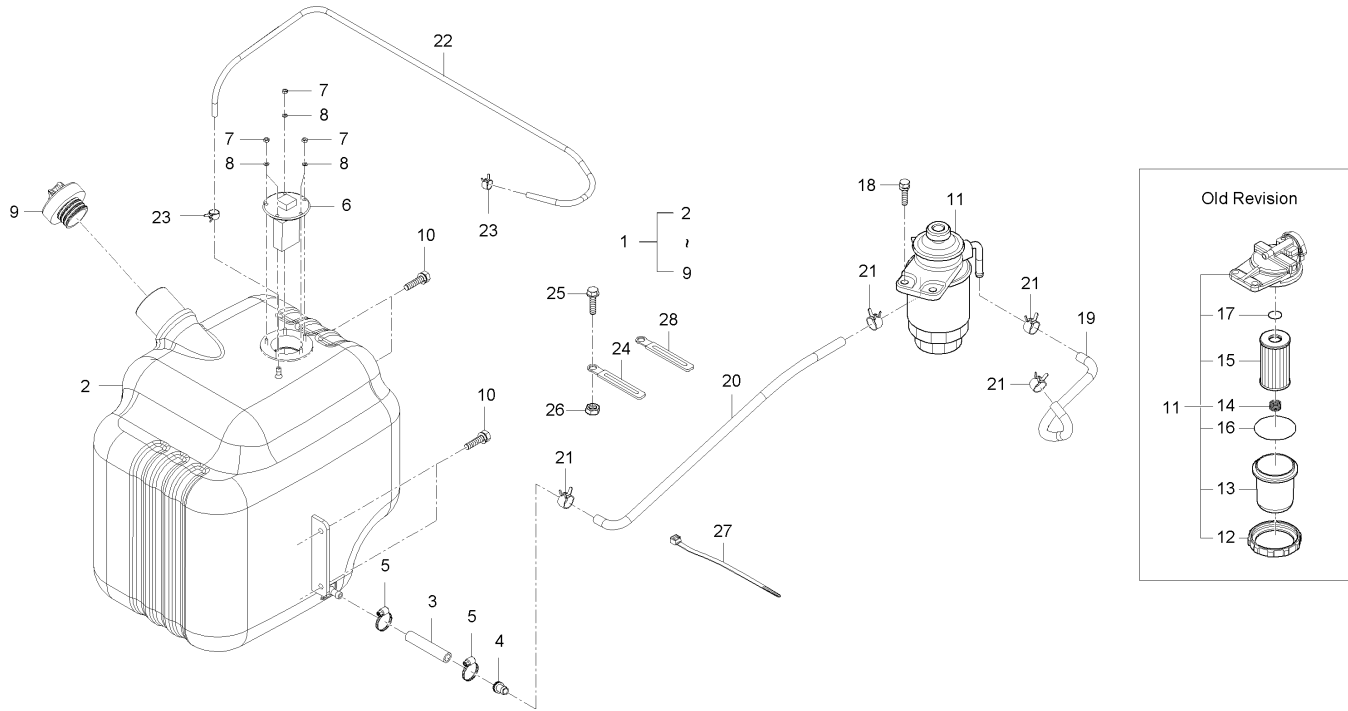
A : MEC2230SW-EU , B : MEC2230SA-EU , C : MEC2230ST-EU

No.	Part Number	Description	Q'TY					I.C	Remark
			A	B	C	D	E		
1	U3210-71011	Fuel Tank Complete	1	1	1				
1	U3210-71012	Fuel Tank Complete	1	1	1			<---	
1	U3210-71013	Fuel Tank Complete	1	1	1			<---	
2	U3215-71101	FUEL TANK ASSY	1	1	1				
2	U3215-71102	FUEL TANK ASS'Y	1	1	1			<---	
2	U3215-71103	FUEL TANK ASS'Y	1	1	1			<---	
3	U3210-71171	HOSE	1	1	1				
4	U3210-71181	Reducer	1	1	1				
5	09318-89035	HOSE CLAMP	2	2	2				
6	U3215-69922	UNIT,FUEL	1	1	1				
7	02054-50040	NUT	5	5	5				M*P0.7
8	04512-50040	WASHER, SPRING	5	5	5				M
9	T2611-54823	ASS'Y, FUEL CAP	1	1	1				
10	01754-50820	FLANGE BOLT	4	4	4				M*P1.25
11	T4682-25732	FUEL FILTER ASSY	1	1	1				
12	84612-4315-1	NUT	1	1	1				
13	T4240-43134	POT, FILTER	1	1	1				
14	84612-4393-0	SPRING	1	1	1				
15	T4682-43172	FILTER, FUEL	1	1	1				

----> Old replace New
 <-X-> Not interchangeable
 <-O> Interchangeable with another part(s)
 <--- New replace Old
 <--- Interchangeable

U1-U0700A

Fuel System Group



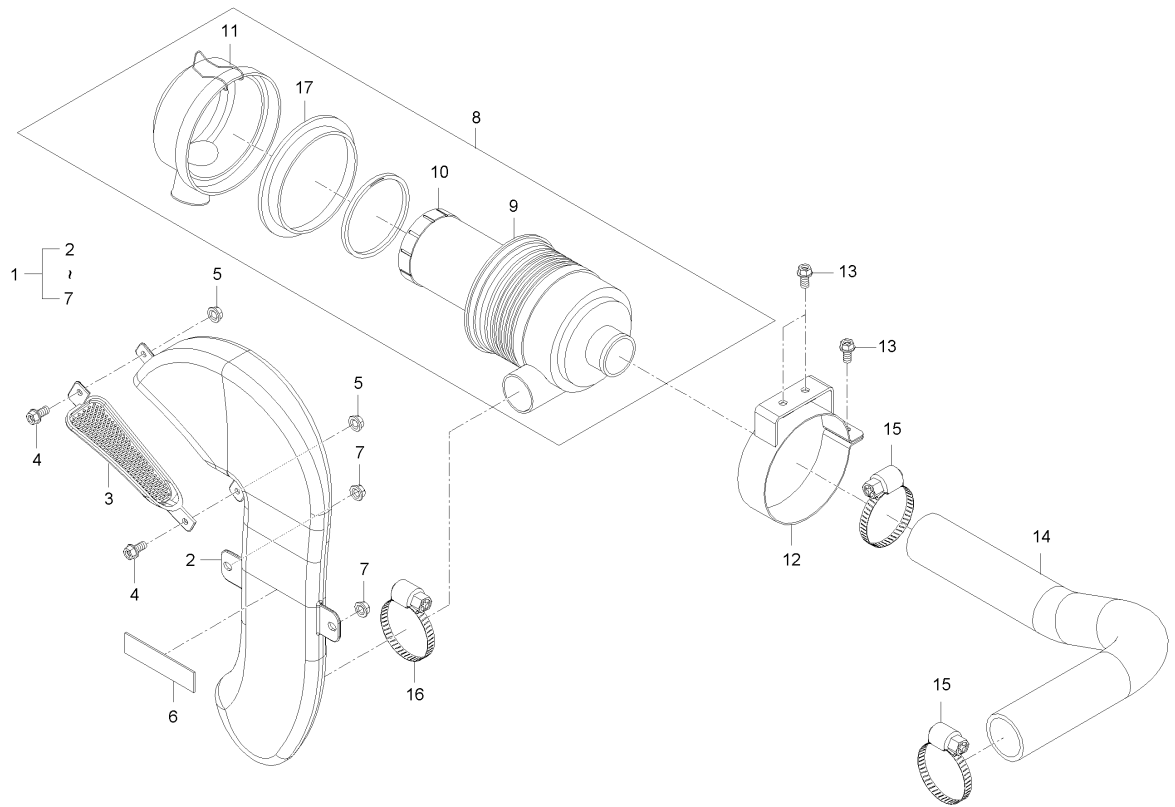
A : MEC2230SW-EU , B : MEC2230SA-EU , C : MEC2230ST-EU

No.	Part Number	Description	Q'TY					I.C	Remark
			A	B	C	D	E		
16	04811-00650	O RING	1	1	1				
17	04811-10290	O RING	1	1	1				
18	01125-50825	BOLT, WASHER	2	2	2			M8*1.25	
19	U3215-71382	HOSE, FUEL	1	1	1				
20	U3215-71392	HOSE, FILTER TO PUMP	1	1	1				
21	14911-4275-1	CLIP, TUBE	4	4	4				
22	U3215-71331	HOSE, FUEL RETURN	1	1	1				
23	09318-88080	CLMAP, HOSE	2	2	2				
24	34150-2939-1	CLAMP, WIRE	1	1	1				
25	01754-50612	BOLT, FLANGE	1	1	1			M6*1.0	
26	02763-50080	FLANGE NUT	4	4	4			M6XP1.25	
27	T2198-82551	BAND,CORD	1	1	1				
28	37150-3447-1	CLAMP,CORD	1	1	1				

<---> Old replace New
 <-X-> Not interchangeable
 <-O-> Interchangeable with another part(s)
 <---> New replace Old
 <---> Interchangeable

U1-U0710A

Intake System Group



A : MEC2230SW-EU , B : MEC2230SA-EU , C : MEC2230ST-EU

No.	Part Number	Description	Q'TY					I.C	Remark
			A	B	C	D	E		
1	U3215-72611	DUCT ASSY-AIR INTAKE	1	1	1				
2	U3215-72622	DUCT, AIR INTAKE	1	1	1				
3	U3215-72641	COVER, DUCT	1	1	1				
4	U3215-81552	Screw (Black)	2	2	2				
5	02761-50060B	FLANGE NUT	2	2	2				
6	U3215-72781	INSULATION-DUCT,FRAME	1	1	1				
7	02763-50080	FLANGE NUT	2	2	2				M&P1. 25
8	T2350-11612	AIR CLEANER ASSY	1	1	1				
9	T2350-11631	BODY, AIR CLEANER	1	1	1				
10	T2350-11641	ELEMENT ASSY	1	1	1				
11	T2350-11651	COVER, AIR CLEANER	1	1	1				
12	U3210-73321	Band Assy - Air Cleaner	1	1	1				
13	01754-50816	BOLT, FLANGE	3	3	3				M&P1. 25
14	U3215-73391	ELBOW HOSE	1	1	1				
15	09318-89058	HOSE CLAMP	2	2	2				
16	09318-87051	HOSE CLAMP	1	1	1				
17	U3210-73171	SEAL,DUST	1	1	1				

----> Old replace New

<-X-> Not interchangeable

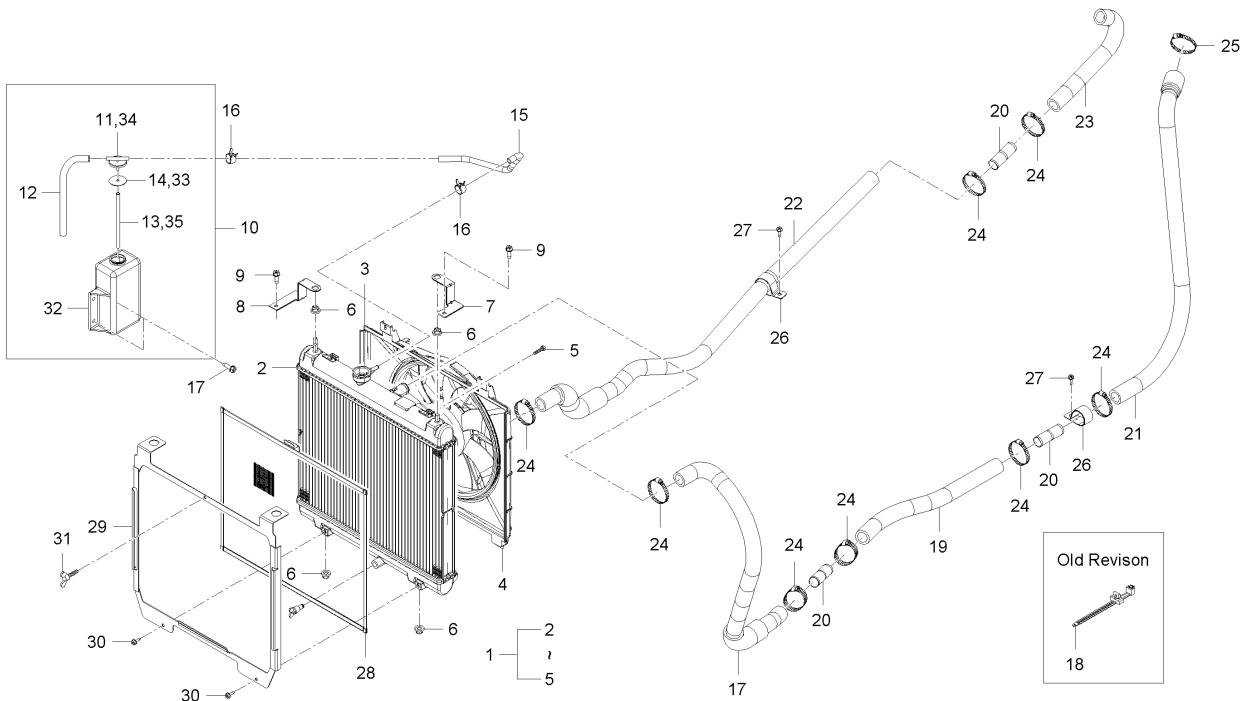
<-O-> Interchangeable with another part(s)

<--- New replace Old

<---> Interchangeable

U1-U0730A

RADIATOR GROUP



A : MEC2230SW-EU , B : MEC2230SA-EU , C : MEC2230ST-EU

No.	Part Number	Description	Q'TY					I.C	Remark
			A	B	C	D	E		
1	U3215-77101	RADIATOR ASSY	1	1	1				
1	U3215-77102	RADIATOR ASSY	1	1	1			<-O>	
2	U3215-77201	RADIATOR	1	1	1				
3	U3215-77401	FAN SHIROUD MOTER ASSY	1	1	1				
4	U3215-77501	Radiator Cap	1	1	1				
5	AA0000191	BOLT	2	2	2				
6	U3215-77701	BUSHING-RADIATOR	4	4	4				
7	U3215-77901	BRACKET, UPPER MOUNTING, LH	1	1	1				
8	U3215-77921	BRACKET, UPPER MOUNTING, RH	1	1	1				
9	01754-50816	BOLT, FLANGE	2	2	2			M8*P1. 25	
10	U3215-77953	RESERVOIR ASSY	1	1	1				
11	15531-7242-2	CAP	1	1	1				
12	E5800-72711	HOSE 1, OVER FLOW	1	1	1				
13	T2350-13601004	HOSE, 1	1	1	1				
14	15532-7243-2	PACKING	1	1	1				
15	T2350-13601006	HOSE, 2	1	1	1				
16	14971-4275-1	CLMAP, HOSE	1	1	1				
17	U3215-78801	INLET, FRONT HOSE ASSY	1	1	1				
18	T2198-82551	BAND,CORD	2	2	2				

----- Old replace New

<-X-> Not interchangeable

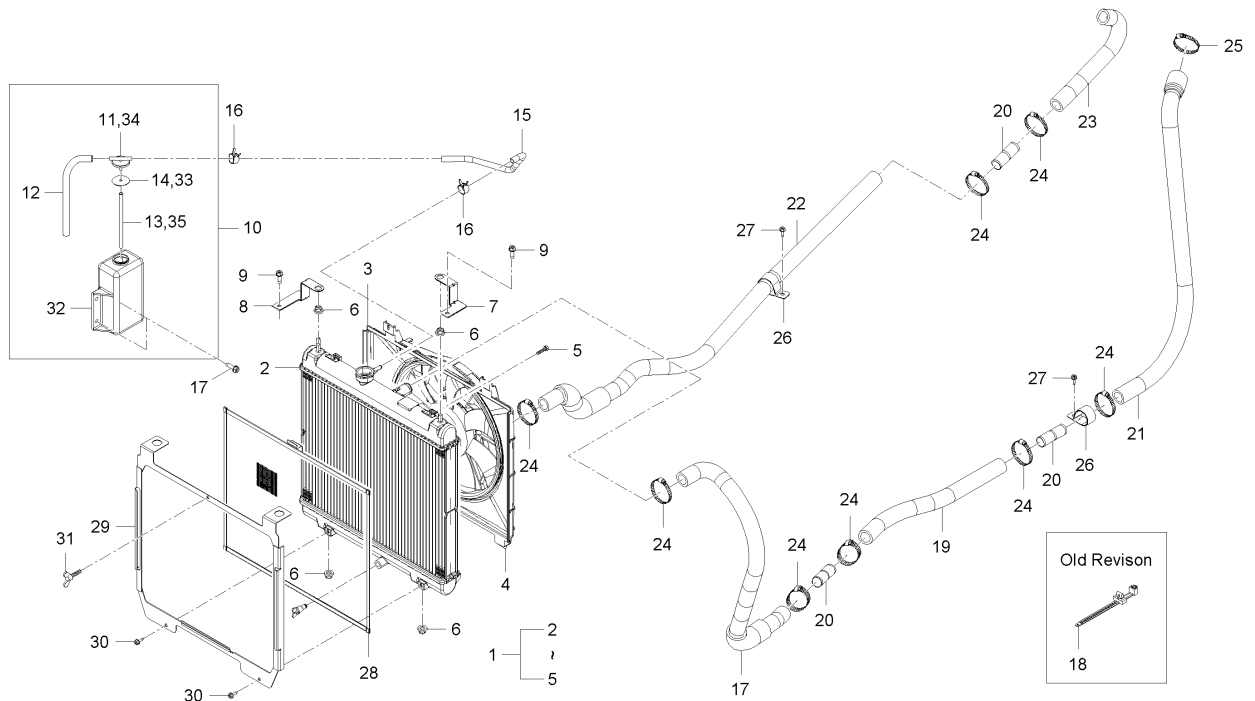
<-O> Interchangeable with another part(s)

<----- New replace Old

<----- Interchangeable

U1-U0730A

RADIATOR GROUP



A : MEC2230SW-EU , B : MEC2230SA-EU , C : MEC2230ST-EU

No.	Part Number	Description	Q'TY					I.C	Remark
			A	B	C	D	E		
19	U3215-78151	HOSE, INLET CTR	1	1	1				
20	U3215-78601	Connector A - Cooling Hose	2	2	2				
21	U3215-78301	HOSE, INLET REAR	1	1	1				
22	U3215-79001	OUTLET FRONT HOSE ASSY	1	1	1				
23	U3215-78501	OUTLET REAR HOSE ASSY	1	1	1				
24	09318-87040	CLMAP, HOSE	9	9	9				
25	09318-87051	HOSE CLAMP	1	1	1				
26	T4686-50963	HOSE CLAMP	2	2	2				
27	01754-50612	BOLT, FLANGE	2	2	2			M6*1.0	
28	U3215-77302	Net-Radiator	1	1	1				
28	U3215-77303	Net-Radiator	1	1	1			<---	
29	U3215-77352	Bracket Assy-Net, Radiator	1	1	1			<---	
30	01205-50616	BOLT, WASHER	2	2	2			M6*P1.0	
31	01811-50610	BOLT, WING	1	1	1				
32	T2350-13611	TANK, WATER	1	1	1				
33	15532-7243-2	PACKING	1	1	1				
34	15531-7242-2	CAP	1	1	1				
35	T2350-13601006	HOSE, 2	1	1	1				

----> Old replace New

<-X-> Not interchangeable

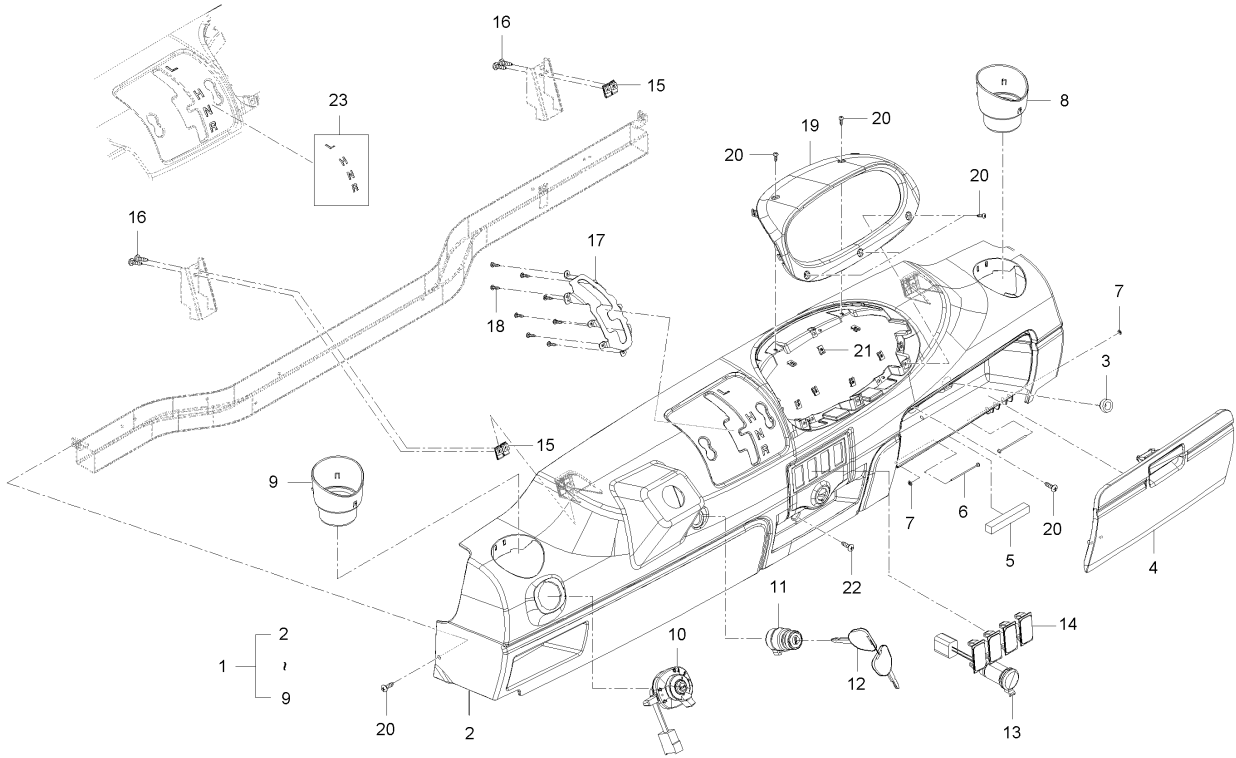
<-O-> Interchangeable with another part(s)

<--- New replace Old

<--- Interchangeable

U1-U0800A

IP GROUP(KIOTI)



A : MEC2230SW-EU , B : MEC2230SA-EU , C : MEC2230ST-EU

No.	Part Number	Description	Q'TY					I.C	Remark
			A	B	C	D	E		
1	U3215-81005	IP Assy	1	1	1				
1	U3215-81006	IP Assy	1	1	1			<---	
2	U3215-81102	MAIN INSTRUMENT PANEL	1	1	1				
2	U3215-81103	MAIN INSTRUMENT PANEL	1	1	1			<---	
3	U3215-91521	GROMMET RUBBER MOUNT	1	1	1				
4	U3215-81303	GLOVE BOX COVER ASSY	1	1	1				
5	U3215-86161	STOPPER.SPONGE	1	1	1				
6	U3215-81361	PIN	2	2	2				
7	U3215-81371	STOPPER, HINGE PIN	2	2	2				
8	U3215-81402	CUP HOLDER.LH	1	1	1				
9	U3215-86182	CUP HOLDER.RH	1	1	1				
10	T2368-69024	ASSY COMBINATION SWITCH	1	1	1				
10	T2368-69025	ASSY COMBINATION SWITCH	1	1	1			<---	
11	T5515-75172	ASSY SWITCH,STARTER	1	1	1			<---	
11	T5520-75171	ASSY SWITCH,STARTER	1	1	1			<---	
12	T4620-75191	KEY	1	1	1			<---	
12	T5520-75191	KEY ASS'Y	1	1	1			<---	
13	T4935-92502	SOKET	1	1	1				
14	T4025-68301	COVER	4	4	4				

----> Old replace New

<-X-> Not interchangeable

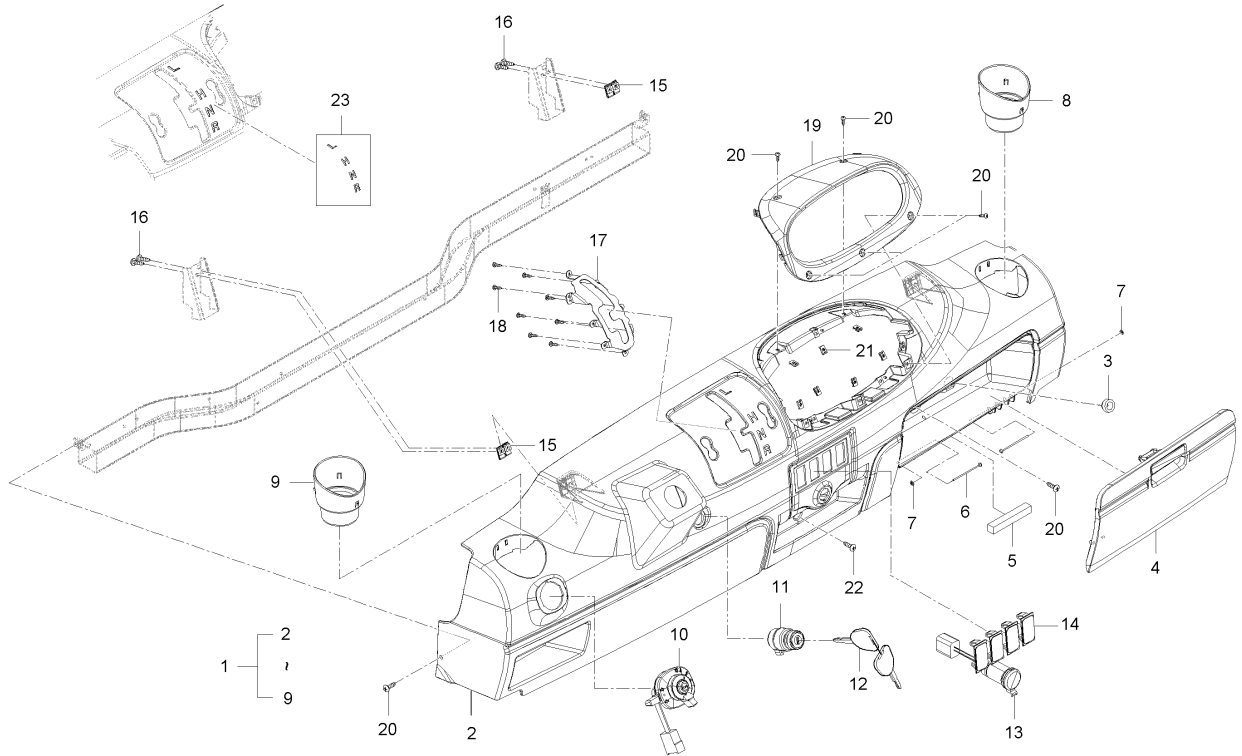
<-O-> Interchangeable with another part(s)

<--- New replace Old

<---> Interchangeable

U1-U0800A

IP GROUP(KIOTI)



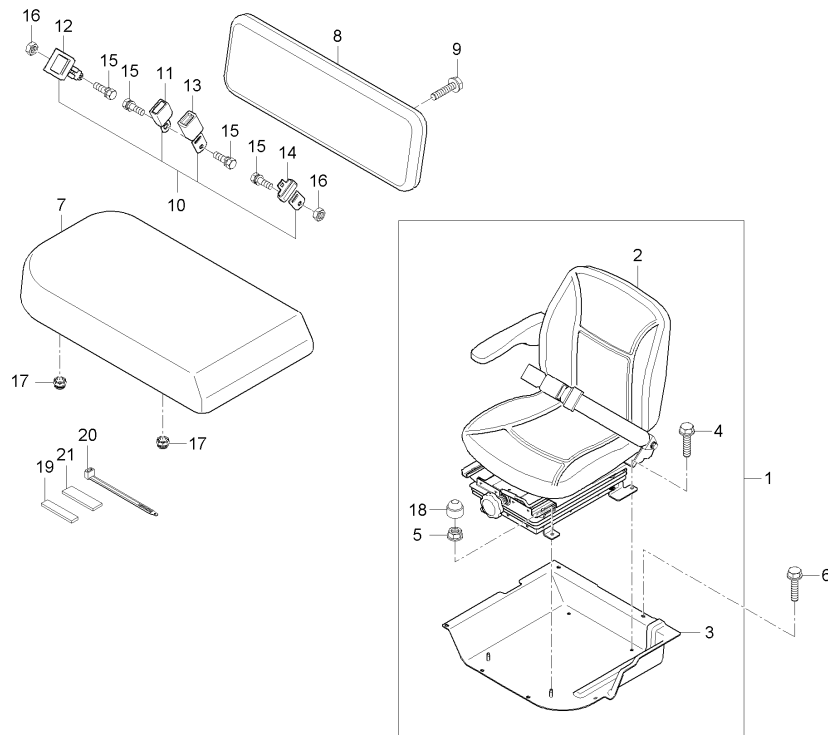
A : MEC2230SW-EU , B : MEC2230SA-EU , C : MEC2230ST-EU

No.	Part Number	Description	Q'TY					I.C	Remark
			A	B	C	D	E		
15	38245-2925-3	NUT,SPRING	4	4	4				
16	U3215-81552	Screw (Black)	8	8	8				
17	U3215-86141	BRKT, LEVER,GEAR SHIFT	1	1	1				
17	U3215-86142	BRKT, LEVER,GEAR SHIFT	1	1	1			<---	
18	U3215-96402	SCREW	8	8	8				
19	U3215-81601	METER CLUSTER BEZEL	1	1	1				
20	U3215-96502	Screw_Meter Cluster(Tapping, Black)	5	5	5				
21	U3215-96151	NUT, SPRING	8	8	8				
22	U3215-81552	Screw (Black)	1	1	1				
23	U3215-81151	LABEL	1	1	1				

----> Old replace New
 <-X-> Not interchangeable
 <-O> Interchangeable with another part(s)
 <--- New replace Old
 <--- Interchangeable

U3-U0811A

Seat Group(With SUS)



A : MEC2230SW-EU , B : MEC2230SA-EU , C : MEC2230ST-EU

No.	Part Number	Description	Q'TY					I.C	Remark
			A	B	C	D	E		
1	U3233-83001	Driver Seat Ass'y(U3-2)	1	1	1				
2	U3233-83101	Suspension Seat Ass'y	1	1	1				
3	U3230-83301	DRIVE SEAT PLATE ASSY	1	1	1				
4	01125-50825B	BOLT	2	2	2				
5	02763-50080B	FLANGE NUT	2	2	2				
6	01125-50825B	BOLT	2	2	2				
7	U3230-84001	SEAT CUSHION, ASS'Y(2PT)	1	1	1				
8	U3230-85001	SEAT BACK ASSY	1	1	1				
9	01754-50816B	FLANGE BOLT	6	6	6				
10	U3230-86001	SAFETY BELT ASS'Y	1	1	1				
11	U3215-86201	BUCKLE	1	1	1				
12	U3215-86211	SAFETY BELT	1	1	1				
13	U3215-86221	BUCKLE, MIDDLE	1	1	1				
14	U3215-86231	SAFETY BELT, MIDDLE	1	1	1				
15	01133-51025B	BOLT	4	4	4				
16	02176-50100B	NUT	4	4	4				
17	U3215-83701	SEAT RUBBER MOUNT	2	2	2				
18	T4815-93211	NUT	2	2	2				
19	C7130-61781	RUBBER	1	1	1				

----> Old replace New

<-X-> Not interchangeable

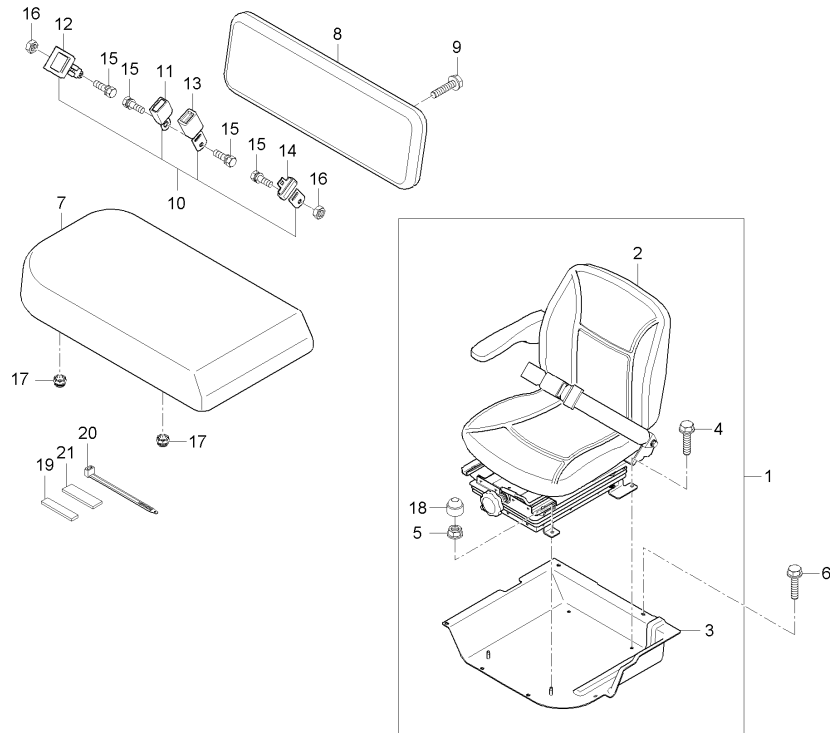
<-O-> Interchangeable with another part(s)

<--- New replace Old

<---> Interchangeable

U3-U0811A

Seat Group(With SUS)



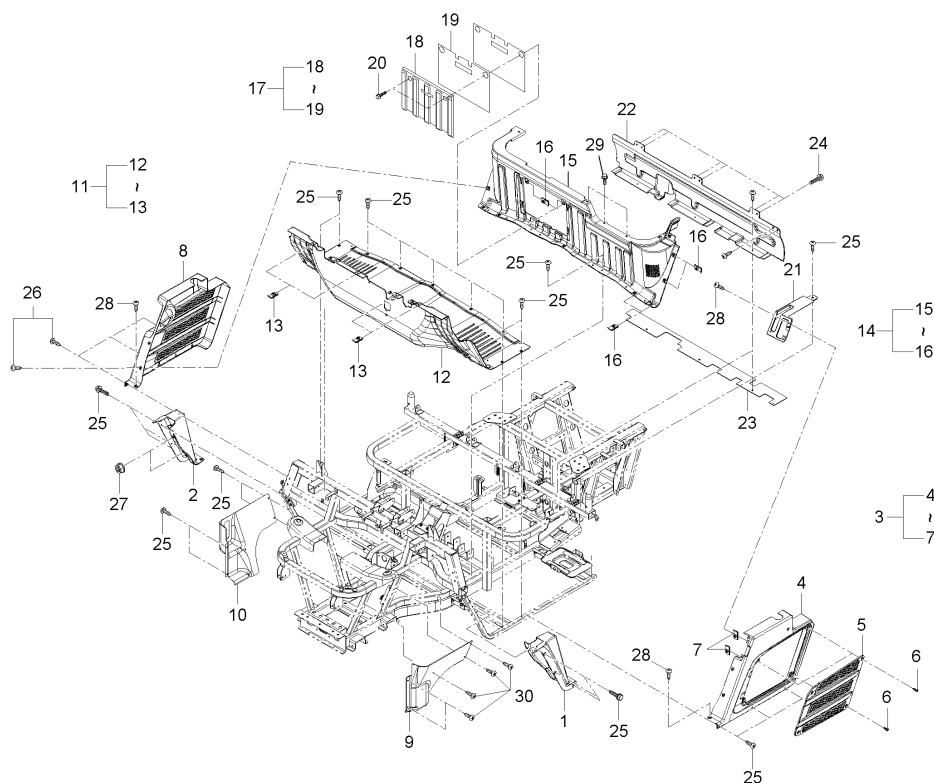
A : MEC2230SW-EU , B : MEC2230SA-EU , C : MEC2230ST-EU

No.	Part Number	Description	Q'TY					I.C	Remark
			A	B	C	D	E		
20	T2198-82551	BAND,CORD	1	1	1				
21	T2380-50272	RUBBER, CUSHION	1	1	1				

----> Old replace New
 <-X-> Not interchangeable
 <-O-> Interchangeable with another part(s)
 <--- New replace Old
 <---> Interchangeable

U3-U0900A

Molding Group(STD)



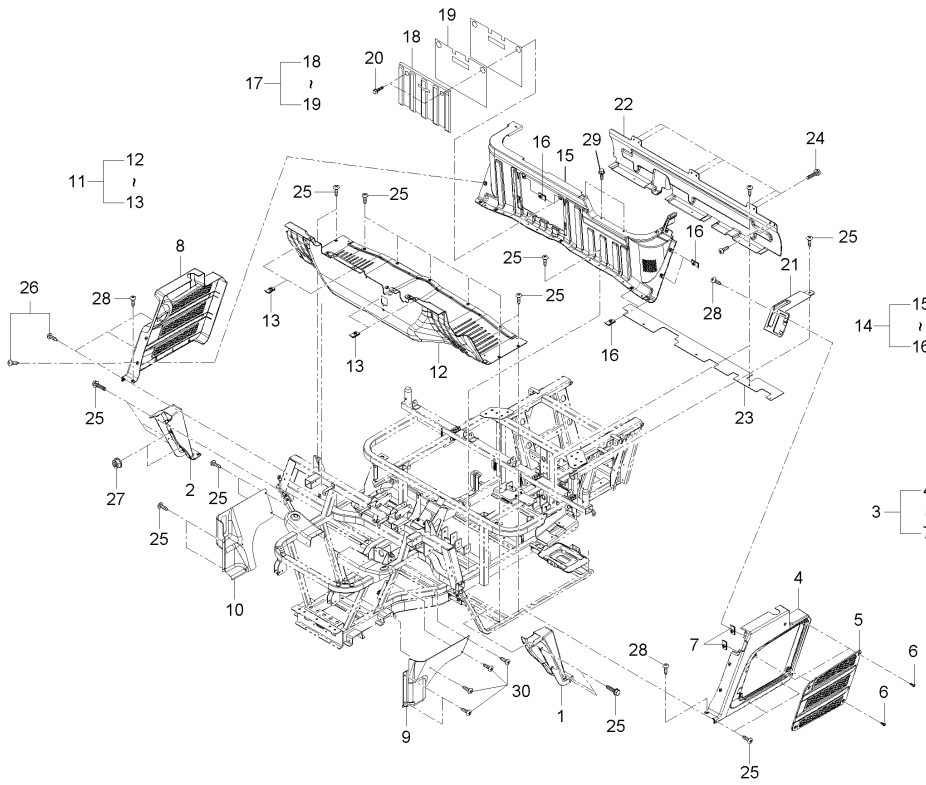
A : MEC2230SW-EU , B : MEC2230SA-EU , C : MEC2230ST-EU

No.	Part Number	Description	Q'TY					I.C	Remark
			A	B	C	D	E		
1	U3215-92101	FENDER FRONT LH	1	1	1				
2	U3215-92201	FENDER FRONT RH	1	1	1				
3	U3215-92304	Fender Middle Outer LH Assy	1	1	1				
4	U3215-92313	FENDER MIDDLE OUTER LH	1	1	1				
5	U3215-92321	BATTERY COVER	1	1	1				
6	U3215-81552	Screw (Black)	4	4	4				
7	38245-2925-3	NUT,SPRING	2	2	2				
8	U3215-92402	FENDER MIDDLE OUTER RH	1	1	1				
8	U3215-92403	FEDER MIDDLE OUTER RH	1	1	1			<---	
9	U3215-92701	PANEL WHEEL WELL LH	1	1	1				
10	U3215-92801	PANEL WHEEL WELL RH	1	1	1				
11	U3215-93001	MAIN FLOOR ASSY FR	1	1	1				
12	U3215-93011	Floor Main Front	1	1	1				
13	38245-2925-3	NUT,SPRING	5	5	5				
14	U3230-93051	FLOOR MAIN REAR ASS'Y	1	1	1				
15	U3230-93061	FLOOR MAIN REAR	1	1	1				
15	U3230-93062	FLOOR MAIN REAR	1	1	1			<---	
16	38245-2925-3	NUT,SPRING	12	12	12				
17	U3215-93402	OIL CHECK COVER ASS'Y	1	1	1				

----> Old replace New
 <-X-> Not interchangeable
 <-O-> Interchangeable with another part(s)
 <---> New replace Old
 <---> Interchangeable

U3-U0900A

Molding Group(STD)



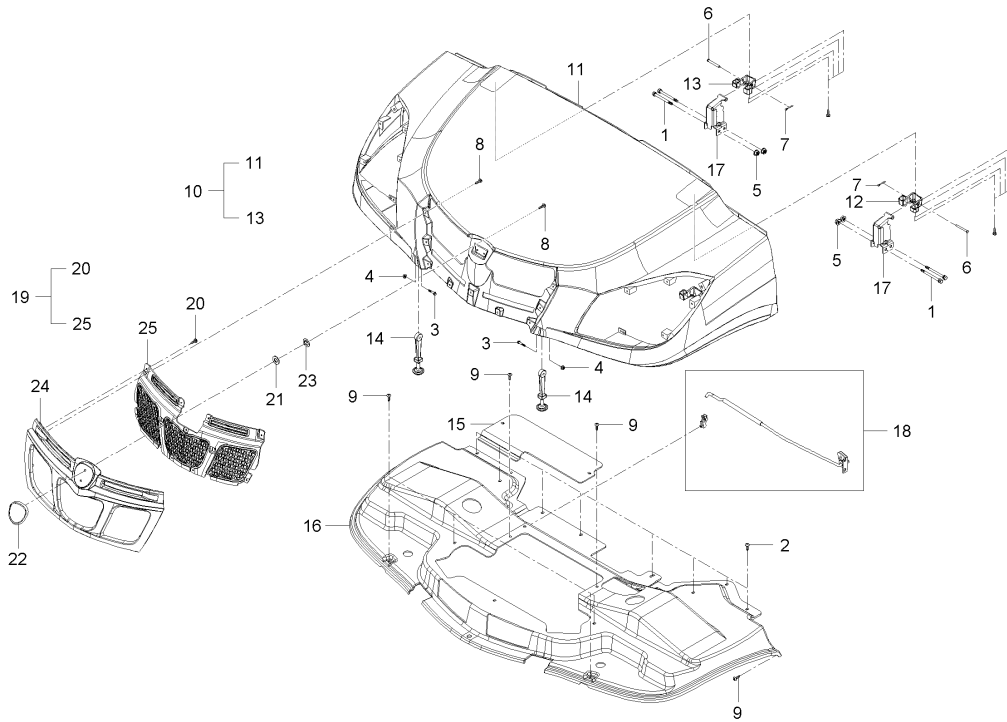
A : MEC2230SW-EU , B : MEC2230SA-EU , C : MEC2230ST-EU

No.	Part Number	Description	Q'TY					I.C	Remark
			A	B	C	D	E		
18	U3215-93411	Oil Check Cover	1	1	1				
19	U3215-93421	Foil, Heat Shield	1	1	1				
20	53415-4128-1	BOLT	2	2	2				
21	U3215-93511	COVAR, PARKING LEVER	1	1	1				
22	U3215-83653	Cover - Seat Back, RR	1	1	1				
23	U3210-27661	SEAT BACK PLATE	1	1	1				
23	U3210-27662	SEAT BACK PLATE	1	1	1			<---	
24	01754-50816	BOLT, FLANGE	4	4	4				M8*P1.25
25	U3215-81552	Screw (Black)	24	24	24				
26	U3215-81552	Screw (Black)	2	2	2				
27	02761-50060B	FLANGE NUT	6	6	6				
28	U3215-81561	SCREW	5	5	5				
29	01754-50865B	FLANGE BOLT	3	3	3				
30	U3215-81552	Screw (Black)	36	36	36				

<---> Old replace New
 <-X-> Not interchangeable
 <-O-> Interchangeable with another part(s)
 <---> New replace Old
 <---> Interchangeable

U3450-G920A

HOOD GROUP



A : MEC2230SW-EU , B : MEC2230SA-EU , C : MEC2230ST-EU

No.	Part Number	Description	Q'TY					I.C	Remark
			A	B	C	D	E		
1	01125-50870	BOLT	4	4	4				
2	01754-50616B	FLANGE BOLT	6	6	6				
3	01754-50625	BOLT, FLANGE	2	2	2			7T	
4	02761-50060	FLANGE NUT	2	2	2			M&XP1.0	
5	02763-50080	FLANGE NUT	4	4	4			M&XP1.25	
6	05122-50650	JOINT PIN	2	2	2				
7	05511-50210	PIN, SPLIT	2	2	2				
8	38240-1883-1	SCREW	10	10	10				
9	U3215-81552	Screw (Black)	12	12	12				
10	U3215-91003	Hood Assy(ORANGE)	1	1	1				
11	U3215-91102	HOOD	1	1	1				
12	U3215-91202	Hood Hinge LH Assy	1	1	1				
13	U3215-91902	Hood Hinge RH Assy	1	1	1				
14	U3215-91301	STRAP,HOOD LATCH	2	2	2				
15	U3215-91351	COVER, HOOD LINER	1	1	1				
15	U3215-91352	Cover-Hood liner	1	1	1			<---	
16	U3215-91512	HOOD LINER	1	1	1				
16	U3215-91513	HOOD LINER	1	1	1			<---	
17	U3215-91852	HOOD HINGE BRKT	2	2	2				

----> Old replace New

<-X-> Not interchangeable

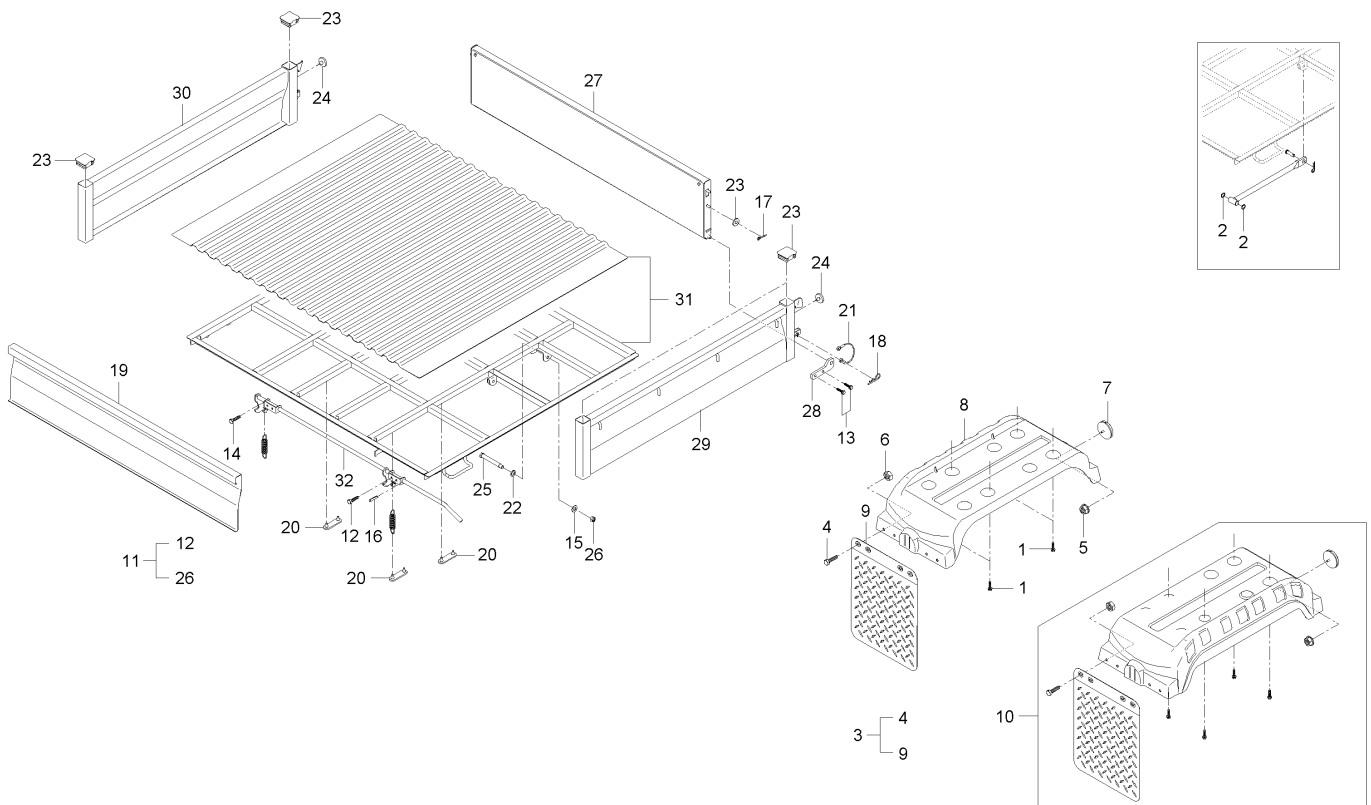
<-O-> Interchangeable with another part(s)

<--- New replace Old

<--- Interchangeable

U3401-G930A

DECK GROUP-STANDARD BLACK



A : MEC2230SW-EU , B : MEC2230SA-EU , C : MEC2230ST-EU

No.	Part Number	Description	Q'TY					I.C	Remark
			A	B	C	D	E		
1	01754-50616	BOLT, FLANGE	8	8	8				M6*P1.0
2	04811-00120	O RING	2	2	2				
3	U3210-99904	Fender Rear Assy(RH)	1	1	1				
3	U3210-99905	Fender Rear Assy(RH)	1	1	1			<---	
3	U3210-99906	Fender Rear Assy(RH)	1	1	1			<---	
4	01754-50616B	FLANGE BOLT	4	4	4				
5	02761-50050	FLANGE NUT	1	1	1				M5XPO.8
6	02761-50060B	FLANGE NUT	4	4	4				
7	T4144-85721	ASS'Y REFLECTOR	1	1	1				
8	U3210-99913	Fender Rear	1	1	1				
9	U3210-99952	MUD GUARD	1	1	1				
9	U3210-99953	FENDER	1	1	1			<---	
10	U3210-99974	Fender Rear Assy(LH)	1	1	1				
10	U3210-99975	Fender Rear Assy(LH)	1	1	1			<---	
10	U3210-99976	Fender Rear Assy(LH)	1	1	1			<---	
11	U3401-93004	DECK ASS'Y	1	1	1				
11	U3401-93006	DECK ASS'Y	1	1	1			<---	
12	01025-50614	BOLT, WASHER	4	4	4				M6*P1.0
13	01123-50825B	BOLT	4	4	4				

----> Old replace New

<-X-> Not interchangeable

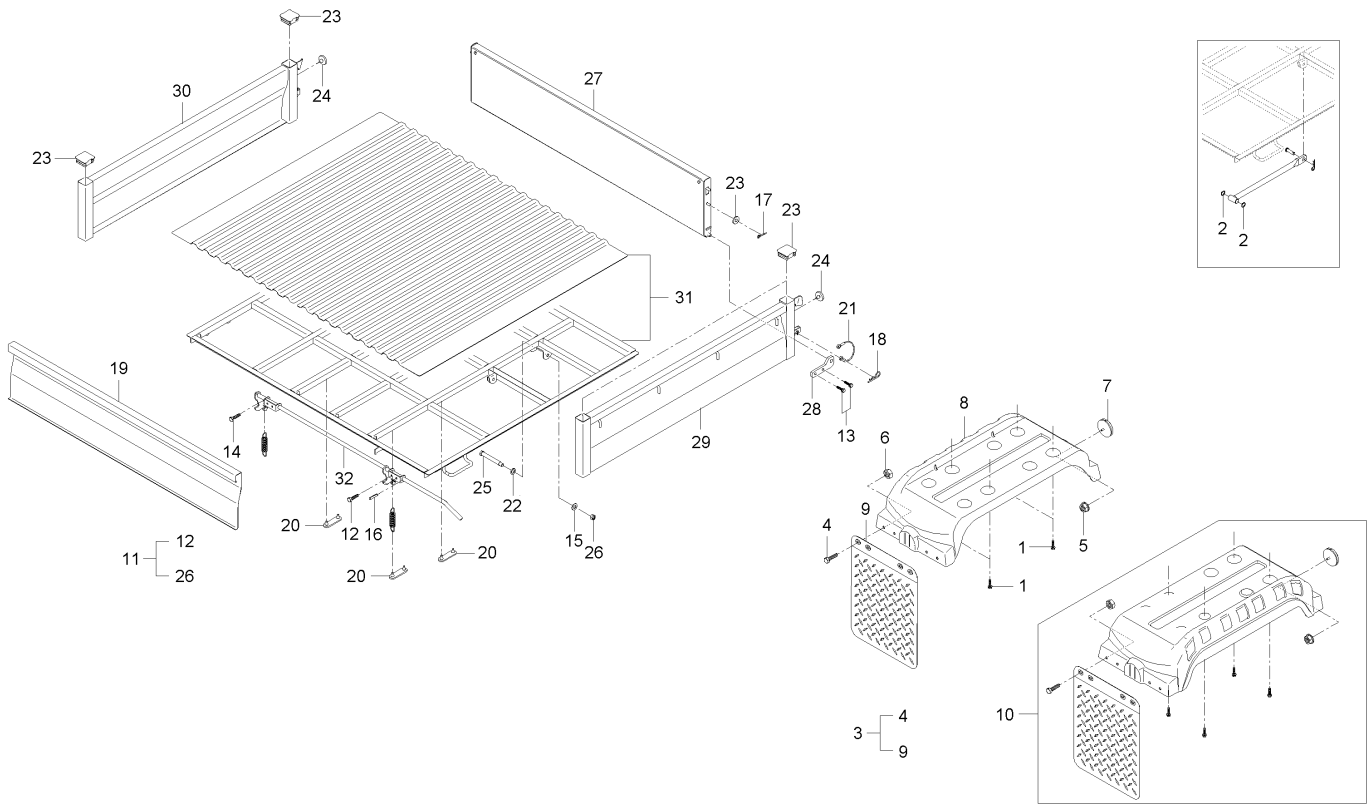
<-O-> Interchangeable with another part(s)

<--- New replace Old

<--- Interchangeable

U3401-G930A

DECK GROUP-STANDARD BLACK



A : MEC2230SW-EU , B : MEC2230SA-EU , C : MEC2230ST-EU

No.	Part Number	Description	Q'TY					I.C	Remark
			A	B	C	D	E		
14	03054-50612	BOLT	1	1	1				M6XP1.0
15	04013-50120	WASHER, PLAIN	2	2	2				M2
16	05411-00525	PIN, SPRING	1	1	1				∅ A5*25
17	05511-50218	PIN, SPLIT	2	2	2				∅ A2*18
18	05525-50800	PIN, SNAP	2	2	2				
19	U3210-98303	Deck Front Wall Panel	1	1	1				
20	U3210-99251	Deck Under Bumper	6	6	6				
21	U3210-99733	STOP ROPE	2	2	2				
21	U3210-99734	STOP ROPE	2	2	2			<---	
22	U3210-99751	REAMER BOLT WASHER	2	2	2				
23	U3210-99793	DECK POLE COVER	4	4	4				
24	U3210-99811	BUMPER	2	2	2				
25	U3210-99831	REAMER BOLT, FLANGE	2	2	2				
26	U3210-99851	U-NUT	2	2	2				
27	U3219-99304	Tailgate Assy(BLACK)	1	1	1				
28	U3219-99721	BRACKET	2	2	2				
29	U3400-93011	DECK SIDE WALL ASS'Y LH	1	1	1				
30	U3400-93021	DECK SIDE WALL ASSY RH	1	1	1				
31	U3400-93054	DECK BED TOTAL ASS'Y	1	1	1				

----- ∅ d replace New

<-X-> Not interchangeable

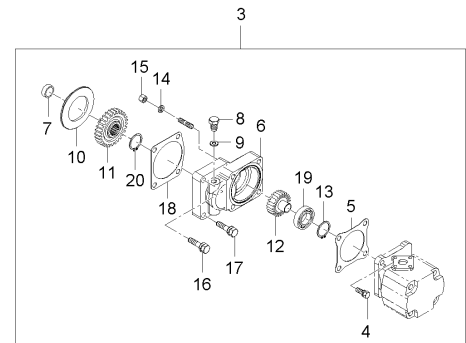
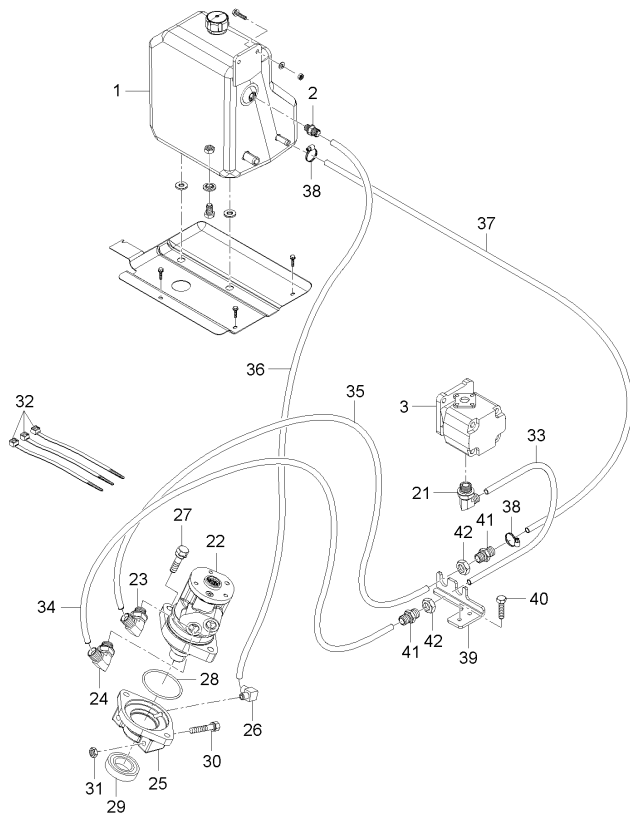
<-O-> Interchangeable with another part(s)

<--- New replace ∅ d

<--- Interchangeable

U1-U0947A

PS HYD. SYSTEM GROUP,DEADONG



A : MEC2230SW-EU , B : MEC2230SA-EU , C : MEC2230ST-EU

No.	Part Number	Description	Q'TY					I.C	Remark
			A	B	C	D	E		
1	U3215-31155	Oil Tank Assy - Hyd.	1	1	1				
1	U3215-31156	Oil Tank Assy - Hyd.	1	1	1			<---	
2	U3210-34041	CONNECTOR	1	1	1				
3	U3215-33301	HYDRAULIC PUMP ASSY	1	1	1				
4	01123-50822	BOLT	2	2	2				M8XP1.25
5	T2380-87132	GASKET	1	1	1				
6	T2368-76001	HOLDER,HYD. PUMP	1	1	1				
7	T2350-76041	SPACER, GEAR PUMP	1	1	1				
8	06331-35010	PLUG	2	2	2				M6*P1.0
9	04714-00100	PACKING	2	2	2				
10	E5205-36481	BUSH	1	1	1				
11	T2350-76021	GEAR, 29 PUMP	1	1	1				
12	T2350-76031	SHAFT, GEAR 18 GEAR PUMP	1	1	1				
13	04612-00190	SNAP RING	1	1	1				
14	04512-50080	SPRING WASHER	1	1	1				M08
15	02156-50080	NUT	1	1	1				M8XP1.25
16	01123-50822	BOLT	1	1	1				M8XP1.25
17	01123-50835	BOLT, WASHER	2	2	2				M8X1.25
18	E5760-36332	GASKET, FUEL CAMSHAFT COVER	1	1	1				

----> Old replace New

<-X-> Not interchangeable

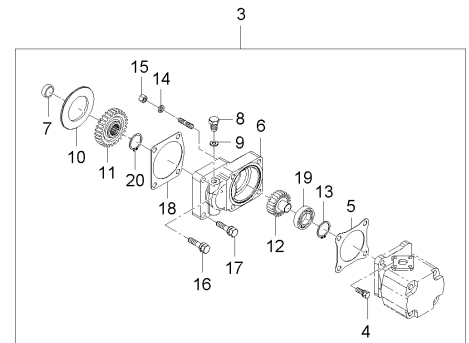
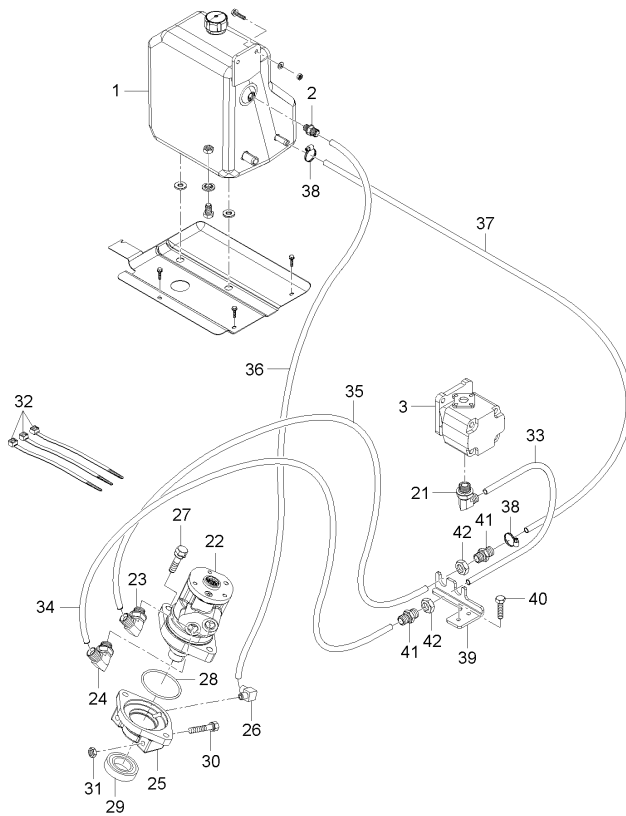
<-O-> Interchangeable with another part(s)

<--- New replace Old

<--- Interchangeable

U1-U0947A

PS HYD. SYSTEM GROUP,DEADONG



A : MEC2230SW-EU , B : MEC2230SA-EU , C : MEC2230ST-EU

No.	Part Number	Description	Q'TY					I.C	Remark
			A	B	C	D	E		
19	08241-05204	BALL BEARING	1	1	1				
20	04612-00200	RING, SNAP	1	1	1				DI A20
21	T4850-45161	ELBOW	1	1	1				
22	U3210-34011	TORQUE GENERATOR	1	1	1				
23	U3210-34061	ELBOW	1	1	1				
24	T4850-45161	ELBOW	1	1	1				
25	U3210-34021	CASE,MIDDLE	1	1	1				
26	U3210-34031	ELBOW	1	1	1				
27	01125-51035	BOLT	2	2	2				
28	04811-10800	O RING	1	1	1				
29	09500-35528	SEAL, OIL	1	1	1				TC35*52*8
30	01025-50618	BOLT	2	2	2				M6*P1.0
31	02176-50100	NUT	1	1	1				M0XP1.25
32	T2198-82561	BAND, CORD	5	5	5				
33	U3210-34111	HOSE P,HYD	1	1	1				
34	U3210-34121	HOSE P1,HYD	1	1	1				
35	U3210-34131	HOSE C1,HYD	1	1	1				
36	U3210-34141	HOSE ASS'Y T	1	1	1				
37	U3210-34161	HOSE, RETURN	1	1	1				

----> Q d repl ace New

<- X-> Nbt i nterchangeabl e

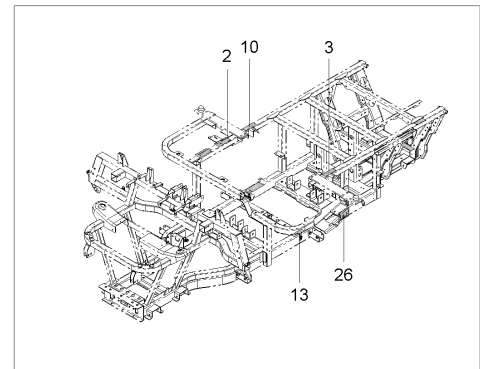
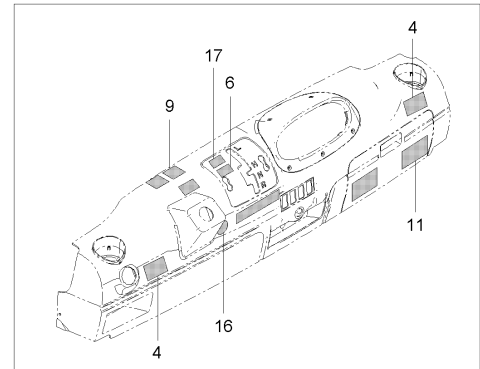
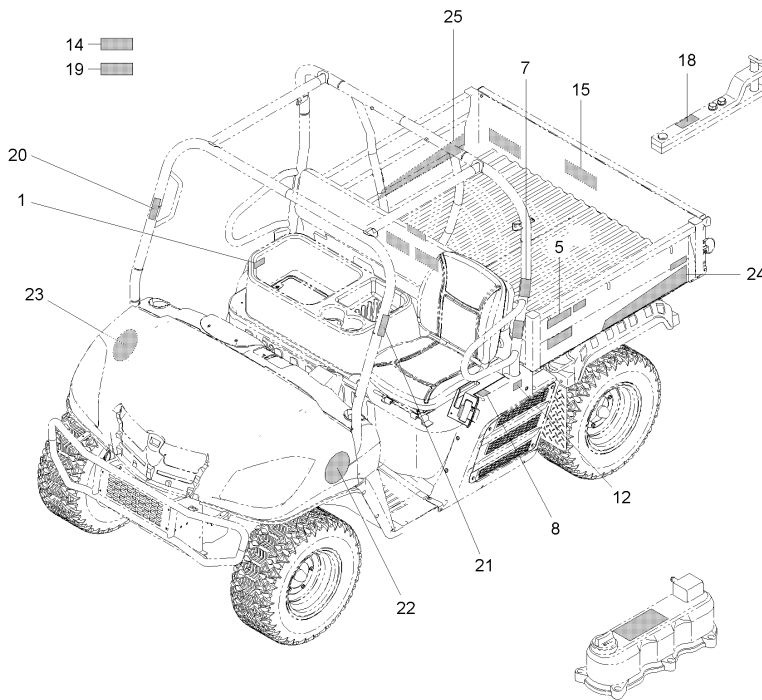
<- O-> Interchangeabl e w ith another part(s)

<- - - - New repl ace Q d

<- - - - I nterchangeabl e

U3430-G980A

LABEL GROUP



A : MEC2230SW-EU , B : MEC2230SA-EU , C : MEC2230ST-EU

No.	Part Number	Description	Q'TY					I.C	Remark
			A	B	C	D	E		
1	T2615-54112	LABEL, CAUTION	1	1	1				
2	T4625-52351	LABEL, FAN WARNING	1	1	1				
3	T4625-52361	LABEL, MUFFLER	1	1	1				
4	U3215-85011	LABEL, SEAT BELT	1	1	1				
5	U3215-85021	LABEL, DECK MACHINE RUNAWAY	1	1	1				
6	U3215-85032	LABEL, DECK BED	1	1	1				
7	U3215-85041	LABEL, ROPS	1	1	1				
8	U3215-85051	LABEL, HOOD	1	1	1				
9	U3215-85061	LABEL, MISSION	1	1	1				
10	U3215-85071	LABEL, SAFETY	1	1	1				
11	U3215-85081	LABEL, SAFE OPERATION	1	1	1				
12	U3215-85101	LABEL, LATCH	1	1	1				
13	U3215-85121	LABEL, BATTERY CABLE	1	1	1				
14	U3215-85132	LABEL	1	1	1				
15	U3215-85421	DECAL(DECK RR)	1	1	1				
16	U3215-85501	LABEL, KEY SWITCH	1	1	1				
17	U3215-85861	LABEL	1	1	1				
17	U3215-85862	LABEL	1	1	1			<---	
18	U3230-85092	LABEL, SWING DRAWBAR	1	1	1				

----> Old replace New

<-X-> Not interchangeable

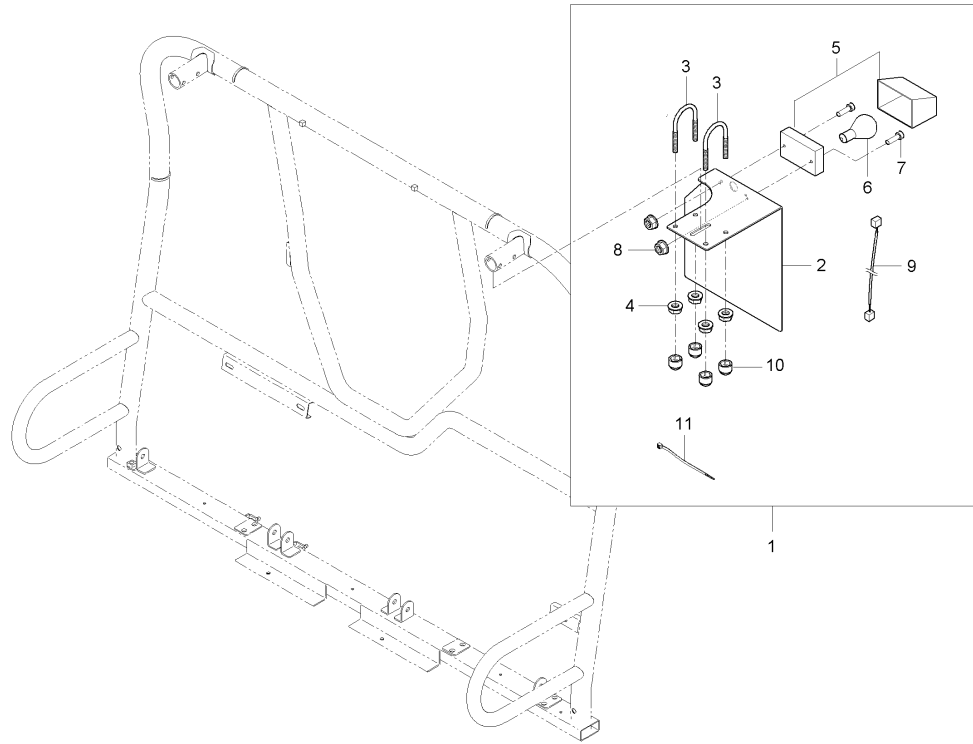
<-O-> Interchangeable with another part(s)

<--- New replace Old

<---> Interchangeable

U1-U1680A

NUMBER PLATE GROUP (STD)



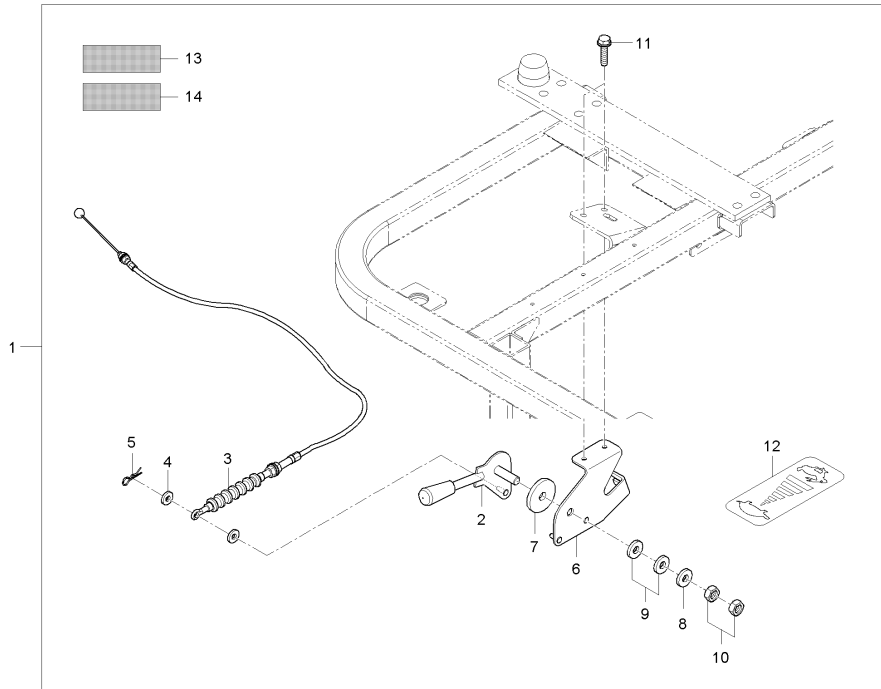
A : MEC2230SW-EU , B : MEC2230SA-EU , C : MEC2230ST-EU

No.	Part Number	Description	Q'TY					I.C	Remark
			A	B	C	D	E		
1	U3210-91152	ASSY, NUMBER PLATE	1	1	1				
2	U3210-91162	NUMBER BOARD SUPPORT PLATE	1	1	1				
3	U3215-97782	Bolt - U Type (M8)	2	2	2				
4	02763-50080B	FLANGE NUT	4	4	4				
5	T2611-75712	LICENSE PLATE LAMP ASSY	1	1	1				
6	T2611-79021	BULB,LIGHT(27W)	1	1	1				
7	03024-50414B	BOLT,SCREW	2	2	2				
8	02761-50040B	FLANGE NUT	2	2	2				
9	U3215-60191	WIRE HARNESS,PLATE LAMP	1	1	1				
10	T4815-93211	NUT	4	4	4				
11	T2185-82561	BAND,CORD	5	5	5				

----> Old replace New
 <-X-> Not interchangeable
 <-O> Interchangeable with another part(s)
 <--- New replace Old
 <---> Interchangeable

U1-U3950A

HAND THROTTLE GROUP-OPT



A : MEC2230SW-EU , B : MEC2230SA-EU , C : MEC2230ST-EU

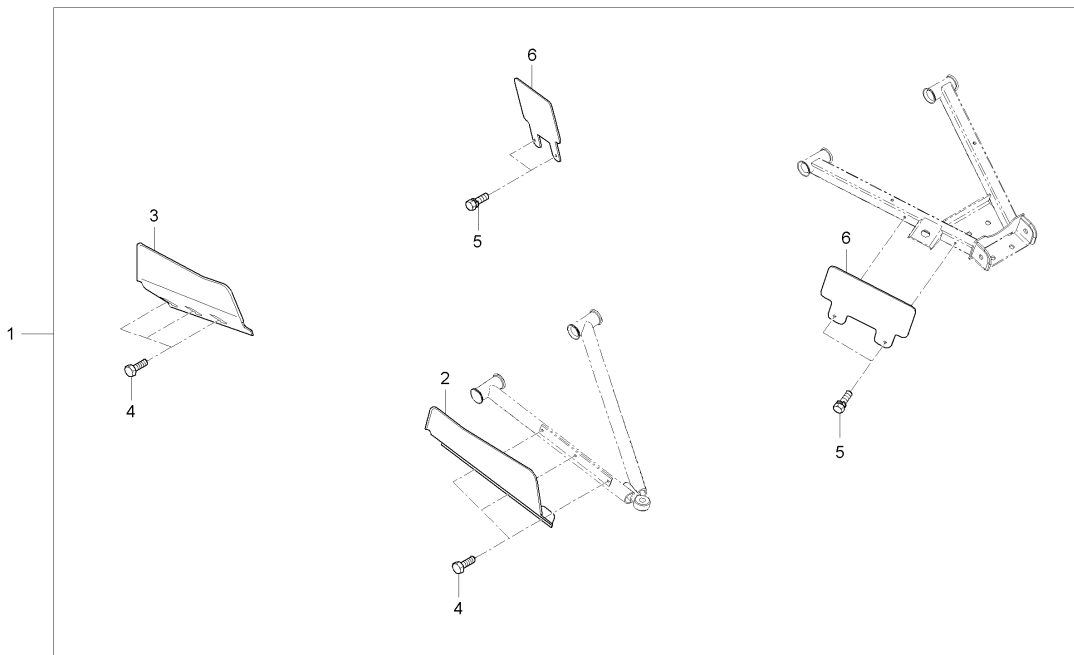
No.	Part Number	Description	Q'TY					I.C	Remark
			A	B	C	D	E		
1	U3219-74402	ACCEL ASSY	1	1	1				
2	U3210-74551	Lever Assy - Hand Accelerator	1	1	1				
3	U3215-74501	CABLE, HAND ACCEL	1	1	1				
4	04013-50060B	WASHER	2	2	2				
5	05525-50600	PIN, SNAP	1	1	1			DI A1.2	
6	U3210-74591	Bracket ,Hand Accel Lever Assy	1	1	1				
7	T2670-60091	LINING,BRAKE	1	1	1				
8	04013-50120B	WASHER	1	1	1				
9	T4835-17241	SPRING	2	2	2				
10	02176-50120B	NUT	2	2	2				
11	01754-50616B	FLANGE BOLT	2	2	2				
12	U3215-85211	LABEL, SPEED CONTROL	1	1	1				
13	U3210-85591	LABEL	1	1	1				
14	U3214-85591	LABEL	1	1	1				

-----> Old replace New
 <-X-> Not interchangeable
 <-O-> Interchangeable with another part(s)

<---- New replace Old
 <----> Interchangeable

U1-U5080A

SUSP DUST SHIELD GROUP-OPT



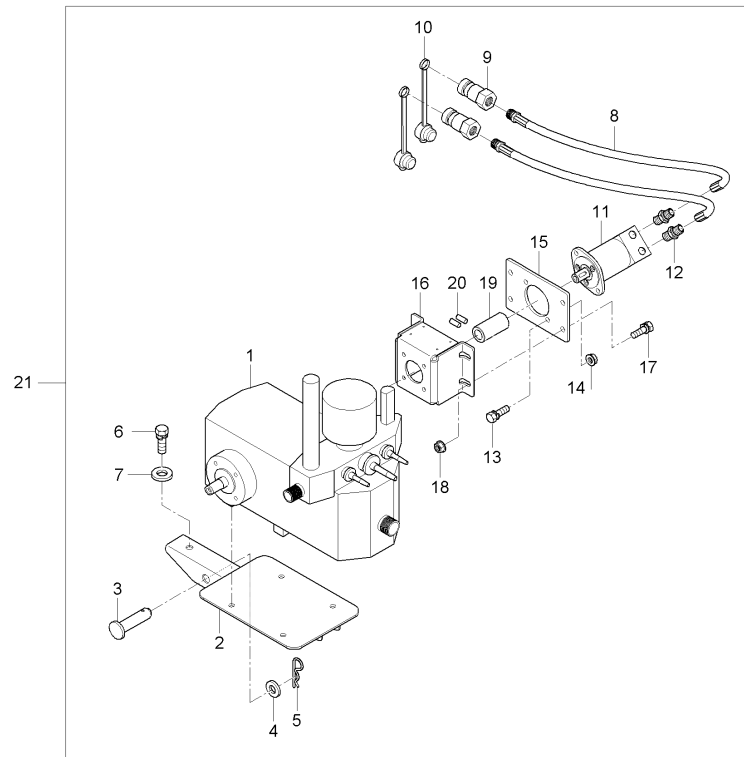
A : MEC2230SW-EU , B : MEC2230SA-EU , C : MEC2230ST-EU

No.	Part Number	Description	Q'TY					I.C	Remark
			A	B	C	D	E		
1	U3215-52353	ASSY, DUST SHIELD	1	1	1				
2	U3215-52401	DUST SHIELD, FR LH	1	1	1				
3	U3215-52701	DUST SHIELD, FR RH	1	1	1				
4	01025-50618	BOLT	6	6	6				M6*P1.0
5	01025-50638	BOLT, WASHER	4	4	4				M6*1.0
6	U3215-55201	DUST SHIELD, RR	2	2	2				

----> Old replace New
 <-X-> Not interchangeable
 <-O> Interchangeable with another part(s)
 <--- New replace Old
 <--- Interchangeable

U1-U5960A

SPRAYER GROUP



A : MEC2230SW-EU , B : MEC2230SA-EU , C : MEC2230ST-EU

No.	Part Number	Description	QTY					I.C	Remark
			A	B	C	D	E		
1	U3215-50971	SPRAYER(50A)	1	1	1				
2	U3215-50821	SPRAYER TRAY ASSY	1	1	1				
3	U3215-50951	DOWEL PIN	1	1	1				
4	04013-50160	WASHER, PLAIN	1	1	1			M6	
5	05515-51600	PIN, SNAP	1	1	1				
6	01133-51245	BOLT, WASHER	1	1	1				
7	04013-50120	WASHER, PLAIN	1	1	1			M2	
8	U3215-30941	HOSE, HYD	2	2	2				
9	U3215-33911	COUPLER, PLUG ASSY	2	2	2				
10	U3215-33931	PLUG CAP	2	2	2				
11	U3215-50961	HYD MOTOR	1	1	1				
12	U3215-50931	NIPPLE	2	2	2				
13	01123-50822	BOLT	2	2	2			M6XP1.25	
14	02763-50080	FLANGE NUT	2	2	2			M6XP1.25	
15	U3215-50901	MOTOR REINFORCE BRKT	1	1	1				
16	U3215-50911	MOTOR REINF SPT BRKT	1	1	1				
17	01133-51025	BOLT, WASHER	4	4	4			M0*1.25	
18	02783-50100	FLANGE NUT	4	4	4			M0XP1.25	
19	U3215-50921	MOTOR SHAFT ADAPTER	1	1	1				

----> Old replace New

<-X-> Not interchangeable

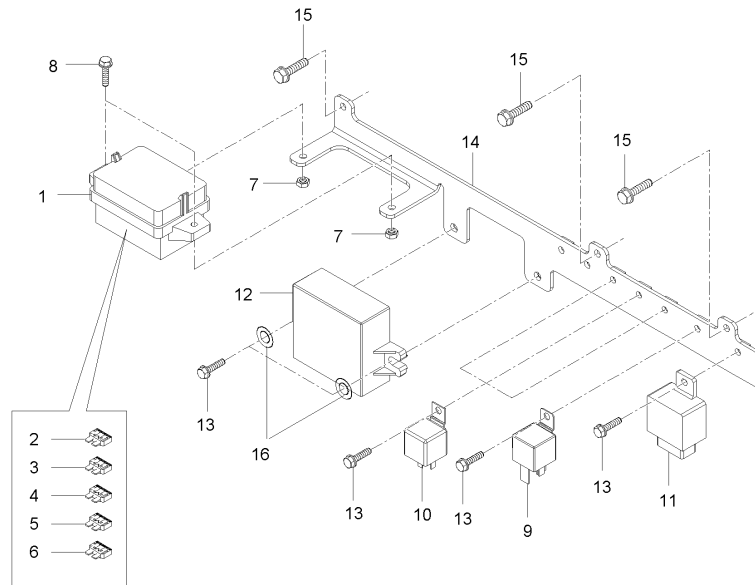
<-O-> Interchangeable with another part(s)

<--- New replace Old

<--- Interchangeable

U1-U0600A

ELECTRICAL SYSTEM 1 GROUP



A : MEC2230SW-EU , B : MEC2230SA-EU , C : MEC2230ST-EU

No.	Part Number	Description	Q'TY					I.C	Remark
			A	B	C	D	E		
1	U3215-69103	ASSY FUSE BOX	1	1	1				
2	T2185-33651	FUSE, 5A	3	3	3				
3	T4260-33631	FUSE, 10A	3	3	3				
4	35820-7556-1	FUSE, 15A	2	2	2				
5	36919-5665-1	FUSE, 20A	4	4	4				
6	T4711-33611	FUSE, 30A	2	2	2				
7	02761-50060	FLANGE NUT	2	2	2			M6XP1.0	
8	01754-50616	BOLT, FLANGE	2	2	2			M6*P1.0	
9	T4180-69951	RELAY(4P)	1	1	1				
9	T5535-69951	RELAY(4P)	1	1	1			<--->	
10	T4180-69961	RELAY(5P)	3	3	3				
11	T4351-43101	ACCESSORY RELAY ASSY	1	1	1				
12	U3215-69872	DISPLAY UNIT	1	1	1				
13	03054-50516B	BOLT	7	7	7				
14	U3215-60161	RELAY BRACKET ASSY	1	1	1				
15	01754-50616	BOLT, FLANGE	3	3	3			M6*P1.0	
16	04013-50050	WASHER, PLAIN	2	2	2				

----> Old replace New

<-X-> Not interchangeable

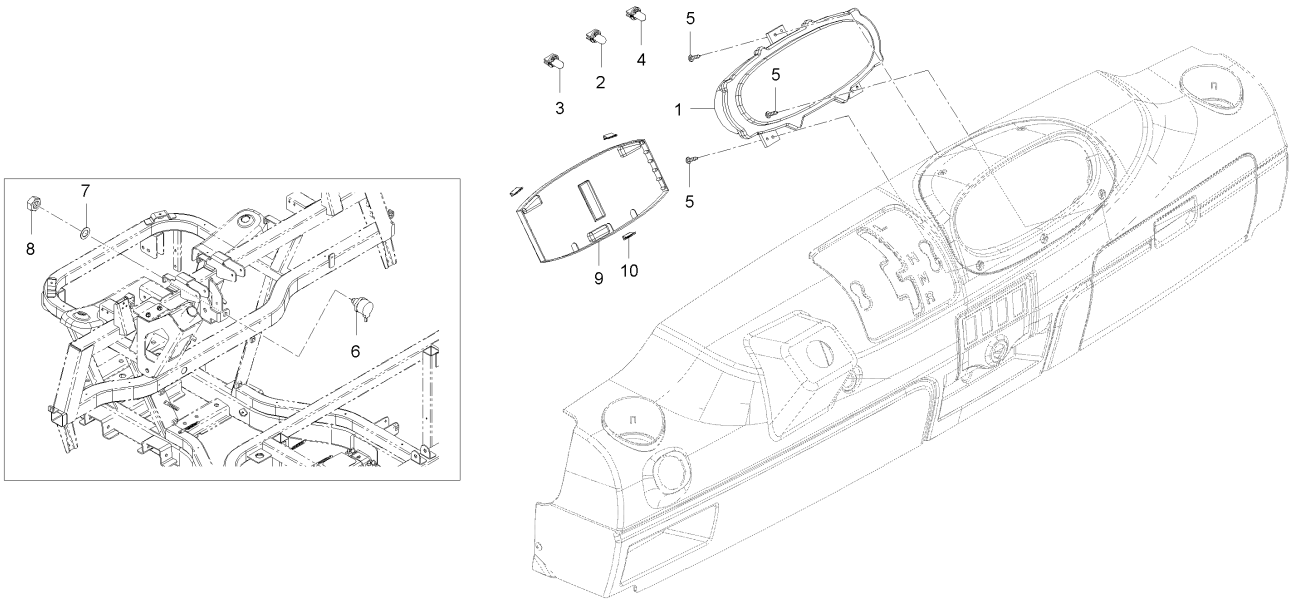
<-O> Interchangeable with another part(s)

<--- New replace Old

<---> Interchangeable

U1-U0610A

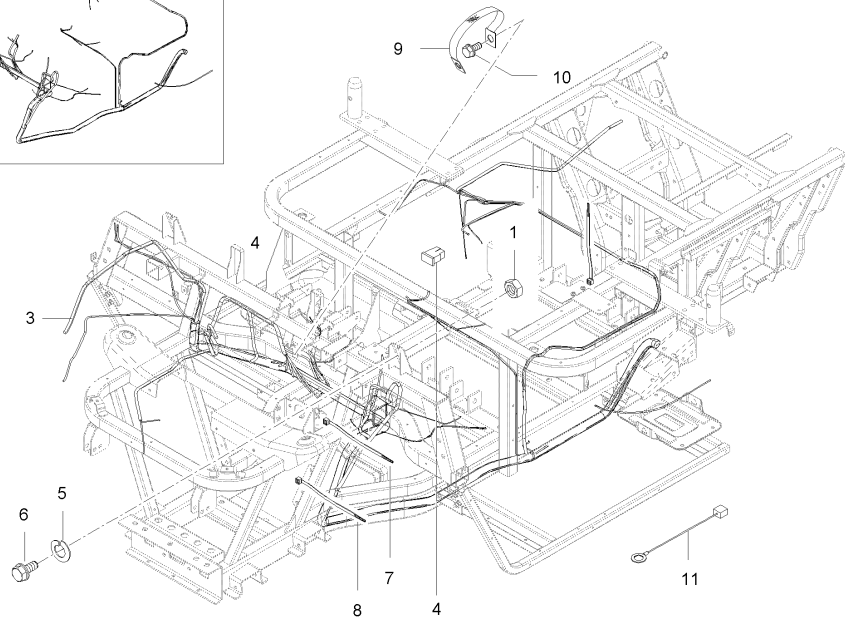
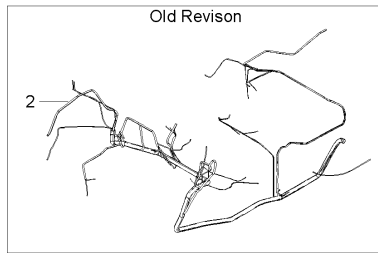
ELECTRICAL SYSTEM 2 GROUP



A : MEC2230SW-EU , B : MEC2230SA-EU , C : MEC2230ST-EU

No.	Part Number	Description	Q'TY					I.C	Remark
			A	B	C	D	E		
1	U3215-60311	CLUSTER ASSY, W/ SPEEDOMETER	1	1	1				
1	U3215-60312	CLUSTER ASSY, W/ SPEEDOMETER	1	1	1			<--->	
2	U3215-60311001	BULB, 12V 3W	4	4	4				
3	U3215-60311002	BULB, 14V 3W	1	1	1				
4	U3215-60311003	BULB, 14V 1.4W	10	10	10				
5	U3215-96502	Screw_Meter Cluster(Tapping, Black)	3	3	3				
6	T4682-69401	SAFE SWITCH ASSY	1	1	1				
6	T5210-69401	ASSY SWITCH SAFETY	1	1	1			<--->	
7	04013-50160	WASHER, PLAIN	1	1	1				M6
8	02052-50160	NUT	1	1	1				
9	U3215-60321	COVER	1	1	1				
10	U3215-60511	CLAMP	3	3	3				

<---> Old replace New
 <-X-> Not interchangeable
 <-O-> Interchangeable with another part(s)
 <---> New replace Old
 <---> Interchangeable



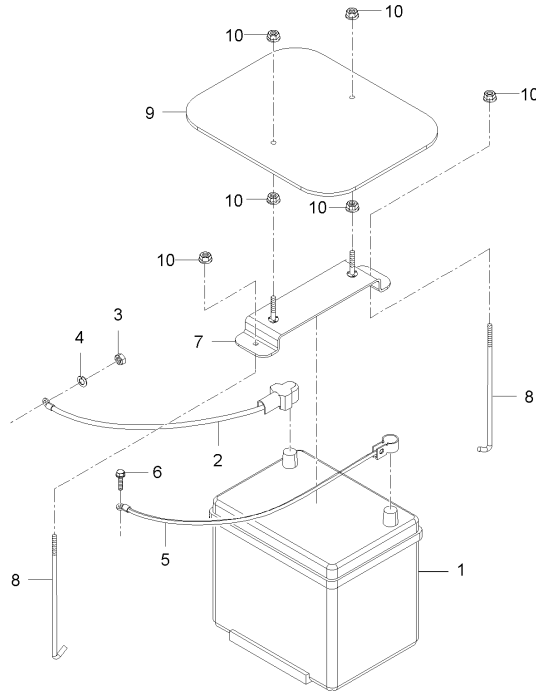
A : MEC2230SW-EU , B : MEC2230SA-EU , C : MEC2230ST-EU

No.	Part Number	Description	Q'TY					I.C	Remark
			A	B	C	D	E		
1	02054-50050	NUT	1	1	1				M6*P1.0
2	U3215-60335	Wire Harness-Main	1	1	1				
2	U3215-60336	Wire Harness-Main	1	1	1			<---	
3	52794-4242-1	FUSE, 60A	1	1	1				
4	T4145-69331	DIODE, 2P	3	3	3				
5	04512-50050	WASHER, SPRING	1	1	1				M5
6	01754-50616	BOLT, FLANGE	3	3	3				M6*P1.0
7	T2185-82561	BAND,CORD	14	14	14				
8	T2198-82551	BAND,CORD	20	20	20				
9	55511-2118-3	CABLE, GROUNDING	1	1	1				
10	01774-51020	BOLT, FLANGE	1	1	1				M0P1.25
11	T4620-69472	WIRE HARNESS 3	1	1	1				

----> Old replace New
 <-X-> Not interchangeable
 <-O> Interchangeable with another part(s)
 <---> New replace Old
 <---> Interchangeable

U1-U0630A

Battery Group



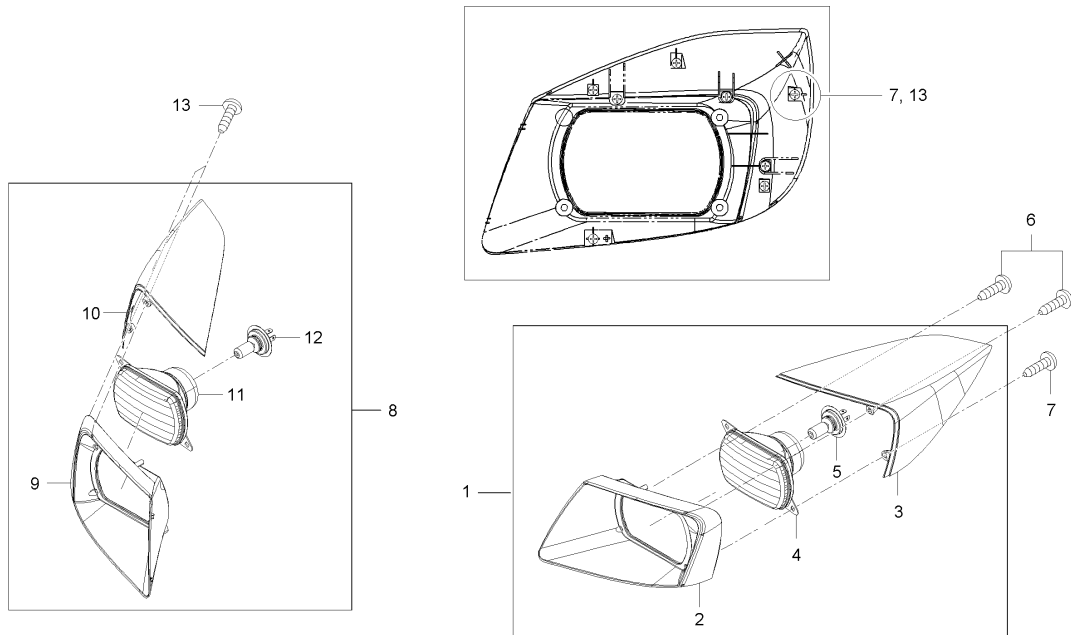
A : MEC2230SW-EU , B : MEC2230SA-EU , C : MEC2230ST-EU

No.	Part Number	Description	Q'TY					I.C	Remark
			A	B	C	D	E		
1	C7910-42204	BATTERY ASSY	1	1	1				
1	C7910-42205	BATTERY ASS'Y, GB80R	1	1	1			<---	
2	U3215-60091	WIRE HARNESS 3	1	1	1				
3	02156-50080	NUT	1	1	1			M8XP1.25	
4	04512-50080	SPRING WASHER	1	1	1			M08	
5	U3215-60081	WIRE HARNESS, GROUND	1	1	1				
6	01754-50616	BOLT, FLANGE	1	1	1			M6*P1.0	
7	U3215-60201	BATTERY CLAMP ASSY	1	1	1				
8	U3215-60212	BATTERY PIN	2	2	2				
9	U3215-60522	BATTERY COVER	1	1	1				
10	02761-50060	FLANGE NUT	6	6	6			M6XP1.0	

<---> Old replace New
 <-X-> Not interchangeable
 <-O-> Interchangeable with another part(s)
 <---> New replace Old
 <---> Interchangeable

U1-U0640A

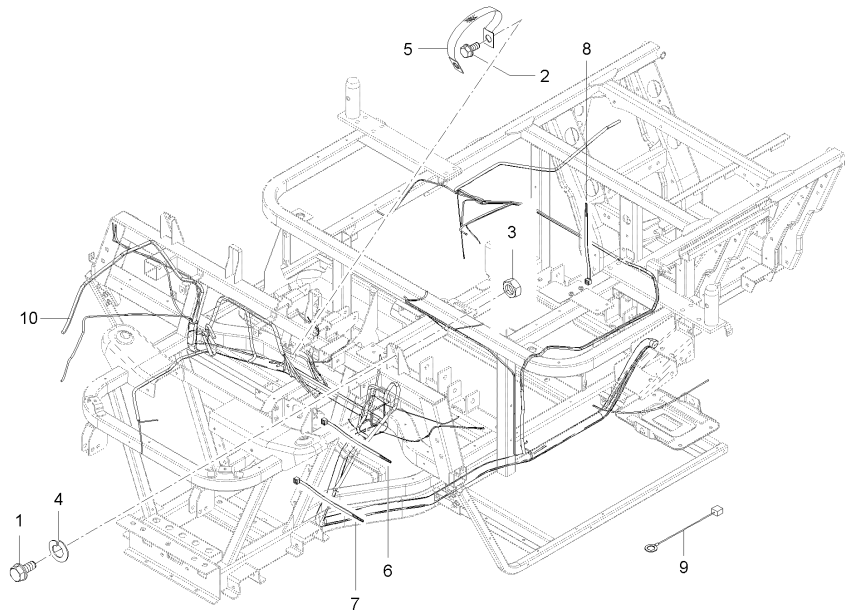
HEAD LIGHT GROUP



A : MEC2230SW-EU , B : MEC2230SA-EU , C : MEC2230ST-EU

No.	Part Number	Description	Q'TY					I.C	Remark
			A	B	C	D	E		
1	U3215-60102	Head Light ASSY (Left)	1	1	1				
2	U3215-60122	Bezel - Head Light Front (Left)	1	1	1				
3	U3215-60421	BEZEL, HEAD LIGHT REAR (LEFT)	1	1	1				
4	T2350-69551	HEADLIGHT	1	1	1				
5	T2350-69571	BULB, 12VX55X60W	2	2	2				
6	U3215-96521	SCREW, TAPPING	3	3	3				
7	U3215-96521	SCREW, TAPPING	4	4	4				
8	U3215-60112	Head Light ASSY (Right)	1	1	1				
9	U3215-60132	Bezel - Head Light Front (Right)	1	1	1				
10	U3215-60431	BEZEL, HEAD LIGHT REAR (RIGHT)	1	1	1				
11	T2350-69551	HEADLIGHT	1	1	1				
12	T2350-69571	BULB, 12VX55X60W	2	2	2				
13	U3215-96521	SCREW, TAPPING	3	3	3				

----> Old replace New
 <-X-> Not interchangeable
 <-O> Interchangeable with another part(s)
 <--- New replace Old
 <- - -> Interchangeable



A : MEC2230SW-EU , B : MEC2230SA-EU , C : MEC2230ST-EU

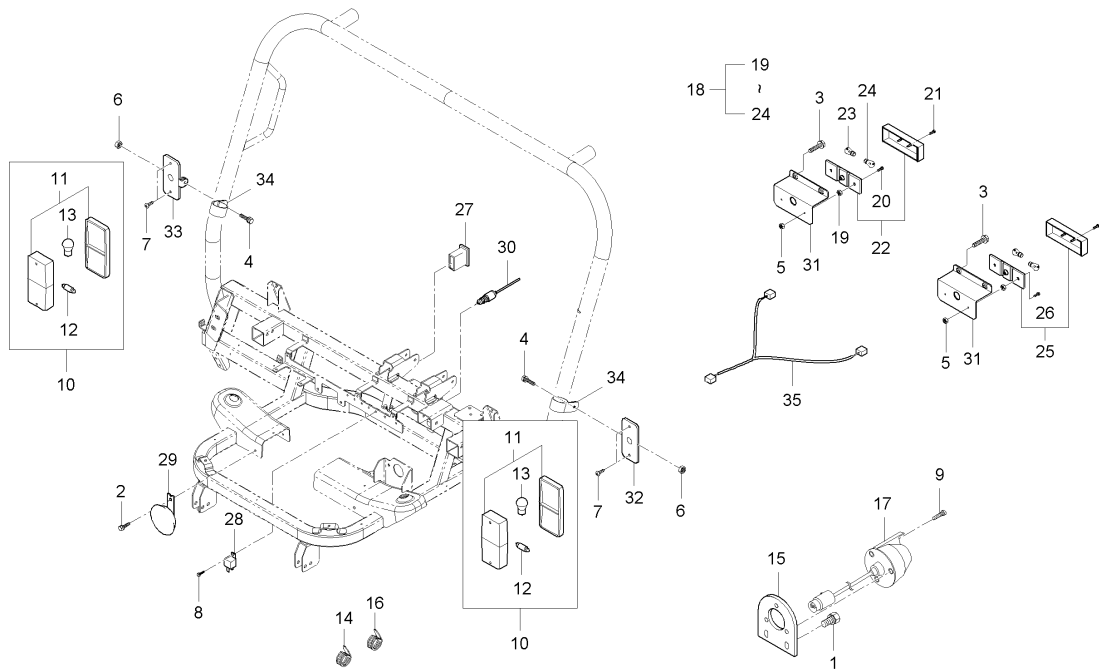
No.	Part Number	Description	Q'TY					I.C	Remark
			A	B	C	D	E		
1	01754-50616	BOLT, FLANGE	3	3	3			M6*P1.0	
2	01774-51020	BOLT, FLANGE	1	1	1			M0P1.25	
3	02054-50050	NUT	1	1	1			M5*P1.0	
4	04512-50050	WASHER, SPRING	1	1	1			M5	
5	55511-2118-3	CABLE, GROUNDING	1	1	1				
6	T2185-82561	BAND, CORD	14	14	14				
7	T2198-82551	BAND, CORD	20	20	20				
8	T2198-82571	BAND	20	20	20				
9	T4620-69472	WIRE HARNESS 3	1	1	1				
10	U3400-73002	ASS'Y WIRE HARNESS MAIN	1	1	1				

----- Old replace New
 <-X-> Not interchangeable
 <-O-> Interchangeable with another part(s)

<---- New replace Old
 <---> Interchangeable

U3430-G755A

SAFTY LAMP GROUP



A : MEC2230SW-EU , B : MEC2230SA-EU , C : MEC2230ST-EU

No.	Part Number	Description	Q'TY					I.C	Remark
			A	B	C	D	E		
1	01123-50816	BOLT, WASHER	2	2	2				M8*P1.25
2	01754-50616B	FLANGE BOLT	1	1	1				
3	01754-50625B	FLANGE BOLT	4	4	4				
4	01754-50816B	FLANGE BOLT	2	2	2				
5	02761-50040B	FLANGE NUT	4	4	4				
6	02763-50080B	FLANGE NUT	4	4	4				
7	03054-50412B	BOLT	4	4	4				
8	03054-50516B	BOLT	1	1	1				
9	03054-50540	BOLT	3	3	3				
10	T2185-69071	COMBI LIGHT ASSY, FR	2	2	2				
11	T2611-69061	LAMP, HAZARD	2	2	2				
12	T2611-79011	BULB, 12VXP21W	2	2	2				
13	T2611-79041	BULB, 12VXC5W	2	2	2				
14	T2185-82561	BAND,CORD	2	2	2				
15	T2185-95612	BRACKET, SOCKET 7PIN	1	1	1				
16	T2198-82551	BAND,CORD	7	7	7				
17	T2611-69933	7 PIN SOCKET	1	1	1				
18	T2611-75882	REAR LAMP ASSY, RH	1	1	1				
19	02052-50040	NUT	2	2	2				

----> Old replace New

<-X-> Not interchangeable

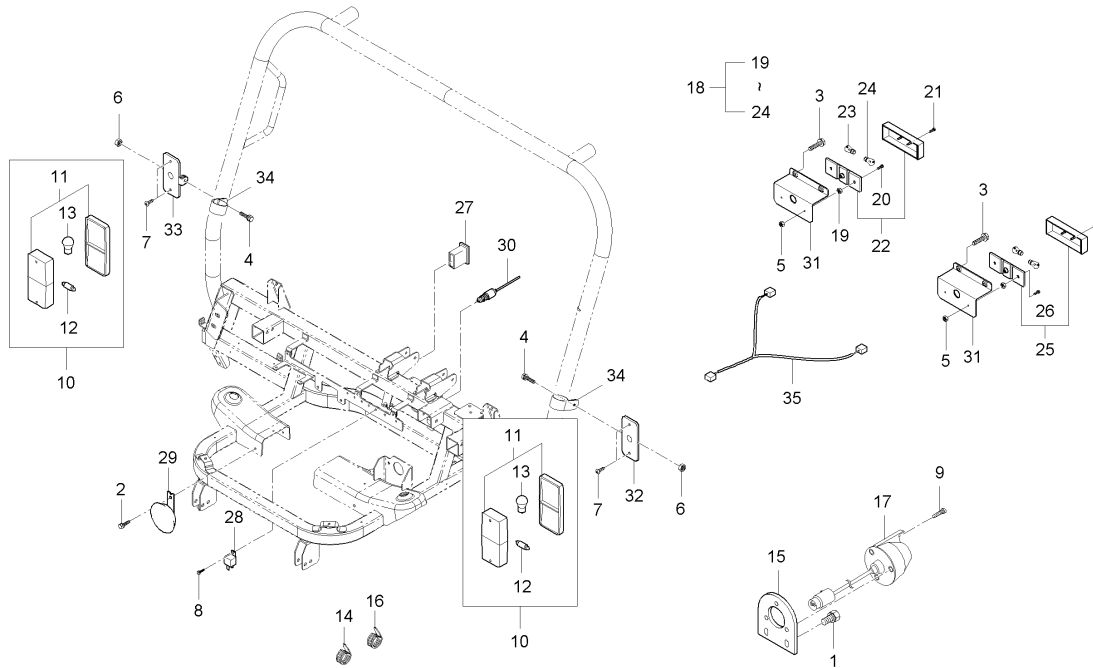
<-O-> Interchangeable with another part(s)

<--- New replace Old

<--- Interchangeable

U3430-G755A

SAFTY LAMP GROUP



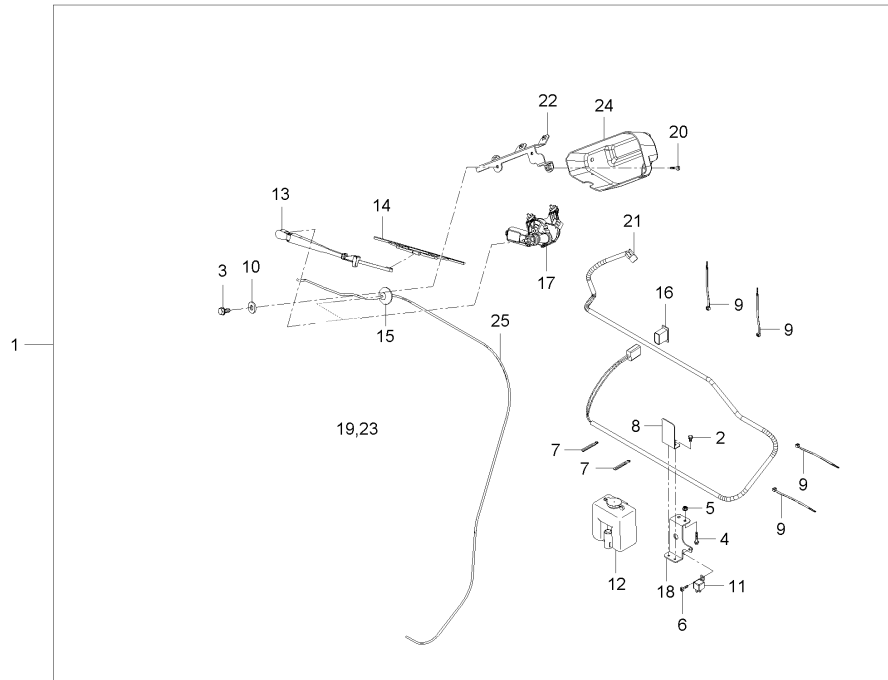
A : MEC2230SW-EU , B : MEC2230SA-EU , C : MEC2230ST-EU

No.	Part Number	Description	Q'TY					I.C	Remark
			A	B	C	D	E		
20	03024-50420	SCREW, WASHER	2	2	2				
21	03054-50416	SCREW	2	2	2			M#0.7	
22	T2611-75782	LAMP, REAR TAIL RH	1	1	1				
23	T2611-79011	BULB, 12VXP21W	2	2	2				
24	T2611-79021	BULB,LIGHT(27W)	1	1	1				
25	T2611-75892	REAR LAMP ASSY, LH	1	1	1				
26	T2611-75792	LAMP, REAR TAIL LH	1	1	1				
27	T4025-68351	SWITCH, EMERGENCY LAMP	1	1	1				
28	T4121-31053	FLASHER UNIT, SENSOR	1	1	1				
29	T4144-75952	ASSY HORN	1	1	1				
30	T4520-41821	ASSY SWITCH,STOP	1	1	1				
31	U3215-60171	COMBI LAMP BRACKET, RR	2	2	2				
32	U3215-60341	BRACKET, LH	1	1	1				
33	U3215-60351	BRACKET, RH	1	1	1				
34	U3215-97111	CLAMP	2	2	2				
35	U3400-75501	ASS'Y WIRE HARNESS, REAR COMBI LAMP	1	1	1				

-----> Old replace New
 <-X-> Not interchangeable
 <-O-> Interchangeable with another part(s)
 <--- New replace Old
 <--- Interchangeable

U3-U3933A

WIPER GROUP



A : MEC2230SW-EU , B : MEC2230SA-EU , C : MEC2230ST-EU

No.	Part Number	Description	QTY					I.C	Remark
			A	B	C	D	E		
1	U3230-97342	WIPER ASSY	1	1	1				
2	01754-50616	BOLT, FLANGE	2	2	2			M6*P1.0	
3	01754-50816B	FLANGE BOLT	2	2	2				
4	01754-50865B	FLANGE BOLT	2	2	2				
5	02751-50080	FLANGE NUT	2	2	2			M&X1.25	
6	03054-50516	SCREW	1	1	1				
7	34150-2939-1	CLAMP, WIRE	2	2	2				
8	C7280-89211	BRACKET	1	1	1				
9	T2185-82561	BAND,CORD	7	7	7				
10	T2610-80691	CUSHION	2	2	2				
11	T4180-69961	RELAY(5P)	1	1	1				
11	T5535-69961	RELAY(5P)	1	1	1			<--->	
12	T4340-87181	ASSY TANK	1	1	1				
13	T4815-82421	ARM, WIPER	1	1	1				
14	T4835-82431	BLADE, IWPER	1	1	1				
15	T4920-70471	GROMMET(ROOF)	1	1	1				
16	T4935-54232	SWITCH, WIPER, FR	1	1	1				
17	T5270-69913	ASS`Y CONT-MULTI	1	1	1				
18	U3210-97261	BRACKET ASSY,WASHER LIQUID TANK	1	1	1				

----> Old replace New

<-X- Nbt interchangeable

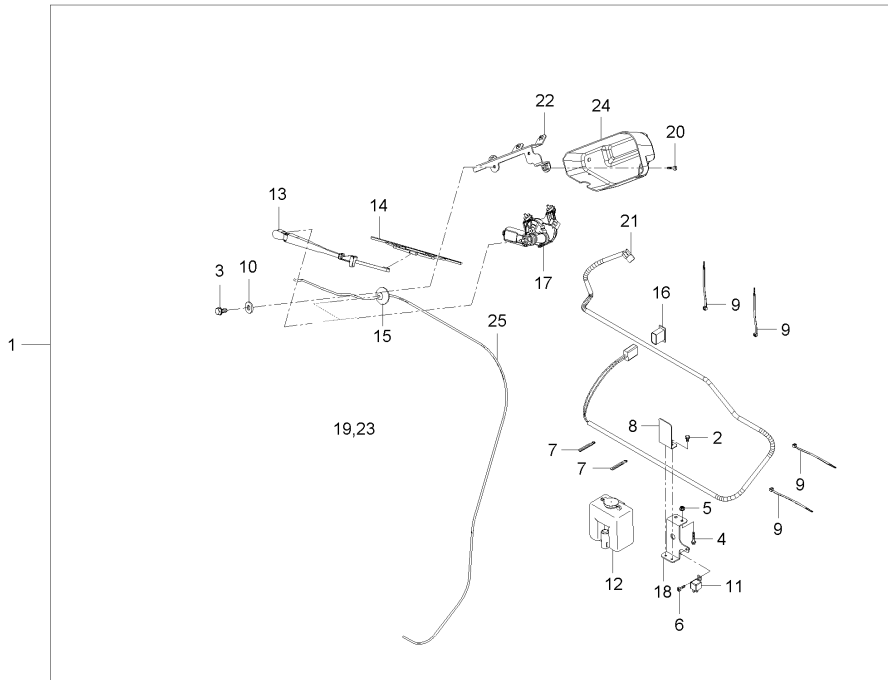
<-O> Interchangeable with another part(s)

<--- New replace Old

<---> Interchangeable

U3-U3933A

WIPER GROUP



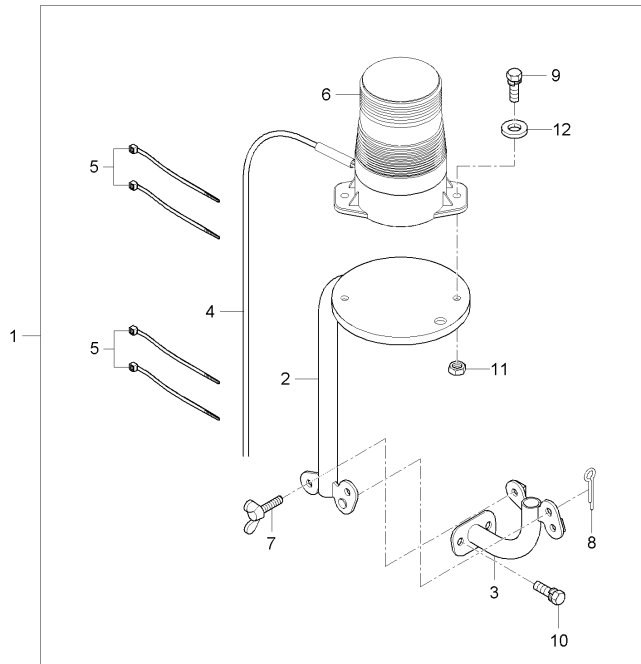
A : MEC2230SW-EU , B : MEC2230SA-EU , C : MEC2230ST-EU

No.	Part Number	Description	Q'TY					I.C	Remark
			A	B	C	D	E		
19	U3210-97271	BRACKET,WASHER LIQUID TANK	1	1	1				
20	U3215-97161	SCREW	2	2	2				
21	U3230-69201	ASS'Y WIRE HARNESS WIPER	1	1	1				
22	U3230-97261	BRACKET ASSY,FRONT WIPER MOTOR	1	1	1				
23	U3230-97281	BRACKET,FRONT WIPER MOTOR	1	1	1				
24	U3230-97271	COVER,FRONT WIPER MOTOR	1	1	1				
25	U3230-97481	HOSE, WIPER	1	1	1				

<-X-> Not interchangeable
 <-O-> Interchangeable with another part(s)
 <----> New replace Old
 <----> New replace Old
 <----> Interchangeable

U3-U5710A

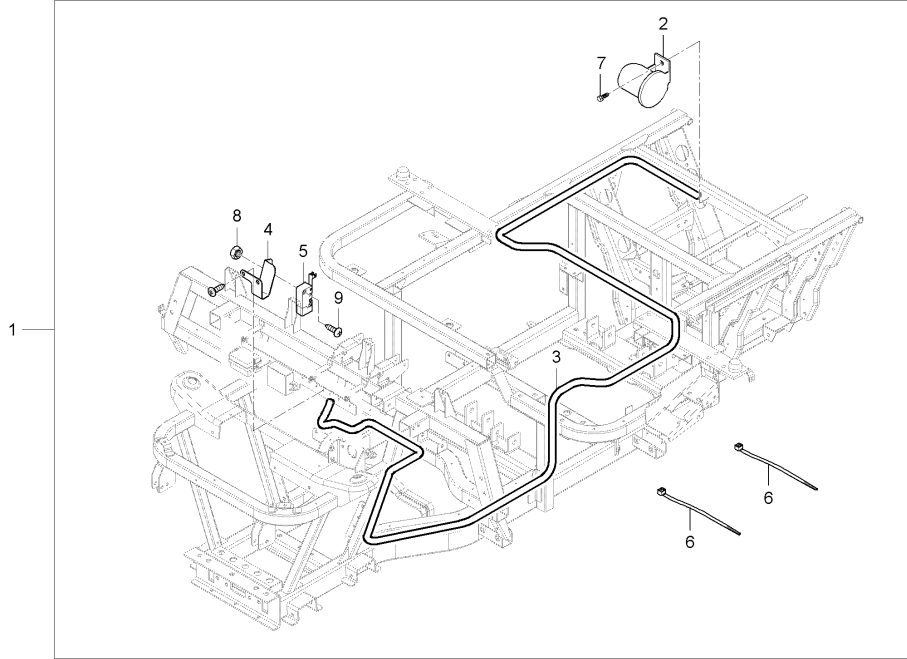
BEACON LIGHT GROUP



A : MEC2230SW-EU , B : MEC2230SA-EU , C : MEC2230ST-EU

No.	Part Number	Description	Q'TY					I.C	Remark
			A	B	C	D	E		
1	U3230-63601	BEACON ASS'Y	1	1	1				
1	U3230-63602	BEACON ASS'Y	1	1	1			<---	
2	U3230-63611	BEACON BRACKET SUB ASS'Y 1	1	1	1				
3	U3230-63661	BEACON BRACKET SUB ASS'Y 2	1	1	1				
4	U3215-69611	LAMP CONNECTION WIRE HARNESS ASS'Y	1	1	1				
5	T2198-82561	BAND, CORD	7	7	7				
6	T5210-68552	WARINING LIGHT	1	1	1				
6	T5210-68553	WARINING LIGHT	1	1	1			<---	
7	01811-50615	BOLT, WING	1	1	1				
8	05511-51612	PIN, SPLIT	1	1	1				
9	01023-50616	BOLT, WASHER	2	2	2				M6*P1.0
10	01025-50612	BOLT, WASHER	2	2	2				M6P1.0
11	02056-50060	NUT	2	2	2				M6*P1.0
12	04013-50060	WASHER, PLAIN	2	2	2				M6

----> Old replace New
 <-X> Not interchangeable
 <-O> Interchangeable with another part(s)
 <--- New replace Old
 <---> Interchangeable



A : MEC2230SW-EU , B : MEC2230SA-EU , C : MEC2230ST-EU

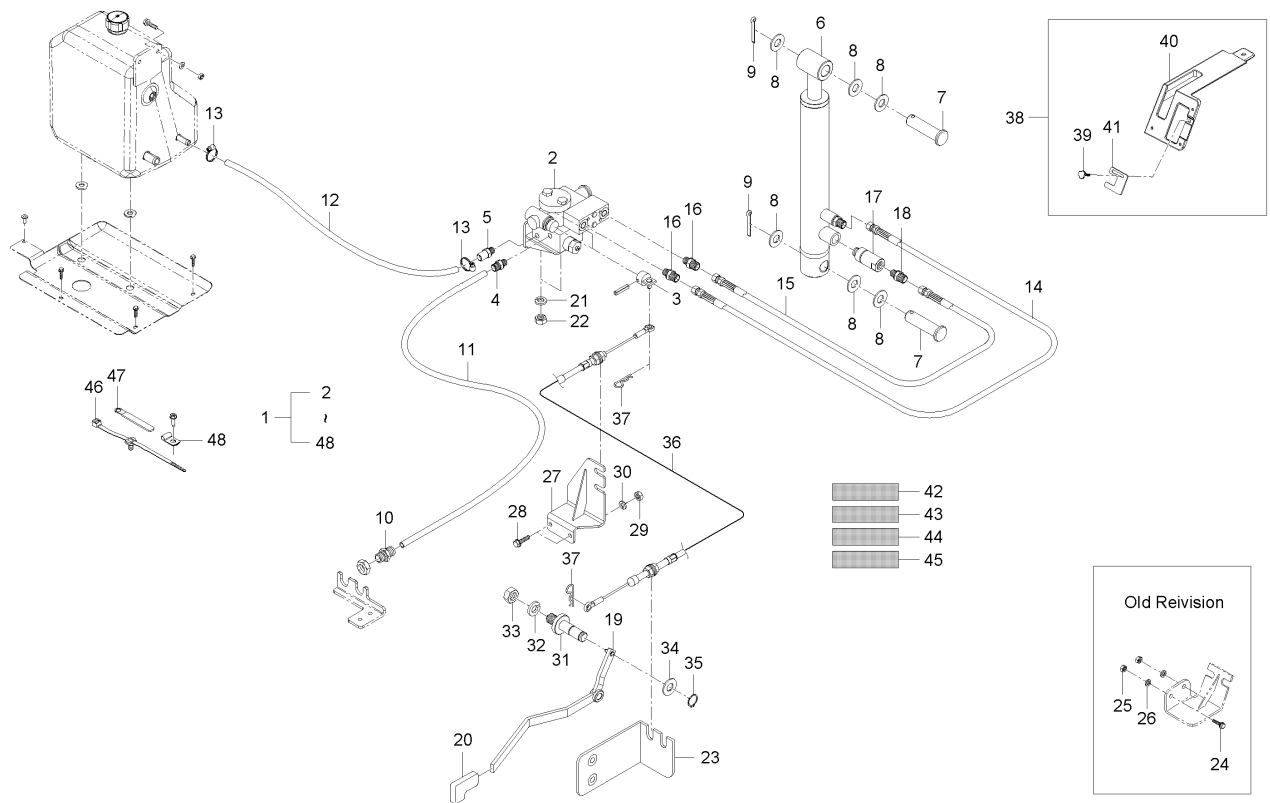
No.	Part Number	Description	Q'TY					I.C	Remark
			A	B	C	D	E		
1	U3230-69801	BACKUP ALARM SYSTEM KIT	1	1	1				
2	U3215-69811	BUZZERASSY	1	1	1				
3	U3215-69821	ASS'Y WIRE HARNESS BUZZER	1	1	1				
4	U3230-69831	BRACKET, BACKUP ALARM SYSTEM	1	1	1				
5	T4810-69251	MICRO SWITCH	1	1	1				
6	T2198-82561	BAND, CORD	5	5	5				
7	01027-50616	BOLT, WASHER	1	1	1				
8	02054-50030	NUT	2	2	2				
9	03054-50316	SCREW	2	2	2				

<---> Old replace New
 <-X-> Not interchangeable
 <-O-> Interchangeable with another part(s)

<---> New replace Old
 <---> Interchangeable

U3400-G620B

HYDRAULIC SYSTEM



A : MEC2230SW-EU , B : MEC2230SA-EU , C : MEC2230ST-EU

No.	Part Number	Description	Q'TY					I.C	Remark
			A	B	C	D	E		
1	U3400-34001	ASSY, HYD KIT(1)	1	1	1				
2	U3210-34212	HYD VALVE ASS'Y B	1	1	1				
3	U3215-32252	Adaptor - Control Valve	1	1	1				
4	T4810-46971	TUBE, CONNECTING	1	1	1				
5	T4715-47071	CONNECTOR	1	1	1				
6	U3400-60101	CYLINDER, HYD	1	1	1				
7	U3215-32972	Pin, Joint	2	2	2				
8	04013-50200	WASHER, PLAIN	6	6	6				
9	05515-51600	PIN, SNAP	2	2	2				
10	T5210-37531	CONNECTOR	1	1	1				
11	U3400-61101	HOSE, HYD	1	1	1				
12	U3400-61201	HOSE, HYD	1	1	1				
13	52200-2523-1	HOSBAND	2	2	2				
14	U3215-31803	Hyd Hose A, Cylinder	1	1	1				
15	U3215-31902	HYD HOSE B, CYLINDER	1	1	1				
16	T4810-46962	CONNECTOR	2	2	2				
17	U3215-32001	ORIFICE	1	1	1				
18	T4620-66161	TUBE, CONNECTING	1	1	1				
19	U3215-32302	LEVER ASSY, HYDRAULIC	1	1	1				

----> Old replace New

<-X> Not interchangeable

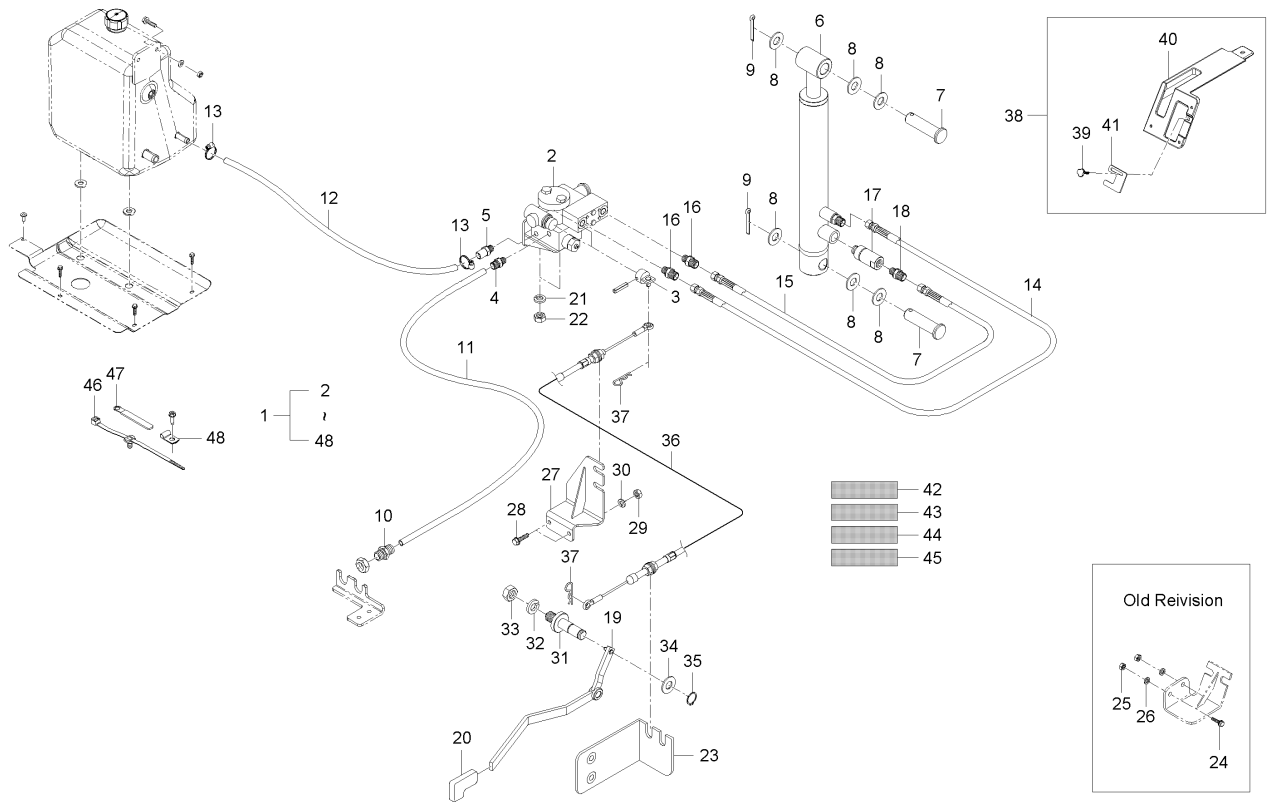
<-O> Interchangeable with another part(s)

<--- New replace Old

<--- Interchangeable

U3400-G620B

HYDRAULIC SYSTEM



A : MEC2230SW-EU , B : MEC2230SA-EU , C : MEC2230ST-EU

No.	Part Number	Description	Q'TY					I.C	Remark
			A	B	C	D	E		
20	T4260-24462	GRIP	1	1	1				
21	04512-50100	WASHER, SPRING	2	2	2				M0
22	02176-50100	NUT	2	2	2				M0XP1.25
23	U3215-32502	Bracket Assy - Hyd. Cable (Bracket	1	1	1				
24	01754-50820	FLANGE BOLT	2	2	2				M8*P1.25
25	02156-50080	NUT	2	2	2				M8XP1.25
26	04512-50080	SPRING WASHER	2	2	2				M08
27	U3215-32802	Bracket Assy - Control Valve Cable	1	1	1				
28	01754-50820	FLANGE BOLT	2	2	2				M8*P1.25
29	02156-50080	NUT	2	2	2				M8XP1.25
30	04512-50080	SPRING WASHER	2	2	2				M08
31	U3215-32902	Shaft Lever MTG. HYD.(PIN)	1	1	1				
32	04512-50120	WASHER, SPRING	1	1	1				M2
33	02174-50120	NUT	1	1	1				M2*P1.25
34	04013-50160	WASHER, PLAIN	1	1	1				M6
35	04612-00160	SNAP RING	1	1	1				
36	U3400-61401	Cable Assy - Hyd	1	1	1				
37	05525-50800	PIN, SNAP	2	2	2				
38	U3215-93501	Lever Cover Assy	1	1	1				

----> Old replace New

<-X-> Not interchangeable

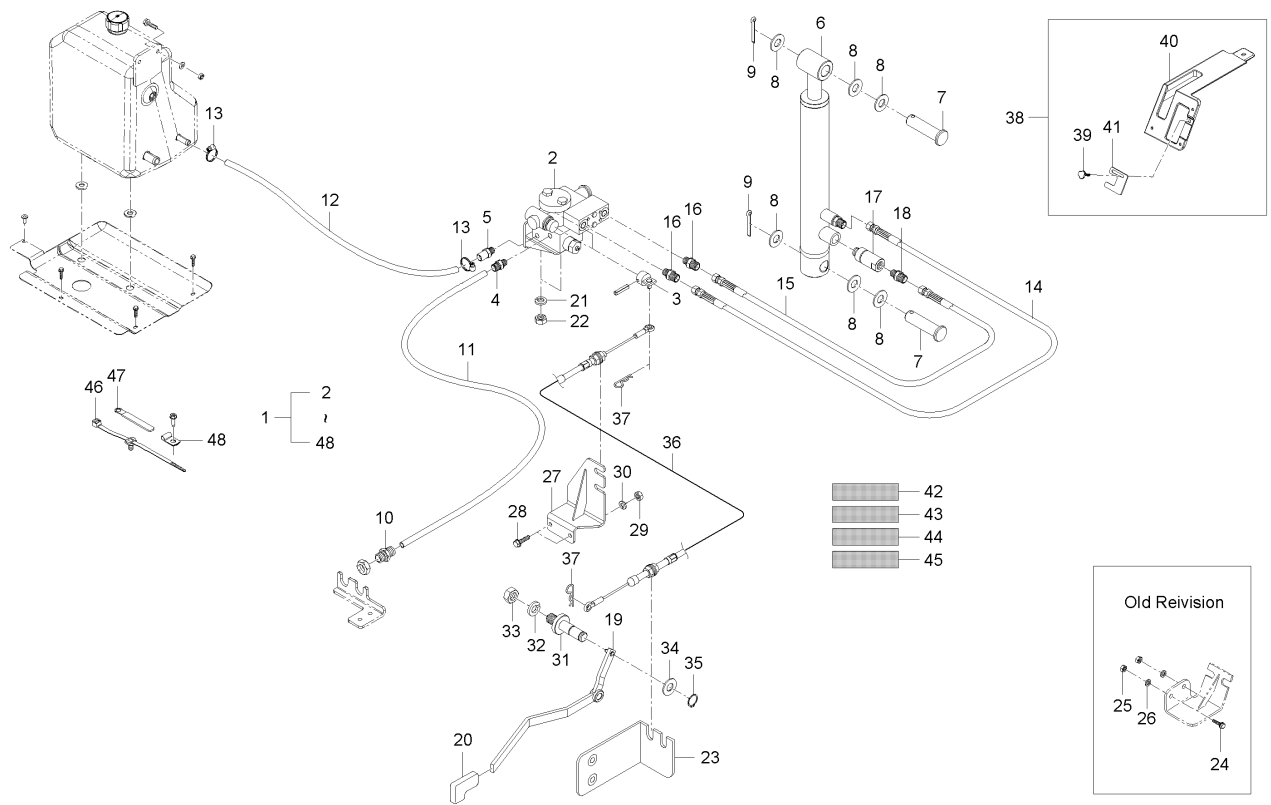
<-O-> Interchangeable with another part(s)

<---- New replace Old

<---- Interchangeable

U3400-G620B

HYDRAULIC SYSTEM



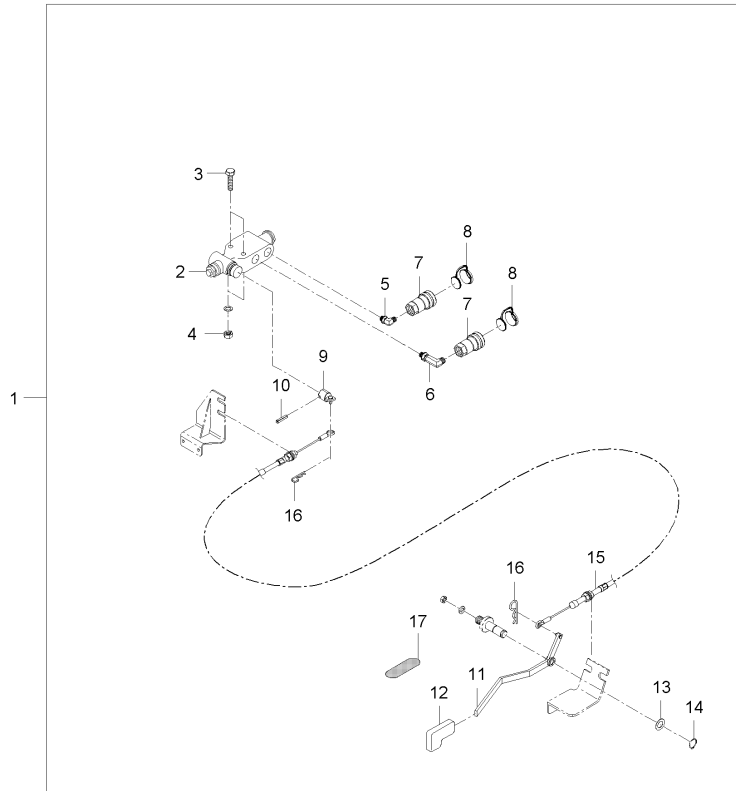
A : MEC2230SW-EU , B : MEC2230SA-EU , C : MEC2230ST-EU

No.	Part Number	Description	Q'TY					I.C	Remark
			A	B	C	D	E		
39	P4410-98251	BOLT	1	1	1				
40	U3215-93521	Parking Lever Cover	1	1	1				
41	U3215-93531	DECK LOCKING PLATE	1	1	1				
42	U3215-85491	LABEL, DOUBLE ACTING LEVER(ENG)	1	1	1				
43	U3215-85711	LABEL WARNING, HYD LEVER LOCK	1	1	1				
44	U3210-85491	LABEL, DOUBLE ACTING LEVER(KOR)	1	1	1				
45	U3215-85321	LABEL DIFF,LOCK	1	1	1				
46	T2198-82551	BAND,CORD	1	1	1				
47	34150-2939-1	CLAMP, WIRE	1	1	1				
48	U3215-22351	CLIP	1	1	1				

----> Old replace New
 <-X-> Not interchangeable
 <-O-> Interchangeable with another part(s)
 <--- New replace Old
 <--- Interchangeable

U3400-G630B

HYDRAULIC SYSTEM



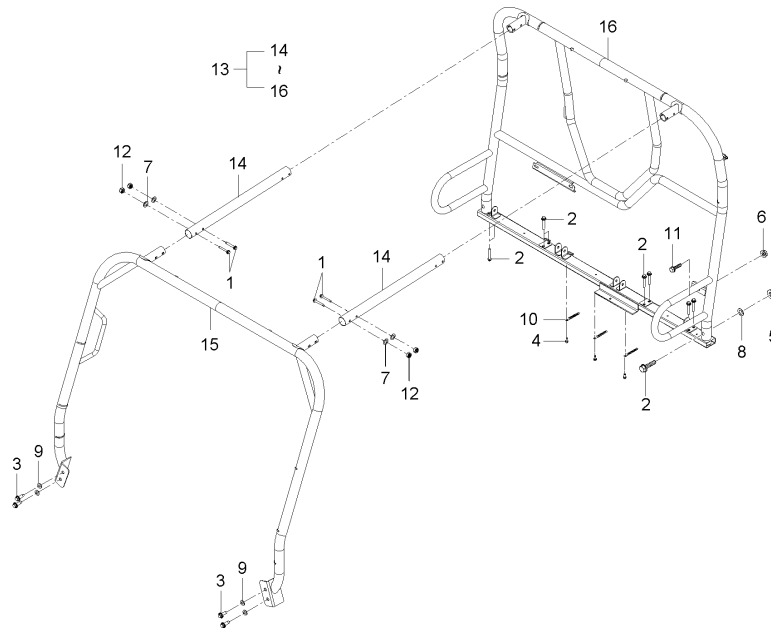
A : MEC2230SW-EU , B : MEC2230SA-EU , C : MEC2230ST-EU

No.	Part Number	Description	Q'TY					I.C	Remark
			A	B	C	D	E		
1	U3400-34011	ASSY, HYD KIT(2)	1	1	1				
2	U3215-32432	DU-Sectional Valve	1	1	1				
3	U3215-32271	BOLT	2	2	2				
4	41182-5151-1	U-NUT	2	2	2				
5	U3215-33701	CONNECTOR B	1	1	1				
6	U3215-33801	CONNECTOR C	1	1	1				
7	U3215-33902	COUPLER	2	2	2				
8	U3215-33921	CAP	2	2	2				
9	U3215-32252	Adaptor - Control Valve	1	1	1				
10	05411-00630	PIN, SPRING	1	1	1				ØA6*30
11	U3215-32352	Lever Assy - Deck. (Lever 2)	1	1	1				
12	T4260-24462	GRIP	1	1	1				
13	04013-50160	WASHER, PLAIN	1	1	1				M6
14	04612-00160	SNAP RING	1	1	1				
15	U3400-61401	Cable Assy - Hyd	1	1	1				
16	05525-50800	PIN, SNAP	2	2	2				
17	U3210-85481	LABEL	1	1	1				

----- Old replace New
 <-X-> Not interchangeable
 <-O-> Interchangeable with another part(s)
 <--- New replace Old
 <--- Interchangeable

U3430-G950A

ROPS



A : MEC2230SW-EU , B : MEC2230SA-EU , C : MEC2230ST-EU

No.	Part Number	Description	Q'TY					I.C	Remark
			A	B	C	D	E		
1	01125-50860B	BOLT	10	10	10				
2	01125-51060B	BOLT	8	8	8				
3	01135-51230B	BOLT	4	4	4				
4	01754-50610	FLANGE BOLT	3	3	3			M6XP1.0	
5	02176-50100B	NUT	2	2	2				
6	02761-50060	FLANGE NUT	2	2	2			M6XP1.0	
7	04013-50080B	WASHER	8	8	8				
8	04013-50100B	WASHER	2	2	2				
9	04013-50120B	WASHER	4	4	4				
10	34150-2939-1	CLAMP, WIRE	3	3	3				
11	U3215-81552	Screw (Black)	2	2	2				
12	U3215-96251	U-NUT	8	8	8				
13	U3430-95001	ROPS ASSY	1	1	1				
14	U3210-36861	Frame Middle	2	2	2				
15	U3430-95101	FRAME FRONT ASSY	1	1	1				
16	U3430-95501	FRAME REAR ASSY	1	1	1				

----> Old replace New

<-X> Not interchangeable

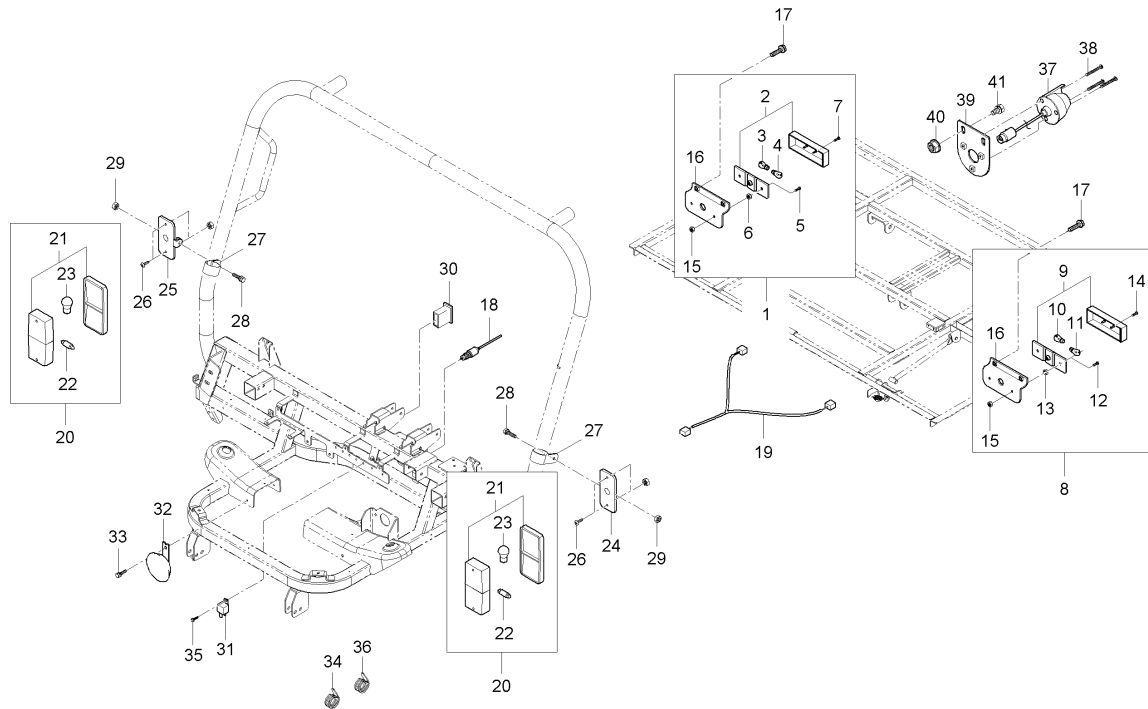
<-O> Interchangeable with another part(s)

<---- New replace Old

<---> Interchangeable

U3-U0980A

OPTIONAL LAMP GROUP(EU)



A : MEC2230SW-EU , B : MEC2230SA-EU , C : MEC2230ST-EU

No.	Part Number	Description	Q'TY					I.C	Remark
			A	B	C	D	E		
1	T2611-75882	REAR LAMP ASSY, RH	1	1	1				
2	T2611-75782	LAMP, REAR TAIL RH	1	1	1				
3	T2611-79021	BULB,LIGHT(27W)	1	1	1				
4	T2611-79011	BULB, 12VXP21W	2	2	2				
5	03024-50420	SCREW, WASHER	2	2	2				
6	02052-50040	NUT	2	2	2				
7	03054-50416	SCREW	2	2	2			M#*0.7	
8	T2611-75892	REAR LAMP ASSY, LH	1	1	1				
9	T2611-75792	LAMP, REAR TAIL LH	1	1	1				
10	T2611-79021	BULB,LIGHT(27W)	1	1	1				
11	T2611-79011	BULB, 12VXP21W	2	2	2				
12	03024-50420	SCREW, WASHER	2	2	2				
13	02052-50040	NUT	2	2	2				
14	03054-50416	SCREW	2	2	2			M#*0.7	
15	02761-50040B	FLANGE NUT	4	4	4				
16	U3215-60171	COMBI LAMP BRACKET, RR	2	2	2				
17	01754-50625B	FLANGE BOLT	4	4	4				
18	T4520-41821	ASSY SWITCH,STOP	1	1	1				
19	U3230-60841	ASSY WIRE HARNESS, REAR COMBI LAMP	1	1	1				

----> Old replace New

<-X-> Not interchangeable

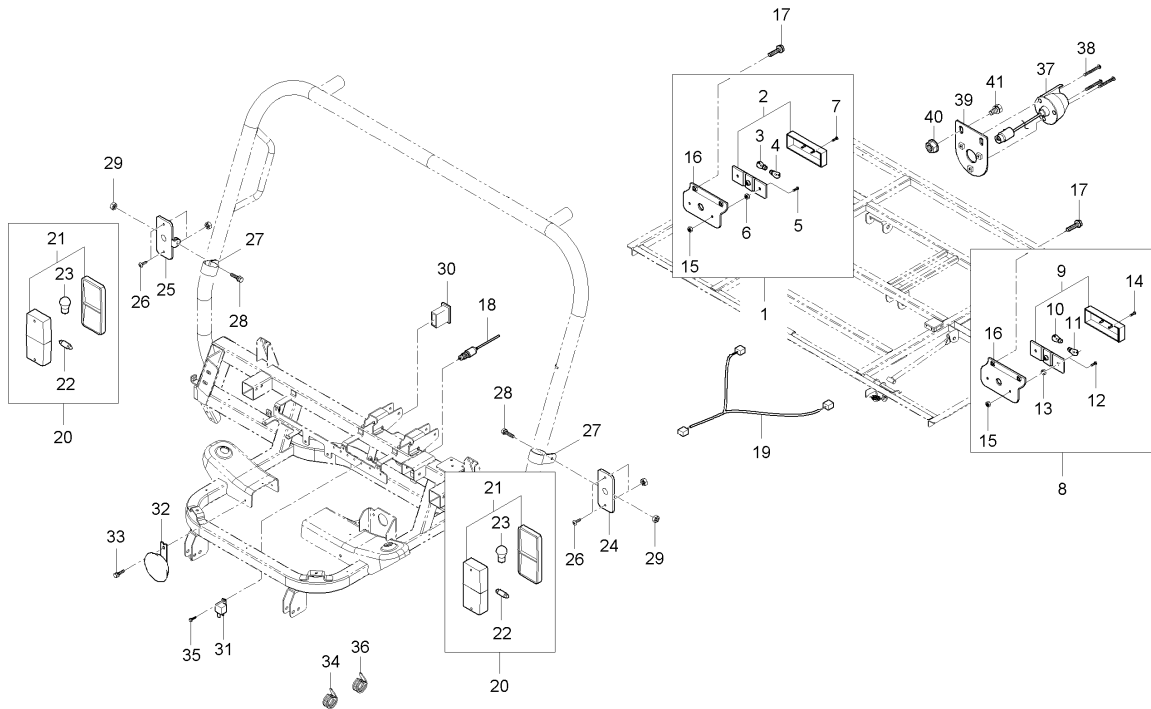
<-O-> Interchangeable with another part(s)

<--- New replace Old

<---> Interchangeable

U3-U0980A

OPTIONAL LAMP GROUP(EU)



A : MEC2230SW-EU , B : MEC2230SA-EU , C : MEC2230ST-EU

No.	Part Number	Description	Q'TY					I.C	Remark
			A	B	C	D	E		
20	T2185-69071	COMBI LIGHT ASSY, FR	2	2	2				
21	T2611-69061	LAMP, HAZARD	2	2	2				
22	T2611-79011	BULB, 12VXP21W	2	2	2				
23	T2611-79041	BULB, 12VXC5W	2	2	2				
24	U3215-60341	BRACKET, LH	1	1	1				
25	U3215-60351	BRACKET, RH	1	1	1				
26	03054-50412B	BOLT	4	4	4				
27	U3215-97111	CLAMP	2	2	2				
28	01754-50816B	FLANGE BOLT	2	2	2				
29	02763-50080B	FLANGE NUT	2	2	2				
30	T4025-68351	SWITCH, EMERGENCY LAMP	1	1	1				
31	T4121-31053	FLASHER UNIT, SENSOR	1	1	1				
31	T4121-31054	FLASHER UNIT, SENSOR	1	1	1			<--->	
32	T4144-75952	ASSY HORN	1	1	1				
33	01754-50616B	FLANGE BOLT	1	1	1				
34	T2185-82561	BAND,CORD	2	2	2				
35	03054-50516B	BOLT	1	1	1				
36	T2198-82551	BAND,CORD	7	7	7				
37	T2611-69933	7 PIN SOCKET	1	1	1				

----> Old replace New

<-X-> Not interchangeable

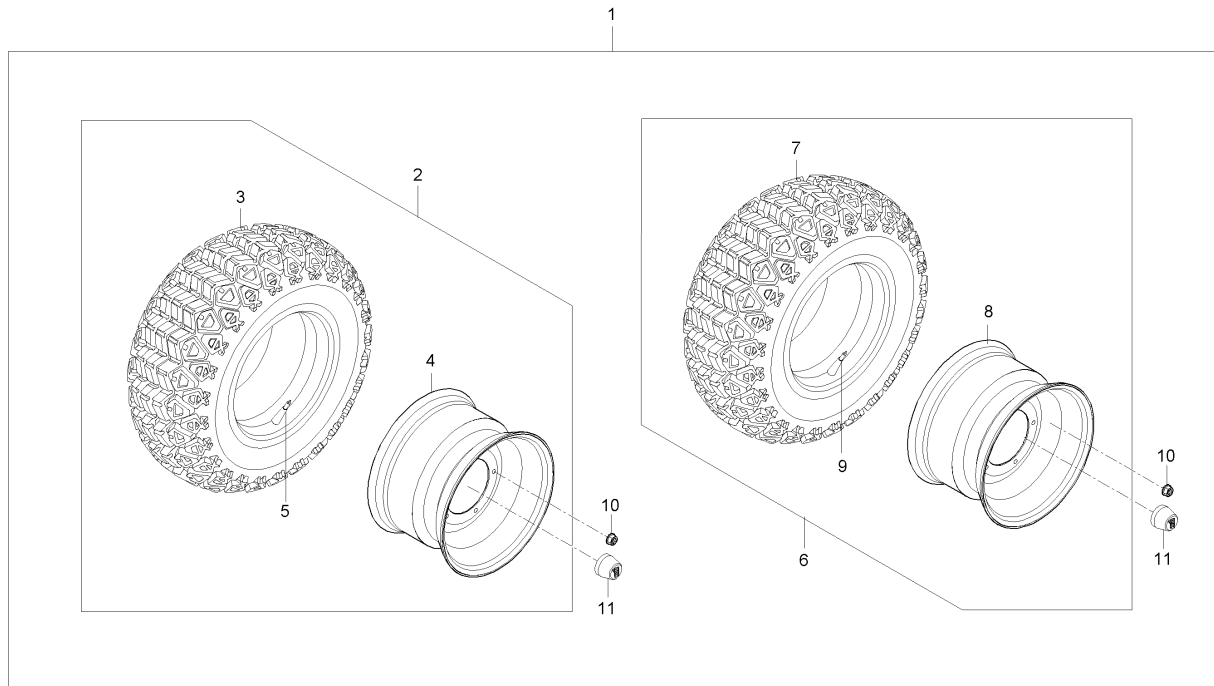
<-O-> Interchangeable with another part(s)

<--- New replace Old

<---> Interchangeable

U1-U3290A

Wheel & Tire Group(OPT-WORK)



A : MEC2230SW-EU , B : MEC2230SA-EU , C : MEC2230ST-EU

No.	Part Number	Description	Q'TY					I.C	Remark
			A	B	C	D	E		
1	U3210-63102	ASSY, WHEEL&TIRE(WORK)	1	1	1				
1	U3210-63104	ASSY, WHEEL&TIRE(WORK)	1	1	1			<---	
2	U3210-63151	Wheel & Tire-FRT	4	4	4				
2	U3210-63352	WORK TIRE ASS'Y	4	4	4			<---	
3	U3210-63321	Tire-FRT (25X10 R12)	1	1	1				
3	U3210-63391	TIRE(25X10R12)	1	1	1			<---	
4	U3210-63121	Wheel-FRT	1	1	1				
4	U3210-63122	Wheel-FRT	1	1	1			<---	
5	U3210-63161	DIVIDER.CMP,FROW	1	1	1				
6	U3210-63171	Wheel & Tire-RR	2	2	2				
6	U3210-63351	WORK TIRE ASS'Y	2	2	2			<-O>	
7	U3210-63331	Tire-RR (25X11X R12)	1	1	1				
7	U3210-63391	TIRE(25X10R12)	1	1	1			<-O>	
8	U3210-63221	Wheel-RR	1	1	1				
8	U3210-63221	Wheel-RR	1	1	1			<-O>	
9	U3215-50801	NUT, LOCK	20	20	20				
9	U3215-50751	NUT WHEEL	20	20	20			<---	
10	04013-50100B	WASHER	20	20	20				
11	U3210-63342	Cap-Wheel	4	4	4				

-----> Old replace New

<-X-> Not interchangeable

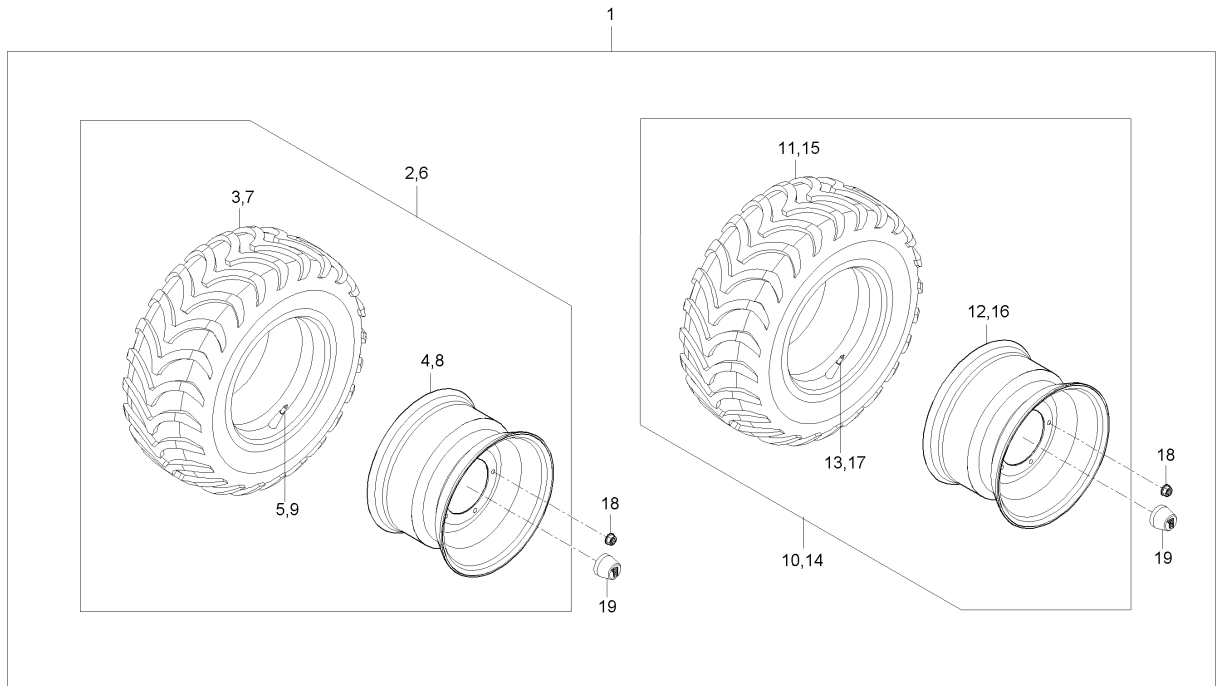
<-O> Interchangeable with another part(s)

<----- New replace Old

<-----> Interchangeable

U1-U3291A

Wheel & Tire Group(OPT-Mud)



A : MEC2230SW-EU , B : MEC2230SA-EU , C : MEC2230ST-EU

No.	Part Number	Description	Q'TY					I.C	Remark
			A	B	C	D	E		
1	U3210-63203	ASS'Y, WHEEL&TIRE(MUD)	1	1	1				
2	U3210-63251	Wheel & Tire Front - RH	2	2	2				
3	U3210-63111	Tire, FRT (25X10 R12)	1	1	1				
4	U3210-63121	Wheel-FRT	1	1	1				
5	U3210-63161	DIVIDER.CMP,FROW	1	1	1				
6	U3210-63241	Wheel & Tire Front - LH	2	2	2				
7	U3210-63111	Tire, FRT (25X10 R12)	1	1	1				
8	U3210-63121	Wheel-FRT	1	1	1				
9	U3210-63161	DIVIDER.CMP,FROW	1	1	1				
10	U3210-63271	Wheel & Tire Rear - RH	1	1	1				
11	U3210-63211	Tire, RR (25X11 R12)	1	1	1				
12	U3210-63221	Wheel-RR	1	1	1				
13	U3210-63161	DIVIDER.CMP,FROW	1	1	1				
14	U3210-63261	Wheel & Tire Rear - LH	1	1	1				
15	U3210-63211	Tire, RR (25X11 R12)	1	1	1				
16	U3210-63221	Wheel-RR	1	1	1				
17	U3210-63161	DIVIDER.CMP,FROW	1	1	1				
18	U3215-50801	NUT, LOCK	20	20	20				
19	U3210-63342	Cap-Wheel	4	4	4				

----> Old replace New

<-X-> Not interchangeable

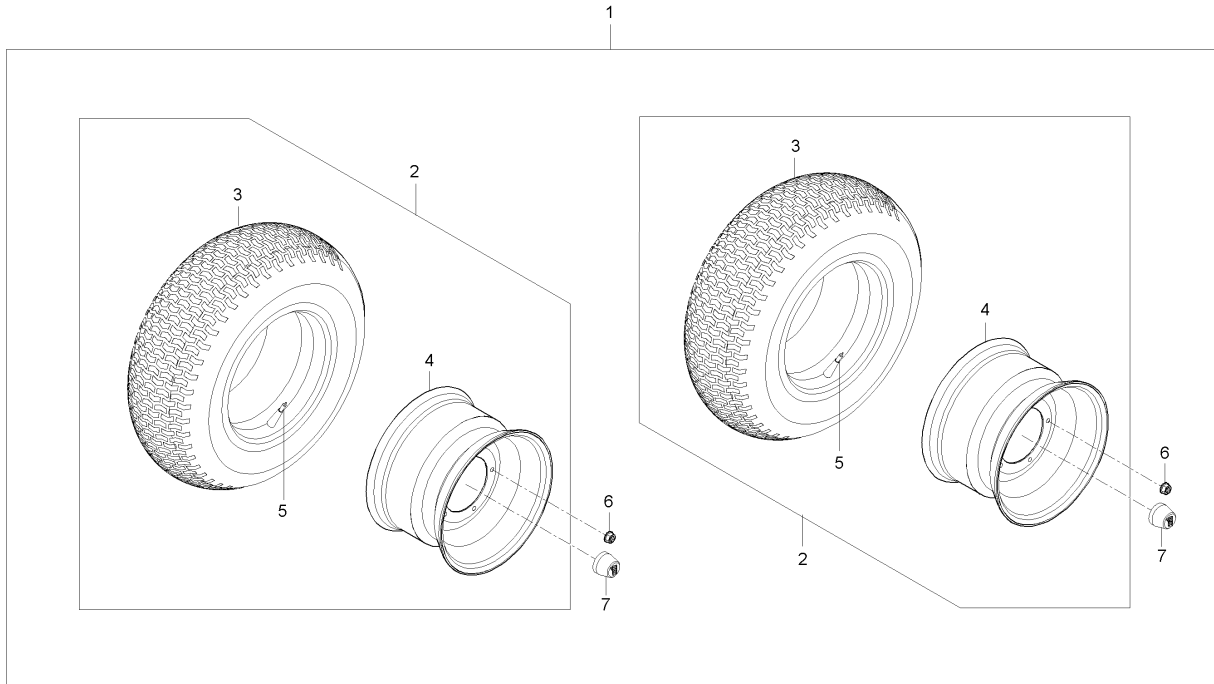
<-O-> Interchangeable with another part(s)

<--- New replace Old

<--- Interchangeable

U1-U3292A

Wheel & Tire Group(OPT-Turf)



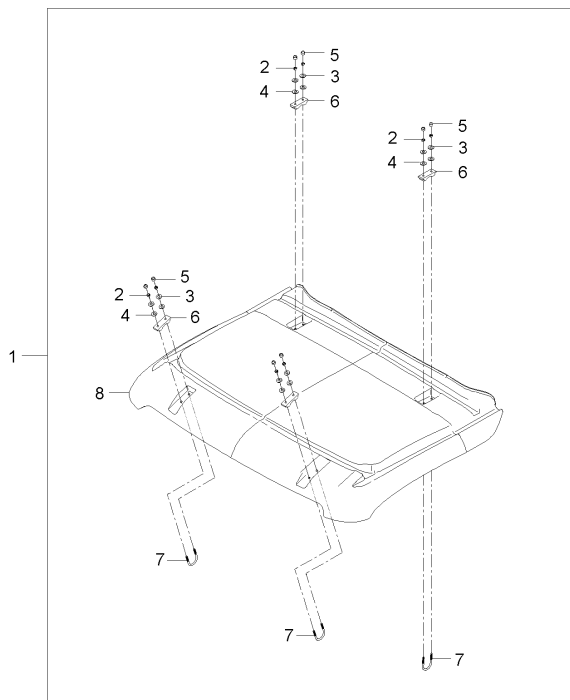
A : MEC2230SW-EU , B : MEC2230SA-EU , C : MEC2230ST-EU

No.	Part Number	Description	Q'TY					I.C	Remark
			A	B	C	D	E		
1	U3210-63303	ASSY, WHEEL&TIRE(TURF)	1	1	1				
2	U3210-63281	Wheel & Tire Front	4	4	4				
3	U3210-63411	TIRE, FRT(25X10 R12)	1	1	1				
4	U3210-63121	Wheel-FRT	1	1	1				
5	U3210-63161	DIVIDER.CMP,FROW	1	1	1				
6	U3215-50801	NUT, LOCK	20	20	20				
7	U3210-63342	Cap-Wheel	4	4	4				

----- Old replace New
 <-X-> Not interchangeable
 <-O-> Interchangeable with another part(s)
 <--- New replace Old
 <---> Interchangeable

U3300-GA10B

CANOPY GROUP



A : MEC2230SW-EU , B : MEC2230SA-EU , C : MEC2230ST-EU

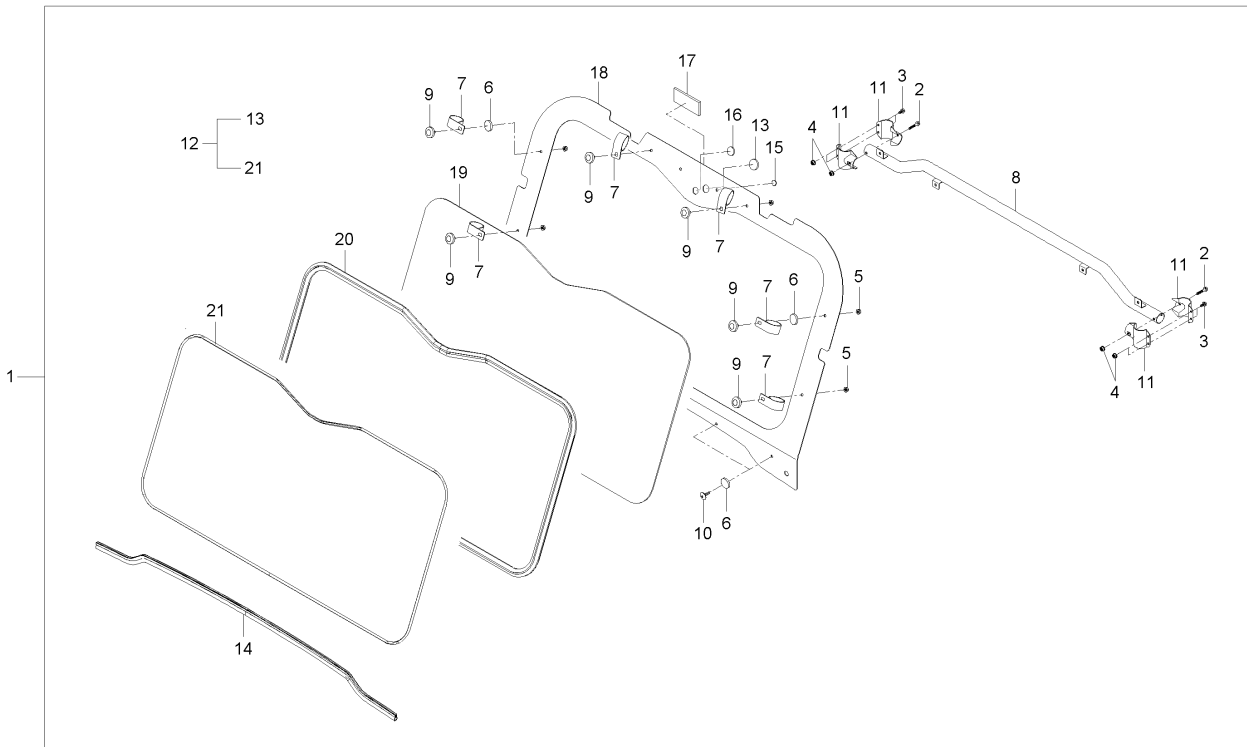
No.	Part Number	Description	Q'TY					I.C	Remark
			A	B	C	D	E		
1	U3300-A1002	ASSY, Canopy	1	1	1				
2	02056-50080B	NUT	8	8	8				
3	04015-50080B	WASHER	8	8	8				
4	T4520-87402	PACKING, 1	8	8	8				
5	T4815-93211	NUT	8	8	8				
6	U3215-97721	CANOPY BUMPER	4	4	4				
7	U3215-97793	Bolt - U Type (M8)	4	4	4				
8	U3300-A1012	CANOPY	1	1	1				

----> Old replace New
 <-X-> Not interchangeable
 <-O> Interchangeable with another part(s)

<---- New replace Old
 <---> Interchangeable

U3-U3931A

SAFTY GLASS GROUP



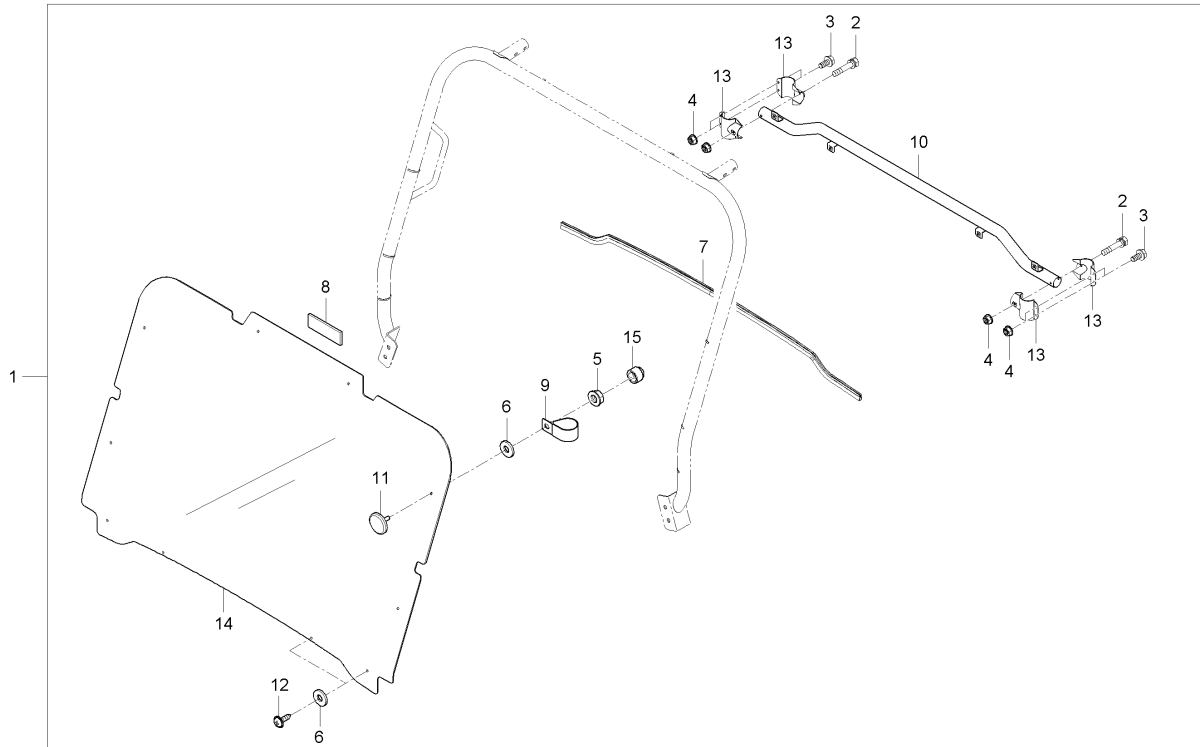
A : MEC2230SW-EU , B : MEC2230SA-EU , C : MEC2230ST-EU

No.	Part Number	Description	Q'TY					I.C	Remark
			A	B	C	D	E		
1	U3230-97352	SAFTY GLASS ASSY	1	1	1				
2	01025-50655B	BOLT	2	2	2				
3	01754-50612B	FLANGE BOLT	4	4	4				
4	02761-50060B	FLANGE NUT	6	6	6				
5	02763-50080B	FLANGE NUT	6	6	6				
6	T2610-80691	CUSHION	10	10	10				
7	U3215-97111	CLAMP	6	6	6				
8	U3215-97122	WIND SHIELD CONNECT	1	1	1				
9	U3215-97151	BOLT, CAP	6	6	6				
10	U3215-97161	SCREW	4	4	4				
11	U3215-97671	HEAD REST BAR CONNECT 2	4	4	4				
12	U3230-97403	ASSY, WIND SHIELD	1	1	1				
13	T2395-84411	GROMMET	1	1	1				
14	U3210-50381	WEATHERSTRIP,FRONT LOW	1	1	1				
15	U3210-97461	GROMMET	2	2	2				
16	U3210-97471	GROMMET	1	1	1				
17	U3215-72781	INSULATION-DUCT,FRAME	3	3	3				
18	U3230-97422	PANEL,WIND SHIELD	1	1	1				
19	U3230-97432	WIND SHIELD GLASS	1	1	1				

----> Old replace New
 <-X-> Not interchangeable
 <-O-> Interchangeable with another part(s)
 <--- New replace Old
 <---> Interchangeable

U3-U3932A

WIND SHIELD GROUP



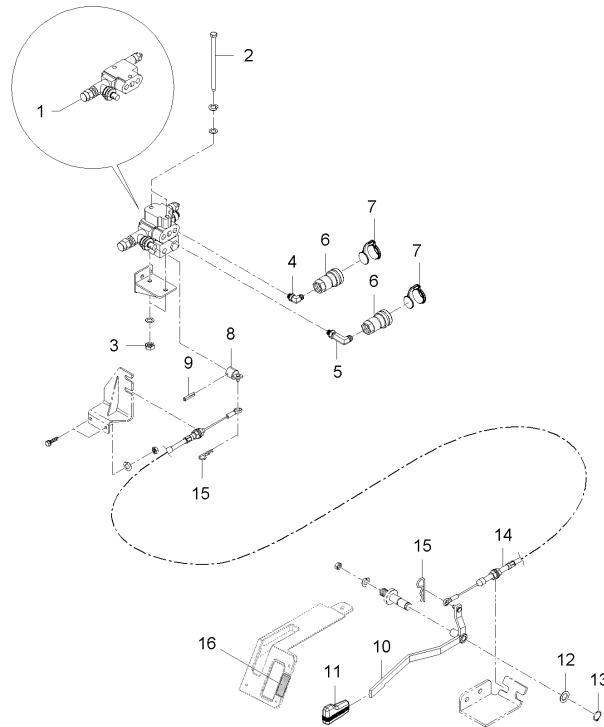
A : MEC2230SW-EU , B : MEC2230SA-EU , C : MEC2230ST-EU

No.	Part Number	Description	Q'TY					I.C	Remark
			A	B	C	D	E		
1	U3240-97002	ASSY, WIND SHIELD	1	1	1				
2	01025-50655B	BOLT	2	2	2				
3	01754-50612B	FLANGE BOLT	4	4	4				
4	02761-50060B	FLANGE NUT	6	6	6				
5	02763-50080B	FLANGE NUT	6	6	6				
6	T2610-80691	CUSHION	10	10	10				
7	U3210-50381	WEATHERSTRIP,FRONT LOW	1	1	1				
8	U3215-72781	INSULATION-DUCT,FRAME	1	1	1				
9	U3215-97111	CLAMP	6	6	6				
10	U3215-97122	WIND SHIELD CONNECT	1	1	1				
11	U3215-97151	BOLT, CAP	6	6	6				
12	U3215-97161	SCREW	4	4	4				
13	U3215-97671	HEAD REST BAR CONNECT 2	4	4	4				
14	U3240-97102	WIND SHIELD GLASS	1	1	1				
15	T4815-93211	NUT	6	6	6				

----- Old replace New
 <-X-> Not interchangeable
 <-O-> Interchangeable with another part(s)
 <--- New replace Old
 <---> Interchangeable

U1-U3941A

HYDRAULIC SYSTEM GROUP (2)-OPT

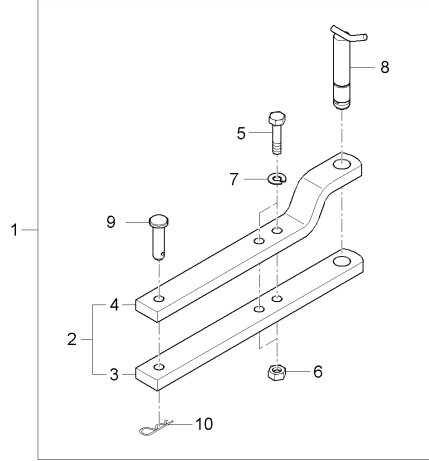


A : MEC2230SW-EU , B : MEC2230SA-EU , C : MEC2230ST-EU

No.	Part Number	Description	QTY					I.C	Remark
			A	B	C	D	E		
1	U3215-32432	DU-Sectional Valve	1	1	1				
2	U3215-32271	BOLT	2	2	2				
3	41182-5151-1	U-NUT	2	2	2				
4	U3215-33701	CONNECTOR B	1	1	1				
5	U3215-33801	CONNECTOR C	1	1	1				
6	U3215-33901	COUPLER	2	2	2				
7	U3215-33921	CAP	2	2	2				
8	U3215-32252	Adaptor - Control Valve	1	1	1				
9	05411-00630	PIN, SPRING	1	1	1			DI A6*30	
10	U3215-32352	Lever Assy - Deck. (Lever 2)	1	1	1				
11	T4260-24462	GRIP	1	1	1				
12	04013-50160	WASHER, PLAIN	1	1	1			M6	
13	04612-00160	SNAP RING	1	1	1				
14	U3215-32602	Cable Assy - Hyd	1	1	1				
15	05525-50800	PIN, SNAP	2	2	2				
16	U3210-85481	LABEL	1	1	1				

----> Old replace New
 <-X-> Not interchangeable
 <-O-> Interchangeable with another part(s)

<- - - - New replace Old
 <- - - - Interchangeable



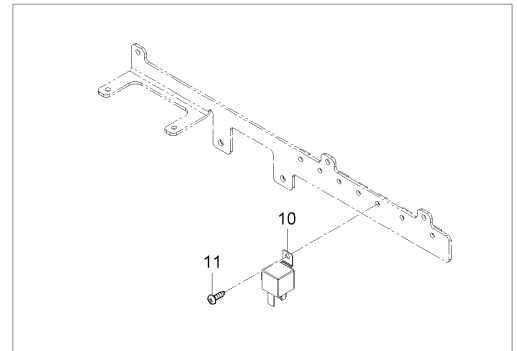
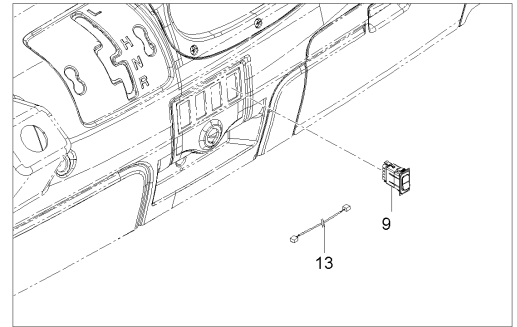
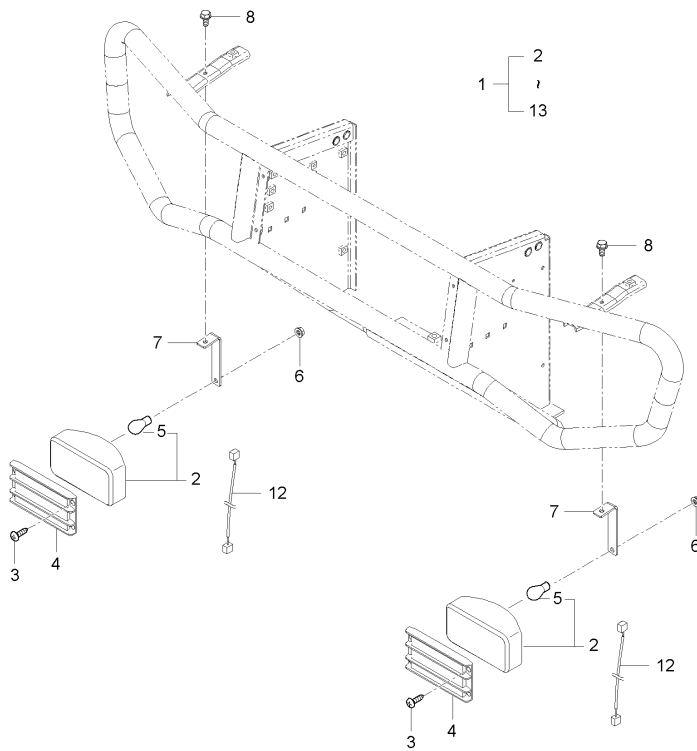
A : MEC2230SW-EU , B : MEC2230SA-EU , C : MEC2230ST-EU

No.	Part Number	Description	Q'TY					I.C	Remark
			A	B	C	D	E		
1	U3230-97303	SWING-DRAW-BAR KIT	1	1	1				
2	U3230-97313	SWING-DRAW-BAR ASSY	1	1	1				
3	U3230-97321	DRAW-BAR	1	1	1				
4	U3230-97333	BRACKET	1	1	1				
5	01176-51675	BOLT	2	2	2			M6*75*9T	
6	02076-50160	NUT	2	2	2				
7	04512-50160	WASHER, SPRING	2	2	2			M6	
8	T2611-29852	PIN, CONNECTING	1	1	1				
9	05122-51880	JOINT PIN	1	1	1				
10	05515-51600	PIN, SNAP	1	1	1				

<---> Old replace New
 <-X-> Not interchangeable
 <-O-> Interchangeable with another part(s)
 <---> New replace Old
 <---> Interchangeable

U3-U5650A

WORKING LAMP 2 GROUP(OPTION)



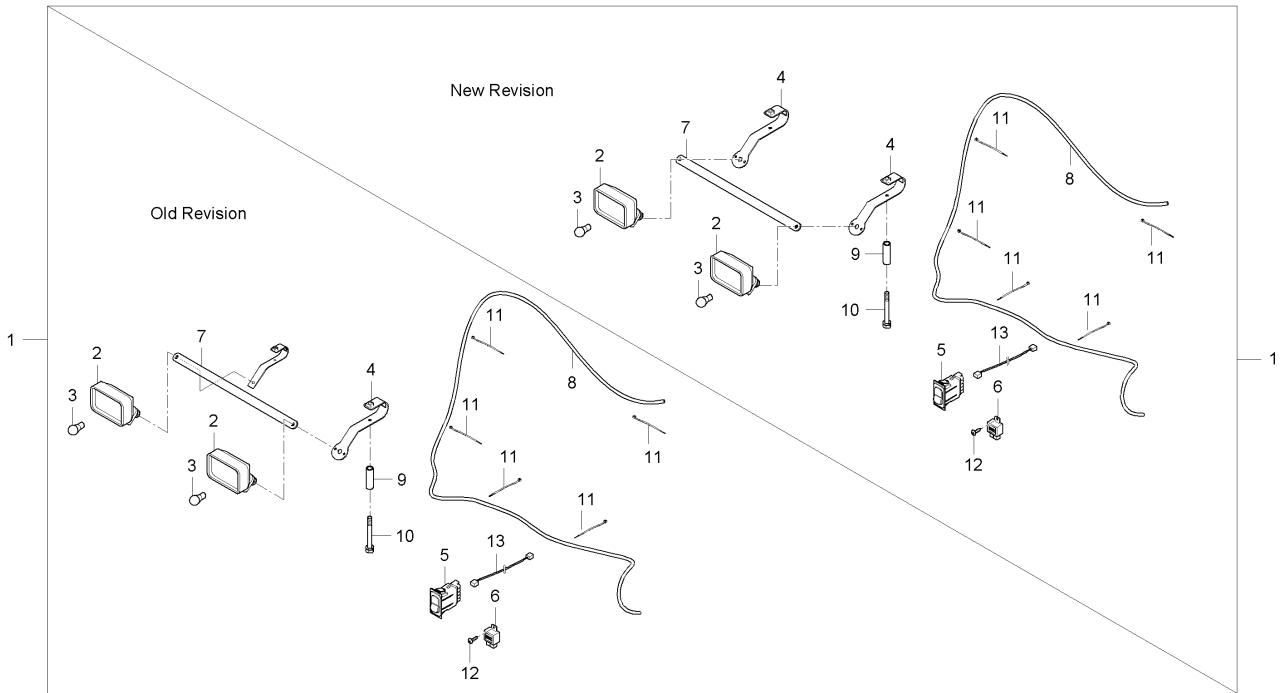
A : MEC2230SW-EU , B : MEC2230SA-EU , C : MEC2230ST-EU

No.	Part Number	Description	Q'TY					I.C	Remark
			A	B	C	D	E		
1	U3230-60251	WORKING LAMP KIT 2	1	1	1				
1	U3215-60254	ASSY, FOG LAMP	1	1	1			<--->	
2	P7170-68212	HEADLIGHT ASSY	2	2	2				
3	P7170-68211001	SCREW	4	4	4				
4	C7680-57111002	COVER	1	1	1				
5	T4620-69251	BULB, HALOGEN 12VX35W	1	1	1				
6	02763-50080B	FLANGE NUT	2	2	2				
7	U3215-60181	FOG LAMP BRACKET	2	2	2				
8	01754-50614B	BOLT,FLANGE	2	2	2				
9	U3215-60071	FOG LAMP SWITCH	1	1	1				
10	T4351-43101	ACCESSORY RELAY ASSY	1	1	1				
11	03054-50516B	BOLT	1	1	1				
12	U3215-60051	WIRE HARNESS, FOG LAMP LH	2	2	2				
13	U3215-60411	ASS'Y WIRE HARNESS SWITCH	1	1	1				

----> Old replace New
 <-X-> Not interchangeable
 <-O> Interchangeable with another part(s)
 <--- New replace Old
 <---> Interchangeable

U1-U5660A

WORKING LAMP GROUP(OPTION)



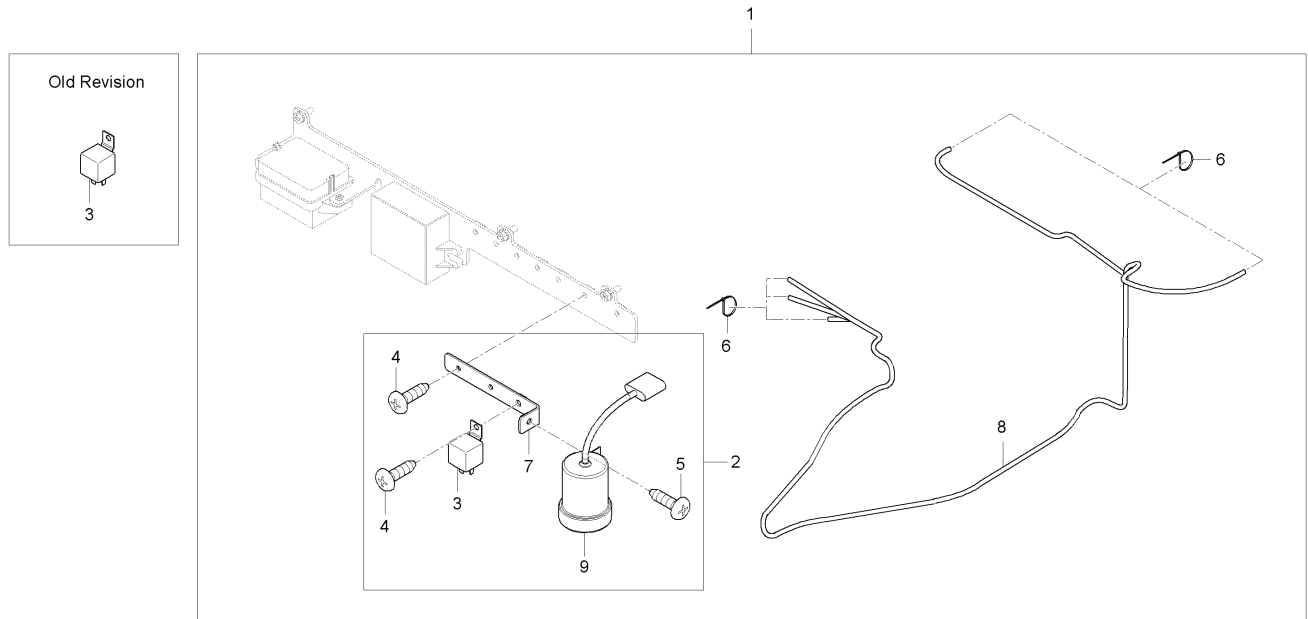
A : MEC2230SW-EU , B : MEC2230SA-EU , C : MEC2230ST-EU

No.	Part Number	Description	Q'TY					I.C	Remark
			A	B	C	D	E		
1	U3215-60304	WORKING LAMP KIT	1	1	1				
2	T4930-69802	WORKING LIGHT ASSY, FR	2	2	2				
3	T4620-69251	BULB, HALOGEN 12VX35W	1	1	1				
4	U3215-60362	WORKING LAMP CONN BRKT ASSY	2	2	2				
5	T4935-54221	SWITCH WORKING LAMP	1	1	1				
6	T4351-43101	ACCESSORY RELAY ASSY	1	1	1				
7	U3215-60381	GUADE, WORK LAMP BRACKET	1	1	1				
8	U3215-60391	ASSY WIRE HARNESS WORKING LAMP	1	1	1				
9	U3215-60401	BUSH	2	2	2				
10	01123-50865	BOLT, WASHER	2	2	2				
11	T2198-82561	BAND, CORD	7	7	7				
12	03054-50516	SCREW	1	1	1				
13	U3215-60411	ASSY WIRE HARNESS SWITCH	1	1	1				

<---> Old replace New
 <-X-> Not interchangeable
 <-O-> Interchangeable with another part(s)
 <---> New replace Old
 <---> Interchangeable

U1-U5670A

PARKING LOCK BUZZER GROUP(OPTION)



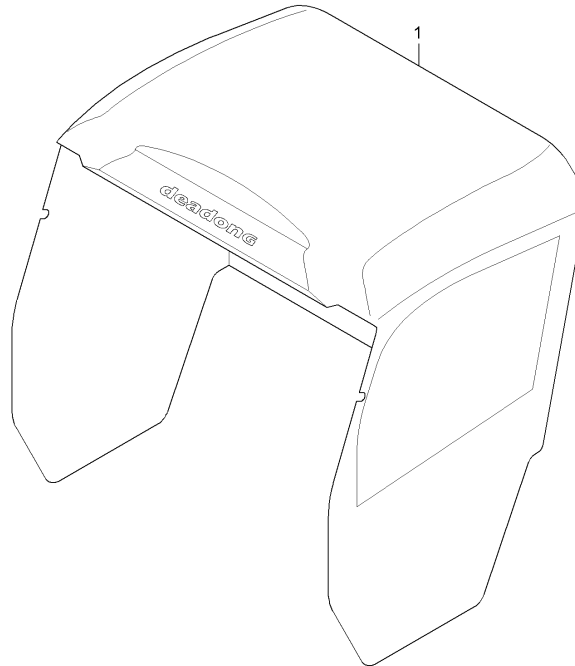
A : MEC2230SW-EU , B : MEC2230SA-EU , C : MEC2230ST-EU

No.	Part Number	Description	Q'TY					I.C	Remark
			A	B	C	D	E		
1	U3210-96164	PARKING BRAKE BUZZER KIT	1	1	1				
2	U3210-69144	PARKING BUZZER ASSY	1	1	1				
3	T4180-69961	RELAY(5P)	1	1	1				
3	T5535-69961	RELAY(5P)	1	1	1			<--->	
4	U3215-81552	Screw (Black)	2	2	2				
5	03054-50516B	BOLT	3	3	3				
6	T2185-82561	BAND,CORD	5	5	5				
7	U3210-69161	PARKING BUZZER BRKT ASSY	1	1	1				
8	U3215-69152	ASS'Y WIRE HARNESS BUZZER	1	1	1				
9	U3210-47211	BUZZER	1	1	1				

----> Old replace New
 <-X-> Not interchangeable
 <-O> Interchangeable with another part(s)
 <---- New replace Old
 <---> Interchangeable

U3-U5973A

SOFT CABIN(OPTION-DESERT-KIOTI)



A : MEC2230SW-EU , B : MEC2230SA-EU , C : MEC2230ST-EU

No.	Part Number	Description	Q'TY					I.C	Remark
			A	B	C	D	E		
1	U3230-96761	SOFT CAB KIT, CAMOUFLAGE	1	1	1				

----> Old replace New
 <-X-> Not interchangeable
 <-O-> Interchangeable with another part(s)

<--- New replace Old
 <---> Interchangeable

INDEX 1

PART NO.	PAGE	PART NO.	PAGE	PART NO.	PAGE	PART NO.	PAGE	PART NO.	PAGE
01023-50610	28	01125-50840	90	01754-50610	60	01811-50610	95	02761-50060	130
01023-50612	19	01125-50855B	60	01754-50610	143	01811-50615	137	02761-50060	143
01023-50614	13	01125-50860	82	01754-50612	23	02052-50040	133	02761-50060B	93
01023-50616	25	01125-50860B	60	01754-50612	92	02052-50040	144	02761-50060B	102
01023-50616	90	01125-50860B	143	01754-50612	95	02052-50160	128	02761-50060B	105
01023-50616	137	01125-50865	90	01754-50612B	152	02054-50030	138	02761-50060B	152
01023-50618	1	01125-50865	122	01754-50612B	154	02054-50040	91	02761-50060B	154
01023-50620	28	01125-50870	103	01754-50614B	157	02054-50050	129	02763-50080	4
01023-50625	6	01125-50875	61	01754-50616	23	02054-50050	132	02763-50080	62
01023-50625	9	01125-50895	89	01754-50616	27	02056-50060	20	02763-50080	79
01023-50628	24	01125-51035	90	01754-50616	63	02056-50060	21	02763-50080	80
01023-50630	6	01125-51035	109	01754-50616	71	02056-50060	28	02763-50080	92
01023-50630	28	01125-51060B	60	01754-50616	73	02056-50060	137	02763-50080	93
01023-50635	71	01125-51060B	143	01754-50616	75	02056-50080B	151	02763-50080	103
01023-50660	28	01127-50825	27	01754-50616	79	02076-50160	116	02763-50080	120
01023-50665	5	01133-51025	125	01754-50616	105	02076-50160	156	02763-50080	124
01023-50665	8	01133-51025B	98	01754-50616	127	02118-50100	62	02763-50080	125
01023-50670	5	01133-51030	17	01754-50616	129	02118-50100	73	02763-50080B	60
01023-50670	8	01133-51030	55	01754-50616	130	02156-50080	19	02763-50080B	98
01023-50675	5	01133-51040	45	01754-50616	132	02156-50080	62	02763-50080B	114
01023-50675	8	01133-51075	62	01754-50616	135	02156-50080	82	02763-50080B	117
01025-50612	137	01133-51245	125	01754-50616B	103	02156-50080	86	02763-50080B	133
01025-50614	105	01133-51275	61	01754-50616B	105	02156-50080	108	02763-50080B	146
01025-50618	109	01135-51020	61	01754-50616B	118	02156-50080	130	02763-50080B	152
01025-50618	121	01135-51020	89	01754-50616B	133	02156-50080	140	02763-50080B	154
01025-50620	34	01135-51025	53	01754-50616B	145	02174-50120	61	02763-50080B	157
01025-50635	75	01135-51025	55	01754-50620	21	02174-50120	140	02771-50100	55
01025-50638	121	01135-51025	73	01754-50625	65	02176-50100	17	02771-50100	111
01025-50655B	152	01135-51030	55	01754-50625	103	02176-50100	57	02783-50100	59
01025-50655B	154	01135-51030	61	01754-50625B	133	02176-50100	83	02783-50100	77
01027-50616	138	01135-51035	50	01754-50625B	144	02176-50100	88	02783-50100	90
01123-50814	25	01135-51230B	60	01754-50812	65	02176-50100	109	02783-50100	111
01123-50816	4	01135-51230B	143	01754-50816	25	02176-50100	140	02783-50100	125
01123-50816	43	01153-50812	65	01754-50816	73	02176-50100B	98	02783-50120	61
01123-50816	49	01153-50822	71	01754-50816	93	02176-50100B	143	03014-50608	28
01123-50816	133	01153-50822	74	01754-50816	94	02176-50120	66	03016-50620	82
01123-50816	146	01153-50855	79	01754-50816	102	02176-50120	89	03024-50414B	117
01123-50818	20	01155-51020	35	01754-50816B	98	02176-50120B	118	03024-50420	134
01123-50822	108	01155-51020	36	01754-50816B	133	02176-50140	114	03024-50420	144
01123-50822	124	01155-51020	50	01754-50816B	135	02372-50100	89	03024-50520	18
01123-50822	125	01173-51055	57	01754-50816B	145	02376-50100	83	03054-50316	138
01123-50825B	105	01173-51075	76	01754-50820	25	02376-50140	65	03054-50412B	59
01123-50830	20	01173-51080	111	01754-50820	63	02751-50060	21	03054-50412B	133
01123-50835	110	01176-51070	88	01754-50820	90	02751-50060	22	03054-50412B	145
01123-50845	80	01176-51245	115	01754-50820	91	02751-50060	73	03054-50416	134
01123-50865	158	01176-51245	119	01754-50820	140	02751-50080	135	03054-50416	144
01125-50816	25	01176-51675	116	01754-50822	10	02761-50040	18	03054-50512	79
01125-50816	27	01176-51675	156	01754-50825	10	02761-50040B	117	03054-50516	77
01125-50820	53	01205-50616	95	01754-50825	65	02761-50040B	133	03054-50516	135
01125-50820	59	01513-50614	6	01754-50825	120	02761-50040B	144	03054-50516	158
01125-50820	88	01513-50614	8	01754-50835	25	02761-50050	105	03054-50516B	59
01125-50820	89	01513-50618	6	01754-50865B	102	02761-50060	5	03054-50516B	127
01125-50825	71	01513-50618	20	01754-50865B	135	02761-50060	8	03054-50516B	133
01125-50825	75	01513-50620	4	01774-51020	85	02761-50060	25	03054-50516B	145
01125-50825	92	01513-50655	25	01774-51020	111	02761-50060	60	03054-50516B	157
01125-50825B	98	01513-50822	4	01774-51020	129	02761-50060	71	03054-50516B	159
01125-50830	34	01513-50822	19	01774-51020	132	02761-50060	78	03054-50540	133
01125-50830	45	01517-51028	17	01774-51035	27	02761-50060	85	03054-50540	146
01125-50830	80	01654-50618	13	01774-51045	27	02761-50060	103	03054-50612	106
01125-50830	89	01654-50820	3	01774-51045	59	02761-50060	127	03650-50612	126

PART NO.	PAGE	PART NO.	PAGE	PART NO.	PAGE	PART NO.	PAGE	PART NO.	PAGE
04011-50100	73	04512-50080	86	04811-50600	53	07918-00001	21	31365-2278-1	42
04011-50140	114	04512-50080	108	04814-06310	22	08101-06005	53	34150-2156-1	39
04012-50050	18	04512-50080	130	05012-00609	1	08101-06204	37	34150-2156-1	41
04012-50080	63	04512-50080	140	05012-00814	1	08101-06204	38	34150-2939-1	60
04012-50080	77	04512-50100	17	05012-00818	34	08101-06204	39	34150-2939-1	92
04013-50050	127	04512-50100	57	05122-50650	103	08101-06205	37	34150-2939-1	135
04013-50060	28	04512-50100	83	05122-50818	73	08101-06205	41	34150-2939-1	141
04013-50060	79	04512-50100	88	05122-50845	63	08101-06205	42	34150-2939-1	143
04013-50060	137	04512-50100	140	05122-51022	76	08101-06304	42	34220-1451-2	49
04013-50060B	118	04512-50120	61	05122-51025	111	08103-06004	19	35820-7556-1	127
04013-50080	25	04512-50120	89	05122-51880	116	08121-06001	14	36919-5665-1	127
04013-50080	62	04512-50120	115	05122-51880	156	08141-06002	90	37150-3447-1	92
04013-50080	65	04512-50120	119	05411-00420	21	08141-06203	90	37155-3447-1	27
04013-50080	82	04512-50120	140	05411-00430	46	08153-06004	19	37300-2648-1	46
04013-50080	86	04512-50160	116	05411-00525	106	08241-05204	109	37300-2649-1	46
04013-50080B	60	04512-50160	156	05411-00625	43	08711-30205	32	37300-2817-2	46
04013-50080B	143	04611-00320	90	05411-00630	142	08812-83520	46	37800-4387-1	46
04013-50100	45	04611-00400	90	05411-00630	155	08822-02413	38	38240-1883-1	104
04013-50100	57	04611-00450	52	05411-00640	58	08822-52913	38	38240-2647-2	46
04013-50100	62	04611-00520	32	05411-00840	58	08822-53013	42	38245-2925-3	97
04013-50100	69	04611-00650	82	05511-50210	103	08822-53017	42	38245-2925-3	101
04013-50100	76	04611-00750	87	05511-50218	106	09318-87040	95	38430-2155-1	39
04013-50100	83	04612-00130	11	05511-50318	83	09318-87051	93	38440-4424-0	32
04013-50100	88	04612-00150	90	05511-50318	89	09318-87051	95	38630-4329-2	47
04013-50100	89	04612-00160	140	05511-50325	65	09318-88080	18	41182-5151-1	76
04013-50100	111	04612-00160	142	05511-50435	53	09318-88080	92	41182-5151-1	142
04013-50100B	67	04612-00160	155	05511-50435	56	09318-88140	25	41182-5151-1	155
04013-50100B	143	04612-00170	90	05511-51612	137	09318-88180	12	44366-8221-2	62
04013-50100B	148	04612-00180	13	05515-51600	116	09318-89035	91	52200-2523-1	110
04013-50120	61	04612-00180	19	05515-51600	125	09318-89058	93	52200-2523-1	124
04013-50120	106	04612-00190	19	05515-51600	139	09318-89063	66	52200-2523-1	139
04013-50120	125	04612-00190	108	05515-51600	156	09500-35528	109	52300-3413-1	76
04013-50120B	60	04612-00200	109	05525-50600	79	09550-00008	5	52794-4242-1	129
04013-50120B	118	04612-00240	38	05525-50600	118	09550-00008	8	53415-4128-1	102
04013-50120B	143	04612-00250	53	05525-50800	63	09661-40200	18	55511-2118-3	129
04013-50160	89	04612-00300	41	05525-50800	73	1393A-9YX	64	55511-2118-3	132
04013-50160	125	04714-00100	108	05525-50800	77	14911-4275-1	20	82KC-0641	104
04013-50160	128	04717-01600	34	05525-50800	106	14911-4275-1	33	84612-4315-1	91
04013-50160	140	04717-01600	45	05525-50800	140	14911-4275-1	34	84612-4393-0	91
04013-50160	142	04717-01600	50	05525-50800	142	14911-4275-1	36	AA0000191	94
04013-50160	155	04717-02000	34	05525-50800	155	14911-4275-1	45	C7130-23471	38
04013-50180	53	04724-00140	22	05525-51000	111	14911-4275-1	50	C7130-61781	98
04013-50200	139	04810-00150	5	05712-00408	2	14911-4275-1	57	C7280-89211	135
04014-50080	10	04810-00150	8	05712-00515	13	14911-4275-1	66	C7680-57111002	157
04014-50100	78	04811-00060	22	05712-00515	14	14911-4275-1	92	C7910-42204	130
04015-50080	27	04811-00120	44	05712-00515	16	14971-4275-1	94	C7910-42205	130
04015-50080	77	04811-00120	105	05712-00515	27	15121-5385-2	18	E1100-33752	3
04015-50080	80	04811-00140	3	05712-00520	19	15221-0175-1	4	E5205-03371	4
04015-50080B	151	04811-00150	44	06311-75015	1	15221-3365-1	1	E5205-04561	10
04015-50100	111	04811-00180	43	06311-75040	1	15241-3695-2	5	E5205-13152	11
04111-50080	49	04811-00180	49	06312-10020	1	15241-3695-2	8	E5205-13241	11
04512-50040	91	04811-00650	92	06331-35010	108	15321-5216-1	19	E5205-13542	4
04512-50050	129	04811-05140	6	06331-35016	34	15321-9626-3	1	E5205-13562	4
04512-50050	132	04811-06130	5	06331-35016	45	15321-9626-3	4	E5205-14241	11
04512-50060	20	04811-06130	8	06331-35016	50	15371-4217-0	20	E5205-16272	13
04512-50060	28	04811-10220	15	06331-35020	34	15471-5798-1	21	E5205-16321	19
04512-50080	4	04811-10220	16	06613-10675	82	15521-5642-1	24	E5205-16511	13
04512-50080	19	04811-10290	92	07715-03213	5	15531-7242-2	95	E5205-21331	14
04512-50080	62	04811-10800	109	07715-03213	8	15532-7243-2	95	E5205-21331	16
04512-50080	65	04811-50300	12	07811-10820	21	31220-2639-2	46	E5205-21354	14

PART NO.	PAGE	PART NO.	PAGE	PART NO.	PAGE	PART NO.	PAGE	PART NO.	PAGE
E5205-21354	16	E5700-56413	24	E5760-21151	14	E5763-99503	31	E6510-33661	12
E5205-23311	14	E5700-56414	24	E5760-21151	16	E5763-A0013	1	E6820-60011	22
E5205-23311	16	E5700-72922	25	E5760-21311	14	E5763-A0304	4	E6850-57312	22
E5205-23361	27	E5700-73342	6	E5760-21311	16	E5770-03451	4	E6850-57313	22
E5205-24012	13	E5700-73342	9	E5760-22013	14	E5770-11821	28	E7240-32731	26
E5205-24112	14	E5700-73342	25	E5760-22013	16	E5770-14501	12	E7310-36431	3
E5205-24112	16	E5700-73352	25	E5760-22143	14	E5770-14502	12	E8103-52111	19
E5205-24281	13	E5700-73922	1	E5760-22143	16	E5770-72531	27	EF15-0003A	1
E5205-24321	13	E5700-91094	3	E5760-22311	14	E5775-04621	17	K5400-14571	39
E5205-24361	13	E5700-A0021	19	E5760-22311	16	E5775-11762	28	K5400-14572	39
E5205-24371	13	E5743-25161	17	E5760-23011	14	E5775-12211	28	K5400-14581	39
E5205-32091	5	E5752-14521	12	E5760-23011	16	E5775-12311	28	K5400-14591	39
E5205-32091	8	E5752-14522	12	E5760-23012	14	E5775-25012	17	P4410-98251	141
E5205-32291	5	E5752-14562	12	E5760-23012	16	E5775-32111	3	P5370-29891	27
E5205-32291	8	E5752-18171	7	E5760-23471	2	E5775-52031	20	P7170-68211001	157
E5205-33961	1	E5752-18171	9	E5760-23481	10	E5775-53711	18	P7170-68212	157
E5205-36481	108	E5752-35692	3	E5760-23531	10	E5775-53721	18	T2185-21661	39
E5205-54271	22	E5752-36412	3	E5760-23541	10	E5775-53731	18	T2185-21671	39
E5205-72951	6	E5752-36422	3	E5760-33111	22	E5775-73062	25	T2185-33651	127
E5205-72951	9	E5752-74251ED	27	E5760-36332	20	E5775-74121	27	T2185-43861	47
E5205-73523	6	E5752-91031	5	E5760-36332	108	E5775-99011	29	T2185-43871	47
E5205-73523	9	E5752-91031	8	E5760-42502	18	E5775-A0072	3	T2185-43881	47
E5205-73524	6	E5752-91141	17	E5760-53001	18	E5776-99011	30	T2185-43891	47
E5205-73524	9	E5752-91501	11	E5760-54123	21	E5800-52111	19	T2185-43901	47
E5205-73551	6	E5753-14001	11	E5760-54263	22	E5800-72711	94	T2185-51462	104
E5205-73551	9	E5753-14051	11	E5760-56021	24	E5800-73011	25	T2185-69071	133
E5205-73911	1	E5753-14111	11	E5760-56052	24	E5800-73052	6	T2185-69071	145
E5205-91021	1	E5753-14311	11	E5760-56481	22	E5800-73052	9	T2185-82561	117
E5250-63821	17	E5753-14351	11	E5760-56602	22	E5850-54252	22	T2185-82561	129
E5500-33142	12	E5753-14431	11	E5760-57151	21	E5850-54272	22	T2185-82561	132
E5500-33671	12	E5753-35681	2	E5760-57482	23	E5850-54282	22	T2185-82561	133
E5500-33702	1	E5753-57281	21	E5760-63011	17	E5850-54291	22	T2185-82561	135
E5500-35681	12	E5760-01751	4	E5760-64423	25	E5850-57112	21	T2185-82561	145
E5500-39013	2	E5760-03141	4	E5760-64431	27	E5850-57212	21	T2185-82561	159
E5500-51662	23	E5760-03314	4	E5760-64441	27	E5850-57212	22	T2185-95612	133
E5500-73272	25	E5760-04043	10	E5760-64451	27	E5850-57921	21	T2185-95612	146
E5500-74213	25	E5760-04053	10	E5760-65511	18	E5850-57922	21	T2198-82551	71
E5603-52111	19	E5760-04063	10	E5760-65562	18	E5850-92011	22	T2198-82551	92
E5700-01624	3	E5760-04114	5	E5760-72872	7	E5900-96021	1	T2198-82551	94
E5700-12362	28	E5760-04132	5	E5760-72872	9	E5900-96021	4	T2198-82551	99
E5700-13332	11	E5760-04133	8	E5760-72913	25	E5900-96031	1	T2198-82551	129
E5700-14232	11	E5760-04361	10	E5760-73032	6	E5900-96031	5	T2198-82551	132
E5700-15552	13	E5760-04461	10	E5760-73032	9	E5900-96031	8	T2198-82551	133
E5700-21105	14	E5760-04811	10	E5760-73033	6	E6200-52142	20	T2198-82551	141
E5700-21105	16	E5760-04822	10	E5760-73033	9	E6213-64012	27	T2198-82551	145
E5700-23252	14	E5760-13111	11	E5760-73042	6	E6300-53005	18	T2198-82561	109
E5700-23252	16	E5760-13121	11	E5760-73042	9	E6300-53021	18	T2198-82561	122
E5700-24252	13	E5760-14511	12	E5760-73043	6	E6300-53621	18	T2198-82561	137
E5700-32313	6	E5760-15111	13	E5760-73043	9	E6300-53651	18	T2198-82561	138
E5700-35012	1	E5760-16011	13	E5760-73432	6	E6303-33661	3	T2198-82561	158
E5700-35154	1	E5760-16171	19	E5760-73432	9	E6305-54221	21	T2198-82571	132
E5700-35662	2	E5760-16211	20	E5760-73512	6	E6305-54281	21	T2240-26354	46
E5700-36071	5	E5760-21001	14	E5760-73512	9	E6305-54421	21	T2240-26355	46
E5700-36071	8	E5760-21001	16	E5760-73551	6	E6305-92021	21	T2305-25241	38
E5700-36911	5	E5760-21011	14	E5760-73551	9	E6305-93041	31	T2305-26061	47
E5700-36911	8	E5760-21011	16	E5760-74282	27	E6305-96652	21	T2305-26071	47
E5700-36932	5	E5760-21051	14	E5760-A0205	5	E6500-42413	19	T2305-26081	47
E5700-36932	8	E5760-21051	16	E5760-A0205	8	E6510-05511	12	T2305-44281	43
E5700-51016	19	E5760-21111	14	E5761-04541	10	E6510-05552	12	T2305-44281	49
E5700-51162	17	E5760-21111	16	E5763-13361	11	E6510-05552	28	T2350-11612	93

PART NO.	PAGE	PART NO.	PAGE	PART NO.	PAGE	PART NO.	PAGE	PART NO.	PAGE
T2350-11631	93	T2615-54112	112	T4711-33611	127	U3210-27661	102	U3210-59151	89
T2350-11641	93	T2670-60091	118	T4715-47071	139	U3210-27662	102	U3210-59162	90
T2350-11651	93	T4025-68301	96	T4810-21621	47	U3210-27701	85	U3210-59413	89
T2350-13601004	94	T4025-68351	134	T4810-46962	139	U3210-27851	85	U3210-59421	89
T2350-13601006	95	T4025-68351	145	T4810-46971	139	U3210-27902	85	U3210-59431	90
T2350-13611	95	T4121-31053	134	T4810-69251	138	U3210-29011	64	U3210-59442	90
T2350-25361	32	T4121-31053	145	T4815-65511	73	U3210-29021	64	U3210-63102	148
T2350-42451	32	T4121-31054	145	T4815-67371	18	U3210-29022	64	U3210-63104	148
T2350-42461	32	T4144-75952	134	T4815-82421	135	U3210-29062	64	U3210-63111	68
T2350-42471	32	T4144-75952	145	T4815-93211	98	U3210-29071	64	U3210-63111	149
T2350-42481	32	T4144-85721	105	T4815-93211	117	U3210-29141	64	U3210-63121	67
T2350-42491	32	T4145-69331	129	T4815-93211	151	U3210-29911	65	U3210-63121	69
T2350-42751	32	T4180-69951	127	T4815-93211	154	U3210-29953	65	U3210-63121	70
T2350-42761	32	T4180-69961	127	T4835-17241	118	U3210-34011	109	U3210-63121	148
T2350-42771	32	T4180-69961	135	T4835-82431	135	U3210-34021	109	U3210-63121	149
T2350-42781	32	T4180-69961	159	T4850-45161	109	U3210-34031	109	U3210-63121	150
T2350-42791	32	T4240-43134	91	T4876-45162	124	U3210-34041	108	U3210-63122	67
T2350-42801	32	T4260-24462	140	T4920-70471	135	U3210-34051	110	U3210-63122	148
T2350-55454	89	T4260-24462	142	T4930-69802	158	U3210-34061	109	U3210-63151	67
T2350-55462	89	T4260-24462	155	T4931-48011	110	U3210-34072	110	U3210-63151	148
T2350-69551	131	T4260-33631	127	T4935-54221	158	U3210-34111	109	U3210-63161	67
T2350-69571	131	T4340-87181	135	T4935-54232	135	U3210-34121	109	U3210-63161	69
T2350-76021	108	T4351-43101	127	T4935-92502	96	U3210-34131	109	U3210-63161	70
T2350-76031	108	T4351-43101	157	T5210-32009	47	U3210-34141	109	U3210-63161	148
T2350-76041	108	T4351-43101	158	T5210-32010	47	U3210-34161	109	U3210-63161	149
T2368-69024	96	T4520-41821	134	T5210-37531	139	U3210-34212	139	U3210-63161	150
T2368-69025	96	T4520-41821	144	T5210-68552	137	U3210-35611	61	U3210-63171	67
T2368-76001	108	T4520-42421	51	T5210-68553	137	U3210-35642	61	U3210-63171	148
T2380-50272	99	T4520-43011	51	T5210-69401	128	U3210-35661	61	U3210-63203	149
T2380-87132	108	T4520-43021	51	T5270-69913	135	U3210-35681	61	U3210-63211	69
T2395-84411	152	T4520-43031	51	T5515-75172	96	U3210-35711	61	U3210-63211	149
T2610-22661	39	T4520-43041	51	T5517-77711	82	U3210-35731	61	U3210-63221	69
T2610-80691	135	T4520-43051	51	T5520-75171	96	U3210-35751	61	U3210-63221	70
T2610-80691	152	T4520-43061	52	T5520-75191	96	U3210-35771	61	U3210-63221	148
T2610-80691	154	T4520-43071	51	T5535-69951	127	U3210-35791	61	U3210-63221	149
T2611-29852	116	T4520-43081	51	T5535-69961	135	U3210-35811	61	U3210-63241	68
T2611-29852	156	T4520-43091	51	T5535-69961	159	U3210-35851	62	U3210-63241	149
T2611-50041	115	T4520-43111	51	T8101-75520	41	U3210-36051	59	U3210-63251	68
T2611-50041	119	T4520-43151	51	T8101-75530	41	U3210-36102	59	U3210-63251	149
T2611-54823	91	T4520-43171	51	T8101-75540	41	U3210-36103	59	U3210-63261	68
T2611-69061	133	T4520-43181	51	U3210-06204	39	U3210-36111	59	U3210-63261	149
T2611-69061	145	T4520-87402	151	U3210-19021	54	U3210-36112	59	U3210-63271	69
T2611-69933	133	T4620-43122	51	U3210-19041	53	U3210-36311	59	U3210-63271	149
T2611-69933	145	T4620-50701	104	U3210-19071	53	U3210-36351	59	U3210-63281	70
T2611-75712	117	T4620-66161	139	U3210-19081	53	U3210-36861	60	U3210-63281	150
T2611-75782	134	T4620-69251	157	U3210-19211	55	U3210-36861	143	U3210-63291	70
T2611-75782	144	T4620-69251	158	U3210-19212	55	U3210-47211	159	U3210-63303	150
T2611-75792	134	T4620-69472	129	U3210-19271	55	U3210-50381	152	U3210-63321	67
T2611-75792	144	T4620-69472	132	U3210-19291	55	U3210-50381	154	U3210-63321	148
T2611-75882	133	T4620-75191	96	U3210-19292	55	U3210-50511	83	U3210-63331	148
T2611-75882	144	T4625-52351	112	U3210-19421	56	U3210-50511	87	U3210-63342	67
T2611-75892	134	T4625-52361	112	U3210-19461	56	U3210-52105	82	U3210-63342	69
T2611-75892	144	T4682-25732	91	U3210-19471	56	U3210-52505	83	U3210-63342	70
T2611-79011	134	T4682-43132	51	U3210-19481	56	U3210-54002	88	U3210-63342	148
T2611-79011	145	T4682-43172	91	U3210-19612	58	U3210-54102	88	U3210-63342	149
T2611-79021	117	T4682-43561	34	U3210-21641	85	U3210-55005	86	U3210-63342	150
T2611-79021	134	T4682-43571	34	U3210-26202	90	U3210-55105	86	U3210-63351	67
T2611-79021	144	T4682-43581	35	U3210-27101	85	U3210-55505	86	U3210-63351	148
T2611-79041	133	T4682-69401	128	U3210-27522	85	U3210-55605	86	U3210-63352	67
T2611-79041	145	T4686-50963	95	U3210-27601	85	U3210-59123	89	U3210-63352	148

PART NO.	PAGE	PART NO.	PAGE	PART NO.	PAGE	PART NO.	PAGE	PART NO.	PAGE
U3210-63391	67	U3210-91162	117	U3215-12551	41	U3215-17211	44	U3215-33801	142
U3210-63391	148	U3210-96164	159	U3215-12612	42	U3215-17231	44	U3215-33801	155
U3210-63411	70	U3210-97261	135	U3215-12621	42	U3215-17232	44	U3215-33901	123
U3210-63411	150	U3210-97271	136	U3215-12631	43	U3215-17251	44	U3215-33901	155
U3210-63421	70	U3210-97461	152	U3215-12641	43	U3215-17421	44	U3215-33902	142
U3210-63651	68	U3210-97471	152	U3215-12641	49	U3215-17431	44	U3215-33911	123
U3210-63661	69	U3210-98303	106	U3215-12651	42	U3215-17442	44	U3215-33911	125
U3210-63691	69	U3210-99251	106	U3215-12682	43	U3215-17451	44	U3215-33921	123
U3210-64103	77	U3210-99733	106	U3215-13144	45	U3215-18212	44	U3215-33921	142
U3210-64113	77	U3210-99734	106	U3215-13145	45	U3215-18314	44	U3215-33921	155
U3210-64132	77	U3210-99751	106	U3215-13211	48	U3215-18351	44	U3215-33931	123
U3210-64171	77	U3210-99793	106	U3215-13221	45	U3215-19001	53	U3215-33931	125
U3210-64191	77	U3210-99811	106	U3215-13221	55	U3215-19001015	54	U3215-33951	123
U3210-64221	77	U3210-99831	106	U3215-13303	45	U3215-19002	53	U3215-40001	71
U3210-64261	77	U3210-99851	106	U3215-13511	45	U3215-19061	53	U3215-40001	74
U3210-64281	77	U3210-99904	105	U3215-14103	46	U3215-19062	53	U3215-40001001	71
U3210-64311	77	U3210-99905	105	U3215-14104	46	U3215-19411	56	U3215-40001002	71
U3210-64331	77	U3210-99906	105	U3215-14111	46	U3215-19441	56	U3215-40001002	74
U3210-64351	77	U3210-99913	105	U3215-14122	46	U3215-22351	73	U3215-40001003	71
U3210-64371	71	U3210-99952	105	U3215-14132	46	U3215-22351	141	U3215-40001003	74
U3210-64371	75	U3210-99953	105	U3215-14171	46	U3215-23121	70	U3215-40001004	71
U3210-64371	77	U3210-99974	105	U3215-14201	46	U3215-23221	67	U3215-40001004	74
U3210-64391	78	U3210-99975	105	U3215-14211	46	U3215-23282	70	U3215-40001005	71
U3210-64402	78	U3210-99976	105	U3215-14311	46	U3215-23412	70	U3215-40001005	74
U3210-64411	78	U3214-29302	65	U3215-14552	49	U3215-26051	59	U3215-40001006	71
U3210-64431	78	U3214-29341	66	U3215-14561	49	U3215-29104	65	U3215-40001006	74
U3210-64461	78	U3214-29351	66	U3215-14571	49	U3215-29352	66	U3215-40001007	71
U3210-64481	79	U3214-85591	118	U3215-14601	47	U3215-29721	65	U3215-40001007	74
U3210-64491	79	U3214-A1001	147	U3215-14611	47	U3215-29751	65	U3215-40001008	71
U3210-64511	79	U3214-A1011	147	U3215-14621	47	U3215-29771	65	U3215-40001008	74
U3210-64531	78	U3215-04931	34	U3215-14631	47	U3215-29772	65	U3215-40001009	71
U3210-64551	63	U3215-10031	87	U3215-14641	47	U3215-29801	65	U3215-40001009	74
U3210-64551	71	U3215-11142	34	U3215-14651	47	U3215-29901	65	U3215-40001010	71
U3210-64551	79	U3215-11303	34	U3215-15141	50	U3215-29931	65	U3215-40001010	74
U3210-64571	78	U3215-11702	34	U3215-15302	50	U3215-30941	125	U3215-40011	74
U3210-64591	79	U3215-11801	34	U3215-16141	51	U3215-31155	108	U3215-40101	72
U3210-64612	79	U3215-12104	37	U3215-16161	51	U3215-31156	108	U3215-40101	74
U3210-64631	79	U3215-12114	37	U3215-16211	32	U3215-31803	139	U3215-41106	74
U3210-64662	79	U3215-12121	37	U3215-16302	51	U3215-31902	139	U3215-41107	74
U3210-64813	63	U3215-12131	37	U3215-16311	51	U3215-32001	139	U3215-41121	74
U3210-64851	63	U3215-12151	37	U3215-16411	53	U3215-32252	139	U3215-41202	72
U3210-64871	63	U3215-12211	38	U3215-16501	52	U3215-32252	142	U3215-41202	74
U3210-64911	63	U3215-12221	38	U3215-16511	52	U3215-32252	155	U3215-42001	75
U3210-64921	63	U3215-12231	38	U3215-16521	52	U3215-32271	142	U3215-42021	72
U3210-69144	159	U3215-12244	38	U3215-16531	52	U3215-32271	155	U3215-42021	74
U3210-69161	159	U3215-12251	38	U3215-16541	52	U3215-32302	139	U3215-42041	76
U3210-71011	91	U3215-12263	38	U3215-16551	52	U3215-32352	142	U3215-43101	75
U3210-71012	91	U3215-12271	38	U3215-16601	34	U3215-32352	155	U3215-43301	75
U3210-71013	91	U3215-12291	38	U3215-16601	45	U3215-32432	142	U3215-43401	75
U3210-71171	91	U3215-12313	38	U3215-16601	50	U3215-32432	155	U3215-45107	72
U3210-71181	91	U3215-12402	39	U3215-16613	33	U3215-32502	140	U3215-46201	72
U3210-73171	93	U3215-12411	39	U3215-16613	34	U3215-32602	155	U3215-46201	75
U3210-73321	93	U3215-12422	39	U3215-16613	36	U3215-32802	140	U3215-46301	72
U3210-74551	118	U3215-12452	39	U3215-16613	45	U3215-32902	140	U3215-46402	72
U3210-74591	118	U3215-12461	39	U3215-16613	50	U3215-32972	139	U3215-47101	76
U3210-85481	142	U3215-12471	39	U3215-16613	57	U3215-33301	108	U3215-47121	76
U3210-85481	155	U3215-12511	41	U3215-16621	33	U3215-33501	124	U3215-47131	76
U3210-85491	141	U3215-12521	41	U3215-16621	36	U3215-33511	124	U3215-50009	83
U3210-85591	118	U3215-12531	41	U3215-16621	45	U3215-33701	142	U3215-5000A	83
U3210-91152	117	U3215-12531	42	U3215-16621	57	U3215-33701	155	U3215-5000B	83

PART NO.	PAGE	PART NO.	PAGE	PART NO.	PAGE	PART NO.	PAGE	PART NO.	PAGE
U3215-50011	81	U3215-51441	111	U3215-60311	128	U3215-77201	94	U3215-86161	96
U3215-50012	81	U3215-52201	83	U3215-60311001	128	U3215-77302	95	U3215-86182	96
U3215-50013	81	U3215-52202	87	U3215-60311002	128	U3215-77303	95	U3215-86201	98
U3215-50101	81	U3215-52301	83	U3215-60311003	128	U3215-77352	95	U3215-86211	98
U3215-50111	81	U3215-52301	87	U3215-60312	128	U3215-77401	94	U3215-86221	98
U3215-50121	81	U3215-52353	121	U3215-60321	128	U3215-77501	94	U3215-86231	98
U3215-50122	81	U3215-52401	121	U3215-60335	129	U3215-77701	94	U3215-91003	103
U3215-50131	81	U3215-52701	121	U3215-60336	129	U3215-77901	94	U3215-91102	103
U3215-50141	81	U3215-53003	86	U3215-60341	134	U3215-77921	94	U3215-91202	103
U3215-50151	81	U3215-53004	86	U3215-60341	145	U3215-77953	94	U3215-91301	103
U3215-50171	81	U3215-53102	86	U3215-60351	134	U3215-78151	95	U3215-91351	103
U3215-50201	81	U3215-53203	86	U3215-60351	145	U3215-78301	95	U3215-91352	103
U3215-50202	81	U3215-53301	86	U3215-60362	122	U3215-78501	95	U3215-91512	103
U3215-50211	81	U3215-53401	86	U3215-60362	158	U3215-78601	95	U3215-91513	103
U3215-50221	81	U3215-53501	86	U3215-60381	158	U3215-78801	94	U3215-91521	96
U3215-50308	81	U3215-53601	86	U3215-60391	158	U3215-79001	95	U3215-91852	103
U3215-50309	81	U3215-53601-S	88	U3215-60401	122	U3215-81005	96	U3215-91902	103
U3215-5030A	81	U3215-53701	86	U3215-60401	158	U3215-81006	96	U3215-92101	101
U3215-50316	82	U3215-53701-S	88	U3215-60411	157	U3215-81102	96	U3215-92201	101
U3215-50317	82	U3215-55201	121	U3215-60411	158	U3215-81103	96	U3215-92304	101
U3215-50322	82	U3215-56005	87	U3215-60421	131	U3215-81151	97	U3215-92313	101
U3215-50323	82	U3215-56006	87	U3215-60431	131	U3215-81303	96	U3215-92321	101
U3215-50331	82	U3215-56007	87	U3215-60511	128	U3215-81361	96	U3215-92402	101
U3215-50401	81	U3215-56201	87	U3215-60522	130	U3215-81371	96	U3215-92403	101
U3215-50502	83	U3215-56301	88	U3215-69103	127	U3215-81402	96	U3215-92701	101
U3215-50503	83	U3215-56401	88	U3215-69152	159	U3215-81552	60	U3215-92801	101
U3215-50553	83	U3215-56505	87	U3215-69611	137	U3215-81552	85	U3215-92901	100
U3215-50701	55	U3215-56506	87	U3215-69711	122	U3215-81552	93	U3215-93001	101
U3215-50751	67	U3215-56507	87	U3215-69731	122	U3215-81552	97	U3215-93011	101
U3215-50751	69	U3215-56631	86	U3215-69811	138	U3215-81552	100	U3215-93101	100
U3215-50751	70	U3215-56651	86	U3215-69821	138	U3215-81552	102	U3215-93402	101
U3215-50751	148	U3215-56672	88	U3215-69872	127	U3215-81552	103	U3215-93411	102
U3215-50801	67	U3215-56681	88	U3215-69922	91	U3215-81552	143	U3215-93421	102
U3215-50801	69	U3215-57103	88	U3215-71101	91	U3215-81552	147	U3215-93501	140
U3215-50801	70	U3215-57211	88	U3215-71102	91	U3215-81552	159	U3215-93511	102
U3215-50801	79	U3215-57221	88	U3215-71103	91	U3215-81561	102	U3215-93521	141
U3215-50801	148	U3215-57231	88	U3215-71331	92	U3215-81601	97	U3215-93531	141
U3215-50801	149	U3215-57301	88	U3215-71382	92	U3215-83653	102	U3215-96151	97
U3215-50801	150	U3215-57401	88	U3215-71392	92	U3215-83701	98	U3215-96201	63
U3215-50811	126	U3215-58005	89	U3215-72611	93	U3215-85011	112	U3215-96251	60
U3215-50821	125	U3215-58151	89	U3215-72622	93	U3215-85021	112	U3215-96251	143
U3215-50901	125	U3215-58252	90	U3215-72641	93	U3215-85032	112	U3215-96361	104
U3215-50911	125	U3215-59031	89	U3215-72781	93	U3215-85041	112	U3215-96402	97
U3215-50921	125	U3215-60051	157	U3215-72781	152	U3215-85051	112	U3215-96502	97
U3215-50931	125	U3215-60071	157	U3215-72781	154	U3215-85061	112	U3215-96502	128
U3215-50951	125	U3215-60081	130	U3215-73391	93	U3215-85071	112	U3215-96521	131
U3215-50961	125	U3215-60091	130	U3215-74501	118	U3215-85081	112	U3215-97111	134
U3215-50971	125	U3215-60102	131	U3215-74602	63	U3215-85101	112	U3215-97111	145
U3215-51008	82	U3215-60112	131	U3215-75301	80	U3215-85121	112	U3215-97111	152
U3215-51009	82	U3215-60122	131	U3215-75401	80	U3215-85132	112	U3215-97111	154
U3215-5100A	82	U3215-60132	131	U3215-75471	80	U3215-85211	118	U3215-97122	152
U3215-5100B	82	U3215-60161	127	U3215-75681	80	U3215-85321	141	U3215-97122	154
U3215-51101	124	U3215-60171	134	U3215-75921	80	U3215-85421	112	U3215-97151	152
U3215-51111	124	U3215-60171	144	U3215-75982	80	U3215-85491	141	U3215-97151	154
U3215-51308	83	U3215-60181	157	U3215-76051	80	U3215-85501	112	U3215-97161	136
U3215-51309	83	U3215-60191	117	U3215-76701	80	U3215-85711	141	U3215-97161	152
U3215-5130A	84	U3215-60201	130	U3215-76951	80	U3215-85861	112	U3215-97161	154
U3215-51316	83	U3215-60212	130	U3215-76971	80	U3215-85862	112	U3215-97551	120
U3215-51317	83	U3215-60254	157	U3215-77101	94	U3215-86141	97	U3215-97561	120
U3215-51421	111	U3215-60304	158	U3215-77102	94	U3215-86142	97	U3215-97671	152

PART NO.	PAGE	PART NO.	PAGE	PART NO.	PAGE	PART NO.	PAGE	PART NO.	PAGE
U3215-97671	154	U3230-97422	152	U3480-98111	113				
U3215-97721	151	U3230-97432	152						
U3215-97782	114	U3230-97442	153						
U3215-97782	117	U3230-97452	153						
U3215-97793	151	U3230-97481	136						
U3215-97831	114	U3230-97801	114						
U3215-A1001	36	U3230-97821	114						
U3215-A3001	57	U3230-97822	114						
U3215-A3002	45	U3230-97841	114						
U3215-A5001	33	U3230-97842	114						
U3217-50331	82	U3233-83001	98						
U3217-56201	87	U3233-83101	98						
U3219-74402	118	U3240-97002	154						
U3219-99304	106	U3240-97102	154						
U3219-99721	106	U3300-A1002	151						
U3230-29621	66	U3300-A1012	151						
U3230-36502	60	U3400-19051	58						
U3230-36511	60	U3400-21511	66						
U3230-36712	60	U3400-24511	82						
U3230-60251	157	U3400-26511	87						
U3230-60841	144	U3400-34001	139						
U3230-63601	137	U3400-34011	142						
U3230-63602	137	U3400-36011	72						
U3230-63611	137	U3400-38012	73						
U3230-63661	137	U3400-38021	73						
U3230-69201	136	U3400-38051	73						
U3230-69701	122	U3400-38071	73						
U3230-69801	138	U3400-38091	73						
U3230-69831	138	U3400-44021	79						
U3230-83301	98	U3400-44121	79						
U3230-84001	98	U3400-48001	80						
U3230-85001	98	U3400-48011	80						
U3230-85092	112	U3400-50006	85						
U3230-85161	113	U3400-50007	85						
U3230-85571	113	U3400-50009	85						
U3230-85581	113	U3400-60101	139						
U3230-86001	98	U3400-61101	139						
U3230-93051	101	U3400-61201	139						
U3230-93061	101	U3400-61401	140						
U3230-93062	101	U3400-61401	142						
U3230-96751	160	U3400-73002	132						
U3230-96761	161	U3400-75501	134						
U3230-97201	115	U3400-86512	100						
U3230-97201	119	U3400-92111	104						
U3230-97211	115	U3400-92131	104						
U3230-97211	119	U3400-93011	106						
U3230-97261	136	U3400-93021	106						
U3230-97271	136	U3400-93054	106						
U3230-97281	136	U3400-93301	107						
U3230-97303	116	U3400-97511	111						
U3230-97303	156	U3401-93004	105						
U3230-97313	116	U3401-93006	105						
U3230-97313	156	U3410-98012	113						
U3230-97321	116	U3410-98022	113						
U3230-97321	156	U3430-95001	143						
U3230-97333	116	U3430-95101	143						
U3230-97333	156	U3430-95501	143						
U3230-97342	135	U3430-98052	113						
U3230-97352	152	U3430-98062	113						
U3230-97403	152	U3450-92031	104						

INDEX 2

PARTS GROUP	GROUP NO.	PAGE	PARTS GROUP	GROUP NO.	PAGE
Accelerator Pedal Group	U1-U0270A	63	NOZZLE HOLDER GROUP	3C100LWU-E130	18
ALARM SYSTEM BACKUP, GROUP	U3-U5750A	138	NUMBER PLATE GROUP (STD)	U1-U1680A	117
ALTERNATOR GROUP	3C100LWU-E200	27	OIL COOLER GROUP	U1-U5950A	124
Battery Group	U1-U0630A	130	OIL PAN GROUP	3C100LWU-E020	3
BEACON LIGHT GROUP	U3-U5710A	137	OPTIONAL LAMP GROUP(EU)	U3-U0980A	144
BEVEL PINION SHAFT GROUP	U1-T230A	32	PARKING BRAKE SYS	U3400-G380A	73
BRAKE PEDAL GROUP	U1-U0420A	76	PARKING LOCK BUZZER GROUP(OPTION)	U1-U5670A	159
CAMSHAFT GROUP	3C100A-E100	13	PISTON & CRANKSHAFT GROUP	3C100A-E110	14
CANOPY GROUP	U3300-GA10B	151	PISTON & CRANKSHAFT GROUP	3C100LWU-E110	16
CLUTCH COVER GROUP	U3-U0287A	65	POWER STEERING GROUP,KIOTI	U1-U0524A	89
CVT Group, DC(STD)	U1-U0284A	64	Propeller Shaft Group	U3400-G190A	58
CYLINDER BLOCK GROUP	3C100LWU-E010	1	PS HYD. SYSTEM GROUP,DEADONG	U1-U0947A	108
CYLINDER HEAD COVER GROUP	3C093LW-E090	12	RADIATOR GROUP	U1-U0730A	94
CYLINDER HEAD COVER GROUP	3C100LW-E030	4	REAR AXLE CASE GROUP	U1-T180A	45
DECK GROUP-STANDARD BLACK	U3401-G930A	105	Rear Axle Drive Group	U1-U0240A	56
DRIVE SHAFT GROUP	U1-T110A	37	REAR DIFF FORK GROUP	U1-T200A	49
ELECTRICAL SYSTEM 1 GROUP	U1-U0600A	127	REAR DIFF SYSTEM GROUP	U1-T190A	46
ELECTRICAL SYSTEM 2 GROUP	U1-U0610A	128	Rear Differential Group	U1-U0235A	55
ELECTRICAL SYSTEM 2 GROUP	U1-U0620A	129	Rear Differential Group	U1-U0300A	57
ELECTRICITY SYSTEM 3 GROUP	U3400-G730A	132	Rear Suspension Group(STD)	U1-U0510A	86
ENGINE MOUNTING GROUP	U1-U0250A	61	REAR WHEEL DRIVING SHAFT GROUP	U1-T140A	41
ENGINE STOP LEVER GROUP	3C100LW-C-E160	22	ROPS	U3430-G950A	143
EPA LABEL GROUP	3C100LW-E245	31	ROPS GROUP	U3-U0220A	60
EXHAUST SYSTEM	U3400-G480A	80	RR-BRAKE SYS	U3400-G360A	71
FLYWHEEL GROUP	3C100LWU-E120	17	SAFTY GLASS GROUP	U3-U3931A	152
FORWARD/REVERSE SHIFTER ASS'Y	U3400-G440A	77	SAFTY LAMP GROUP	U3430-G755A	133
FRONT AXLE CASE GROUP	U1-T210A	50	Seat Group(With SUS)	U3-U0811A	98
Front Axle Drive Group	U1-U0230A	53	SHIFT FORK GROUP	U1-T170A	44
Front Axle Group	U1-U0550A	33	SHIFT SHAFT GROUP	U1-T120A	38
Front Break Group	U1-U0400A	74	SKID PLATE GROUP	U3400-G865A	100
FRONT DIFF SYSTEM GROUP	U1-T220A	51	SOFT CABIN(OPTION-BLACK-KIOTI)	U3-U5972A	160
FRONT DRIVE FORK GROUP	U1-T160A	43	SOFT CABIN(OPTION-DESERT-KIOTI)	U3-U5973A	161
FRONT HITCH GROUP(EEC)- STD	U3-U1020A	115	SPEED CONTROL LEVER GROUP	3C100A-E150	21
FRONT HITCH GROUP(EEC)-OPT	U3-U5020A	119	SPRAYER GROUP	U1-U5960A	125
Front Suspension Group(STD)	U1-U0500A	81	SPRIAL BEVEL GEAR GROUP	U1-T130A	39
FRONT WHEEL DRIVE SHAFT GROUP	U1-T150A	42	SPRING	U3400-G975A	111
FUEL CAMSHAFT GROUP	3C100LWU-E140	19	Structure Group	U3400-G500A	85
Fuel System Group	U1-U0700A	91	SUSP DUST SHIELD GROUP-OPT	U1-U5080A	121
GEAR CASE GROUP	3C100A-E040	5	SWING DRAWBAR GROUP(EEC)- STD	U3-U1110A	116
GEAR CASE GROUP	3C100LW-E040	8	SWING DRAWBAR GROUP(EEC)-OPT	U3-U5110A	156
GOVERNOR GROUP	3C100A-E170	24	TRANSMISSION CASE GROUP	U1-T100A	34
Guard Group	U1-U0210A	59	TRANSMISSION GROUP	U1-U0100A	36
Guard Group	U3214-GA10B	147	VALVE ROCKER ARM GROUP	3C100A-E080	11
HAND THROTTLE GROUP-OPT	U1-U3950A	118	WATER HOSE GROUP	3C100LWU-E190	25
HEAD LIGHT GROUP	U1-U0640A	131	Wheel & Tire Group(Mud)	U1-U0291A	68
HIGH MOUNT BRAKE LAMP GROUP	U3-U5730A	122	Wheel & Tire Group(OPT-Mud)	U1-U3291A	149
HOOD GROUP	U3450-G920A	103	Wheel & Tire Group(OPT-Turf)	U1-U3292A	150
HYDRAULIC SYSTEM	U3400-G620B	139	Wheel & Tire Group(OPT-WORK)	U1-U3290A	148
HYDRAULIC SYSTEM	U3400-G630B	142	Wheel & Tire Group(Turf)	U1-U0292A	70
HYDRAULIC SYSTEM GROUP (2)-OPT	U1-U3941A	155	Wheel & Tire Group(WORK)	U1-U0290A	67
HYDRAULIC SYSTEM GROUP (3)-OPT	U1-U5940A	123	WINCH GROUP	U1-U5030A	120
Intake System Group	U1-U0710A	93	WIND SHIELD GROUP	U3-U3932A	154
IP GROUP(KIOTI)	U1-U0800A	96	WIPER GROUP	U3-U3933A	135
LABEL GROUP	3C100LW-E240	29	WORKING LAMP 2 GROUP(OPTION)	U3-U5650A	157
LABEL GROUP	3C100LWU-E240	30	WORKING LAMP GROUP(OPTION)	U1-U5660A	158
LABEL GROUP	U3430-G980A	112			
MAIN BEARING CASE GROUP	3C100A-E050	10			
MANIFOLD GROUP	3C100LWU-E220	28			
MIRROR GROUP(STD)	U3-U0990A	114			
Molding Group(STD)	U3-U0900A	101			

INDEX 3

PARTS GROUP	GROUP NO.	PAGE	PARTS GROUP	GROUP NO.	PAGE
<CHASSIS>			CYLINDER HEAD COVER GROUP	3C093LW-E090	12
Accelerator Pedal Group	U1-U0270A	63	CYLINDER HEAD COVER GROUP	3C100LW-E030	4
BRAKE PEDAL GROUP	U1-U0420A	76	ENGINE STOP LEVER GROUP	3C100LW-C-E160	22
CLUTCH COVER GROUP	U3-U0287A	65	EPA LABEL GROUP	3C100LW-E245	31
CVT Group, DC(STD)	U1-U0284A	64	FLYWHEEL GROUP	3C100LWU-E120	17
DECK GROUP-STANDARD BLACK	U3401-G930A	105	FUEL CAMSHAFT GROUP	3C100LWU-E140	19
ENGINE MOUNTING GROUP	U1-U0250A	61	GEAR CASE GROUP	3C100A-E040	5
EXHAUST SYSTEM	U3400-G480A	80	GEAR CASE GROUP	3C100LW-E040	8
FORWARD/REVERSE SHIFTER ASS'Y	U3400-G440A	77	GOVERNOR GROUP	3C100A-E170	24
Front Break Group	U1-U0400A	74	LABEL GROUP	3C100LW-E240	29
FRONT HITCH GROUP(EEC)- STD	U3-U1020A	115	LABEL GROUP	3C100LWU-E240	30
FRONT HITCH GROUP(EEC)-OPT	U3-U5020A	119	MAIN BEARING CASE GROUP	3C100A-E050	10
Front Suspension Group(STD)	U1-U0500A	81	MANIFOLD GROUP	3C100LWU-E220	28
Fuel System Group	U1-U0700A	91	NOZZLE HOLDER GROUP	3C100LWU-E130	18
Guard Group	U1-U0210A	59	OIL PAN GROUP	3C100LWU-E020	3
HAND THROTTLE GROUP-OPT	U1-U3950A	118	PISTON & CRANKSHAFT GROUP	3C100A-E110	14
HIGH MOUNT BRAKE LAMP GROUP	U3-U5730A	122	PISTON & CRANKSHAFT GROUP	3C100LWU-E110	16
HOOD GROUP	U3450-G920A	103	SPEED CONTROL LEVER GROUP	3C100A-E150	21
HYDRAULIC SYSTEM GROUP (3)-OPT	U1-U5940A	123	VALVE ROCKER ARM GROUP	3C100A-E080	11
Intake System Group	U1-U0710A	93	WATER HOSE GROUP	3C100LWU-E190	25
IP GROUP(KIOTI)	U1-U0800A	96	<FRONT AXLE>		
LABEL GROUP	U3430-G980A	112	BEVEL PINION SHAFT GROUP	U1-T230A	32
MIRROR GROUP(STD)	U3-U0990A	114	Front Axle Group	U1-U0550A	33
Molding Group(STD)	U3-U0900A	101	<OPTION>		
NUMBER PLATE GROUP (STD)	U1-U1680A	117	CANOPY GROUP	U3300-GA10B	151
OIL COOLER GROUP	U1-U5950A	124	Guard Group	U3214-GA10B	147
PARKING BRAKE SYS	U3400-G380A	73	HYDRAULIC SYSTEM	U3400-G620B	139
POWER STEERING GROUP,KIOTI	U1-U0524A	89	HYDRAULIC SYSTEM	U3400-G630B	142
Propeller Shaft Group	U3400-G190A	58	HYDRAULIC SYSTEM GROUP (2)-OPT	U1-U3941A	155
PS HYD. SYSTEM GROUP,DEADONG	U1-U0947A	108	OPTIONAL LAMP GROUP(EU)	U3-U0980A	144
RADIATOR GROUP	U1-U0730A	94	PARKING LOCK BUZZER GROUP(OPTION)	U1-U5670A	159
Rear Suspension Group(STD)	U1-U0510A	86	ROPS	U3430-G950A	143
ROPS GROUP	U3-U0220A	60	SAFTY GLASS GROUP	U3-U3931A	152
RR-BRAKE SYS	U3400-G360A	71	SOFT CABIN(OPTION-BLACK-KIOTI)	U3-U5972A	160
Seat Group(With SUS)	U3-U0811A	98	SOFT CABIN(OPTION-DESERT-KIOTI)	U3-U5973A	161
SKID PLATE GROUP	U3400-G865A	100	SWING DRAWBAR GROUP(EEC)-OPT	U3-U5110A	156
SPRAYER GROUP	U1-U5960A	125	Wheel & Tire Group(OPT-Mud)	U1-U3291A	149
SPRING	U3400-G975A	111	Wheel & Tire Group(OPT-Turf)	U1-U3292A	150
Structure Group	U3400-G500A	85	Wheel & Tire Group(OPT-WORK)	U1-U3290A	148
SUSP DUST SHIELD GROUP-OPT	U1-U5080A	121	WIND SHIELD GROUP	U3-U3932A	154
SWING DRAWBAR GROUP(EEC)- STD	U3-U1110A	116	WORKING LAMP 2 GROUP(OPTION)	U3-U5650A	157
Wheel & Tire Group(Mud)	U1-U0291A	68	WORKING LAMP GROUP(OPTION)	U1-U5660A	158
Wheel & Tire Group(Turf)	U1-U0292A	70	<TRANSMISSION>		
Wheel & Tire Group(WORK)	U1-U0290A	67	DRIVE SHAFT GROUP	U1-T110A	37
WINCH GROUP	U1-U5030A	120	FRONT AXLE CASE GROUP	U1-T210A	50
<ELECTRICAL>			Front Axle Drive Group	U1-U0230A	53
ALARM SYSTEM BACKUP, GROUP	U3-U5750A	138	FRONT DIFF SYSTEM GROUP	U1-T220A	51
Battery Group	U1-U0630A	130	FRONT DRIVE FORK GROUP	U1-T160A	43
BEACON LIGHT GROUP	U3-U5710A	137	FRONT WHEEL DRIVE SHAFT GROUP	U1-T150A	42
ELECTRICAL SYSTEM 1 GROUP	U1-U0600A	127	REAR AXLE CASE GROUP	U1-T180A	45
ELECTRICAL SYSTEM 2 GROUP	U1-U0610A	128	Rear Axle Drive Group	U1-U0240A	56
ELECTRICAL SYSTEM 2 GROUP	U1-U0620A	129	REAR DIFF FORK GROUP	U1-T200A	49
ELECTRICITY SYSTEM 3 GROUP	U3400-G730A	132	REAR DIFF SYSTEM GROUP	U1-T190A	46
HEAD LIGHT GROUP	U1-U0640A	131	Rear Differential Group	U1-U0235A	55
SAFTY LAMP GROUP	U3430-G755A	133	Rear Differential Group	U1-U0300A	57
WIPER GROUP	U3-U3933A	135	REAR WHEEL DRIVING SHAFT GROUP	U1-T140A	41
<ENGINE>			SHIFT FORK GROUP	U1-T170A	44
ALTERNATOR GROUP	3C100LWU-E200	27	SHIFT SHAFT GROUP	U1-T120A	38
CAMSHAFT GROUP	3C100A-E100	13	SPRIAL BEVEL GEAR GROUP	U1-T130A	39
CYLINDER BLOCK GROUP	3C100LWU-E010	1	TRANSMISSION CASE GROUP	U1-T100A	34

