

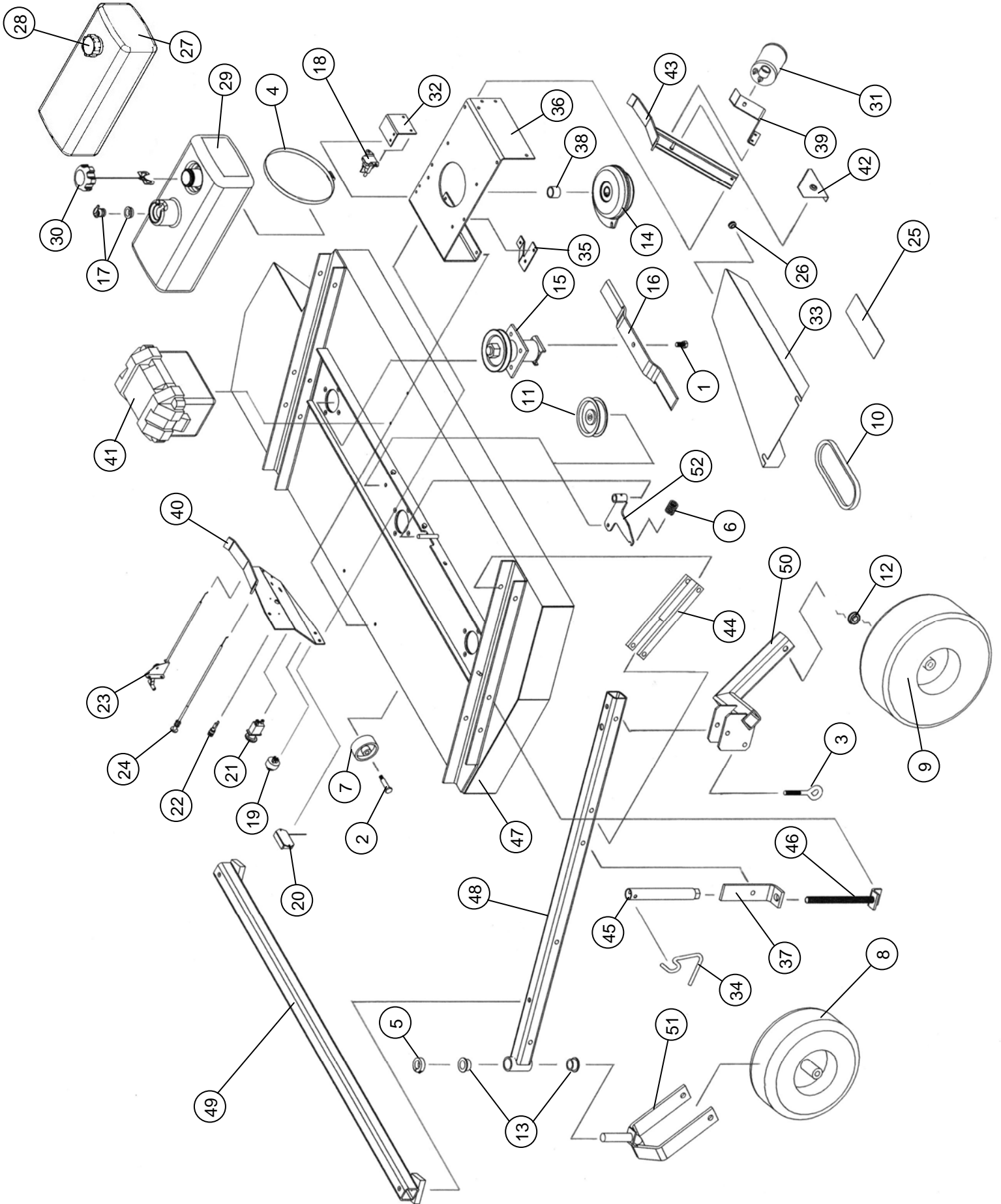
MODELS Pro60K & Pro60V

(See drawings below for additional parts)

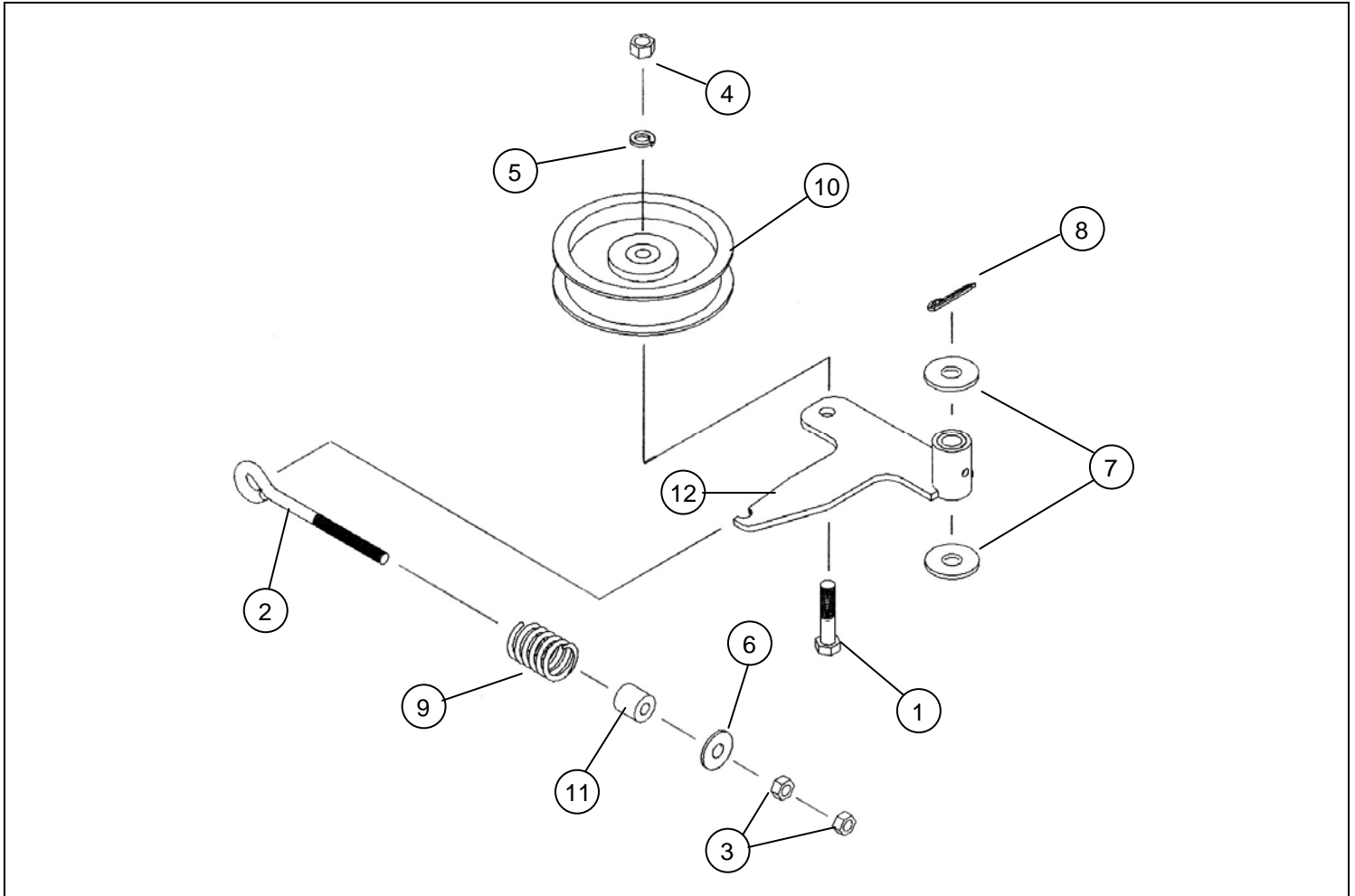
<u>Item</u>	<u>Part #</u>	<u>Description</u>
1	202136	Blade Bolt, 1/2"-20NF x 1"
2	204000	Shoulder Bolt, 1/2" x 1-5/8" Shoulder Length
3	204015	Eye Bolt (Welded)
4	222005	Worm Drive Hose Clamp (7-7/8" to 9-1/8" Clamping Dia.
5	222012	Single Split Collar (1" I.D. x .1/2" Thick)
6	225000	Compression Spring, 1-1/2"L x 1-3/32" O.D. x .135" Wire dia. (<i>Belt Tensioner Drawing Below</i>)
7	226000	Plastic Wheel, 3" O.D. x 1/2" I.D. x 1-1/4" Wide
8	226007	Centered Wheel Assy., 13/500 x 6, 4 Ply Slick (<i>See Wheel Assy. Drawing Below</i>)
9	226012	Offset Wheel Assy., 15/600 x 6, 4 Ply Turf (<i>See Wheel Assy. Drawing Below</i>)
10	238002	"V" Belt, B Section, 127" O.C. Carlisle/Dayco B124 Super II
11	241001	Flat Idler, 4" O.D. x 3/8" Hole (Plastic Replaced with Steel)
12	243007	Precision Sealed Wheel Bearings (1-3/8" O.D. x 5/8" I.D.) (For 226007)
12	243015	Precision Sealed Wheel Bearings (2" O.D. x 1" I.D.) (For 226012)
13	243010	Plastic Bearing (1-3/8" O.D. x 1.00" I.D., Flange, Nylon)
14	258018	Electric Clutch (200 ft-lb, 5" "V" Sheave, 1" Bore) (Model Pro60V)
	235062	Clutch Cable Assembly (1) (On 258018 Clutch Only)
14	258019	Electric Clutch (125 ft-lb, 5" "V" Sheave, 1" Bore) (Model Pro60K)
15	258020	Spindle Assy. (<i>See Spindle Drawing Below</i>)
16	259001	Offset Mower Blade, 2" Wide, 20" Long, 1/2" Hole
17	260004	Roll-Over / Fuel Vapor Valve (Includes Grommet)
18	264000	Solenoid
19	264001	Ignition Switch (Model Pro60K)
19	264010	Ignition Switch (Model Pro60V)
20	264003	Hour/Tack Meter
21	264005	PTO Switch
22	264006	Fuse Holder (10 Amp Fuse)
	264007	Fuse (10 Amp)
23	269001	Throttle Control, 15" (Model Pro60K)
23	269009	Throttle Control, 27" (Model Pro60V)
24	269004	Choke Control, 14" (Model Pro60K)
24	269010	Choke Control, 27" (Model Pro60V)
25	275001	Control Panel Decal, Starting Instructions
25	275002	Warning Decal General
25	275003	Danger Decal, Cut Finger
25	275007	Warning Decal, Belt Sheild
25	275019	Name Decal, Kunz
25	275021	Name Decal, AcrEase
25	275023	Name Decal, 60" Finish Cut
26	277002	Rubber Grommet
27	277010	Fuel Tank, 3-3/4 Gal. Plastic (Replace with 277034 and Use 277013)
	277041	Fuel Tank Grommet (Bottom Petcock Location)
28	277013	Gas Cap - Venting Style (For Fuel Tank 277010 and with Fuel Tank 277035 Without Vent Hose)
29	277034	Fuel Tank, 3 Gal. (Replaces Fuel Tank 277010) <i>Note: Fuel Tank 277034 is an EPA Certified Component . Only Replace with Fuel Tank 277034.</i>
	277041	Fuel Tank Grommet (Bottom Petcock Location)
29	277040	Fuel Tank, 3 Gal., 3-Layer (Used on 2013 Models and Newer) <i>Note: Fuel Tank 277040 is an EPA Certified Component . Only Replace with Fuel Tank 277040.</i>
	277041	Fuel Tank Grommet (Bottom Petcock Location)
30	277035	Gas Cap - Audible Click/Tethered, Non-Venting (Only Use with Fuel Tanks with Vent Hose) <i>Note: Gas Cap 277035 is an EPA Certified Component . Only Replace with Gas Cap 277035.</i>
31	277036	Carbon Canister - 300cc (California Only) <i>Note: Canister 277036 is an EPA Certified Component . Only Replace with Canister 277036.</i>

<u>Item</u>	<u>Part #</u>	<u>Description</u>
32	600048	Solenoid Support
33	600062	Belt Sheild L.H.
33	600063	Belt Sheild R.H. (Discharge Side)
34	600146	Crank Arm (Includes Press-on Nut)
35	600198	Clutch Stop
36	600201	Engine Support Bracket
37	600212	Upper Pivot Support
38	600229	Tube Spacer (Clutch)
39	600291	Canister Support (California Only)
40	600305	Control Panel (Replaces 900111)
41	900049	Battery Box Assy.
	264004	Battery (12V AGM Sealed)
42	900051	Depth Gage
43	900052	Tank Support
44	900061	Pivot Arm
45	900062	Height Adjust Nut
46	900066	Screw Adjuster
47	900122	Mower Deck (Call to Order)
48	900123	Carrier Arm
49	900124	Cross Brace Tube
50	900125	Rear Wheel Support
51	900148	Caster Fork (Includes 1" Washers)
52	900182	Idler Arm Assy. (Includes Bronze Bearing)(Replaces 900025) (<i>Belt Tensioner Drawing Below</i>)
	243000	Bronze Bearing, 1/2" I.D. x 3/4" O.D. x 1-1/2" Long

PARTS DRAWING FOR MODELS Pro60K & Pro60V

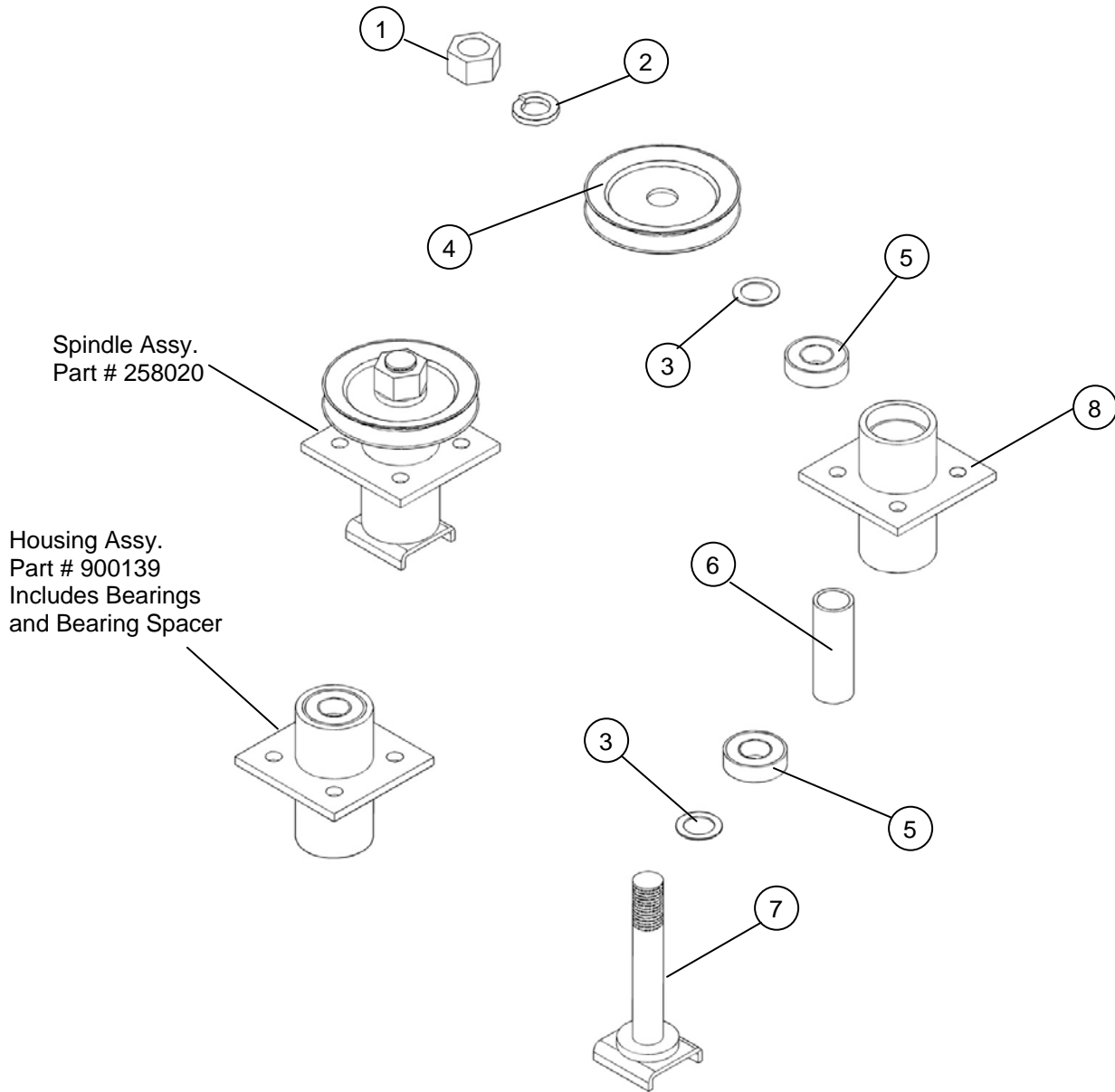


BELT TENSIONER (IDLER ARM) PARTS



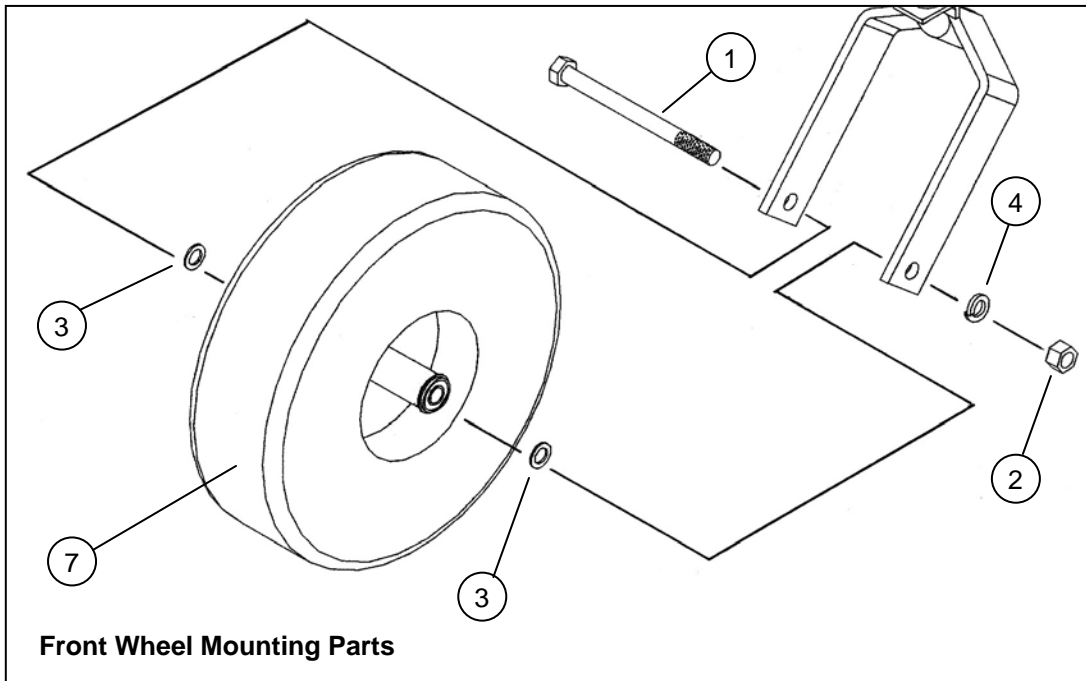
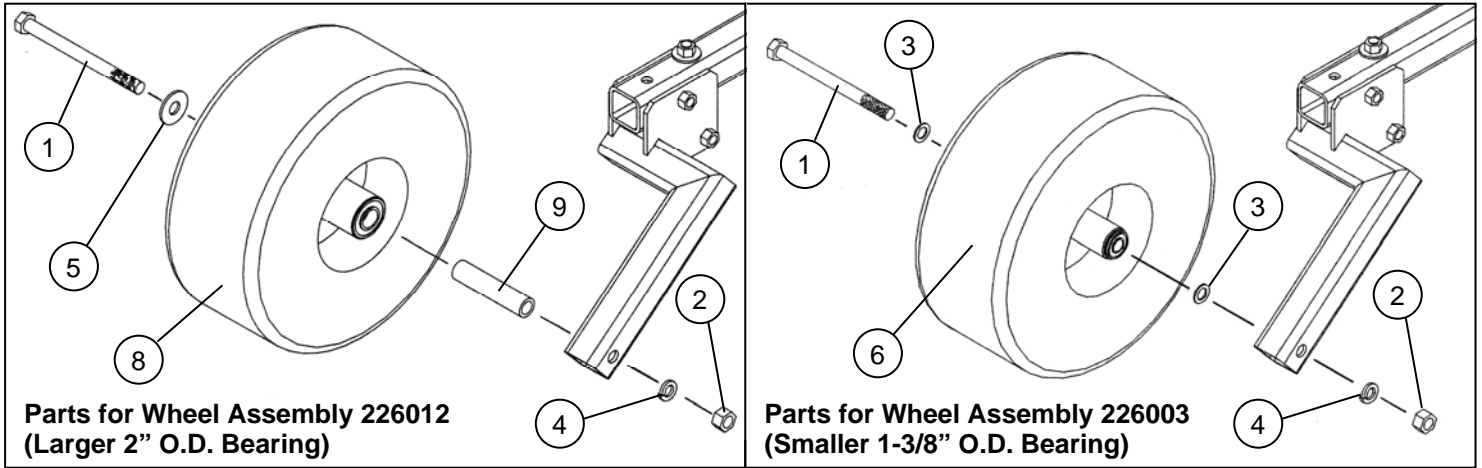
<u>Item</u>	<u>Part #</u>	<u>Description</u>
1	202040	Hex Head Bolt 3/8" x 1-1/2" Long
2	204002	Eye Bolt 5/16" x 4" Usable Length
3	212001	Hex Nut 5/16"
4	212002	Hex Nut 3/8"
5	214002	Lock Washer 3/8"
6	214005	Standard Flat Washer 3/8"
7	214006	Standard Flat Washer 1/2"
8	215000	Cotter Pin, .156" x 1.00" Long
9	225000	Compression Spring, 1.50" Long x 1-3/32" O.D. x .135" Wire dia.
10	241001	Flat Idler, 4" O.D. x 3/8" Hole (Replaced with Steel)
11	277004	Tube Spacer - Nylon 3/4" Long
12	900182	Idler Arm Assy. (Includes Bronze Bearing) (Replaces 900025)
	243000	Bronze Bearing, 1/2" I.D. x 3/4" O.D. x 1.50" Long

PARTS BREAKDOWN FOR COMMERCIAL SPINDLE ASSY. (PART # 258020)



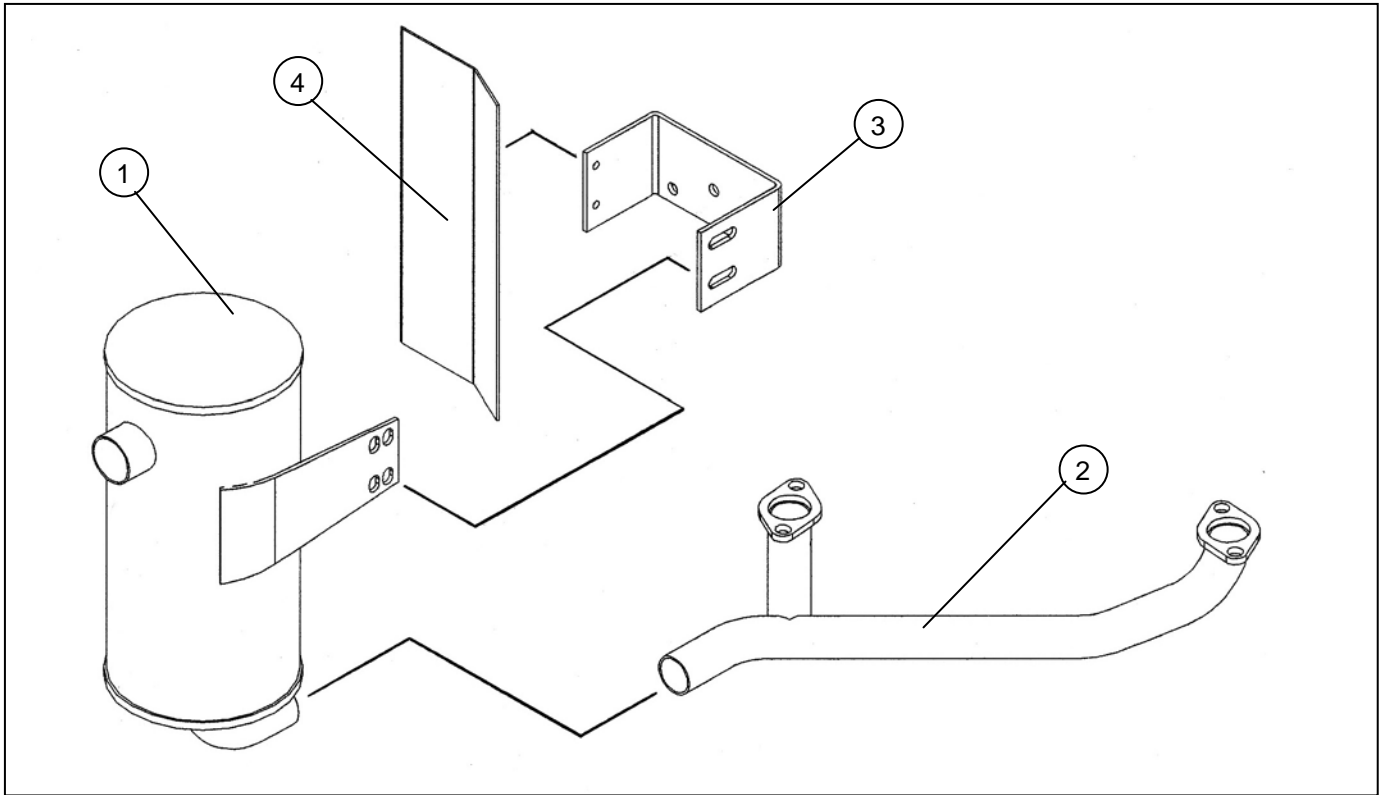
<u>Item</u>	<u>Part #</u>	<u>Description</u>
1	212009	Std. Hex Nut 1.00" - 14NF
2	214013	Split Lock Washer 1.00"
3	214014	Machinery Washer 1.00" I.D. x 18 GA Thick
4	241007	"V" Sheave 5.25" Dia. - 25 mm Bore
5	243003	Bearing 6205 - 2RST
6	600204	Bearing Spacer
7	900046	Spindle Shaft
8	900121	Spindle Hub (Not Sold Separately, Purchase 900139)
	900139	Replacement Housing Assy.
	258020	Replacement Spindle Assy.

WHEEL ASSEMBLIES AND MOUNTING PARTS



<u>Item</u>	<u>Part #</u>	<u>Description</u>
1	202140	Hex Head Bolt 5/8" x 7.5"
2	212013	Hex Nut - 5/8"
3	214018	Machinery Washer 5/8" I.D. x 1" O.D.
4	214020	Lock Washer - 5/8"
5	214029	Standard Flat Washer - 5/8"
6	226003	Offset Wheel Assy. (15/600 x 6, 4 Ply Turf) (Replace with 226012)
	226006	Tire - Replacement (15/600 x 6, 4 Ply Turf)
	243007	Precision Sealed Wheel Bearings (1-3/8" O.D. x 5/8" I.D.)
	600301	Wheel Bearing Spacer
7	226007	Centered Wheel Assy. (13/500 x 6, 4 Ply Slick) (Includes Tire, Rim & Bearings)
	243007	Precision Sealed Wheel Bearings (1-3/8" O.D. x 5/8" I.D.)
	600302	Wheel Bearing Spacer
8	226012	Offset Wheel Assy. (15/600 x 6, 4 Ply Turf) (Includes Tire, Rim, Bearing & Spanner Tube)
	226006	Tire - Replacement (15/600 x 6, 4 Ply Turf)
	243015	Precision Sealed Wheel Bearings (2" O.D. x 1" I.D.)
9	600308	Spanner Tube

Pro60V EXHAUST PARTS – 23HP VANGUARD



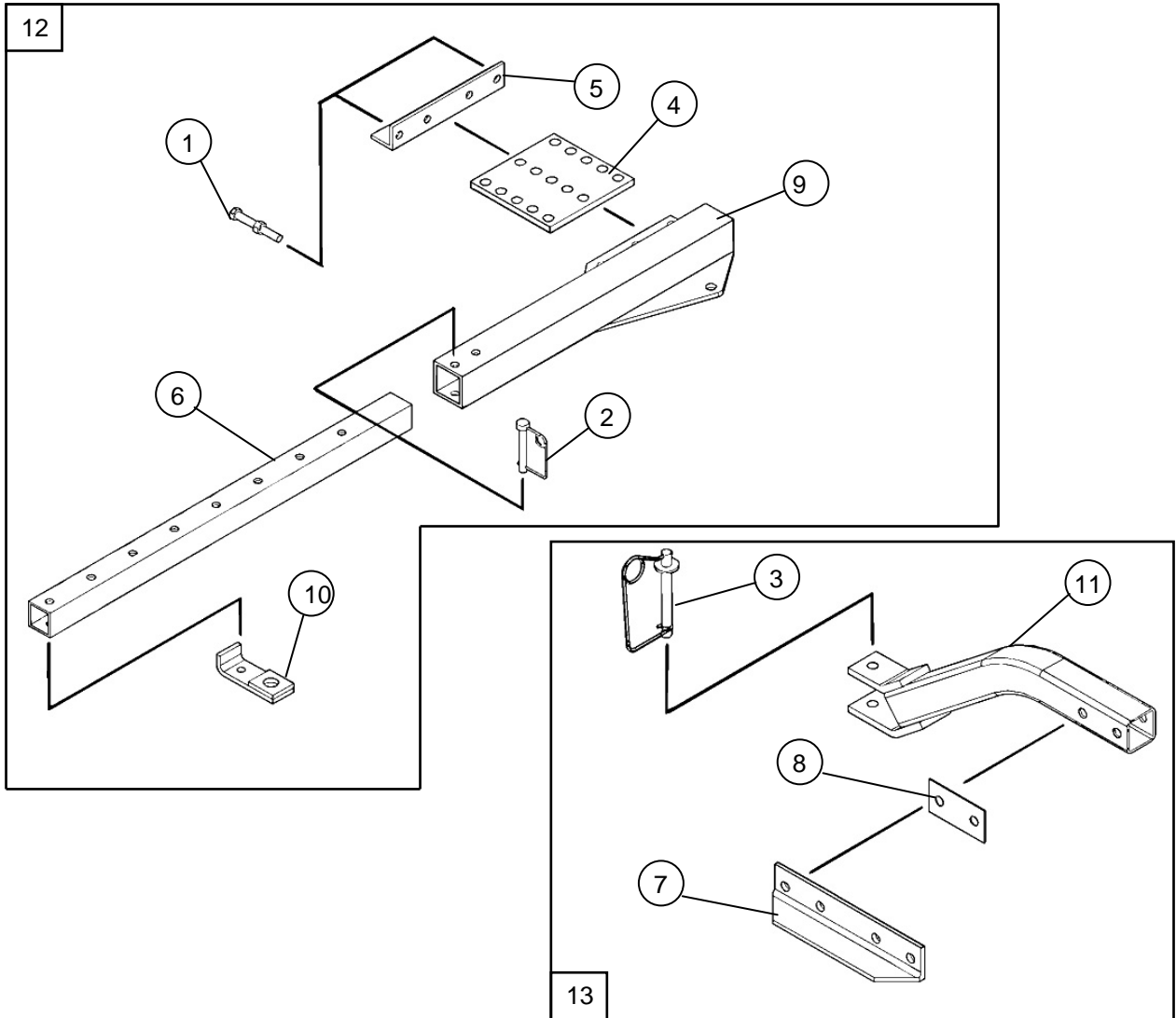
<u>Item</u>	<u>Part #</u>	<u>Description</u>
1	257505	Muffler - 5" (Used on 23HP Briggs Vanguard and Briggs Intek Engines)
2	257509	Manifold (Used on 23HP Briggs Vanguard Engines)
3	600284	Muffler Bracket
4	600285	Heat Deflector

AIR FILTERS, OIL FILTERS, BATTERY ETC.

<u>Part #</u>	<u>Description</u>
257500	Oil Filter, Kohler (12-050-01-S) - Used on 18HP Kohler Command Engines
257503	Oil Filter, Kohler (52-050-02-S) - Replace with 257500
257507	Air Filter (Filter Only Use 257508 Also), Kohler (12-083-10-S) - Used on 18HP Kohler Command Engines
257508	Pre-Cleaner (Use with 257507 Air Filter), Kohler (12-083-12-S) - Used on 18HP Kohler Command Engines
257516	Oil Filter, Briggs (696854, Higher Grade Yellow) - All Briggs Models With Oil Filter
257517	Air Filter (Filter Only Use 257518 Also), Briggs (692519) - Used on 23HP Briggs Vanguard
257518	Pre-Cleaner (Use With 257517 Air Filter), Briggs (692520) - Used on 23HP Briggs Vanguard
264004	Battery (12V AGM Sealed)
277025	Tire Sealer - 32 oz Bottle (Each Tire Requires 16 oz)
277042	Spare Key for Indak Ignition Switches (Used on 264001 & 264010)

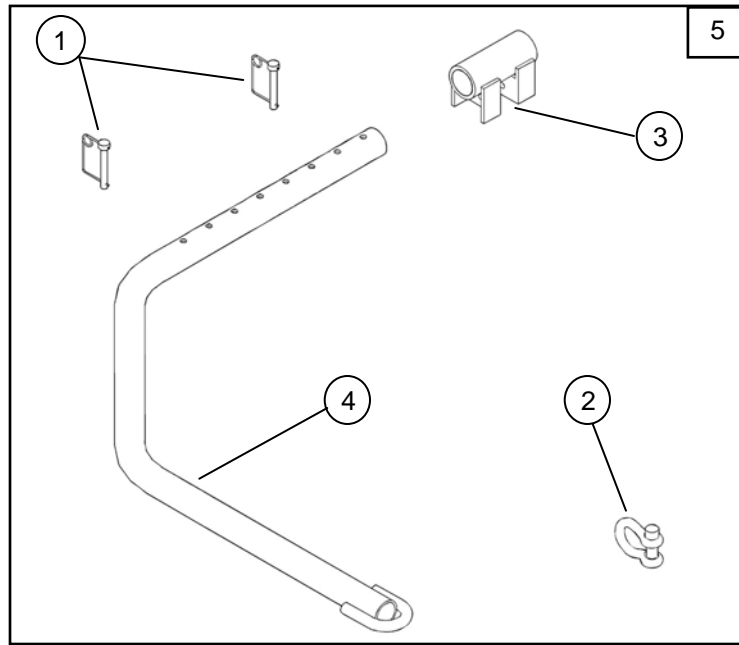
LAWN & GARDEN HITCH PARTS

(PART #'s 900138 & 900028)



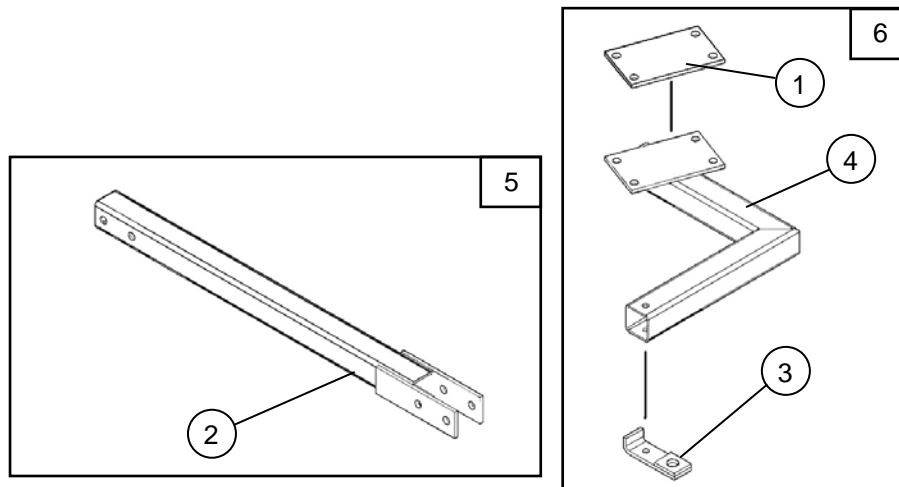
<u>Item</u>	<u>Part #</u>	<u>Description</u>
1	202135	Hex Head Bolt, 3/8" x 3" Fully Threaded
2	216006	Wire Lock Pin, 3/8" x 2-1/4" Opening
3	216011	Wire Lock Pin, 1/2" x 3-1/2" Opening
4	600044	Hitch Adaptor Plate
5	600009	Hitch Stop Angle
6	600043	Hitch Extension
7	600219	Tongue Pivot Angle
8	600228	Spacer
9	900026	Telescope Hitch
10	900050	Hitch Draw Bar
11	900130	Short Tongue
12	900028	Hitch Assy. - Telescoping
13	900138	Short Tongue Assy.

ATV TONGUE PARTS (PART # 900083)



<u>Item</u>	<u>Part #</u>	<u>Description</u>
1	216002	Wire Lock Pin .31" X 2.50"
2	216009	Screw Pin Shackle Clevis
3	900058	Hitch Pivot
4	900082	Tongue
5	900083	ATV Tongue Assy.

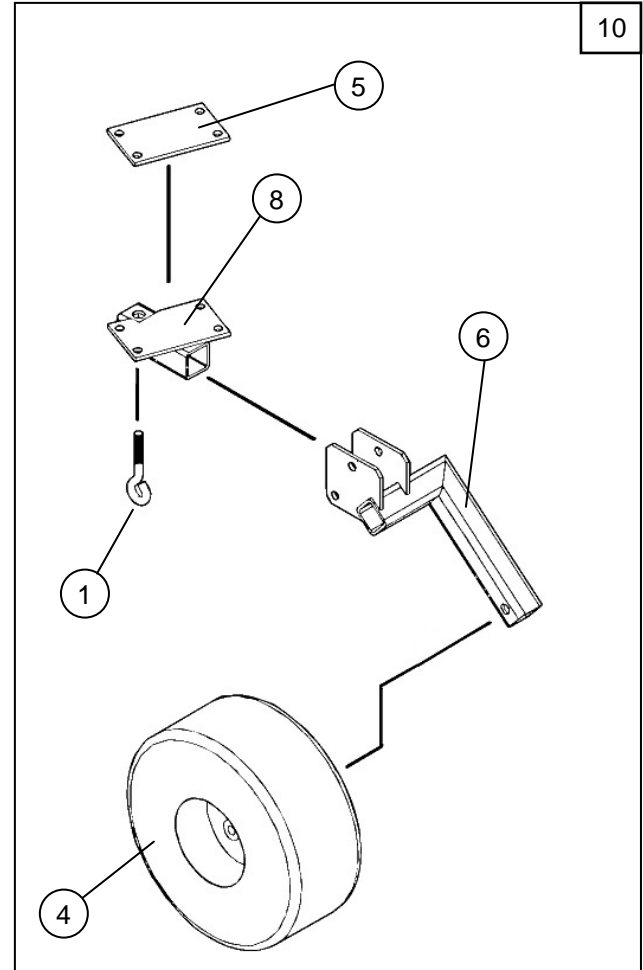
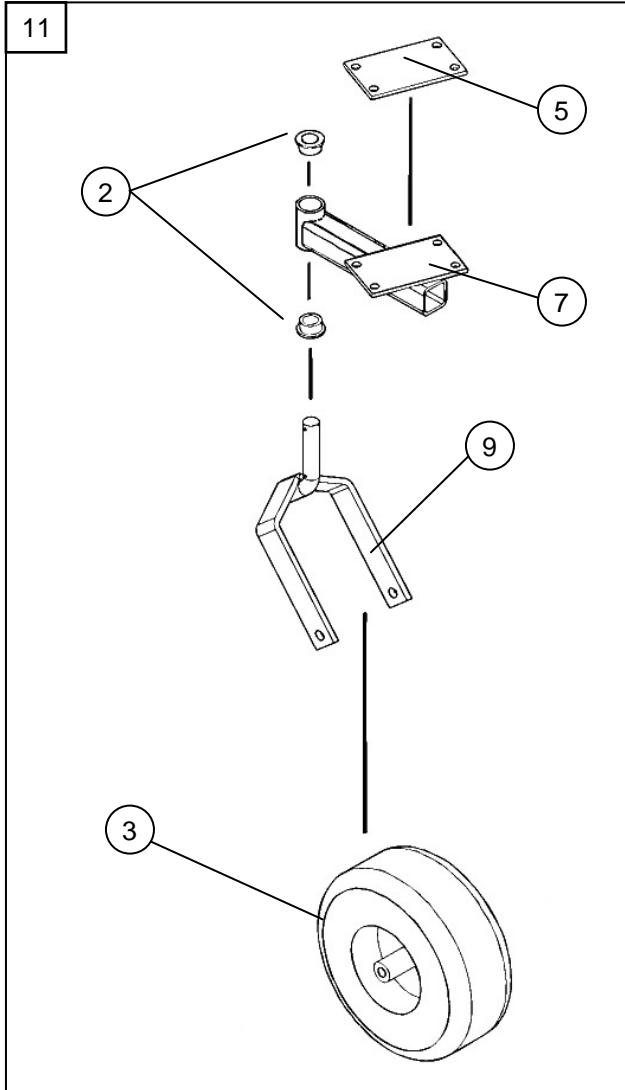
OPTIONAL HITCH PARTS (PART #'s 900136 & 900137)



<u>Item</u>	<u>Part #</u>	<u>Description</u>
1	600195	Clamping Flat
2	900131	Long Tongue Extension (Replace With Long Tongue Assy. 900136)
3	900132	Hitch Draw Bar
4	900133	Rear Hitch
5	900136	Long Tongue Assy.
6	900137	Rear Hitch Assy.

OPTIONAL FLOATATION KIT PARTS

(PART #'s 003910 & 003911)



<u>Item</u>	<u>Part #</u>	<u>Description</u>
1	204015	Eye Bolt (Welded)
2	243010	Plastic Bearing (1-3/8" O.D. x 1.00" I.D., Flange, Nylon)
3	226007	Centered Wheel Assy., 13/500 x 6, 4 Ply Slick (See Wheel Assy. Drawing Above)
4	226012	Offset Wheel Assy., 15/600 x 6, 4 Ply Turf (See Wheel Assy. Drawing Above)
5	600195	Clamping Flat
6	900125	Rear Wheel Support
7	900134	Caster Support
8	900135	Rear Wheel Mount
9	900148	Caster Fork
	222012	Single Split Collar (1" I.D. x .1/2" Thick)
10	003910	Rear Floatation Kit
11	003911	Front Floatation Kit