

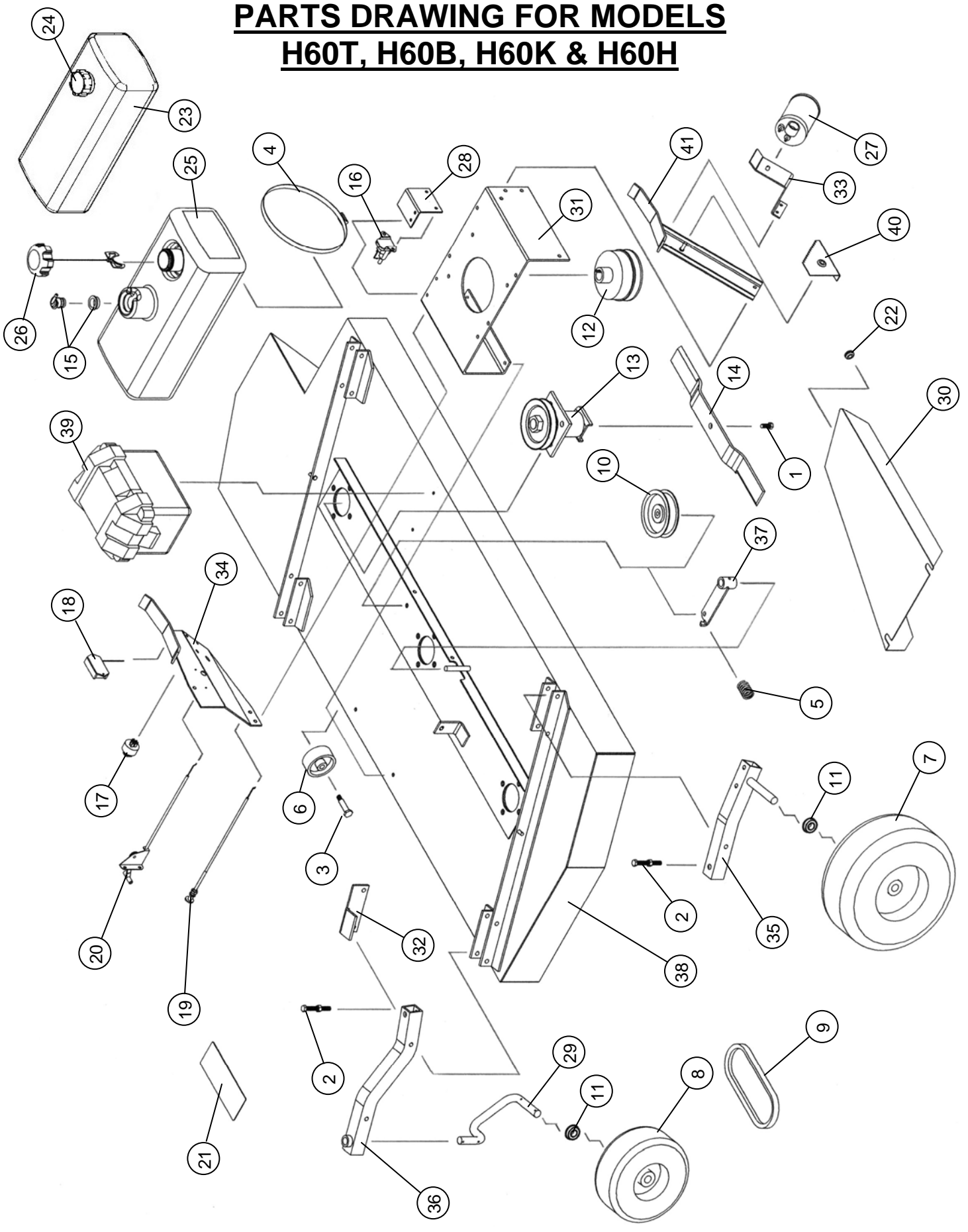
MODELS H60T, H60B, H60K & H60H

(See drawings below for additional parts)

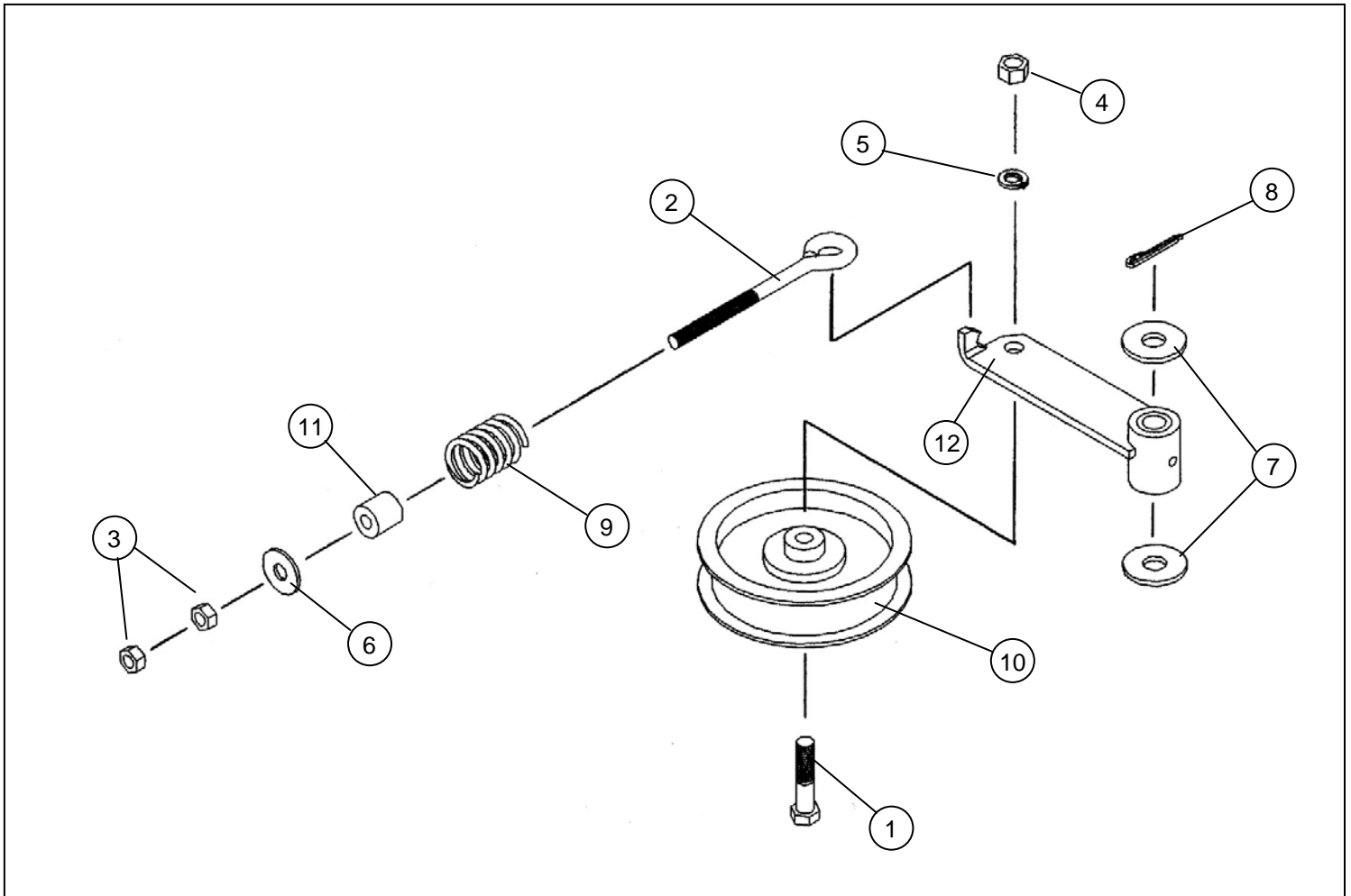
<u>Item</u>	<u>Part #</u>	<u>Description</u>
1	202134	Blade Bolt, 3/8"-24NF x 7/8"
2	202135	Hex Head Bolt, 3/8" x 3" Fully Threaded
3	204000	Shoulder Bolt, 1/2" x 1-5/8" Shoulder Length
4	222005	Worm Drive Hose Clamp (7-7/8" to 9-1/8" Clamping Dia.)
5	225000	Compression Spring, 1-1/2"L x 1-3/32" O.D. x .135" Wire dia. (Belt Tensioner Drawing Below)
6	226000	Plastic Wheel, 3" O.D. x 1/2" I.D. x 1-1/4" Wide
7	226001	Offset Wheel Assy., 13/500 x 6, 2 Ply Turf
8	226002	Centered Wheel Assy., 9/350 x 4, Flat Proof Urethane Foam
9	238002	"V" Belt, B Section, 127" O.C. Dayco B124 Super II
10	241001	Flat Idler, 4" O.D. x 3/8" Hole (Plastic Replaced with Steel)
11	243008	Precision Sealed Wheel Bearings (1-3/8 O.D. x 3/4" I.D.)
12	258007	Centrifugal Clutch (See Clutch Drawing Below)
12	258016	Centrifugal Clutch (See Clutch Drawing Below)
13	258010	Spindle Assy. (See Spindle Drawing Below)
13	258013	Spindle Assy. (See Spindle Drawing Below)
13	258021	Spindle Assy. (See Spindle Drawing Below)
14	259000	Offset Mower Blade, 2" Wide, 20" Long, 3/8" Hole
15	260004	Roll-Over / Fuel Vapor Valve (Includes Gromet)
16	264000	Solenoid (Replaces 264002)
17	264001	Ignition Switch (H60T, H60K & H60B 13HP Model)
17	264010	Ignition Switch (H60B 17.5-19.5 HP Models)
18	264003	Hour/Tack Meter (Optional)
19	269000	Choke Control, 20" (H60T, H60B)
19	269004	Choke Control, 14" (Model H60K)
20	269001	Throttle Control, 15" (H60T, H60B, H60K)
20	269009	Throttle Control, 27" (Model H60H)
21	275001	Control Panel Decal, Starting Instructions (H60T, H60B, H60K)
21	275002	Warning Decal General
21	275003	Danger Decal, Cut Finger
21	275007	Warning Decal, Belt Sheild
21	275012	Control Panel Decal, Starting Instructions (Model H60H)
21	275013	Throttle Control Decal (Slow, Fast & Choke) (Model H60H)
21	275019	Name Decal, Kunz
21	275021	Name Decal, AcrEase (Replaces 275000, 275009 & 275017)
21	275023	Name Decal, 60" Finish Cut
22	277002	Rubber Grommet
23	277010	Fuel Tank, 3-3/4 Gal. Plastic (Replace with 277034 and Use 277013)
	277041	Fuel Tank Grommet (Bottom Petcock Location)
24	277013	Gas Cap - Venting Style (For Fuel Tank 277010 and with Fuel Tank 277035 Without Vent Hose)
25	277034	Fuel Tank, 3 Gal. (Replaces Fuel Tank 277010)
	277041	Fuel Tank Grommet (Bottom Petcock Location) <i>Note: Fuel Tank 277034 is an EPA Certified Component . Only Replace with Fuel Tank 277034.</i>
25	277040	Fuel Tank, 3 Gal., 3-Layer (Used on 2013 Models and Newer) <i>Note: Fuel Tank 277040 is an EPA Certified Component . Only Replace with Fuel Tank 277040.</i>
	277041	Fuel Tank Grommet (Bottom Petcock Location)
26	277035	Gas Cap - Audible Click/Tethered, Non-Venting (Only Use with Fuel Tanks with Vent Hose) <i>Note: Gas Cap 277035 is an EPA Certified Component . Only Replace with Gas Cap 277035.</i>
27	277036	Carbon Canister - 300cc (California Only) <i>Note: Canister 277036 is an EPA Certified Component . Only Replace with Canister 277036.</i>

<u>Item</u>	<u>Part #</u>	<u>Description</u>
28	600048	Solenoid Support
29	600059	Caster Axle
30	600062	Belt Sheild L.H.
30	600063	Belt Sheild R.H. (Discharge Side)
31	600082	Engine Support Bracket
32	600188	Caster Support Stop
33	600291	Canister Support (California Only)
34	600305	Control Panel (Models H60T, H60B & H60K) (Replaces 900023)
34	900089	Control Panel (Model H60H)
35	900005	Rear Axle
36	900021	Caster Support
37	900040	Idler Arm Assy. (Includes Bronze Bearing) (<i>Belt Tensioner Drawing Below</i>)
	243000	Bronze Bearing, 1/2" I.D. x 3/4" O.D. x 1-1/2" Long
38	900042	Mower Deck (Call to Order)
39	900049	Battery Box Assy.
	264004	Battery (12V AGM Sealed)
40	900051	Depth Gage
41	900052	Tank Support

PARTS DRAWING FOR MODELS H60T, H60B, H60K & H60H



BELT TENSIONER (IDLER ARM) PARTS

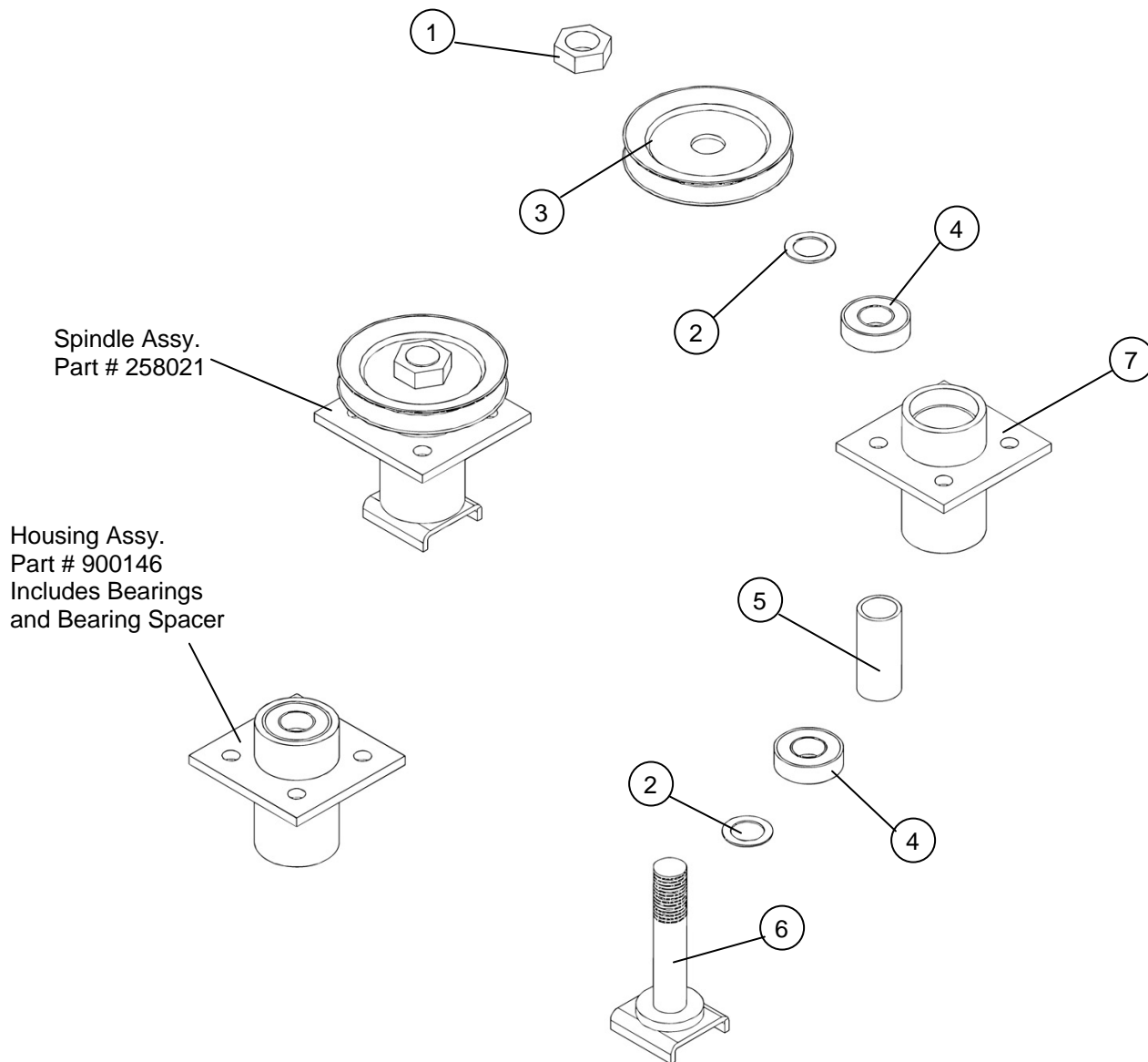


<u>Item</u>	<u>Part #</u>	<u>Description</u>
1	202040	Hex Head Bolt 3/8" x 1-1/2" Long
2	204002	Eye Bolt 5/16" x 4" Usable Length
3	212001	Hex Nut 5/16"
4	212002	Hex Nut 3/8"
5	214002	Lock Washer 3/8"
6	214005	Standard Flat Washer 3/8"
7	214006	Standard Flat Washer 1/2"
8	215000	Cotter Pin, .156" x 1.00" Long
9	225000	Compression Spring, 1.50" Long x 1-3/32" O.D. x .135" Wire dia.
10	241001	Flat Idler, 4" O.D. x 3/8" Hole (Replaced with Steel)
11	277004	Tube Spacer - Nylon 3/4" Long
12	900040	Idler Arm Assy. (Includes Bronze Bearing)
	243000	Bronze Bearing, 1/2" I.D. x 3/4" O.D. x 1.50" Long

PARTS BREAKDOWN FOR SPINDLE ASSY. (PART # 258021)

Note: Models with serial #'s ranging from (ignore the first two digits) xx07013 and greater but less than xx97058 were built with Spindle Assy. Part # 258021.

Note: If the serial number on your mower does not fall in the range listed above please see the following page (Spindle Assy. Part # 258013) to determine which spindle assy. is available for your mower.

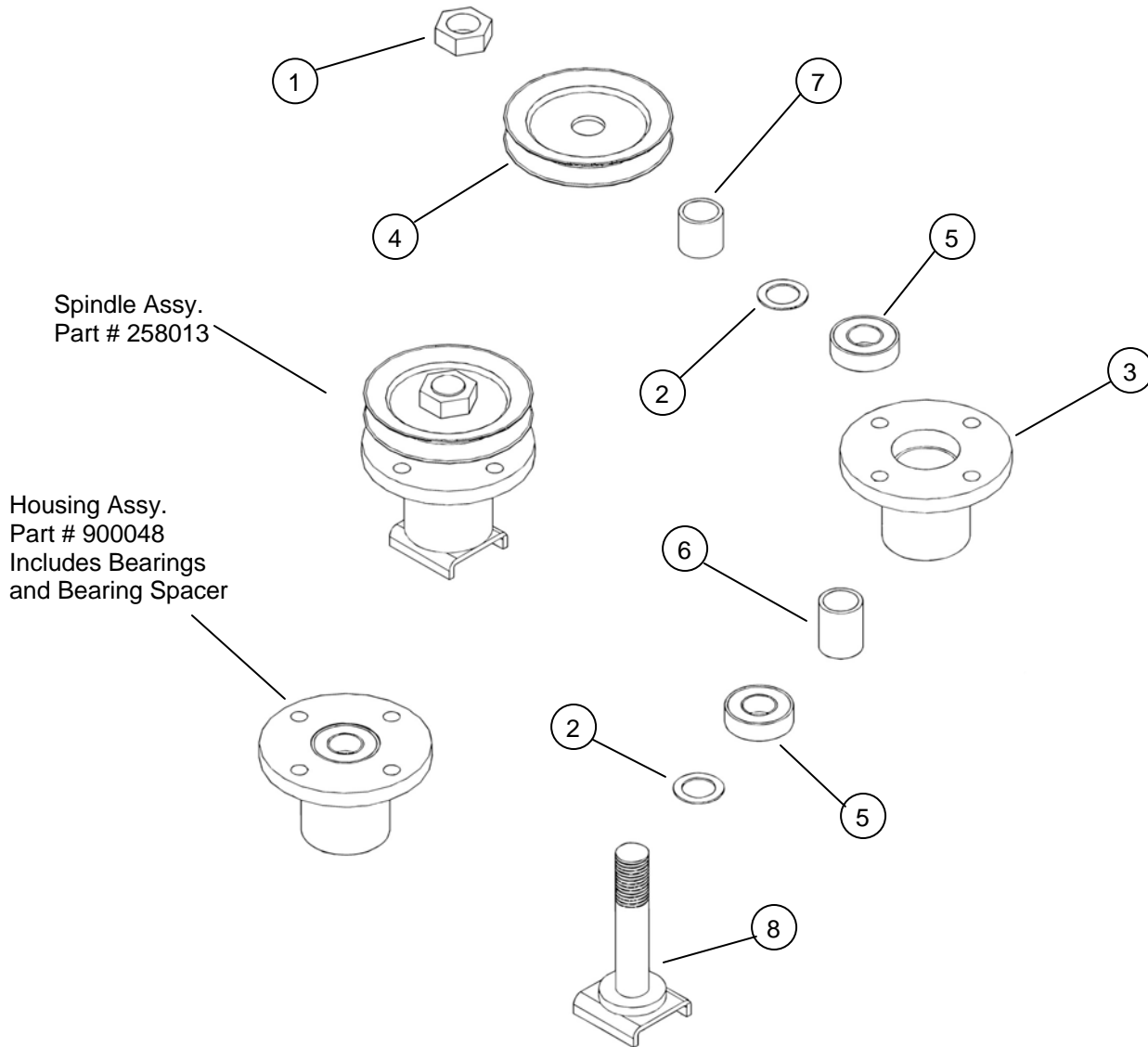


<u>Item</u>	<u>Part #</u>	<u>Description</u>
1	212010	Hex Jam Nut 1.00" - 14NF
2	214014	Machinery Washer 1.00" I.D. x 18 GA Thick
3	241007	"V" Sheave 5.25" Dia. - 25 mm Bore
4	243003	Bearing 6205 - 2RST
5	600235	Bearing Spacer
6	900045	Spindle Shaft
7	900145	Spindle Hub (Not Sold Separately, Purchase 900146)
	900146	Replacement Housing Assy.
	258021	Replacement Spindle Assy.

PARTS BREAKDOWN FOR SPINDLE ASSY. (PART # 258013)

Note: Models with serial #'s ranging from (ignore the first two digits) xx97058 to xx98141 were originally built with Spindle Assy. Part # 258010. Replacement parts no longer exist for Spindle Assy. Part # 258010. Replace with Spindle Assy. Part # 258013

Note: Models with serial #'s ranging from (ignore the first two digits) xx98147 to xx99169 and xx00009 to xx06203 were originally built with Spindle Assy. Part # 258013. Models with serial #'s ranging from xx00009 to xx06203 can be upgraded to Spindle Assy. Part # 258021.

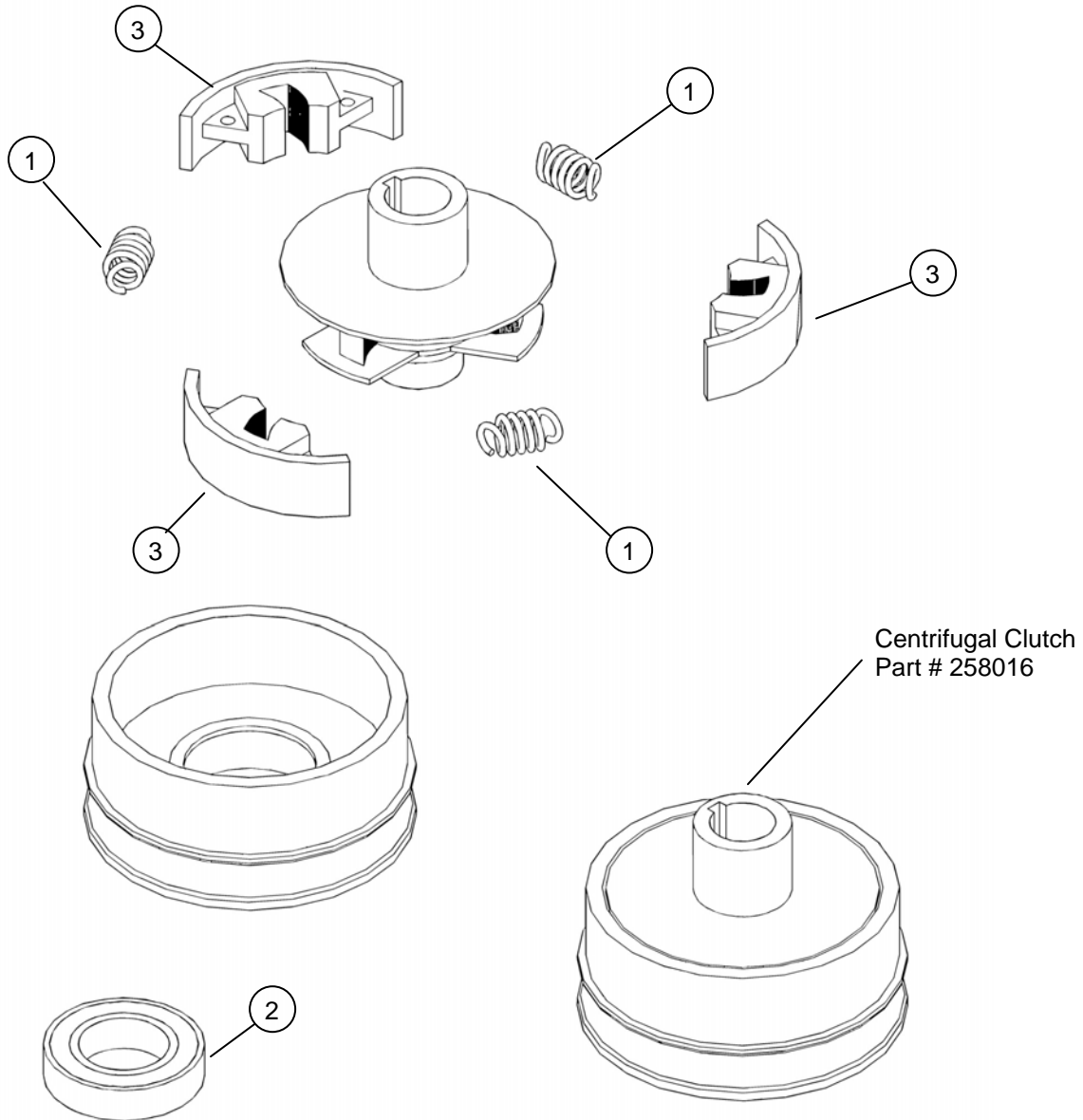


<u>Item</u>	<u>Part #</u>	<u>Description</u>
1	212010	Hex Jam Nut 1.00" - 14NF
2	214014	Machinery Washer 1.00" I.D. x 18 GA Thick
3	231001	Spindle Hub (Not Sold Separately, Purchase 900048)
4	241007	"V" Sheave 5.25" Dia. - 25 mm Bore
5	243003	Bearing 6205 - 2RST
6	600086	Bearing Spacer
7	600087	Pulley Spacer
8	900045	Spindle Shaft
	900048	Replacement Housing Assy. (Can be Upgraded to Part # 900146)
	258013	Replacement Spindle Assy. (Can be Upgraded to Part # 258021)

PARTS BREAKDOWN FOR CENTRIFUGAL CLUTCH (PART # 258007 AND 258016)

Clutch Part #258007 - (For Models C60K, H60T, H60H, C60H & H60K with the following seven digit serial numbers (ignore the first two digits)) (xx95032 – xx99171) or (xx00001 – xx04168)

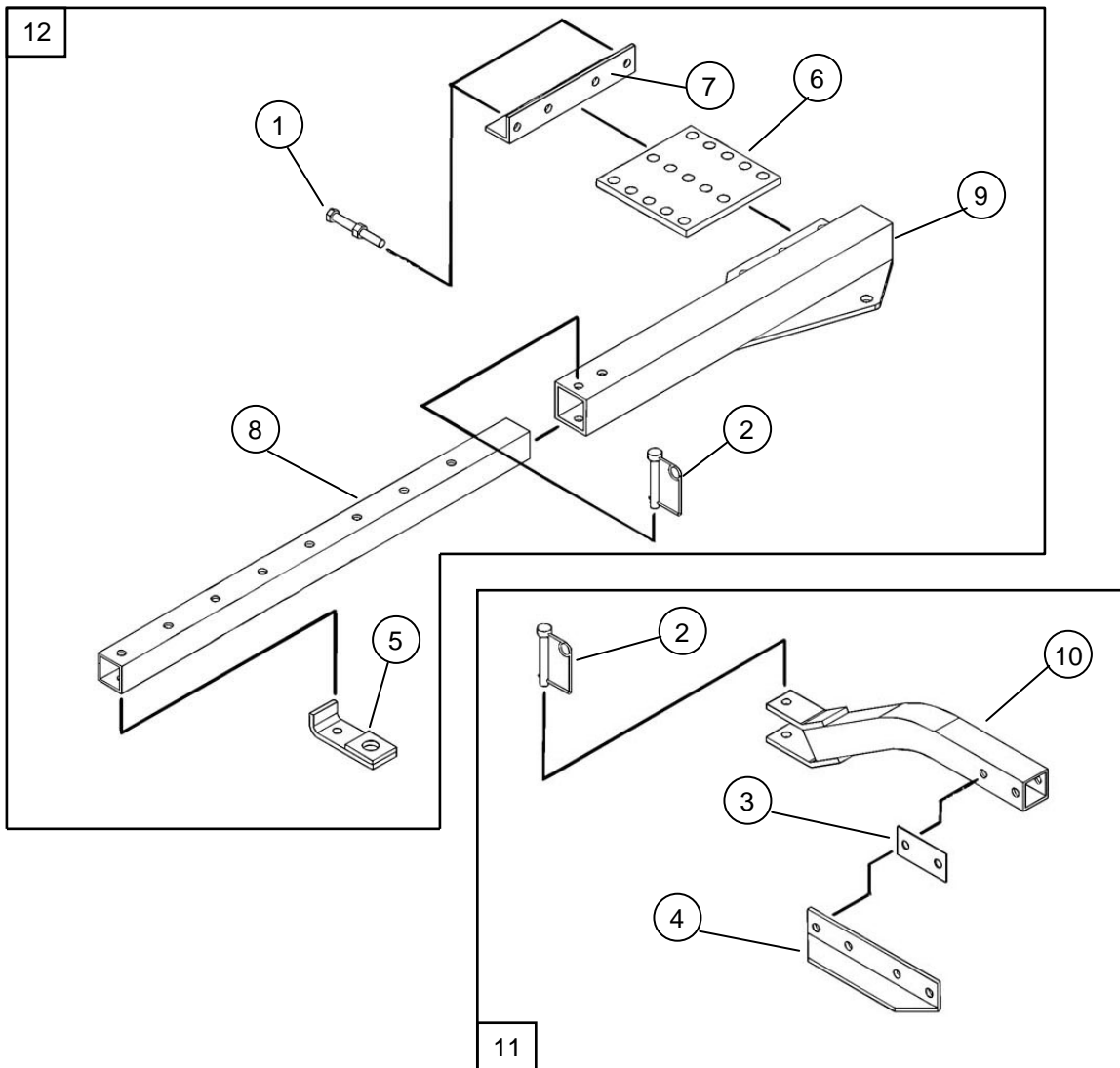
Clutch Part #258016 - (For Models C60K, H60T, H60B, H60H & C60H with the following seven digit serial numbers (ignore the first two digits)) (xx04179 – any serial # higher but less than xx95032)



<u>Item</u>	<u>Part #</u>	<u>Description</u>
1	225001	Spring, 1850 RPM Engagement (White) for 258007 Clutch
1	225004	Spring, 1850 RPM Engagement (Blue) for 258016 Clutch
2	243004	Bearing
3	258005	Clutch Shoe for 258007 Clutch
3	258017	Clutch Shoe for 258016 Clutch
		Note: This is a steel-on-steel clutch. If the clutch shoes or worn out the clutch needs to be replaced.
	258007	Replacement Clutch Assy. (Upgrade to 258016 Clutch Assy.)
	258016	Replacement Clutch Assy.

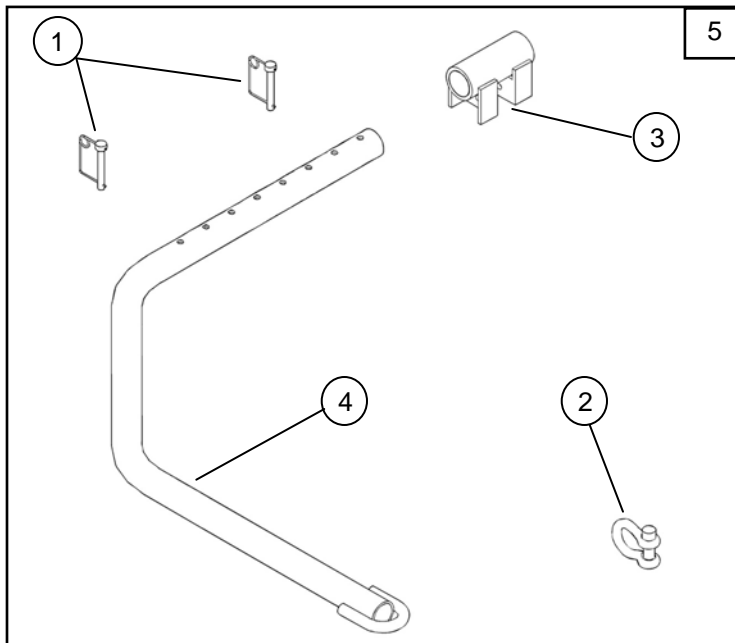
LAWN & GARDEN HITCH PARTS

(PART #'s 900013 & 900028)



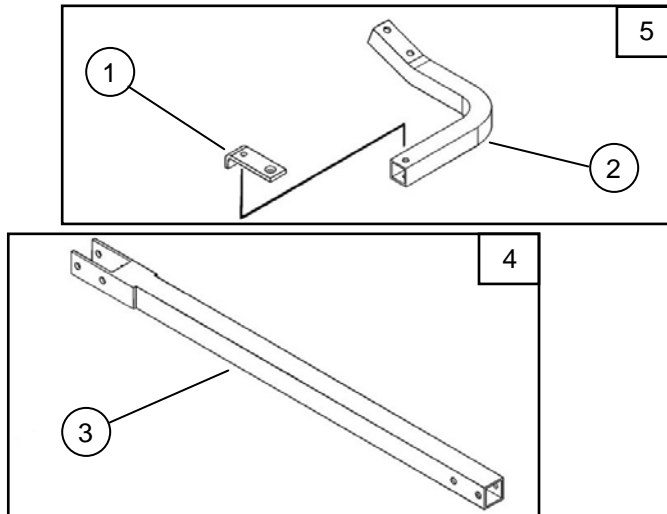
<u>Item</u>	<u>Part #</u>	<u>Description</u>
1	202135	Hex Head Bolt, 3/8" x 3" Fully Threaded
2	216006	Wire Lock Pin, 3/8" x 2-1/4" Opening
3	600001	Spacer
4	600002	Tongue Pivot Angle
5	900050	Hitch Draw Bar
6	600044	Hitch Adaptor Plate
7	600009	Hitch Stop Angle
8	600043	Hitch Extension
9	900026	Telescope Hitch
10	900007	Short Tongue
11	900013	Short Tongue Assy.
12	900028	Hitch Assy. - Telescoping (Replaces Hitch Assy. 900014)

ATV TONGUE PARTS (PART # 900084)



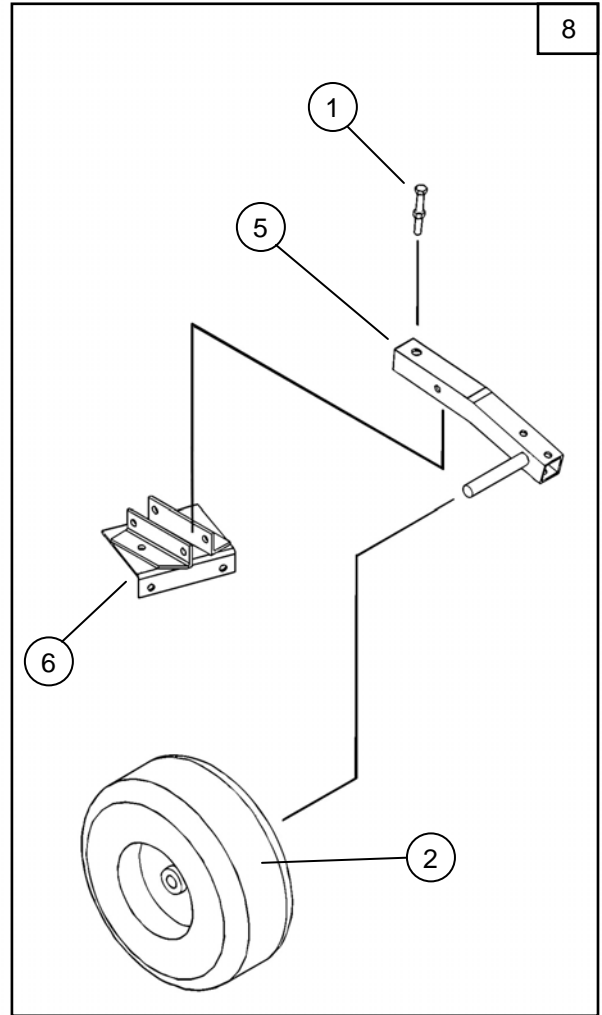
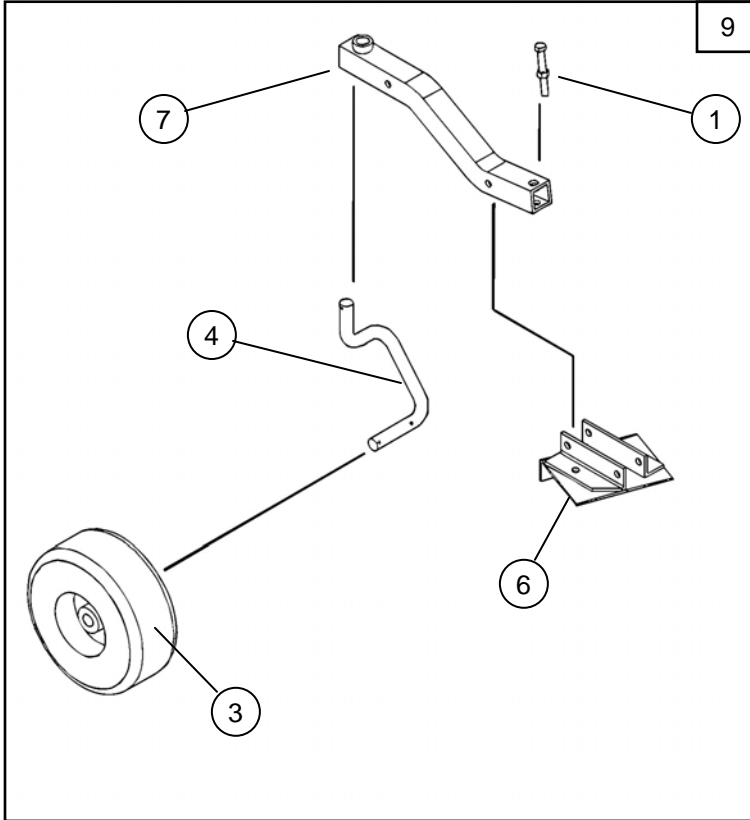
<u>Item</u>	<u>Part #</u>	<u>Description</u>
1	216002	Wire Lock Pin .31" X 2.50"
2	216009	Screw Pin Shackle Clevis
3	900057	Hitch Pivot
4	900082	Tongue
5	900084	ATV Tongue Assy.

OPTIONAL HITCH PARTS (PART #'s 900008 & 900009)



<u>Item</u>	<u>Part #</u>	<u>Description</u>
1	600006	Hitch Flat (5/16" Mounting Hole)
2	600020	Rear Hitch Tube (Replace with Rear Hitch Assy. 900009)
3	900000	Long Tongue Extension (Replace with Long Tongue Assy. 900008)
4	900008	Long Tongue Assy.
5	900009	Rear Hitch Assy.

OPTIONAL FLOATATION KIT PARTS (PART #'s 003902 & 003904)



<u>Item</u>	<u>Part #</u>	<u>Description</u>
1	202135	Hex Head Bolt (3/8" x 3" Fully Threaded)
2	226001	Offset Wheel Assy. (13/500 x 6, 2 ply turf)
	243008	Precision Sealed Wheel Bearings (1-3/8 O.D. x 3/4" I.D.)
3	226002	Centered Wheel Assy. (9/3.50 x 4, Flat Proof Urethane Foam)
	243008	Precision Sealed Wheel Bearings (1-3/8 O.D. x 3/4" I.D.)
4	600059	Caster Axle
5	900005	Rear Axle
6	900020	Wheel Support
7	900021	Caster Support
8	003902	Rear Floatation Kit
9	003904	Front Floatation Kit

MISCELLANEOUS PARTS

AIR FILTERS, OIL FILTERS, BATTERY ETC.

<u>Part #</u>	<u>Description</u>
257500	Oil Filter, Kohler (12-050-01-S) - Used on 12.5HP Kohler Command Engines (H60K)
257501	Air Filter (Includes Foam Pre-Cleaner), Kohler (12-883-05-S1) - Used on 12.5HP Kohler Command Engines (H60K)
257503	Oil Filter, Kohler (52-050-02-S) - Replace with 257500
257510	Air Filter (Includes Foam Pre-Cleaner), Honda (17211-ZF5-V01) - Used on 13HP Honda Engines (H60H)
257511	Air Filter (Filter Only Use 257512 Also), Briggs (698413) - Used on 13HP Briggs Intek (H60B-13HP)
257512	Pre-Cleaner (Use With 257511 Air Filter), Briggs (697292) - Used on 13HP Briggs Intek (H60B-13HP)
257513	Air Filter (Filter Only Use 257514 Also), Briggs (795115) - Used on 17.5HP Briggs Intek (H60B-17.5HP)
257514	Pre-Cleaner (Use With 257513 Air Filter), Briggs (697015) - Used on 17.5HP Briggs Intek (H60B-17.5HP)
257515	Air Filter (Canister Style), Briggs (591334 was796031) - Used on 19.5HP Briggs Intek (H60B-19.5HP)
257516	Oil Filter, Briggs (696854, Higher Grade Yellow) - All Briggs Models With Oil Filter
257526	Oil Filter, Tecumseh (36563) - Used on 13-13.5HP Tecumseh Enduro Engines
257527	Air Filter (Filter Only Use 257528 Also), Tecumseh (36356) - Used on 13-13.5HP Tecumseh Enduro Engines
257528	Pre-Cleaner (Use With 257527 Air Filter), Tecumseh (36357) - Used on 13-13.5HP Tecumseh Enduro Engines
257530	Air Filter (Filter Only Use 257531 Also), Briggs (793569) - Used on 19HP Briggs Professional Engines
257531	Pre-Cleaner (Use With 257530 Air Filter), Briggs (793685) - Used on 19HP Briggs Professional Engines
264004	Battery (12V AGM Sealed)
277042	Spare Key for Indak Ignition Switches (Used on 264001 & 264010)

Note: Call for Tecumseh Air Filters and Oil Filters that are not listed

OPTIONAL STARTER CABLE PARTS (Models Without a Battery Box)

<u>Part #</u>	<u>Description</u>
235005	Starter Terminal (1/4"- 20 Thread, Male End)
235006	Starter Cable (16' Long, Includes Female Plug)
235013	Starter Terminal (5/16" - 24 NF Thread, Male End)
900015	Starter Cable Assy. (16' Long, Includes Wrap Up Strap and Mounting Rivet)