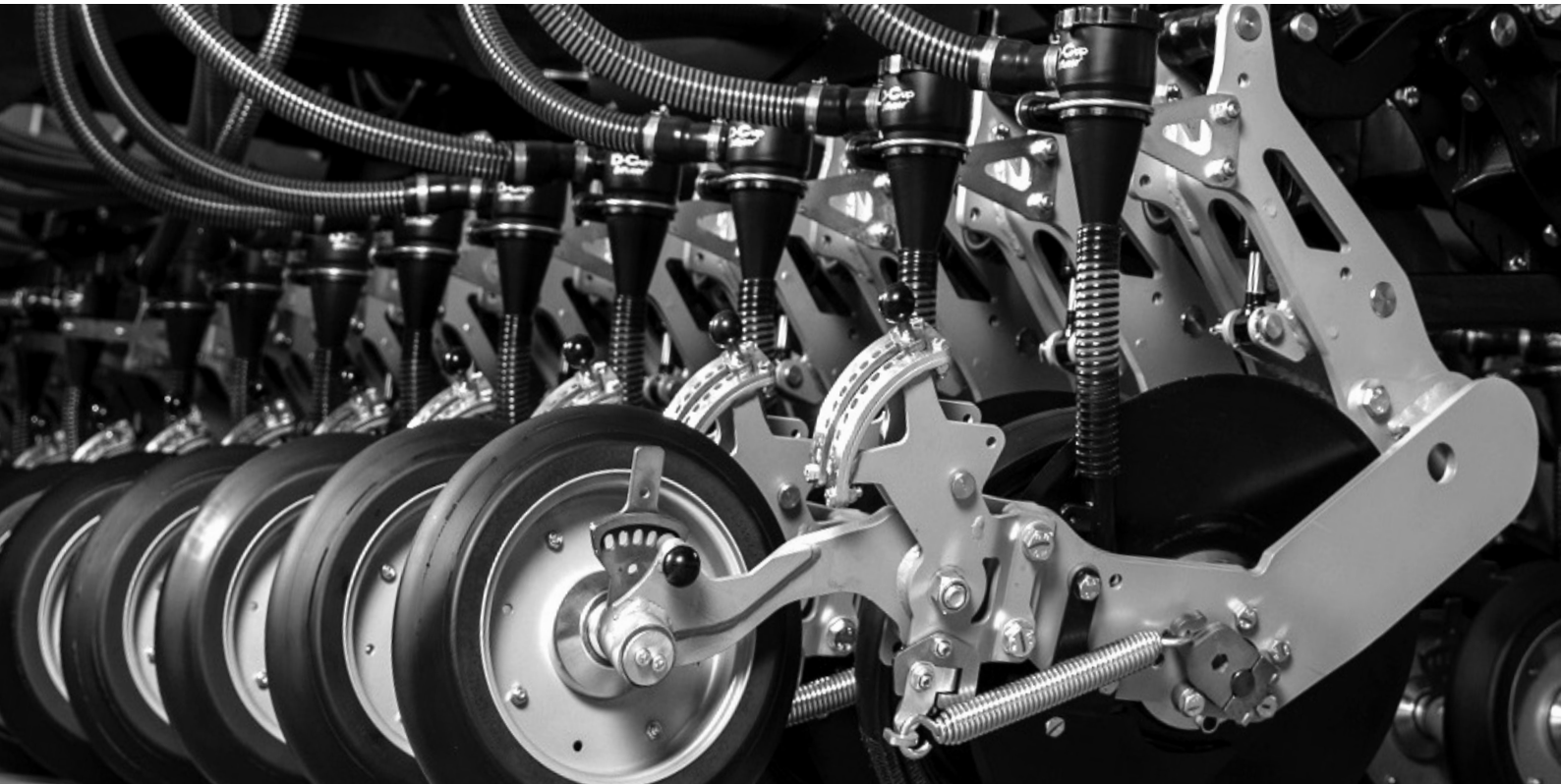


Product Information

DSX SEED DRILL



Our vision begins with the soil.

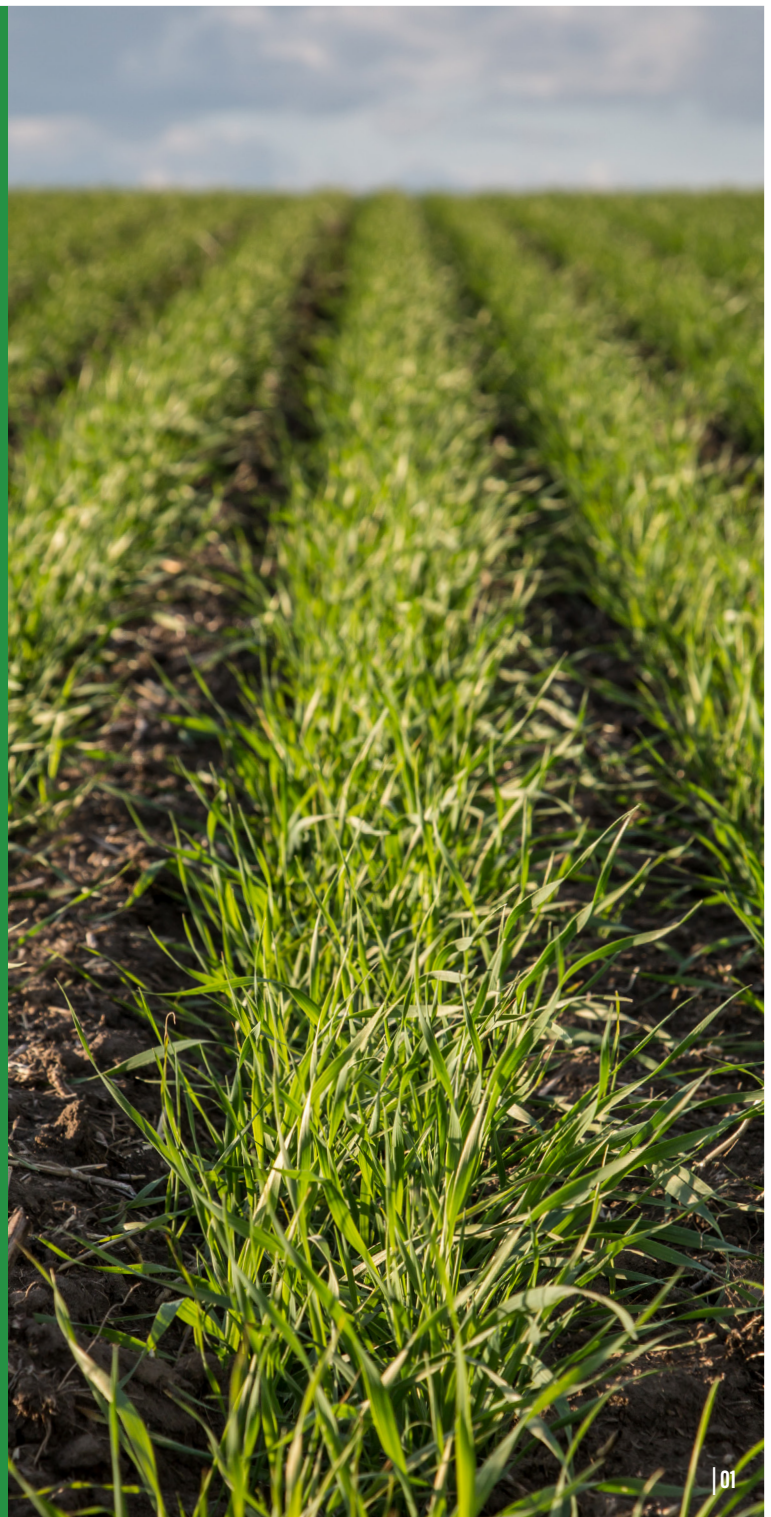
At Horizon, we believe that it is vitally important for the future of our industry, that as farmers, we properly preserve, maintain and replenish our soil. This philosophy is at the heart of everything that we do.

We are truly committed to designing and manufacturing innovative products that promote soil regeneration, whilst also helping our customers to improve productivity, yield and profitability.



George

George Sly
Managing Director



DSX SEED DRILL

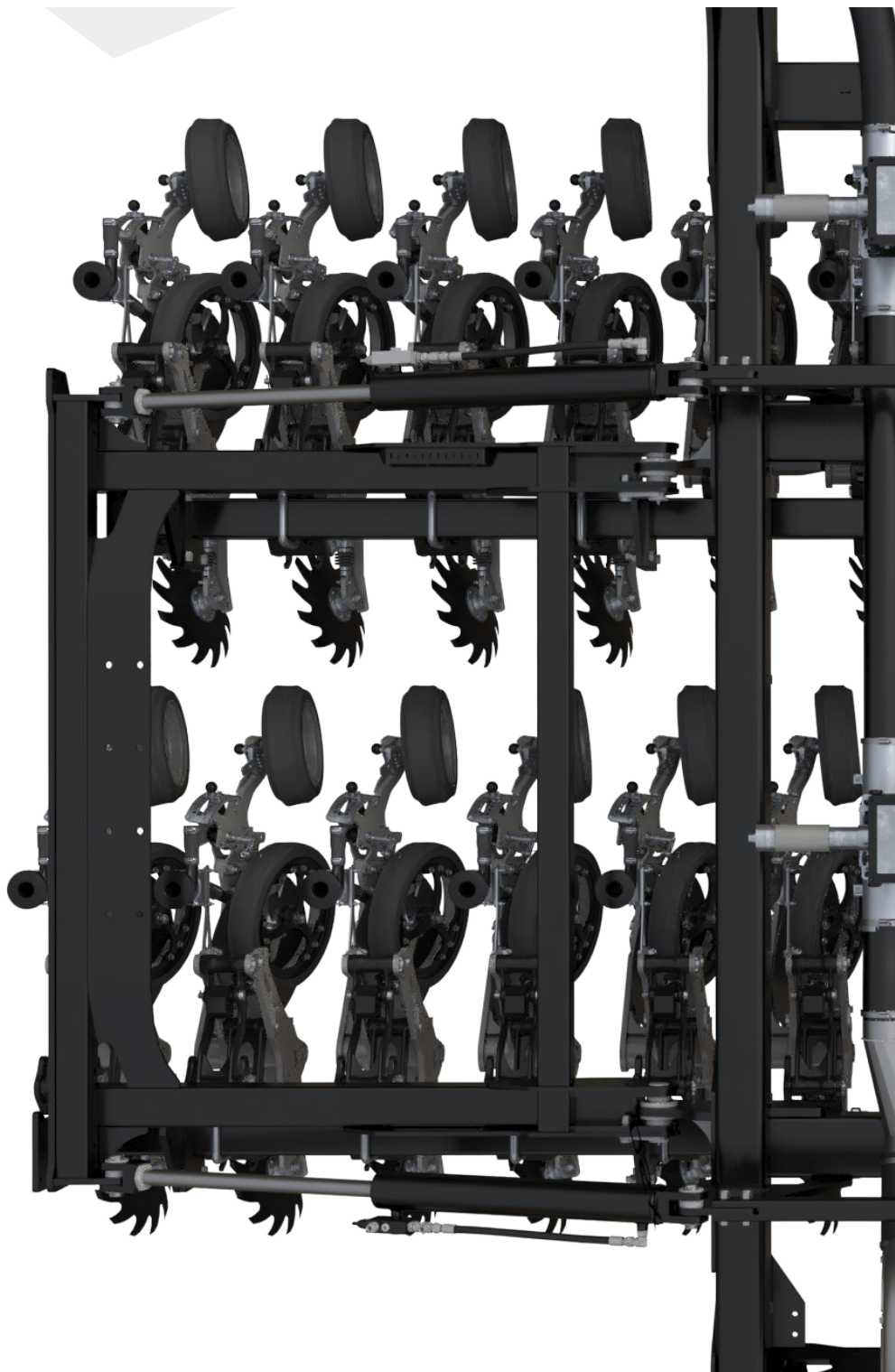
When investing in a seed drill it is best to plan for the long-term. We realise it is a large capital spend, that is why we designed our drill to be not only durable but upgradeable.

You can start simple and add to it over time, evolving the machine and your farm together at a time that suits you and overcoming agronomic challenges. Whether it be increasing the width of your machine, adding liquid fertiliser / liquid biologicals, row cleaners, automatic downforce and so on.



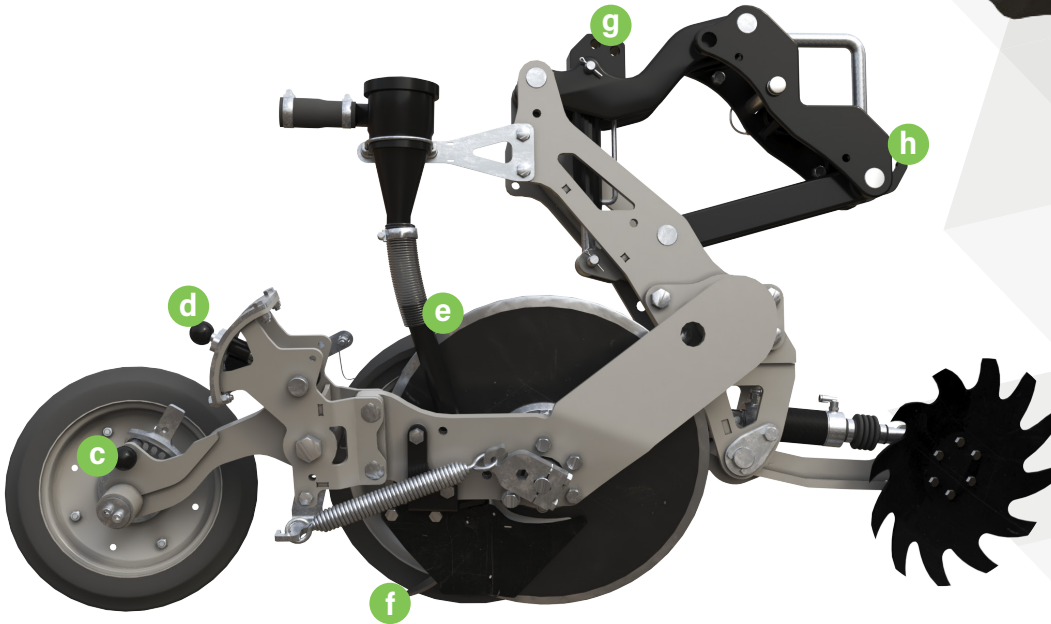
ROW OPTIONS

Frame (m)	Rows	Spacing (cm)
9	36	25
	45	20
	48	18.75
	54	16.7
8	32	25
	40	20
	43	18.75
	48	16.7
7.5	30	25
	38	20
	40	18.75
	45	16.7
7.2	29	25
	36	20
	38	18.75
	43	16.7
6.4	26	25
	32	20
	34	18.75
	38	16.7
6	24	25
	30	20
	32	18.75
	36	16.7
4.8	19	25
	24	20
	26	18.75
	28	16.7
4	16	25
	20	20
	22	18.75
	24	16.7



OPENER

- a) D-cup diffuser (zero air after the diffuser, removes all risk of seed bounce and blowout)
- b) Undercut angle, gives natural downforce and reduced furrow compaction
- c) Closing wheel angle adjustment for different soil types and tillage methods
- d) Rear gauge sets rear press wheel depth, allowing varied closing pressure, linked to downforce
- e) Seed boot with removable low-wear section
- f) Seed tab ready
- g) Individual row hydraulic downforce
- h) Cast Steel parallel linkage with grease free bushings, 320mm of vertical travel allowing even seed depth across undulating fields.



This simple, durable, single disc undercut opener is the culmination of over 35 years combined experience in no till.





ROW CLEANERS

Row cleaners remove the risk of hair pinning, which is vital in no-till disc seeding.

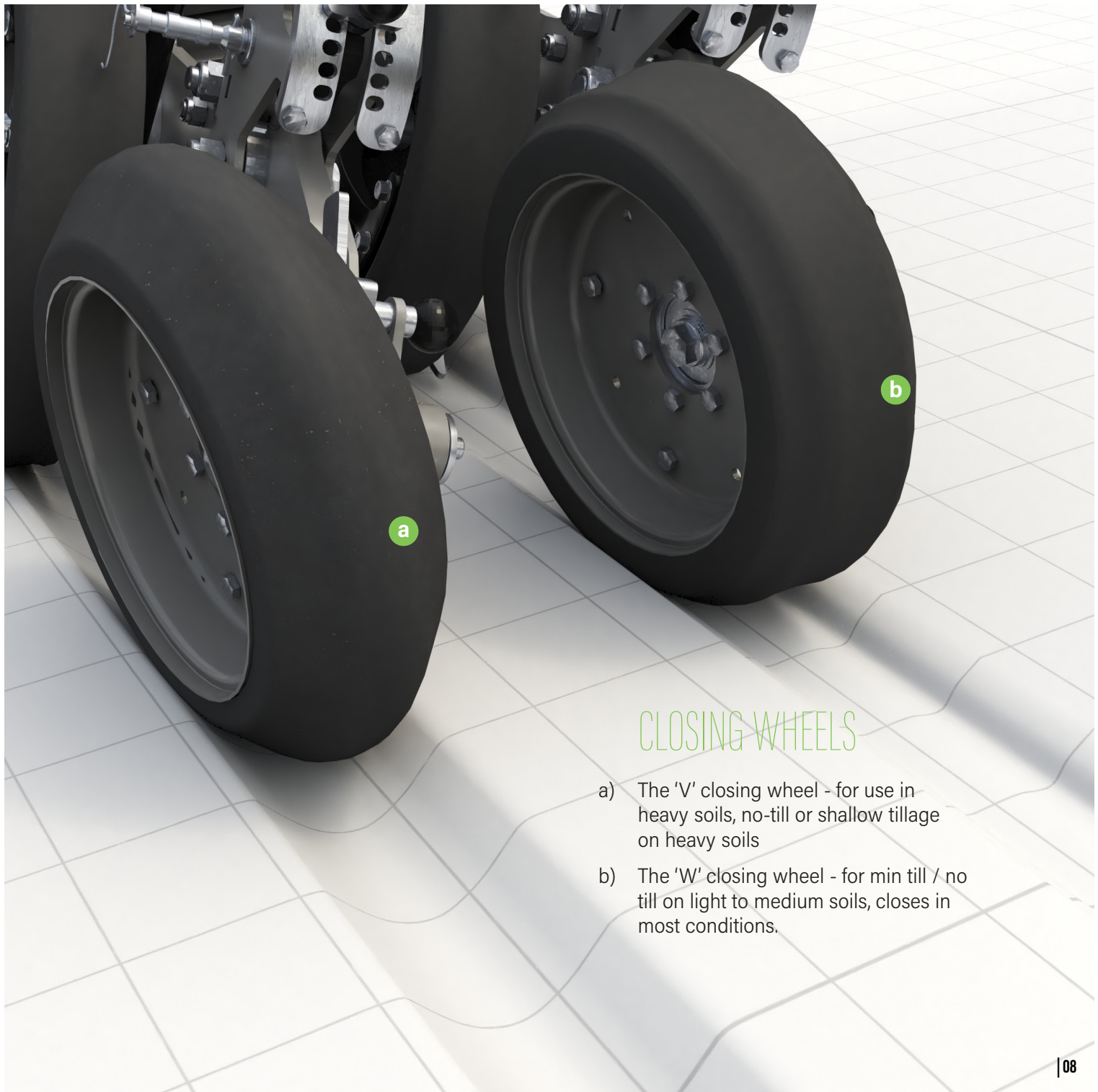
- Pneumatically actuated with Precision Planting Cleansweep controls
- Robust maintenance-free bushings for precise glide motion
- Specifically designed angles to cope with different row spacings
- Concave row cleaner wheel for dealing with all types of trash from heavy corn stalks, to chopped wheat straw.

For heavy residue, we recommend row spacing of 20cm.

HORIZON

DSX 60-16

Durability, performance, adaptability



CLOSING WHEELS

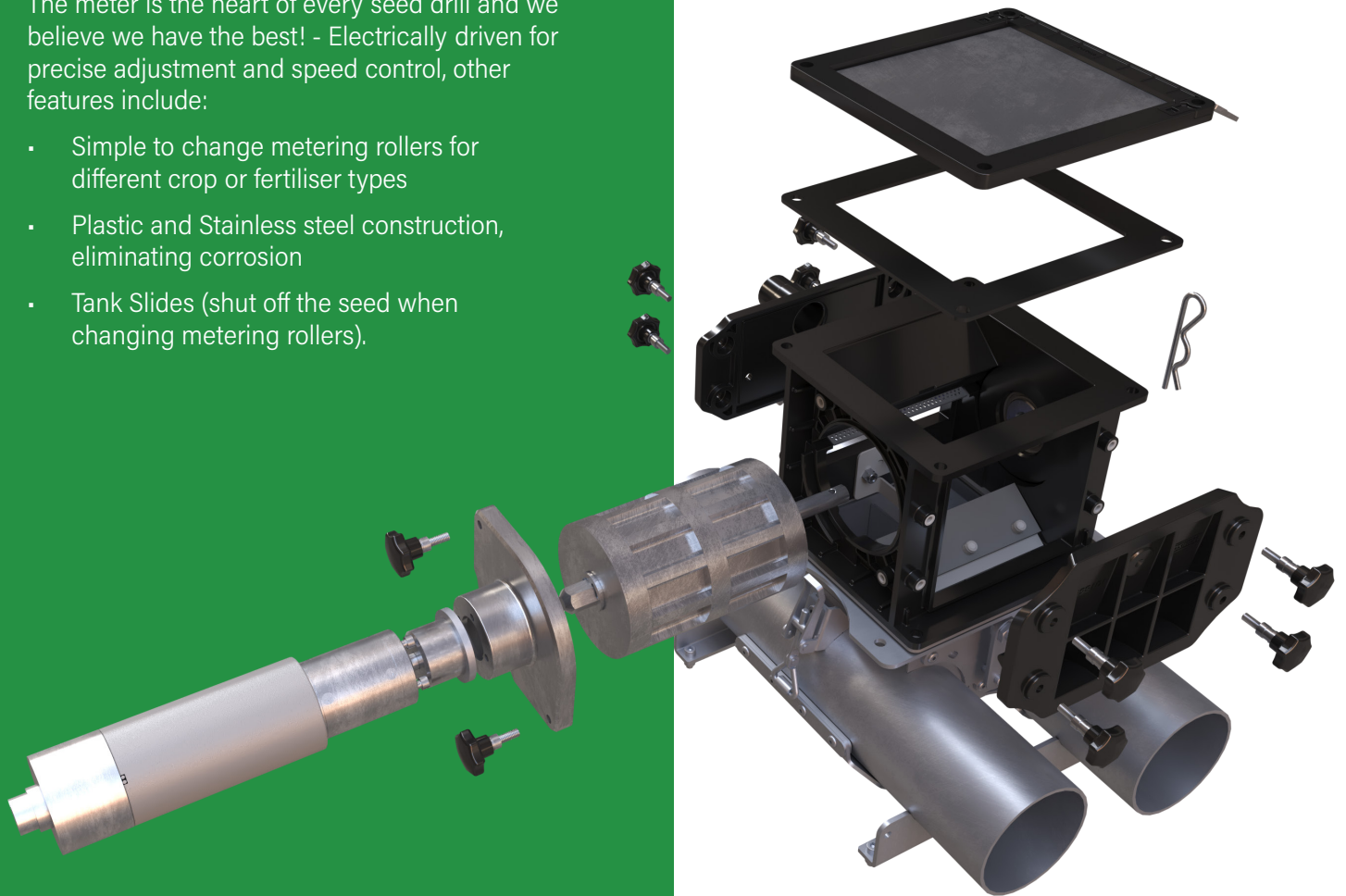
- a) The 'V' closing wheel - for use in heavy soils, no-till or shallow tillage on heavy soils
- b) The 'W' closing wheel - for min till / no till on light to medium soils, closes in most conditions.

METERING

Our in-house developed Horizon metering offers unparalleled accuracy, performance and reliability.

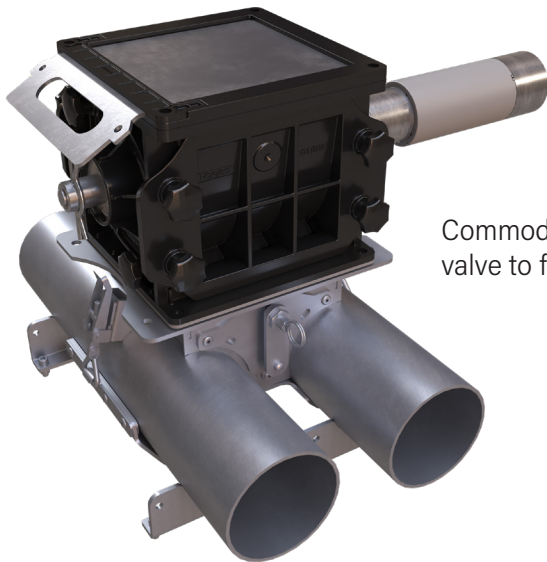
The meter is the heart of every seed drill and we believe we have the best! - Electrically driven for precise adjustment and speed control, other features include:

- Simple to change metering rollers for different crop or fertiliser types
- Plastic and Stainless steel construction, eliminating corrosion
- Tank Slides (shut off the seed when changing metering rollers).

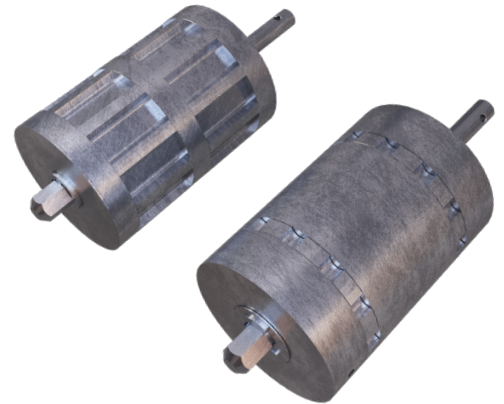


SEED TANKS

2 Tanks (2650L / 1750L) or 3 Tanks (2250L / 400L / 1750L available.
A third seed tank and meter available from new or as a retro fit
upgrade kit.



Commodity switching via tank
valve to front, rear or all openers.



A wide array of metering rollers
are available, for grains, fertilisers,
cover crops.



FERTILISER TANKS

We are one of the only manufacturers to offer factory-fitted liquid fertiliser options, including a 1500 litre liquid tank, which can be rear or front mounted.



Purchasing a liquid system alongside your DSX seed drill results in a high quality, integrated solution.





FLOW MANIFOLD

Each manifold row has a dedicated flow-tube with integrated flow indicator, visible from the tractor cabin. Flow tubes also include check valves, to minimise dripping when turning on headlands, significantly reducing waste.

DSX SPECIFICATIONS

Standard: ✓ Option: O	4m				4.8m				6m				6.4m				7.2m				7.5m				8m				9m			
Rows	24	22	20	16	28	26	24	19	36	32	30	24	38	34	32	26	43	38	36	29	45	40	38	30	48	43	40	32	54	48	45	36
Spacing (cm)	16.7	18.75	20	25	16.7	18.75	20	25	16.7	18.75	20	25	16.7	18.75	20	25	16.7	18.75	20	25	16.7	18.75	20	25	16.7	18.75	20	25	16.7	18.75	20	25
Hopper capacity (l) (60:40 hopper)	2760:1840																															
Hopper capacity (l) (60:10:30 hopper)	2760:460:13																															
Fan	Hydraulic																															
Hitch type	CAT III																															
Transport width (folded) (m)	3.0	3.0	3.0	3.0	3.0	3.0	3.0	3.0	3.0	3.0	3.0	3.0	3.0	3.0	3.0	3.0	3.0	3.0	3.0	3.0	3.0	3.0	3.0	3.0	3.0	3.0	3.0	3.4	3.4	3.4	3.4	
Transport height (folded) (m)	3.7	3.7	3.7	3.7	3.7	3.7	3.7	3.7	3.7	3.7	3.7	3.7	3.7	3.7	3.7	4.1	4.1	4.1	4.1	4.25	4.25	4.25	4.25	3.7	3.7	3.7	3.7	3.95	3.95	3.95	3.95	
Transport length (folded) (m)	7.5	7.5	7.5	7.5	7.5	7.5	7.5	7.5	7.5	7.5	7.5	7.5	7.5	7.5	7.5	7.5	7.5	7.5	7.5	7.5	7.5	7.5	7.5	7.5	7.5	7.5	7.5	7.5	7.5	7.5	7.5	
RDS ISOCAN	✓	✓	✓	✓	✓	✓	✓	✓	✓	✓	✓	✓	✓	✓	✓	✓	✓	✓	✓	✓	✓	✓	✓	✓	✓	✓	✓	✓	✓	✓	✓	
Variable seed rate	O	O	O	O	O	O	O	O	O	O	O	O	O	O	O	O	O	O	O	O	O	O	O	O	O	O	O	O	O	O	O	
GPS variable seed rate	O	O	O	O	O	O	O	O	O	O	O	O	O	O	O	O	O	O	O	O	O	O	O	O	O	O	O	O	O	O	O	
Hydraulic brakes	✓	✓	✓	✓	✓	✓	✓	✓	✓	✓	✓	✓	✓	✓	✓	✓	✓	✓	✓	✓	✓	✓	✓	✓	✓	✓	✓	✓	✓	✓	✓	
Front / rear hopper separation	✓	✓	✓	✓	✓	✓	✓	✓	✓	✓	✓	✓	✓	✓	✓	✓	✓	✓	✓	✓	✓	✓	✓	✓	✓	✓	✓	✓	✓	✓	✓	
710 / 50 wheels	✓	✓	✓	✓	✓	✓	✓	✓	✓	✓	✓	✓	✓	✓	✓	✓	✓	✓	✓	✓	✓	✓	✓	✓	✓	✓	✓	✓	✓	✓	✓	
"V" press wheel	✓	✓	✓	✓	✓	✓	✓	✓	✓	✓	✓	✓	✓	✓	✓	✓	✓	✓	✓	✓	✓	✓	✓	✓	✓	✓	✓	✓	✓	✓	✓	
Internal disc scraper	O	O	O	O	O	O	O	O	O	O	O	O	O	O	O	O	O	O	O	O	O	O	O	O	O	O	O	O	O	O	O	
Variable rate unlock	O	O	O	O	O	O	O	O	O	O	O	O	O	O	O	O	O	O	O	O	O	O	O	O	O	O	O	O	O	O	O	
Tramline valves 2 or 4	O	O	O	O	O	O	O	O	O	O	O	O	O	O	O	O	O	O	O	O	O	O	O	O	O	O	O	O	O	O	O	
Hopper / reversing cameras	O	O	O	O	O	O	O	O	O	O	O	O	O	O	O	O	O	O	O	O	O	O	O	O	O	O	O	O	O	O	O	
Blockage sensors	O	O	O	O	O	O	O	O	O	O	O	O	O	O	O	O	O	O	O	O	O	O	O	O	O	O	O	O	O	O	O	
Front trash wheels with CleanSweep control	O	O	O	O	O	O	O	O	O	O	O	O	O	O	O	O	O	O	O	O	O	O	O	O	O	O	O	O	O	O	O	
Rear trash wheels with CleanSweep control	O	O	O	O	O	O	O	O	O	O	O	O	O	O	O	O	O	O	O	O	O	O	O	O	O	O	O	O	O	O	O	
"W" press wheel	O	O	O	O	O	O	O	O	O	O	O	O	O	O	O	O	O	O	O	O	O	O	O	O	O	O	O	O	O	O	O	
850 wheels and tyre upgrade	O	O	O	O	O	O	O	O	O	O	O	O	O	O	O	O	O	O	O	O	O	O	O	O	O	O	O	O	O	O	O	
Air brakes	O	O	O	O	O	O	O	O	O	O	O	O	O	O	O	O	O	O	O	O	O	O	O	O	O	O	O	O	O	O	O	
Seed firmers	O	O	O	O	O	O	O	O	O	O	O	O	O	O	O	O	O	O	O	O	O	O	O	O	O	O	O	O	O	O	O	
ISOBUS cable (power from ISOBUS socket)	O	O	O	O	O	O	O	O	O	O	O	O	O	O	O	O	O	O	O	O	O	O	O	O	O	O	O	O	O	O	O	
Liquid fertiliser kit (1500L tank and 30 l/min) electric pump and controller	O	O	O	O	O	O	O	O	O	O	O	O	O	O	O	O	O	O	O	O	O	O	O	O	O	O	O	O	O	O	O	



regeneration through innovation

HORIZON
AGRICULTURE

T: +44 (0) 1945 440 999
W: horizonagriculture.com
E: info@horizonagriculture.com



Scan for
product
animation

MADE IN
BRITAIN

Sly Agri Ltd, Registered in England: 5930757
Cliftons Bridge, Fishergate, Sutton St James, Spalding, Lincolnshire, PE12 0EZ