

MODELS MR55T, MR55B(17HP-23HP), MR55K & MR55H

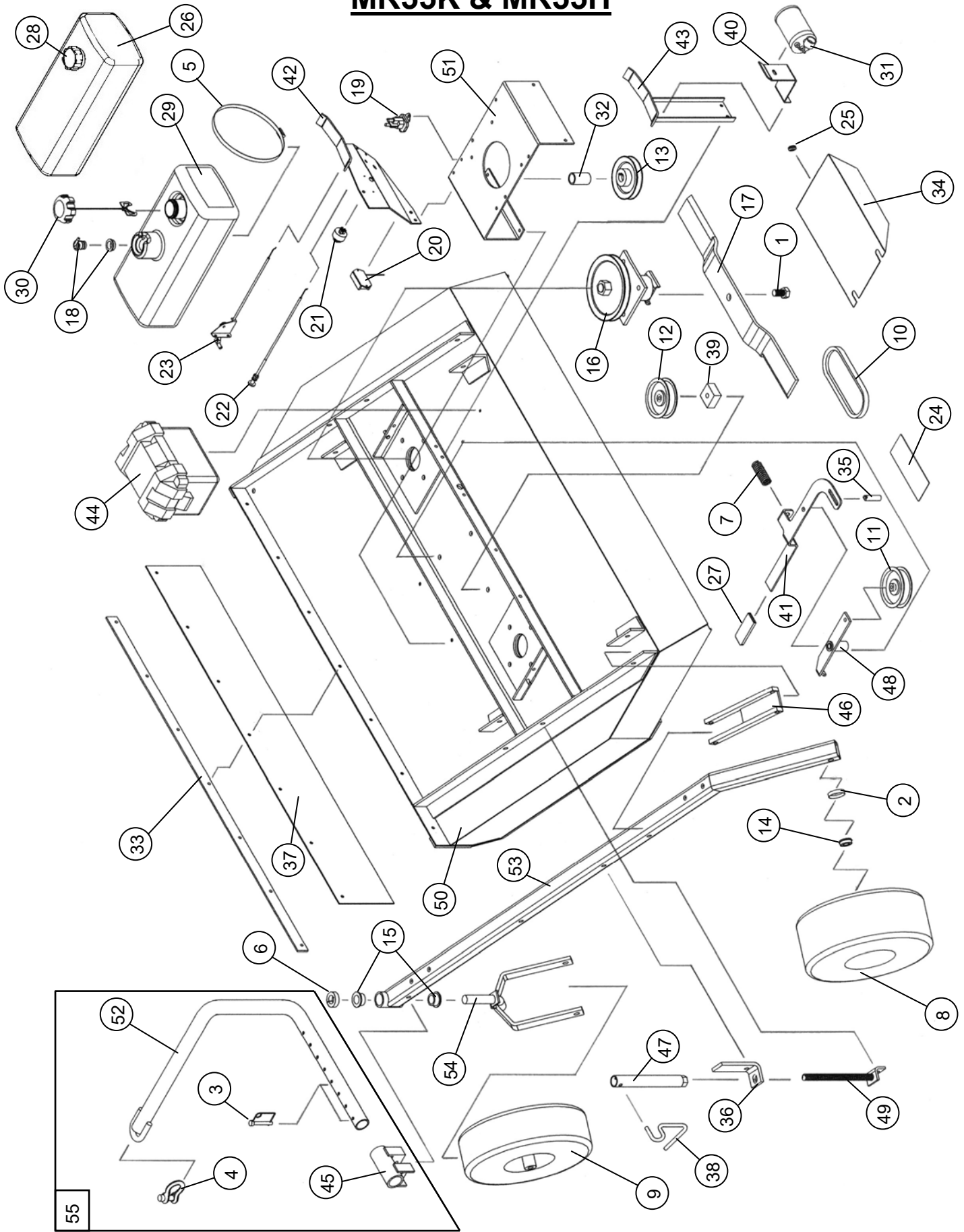
(See drawings below for additional parts)

<u>Item</u>	<u>Part #</u>	<u>Description</u>
1	202141	Blade Bolt (3/4"-16NF x 1-1/4")
2	214021	Cup Washer (For Smaller 1-3/8" O.D. Bearing)
2	214030	Cup Washer (For Larger 2" O.D. Bearing)
3	216002	Wire Lock Pin, .31" x 2.50"
4	216009	Screw Pin Shackle Clevis
5	222005	Worm Drive Hose Clamp (7-7/8" to 9-1/8" Clamping Dia.)
6	222012	Single Split Collar (1" I.D. x 1/2" Thick)
7	225003	Compression Spring, 3" Long x 1-3/32" O.D. x .135" Wire dia. (Clutch Drawing Below)
7	225005	Compression Spring, 4.50" Long x 1-3/32" O.D. x .125" Wire dia. (Clutch Drawing Below)
8	226012	Offset Wheel Assy. (15/600 x 6, 4 Ply Turf) (See Wheel Assy. Drawing Below)
9	226013	Centered Wheel Assy. (5.30/4.50 x 6, 4 Ply Stud) (See Wheel Assy. Drawing Below)
10	238004	"V" Belt, .62" x 95.9" O.C.
11	241001	Flat Idler, 4" O.D. x 3/8" Hole (Replaced with Steel)
12	241009	Flat Idler (Steel), 4" O.D. x 1/2" Hole
13	241010	"V" Sheave, 5" Dia. 1" Bore (Replaces 241006)
14	243007	Precision Sealed Wheel Bearings (1-3/8" O.D. x 5/8" I.D.)
14	243015	Precision Sealed Wheel Bearings (2" O.D. x 1" I.D.)
15	243010	Plastic Bearing (1-3/8" O.D. x 1.00" I.D., Flange, Nylon)
16	258015	Spindle Assy. (See Spindle Drawing Below)
16	258022	Spindle Assy. (See Spindle Drawing Below)
17	259002	Offset Mower Blade, 2-1/2" Wide, 30" Long, 3/4" Hole
18	260004	Roll-Over / Fuel Vapor Valve (Includes Gromet)
19	264000	Solenoid (Only on Models MR55B (17HP-23HP) & MR55T) (Replaces 264002)
20	264003	Hour/Tach Meter (Optional) (Standard on MR55H)
21	264010	Ignition Switch (7 Spade) (Pre 2007 Models Require 264001 (5 Spade))
21	264001	Ignition Switch (5 Spade) (Can be Upgraded to 264010 with Conversion Plug)
22	269000	Choke Control, 20" (Model MR55B (17HP-19.5HP) & MR55T)
22	269007	Choke Control, 22.5" (Model MR55K & MR55H)
22	269010	Choke Control, 27" (Model MR55B (22HP-23HP))
23	269001	Throttle Control, 15" (Model MR55B (17HP-19.5HP) & MR55T)
23	269008	Throttle Control, 46" (Model MR55K)
23	269009	Throttle Control, 27" (Model MR55B (22HP-23HP) & MR55H)
24	275001	Control Panel Decal, Starting Instructions
24	275002	Warning Decal General
24	275003	Danger Decal, Cut Finger
24	275011	Clutch Engagement Decal
24	275007	Warning Decal, Belt Shield
24	275019	Name Decal, Kunz
24	275021	Name Decal, AcrEase (Replaces 257009 & 257017)
24	275022	Name Decal, 57" Rough Cut
25	277002	Rubber Gromet
26	277010	Fuel Tank, 3-3/4 Gal. Plastic (Replace with 277034 and Use 277013)
	277041	Fuel Tank Grommet (Bottom Petcock Location)
27	277011	Handle Grip
28	277013	Gas Cap - Venting Style (For Fuel Tank 277010 and with Fuel Tank 277035 Without Vent Hose)
29	277034	Fuel Tank, 3 Gal. (Replaces Fuel Tank 277010)
		<i>Note: Fuel Tank 277034 is an EPA Certified Component . Only Replace with Fuel Tank 277034.</i>
	277041	Fuel Tank Grommet (Bottom Petcock Location)
29	277040	Fuel Tank, 3 Gal. , 3-Layer (Used on 2013 Models and Newer)
		<i>Note: Fuel Tank 277040 is an EPA Certified Component . Only Replace with Fuel Tank 277040.</i>
	277041	Fuel Tank Grommet (Bottom Petcock Location)

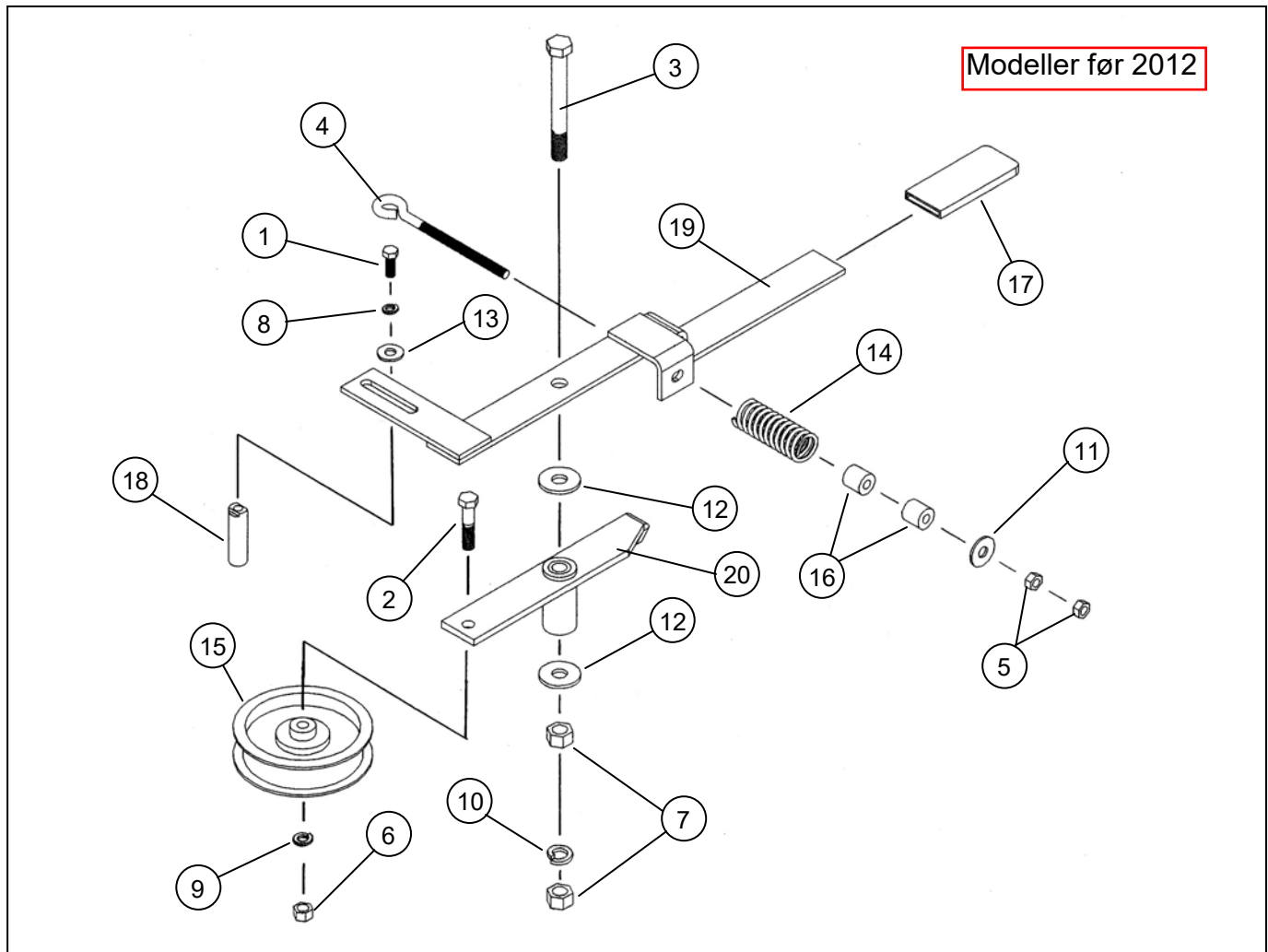
Bestil dele på roedkilde.com

<u>Item</u>	<u>Part #</u>	<u>Description</u>
30	277035	Gas Cap - Audible Click/Tethered, Non-Venting (Only Use with Fuel Tanks with Vent Hose) <i>Note: Gas Cap 277035 is an EPA Certified Component . Only Replace with Gas Cap 277035.</i>
31	277036	Carbon Canister - 300cc (California Only) <i>Note: Canister 277036 is an EPA Certified Component . Only Replace with Canister 277036.</i>
32	600071	Spacer, 1.38" O.D. x 1.33" Wall x 2.19" Long (MR55B (17HP-23HP), MR55T & MR55H)
32	600173	Spacer, 1.38" O.D. x 1.33" Wall x 2.25" Long (MR55K)
33	600126	Flap Retainer Strip
34	600133	Belt Sheild (Same Sheild Used on Both Sides)
35	600136	Brake Stud
36	600142	Upper Pivot Support
37	600143	Safety Belting
38	600146	Crank Arm (Includes Press-on Nut)
39	600189	Idler Spacer Block
40	600290	Canister Support (California Only)
41	600294	Clutch Arm (Replaces 900063) (Clutch Drawing Below)
42	600305	Control Panel (Replaces 900023)
43	600306	Tank Support (Replaces 900079)
44	900049	Battery Box Assy.
	264004	Battery (12V AGM Sealed)
45	900058	Hitch Pivot
46	900061	Pivot Arm
47	900062	Height Adjust Nut
48	900065	Idler Arm Assy. (Includes Bronze Bearings) (Clutch Drawing Below)
	243005	Bronze Bearing, 1/2" I.D. x 3/4" O.D. x .75" Long (Requires 2)
48	900193	Idler Arm Assy. (Includes Bronze Bearings) (5/8" Bore) (Clutch Drawing Below)
	243016	Bronze Bearing, 5/8" I.D. x 3/4" O.D. x .75" Long (Requires 2)
49	900066	Screw Adjuster
50	900069	Mower Deck (Call to Order)
51	900071	Engine Support Bracket (Model MR55B (17HP-19.5HP & MR55T)(Replace with 600172)
51	600172	Engine Support Bracket (Model MR55K, MR55B (22HP-23HP) & MR55H)
52	900082	Tongue
53	900106	Carrier Arm (Replaces 900072 & 900095, Also Requires Two of 243010)
54	900148	Caster Fork (Includes 1" Washers) (Replaces Caster Fork 900073, Also Requires 222012)
55	900083	ATV Tongue Assy. (Includes all Mounting Hardware and Pins)

PARTS DRAWING FOR MODELS MR55T, MR55B(17HP-23HP), MR55K & MR55H



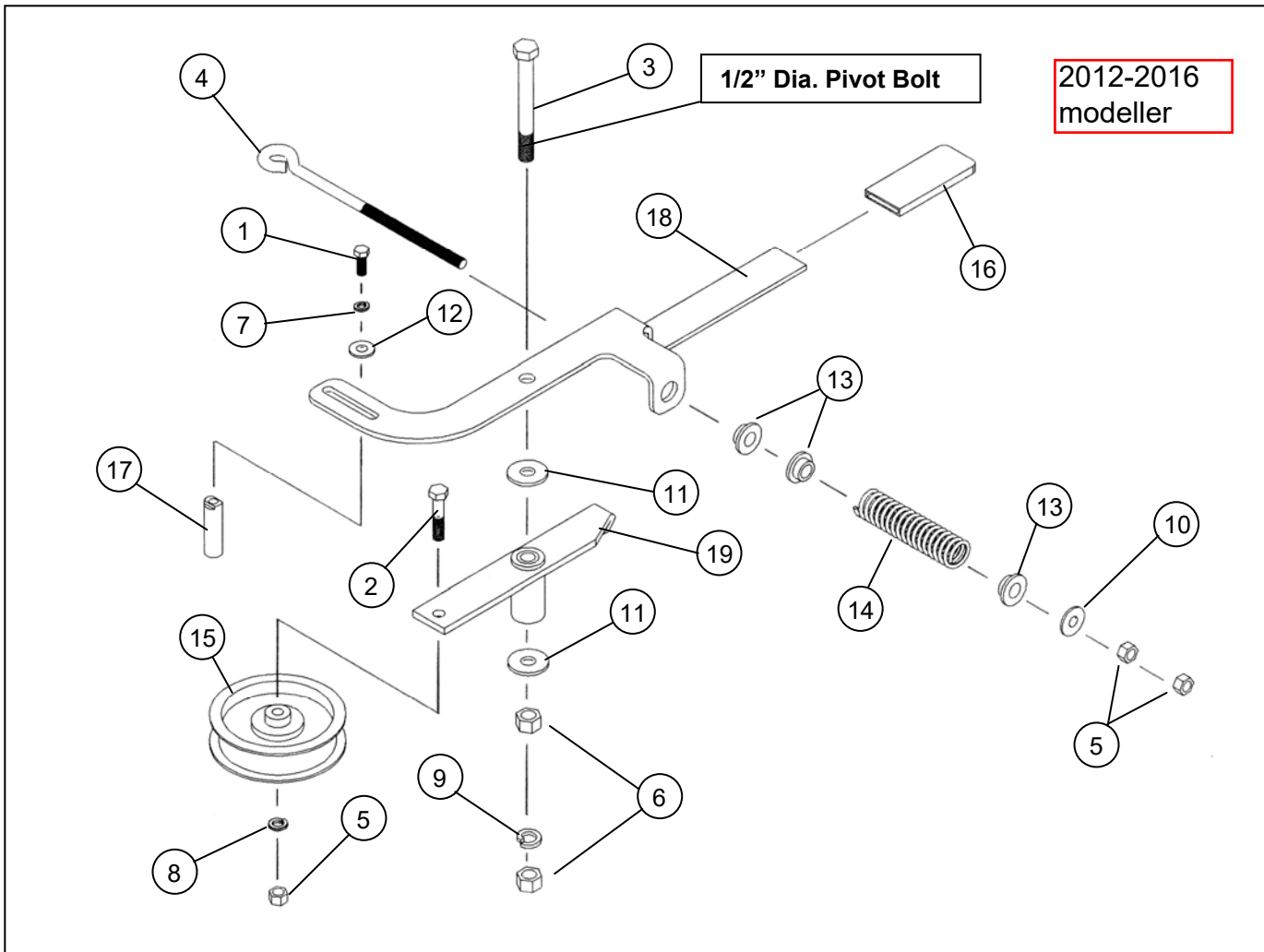
CLUTCH BLADE ENGAGEMENT PARTS - (3" SPRING VERSION)



Item	Part #	Description
1	202019	Hex Head Bolt 5/16" x 3/4" Long
2	202041	Hex Head Bolt 3/8" x 1-3/4" Long
3	202150	Hex Head Bolt 1/2" x 4-1/4" Long
4	204005	Eye Bolt 5/16" x 5" Usable Length
5	212001	Hex Nut 5/16"
6	212002	Hex Nut 3/8"
7	212003	Hex Nut 1/2"
8	214001	Lock Washer 5/16"
9	214002	Lock Washer 3/8"
10	214003	Lock Washer 1/2"
11	214005	Standard Flat Washer 3/8"
12	214006	Standard Flat Washer 1/2" (Replaces All Other Washers in this Location)
13	214017	Standard Flat Washer 5/16"
14	225003	Compression Spring, 3" Long x 1-3/32" O.D. x .135" Wire dia.
15	241001	Flat Idler, 4" O.D. x 3/8" Hole (Replaced with Steel)
16	277004	Tube Spacer - Nylon 3/4" Long
17	277011	Handle Grip
18	600136	Brake Stud
19	900063	Clutch Arm (Upgrade to 600294, Shown on Next Drawing)
20	900065	Idler Arm Assy. (Includes Bronze Bearings)
	243005	Bronze Bearing, 1/2" I.D. x 3/4" O.D. x .75" Long (Requires 2)

CLUTCH BLADE ENGAGEMENT PARTS

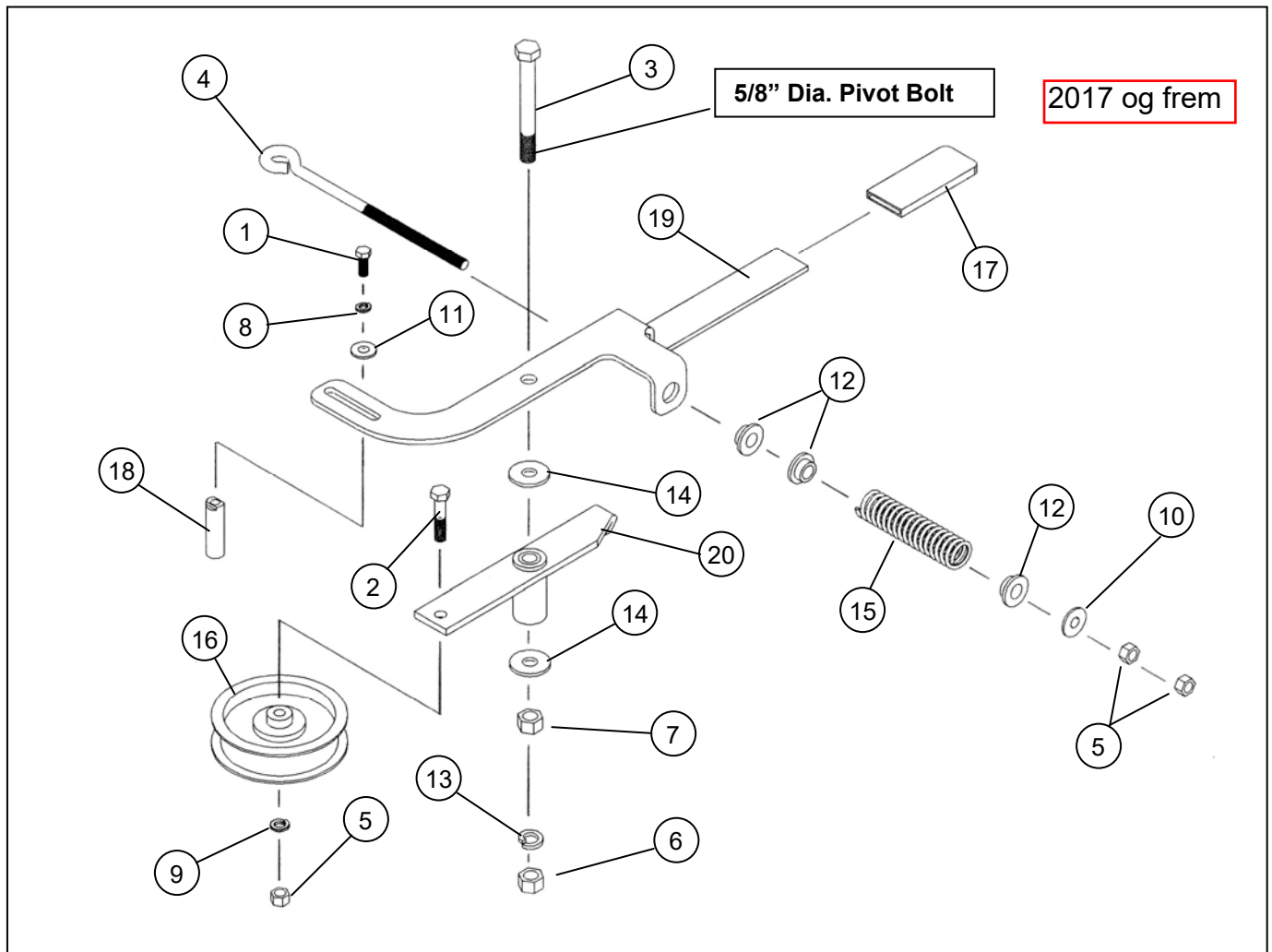
(4.5" SPRING VERSION WITH 1/2" DIA. PIVOT BOLT)



Item	Part #	Description
1	202019	Hex Head Bolt 5/16" x 3/4" Long
2	202041	Hex Head Bolt 3/8" x 1-3/4" Long
3	202150	Hex Head Bolt 1/2" x 4-1/4" Long
4	204016	Eye Bolt 3/8" x 8" Usable Length
5	212002	Hex Nut 3/8"
6	212003	Hex Nut 1/2"
7	214001	Lock Washer 5/16"
8	214002	Lock Washer 3/8"
9	214003	Lock Washer 1/2"
10	214005	Standard Flat Washer 3/8"
11	214006	Standard Flat Washer 1/2" (Replaces All Other Washers in this Location)
12	214017	Standard Flat Washer 5/16"
13	214027	Shoulder Washer - Nylon
14	225005	Compression Spring, 4.50" Long x 1-3/32" O.D. x .125" Wire dia.
15	241001	Flat Idler, 4" O.D. x 3/8" Hole (Replaced with Steel)
16	277011	Handle Grip
17	600136	Brake Stud
18	600294	Clutch Arm (Replaces 900063)
19	900065	Idler Arm Assy. (Includes Bronze Bearings)
	243005	Bronze Bearing, 1/2" I.D. x 3/4" O.D. x .75" Long (Requires 2)

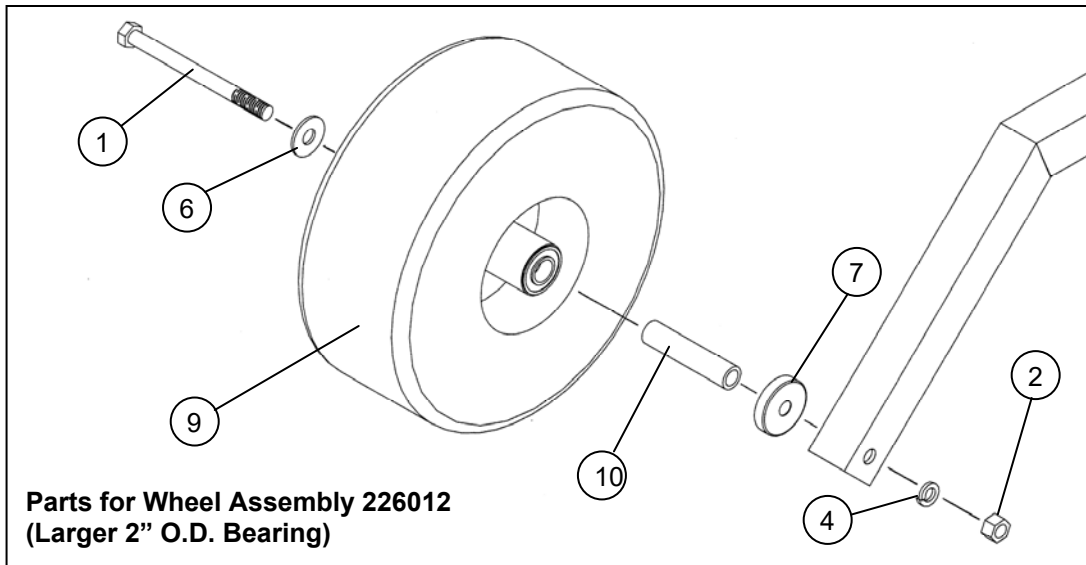
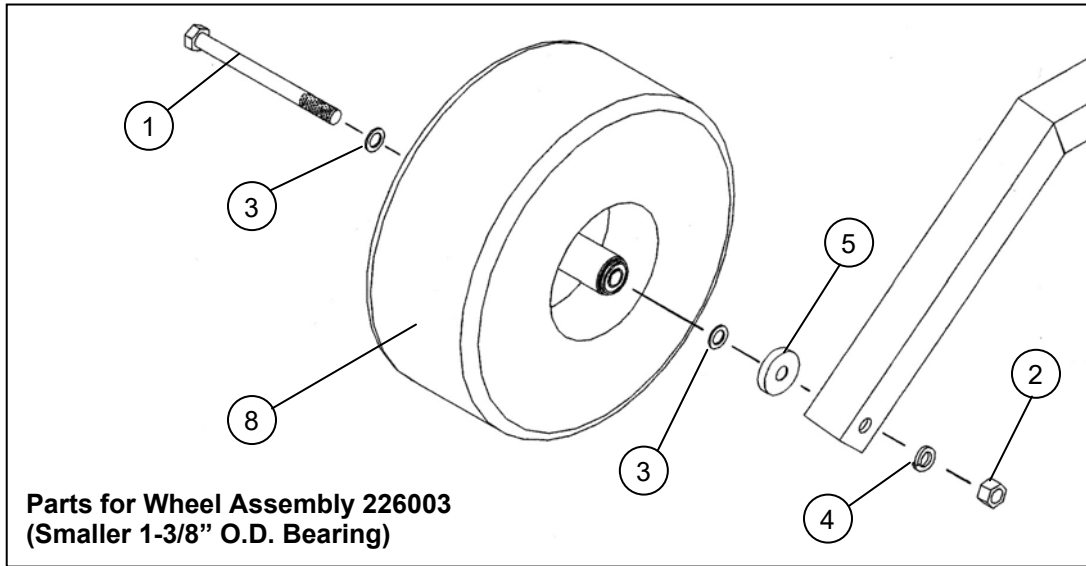
CLUTCH BLADE ENGAGEMENT PARTS

(4.5" SPRING VERSION WITH 5/8" DIA. PIVOT BOLT)



<u>Item</u>	<u>Part #</u>	<u>Description</u>
1	202019	Hex Head Bolt 5/16" x 3/4" Long
2	202041	Hex Head Bolt 3/8" x 1-3/4" Long
3	202151	Hex Head Bolt 5/8" x 4-1/2" Long
4	204016	Eye Bolt 3/8" x 8" Usable Length
5	212002	Hex Nut 3/8"
6	212013	Hex Nut 5/8"
7	212021	Hex Jam Nut 5/8"
8	214001	Lock Washer 5/16"
9	214002	Lock Washer 3/8"
10	214005	Standard Flat Washer 3/8"
11	214017	Standard Flat Washer 5/16"
12	214027	Shoulder Washer - Nylon
13	214020	Lock Washer 5/8"
14	214029	Standard Flat Washer 5/8"
15	225005	Compression Spring, 4.50" Long x 1-3/32" O.D. x .125" Wire dia.
16	241001	Flat Idler, 4" O.D. x 3/8" Hole (Replaced with Steel)
17	277011	Handle Grip
18	600136	Brake Stud
19	600294	Clutch Arm (Replaces 900063)
20	900193	Idler Arm Assy. (Includes Bronze Bearings) (5/8" Bore)
	243016	Bronze Bearing, 5/8" I.D. x 3/4" O.D. x .75" Long (Requires 2)

REAR WHEEL ASSEMBLIES AND MOUNTING PARTS

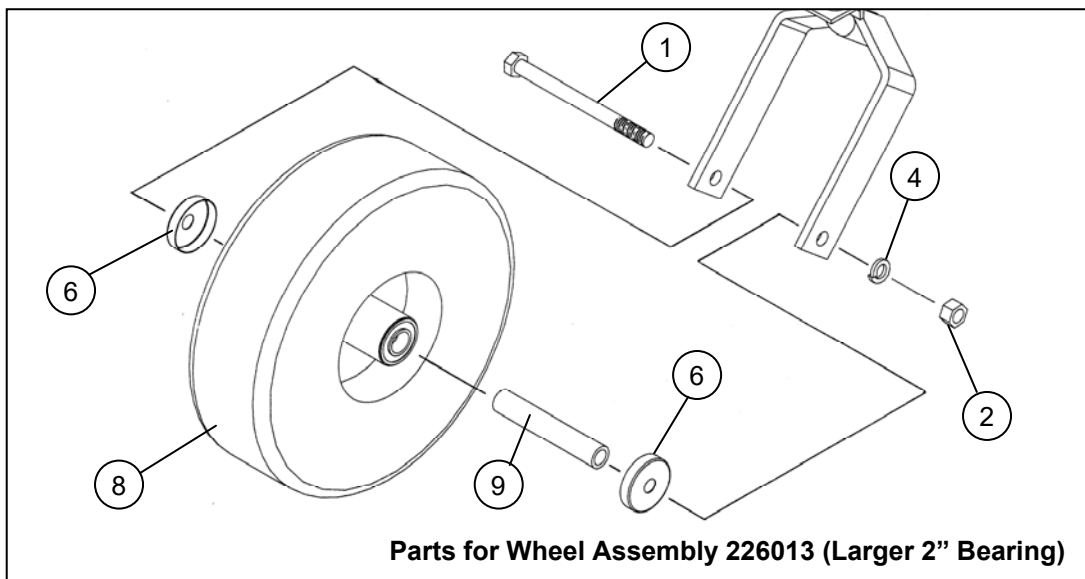
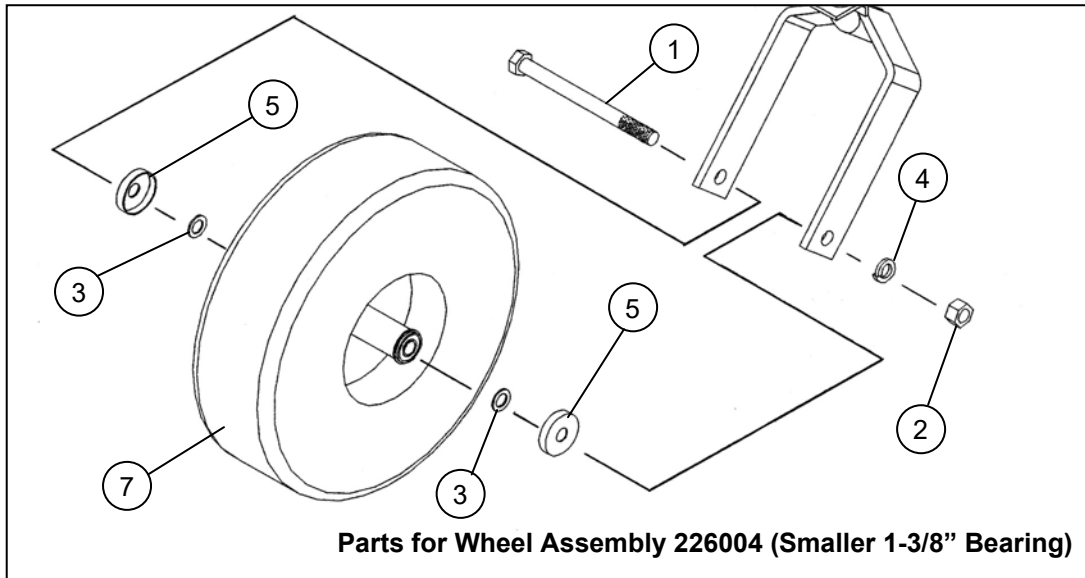


Item	Part #	Description
1	202140	Hex Head Bolt 5/8" x 7.5"
2	212013	Hex Nut - 5/8"
3	214018	Machinery Washer 5/8" I.D. x 1" O.D.
4	214020	Lock Washer - 5/8"
5	214021	Cup Washer (For Smaller Bearing)
6	214029	Standard Flat Washer - 5/8"
7	214030	Cup Washer (For Larger Bearing)
8	226003	Offset Wheel Assy. (15/600 x 6, 4 Ply Turf) (Replace with 226012)
	226006	Tire - Replacement (15/600 x 6, 4 Ply Turf)
	243007	Precision Sealed Wheel Bearings (1-3/8" O.D. x 5/8" I.D.)
	600301	Wheel Bearing Spacer (Used on 226003 & 226008)
9	226012	Offset Wheel Assy. (15/600 x 6, 4 Ply Turf) (Includes Tire, Rim, Bearing & Spanner Tube)
	226006	Tire - Replacement (15/600 x 6, 4 Ply Turf)
	243015	Precision Sealed Wheel Bearings (2" O.D. x 1" I.D.)
	600308	Spanner Tube

Note: See the Miscellaneous Parts Section Below for Flatproof Tire Options.

Note: See the Miscellaneous Parts Section Below for Flatproof Tire Options.

FRONT WHEEL ASSEMBLIES AND MOUNTING PARTS

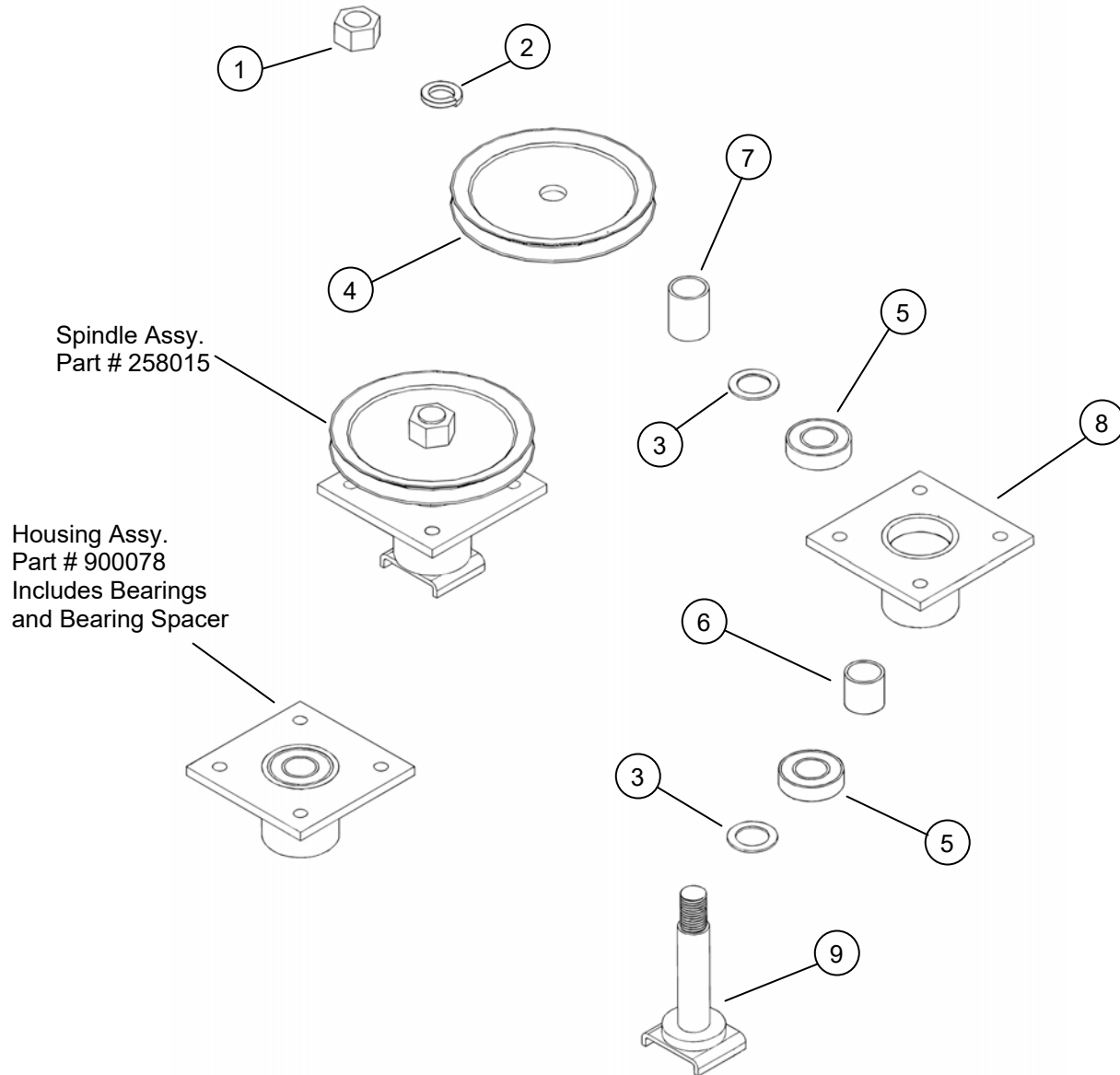


<u>Item</u>	<u>Part #</u>	<u>Description</u>
1	202140	Hex Head Bolt 5/8" x 7.5"
2	212013	Hex Nut - 5/8"
3	214018	Machinery Washer 5/8" I.D. x 1" O.D.
4	214020	Lock Washer - 5/8"
5	214021	Cup Washer (For Smaller Bearing)
6	214030	Cup Washer (For Larger Bearing)
7	226004	Centered Wheel Assy. (5.30/4.50 x 6, 4 Ply Stud) (Replace with 226013)
	226005	Tire - Replacement (5.30/4.50 x 6, 4 Ply Stud)
	243007	Precision Sealed Wheel Bearings (1-3/8" O.D. x 5/8" I.D.)
	600302	Wheel Bearing Spacer (Used on 226004 & 226009)
8	226013	Centered Wheel Assy. (5.30/4.50 x 6, 4 Ply Stud) (Includes Tire, Rim, Bearings & Spanner Tube)
	226005	Tire - Replacement (5.30/4.50 x 6, 4 Ply Stud)
	243015	Precision Sealed Wheel Bearings (2" O.D. x 1" I.D.)
		Note: See the Miscellaneous Parts Section Below for Flatproof Tire Options.
9	600309	Spanner Tube

PARTS BREAKDOWN FOR ROUGH CUT SPINDLE ASSY.

(PART # 258015)

Note: Models with serial #'s ranging from (ignore the first two digits) xx00119 to xx07324 were originally built with Spindle Assy. Part # 258015. Models with serial #'s ranging from (ignore the first two digits) xx08001 and greater were built with Spindle Assy. Part # 258022.

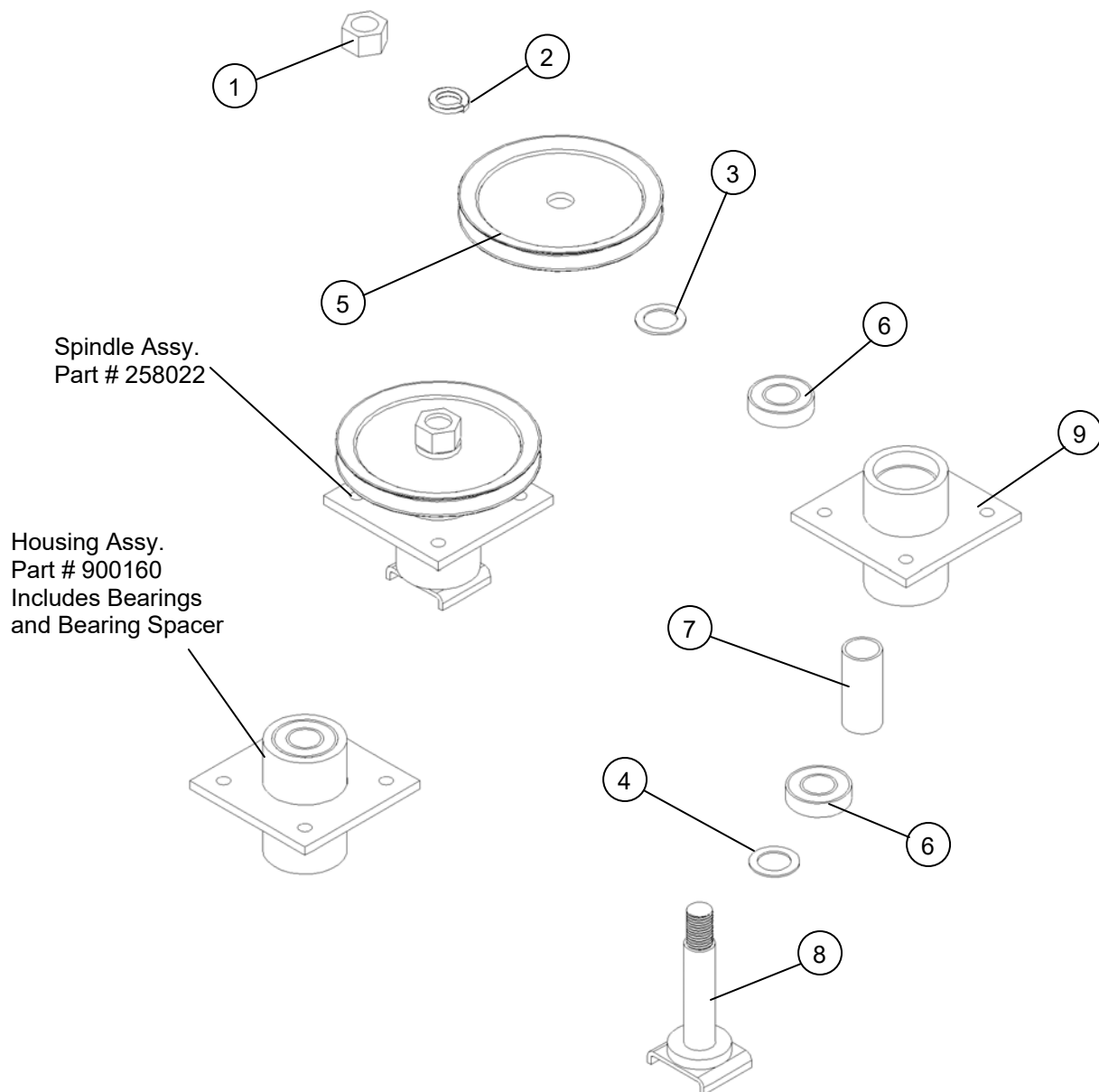


<u>Item</u>	<u>Part #</u>	<u>Description</u>
1	212009	Std. Hex Nut 1.00" - 14NF
2	214013	Split Lock Washer 1.00"
3	214023	Machinery Washer 1.25" I.D. x 14 GA Thick
4	241008	"V" Sheave 7-1/2" Dia. - 25 mm Bore
5	243006	Bearing 6206 - 2RST
6	600158	Bearing Spacer
7	600159	Pulley Spacer
8	900074	Spindle Hub (Not Sold Separately, Purchase 900078)
9	900075	Spindle Shaft
	900078	Replacement Housing Assy.
	258015	Replacement Spindle Assy.

PARTS BREAKDOWN FOR ROUGH CUT SPINDLE ASSY.

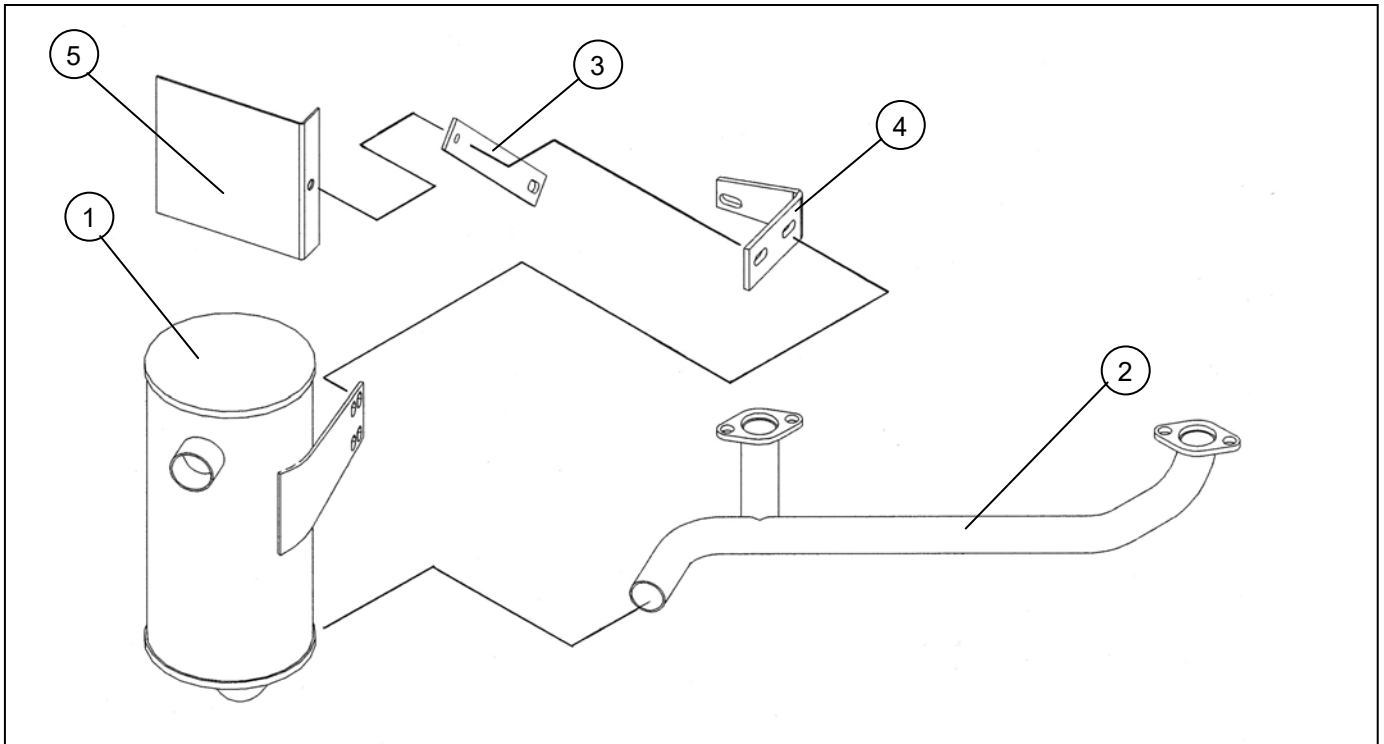
(PART # 258022)

Note: Models with serial #'s ranging from (ignore the first two digits) xx00119 to xx07324 were originally built with Spindle Assy. Part # 258015. Models with serial #'s ranging from (ignore the first two digits) xx08001 and greater were built with Spindle Assy. Part # 258022.



<u>Item</u>	<u>Part #</u>	<u>Description</u>
1	212009	Std. Hex Nut 1.00" - 14NF
2	214013	Split Lock Washer 1.00"
3	214014	Machinery Washer 1.00" I.D. x 18 GA Thick
4	214023	Machinery Washer 1.25" I.D. x 14 GA Thick
5	241008	"V" Sheave 7-1/2" Dia. - 25 mm Bore
6	243006	Bearing 6206 - 2RST
7	600271	Bearing Spacer
8	900075	Spindle Shaft
9	900159	Spindle Hub (Not Sold Separately, Purchase 900160)
	900160	Replacement Housing Assy.
	258022	Replacement Spindle Assy.

MR55B EXHAUST PARTS – 22HP & 23HP BRIGGS INTEK

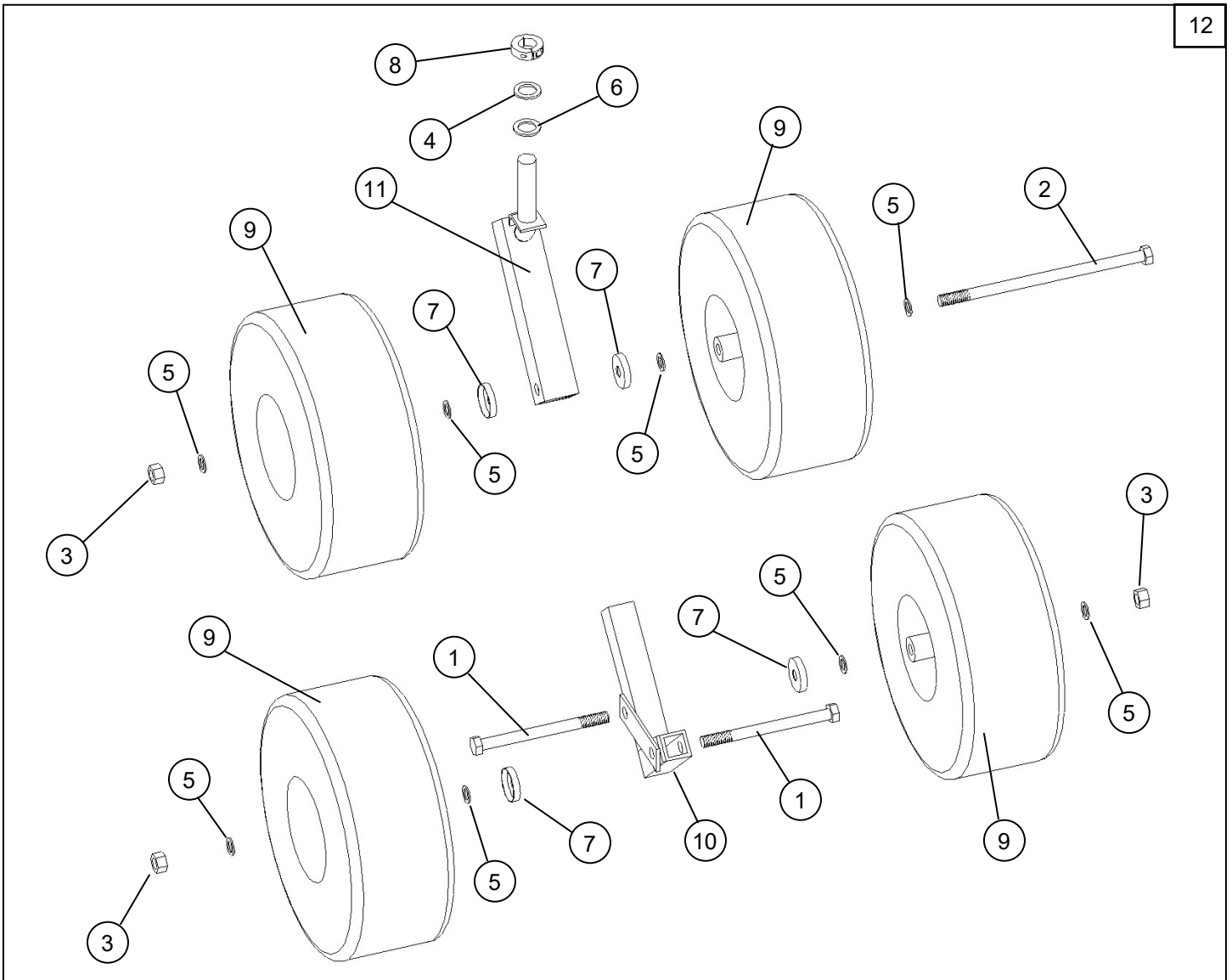


<u>Item</u>	<u>Part #</u>	<u>Description</u>
1	257505	Muffler - 5" (Used on 22HP & 23HP Briggs Intek Engines) (See Note Below)
2	257506	Manifold (Used on 22HP & 23HP Briggs Intek Engines)
3	600231	Exhaust Brace
4	600232	Exhaust Support
5	600233	Heat Deflector (Only Used on 22HP Models with the Fuel Pump Behind Muffler)

Note: When ordering Muffler 257505 please indicate if your engine has the fuel pump located behind the muffler. These mufflers require a notch added to the mounting bracket. This only applies to certain 22HP models.

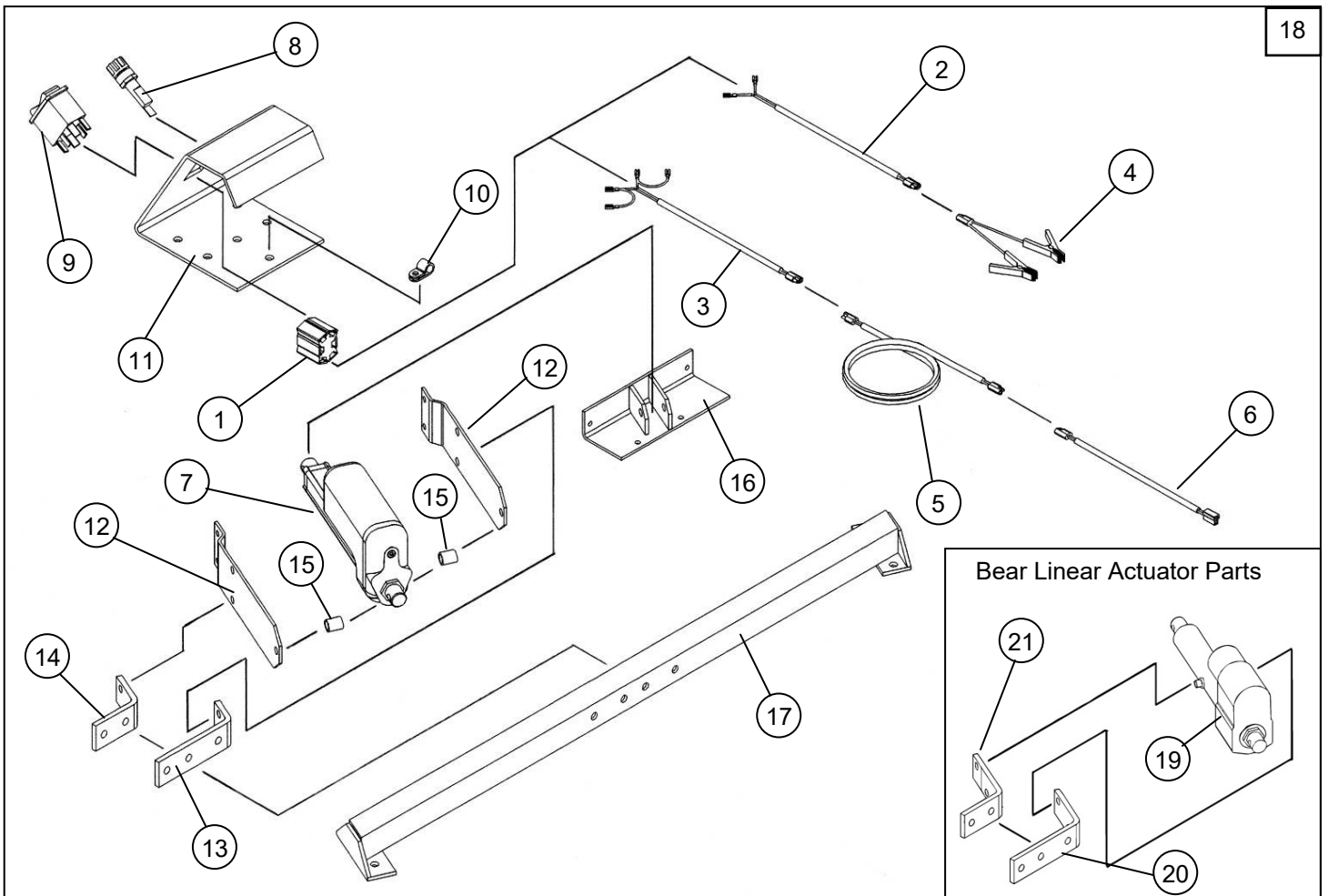
OPTIONAL WETLANDS KIT - (PART # 003905)

12



<u>Item</u>	<u>Part #</u>	<u>Description</u>
1	202140	Hex Head Bolt 5/8" x 7.5"
2	202142	Hex Head Bolt 5/8" x 12.0"
3	212015	Centered Lock Nut 5/8"
4	214014	Machinery Washer 1" I.D. x 1.5" O.D. x 18 GA
5	214018	Machinery Washer 5/8" I.D. x 1" O.D.
6	214019	Machinery Washer 1" I.D. x 1.5" O.D. x 10GA
7	214021	Cup Washer
8	222012	Single Split Collar 1" I.D. x 1/2" Thick
9	226003	Offset Wheel Assy. (15/600 x 6, 4 Ply Turf) (See Wheel Assy. Drawing Above)
10	900091	Rear Tire Extension
11	900149	Caster
12	003905	Wetlands Kit

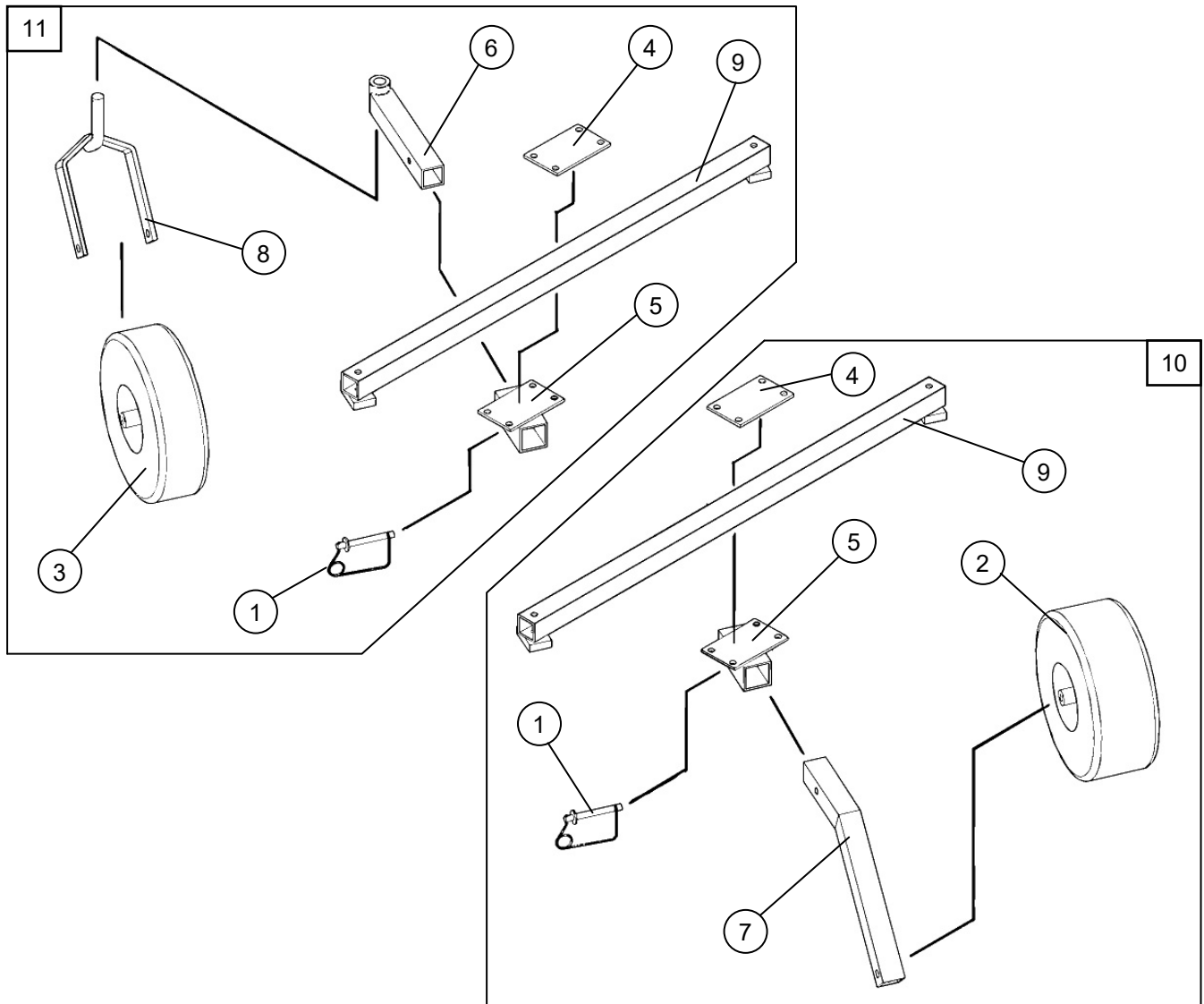
OPTIONAL ELECTRIC LIFT KIT - (PART # 003909)



18

Item	Part #	Description
1	235061	Six Contact Socket Connector
2	235063	Battery Wiring Harness
3	235065	Wiring Harness
4	235066	Battery Clip Harness
5	235067	Extension Cable
6	235070	Actuator Wiring Harness Assy.
7	237003	Electric Linear Actuator (8" Stroke) (Linak Brand)
8	264006	Fuse Holder
	264009	Fuse (30 Amp)
9	264008	Rocker Switch
10	277030	Fixed Diameter Cable Clamp
11	500010	Control Panel
	275020	Lift Control Decal
12	600238	Actuator Bracket (For Linak Brand)
13	600239	Top Long Support (For Linak Brand)
14	600240	Top Short Support (For Linak Brand)
15	600269	Actuator Bracket Spacer (For Linak Brand)
16	900092	Lower Actuator Mount
17	900093	Upper Actuator Mount
18	003909	Electric Lift Kit (For 57" Rough Cut Models)
19	237000	Electric Linear Actuator (8" Stroke) (Bear Linear Brand)
		Replace Bear Linear Actuator with Items 7, 12, 13, 14 & 15
20	600185	Top Long Support (For Bear Linear Brand)
21	600186	Top Short Support (For Bear Linear Brand)

OPTIONAL FLOATATION KIT PARTS (PART #'s 003907, 003908 & 900113)



<u>Item</u>	<u>Part #</u>	<u>Description</u>
1	216011	Wire Lock Pin (1/2" x 3-1/2" Opening)
2	226012	Offset Wheel Assy. (15/600 x 6, 4 Ply Turf) (<i>See Wheel Assy. Drawing Above</i>)
3	226013	Centered Wheel Assy. (5.30/4.50 x 6, 4 Ply Stud) (<i>See Wheel Assy. Drawing Above</i>)
4	600195	Clamping Flat
5	900107	Receiver Assy.
6	900108	Caster Support
	243010	Plastic Bearing (1-3/8" O.D. x 1.00" I.D., Flange, Nylon)
7	900109	Rear Wheel Support
8	900148	Caster Fork (Includes 1" Washers) (Replaces Caster Fork 900073, Also Requires 222012)
	222012	Single Split Collar (1" I.D. x .1/2" Thick)
9	900113	Cross Brace Tube Assy. (900110 with Mounting Bolts)
10	003907	Rear Floatation Kit (Does Not Include 900113, Purchase Separately)
11	003908	Front Floatation Kit (Does Not Include 900113, Purchase Separately)

MISCELLANEOUS PARTS

AIR FILTERS, OIL FILTERS, BATTERY ETC.

<u>Part #</u>	<u>Description</u>
226014	Flatproof Wheel Assy. (15/600 x 6 - Urethane Foam)(Optional Replacement for 226003 & 226012)
226015	Flatproof Wheel Assy. (5.30/4.50 x 6 - Urethane Foam)(Optional Replacement for 226004 & 226013)
257500	Oil Filter, Kohler (12-050-01-S) - Used on 20HP Kohler Command Engines
257502	Air Filter (Includes Foam Pre-Cleaner), Kohler (47-883-03-S1) - Used on 20HP Kohler Command Engines
257503	Oil Filter, Kohler (52-050-02-S) - Replace with 257500
257513	Air Filter (Filter Only Use 257514 Also), Briggs (795115) - Used on 17.5HP Briggs Intek Engines
257514	Pre-Cleaner (Use With 257513 Air Filter), Briggs (697015) - Used on 17.5HP Briggs Intek Engines
257515	Air Filter (Round Canister), Briggs (594201 was 591334) - Used on 19.5HP & 23HP Briggs Intek Engines Note: On 23HP Briggs Intek Models with a Flat Cartridge Style Air Filter Order Part #257519 & 257520
257516	Oil Filter, Briggs (696854, Higher Grade Yellow) - All Briggs Models With Oil Filter
257519	Air Filter (Flat Cartridge Style) (Filter Only Use 257520 Also), Briggs (499486S) - 22 & 23HP Briggs Intek Eng. Note: On 23HP Briggs Intek Models with a Round Canister Style Air Filter Order Part #257515
257520	Pre-Cleaner (Flat Cartridge Style) (Use With 257519 Air Filter), Briggs (273638S) - 22 & 23HP Briggs Intek Eng. Note: On 23HP Briggs Intek Models with a Round Canister Style Air Filter Order Part #257515
257521	Air Filter (Filter Only Use 257522 Also), Honda (17210-ZJ1-842) - Used on 18HP Honda Engines
257522	Pre-Cleaner (Use With 257521 Air Filter), Honda (17218-ZJ1-840) - Used on 18HP Honda Engines
257526	Oil Filter, Tecumseh (36563) - Used on 17HP Tecumseh Enduro Engines
257527	Air Filter (Filter Only Use 257528 Also), Tecumseh (36356) - Used on 17HP Tecumseh Enduro Engines
257528	Pre-Cleaner (Use With 257527 Air Filter), Tecumseh (36357) - Used on 17HP Tecumseh Enduro Engines
257529	Air Filter & Pre-Cleaner, Briggs (792105) - Used on 23HP Briggs Professional Engines
257530	Air Filter (Filter Only Use 257531 Also), Briggs (793569) - Used on 19HP Briggs Professional Engines
257531	Pre-Cleaner (Use With 257530 Air Filter), Briggs (793685) - Used on 19HP Briggs Professional Engines
257533	Air Filter, Briggs (798897) - Used on 23HP Briggs Commercial Turf Engines
264003	Hour/Tach Meter (Digital)
264004	Battery (12V AGM Sealed)
277025	Tire Sealer - 32 oz Bottle (Each Tire Requires 16 oz)
277042	Spare Key for Indak Ignition Switches (Used on 264001 & 264010)

Note: Call for Air Filter, Pre-Cleaner and Oil Filter information for any engines not shown above.