

MODELS MR44B, MR44K, MR44V & MR44BC

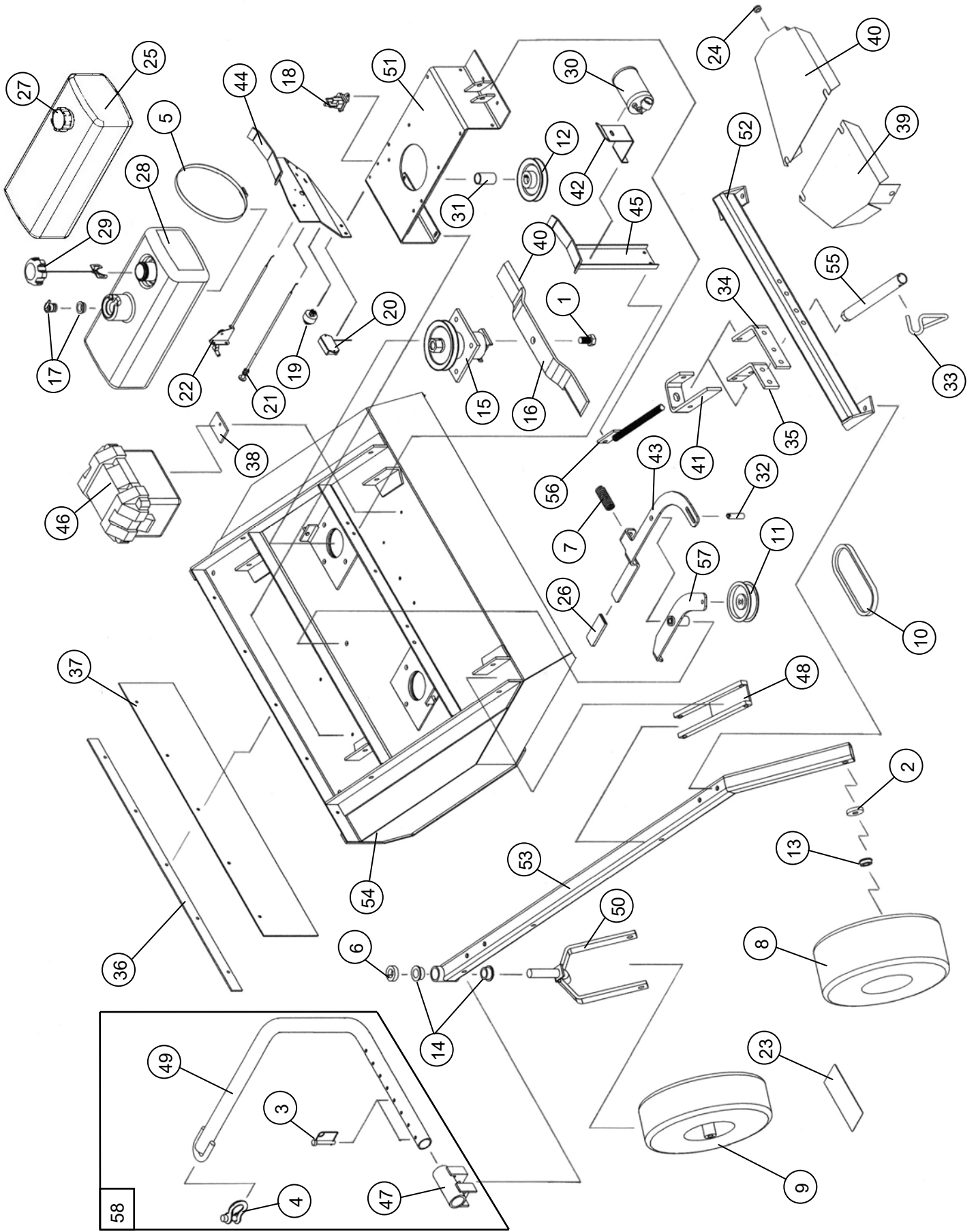
(See drawings below for additional parts)

<u>Item</u>	<u>Part #</u>	<u>Description</u>
1	202141	Blade Bolt (3/4"-16NF x 1-1/4")
2	214021	Cup Washer (For Smaller 1-3/8" O.D. Bearing)
2	214030	Cup Washer (For Larger 2" O.D. Bearing)
3	216002	Wire Lock Pin, .31" x 2.50"
4	216009	Screw Pin Shackle Clevis
5	222005	Worm Drive Hose Clamp (7-7/8" to 9-1/8" Clamping Dia.)
6	222012	Single Split Collar (1" I.D. x 1/2: Thick)
7	225005	Compression Spring, 4.50" Long x 1-3/32" O.D. x .125" Wire dia. (Clutch Drawing Below)
8	226012	Offset Wheel Assy. (15/600 x 6, 4 Ply Turf) (See Wheel Assy. Drawing Below)
9	226013	Centered Wheel Assy. (5.30/4.50 x 6, 4 Ply Stud) (See Wheel Assy. Drawing Below)
10	238007	"V" Belt B74K 77" O.C.
11	241001	Flat Idler, 4" O.D. x 3/8" Hole
12	241010	"V" Sheave, 5" Dia. 1" Bore
13	243007	Precision Sealed Wheel Bearings (1-3/8" O.D. x 5/8" I.D.)
13	243015	Precision Sealed Wheel Bearings (2" O.D. x 1" I.D.)
14	243010	Plastic Bearing (1-3/8" O.D. x 1.00" I.D., Flange, Nylon)
15	258023	Spindle Assy. (See Spindle Drawing Below)
16	259008	Offset Mower Blade, 2-1/2" Wide, 23" Long, 3/4" Hole
17	260004	Roll-Over / Fuel Vapor Valve (Includes Gromet)
18	264000	Solenoid
19	264001	Ignition Switch (MR44K)
19	264010	Ignition Switch (MR44B, MR44V & MR44BC)
20	264003	Hour/Tack Meter (Optional)
21	269000	Choke Control, 20" (MR44B)
21	269004	Choke Control, 14" (MR44K)
21	269010	Choke Control, 27" (MR44V & MR44BC)
22	269001	Throttle Control, 15" (MR44B & MR44K)
22	269009	Throttle Control, 27" (MR44V & MR44BC)
23	275001	Control Panel Decal, Starting Instructions
23	275002	Warning Decal General
23	275003	Danger Decal, Cut Finger
23	275007	Warning Decal, Belt Sheild
23	275011	Clutch Engagement Decal
23	275019	Name Decal, Kunz
23	275021	Name Decal, AcrEase
23	275024	Name Decal, 44" Rough Cut
24	277002	Rubber Gromet
25	277010	Fuel Tank, 3-3/4 Gal. Plastic (Replace with 277034 and Use 277013)
	277041	Fuel Tank Grommet (Bottom Petcock Location)
26	277011	Handle Grip
27	277013	Gas Cap - Venting Style (For Fuel Tank 277010 and with Fuel Tank 277035 Without Vent Hose)
28	277034	Fuel Tank, 3 Gal. (Replaces Fuel Tank 277010) <i>Note: Fuel Tank 277034 is an EPA Certified Component . Only Replace with Fuel Tank 277034.</i>
	277041	Fuel Tank Grommet (Bottom Petcock Location)
28	277040	Fuel Tank, 3 Gal. , 3-Layer (Used on 2013 Models and Newer) <i>Note: Fuel Tank 277040 is an EPA Certified Component . Only Replace with Fuel Tank 277040.</i>
	277041	Fuel Tank Grommet (Bottom Petcock Location)
29	277035	Gas Cap - Audible Click/Tethered, Non-Venting (Only Use with Fuel Tanks with Vent Hose) <i>Note: Gas Cap 277035 is an EPA Certified Component . Only Replace with Gas Cap 277035.</i>
30	277036	Carbon Canister - 300cc (California Only) <i>Note: Canister 277036 is an EPA Certified Component . Only Replace with Canister 277036.</i>
31	600071	Spacer, 1.38" O.D. x 1.33" Wall x 2.19" Long

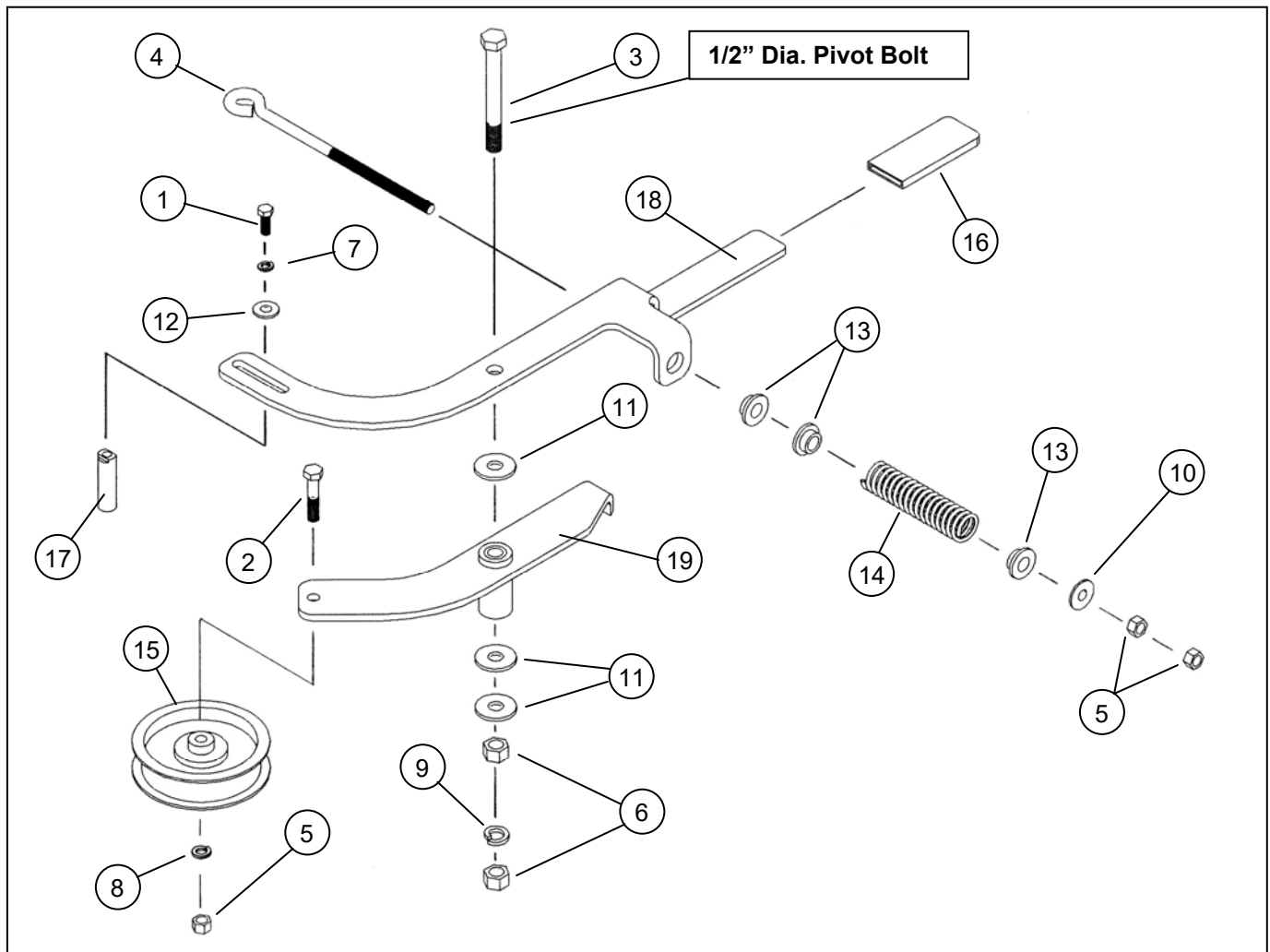
Bestil på
roedkilde.com

Item	Part #	Description
32	600136	Brake Stud
33	600146	Crank Arm (Includes Press-on Nut)
34	600185	Top Long Support
35	600186	Top Short Support
36	600252	Flap Retainer Strip
37	600253	Safety Belting
38	600254	Battery Box Spacer
39	600264	Belt Sheild, Left
40	600265	Belt Sheild, Right
41	600268	Height Adjust Support
42	600291	Canister Support (California Only)
43	600292	Clutch Arm (Replaces 900151) (Clutch Drawing Below)
44	600305	Control Panel (Replaces 900023)
45	600306	Tank Support (Replaces 900079)
46	900049	Battery Box Assy.
	264004	Battery (12V AGM Sealed)
47	900058	Hitch Pivot
48	900061	Pivot Arm
49	900082	Tongue
50	900148	Caster Fork (Includes 1" Washers) (Replaces Caster Fork 900073, Also Requires 222012)
51	900150	Engine Support Bracket
52	900154	Upper Actuator Mount
53	900155	Carrier Arm
54	900156	Mower Deck (Call to Order)
55	900157	Height Adjust Nut
56	900158	Screw Adjuster
57	900180	Idler Arm Assy. (Includes Bronze Bearings) (Replaces 900153) (Clutch Drawing Below)
	243005	Bronze Bearing, 1/2" I.D. x 3/4" O.D. x 3/4" Long (Requires 2)
57	900192	Idler Arm Assy. (Includes Bronze Bearings) (With 5/8" Bore) (Clutch Drawing Below)
	243016	Bronze Bearing, 5/8" I.D. x 3/4" O.D. x 3/4" Long (Requires 2)
58	900083	ATV Tongue Assy. (Includes all Mounting Hardware and Pins)

PARTS DRAWING FOR MODELS MR44B, MR44K & MR44V

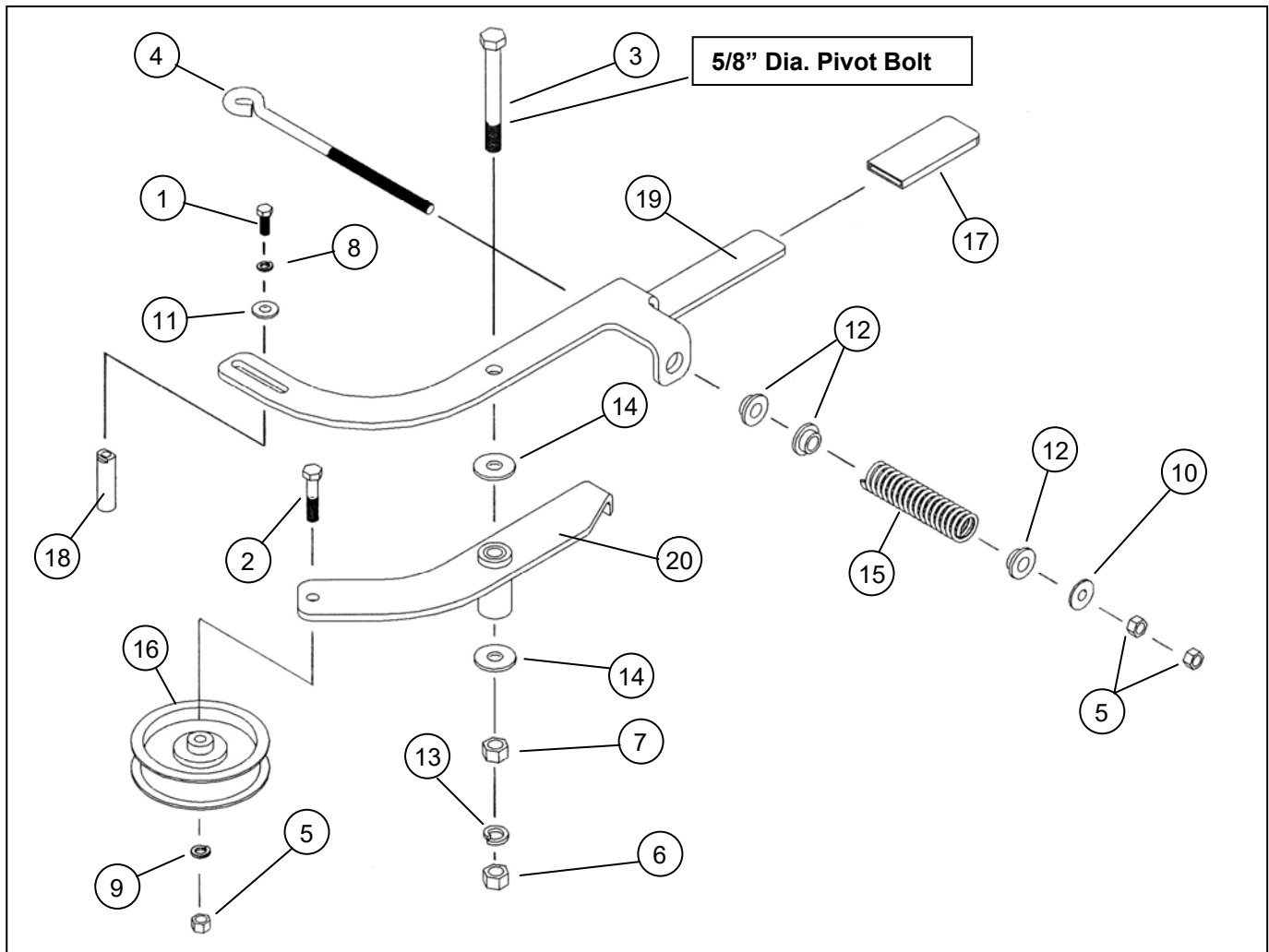


CLUTCH BLADE ENGAGEMENT PARTS (1/2" DIA. PIVOT BOLT)



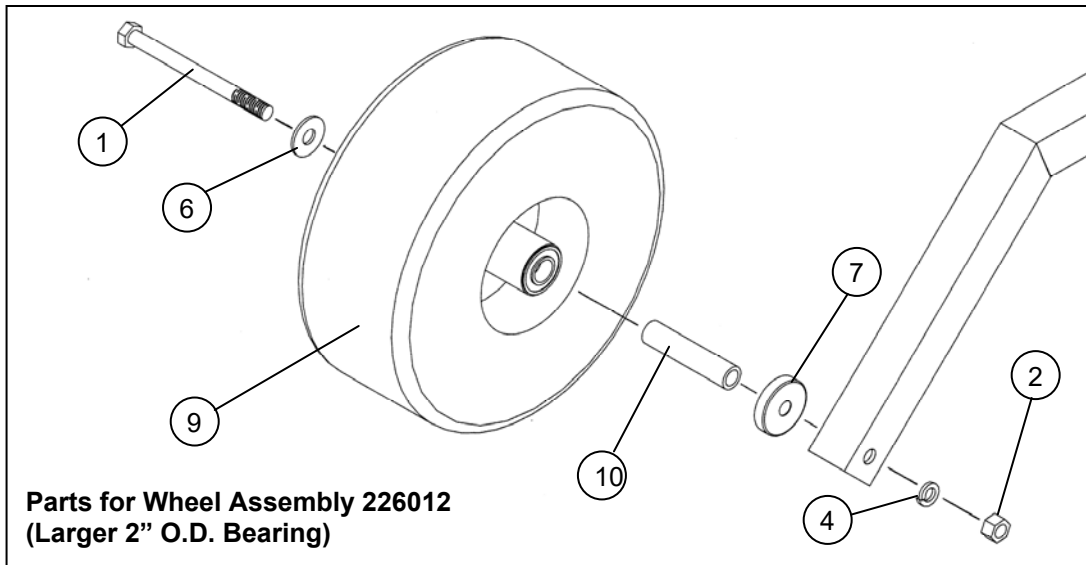
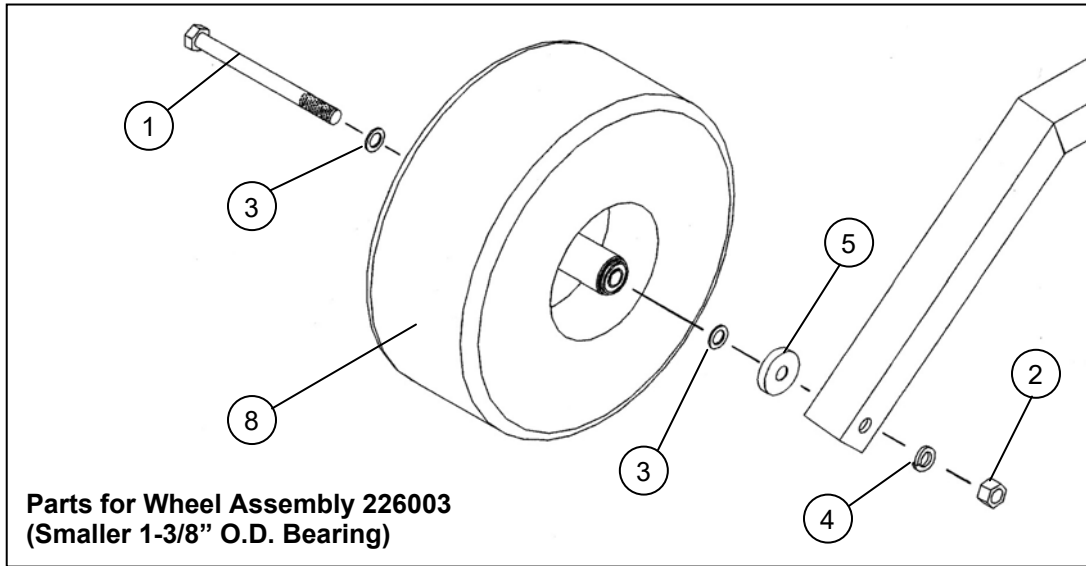
Item	Part #	Description
1	202019	Hex Head Bolt 5/16" x 3/4" Long
2	202041	Hex Head Bolt 3/8" x 1-3/4" Long
3	202150	Hex Head Bolt 1/2" x 4-1/4" Long
4	204016	Eye Bolt 3/8" x 8" Usable Length
5	212002	Hex Nut 3/8"
6	212003	Hex Nut 1/2"
7	214001	Lock Washer 5/16"
8	214002	Lock Washer 3/8"
9	214003	Lock Washer 1/2"
10	214005	Standard Flat Washer 3/8"
11	214006	Standard Flat Washer 1/2"
12	214017	Standard Flat Washer 5/16"
13	214027	Shoulder Washer - Nylon
14	225005	Compression Spring, 4.50" Long x 1-3/32" O.D. x .125" Wire dia.
15	241001	Flat Idler, 4" O.D. x 3/8" Hole (Replaced with Steel)
16	277011	Handle Grip
17	600136	Brake Stud
18	600292	Clutch Arm (Replaces 900151)
19	900180	Idler Arm Assy. (Includes Bronze Bearings) (Replaces 900153)
	243005	Bronze Bearing, 1/2" I.D. x 3/4" O.D. x .75" Long (Requires 2)

CLUTCH BLADE ENGAGEMENT PARTS (5/8" DIA. PIVOT BOLT)



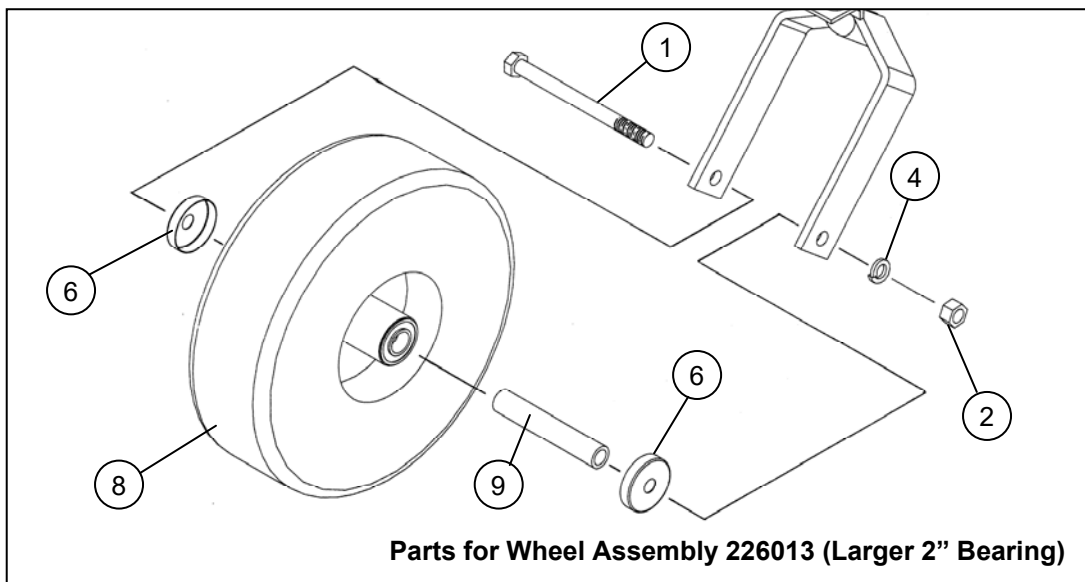
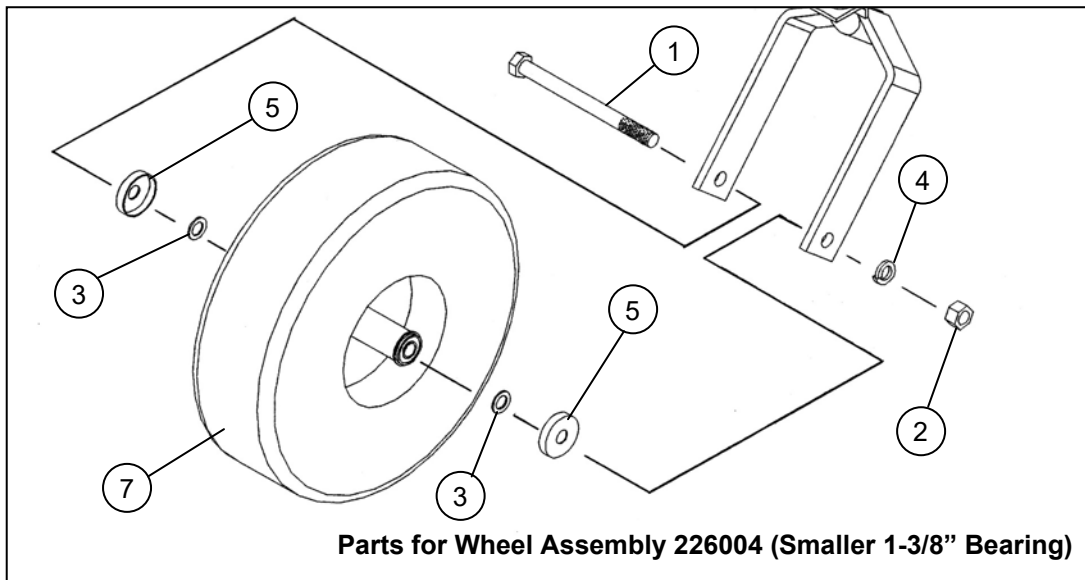
<u>Item</u>	<u>Part #</u>	<u>Description</u>
1	202019	Hex Head Bolt 5/16" x 3/4" Long
2	202041	Hex Head Bolt 3/8" x 1-3/4" Long
3	202151	Hex Head Bolt 5/8" x 4-1/2" Long
4	204016	Eye Bolt 3/8" x 8" Usable Length
5	212002	Hex Nut 3/8"
6	212013	Hex Nut 5/8"
7	212021	Hex Jam Nut 5/8"
8	214001	Lock Washer 5/16"
9	214002	Lock Washer 3/8"
10	214005	Standard Flat Washer 3/8"
11	214017	Standard Flat Washer 5/16"
12	214027	Shoulder Washer - Nylon
13	214020	Lock Washer 5/8"
14	214029	Standard Flat Washer 5/8"
15	225005	Compression Spring, 4.50" Long x 1-3/32" O.D. x .125" Wire dia.
16	241001	Flat Idler, 4" O.D. x 3/8" Hole (Replaced with Steel)
17	277011	Handle Grip
18	600136	Brake Stud
19	600292	Clutch Arm (Replaces 900151)
20	900192	Idler Arm Assy. (Includes Bronze Bearings) (5/8" Bore)
	243016	Bronze Bearing, 5/8" I.D. x 3/4" O.D. x .75" Long (Requires 2)

REAR WHEEL ASSEMBLIES AND MOUNTING PARTS



Item	Part #	Description
1	202140	Hex Head Bolt 5/8" x 7.5"
2	212013	Hex Nut - 5/8"
3	214018	Machinery Washer 5/8" I.D. x 1" O.D.
4	214020	Lock Washer - 5/8"
5	214021	Cup Washer (For Smaller Bearing)
6	214029	Standard Flat Washer - 5/8"
7	214030	Cup Washer (For Larger Bearing)
8	226003	Offset Wheel Assy. (15/600 x 6, 4 Ply Turf) (Replace with 226012)
	226006	Tire - Replacement (15/600 x 6, 4 Ply Turf)
	243007	Precision Sealed Wheel Bearings (1-3/8" O.D. x 5/8" I.D.)
	600301	Wheel Bearing Spacer (Used on 226003 & 226008)
9	226012	Offset Wheel Assy. (15/600 x 6, 4 Ply Turf) (Includes Tire, Rim, Bearing & Spanner Tube)
	226006	Tire - Replacement (15/600 x 6, 4 Ply Turf)
	243015	Precision Sealed Wheel Bearings (2" O.D. x 1" I.D.)
		Note: See the Miscellaneous Parts Section Below for Flatproof Tire Options.
10	600308	Spanner Tube

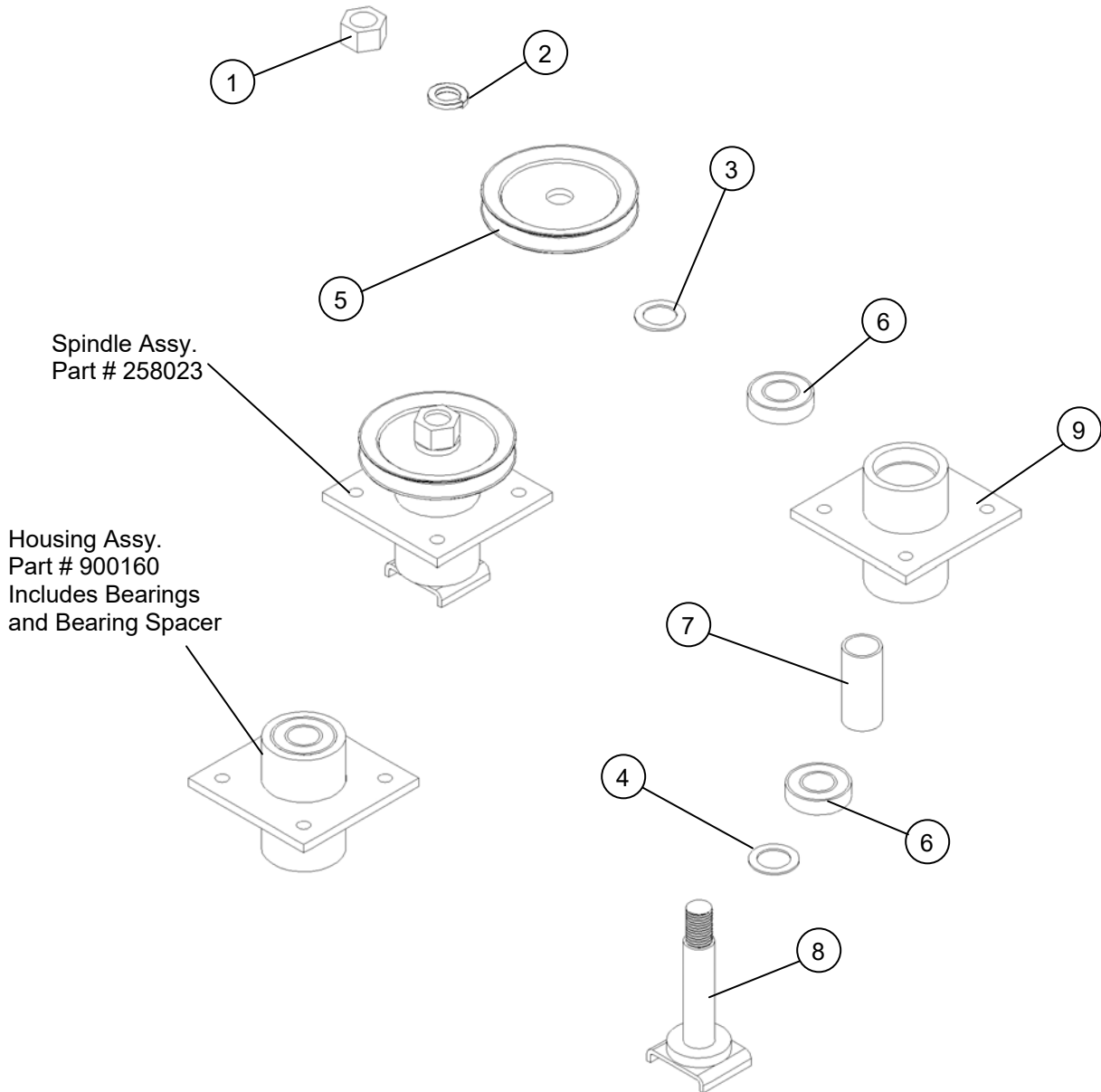
FRONT WHEEL ASSEMBLIES AND MOUNTING PARTS



Item	Part #	Description
1	202140	Hex Head Bolt 5/8" x 7.5"
2	212013	Hex Nut - 5/8"
3	214018	Machinery Washer 5/8" I.D. x 1" O.D.
4	214020	Lock Washer - 5/8"
5	214021	Cup Washer (For Smaller Bearing)
6	214030	Cup Washer (For Larger Bearing)
7	226004	Centered Wheel Assy. (5.30/4.50 x 6, 4 Ply Stud) (Replace with 226013)
	226005	Tire - Replacement (5.30/4.50 x 6, 4 Ply Stud)
	243007	Precision Sealed Wheel Bearings (1-3/8" O.D. x 5/8" I.D.)
	600302	Wheel Bearing Spacer (Used on 226004 & 226009)
8	226013	Centered Wheel Assy. (5.30/4.50 x 6, 4 Ply Stud) (Includes Tire, Rim, Bearings & Spanner Tube)
	226005	Tire - Replacement (5.30/4.50 x 6, 4 Ply Stud)
	243015	Precision Sealed Wheel Bearings (2" O.D. x 1" I.D.)
		Note: See the Miscellaneous Parts Section Below for Flatproof Tire Options.
9	600309	Spanner Tube

PARTS BREAKDOWN FOR ROUGH CUT SPINDLE ASSY.

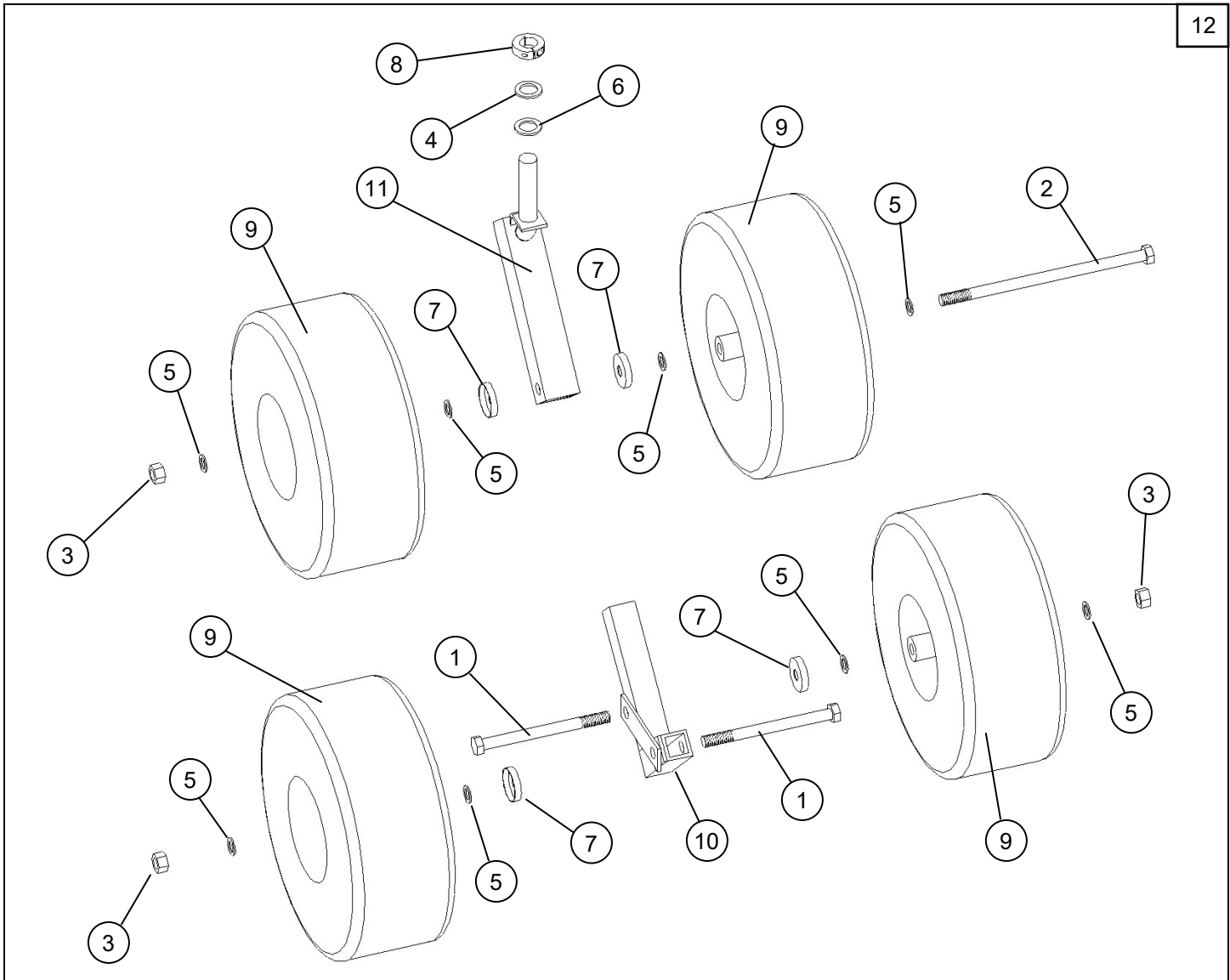
(PART # 258023)



<u>Item</u>	<u>Part #</u>	<u>Description</u>
1	212009	Std. Hex Nut 1.00" - 14NF
2	214013	Split Lock Washer 1.00"
3	214014	Machinery Washer 1.00" I.D. x 18 GA Thick
4	214023	Machinery Washer 1.25" I.D. x 14 GA Thick
5	241011	"V" Sheave 5.56" Dia. - 25 mm Bore
6	243006	Bearing 6206 - 2RST
7	600271	Bearing Spacer
8	900075	Spindle Shaft
9	900159	Spindle Hub (Not Sold Separately, Purchase 900160)
	900160	Replacement Housing Assy.
	258023	Replacement Spindle Assy.

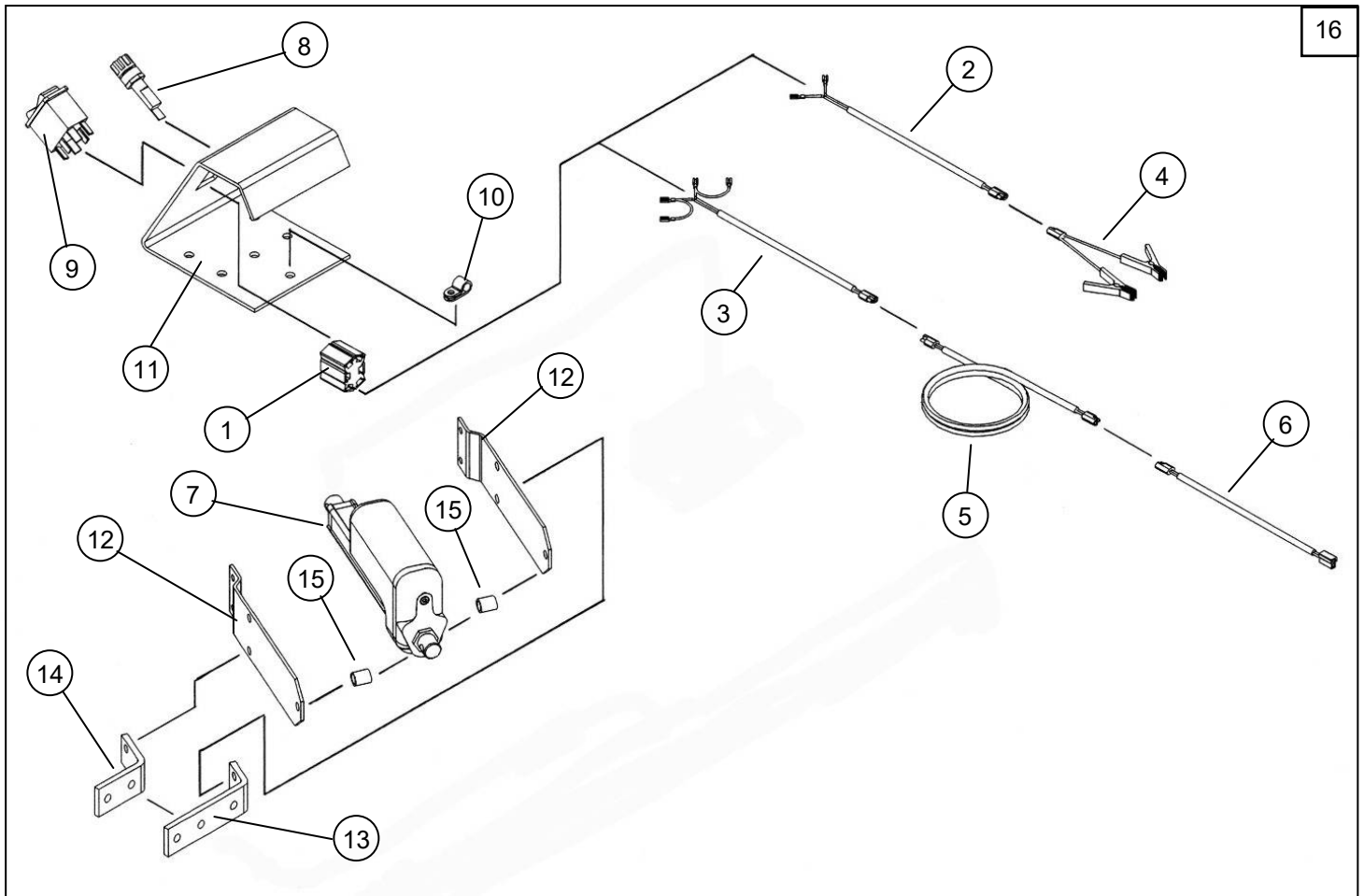
OPTIONAL WETLANDS KIT - (PART # 003905)

12



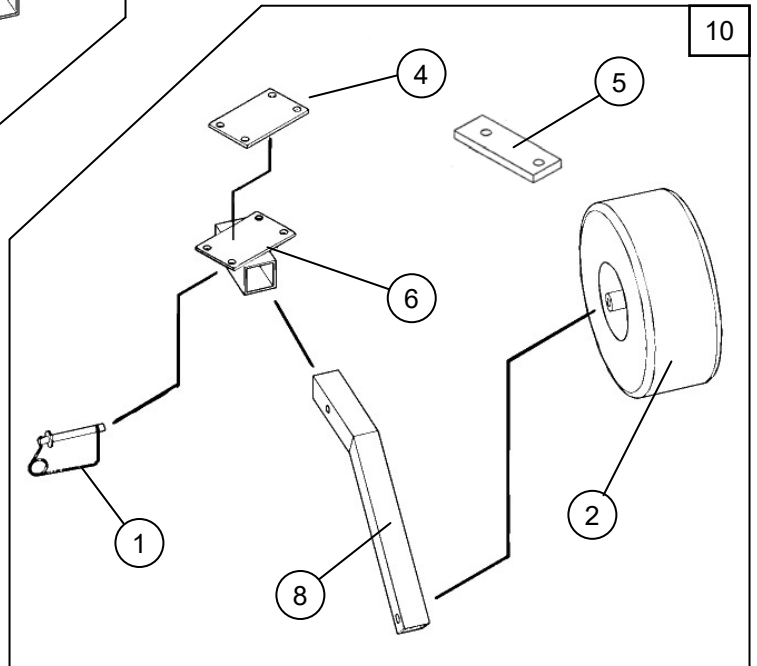
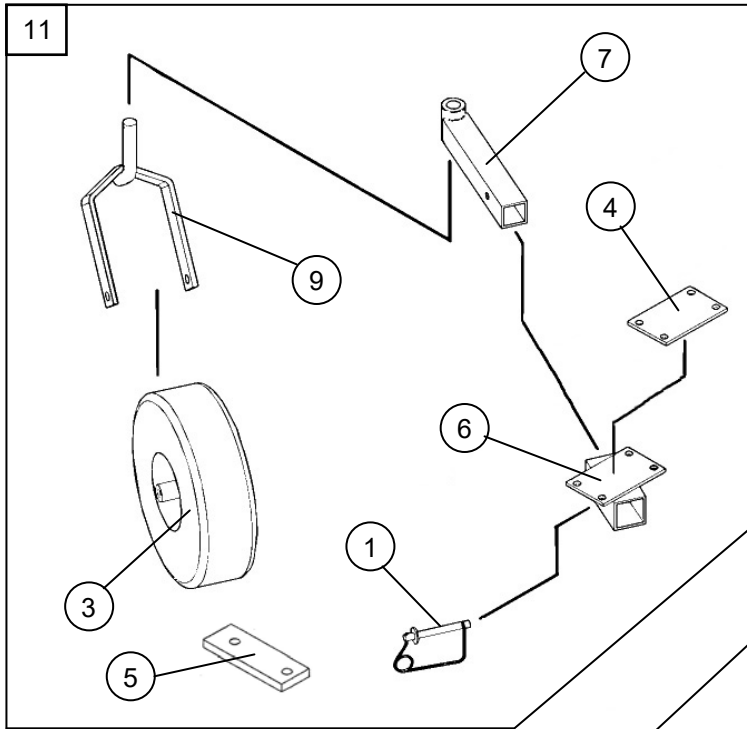
<u>Item</u>	<u>Part #</u>	<u>Description</u>
1	202140	Hex Head Bolt 5/8" x 7.5"
2	202142	Hex Head Bolt 5/8" x 12.0"
3	212015	Centered Lock Nut 5/8"
4	214014	Machinery Washer 1" I.D. x 1.5" O.D. x 18 GA
5	214018	Machinery Washer 5/8" I.D. x 1" O.D.
6	214019	Machinery Washer 1" I.D. x 1.5" O.D. x 10GA
7	214021	Cup Washer
8	222012	Single Split Collar 1" I.D. x 1/2" Thick
9	226003	Offset Wheel Assy. (15/600 x 6, 4 Ply Turf) (See Wheel Assy. Drawing Above)
10	900091	Rear Tire Extension
11	900149	Caster
12	003905	Wetlands Kit

OPTIONAL ELECTRIC LIFT KIT - (PART # 003912)



Item	Part #	Description
1	235061	Six Contact Socket Connector
2	235063	Battery Wiring Harness
3	235065	Wiring Harness
4	235066	Battery Clip Harness
5	235067	Extension Cable
6	235070	Actuator Wiring Harness Assy.
7	237003	Electric Linear Actuator (8" Stroke)
8	264006	Fuse Holder
	264009	Fuse (30 Amp)
9	264008	Rocker Switch
10	277030	Fixed Diameter Cable Clamp
11	500010	Control Panel
	275020	Lift Control Decal
12	600238	Actuator Bracket
13	600239	Top Long Support
14	600240	Top Short Support
15	600269	Actuator Bracket Spacer
16	003912	Electric Lift Kit (For 44" Rough Cut Models)

OPTIONAL FLOATATION KIT PARTS (PART #'s 003907 & 003908)



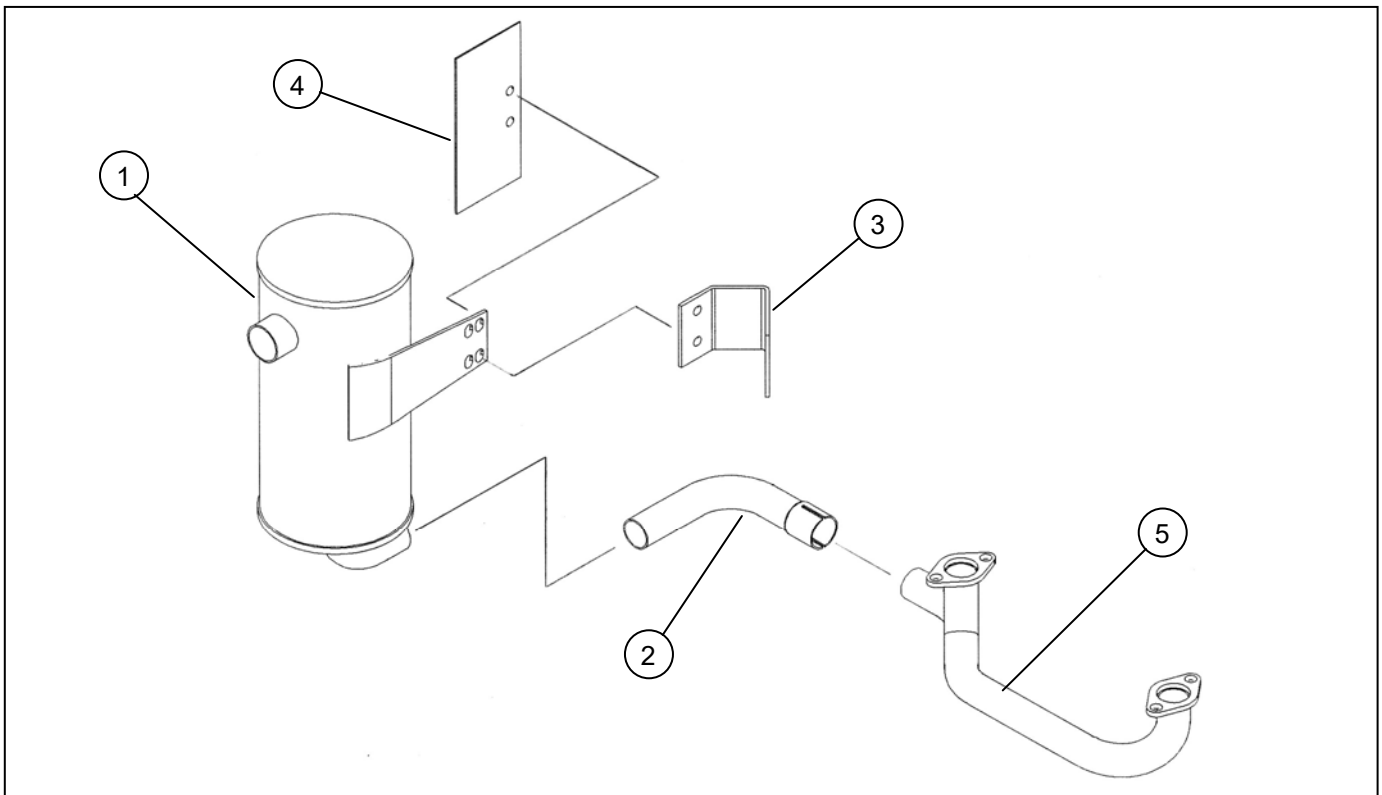
<u>Item</u>	<u>Part #</u>	<u>Description</u>
1	216011	Wire Lock Pin (1/2" x 3-1/2" Opening)
2	226012	Offset Wheel Assy. (15/600 x 6, 4 Ply Turf) (See Wheel Assy. Drawing Above)
3	226013	Centered Wheel Assy. (5.30/4.50 x 6, 4 Ply Stud) (See Wheel Assy. Drawing Above)
4	600195	Clamping Flat
5	600272	Spacer Flat (1/2" Thick) (Spaces Cross Brace Tubes Up)
6	900107	Receiver Assy.
7	900108	Caster Support
	243010	Plastic Bearing (1-3/8" O.D. x 1.00" I.D., Flange, Nylon)
8	900109	Rear Wheel Support
9	900148	Caster Fork (Includes 1" Washers) (Replaces Caster Fork 900073, Also Requires 222012)
	222012	Single Split Collar (1" I.D. x .1/2" Thick)
10	003907	Rear Floatation Kit
11	003908	Front Floatation Kit

MISCELLANEOUS PARTS

AIR FILTERS, OIL FILTERS, BATTERY ETC.

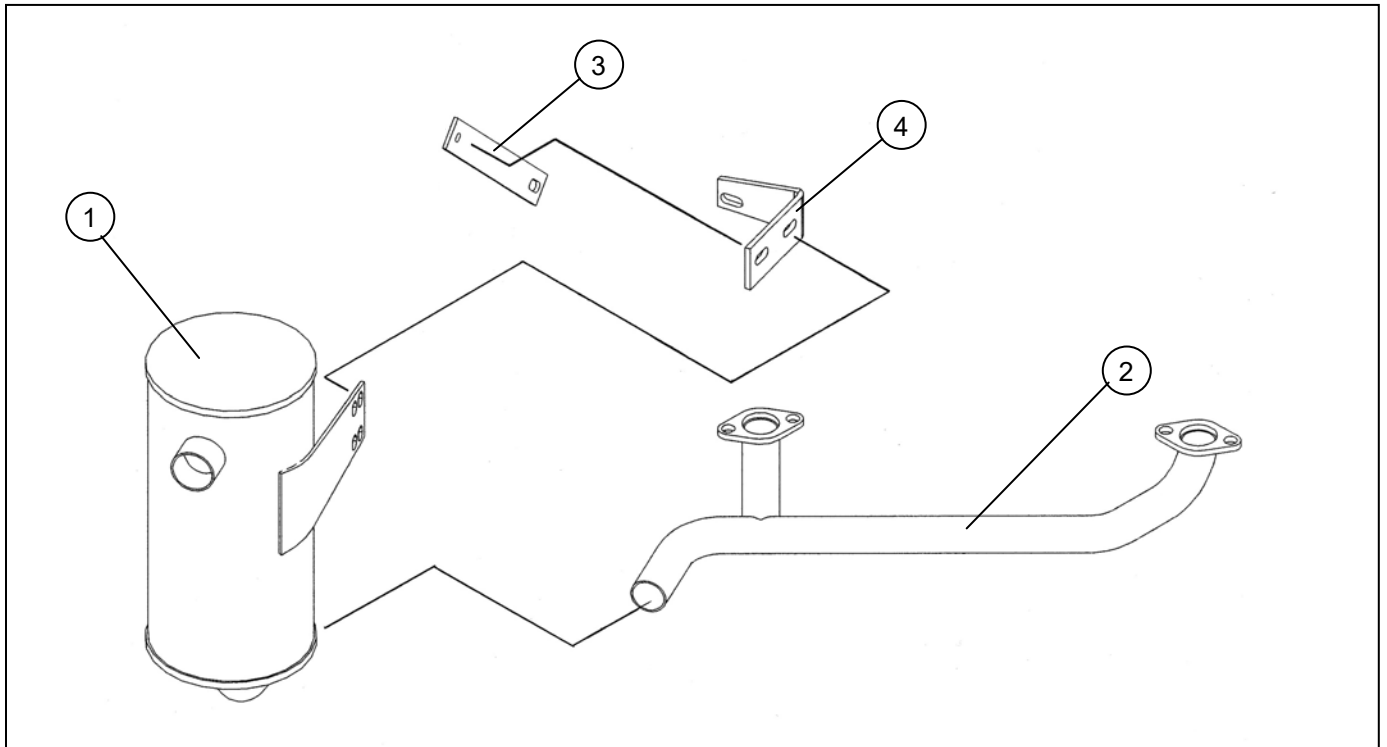
<u>Part #</u>	<u>Description</u>
226014	Flatproof Wheel Assy. (15/600 x 6 - Urethane Foam)(Includes Tire, Rim & Bearings)(Optional Replacement for 226003)
226015	Flatproof Wheel Assy. (5.30/4.50 x 6 - Urethane Foam)(Includes Tire, Rim & Bearings)(Optional Replacement for 226004)
257500	Oil Filter, Kohler (12-050-01-S) - Used on 18HP Kohler Command Engines
257503	Oil Filter, Kohler (52-050-02-S) - Replace with 257500
257507	Air Filter (Filter Only Use 257508 Also), Kohler (12-083-10-S) - Used on 18HP Kohler Command Engines
257508	Pre-Cleaner (Use with 257507 Air Filter), Kohler (12-083-12-S) - Used on 18HP Kohler Command Engines
257513	Air Filter (Filter Only Use 257514 Also), Briggs (795115) - Used on 17.5HP Briggs Intek Engines
257514	Pre-Cleaner (Use With 257513 Air Filter), Briggs (697015) - Used on 17.5HP Briggs Intek Engines
257515	Air Filter (Canister Style), Briggs (591334 was 796031) - Used on 19.5HP Briggs Intek Engines
257016	Oil Filter, Briggs (696854, Higher Grade Yellow) - All Briggs Models With Oil Filter
257524	Air Filter (Filter Only Use 257525 Also), Briggs (394018S) - Used on 18HP Briggs Vanguard Engines
257525	Pre-Cleaner (Use With 257524 Air Filter), Briggs (272490S) - Used on 18HP Briggs Vanguard Engines
257530	Air Filter (Filter Only Use 257531 Also), Briggs (793569) - Used on 19HP Briggs Professional Engines
257531	Pre-Cleaner (Use With 257530 Air Filter), Briggs (793685) - Used on 19HP Briggs Professional Engines
257533	Air Filter, Briggs (798897) - Used on 20HP Briggs Commercial Turf Engines
264003	Hour/Tach Meter (Digital)
264004	Battery (12V AGM Sealed)
277025	Tire Sealer - 32 oz Bottle (Each Tire Requires 16 oz)
277042	Spare Key for Indak Ignition Switches (Used on 264001 & 264010)

MR44V EXHAUST PARTS – 18HP VANGUARD



<u>Item</u>	<u>Part #</u>	<u>Description</u>
1	257505	Muffler - 5" (Used on 18 & 23HP Briggs Vanguard and 22 & 23 HP Briggs Intek)
2	257523	Manifold Elbow (Used on 18 HP Briggs Vanguard)
3	600296	Muffler Bracket
4	600297	Heat Deflector
5	~	Manifold - Briggs Part #805404 (Available Through Briggs & Stratton)

MR44BC EXHAUST PARTS -20HP BRIGGS COMMERCIAL TURF



<u>Item</u>	<u>Part #</u>	<u>Description</u>
1	257505	Muffler - 5"
2	257506	Manifold
3	600231	Exhaust Brace
4	600232	Exhaust Support