



OWNER'S MANUAL
FOR THE
SPRAYRIDER™
Generation 2



ATV MOUNTED SPRAYERS

C-Dax Ltd
PO Box 1010, 145 Harts Road
Tiritea, Palmerston North
Ph: 06 354 6060
Fax: 06 355 3199
E-Mail: sales@c-dax.co.nz
www.c-dax.com

SAFETY PRECAUTIONS

SPRAYRIDER™

AN IMPORTANT MESSAGE FOR OWNERS & OPERATORS OF C-Dax ATTACHMENTS/ACCESSORIES

Be warned of the dangers of loading your ATV or other vehicle in excess of its carrying capacity. It is important to understand that any loads or attachments whether fastened to or placed on a vehicle or ATV will alter the stability or handling characteristics of that vehicle or ATV.

Spray tanks or other equipment must be filled only to a level where the gross weight is within the load limit of the ATV or other vehicle.

Safety is a primary concern in the design, manufacture, sale, and use of spray tanks and other equipment. As manufacturers of spray tanks and other equipment we want to confirm to you, our customers, our concern for safety. We take this opportunity to remind you about the simple, basic and common sense rules of safety when using spray tanks and other equipment. Failure to follow these rules can result in severe injury or death to operators and bystanders.

It is essential that everyone involved in the assembly, operation, transport, maintenance and storage of this equipment be aware, concerned, prudent and properly trained in safety.

This also applies to equipment that is loaned or rented to someone who has not read the owner's manual and is not familiar with the operation of application equipment.

- NEVER EXCEED THE LOAD LIMIT CAPACITY OF THE ATV OR OTHER VEHICLE.
- ALL ATV AND TRAILED EQUIPMENT TYRES SHOULD BE INFLATED TO MANUFACTURERS RECOMMENDED OPERATING PRESSURES.
- PLEASE NOTE THAT FILLING THE SPRAY TANK OR OTHER EQUIPMENT COMPLETELY AND OR THE ATTACHMENT OF ADDITIONAL EQUIPMENT TO THE ATV MAY EXCEED THE ATV'S MAXIMUM LOAD CAPACITY, AND ADVERSELY AFFECT THE STABILITY OF THE ATV OR OTHER VEHICLE.
- CARGO SHOULD BE PROPERLY DISTRIBUTED AND SECURELY ATTACHED.
- REDUCE SPEED WHEN CARRYING CARGO OR PULLING A TRAILER OR TRAILED APPLICATION EQUIPMENT AND ALLOW GREATER DISTANCE FOR BRAKING.
- NEVER ALLOW ANYONE TO RIDE ON YOUR SPRAYER OR OTHER EQUIPMENT.
- ALWAYS FOLLOW THE INSTRUCTIONS IN THE OWNER'S VEHICLE MANUAL FOR CARRYING CARGO OR PULLING A TRAILER.
- PROPER MAINTENANCE IN LINE WITH MANUFACTURER'S RECOMMENDED MAINTENANCE PROCEDURES IS ESSENTIAL.
- BEFORE APPLYING CHEMICALS, READ THE LABEL OF THE CHEMICAL MANUFACTURER OR SUPPLIER FOR PERSONAL PROTECTIVE EQUIPMENT AND OPERATE AS RECOMMENDED.
- THE SAFETY OF ALL CHEMICALS USED IN AGRICULTURE IS UNDER THE JURISDICTION OF A GOVERNMENT AGENCY, IE N.Z. MINISTRY FOR THE ENVIRONMENT; USA ENVIRONMENTAL PROTECTION AGENCY. FURTHER LOCAL GOVERNMENT OR STATE LAWS MAY APPLY.

Throughout this manual there are highlighted text boxes containing warnings, cautions and notes.

Warnings are mandatory instructions to prevent serious injury or permanent damage.

Cautions are advisory instructions to ensure reliable operation of the equipment.

Notes are for convenient operation.

WARNING

To reduce the chance of ATV instability, it is recommended that the ATV be stationary while spot spraying on a slope or hillside.

WARNING

C-Dax asks that you think of your dogs welfare when spraying by keeping them clear of spray zones, specifically when using the SR35.

C-Dax SPRAYRIDER™ ATV MOUNTED SPRAYERS

OWNER'S MANUAL

(Pt.No.2400-6900 Issue 27, Dated October 2015)

TABLE OF CONTENTS

2	Safety Precautions
3	Contents
4	Introduction
	Description
	Specifications
5	Order Information
	Optional Equipment
6	Warranty
	Liability
8	ATV Compatibility
	Installation
	All Models
	Battery Cable
9	Switch Mounting
	Fitting the Tank
10	Ratchet Strap
	Vacuum Release Valve
11	Spray Gun
12	Theory of Operation
	Operating Instructions
13	Hand Washing
	Chemical Application
	Chemical Advice
14	Operating Hints
15	Routine Maintenance
	Cleaning
	Filters
16	Removal of the Sprayrider™
	Lubrication of the Spray Lance
	Care of Protective Clothing
17	Removing the Pump
	Installing the Pump
18	Troubleshooting
19	SR50/80 Parts Diagram
20	SR50/80 Parts List
22	SR35 Parts Diagram / List
23	HGSR Spray Gun Parts Diagram
24	FLOJET Spray Pump Repair Kits

INTRODUCTION

Congratulations on the purchase of your new Sprayrider™ spot sprayer. The C-Dax Sprayrider™ has become the industry-standard for ATV mounted sprayers. You join the many thousands of farmer's worldwide who have recognised the remarkable usefulness of this unique equipment.

DESCRIPTION

The C-Dax Sprayriders™ Generation 2 are a high strength series of spray tanks manufactured of non-corrosive polyethylene designed for mounting on front or rear ATV carriers. All units come complete with 12V pumps, rugged spray guns, and a unique fresh-water wash tank (not applicable to the SR35). Sprayriders™ are compatible with a full range of C-Dax sprayer accessories including both pressure nozzle and CDA spray booms.

SPECIFICATIONS

(Specifications subject to change without notice)

Dry Weight SR 35 – 8.5 Kg
 SR 50 - 12.5 Kg
 SR 80 - 13.5 Kg

Dimensions

	Width	Height above carrier	Length	Capacity
SR35	1000mm	200mm	600mm	35 litres
SR 50	950mm	220mm	930mm	51 litres
SR 80	950mm	275mm	1025mm	81 litres

Power Consumption 12 VDC 6A (Nominal)

Pump 12 VDC Flojet 7.6LPM 60PSI.

Tanks Non-Corrosive, medium density, UV stabilised polyethylene. Ergonomically designed for maximum comfort, low center of gravity, and ease of filling and evacuation.

Filtration mesh Triple filter system comprising; fine mesh tank strainer, large capacity 50 suction filters, and spray gun filter.

Controls Remote toggle switch for handlebar mounting.

Spray gun 600mm lance-style spray gun with adjustable brass tip.

Hose & Spray gun stowage Each tank provides for 10m of hose stowage and a unique stowage for the spray gun
SR35 has 3m of self store hose

Non slip dog mat Fitted to the SR35 only

Design Registrations

NZ	SR50/80 Tank	NZ Reg. Des. 401788
	Auxiliary Tank	NZ Reg. Des. 401787
AUSTRALIA	SR50/80 Tank	AU Reg. Des. 148626
	Auxiliary Tank	AU Reg. Des. 150562
UK	SR50/80 Tank	GB Reg. Des. 3000349
	Auxiliary Tank	GB Reg. Des. 3000348

Patent Registrations

NZ	A Valve	NZ Patent No. 528794
----	---------	----------------------

ORDER INFORMATION

Sprayrider

	<u>NZ, AUS, UK</u>
SR35	Pt. No. 1000
SR50	Pt. No. 1001
SR80	Pt. No. 1002

OPTIONAL EQUIPMENT

Dual Tank Kit

A second tank to increase the carrying capacity and spraying time of your Sprayrider™. Available in 2 tank sizes. Not applicable to SR35

	<u>NZ, AUS, UK</u>
DTK50	Pt.No. 1003
DTK80	Pt.No. 1004

Flat Fan Tip

An alternative to the adjustable tip on the spray gun.

Order: Pt.No. 5300-7700

HG2 Pistol Spray Gun

An alternative to the standard spray lance.

Order: HG2(1.5)HSK Pt.No.4000-3900

Quick Release Valve Kit; (SR50/80 only)

Allows convenient exchange of accessories.

Order: Pt.No.4500-2200

Pressure regulator Kit

Allows control over spraying pressure and recirculation of the tank contents.

Order: CU2SRG2 Pt.No.5210-1600

NOTE
SR35 is a spot sprayer only and is not suitable for boom spraying

Pressure Nozzle Spray Booms

Convert your Sprayrider™ to a convenient pressure nozzle sprayer complete with self returning breakaway protection, diagonal fold.

	<u>NZ, AUS, UK</u>
Boom 3m (Covers 3m)	Pt.No.1019
Boom 4m (Covers 4m)	Pt.No.1020

Convert your Sprayrider™ to a compact, robust firebreak sprayer with adjustable spray width from 1.5-4.5 metres.

	<u>NZ, AUS, UK</u>
Multiboom	Pt.No.1018

Controlled Droplet Applicators

Convert your Sprayrider™ to an efficient Controlled Droplet Applicator (CDA) boom sprayer. A low-volume sprayer with reduced drift, reduced run off, and increased range (spray 3 ha on a 50L tank).

	<u>NZ, AUS, UK</u>
Boom CDA 3.6m	Pt.No.1021
Boom CDA 5.4m	Pt.No.1022

Convert your Sprayrider™ to an efficient low-volume CDA band sprayer. Adjustable band width and band spacing. Spray 17.5Km of 1.2M band at 8kph on a 50L tank. Complete with breakaway protection, electric remote controls.

	<u>NZ, AUS, UK</u>
HYD2 (Double band)	Pt.No.1023
HYD3 (Triple band)	Pt.No.1024

QuickSmart Attachment Frame

C-Dax's QuickSmart Attachment Frame is a universal mounting system that allows implements to be interchanged without the need for nuts, bolts and spanners.

QuickSmart Attachment Frame	Pt.No.1073
QuickSmart Attachment Upright Mounts for booms only	Pt.No.1074

WARRANTY

1 WARRANTY AND LIABILITY

Use of the equipment

- 1.1 You must satisfy yourself as to the suitability of the equipment for your intended use(s) of the equipment.

Your relationship with the retailer

- 1.2 Where you consider you have a warranty claim (or any other claim) in relation to the equipment, you must contact the retailer who sold you the equipment, not C-Dax directly. The retailer is responsible for liaising with C-Dax in respect of your claim.

Warranty

- 1.3 C-Dax warrants to the original purchaser that the equipment is sold free from defects in materials and workmanship for a period of 12 months from date of first retail sale (6 months

from date of first retail sale if the equipment is sold in the U.K.) subject to the terms set out below.

- 1.4 C-Dax will at its option repair or replace the defective equipment (or part of the equipment) or notify the retailer of the equipment to refund the purchase price for such defective equipment to you in the event of a breach of this warranty, subject to the terms set out below.

Liability

- 1.5 Except for the warranty set out in clause 1.2 above, all warranties and representations (including those expressed or implied by law) in respect of the equipment or advice relating to the equipment provided to you by C-Dax are excluded to the extent permitted by law.

- 1.6 Notwithstanding anything else in this manual, C-Dax's maximum liability to you (in the event that such liability exists) in respect of any breach of warranty, any matter set out in this manual, or for defective equipment or advice relating to the equipment provided is limited at C-Dax's option to:

- (a) repairing or replacing the equipment (or part of the equipment); or
- (b) notifying the retailer of the equipment to refund the price for the equipment paid by you.

- 1.7 Notwithstanding anything else in this manual, in no event will C-Dax be liable, whether in contract, tort (including negligence) or otherwise:

- (a) where you have altered or modified the equipment, misused or misapplied the equipment, or the equipment has been subjected to any unusual, excessive or non-recommended use, service or handling (including as set out in this manual);
- (b) where the equipment is not transported, stored, handled or used in accordance with any directions given by C-Dax (or the retailer) to you (including as set out in this manual);
- (c) where the equipment:
 - (i) has been subject to neglect, accident or hireage, or the damage arises from fair wear and tear, battery damage or chemical attack;
 - (ii) has been built to a customer's specifications; or
 - (iii) has been dismantled, repaired or serviced other than by an authorised service agent of C-Dax;
- (d) for loss or damage caused by any factors beyond C-Dax's control; or
- (e) for any loss of profit or revenue, or for any special, indirect, incidental or consequential damage, loss or injury of any kind suffered by you.

- 1.8 Where C-Dax elects to repair or replace the equipment it will use reasonable endeavours to do so as soon as practicable but will not be liable for any delay in doing so.

- 1.9 You agree that the transactions entered into between you and the retailer (and C-Dax) are for the purposes of trade and that, having regard to all relevant circumstances of the transactions, it is fair and reasonable that the provisions of the Consumer Guarantees Act 1993 (NZ) do not apply to those transactions to the fullest extent permitted by law.

ATV COMPATIBILITY

The Sprayrider™ Generation 2 models have been designed to fit the widest range of ATVs. At time of release the Generation 2 models were designed to fit all available Honda, Yamaha, Suzuki, Kawasaki, Polaris and Bombadier models available in New Zealand.

For reasons of stability it is not recommended that 80L models be fitted on the front of your ATV.

50 litre models fitted on the front of ATVs where there is a gear lever mounted on the guard , must be offset to the left to allow the transmission lever to be placed in the park position.

SR35 is best suited for rear carrier mounting, mounting to front carriers may cause tank failure.

INSTALLATION

All Models

Unpack the sprayer and check the contents. The following parts are included (Some parts are packed inside the tank);

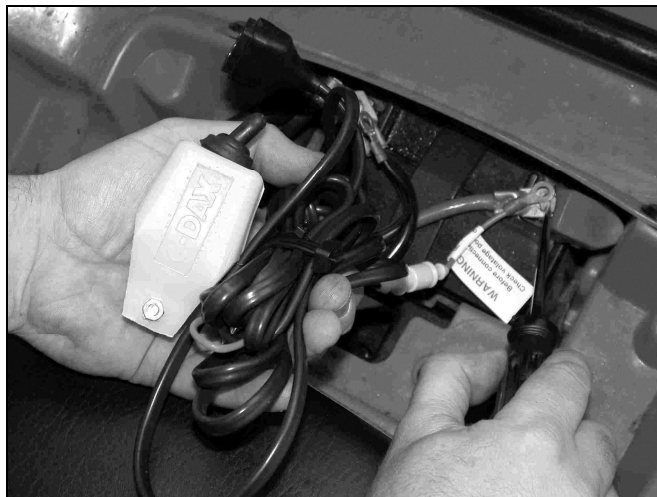
- Tank unit with pump and cover(no cover on SR35 units), suction valves and hoses, filter basket and lid
- Auxiliary tank unit (not fitted to SR35) and delivery hose
- Battery cable assembly (includes remote switch)
- Vacuum release valve
- Spray gun (lance and handle may be disassembled)
- Ratchet tie down strap
- Operators manual

CAUTION

To avoid damage do not attempt to remove the suction hoses from inside the tank.

Battery Cable

Locate the battery cable and attach it directly to the ATV battery terminals.



CAUTION

To avoid damage to Sprayrider™ accessories take care to ensure that the red wire is connected to the positive terminal.

Switch Mounting

Route the cable from the battery compartment to the Sprayrider™ location taking care to avoid hot components and places where the cable can get pinched. The wire coming out of the fuse holder should be straight. Mount the C-Dax remote on/off switch in a convenient position onto the handlebars of the ATV. Mounting the switch on the left hand side leaves your right hand free to operate the throttle control.



WARNING

To avoid the risk of fire, do not remove the fuse holder from the circuit or replace the fuse with one rated higher than 15A.

Fitting the Tank

Place the tank on the carrier and ensure the base of the tank sits flat on the carrier.

CAUTION

To avoid adversely affecting the handling of the ATV do not install an 80 litre model on the front carrier.

Ratchet Strap

Secure the tank to the carrier frame using the ratchet strap provided. Route the strap as shown below ensuring the strap is positioned over the “wings” of the auxiliary tank as shown, nearest to the centre of the tank as possible. The tie-down hooks must not be located where they can rub against the tank and cause damage.



NB: Tiedown goes through the cavity at the rear of the SR35

Vacuum Release Valve

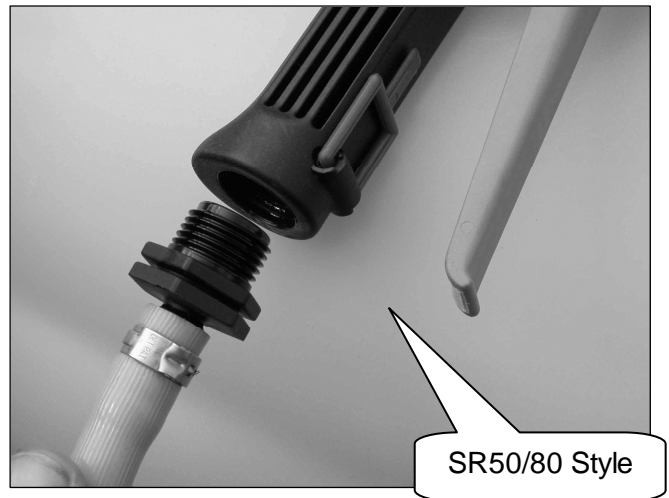
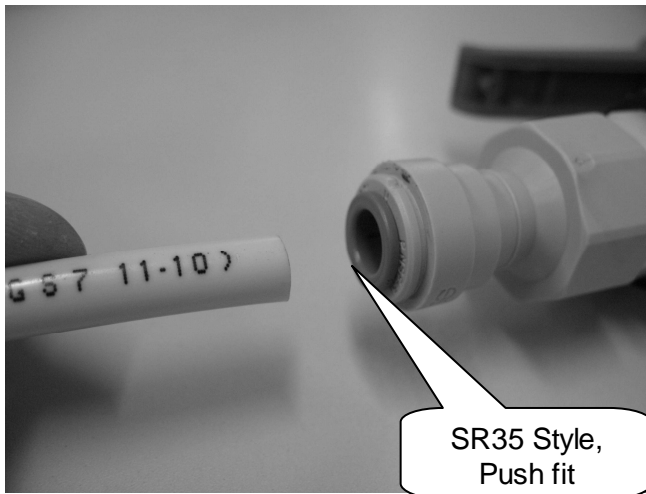
Locate the vacuum release valve and screw the valve tightly onto the fitting next to the lid of the tank.



Spray Gun

Locate the spray gun (HGSR) and lance inside the spray tank (Gun for SR35 will be located in the shipping box).

For SR35 the self store hose simply needs to be pushed into the push lock fitting as per the picture below left



For the SR50 screw the lance onto the spray gun trigger handle as per above right. SR80 models have the lance fitted to the trigger handle.

Screw the spray gun onto the hosetail connected to the spray hose, ensure it is secured tightly so that the handle does not leak when operated (do not use thread tape as this may cause the trigger handle to split).

Secure the spray gun in the stowed position under the two lugs of the auxiliary (hose reel) tank as shown. This method of securing the spray gun is unique to the SR50 and SR80 tanks and is designed for the HGSR spray gun only. On SR35 units the handgun mounts are on either side of the tank



Connect the Sprayrider™ electrical connector (at front of the tank) to the battery cable.

THEORY OF OPERATION

Spray fluid is prepared and placed in the tank via the lid opening and strainer basket. Foreign matter is trapped in the strainer mesh for disposal after the tank has been filled.

When the pump is switched on power is applied to the pump motor from the vehicle electrical system. When the pump operates, fluid is drawn through the filtered valves at the base of each leg of the tank and into the pump head via hoses inside the tank.

When one leg of the tank is empty the valve at the base of that leg will close. This will prevent air from being drawn into the system and allow evacuation of fluid from the opposite leg. When both legs are empty, both valves will close. With both valves closed, a vacuum is created within the system that retains the valves in the closed position. When the tank is refilled the vacuum is released by momentarily manually opening and closing a valve located at the top of the tank. The tank valves will reset to the open position and allow fluid to be drawn from the tank.

OPERATING INSTRUCTIONS

Before switching on the pump, momentarily open and close the knob on the vacuum release valve located on top of the tank next to the lid. This will allow the suction valves to reset to open. This operation will need to be repeated each time the tank is re-filled from empty.

Switch on the pump switch mounted on the handle bar of the ATV. The pump will run for a short time then shut off.

Operate the spray gun trigger. Fluid will be sprayed from the adjustable spray tip and the pump will operate. If necessary adjust the spray tip to alter the spray pattern.

NOTE

If fluid does not flow when the pump is running and the spray gun trigger is operated, switch the pump off and open the knob on the vacuum release valve for five seconds, then close.

Hand Washing

50L and 80L Sprayriders™ are fitted with a 2-litre fresh-water wash tank for hand washing in the field. To wash hands pull the outlet valve to the open position, wash hands then push the valve closed.

NOTE

Hand wash tanks are **not** fitted to SR35 tanks and are only applicable to 50/80 litre models.



CHEMICAL APPLICATION

CAUTION

This handgun sprayer is not a high volume sprayer nor is it ultra low volume. As a general rule for most spotting applications, label rates under the heading "knapsack rates" would apply.

As no control can be exercised over the use of the equipment or over weather, plant or soil conditions, or over the storage, handling, mixing, use or application of sprays or chemicals, C-Dax Ltd will not accept any liability for loss or damage (consequential or otherwise) arising directly or indirectly from the use of this equipment.

Chemical Advice

C-Dax Ltd or their agents cannot make recommendations or give advice as to the use of chemicals and cannot accept responsibility for any damage, injury or other consequence for disregarding this warning notice. Contact your chemical supplier for advice.

WARNING

Mixing chemicals is a most dangerous activity as it involves handling the concentrated material. For toxic compounds, use protective clothing such as overalls, hat, gloves, boots and respirator.

When using diluted sprays, wear at least a hat, long-sleeved cotton overalls, and boots. If you use pesticides regularly, it is a good idea to always wear a respirator to avoid accumulation of toxins in the body. Other protection may be required. Check the label for specific directions for the particular chemical.

Purchasers must ensure that operators of these machines are fully aware of the dangers of spraying chemicals.

OPERATING HINTS

Spray Hose

Be careful not to wrap the hose so tight as to inhibit the flow of fluid by kinking the hose.

Length of Spray Hose

If most spraying is "from the seat", the hose length should be shortened. Quick release hose connectors (brass) are available from your C-Dax dealer. These will enable the operator to simply connect the longer hose when required.

Nozzle Choice

Nozzles provided have been selected to match the performance of the pump. The adjustable nozzle gives a cone pattern, ideal for spot spraying.

Tank Inserts

Do not over-tighten the quick release hose connector (brass) when fitting it to the tank return brass insert (SR50/80 only). If the insert is over-strained a leak could occur. Liquid thread seal is recommended to ensure a leak-free joint. Plastic thread tape is not recommended.

Pump

The Flojet pump features an internal bypass function and as such it needs no pressure adjustment. When the flow is restricted and pressure builds up the pump will automatically bypass fluid.

Using the Sprayrider™ with a Spray Boom

NOTE SR35 is a spot sprayer only and is not suitable for boom spraying

All spray booms supplied by C-Dax as 12Volt Sprayer accessories are supplied with a quick release valve to allow convenient connection of either the spray gun or spray boom. Spray booms that require a bypass to divert fluid back to the tank, such as the CDA booms, are supplied with a bypass fitting to screw into the rear of the Sprayer tank.

All spray booms intended for use with the Sprayrider™ are supplied with spray tips that match the output of the SR35/50/80 pump and will spray at approximately 2 bar (30 psi). Changing the tip size will alter the spraying pressure.

Decreasing tip size will increase the spraying pressure. The spray tips are calibrated to 4 bar spraying pressure, which determines the minimum tip size that can be fitted.

Increasing the tip size will decrease the spraying pressure. All spray booms sold by C-Dax for use with the Sprayrider™ are fitted with non-drip check valves. These valves close at a pressure of 0.8 bar (10 psi). For reliable boom operation we do not recommend spraying pressure below 1 bar (15 psi).

ROUTINE MAINTENANCE

Cleaning

Clean the sprayer regularly! After each use flush the unit out three times with fresh water. Use a neutralizing agent for the second rinse.

CAUTION

To prevent damage to the sprayer and spray gun, drain the water from the sprayer and spray gun when there is a risk of frost.

Filters

There are four filters in each Sprayrider™ fluid system. Each one must be checked and cleaned after each use.

The tank strainer basket is retained by the lid to assist cleaning. Always clean the strainer before filling the tank with spray solution.

The C-Dax valve assembly at the base of each leg has a stainless steel mesh filter for straining the fluid before it reaches the pump. Unscrew the cap at the base of each leg and allow the valve assembly to hang free from the tank. This exposes the valve filter mesh for cleaning. Take care not to lose the O-ring.

Carefully rinse each stainless steel mesh with a hose.

CAUTION

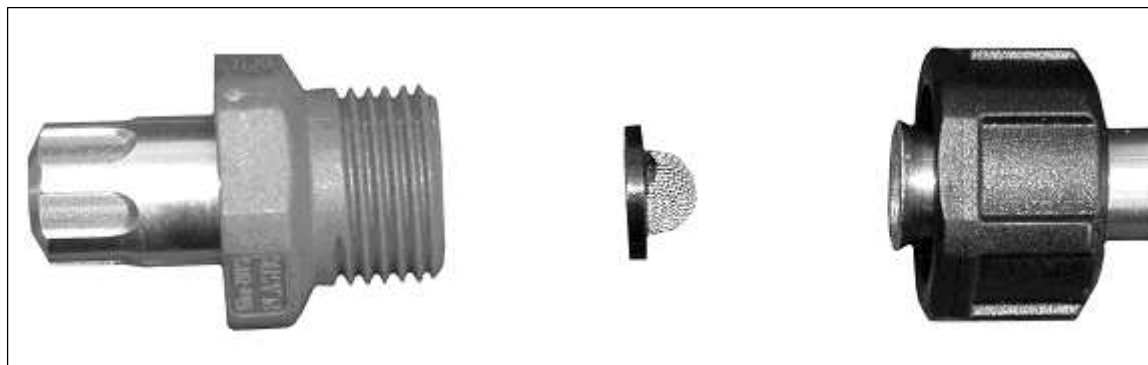
To avoid damage to the filter mesh, do not attempt to remove the mesh from the valve assembly. Do not use excessive pressure when cleaning the valve and filter mesh.

CAUTION

When refitting the valve, do not overtighten the valve nut. Tighten to hand tight only.

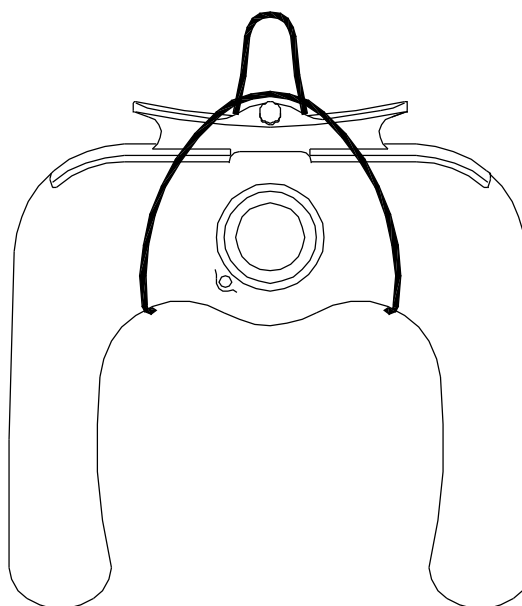


Each HGSR spray gun has a built-in filter in the spray tip. Unscrew the red spray tip holder from the lance nut to expose the tip filter. Pull the lance nut back to reveal the filter. Rinse under a hose and replace the filter element in the spray tip (the dished side faces toward the trigger).



Removal of the Sprayrider™

1. Unplug the switch/battery cable at the tank connector.
2. Release the ratchet strap.
3. Lift the Sprayrider™ off the vehicle.
4. Place the tank on a suitable support so that the legs do not have to support the weight of the tank. The tank can be conveniently hung on a wall using a loop of string around the center of the tank.



Lubrication of the Spray Lance

For trouble-free operation of the spray lance it is recommended that the trigger valve be lubricated with rubber grease (lanolin) at regular intervals. Unscrewing the black knob on the top side of the spray gun handle accesses the trigger valve. The interval should reflect the usage of the lance.

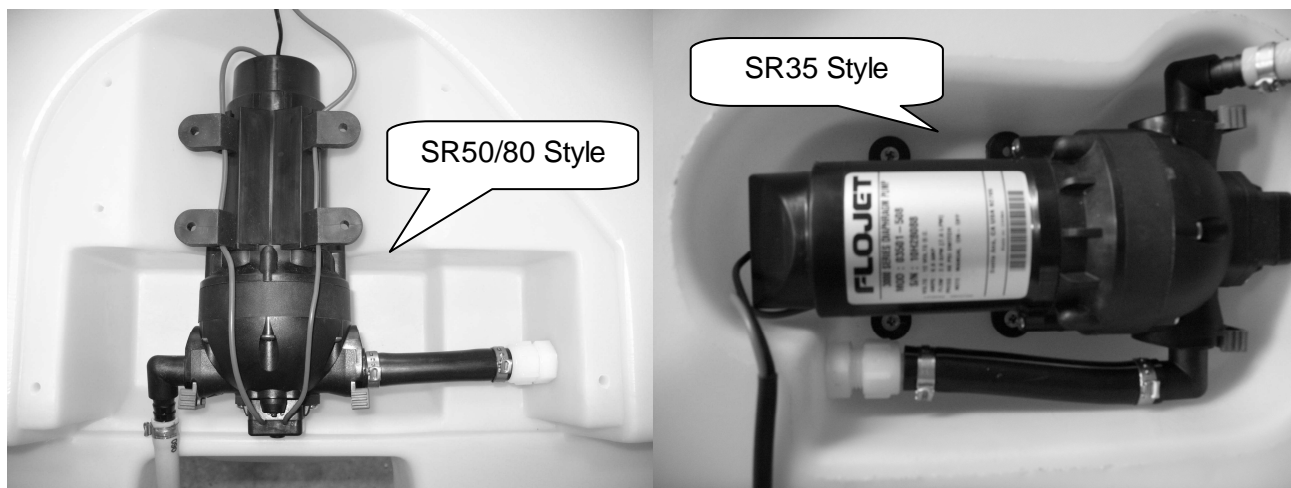
Care of Protective Clothing

Protective clothing should be properly cared for. Rinse heavily contaminated clothes in the open before washing in the laundry. Wash and dry these clothes every day and keep them separate from other washing.

Respirators need special care. Clean the respirator after spraying. Use soapy water then rinse and allow to dry completely before storing in a clean plastic bag. Replace canisters in respirator after eight hours use. Never store used canisters with the respirator.

The minimum requirements for personal safety are that the operator avoids spray inhalation and does not allow chemicals or spray mixture to contaminate the eyes or skin.

Removing the Pump



CAUTION

To prevent damage to the pump and tank connector ensure the tank is upside down when removing the pump cover. **Remove the vacuum release valve first to prevent damage.**

1. Remove the vacuum release valve.
2. Place the sprayer upside down.
3. Remove the six screws securing the pump cover and remove the cover (SR50/80 only)
4. Unclip the suction and delivery hose connections by pulling the blue tabs into the unlocked position.
5. Unscrew the four mounting screws hold the pump in place (SR35 only)
6. Lift out the pump.

Installing the Pump

CAUTION

To prevent leaks, **never** use thread tape on the suction or delivery hose connections as this may prevent proper sealing of the cones. Do the nuts up finger tight then advance the nuts one quarter turn.

1. Place the pump in the pump cavity as shown above.
2. Connect the suction and delivery hoses.
3. Screw four mounting screws into inserts (SR35 only)
4. Replace the pump cover. (SR50/80 only)

CAUTION

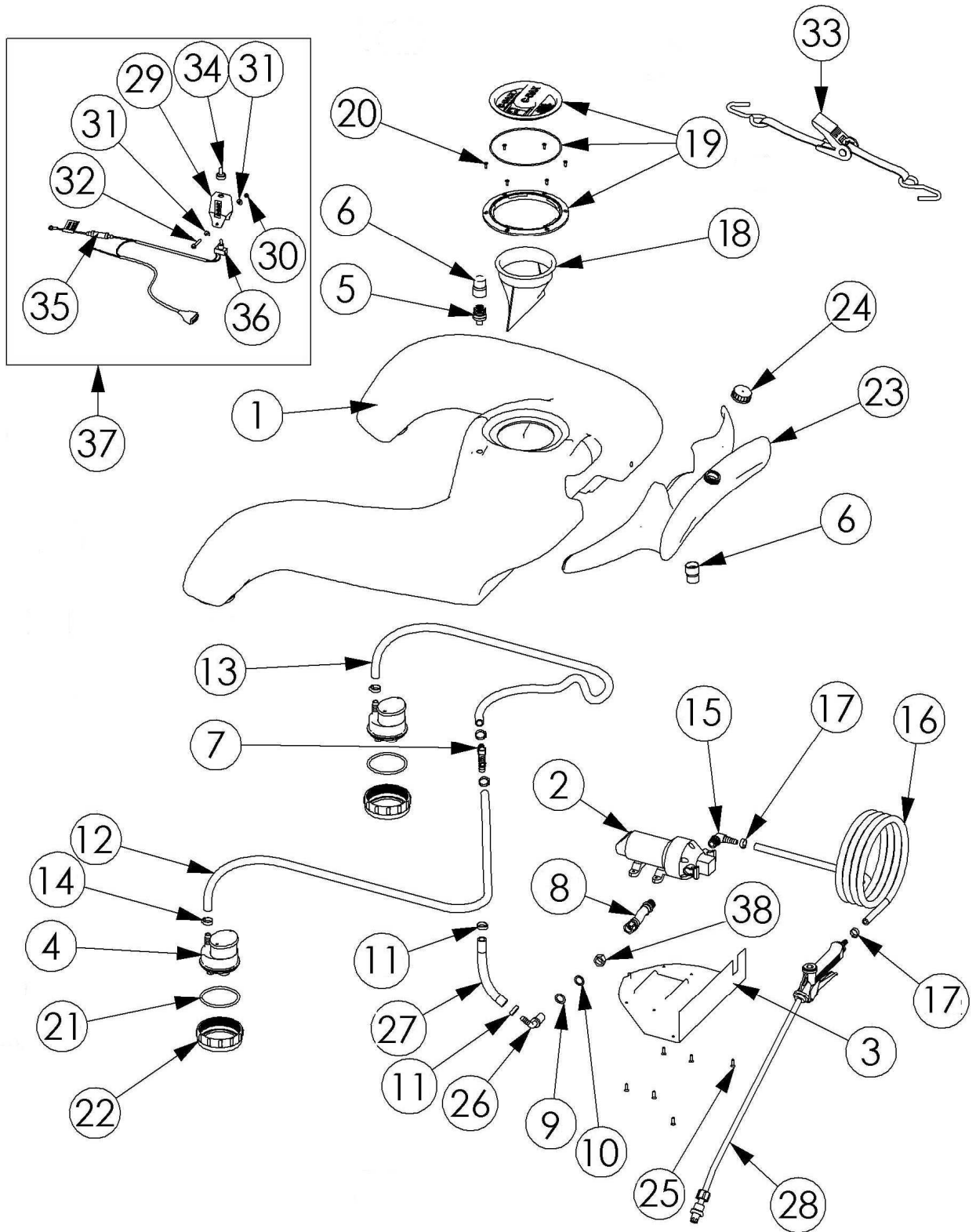
Always operate the SR50/80 with the pump cover in place. The pump cover holds the pump in position

TROUBLESHOOTING

C-Dax Ltd and their distributors have a comprehensive parts inventory and capable service staff. Repairs should only be undertaken by C-Dax, or an authorised C-Dax service center.

Symptom	Possible causes (procedure)	Probable solution
Pump does nothing (makes no noise)	Blown fuse (check wiring for shorting and inspect fuse)	Repair/replace faulty wiring or 15A fuse as necessary
	Loose/intermittent connection (check all wiring and connections)	Check all wiring and connectors to ensure solid connection
	On/Off switch failed (remove switch from handle bar, bridge the 2 spade terminals using a screw driver)	Replace switch if using the screw driver causes pump to work
	If all above fails, likely cause is pump failure	Take in to local dealer or send to C-Dax for repair. Be sure to include sufficient paperwork detailing the problem.
Pump runs for few seconds then stops	Pump has primed and pressure switch has activated (this is normal)	No fault, squeeze spray trigger and use as per usual
Fluid leaks from drain holes in pump	Internal leak within pump head	Take in to local dealer or send to C-Dax for repair. Be sure to include sufficient paperwork detailing the problem.
Tank empties from one leg only	One of the filter valves are not sealing off properly (Inspect the filter valve at the base of each leg)	1. Unscrew the nut that holds the filter valve on to the bottom of the leg. Clean filter thoroughly but carefully using hose.
		2. Check the hose that connects to the filter valve for splits at bottom. If split found: replace hose.
		3. If all above fails, replace filter valve(s)
Tank only partially empties	One of the internal suction hoses has developed a leak.	Remove lid and inspect internal suction hoses. The split/hole will be at the same level as the fluid. You may need to detach the hoses from the black cross-fitting at the top of the tank and extract by removing the filter valve at the bottom of the leg (be sure to empty tank first).
Pump runs but does not spray (or sprays but with little pressure)	Air lock in pump	Operate spray gun trigger until all air is expelled from the pump and hose (may take a few moments)
	Air leak in suction line	Inspect the suction line (between the tank and pump) for signs of split hoses and loose clamps. Replace split hose if required and ensure all clamps are done up tight.
	Blocked suction filter valves	Inspect filter valves and clean if necessary
	Air lock in suction line	Pop up the blue/white vacuum release valve on top of the tank and press it down again (ensure this valve is screwed on to the black fitting tightly).
	Dirt or spray residue in pump valves	Replace valves inside pump
	Pump fails to prime (usually on very first use)	Remove the blue/white vacuum release valve on top of the tank by carefully unwinding it from the black fitting (ensure the black fitting stays attached to the tank). Now force water (from a garden hose) down the black fitting while the pump is running, this should force the pump to prime. Screw the blue/white vacuum release valve back on to the black fitting tightly and pop the valve down. This should prime the pump and make the sprayer operate as per normal.
Pump sprays but does not stop spraying	Spray gun trigger open	No fault, close trigger

SR50/80 PARTS DIAGRAM



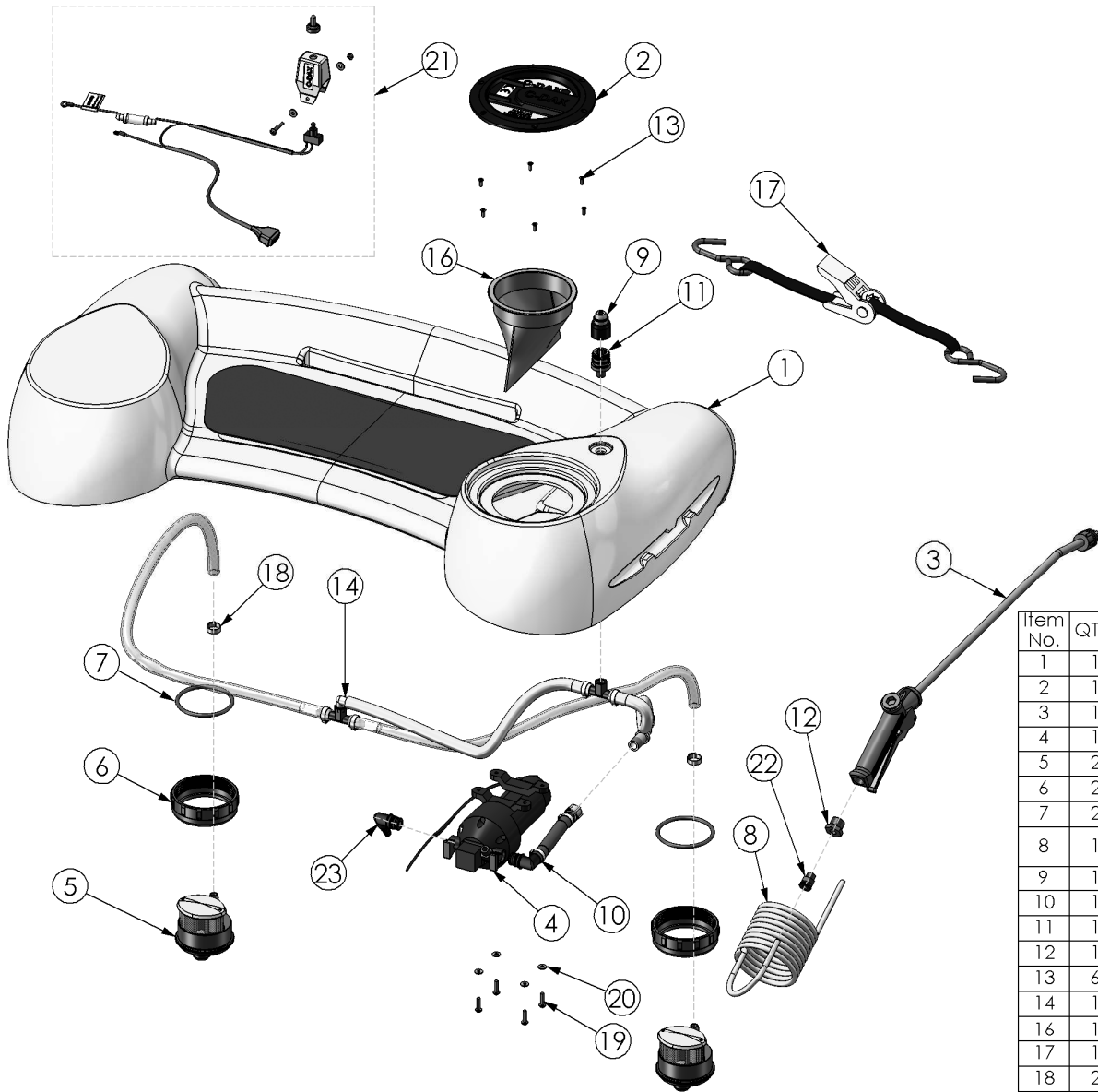
SR50/80 PARTS LIST

- Sprayrider -				
ITEM NO.	Part No	DESCRIPTION	QTY.	NOTES
1	7500-3650	Tank-50L-Sprayrider-Yellow-MDPE-Incl MIG	1	
	7500-3900	Tank-80L-Sprayrider-Yellow-MDPE-Incl MIG	1	
2	6800-5000	Pump-Flojet-Triplex-12 Volt-7.6LPM-Quad Ports	1	
	8427-6715	Pump Assembly-Sprayrider 50/80-Flojet Quadport	1	
3	7500-1500	Cover-Pump-SR50/80-Yellow-MDPE	1	
4	8427-9690	Valve Assembly-Suction-Sprayrider 50/80	2	
5	6200-1020	Pipe-Fitting-Adaptor-1/4BSPMxM28-SR G2-Nylon	1	
6	8900-8580	Valve-Water Bottle-Sipper Cap-Bottle thread-Plastic	2	
7	6200-9300	Pipe-Fitting-TeeJet-Cross-Shank13x13x13x1/4"NPTF-Black-Nylon	1	
8	8427-4150	Hose Assembly-Suction-Sprayrider 50/80 Quadport	1	For Flojet Quad Port Pump
9	3700-9150	Gasket-Washer-25x17.4x1.4-Nylon	1	
10	3700-9130	Gasket-Washer-17x23x2-Rubber	1	
11	2000-2019	Clamp-Hose-Oetiker-Single Ear Stepless-19.4<>22.6mm-S/S	2	
12	8840-8413	Tube-Transluscent-13MM-100PSI (1.15m)	1	
13	8840-8413	Tube-Transluscent-13MM-100PSI (1.15m)	1	
14	2000-2017	Clamp-Hose-Oetiker-Single Ear Stepless-16.6<>19.8mm-S/S	4	
15	6200-2980	Pipe-Fitting-Flojet-Elbow-10-13mm ShankxQuad Port Pump-Nylon	1	
16	4100-0008	Hose-Spray-Delivery-40 Bar-8.5mm ID-Yellow (10m)	1	
17	2000-2014	Clamp-Hose-Oetiker-Single Ear Stepless-14.5<>7.0mm-S/S	2	
18	3400-1110	Filter-Basket-D150-Mesh	1	
19	8427-6005	Lid & Ring Assembly-D150-C-Dax Vented-Blue-Nylon	1	
20	3270-8012	Fastener-Self Tap-Screw-CSK-8Gx1/2"-Pozi-Stainless	6	
21	5500-9110	O'Ring-Metric-5.0x80mm-N70	2	*5
22	3400-5500	Filter-Nut-Bowl-Arag-Series 312 & 314-Nylon	2	
23	7500-5100	Tank-Rinse-Sprayrider-Blue-MDPE	1	
24	1600-7001	Cap-Tank-Freshwater-Drilled-Black	1	
25	3070-0516	Fastener-Machine-Screw-CSK-M5x16-Phillips-Stainless	6	*4
26	6200-9410	Pipe-Fitting-Thru Tank-Elbow-13 Shankx11/16UNFM-Nylon	1	*3
27	4100-0013	Hose-Spray-Delivery-40 Bar-13mm ID-Yellow (0.3m)	1	*1
28	4000-5000	Hand Gun-SR-Lance-Complete-600mm-Cone Nozzle-Adjustable	1	*2
29	7500-2300	Housing-Switch-Handlebar-Yellow-MDPE	1	
30	3180-0005	Fastener-Nut-Plain-M5-ZP	1	
31	3310-6005	Fastener-Washer-Flat-M5-ZP	2	

32	3110-0530	Fastener-Machine-Screw-Pan-M5x30-Pozi-ZP	1	
33	8410-8450	Strap-Tie Down-Ratchet-Blue	1	
34	2250-8200	Cover-Switch-Water Proof Boot-Toggle Lever-Rubber-Black	1	
35	3600-1010	Fuse Link-Electrical-Standard Blow-15 Amp-1"x1/4"-Glass	1	
36	8450-2410	Switch-Electrical-Toggle-SPST-250V-16Amp	1	
37	8427-8270	Switch Assembly-Handlebar Mount-Sprayrider 50/80	1	
38	6200-5420	Pipe-Fitting-Nut-Back-11/16UNFM-Plastic	1	
*1	Length of hose was 0.5M pre October, 2006			
*2	Post serial number; SR50-1573			
	SR80-1925			
*3	Connector was a straight (14014) pre October, 2006			
*4	Post December, 2005			
*5	O Ring was 83 x 3.5 NI (10357) pre serial number 366			
	O Ring was 80 x 4 NI (10314) post serial number 365 and pre serial number; SR50-918			
	SR80-937			

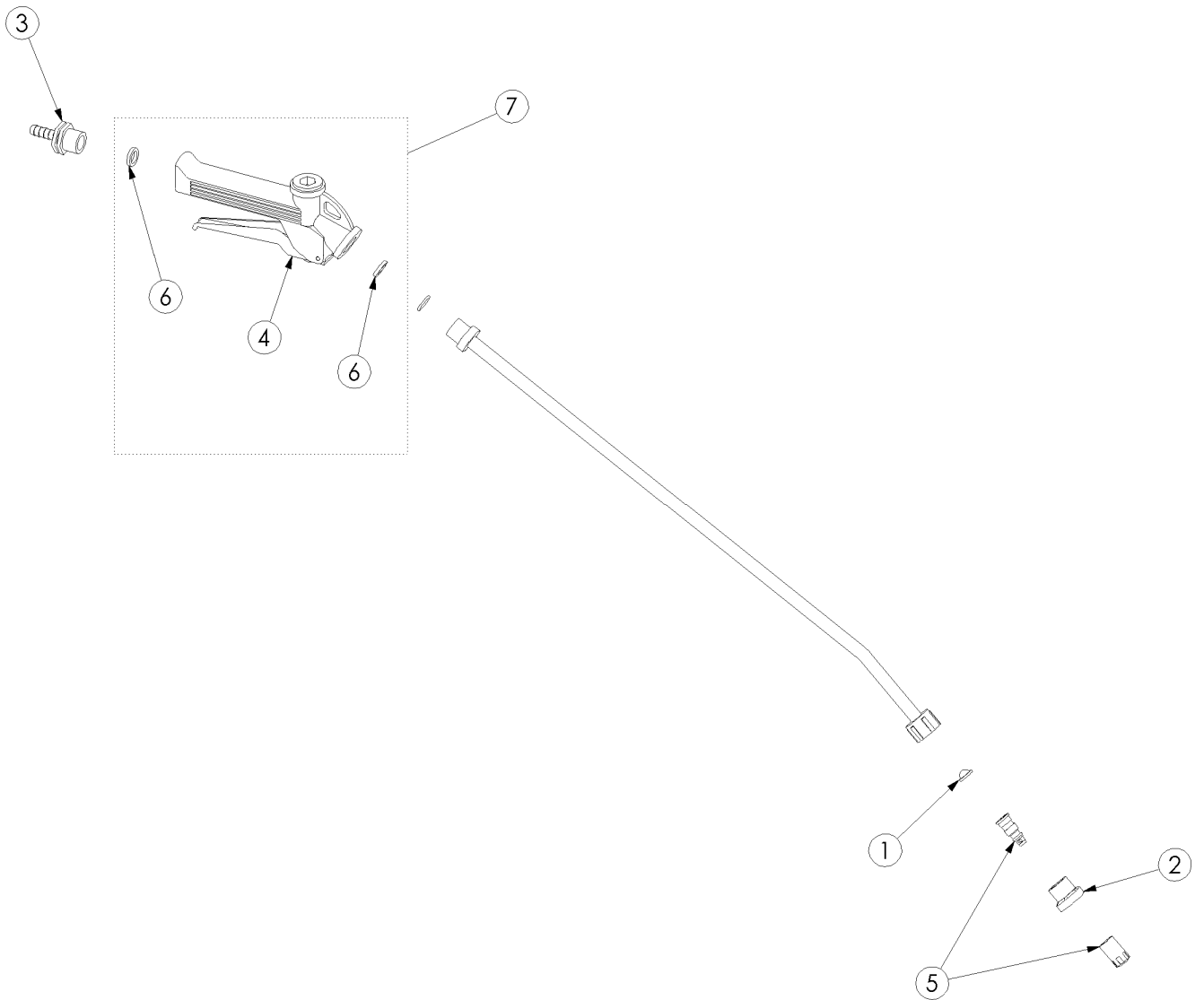
Notes

*1	Length of hose was 0.5M pre October, 2006
*2	Post serial number; SR50-1573 SR80-1925
*3	Connector was a straight (14014) pre October, 2006
*4	Post December, 2005
*5	O Ring was 83 x 3.5 NI (10357) pre serial number 366 O Ring was 80 x 4 NI (10314) post serial number 365 and pre serial number; SR50-918 SR80-937



Item No.	QTY.	e9 Part No	e9 Description
1	1	7500-3360	Rota-Tank-35L-Sprayrider-Yellow-Incl-MIG
2	1	8427-6005	Lid & Ring Assembly-D150-C-Dax Vented-Blue-Nylon
3	1	4000-5000	Hand Gun-SR-Lance-Complete-600mm-Cone Nozzle-Adjustable
4	1	6800-5000	Pump-Flojet-Triplex-12 Volt-7.6LPM-Quad Ports
5	2	8427-9690	Sub-Valve Assembly-Suction-Sprayrider 50/80
6	2	3400-5500	Filter-Nut-Bowl-Arag-Series 312 & 314-Nylon
7	2	5500-9110	O'Ring-Metric-5.0x80mm-N70
8	1	4098-0018	Hose-Self Store-8mm-3m working length-100mm tails-UV Stabilised Yellow-Nylon
9	1	8900-8580	Valve-Water Bottle-Sipper Cap-Bottle thread-Plastic
10	1	8427-4146	Sub-Hose Assembly-Suction-Sprayrider SR35 Quadport
11	1	6200-1020	Pipe-Fitting-Adaptor-1/4BSPMxM28-SR G2-Nylon
12	1	6200-7320	Pipe-Fitting-Reducer-1/2NPTMx1/4NPTF-Straight-Plastic
13	6	3270-8012	Fastener-Self Tap-Screw-CSK-8Gx1/2"-Pozi-Stainless
14	1	8427-4126	Sub-Hose Assembly-Internal Suction-Sprayrider SR35 Quadport
16	1	3400-1110	Filter-Basket-D150-Mesh
17	1	8410-8450	Strap-Tie Down-Ratchet-Blue
18	2	2000-2017	Clamp-Hose-Oetiker-Single Ear Stepless-16.6<>19.8mm-S/S
19	4	3110-0520	Fastener-Machine-Screw-Pan-M5x20-Pozi-ZP
20	4	3310-6005	Fastener-Washer-Flat-M5-ZP
21	1	8427-8270	Sub-Switch Assembly-Handlebar Mount-Sprayrider 50-80
22	1	6200-8685	Pipe-Fitting-Straight-8 Tube Push Inx1/4BSPM-Nylon
23	1	8427-6600	Sub-Pipe Fitting-Elbow Asy-SR35 Outlet-Flojet Quadport

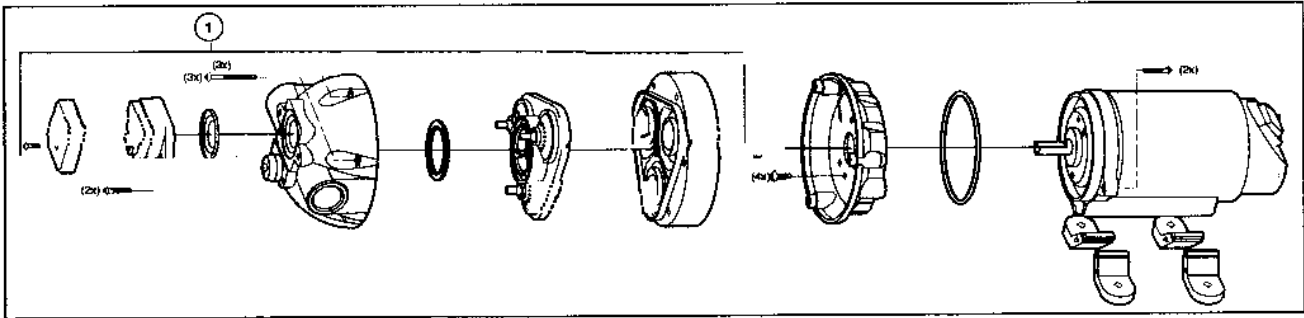
HGSR SPRAYGUN PARTS DIAGRAM



Item No.	QTY.	e9 part no	e9 description
1	1	4000-5028	Hand Gun-SR-Nozzle Filter-Mesh Cup-Stainless
2	1	4000-5030	Hand Gun-SR-Nozzle Nut-Red-Polypropylene
3	1	4000-5020	Hand Gun-SR-Connector-Hose-Shank 10mmx1/2BSPM-Black-Nylon
4	1	4000-5024	Hand Gun-SR-Handle With Blue Trigger-25 Bar-1/2"BSPF
5	1	4000-5026	Hand Gun-SR-Nozzle Adjustable-Cone-2mm-Brass
6	2	4000-5042	Hand Gun-SR-Washer-Gasket-19x12x3mm-White-Nylon
7	1	4000-5022	Hand Gun-SR-Handle Assembly w/shank-HGSR

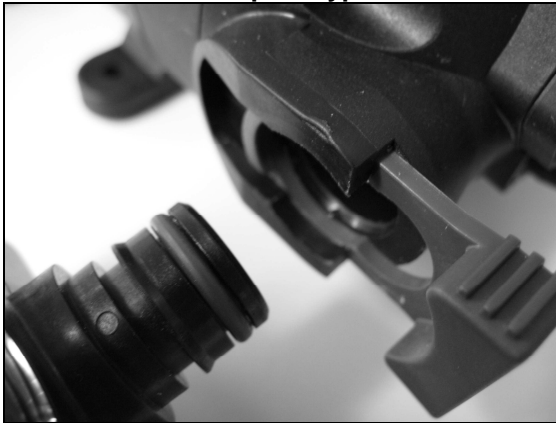
FLOJET SPRAY PUMP RELACEMENT PARTS

The following replacement parts for the 12V Flojet 7.6 L/Min pump are available from any C-Dax dealer:



NOTE
Please select the correct hose connection type for your pump

Quadport Type:



Screw Type:



ITEM	PART NO.	DESCRIPTION
1	6800-5170	Pumphead Kit (includes pressure switch) To suit Screw Type
1	6800-5160	Pumphead Kit (includes pressure switch) To Suit Quadport Type
	6800-5000	Replacement Pump Quadport Type