



## ARP2000 Bulk Bag Lifter

Suitable for lifting bulk bags by crane or bridge crane.  
Durable Painted Finish.

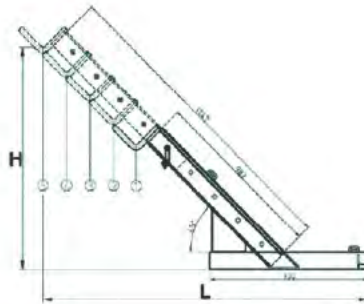


Features	Specifications
Capacity	2000kg
Hook Centre	1000mm
Weight	55kg



## ARN1000 Big Bag Lifter

An economical way to handle single bags.  
Carriage Mounted Installation Method.  
Durable Painted Finish.



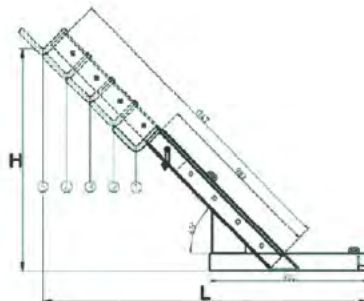
### LIFTING CAPACITY CHART

Inner Position	Length	Height	Capacity
1	860mm	840mm	1000kg
2	995mm	980mm	910kg
3	1130mm	1110mm	830kg
4	1265mm	1245mm	760kg
5	1400mm	1380mm	710kg



## ARN1001 Big Bag Lifter

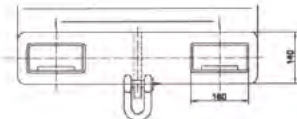
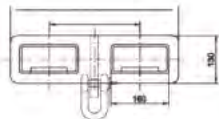
An economical way to handle single bags.  
Slip-On Mounted Installation Method.  
Durable Painted Finish.



### LIFTING CAPACITY CHART

Inner Position	Length	Height	Capacity
1	1320mm	700mm	1000kg
2	1450mm	840mm	910kg
3	1585mm	975mm	830kg
4	1720mm	1110mm	760kg
5	1850mm	1245mm	710kg

# Forklift Attachments



## NK25 - Fork Hook

Features	Specifications
Capacity	2500kg
Maximum Fork Section	160 x 160mm
Weight	25kg

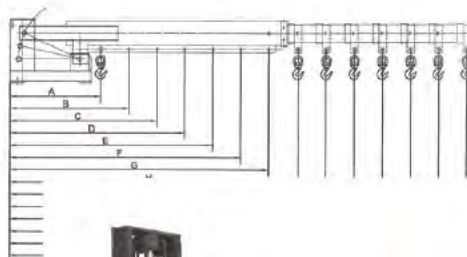
## ARE30 Telescopic Fork Mounted Jib

Slip-On Mounted Installation Method.  
Weighs 230kg.



### LIFTING CAPACITY CHART

Inner Position	Length	Capacity
A	740mm	3000kg
B	969mm	2291kg
C	1198mm	1853kg
D	1427mm	1556kg
E	1656mm	1341kg
F	1885mm	1178kg
G	2114mm	1050kg
H	2352mm	944kg
I	2581mm	860kg
J	2810mm	790kg
K	3039mm	730kg
L	3268mm	679kg
M	3497mm	635kg
N	3726mm	596kg



## NLB6430 Telescopic Fork Mounted Jib

Converts a forklift truck into a mobile crane.  
Slip-On Mounted Installation Method.  
Weighs 190kg.



### LIFTING CAPACITY CHART

Inner Position	Length	Capacity
A	756mm	3000kg
B	986mm	2300kg
C	1216mm	1865kg
D	1446mm	1568kg
E	1676mm	1353kg
F	1906mm	1190kg
G	2138mm	1061kg
H	2367mm	958kg
I	2596mm	874kg
J	2825mm	803kg
K	3054mm	743kg
L	3283mm	691kg
M	3512mm	648kg
N	3741mm	606kg

