

LOAD RESTRAINTS



05 LOAD RESTRAINTS

05 LOAD RESTRAINTS



SLIDE ON TRUCK WINCH (BARE)

CODE	DESCRIPTION	LASHING CAPACITY
GLSTWB	Gold passivate finish slide on truck winch	2500 kg

- AS4380 compliant



CLIP ON TRUCK WINCH (BARE)

CODE	DESCRIPTION	LASHING CAPACITY
GLCTWB	Gold passivate finish clip on truck winch	2500 kg

- AS4380 compliant



REPLACEMENT STRAP

CODE	SIZE	LENGTH	PACK QTY.	LASHING CAPACITY
GLS5009	50mm	9m	10	2500 kg
GLS5011	50mm	11m	10	2500 kg

- AS4380 compliant
- With two Grange Lift wear sleeves
- Heavy duty hook and keeper



RATCHET TIE DOWN

CODE	SIZE	LENGTH	PACK QTY.	LASHING CAPACITY
GLR255	25mm	5m	25	500 kg
GLR356	35mm	6m	10	1000 kg
GLR509	50mm	9m	5	2500 kg
GLR759	75mm	9m	4	5000 kg

- AS4380 compliant
- With two Grange Lift wear sleeves
- Heavy duty ratchet buckle
- Heavy duty hook and keeper



CAM BUCKLE TIE DOWN

CODE	SIZE	LENGTH	PACK QTY.	LASHING CAPACITY
GLCS252	25mm	2m	24	250 kg

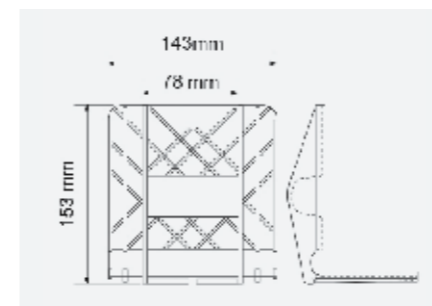
- AS4380 compliant
- Comes in a pack of two
- Black S hooks each end



CORNER PROTECTOR (PLASTIC)

CODE	SIZE	LASHING CAPACITY
GLCPS	143mm/153mm	2500 kg

Durable corner protector ideal for use with webbing tie downs up to 75mm wide. The corner protector will prevent wear, abrasion and cutting.



ASD10 ALUMINIUM CARGO BAR

FEATURES	SPECIFICATIONS
Range	2200 - 2610mm
Construction	Aluminium Round Tube

One-piece aluminium tubing with articulating foot pads. Secures and helps keep load from shifting and falling in transit. Use between walls or floor and roof of van, truck, trailer or rail car. Push against load, extend bar to suit and lock in place to secure load. Use Cargo Bars in pairs for best results.



ASD20 STEEL CARGO BAR

FEATURES	SPECIFICATIONS
Range	2200 - 2920mm
Construction	Steel Square Tube

38mm Two-piece square steel tubing with articulating rubber foot pads. Mechanical ratchet operation ensures Cargo Bars will not slip or vibrate loose. Ideal for wet or freezing conditions. Two-piece hinged bar can be folded and easily stored in trailer cab.



PH: (03) 9792 3949 FAX: (03) 9791 2484

sales@dandenongcastors.com.au

415 Hammond Rd, Dandenong VIC 3175



GRADE 70 TRANSPORT CHAIN

CODE	CHAIN SIZE	LASHING CAPACITY	METRES PER DRUM
GL70C06	6mm	2300 kg	800m
GL70C08	8mm	3800 kg	400m
GL70C10	10mm	6000 kg	300m
GL70C13	13mm	9000 kg	200m

WARNING: Grade 70 Must not be used for lifting purposes.

- AS4344 compliant

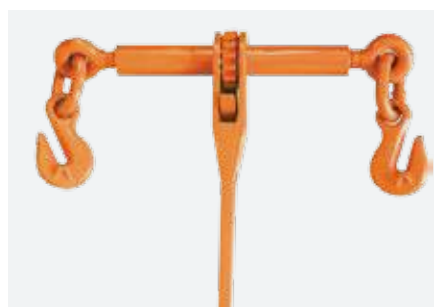


GRADE 70 LOAD RESTRAINT KIT

CODE	CHAIN SIZE	LENGTH	LASHING CAPACITY
GL70K086	8mm	6m	2300 kg
GL70K089	8mm	9m	3800 kg
GL70K106	10mm	6m	6000 kg
GL70K109	10mm	9m	9000 kg

Grange Lift Load restraint chain assemblies come in a handy reusable carry box.

- AS4344 compliant
- Winged grab hooks, each end
- Gold zinc plated



LOADBINDER RATCHET

CODE	SIZE	LASHING CAPACITY
GL70RL06	6mm	2300 kg
GL70RL08	7/8mm	3800 kg
GL70RL10	10mm	6000 kg
GL70RL13	13mm	9000 kg

- AS4344 compliant
- Manufactured from dropped forged steel
- Winged hooks



LOADBINDER LEVER

CODE	SIZE	LASHING CAPACITY
GL70LL06	6mm	2300 kg
GL70LL08	7/8mm	3800 kg
GL70LL10	10mm	6000 kg
GL70LL13	13mm	9000 kg

- AS4344 compliant
- Manufactured from dropped forged steel
- Winged hooks



GRADE 70 CLEVIS GRAB HOOK

CODE	SIZE	LASHING CAPACITY
GL70H06	6mm	2300 kg
GL70H08	7/8mm	3800 kg
GL70H10	10mm	6000 kg
GL70H13	13mm	9000 kg

- AS4344 compliant
- Winged
- Gold zinc plated



GRADE 70 CLEVIS SLIP HOOK

CODE	SIZE	LASHING CAPACITY
GL70S06	6mm	2300 kg
GL70S08	7/8mm	3800 kg
GL70S10	10mm	6000 kg
GL70S13	13mm	9000 kg

- AS4344 compliant
- Gold zinc plated



GRADE 70 CLEVIS LUG LINK

CODE	SIZE	LASHING CAPACITY
GL70L06	6mm	2300 kg
GL70L08	7/8mm	3800 kg
GL70L10	10mm	6000 kg
GL70L13	13mm	9000 kg

- AS4344 compliant
- Gold zinc plated

WARNING:

Grade 70 Must not be used for lifting purposes.



PH: (03) 9792 3949 FAX: (03) 9791 2484

sales@dandenongcastors.com.au

415 Hammond Rd, Dandenong VIC 3175