

# A-justa-foot™

The A-JUSTA-FOOT is a multi-adjustable pedestal foot, ideal for industrial, commercial, workshop or food industry applications.

The special insert in the base helps to absorb vibration and means your machinery will stay exactly where you put it.

A-JUSTA-FOOT is available in a large variety of sizes.

Special requirements can often be produced.

To complement the A-JUSTA-FOOT range, inserts for round or square tube are available to fit light wall tube.

The inserts are designed especially so they can be turned down to fit heavier wall RHS.

**SPECIFICATIONS ON INSIDE PAGES.**

## MATERIALS

Base - Glass reinforced Nylon - Black

Ball - Glass reinforced Nylon - Black

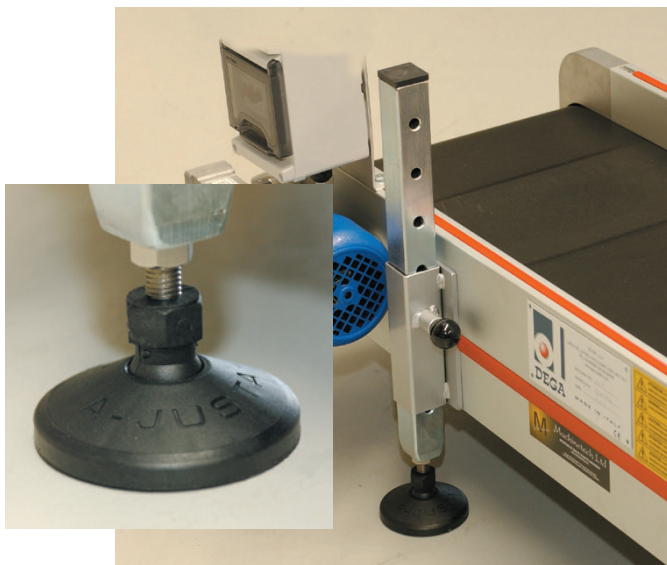
Pad - Synthetic Rubber Shore 73

Stud - Mild steel - Plated or Stainless Steel

Nut - Mild steel - Plated or Stainless Steel

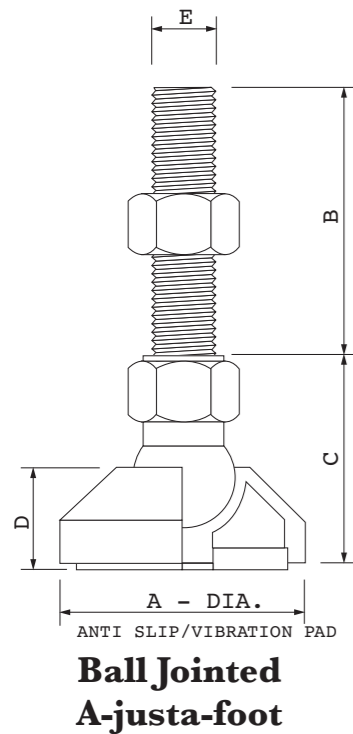
Maximum adjustable angle - 20°

Tube ends - Glass reinforced Nylon with Threaded Metal insert.



**February 2015 Edition**

# A-justa-foot SPECIFICATIONS



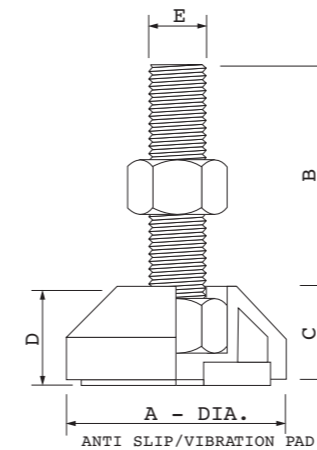
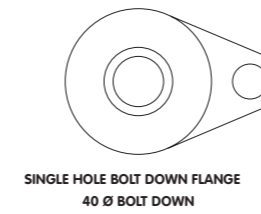
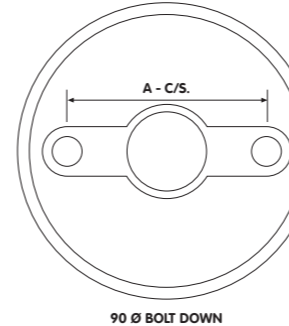
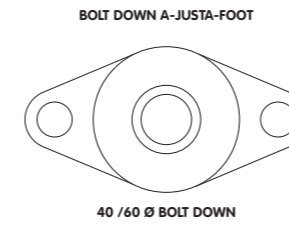
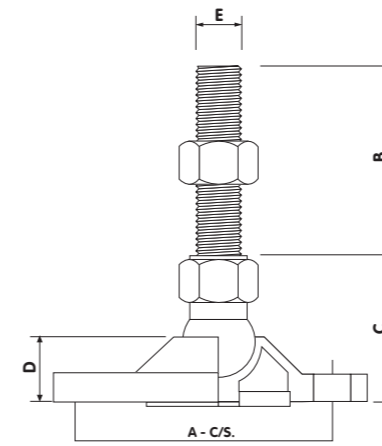
## Ball Jointed A-justa-foot (Mild Steel) 20 Series

Part #	Size	A	B	C	D	E	Rating
20/40/M8/35	40xM8	40	35	33	20	M8	350kg
20/40/M8/60	40xM8	40	60	33	20	M8	350kg
20/40/M10/35	40xM10	40	35	33	20	M10	500kg
20/40/M10/60	40xM10	40	60	33	20	M10	500kg
20/60/M12/65	60xM12	60	65	51	25	M12	800kg
20/60/M16/65	60xM16	60	65	51	25	M16	1000kg
20/90/M12/65	90xM12	90	65	51	25	M12	800kg
20/90/M16/65	90xM16	90	65	51	25	M16	1000kg
20/60/M16/150	60xM16	60	150	51	25	M16	1000kg
20/90/M16/150	90xM16	90	150	51	25	M16	1000kg
20/60/M20/100	60xM20	60	100	51	25	M20	1000kg
20/60/M20/165	60xM20	60	165	51	25	M20	1000kg
20/90/M20/100	90xM20	90	100	51	25	M20	1000kg
20/90/M20/165	90xM20	90	165	51	25	M20	1000kg
20/125/M12/65	125xM12	125	65	56	30	M12	900kg
20/125/M16/65	125xM16	125	65	56	30	M16	1100kg
20/125/M16/150	125xM16	125	150	56	30	M16	1100kg
20/125/M20/100	125xM20	125	100	56	30	M20	1200kg
20/125/M20/165	125xM20	125	165	56	30	M20	1200kg

## Ball Jointed A-justa-foot (Stainless Steel) 21 Series

Part #	Size	A	B	C	D	E	Rating
21/40/M6/40	40xM6	40	40	33	20	M6	100kg
21/40/M8/80	40xM8	40	80	33	20	M8	350kg
21/40/M10/60	40xM10	40	60	33	20	M10	500kg
21/60/M12/65	60xM12	60	65	51	25	M12	800kg
21/60/M16/65	60xM16	60	65	51	25	M16	1000kg
21/90/M12/65	90xM12	90	65	51	25	M12	800kg
21/90/M16/65	90xM16	90	65	51	25	M16	1000kg
21/60/M16/165	60xM16	60	165	51	25	M16	1000kg
21/90/M16/165	90xM16	90	165	51	25	M16	1000kg
21/60/M20/100	60xM20	60	100	51	25	M20	1000kg
21/60/M20/165	60xM20	60	165	51	25	M20	1000kg
21/90/M20/100	90xM20	90	100	51	25	M20	1000kg
21/90/M20/165	90xM20	90	165	51	25	M20	1000kg
21/125/M12/65	125xM12	125	65	56	30	M12	900kg
21/125/M16/65	125xM16	125	65	56	30	M16	1100kg
21/125/M16/165	125xM16	125	165	56	30	M16	1100kg
21/125/M20/100	125xM20	125	100	56	30	M20	1200kg
21/125/M20/165	125xM20	125	165	56	30	M20	1200kg

A-JUSTA-FOOT is available in other stud lengths (B) as required.



## Bolt Down A-justa-foot (Mild Steel) 30 Series

Part #	Size	A	B	C	D	E	Rating
30/40/M8/60*	40xM8	60	60	33	20	M8	350kg
30/40/M8/35*	40xM8	60	35	33	20	M8	350kg
30/40/M10/60*	40xM10	60	60	33	20	M10	500kg
30/40/M10/35*	40xM10	60	35	33	20	M10	500kg
30/60/M12/65	60xM12	80	65	51	23	M12	800kg
30/60/M16/65	60xM16	80	65	51	23	M16	1000kg
30/60/M16/150	60xM16	80	150	51	23	M16	1000kg
30/60/M20/100	60xM20	80	100	51	23	M20	1000kg
30/60/M20/165	60xM20	80	165	51	23	M20	1000kg
30/90/M12/65	90xM12	60	65	51	25	M12	800kg
30/90/M16/65	90xM16	60	65	51	25	M16	1000kg
30/90/M16/150	90xM16	60	150	51	25	M16	1000kg
30/90/M20/100	90xM20	60	100	51	25	M20	1000kg
30/90/M20/165	90xM20	60	165	51	25	M20	1000kg

\* Denotes also available with single hole flange

## Bolt Down A-justa-foot (Stainless Steel) 31 Series

Part #	Size	A	B	C	D	E	Rating
31/40/M8/80*	40xM8	60	80	33	20	M8	350kg
31/40/M10/60*	40xM10	60	60	33	20	M10	500kg
31/60/M12/65	60xM12	80	65	51	23	M12	800kg
31/60/M16/65	60xM16	80	65	51	23	M16	1000kg
31/60/M16/165	60xM16	80	165	51	23	M16	1000kg
31/60/M20/100	60xM20	80	100	51	23	M20	1000kg
31/60/M20/165	60xM20	80	165	51	23	M20	1000kg
31/90/M12/65	90xM12	60	65	51	25	M12	800kg
31/90/M16/65	90xM16	60	65	51	25	M16	1000kg
31/90/M16/165	90xM16	60	165	51	25	M16	1000kg
31/90/M20/100	90xM20	60	100	51	25	M20	1000kg
31/90/M20/165	90xM20	60	165	51	25	M20	1000kg
30/90/M20/100	90xM20	60	100	51	25	M20	1000kg
30/90/M20/165	90xM20	60	165	51	25	M20	1000kg

A-JUSTA-FOOT is available in other stud lengths (B) as required.

## Fixed A-justa-foot (Mild Steel) 40 Series

Part #	Size	A	B	D	E	Rating
40/40/M8/35	40xM8	40	35	20	M8	350kg
40/40/M10/35	40xM10	40	35	20	M10	500kg
40/40/M10/95	40xM10	40	95	20	M10	500kg
40/60/M12/60	60xM12	60	60	25	M12	800kg

## Fixed A-justa-foot (Stainless Steel) 41 Series

Part #	Size	A	B	D	E	Rating
41/40/M8/35	40xM8	40	35	20	M8	350kg
41/40/M10/35	40xM10	40	35	20	M10	500kg
41/60/M12/60	60xM12	60	60	25	M12	800kg

Fixed A-Justa-Foot is available in other stud lengths (B) as required.

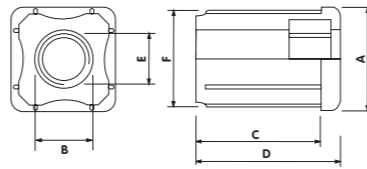
**A-justa-foot contact information**

Phone: 64 9 2777538 Fax: 64 9 2777539 Email: [enquiries@ajustafoot.co.nz](mailto:enquiries@ajustafoot.co.nz)

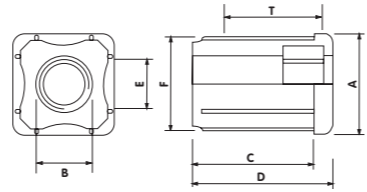
### Square Threaded Tube End (Mild Steel) 10 Series

Part #	Size	A	B	C	D	E	F	G	Rating
10/19/M8	19xM8	19	M8	22.5	24.8	9	16	15-16	50kg
10/25/M8	25xM8	25	M8	39	44	10	23.5	22-23	250kg
10/25/M10	25xM10	25	M10	39	44	11	23.5	22-23	250kg
10/25/M12	25xM12	25	M12	39	44	13	23.5	22-23	250kg
10/25/M16	25xM16	25	M16	39	44	16.5	23.5	22-23	250kg
10/30/M8	30xM8	30	M8	39	45	10	26.8	26-27	350kg
10/30/M10	30xM10	30	M10	39	45	11	26.8	26-27	350kg
10/30/M12	30xM12	30	M12	39	45	13	26.8	26-27	350kg
10/30/M16	30xM16	30	M16	39	45	16.5	26.8	26-27	350kg
10/32/M8	32xM8	32	M8	39	45	10	30	28-29	350kg
10/32/M10	32xM10	32	M10	39	45	11	30	28-29	350kg
10/32/M12	32xM12	32	M12	39	45	13	30	28-29	350kg
10/32/M16	32xM16	32	M16	39	45	16.5	30	28-29	350kg
10/35/M8	35xM8	35	M8	39	45	11	32.2	31-32	350kg
10/35/M10	35xM10	35	M10	39	45	11	32.2	31-32	400kg
10/35/M12	35xM12	35	M12	39	45	13	32.2	31-32	400kg
10/35/M16	35xM16	35	M16	39	45	16.5	32.2	31-32	400kg
10/38/M8	38xM8	38	M8	41	45	10	36	35-36	500kg
10/38/M10	38xM10	38	M10	41	45	12	36	35-36	500kg
10/38/M12	38xM12	38	M12	41	45	13	36	35-36	500kg
10/38/M16	38xM16	38	M16	41	45	18	36	35-36	500kg
10/40/M10	40xM10	40	M10	39	45	11	36.8	36-37	350kg
10/40/M12	40xM12	40	M12	39	45	13	36.8	36-37	350kg
10/40/M16	40xM16	40	M16	39	45	16.5	36.8	36-37	350kg
10/51/M10	51xM10	51	M10	39	47	11	48	47-48	750kg
10/51/M12	51xM12	51	M12	39	47	13	48	47-48	750kg
10/51/M16	51xM16	51	M16	39	47	18	48	47-48	750kg

(G) is recommended ID tube sizes



SQUARE THREADED TUBE END + SQUARE PLUG

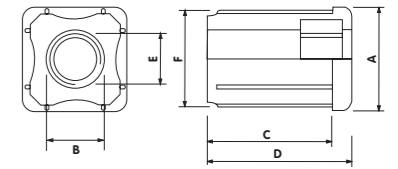


LONG THREADED SQUARE TUBE END

### Square Threaded Tube End (Stainless Steel) 11 Series

Part #	Size	A	B	C	D	E	F	G	Rating
11/19/M8	19xM8	19	M8	22.5	24.8	9	16	15-16	50kg
11/25/M8	25xM8	25	M8	39	44	10	23.5	22-23	250kg
11/25/M10	25xM10	25	M10	39	44	11	23.5	22-23	250kg
11/25/M12	25xM12	25	M12	39	44	13	23.5	22-23	250kg
11/25/M16	25xM16	25	M16	39	44	16.5	23.5	22-23	250kg
11/30/M8	30xM8	30	M8	39	45	10	26.8	26-27	350kg
11/30/M10	30xM10	30	M10	39	45	11	26.8	26-27	350kg
11/30/M12	30xM12	30	M12	39	45	13	26.8	26-27	350kg
11/30/M16	30xM16	30	M16	39	45	16.5	26.8	26-27	350kg
11/32/M8	32xM8	32	M8	39	45	10	30	28-29	350kg
11/32/M10	32xM10	32	M10	39	45	11	30	28-29	350kg
11/32/M12	32xM12	32	M12	39	45	13	30	28-29	350kg
11/32/M16	32xM16	32	M16	39	45	16.5	30	28-29	350kg
11/35/M8	35xM8	35	M8	39	45	11	32.2	31-32	350kg
11/35/M10	35xM10	35	M10	39	45	11	32.2	31-32	400kg
11/35/M12	35xM12	35	M12	39	45	13	32.2	31-32	400kg
11/35/M16	35xM16	35	M16	39	45	16.5	32.2	31-32	400kg
11/38/M8	38xM8	38	M8	41	45	10	36	35-36	500kg
11/38/M10	38xM10	38	M10	41	47	17.7	36	35-36	500kg
11/38/M12	38xM12	38	M12	41	47	13	36	35-36	500kg
11/38/M16	38xM16	38	M16	41	47	18	36	35-36	500kg
11/40/M10	40xM10	40	M10	39	45	11	36.8	36-37	500kg
11/40/M12	40xM12	40	M12	39	45	13	36.8	36-37	500kg
11/40/M16	40xM16	40	M16	39	45	16.5	36.8	36-37	500kg
11/51/M10	51xM10	51	M10	39	45	11	48	47-48	750kg
11/51/M12	51xM12	51	M12	39	45	13	48	47-48	750kg
11/51/M16	51xM16	51	M16	39	45	18	48	47-48	750kg
11/51/M20	51xM20	51	M20	39	45	18	48	47-48	750kg

(G) is recommended ID tube sizes



SQUARE THREADED TUBE END + SQUARE PLUG

### Long Threaded Square Tube End (LTS) Zinc plated mild steel thread. For use with castors.

Part #	Size	A	B	C	D	E	F	G	T	Rating
LTS19/M8	19xM8	19	M8	22.5	24.8	9	16	15-16	16	50kg
LTS19/M10	19xM10	19	M10	22.5	24.8	11	16	15-16	24	50kg
LTS40/M10	40xM10	40	M10	39	45	11	36.6	36-37	24	500kg
LTS40/M12	40xM12	40	M12	39	45	13	36.6	36-37	24	500kg
LTS51/M16	51xM16	51	M16	39	47	18	48	47-48	31	750kg

### Long Threaded Plastic Square (LTPS) s/s nut with a plastic thread in behind it. For use with castors.

Part #	Size	A	B	C	D	E	F	G	T	Rating
LTPS25/M10	25xM10	25	M10	39	44	11	23.5	22-23	24	250kg
LTPS25/M12	25xM12	25	M12	39	44	13	23.5	22-23	24	250kg
LTPS32/M10	32xM10	32	M10	39	45	11	30	28-29	24	350kg
LTPS32/M12	32xM12	32	M12	39	45	13	30	28-29	24	350kg
LTPS38/M10	38xM10	38	M10	41	45	11	36	35-36	24	500kg
LTPS38/M12	38xM12	38	M12	41	45	13	36	35-36	24	500kg
LTPS38/M16	38xM16	38	M16	41	45	17.7	36	35-36	31	500kg
LTPS51/M10	51xM10	51	M10	39	47	11	48	47-48	24	750kg
LTPS51/M12	51xM12	51	M12	39	47	13	48	47-48	24	750kg

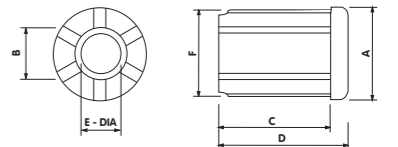
### Square Plug Heavy Duty (No hole)

Size	A	B	C	D	E	F	G
P25	25	-	39	44	16.5	23.5	22-23
P32	32	-	39	45	16.5	30	28-29
P38	38	-	41	47	18	36	35-36
P51	51	-	39	45	18	48	47-48

### Round Threaded Tube End (Stainless Steel) 81 Series

Part #	Size	A	B	C	D	E	F	G	Rating
81/25/M8	25xM8	25	M8	38	46.5	11	23	22	100kg
81/25/M10	25xM10	25	M10	38	46.5	12	23	22	100kg
81/25/M12	25xM12	25	M12	38	46.5	14	23	22	100kg
81/32/M8	32xM8	32	M8	39	45	11	29.5	28-29	200kg
81/32/M10	32xM10	32	M10	39	45	12	29.5	28-29	250kg
81/32/M12	32xM12	32	M12	39	45	14	29.5	28-29	250kg
81/32/M16	32xM16	32	M16	39	45	18	29.5	28-29	250kg
81/38/M10	38xM10	38	M10	38	45	12	35.5	35-36	300kg
81/38/M12	38xM12	38	M12	38	45	14	35.5	35-36	300kg
81/38/M16	38xM16	38	M16	38	45	18	35.5	35-36	300kg
81/40/M8	40xM8	40	M8	39	45	11	36.8	36-37	350kg
81/40/M10	40xM10	40	M10	39	45	12	36.8	36-37	500kg
81/40/M12	40xM12	40	M12	39	45	14	36.8	36-37	500kg
81/40/M16	40xM16	40	M16	39	45	18	36.8	36-37	500kg
81/51/M12	51xM12	51	M12	38	45	14	48	47-48	450kg
81/51/M16	51xM16	51	M16	38	45	18	48	47-48	450kg
81/62/M16	62xM16	62	M16	38	45	18	60.5	60-61	450kg

(G) is recommended ID tube sizes



ROUND THREADED TUBE END

### Long Threaded Round Tube End LTR Zinc plated mild steel thread. For use with castors.

PART #	Size	A	B	C	D	E	F	G	T	Rating
LTR25/M10	25xM10	25	M10	38	46.5	12	23	22	24	100kg
LTR25/M12	25xM12	25	M12	38	46.5	14	23	22	24	100kg
LTR32/M10	32xM10	32	M10	39	45	11	29.5	28-29	24	250kg
LTR32/M12	32xM12	32	M12	39	45	13	29.5	28-29	24	250kg
LTR38/M10	38xM10	38	M10	38	45	18	35.5	35-36	24	300kg
LTR38/M12	38xM12	38	M12	38	45	18	35.5	35-36	24	300kg
LTR51/M12	51xM12	51	M12	38	45	18	48	47-48	24	450kg

# HD A-justa-foot

The HD A-JUSTA-FOOT is a HEAVY DUTY ALL METAL multi adjustable pedestal foot ideal for chemical, industrial and food industry applications. They are extra heavy duty, making them ideal for very heavy machinery. The whole unit, foot, ball and stud are ALL METAL 304 stainless steel. The stainless steel feet are ideally suited to the food and chemical industry where washing down is necessary.

The HD A-justa-foot range is supplied with antislip pad and locknut.

A range of square and round inserts is available to complement the feet. These inserts are designed to be welded into the tube giving the optimum hygienic seal. As the feet and inserts are machined, special requirements in size, length and design are able to be produced.

## HD = Heavy Duty A-justa-foot 121 Series (Stainless Steel)

COMPLETE WITH ANTI SLIP PADS

PART #	Size	A	B	C	D	E	Rating
121/40/M8/60	40xM8	40	60	30	18	M8	500kg
121/40/M10/60	40xM10	40	60	30	18	M10	700kg
121/60/M12/90	60xM12	60	90	44	25	M12	1200kg
121/60/M12/190	60xM12x190	60	190	44	25	M12	1200kg
121/60/M16/90	60xM16	60	90	44	25	M16	2000kg
121/60/M16/190	60xM16x190	60	190	44	25	M16	2000kg
121/60/M20/90	60xM20	60	90	44	25	M20	3500kg
121/60/M20/190	60xM20x190	60	190	44	25	M20	3500kg
121/60/M24/90	60xM24	60	90	44	25	M24	4500kg
121/60/M24/190	60xM24 x190	60	190	44	25	M24	4500kg
121/90/M12/90	90xM12	90	90	44	25	M12	1200kg
121/90/M12/190	90xM12x190	90	190	44	25	M12	1200kg
121/90/M16/90	90xM16	90	90	44	25	M16	2000kg
121/90/M16/190	90xM16x190	90	190	44	25	M16	2000kg
121/90/M20/90	90xM20	90	90	44	25	M20	3500kg
121/90/M20/190	90xM20x190	90	190	44	25	M20	3500kg
121/90/M24/90	90xM24	90	90	44	25	M24	4500kg
121/90/M24/190	90xM24x190	90	190	44	25	M24	4500kg
121/125/M12/90	125xM12	125	90	44	25	M12	1200kg
121/125/M16/90	125xM16	125	90	44	25	M16	2000kg
121/125/M16/190	125xM16x190	125	190	44	25	M16	2000kg
121/125/M20/90	125xM20	125	90	44	25	M20	3500kg
121/125/M20/190	125xM20x190	125	190	44	25	M20	3500kg
121/125/M24/90	125xM24	125	90	44	25	M24	4500kg
121/125/M24/190	125xM24x190	125	190	44	25	M24	4500kg

### SQUARE AND ROUND THREADED TUBE ENDS

designed to be welded in — in 304 stainless steel.

### SQUARE THREADED TUBE END

HD111 available in sizes sq 38mm, 51mm and 62mm in thread sizes to fit the Heavy Duty A-justa-foot range.

### ROUND THREADED TUBE END

HD181 available in sizes sq 38mm, 51mm and 62mm in thread sizes to fit the Heavy Duty A-justa-foot range.

## HDP Heavy Duty Plate

Part #	Base Dia	Thread	Thread length	Base Height	Overall Height	Rating
HDP121/60/M12/80	60	M12	80	12	95	1200 KG
HDP121/60/M12/180	60	M12	180	12	195	1200 KG
HDP121/90/M12/80	90	M12	80	12	95	1200 KG
HDP121/90/M12/180	90	M12	180	12	195	1200 KG
HDP121/60/M16/80	60	M16	80	14	95	2000 KG
HDP121/60/M16/180	60	M16	180	14	195	2000 KG
HDP121/90/M16/80	90	M16	80	14	95	2000 KG
HDP121/90/M16/180	90	M16	180	14	195	2000 KG
HDP121/90/M20/110	90	M20	110	16	126	3500 KG
HDP121/90/M20/180	90	M20	180	16	195	3500 KG

HDP131 SAME AS ABOVE BUT WITH HOLES FOR BOLTDOWN WITH

60 base @ 10mm X 80mm centres and 90mm base @ 12mm x 60mm centres.

HDP is made out of 3.0mm 304 s/s plate and is laser cut to standard stock sizes, We also have the ability to custom laser cut feet to any size or shape depending on quantities. The stud is also 304 s/s which is able to rotate by using the spanner flats machined on the stud while the base stays stationary and once the adjustment is finished you use the half nut supplied to lock the height in position.



HD Foot  
121/60/M16/90  
with square  
HD111/51/M16



HD Foot  
131/90/M16/190

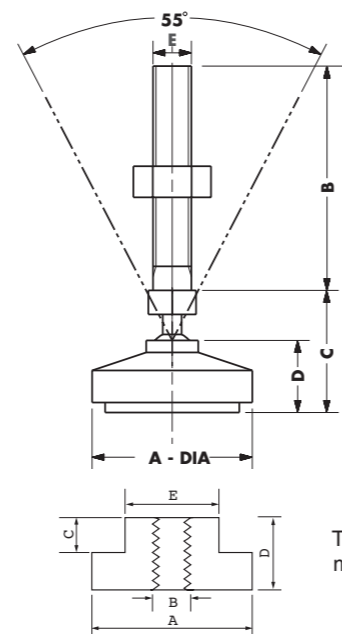
### HEAVY DUTY STAINLESS STEEL BOLT DOWN

Base 90 and 125 are available with Bolt-down holes — Series HD131.

Boltdown holes in 90 have 60mm centres.

Boltdown holes in 125 have 90mm centres.

All boltdown holes are 11mm diameter.



Tube insert all metal, square and round

# HDS A-justa-foot

## HDS = Heavy Duty Slimline (Stainless Steel 304) Series

The HDS A-justa-foot is a HEAVY DUTY ALL METAL multi adjustable pedestal foot, ideal for the chemical, industrial and food industry applications. The complete unit including foot, ball and stud are 304 stainless steel making it perfect for wash down areas.

The HDS A-justa-foot range comes with a antislip pad and locknut.

PART #	SIZE	A BASE	B THREAD LENGTH	C OVERALL HEIGHT	D BASE HEIGHT	E THREAD SIZE	F RATING
HDS40/M10/80	60/M10/80	40	80	19	15	M10	700kg
HDS40/M10/180	60/M10/180	40	180	19	15	M10	700kg
HDS60/M12/80	60/M12/80	60	80	19	15	M12	1200kg
HDS60/M12/180	60/M12/180	60	180	19	15	M12	1200kg
HDS60/M16/80	60/M16/80	60	80	23	15	M16	2000kg
HDS60/M16/180	60/M16/180	60	180	23	15	M16	2000kg
HDS90/M12/80	90/M12/80	90	80	23	15	M12	1200kg
HDS90/M12/180	90/M12/180	90	180	23	15	M12	1200kg
HDS90/M16/80	90/M16/80	90	80	23	15	M16	2000kg
HDS90/M16/180	90/M16/180	90	180	23	15	M16	2000kg
HDS90/M20/100	90/M20/100	90	100	23	15	M20	3500kg
HDS90/M20/180	90/M20/180	90	180	23	15	M20	3500kg



HDS90/M16/80

# HDA A-justa-foot



HDA231/90/M16/70

The HDA 221 Range is ALL STAINLESS STEEL with 10% angle adjustment and the usual height adjustment. This is a simpler design than our HD range. The HDA foot is available in 90mm base, 90 Bolt-down, 125 base, or 125 bolt-down base, all complete with antislip pad, with stud sizes M16, M20, M24 available in 2 lengths.

HDA 231 Bolt down series has 11mm holes with a 60mm centre for a 90 base, and 90mm centre for 121 base.

### Materials:

**Base:** 304 stainless steel

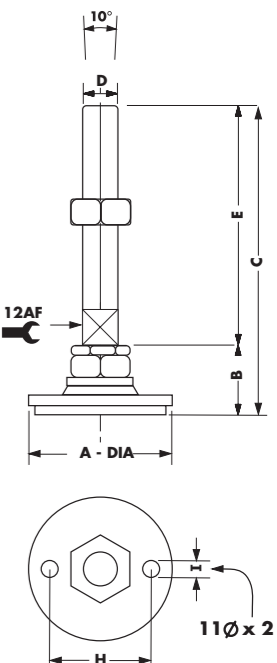
**Pad:** Synthetic rubber shore 73

**Stud:** 304 stainless steel

**Locknuts:** 304 stainless steel

## HDA Standard Series 221 HDA Bolt-down Series 231

PART #	A BASE	B BASE HEIGHT	C OVERALL HEIGHT	D STUD	E THREAD LENGTH	F PIVOT ANGLE	G RATING	H
HDA221/90/M16/70	90	42	105	M16	63	10 deg	2000kg	60
HDA221/90/M16/170	90	42	205	M16	163	10 deg	2000kg	60
HDA221/90/M20/70	90	45	100	M20	60	10 deg	3000kg	60
HDA221/90/M20/170	90	45	200	M20	160	10 deg	3000kg	60
HDA221/90/M24/70	90	50	100	M24	60	10 deg	4000kg	60
HDA221/90/M24/170	90	50	200	M24	160	10 deg	4000kg	60
HDA221/125/M16/70	125	42	105	M16	63	10 deg	2000kg	60
HDA221/125/M16/170	125	42	205	M16	163	10 deg	2000kg	60
HDA221/125/M20/70	125	45	100	M20	60	10 deg	3000kg	60
HDA221/125/M20/170	125	45	200	M20	160	10 deg	3000kg	60
HDA221/125/M24/70	125	50	100	M24	60	10 deg	4000kg	60
HDA221/125/M24/170	125	50	200	M24	160	10 deg	4000kg	60



# HDR A-justa-foot

## HDR = Heavy Duty Riveted (Stainless Steel 304) Series

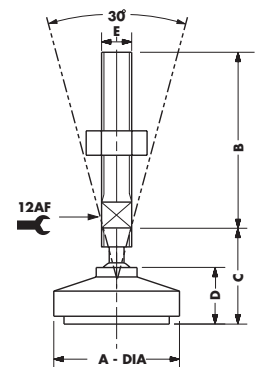
The HDR A-justa-foot is a HEAVY DUTY ALL METAL multi adjustable pedestal foot. Riveted from below the foot to allow upward pressure and is ideal for the chemical, industrial and food industry applications. The complete unit including foot, ball and stud are 304 stainless steel making it perfect for wash down areas.

The HDR A-justa-foot range comes with a antislip pad and locknut.

PART #	SIZE	A BASE	B THREAD LENGTH	C OVERALL HEIGHT	D BASE HEIGHT	E THREAD SIZE	F RATING
HDR40/M10/80	60/M10/80	40	80	19	15	M10	700kg
HDR60/M12/80	60/M12/80	60	80	19	15	M12	1200kg
HDR60/M12/180	60/M12/180	60	180	19	15	M12	1200kg
HDR60/M16/80	60/M16/80	60	80	23	15	M16	2000kg
HDR60/M16/180	60/M16/180	60	180	23	15	M16	2000kg
HDR90/M16/80	90/M16/80	90	80	23	15	M16	2000kg
HDR90/M16/180	90/M16/180	90	180	23	15	M16	2000kg
HDR90/M20/100	90/M20/80	90	100	23	15	M20	3500kg
HDR90/M20/180	90/M20/180	90	180	23	15	M20	3500kg



HDR90/M16/180



# CF A-justa-foot

The CF Range is for domestic, commercial and light industrial applications. There are two styles.

The CFR Range has a TPR rubber foot giving anti slip and anti vibration qualities and has locknut.

The CFP range is made of Nylon 6 plastic and has locknut.



### CFP Foot

**Materials:**

**Base:**

Nylon 6

**Stud and locknut:**

Zinc plated mild steel  
or 304 stainless steel



### CFR Foot

**Materials:**

**Base:**

Synthetic Rubber shore 73

**Stud and locknut:**

Zinc plated mild steel  
or 304 stainless steel

## CFR FOOT Zinc plated or 304 Stainless Steel

	Base Diameter	Base Height	OA Height	Stud	Thread Length	Stud Material	Rating
CFR40/22/M8/28	22	10	38	M8	28	ZP	150kg
CFR40/22/M8/38	22	10	48	M8	38	ZP	150kg
CFR41/22/M8/33	22	10	43	M8	33	SS	150kg
CFR41/22/M8/38	22	10	48	M8	28	SS	150kg
CFR41/40/M8/48	40	10	58	M8	48	SS	150kg

## CFP FOOT Zinc Mild Steel or 304 Stainless Steel

	Base Diameter	Base Height	OA Height	Stud	Thread Length	Stud Material	Rating
CFP40/40/M12/55	40	25	82	M12	55	ZP	1000kg
CFP41/40/M12/55	40	25	82	M12	55	SS	1000kg